

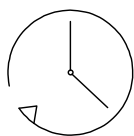
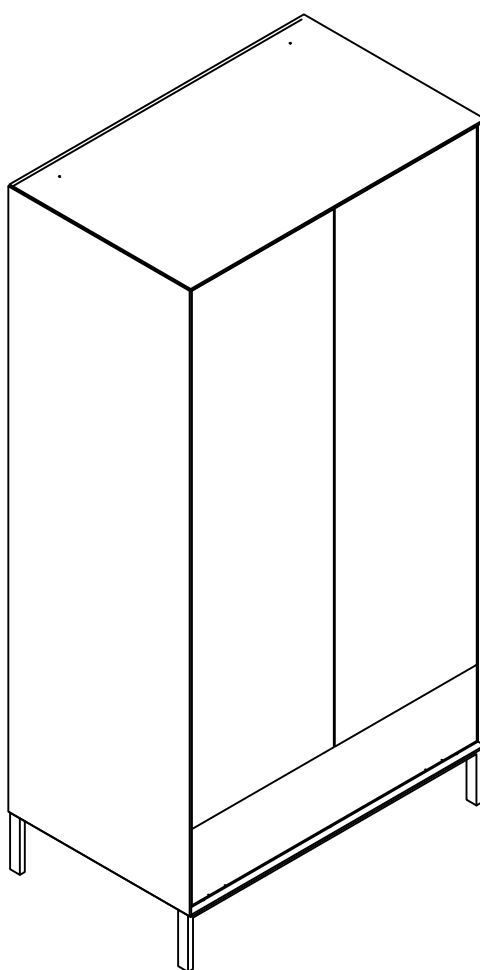
# DUSK.COM

LIVING | BEDROOM | DINING

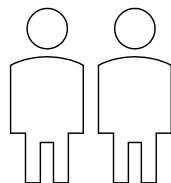
Range Name:NOVA

Box1 dimensions:L193xW67xH17.5(cm)

## Nova Wardrobe



**Up to 60 minutes  
assembly time**



**Two person  
assembly**

**This product is intended for domestic use only, not commercial purposes.**

## IMPORTANT

### ASSEMBLY TIP

Before you begin, it's best to identify all of the parts and fittings to build your Nova Wardrobe frame. We advise laying these out on the floor to check you have everything, and to familiarise yourself with all of the parts and fittings before building.

### TOP TIP

We recommend that you assemble the Nova Wardrobe in the room you'd like it to be located. This will help prevent any risk of damage to the frame whilst moving it.

### SAFETY AND CARE

It's important to ensure children and animals are kept away from the assembly area, as there are small components used in this product which could present a choking hazard. All plastic and wrapping materials should also be kept away from children and animals to prevent any risk of suffocation.

### HELP AND SUPPORT

Please contact our customer service team on 0113 519 0311 if you have any questions or issues with your purchase.

### RECYCLING

Please ensure that packaging is disposed of in a safe and environmentally friendly way, and recycle where possible. Please keep your assembly instructions safe to refer back to in the future.

### CARE AND MAINTENANCE:

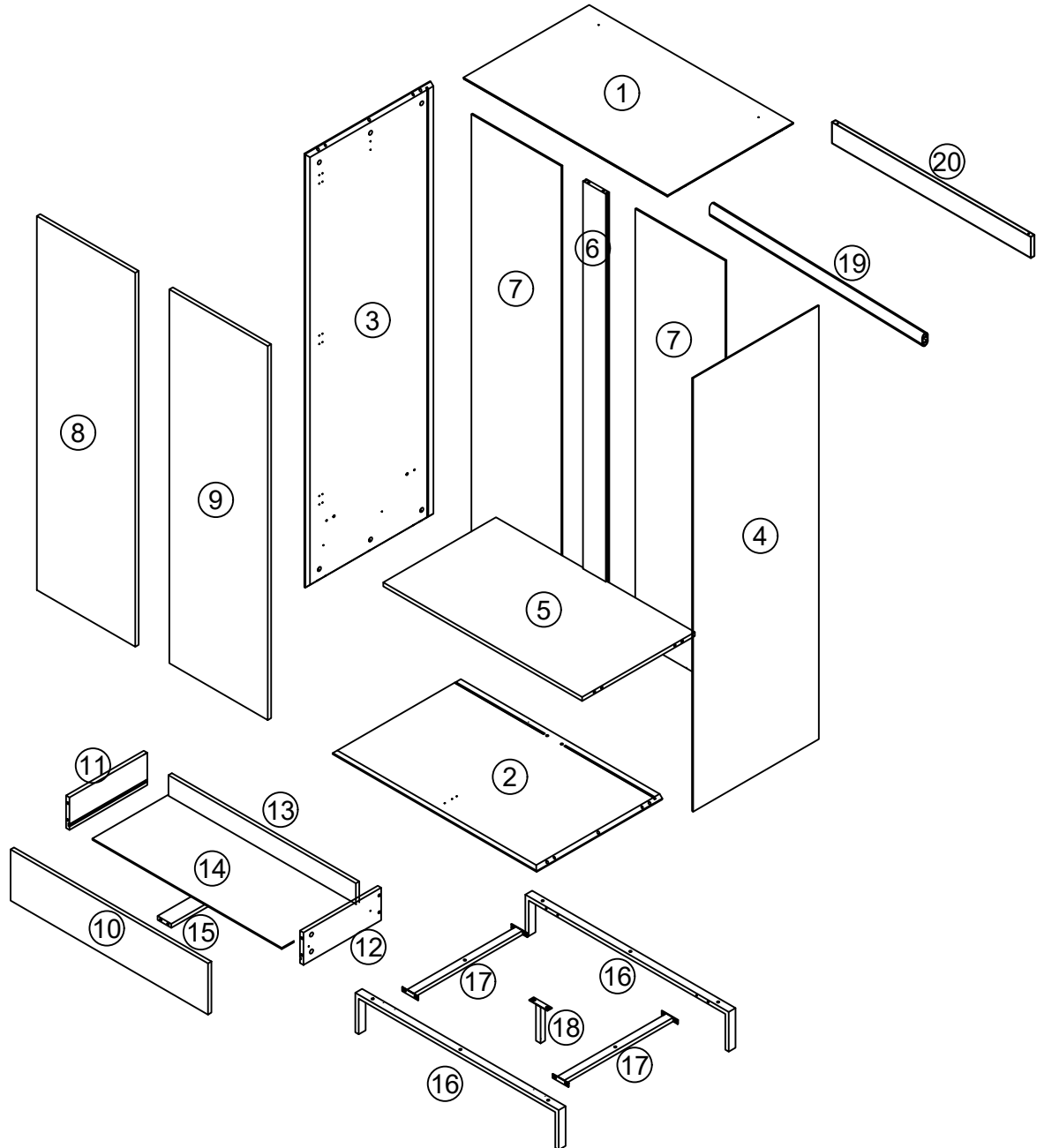
1. Only clean using a damp cloth, do not use bleach or abrasive cleaners as they may damage the finish over time.
2. Do not use a very wet cloth or allow any liquid to contact with the veneer for a long period of time. Wipe any spillage immediately. Absorption can cause wood to warp or finishes to de-laminate.
3. Do not scrub or rub the surface when cleaning.
4. Do not drag the Nova Wardrobe when moving, lift it off the floor instead.
5. Use a placemat or a coaster when putting hot items (e.g. hot drinks and dishes) on the wood surface.
6. It is not recommended to place the item next to sources of heat such as radiators, fires or directly exposed to sunlight. This may cause the wood to crack, split or fade due to the heat and humidity.
7. Wood will mellow and change colour over time, we recommend that ornaments and items placed on the surface to be moved regularly to prevent uneven mellowing.
8. Regularly check all fixings to ensure none have come loose. Re-tighten if necessary.
9. Avoid sharp items such as a screwdriver or any pointy tools.
10. Dispose of all packaging carefully and responsibly - recycle where possible.

# Parts List

Before you begin building your Nova Wardrobe, please take a moment to read through the instructions and make sure that you have all the relevant parts listed on the parts check list.

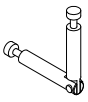
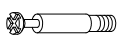





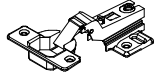

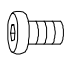
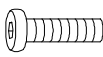

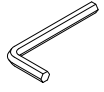
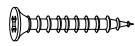
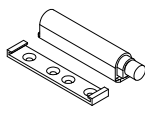


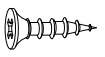

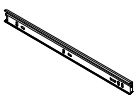
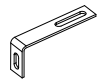


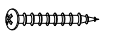
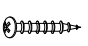
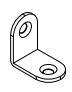
Part Number	Part Description	Quantity
①	Top panel	1 pc
②	Bottom panel	1 pc
③	Left side panel	1 pc
④	Right side panel	1 pc
⑤	Shelf panel	1 pc
⑥	Centre support	1 pc
⑦	Back panel	2 pcs
⑧	Left door	1 pc
⑨	Right door	1 pc
⑩	Drawer front	1 pc

Part Number	Part Description	Quantity
⑪	Drawer left panel	1 pc
⑫	Drawer right panel	1 pc
⑬	Drawer back panel	1 pc
⑭	Drawer bottom	1 pc
⑮	Drawer floor	1 pc
⑯	Legs	2 pcs
⑰	Side leg support	2 pcs
⑱	Centre leg	1 pc
⑲	Clothes poles	1 pc
⑳	Connection panel	1 pc



# Fittings

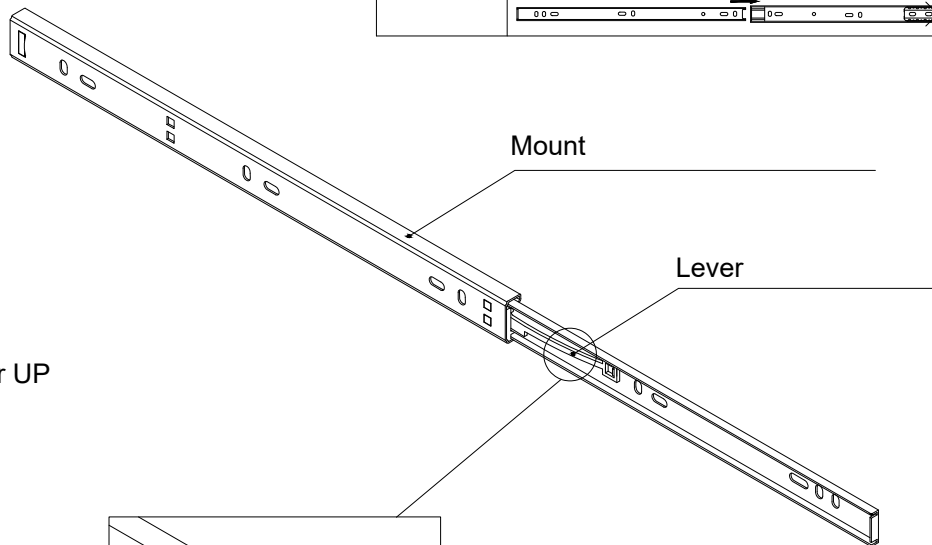
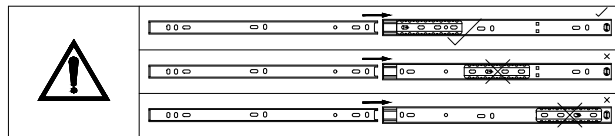
Please check you have all the fittings listed below with your product

<p><b>A</b></p> 	<p><b>B</b></p> 	<p><b>C</b></p> 	<p><b>D</b></p> 	<p><b>E</b></p> 	<p><b>F</b></p> 
<p>M6x84 CAM Lock Screw 12pcs+1pc extra</p>	<p>M6x44 CAM Lock Screw 12pcs+1pc extra</p>	<p>Φ15x11mm CAM Lock 36pcs+2pcs extra</p>	<p>M3.5x14mm Screw 37pcs+2pcs extra</p>	<p>Φ6x25mm Wooden Dowel 8pcs+1pc extra</p>	<p>Φ8x30mm Wooden Dowel 4pcs +1pc extra</p>
<p><b>G</b></p> 	<p><b>H</b></p> 	<p><b>I</b></p> 	<p><b>J</b></p> 	<p><b>K</b></p> 	<p><b>L</b></p> 
<p>M7x50mm Screw 4pcs</p>	<p>Hinge 6pcs</p>	<p>Clothes Tray 2pcs</p>	<p>M6x12mm Bolt 10pcs+1pc extra</p>	<p>M6x25mm Bolt 8pcs +1pc extra</p>	<p>15x9mm Plastic Buckle 12pcs+1pc extra</p>
<p><b>M</b></p> 	<p><b>N</b></p> 	<p><b>O</b></p> 	<p><b>P</b></p> 	<p><b>Q</b></p> 	<p><b>R</b></p> 
<p>4mm Allen Key 1pc</p>	<p>M3.5x35mm Screw 6pcs+1pc extra</p>	<p>83x14x19mm Pusher 3pcs</p>	<p>Ø16mm Screw and Washer 3pcs</p>	<p>Φ20mm Cover 16pcs+2pcs extra</p>	<p>M4x14mm Screw 40pcs+2pcs extra</p>
<p><b>S</b></p> 	<p><b>T</b></p> 	<p><b>U</b></p> 	<p><b>V</b></p> 	<p><b>W</b></p> 	<p><b>X</b></p> 
<p>M6 Adjustable Foot 1pc</p>	<p>340mm Slide 2pcs</p>	<p>76x32mm L-shaped Bracket 2pcs</p>	<p>M4x12mm Screw 2pcs</p>	<p>Φ8mm Expansion Tube 2pcs</p>	<p>M4x40mm Screw 2pcs</p>
<p><b>Y</b></p> 	<p><b>Z</b></p> 				
<p>M4x25mm Screw 4pcs</p>	<p>25x25x16mm Corner code 4pcs</p>				

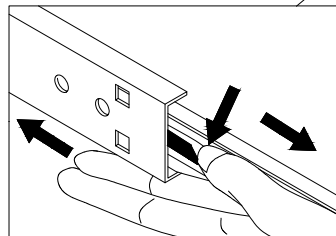
**Slides Must Be Separated Before Assembly.  
After Separated, Set Aside Until Needed for Assembly.**

**Pay attention when connecting !  
The sliding module must be at the front end.**

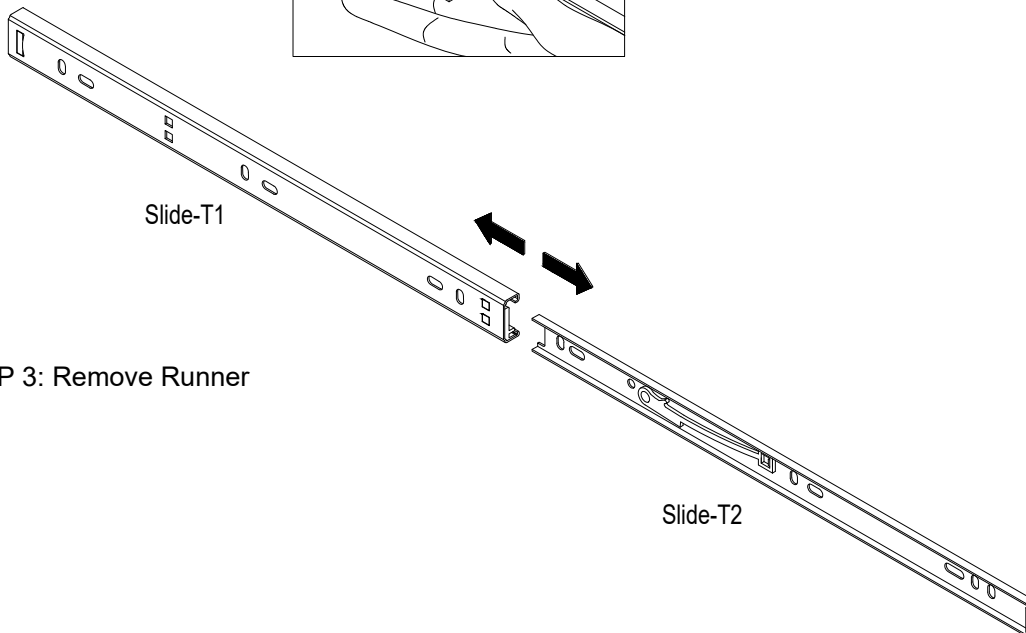
STEP 1 : Extend Slide



STEP 2: Push Lever UP

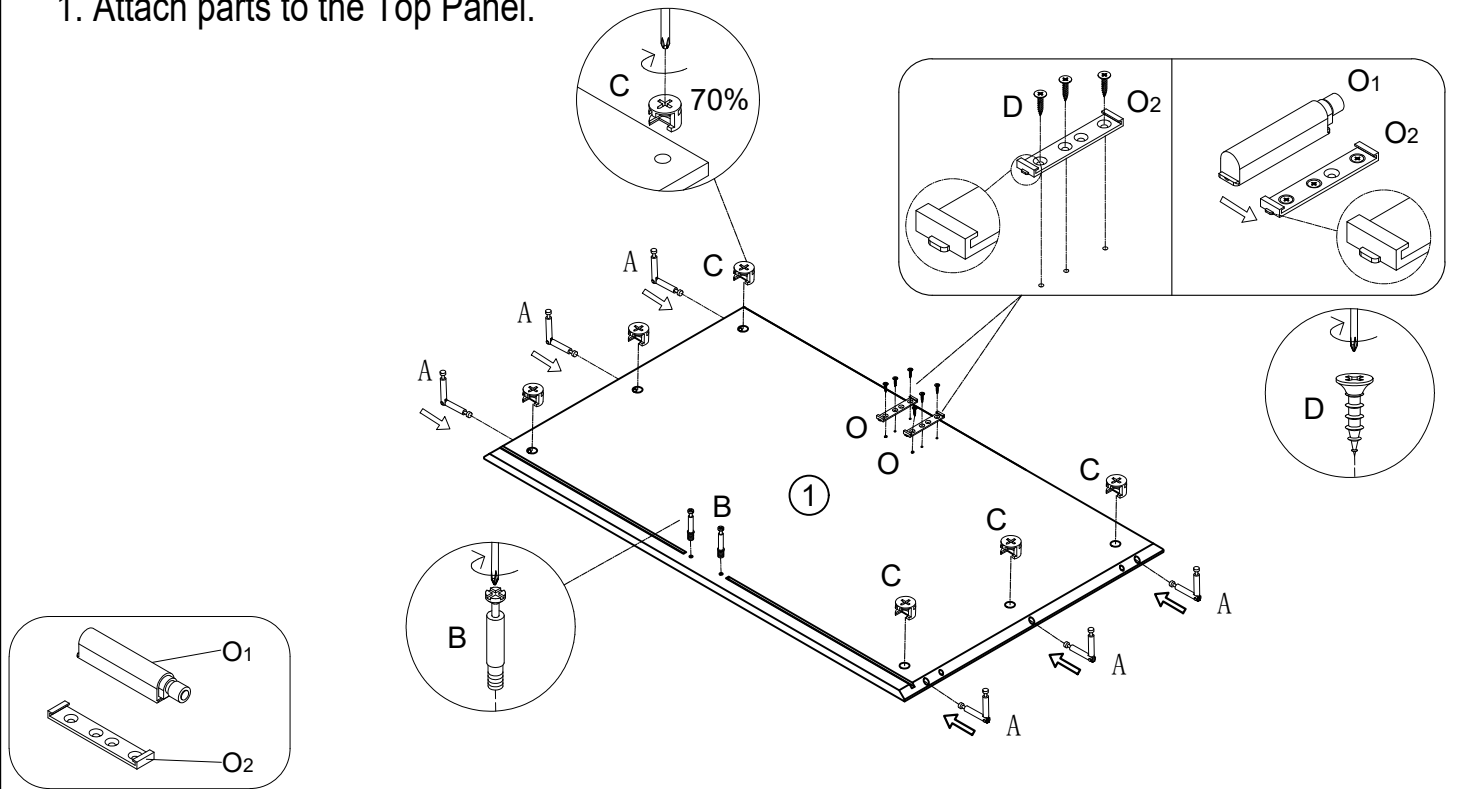


**Push lever for the left of drawer ,  
press the lever for the right of drawer .**



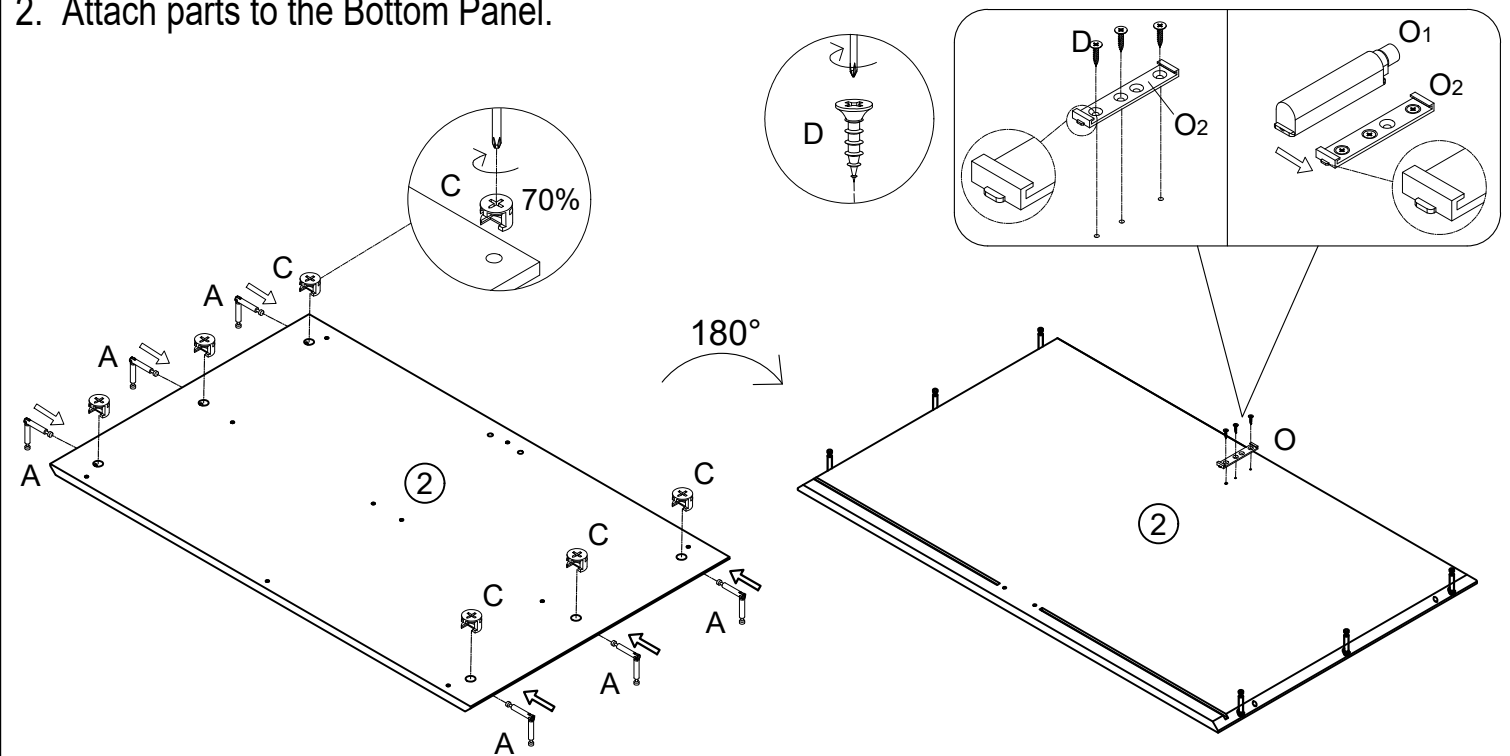
STEP 3: Remove Runner

## 1. Attach parts to the Top Panel.



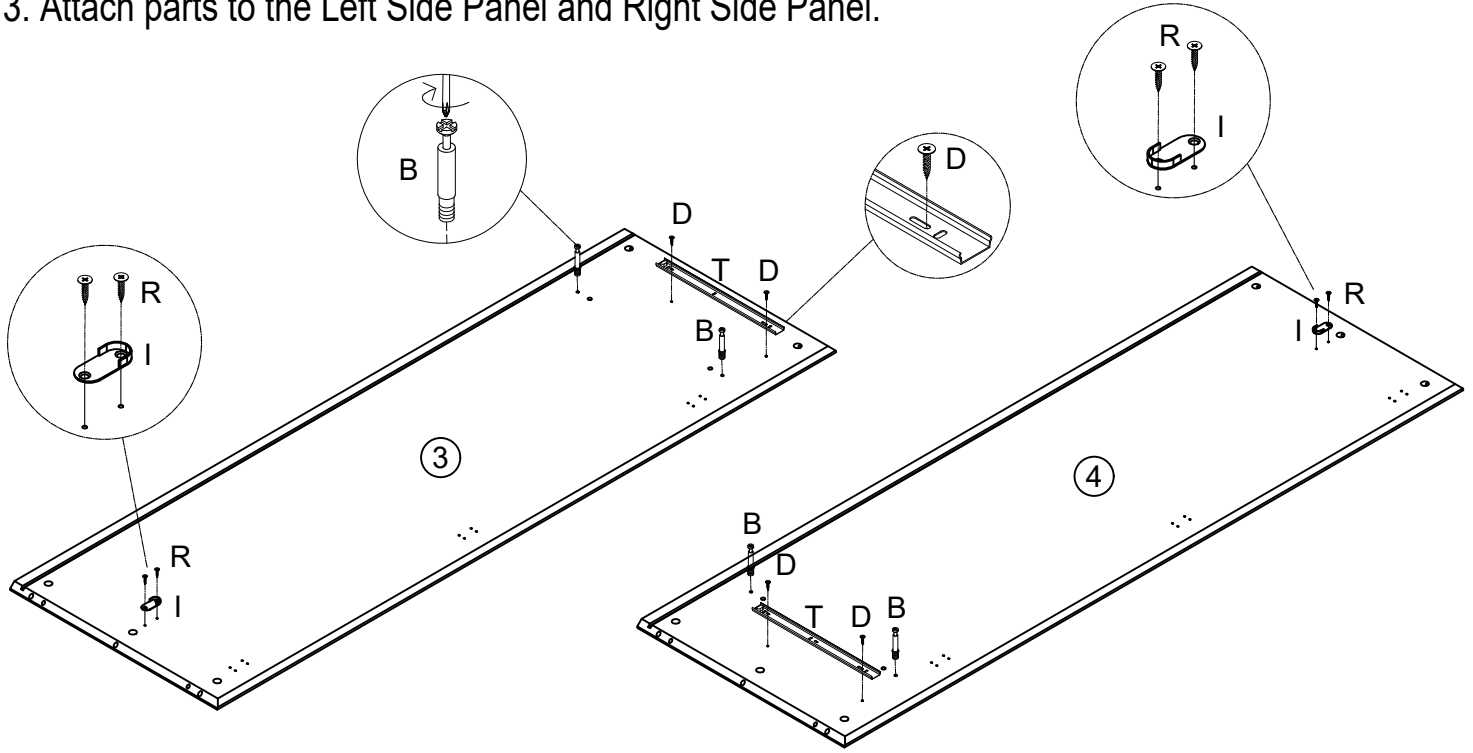
A	B	C	O	D
M6x84 CAM Lock Screw 6pcs	M6x44 CAM Lock Screw 2pcs	Φ15x11mm CAM Lock 6pcs	83x14x19mm Pusher 2pcs	M3.5x14mm Screw 6pcs

## 2. Attach parts to the Bottom Panel.



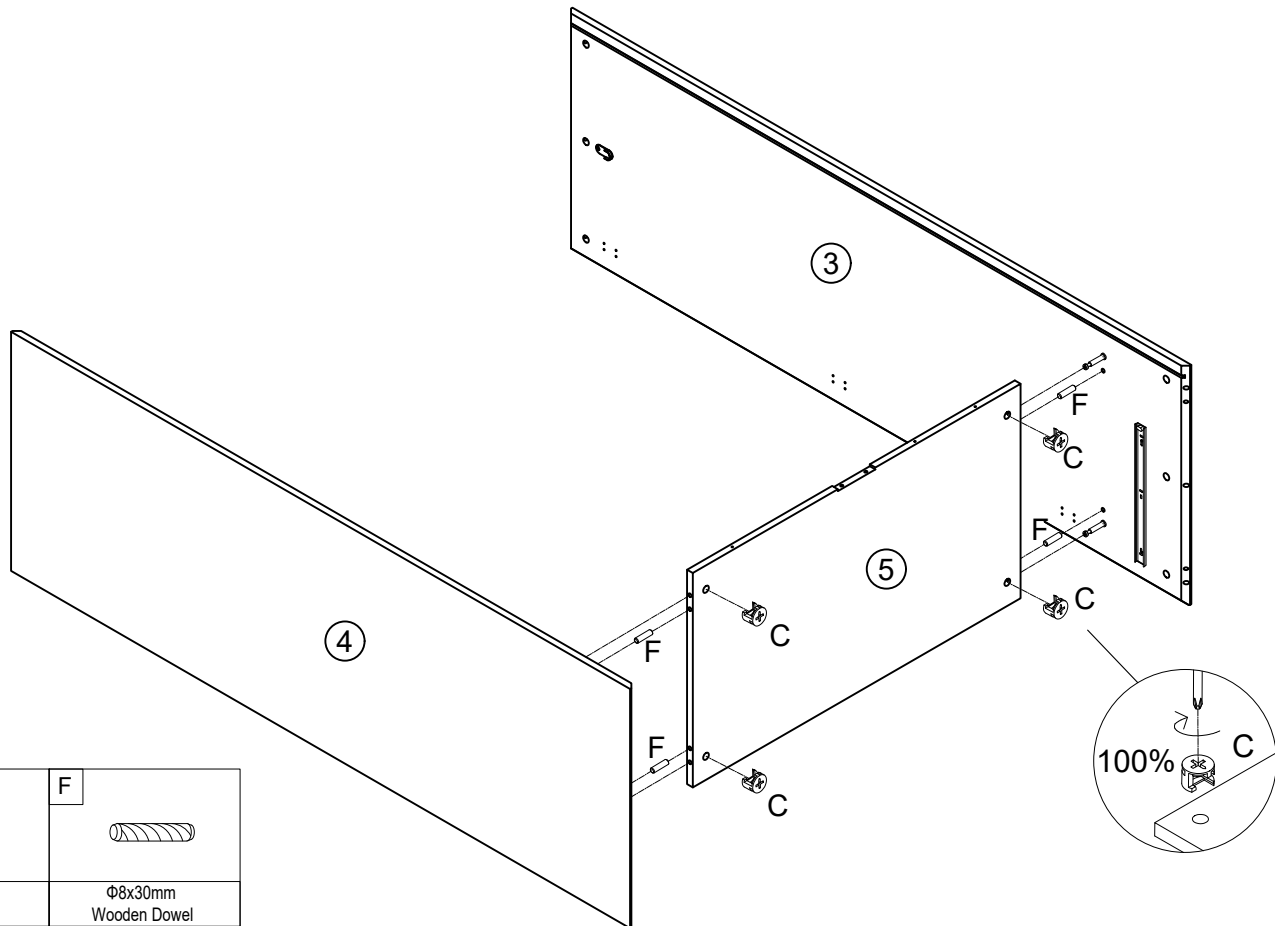
A	C	O	D
M6x84 CAM Lock Screw 6pcs	Φ15x11mm CAM Lock 6pcs	83x14x19mm Pusher 1pc	M3.5x14mm Screw 3pcs

### 3. Attach parts to the Left Side Panel and Right Side Panel.



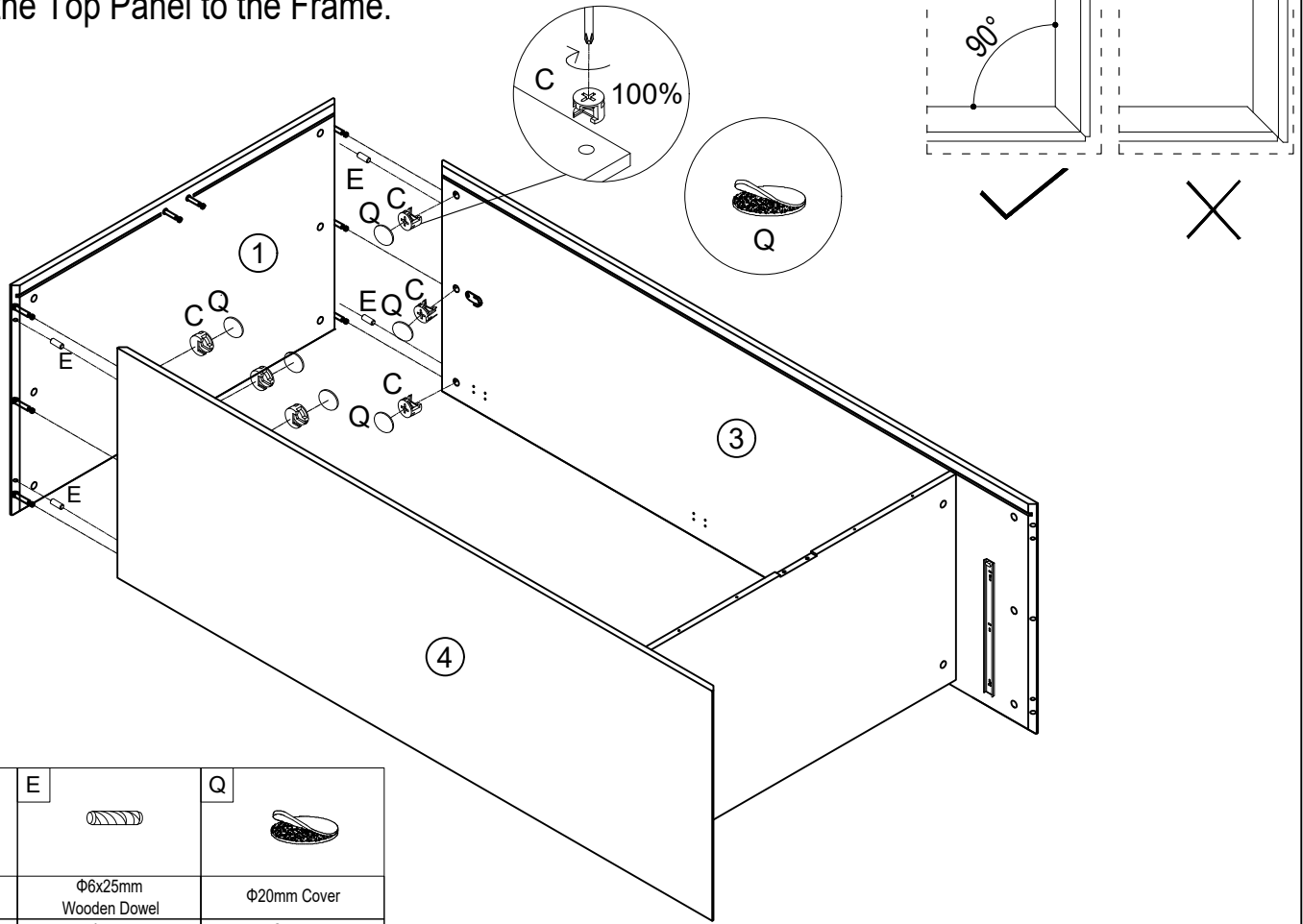
B	D	R	I	T	
M6x44 CAM Lock Screw	M3.5x14mm Screw	M4x14mm Screw	Clothes Tray	Slide-T1	
4pcs	4pcs	4pcs	2pcs	2pcs	

### 4. Attach the Shelf Panel to the Left Side Panel and Right Side Panel.



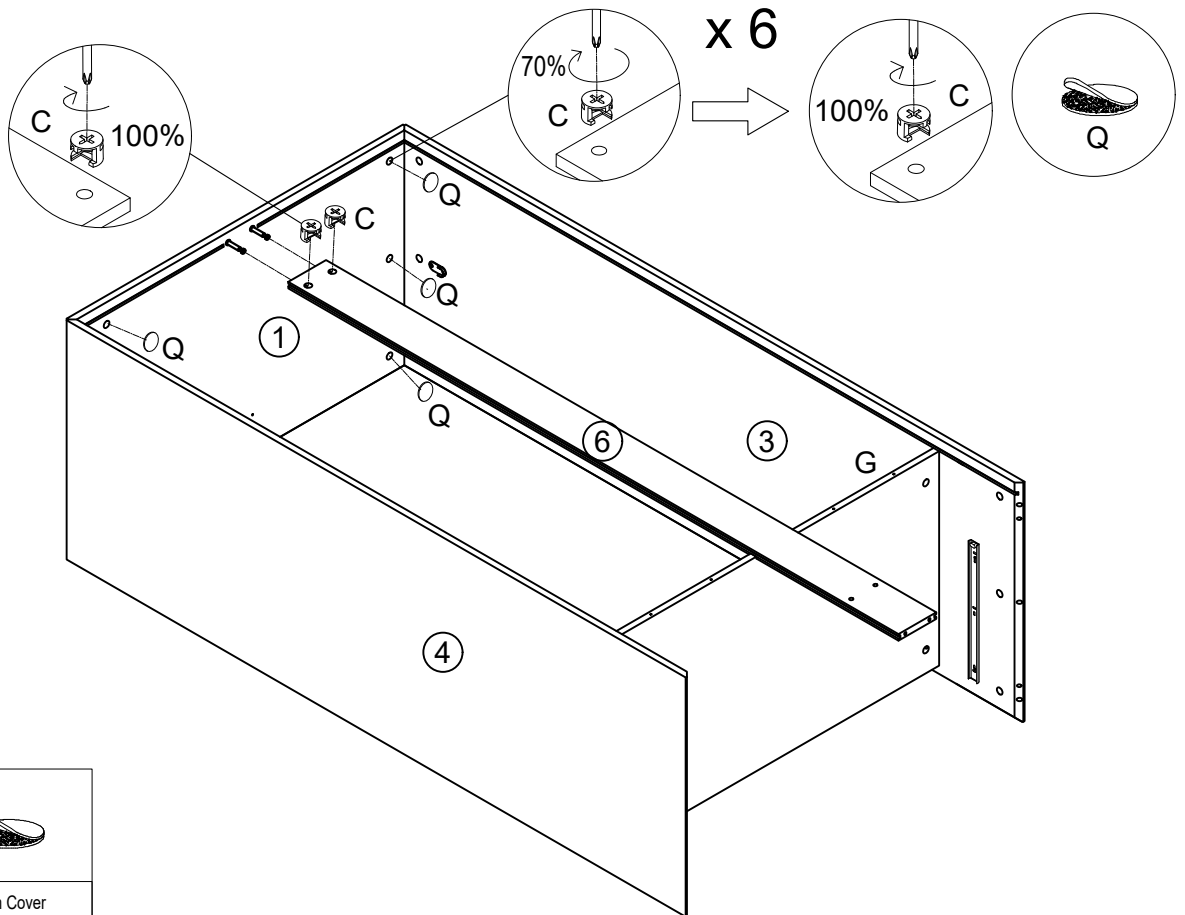
C	F
Φ15x11mm CAM Lock	Φ8x30mm Wooden Dowel
4pcs	4pcs

### 5. Attach the Top Panel to the Frame.



C	E	Q
Φ15x11mm CAM Lock	Φ6x25mm Wooden Dowel	Φ20mm Cover
6pcs	4pcs	6pcs

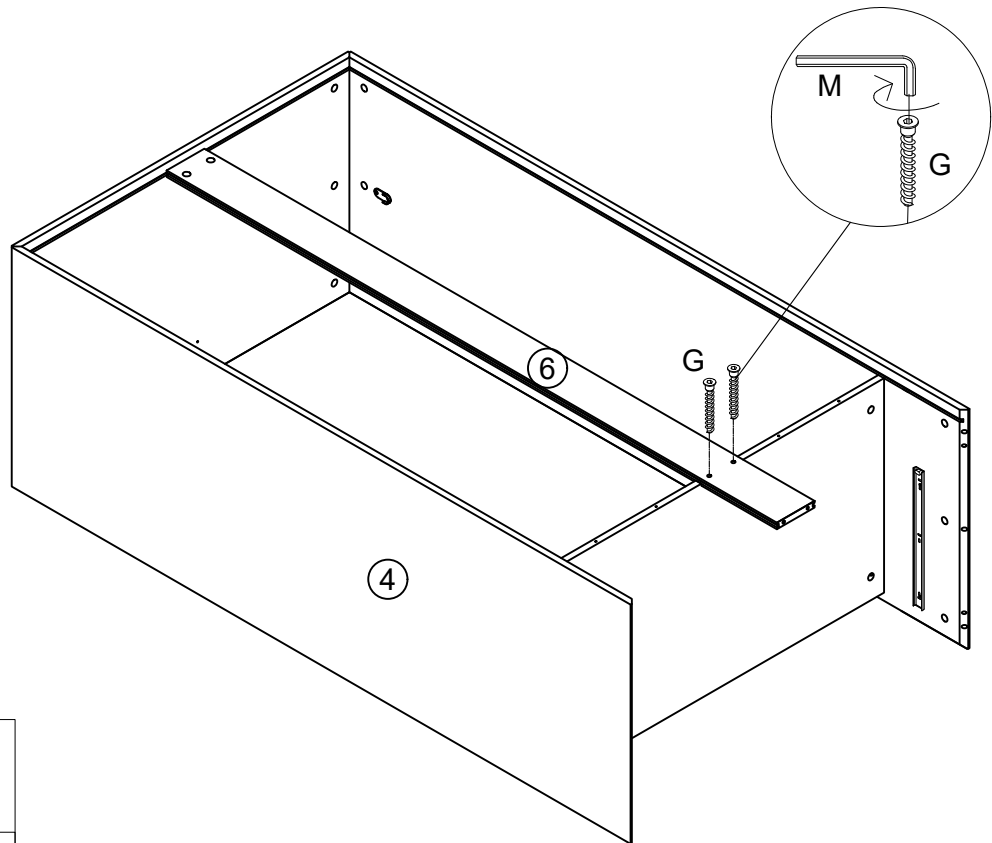
### 6. Attach the Centre Support to the Frame.





C	Q
Φ15x11mm CAM Lock	Φ20mm Cover
2pcs	6pcs

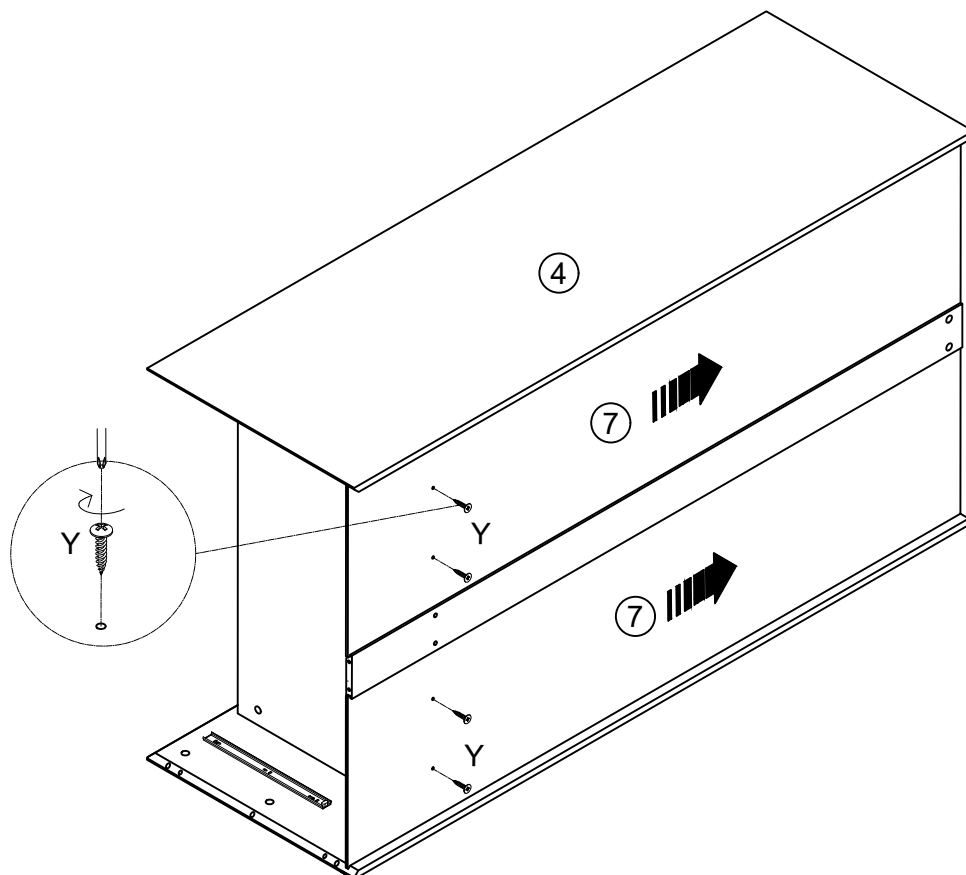



## 7. Attach parts to the Centre Support.



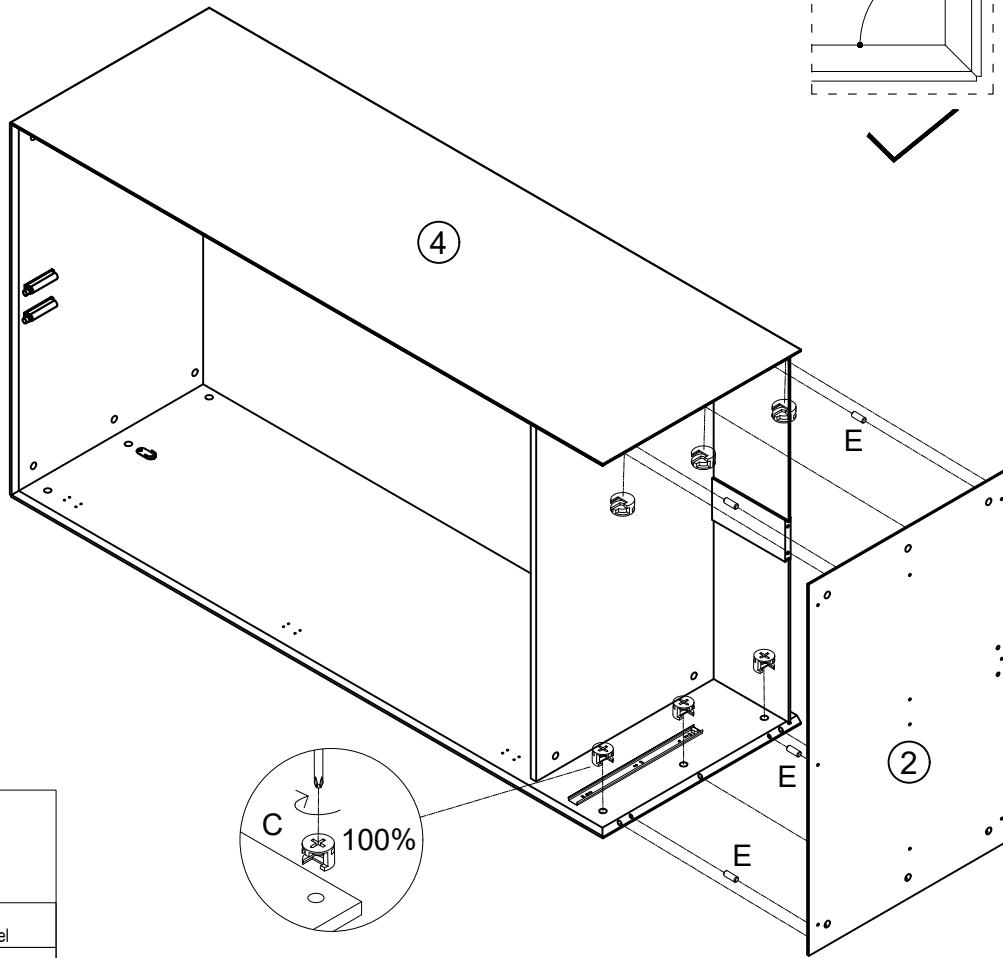
<p>G</p> 	<p>M</p> 
<p>M7x50mm Screw</p>	<p>4mm Allen Key</p>
<p>2pcs</p>	<p>1pc</p>

## 8. Attach the Back Panels into the Frame.



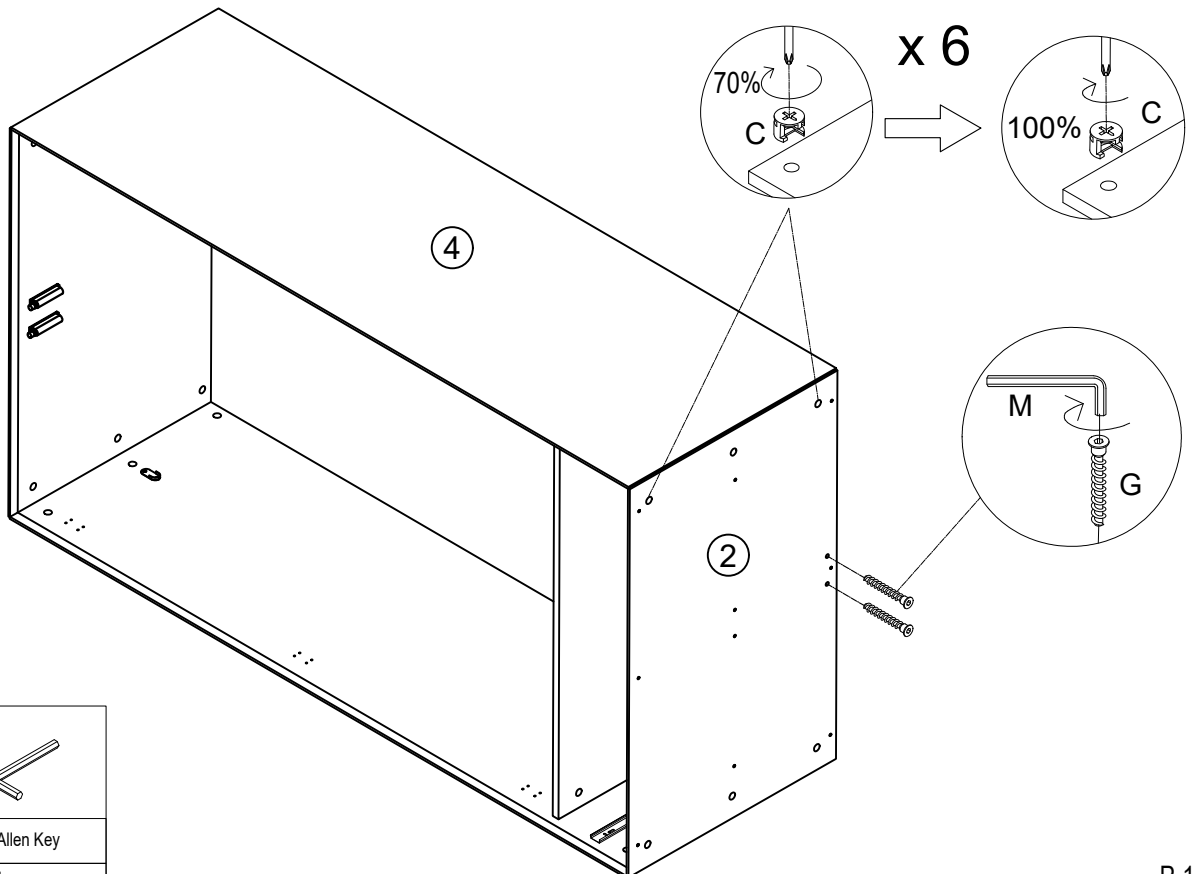
<p>Y</p> 
<p>M4x25mm Screw</p>
<p>4pcs</p>

### 9. Attach the Bottom Panel to the Frame.



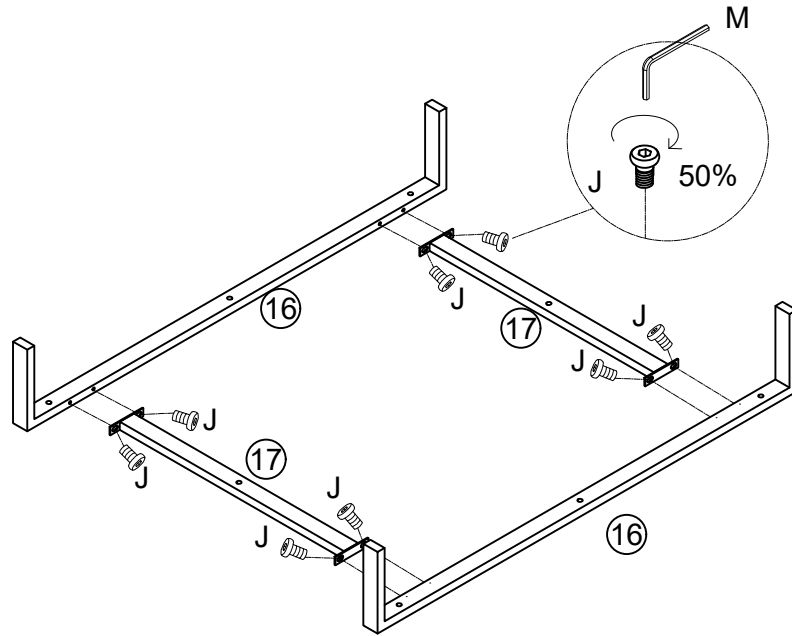
C	E
Φ15x11mm CAM Lock 6pcs	Φ6x25mm Wooden Dowel 4pcs


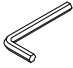
### 10. Lock the CAM Locks tightly.



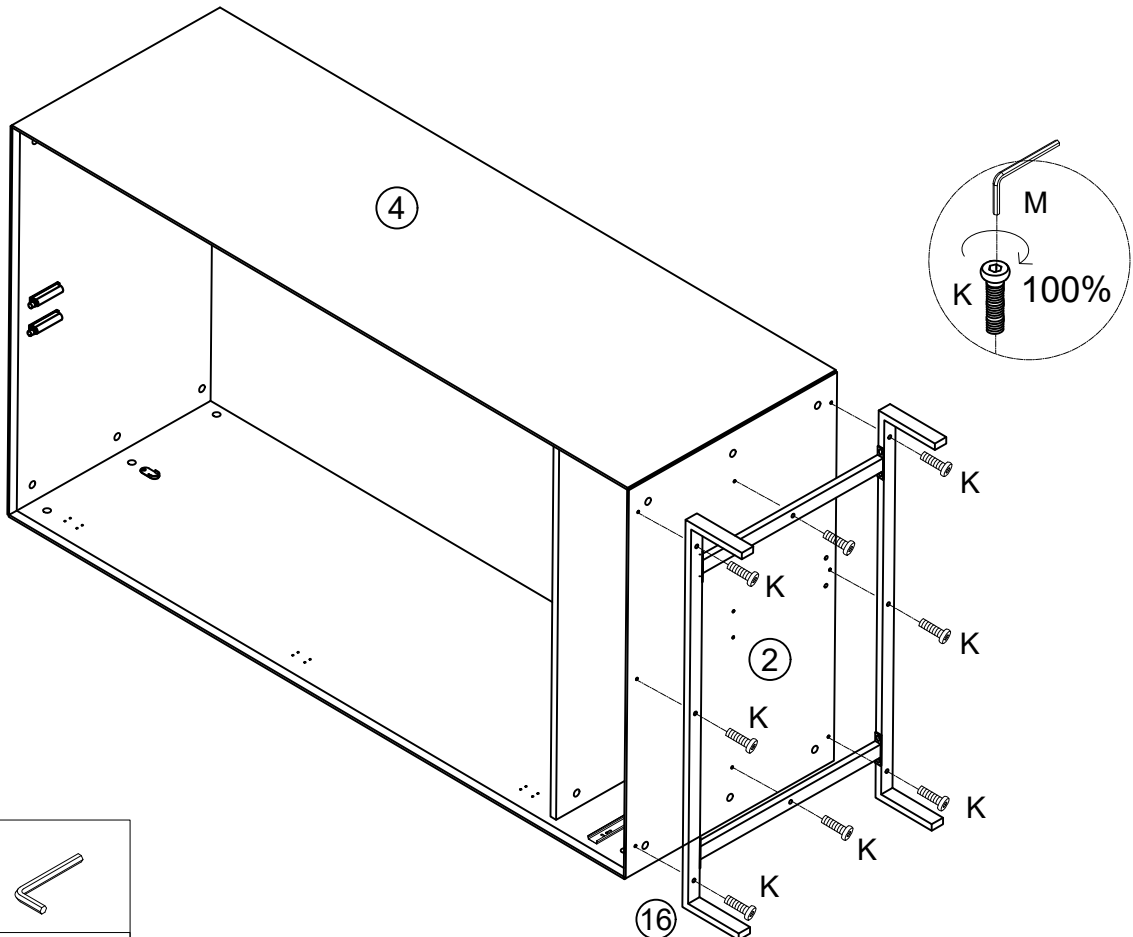
G	M
M7x50mm Screw 2pcs	4mm Allen Key 1pc

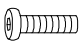
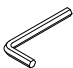
## 11. Attach the Legs to the Leg Supports.



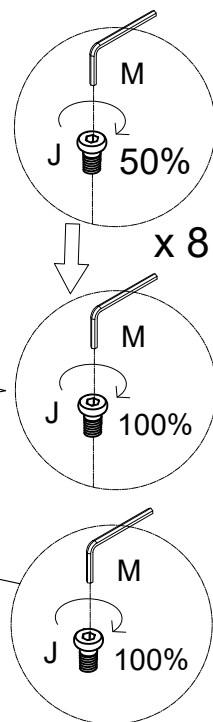
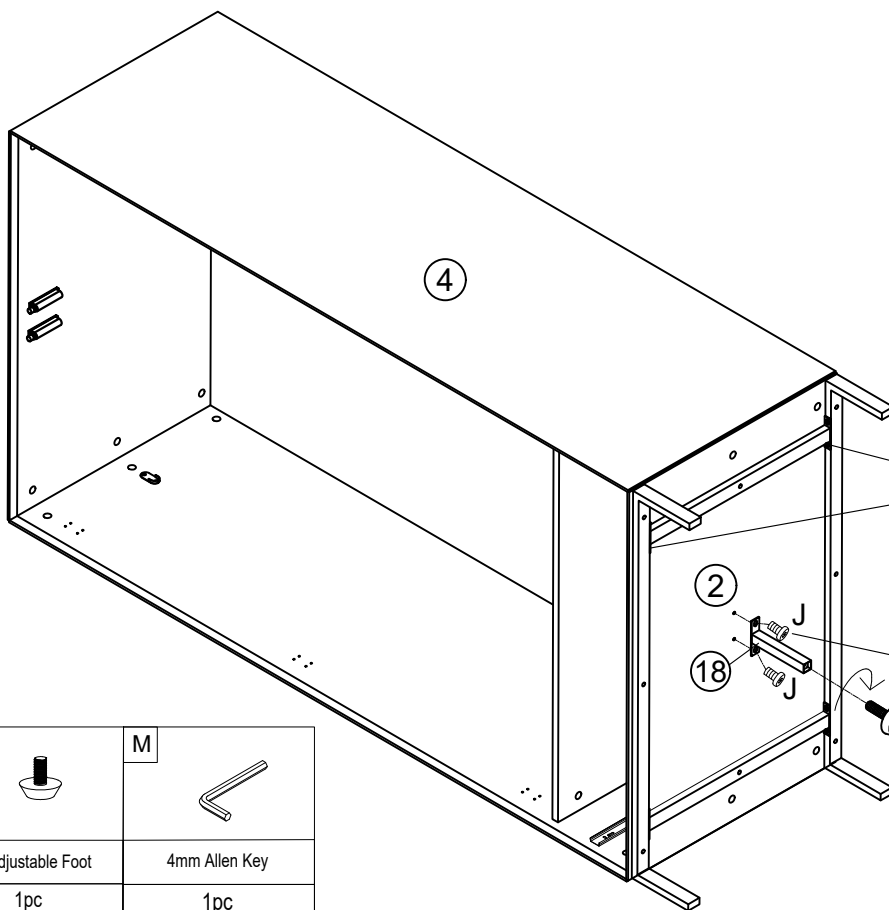
J	M
	
M6x12mm Bolt	4mm Allen Key
8pcs	1pc

## 12. Attach the Legs to the Frame.



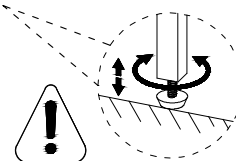
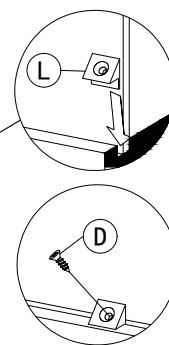
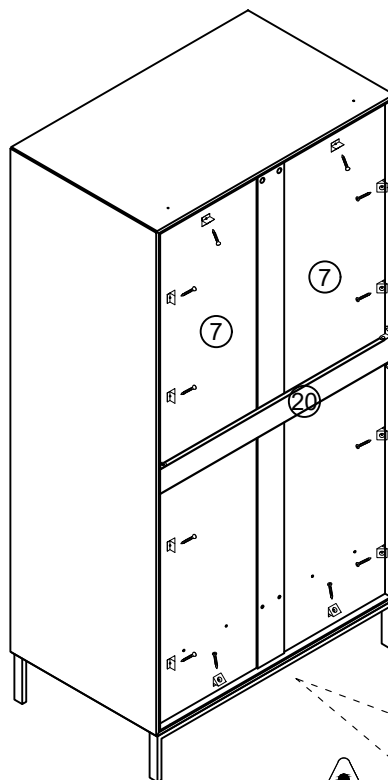
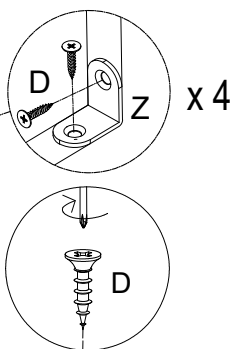
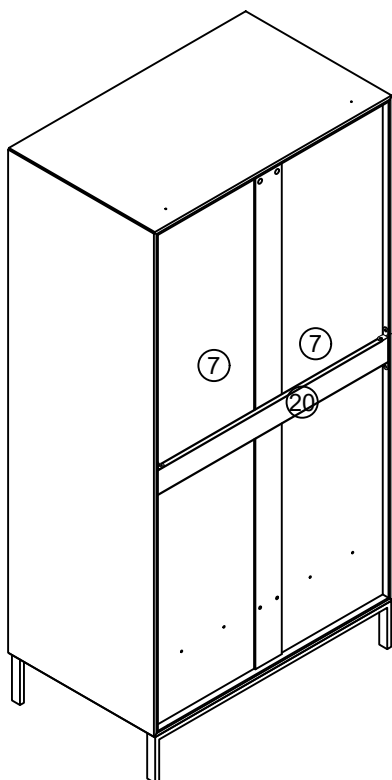
K	M
	
M6x25mm Bolt	4mm Allen Key
8pcs	1pc

13. Attach the Centre Leg to the frame and Lock the Bolts tightly.



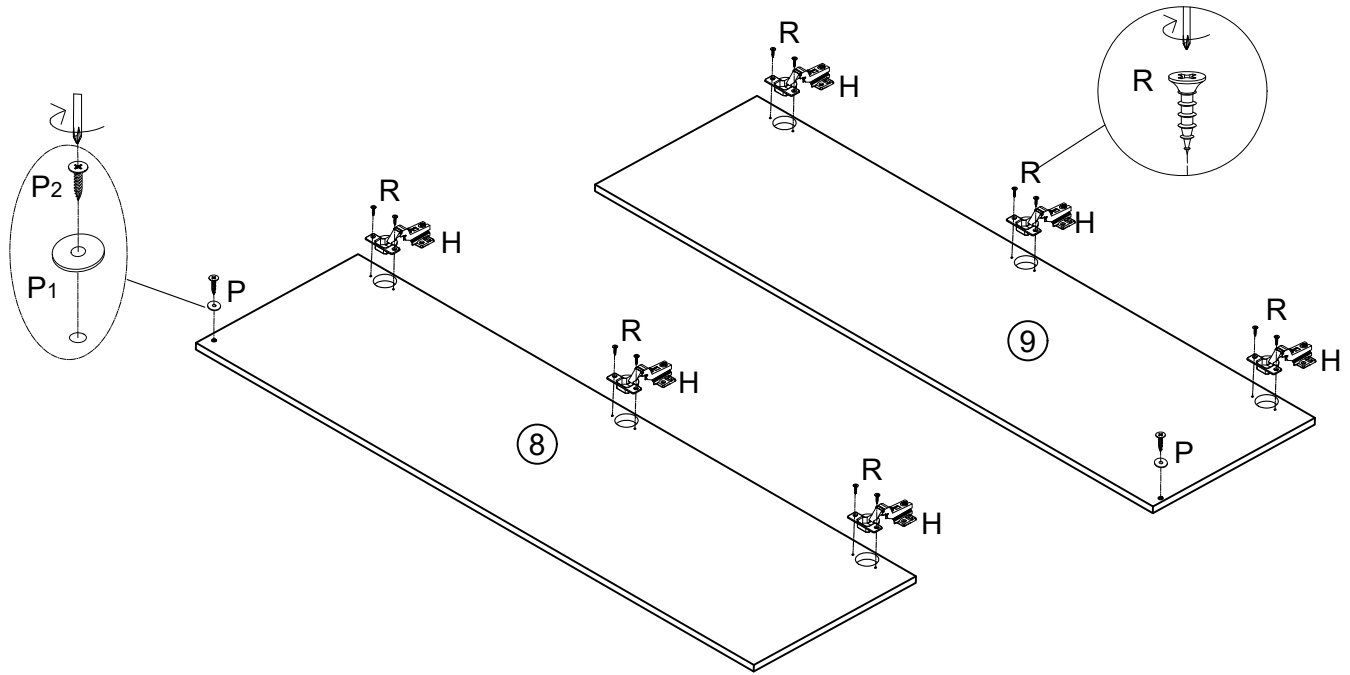
J	S	M
M6x12mm Bolt	M6 Adjustable Foot	4mm Allen Key
2pcs	1pc	1pc


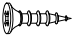

14. Attach the Connection panel and the Plastic Buckles.



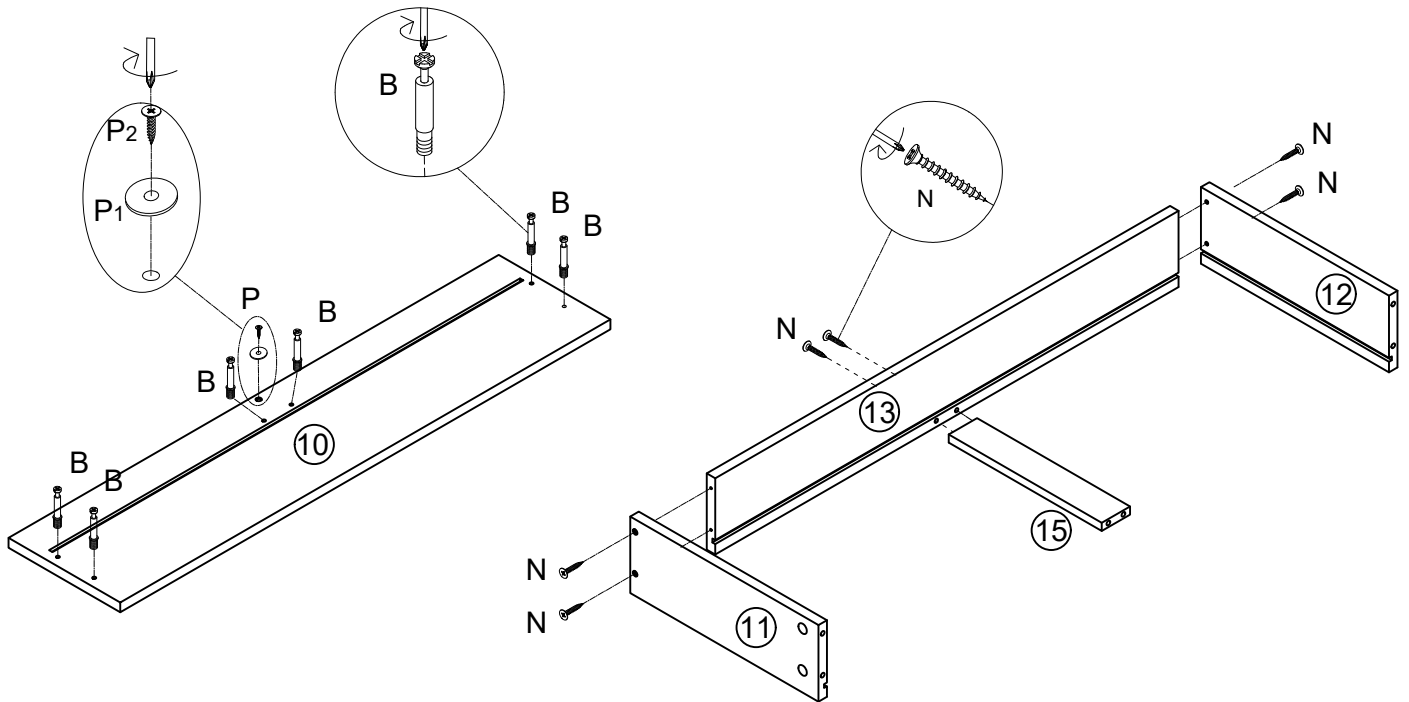
D	L	Z
M3.5x14mm Screw	15x9mm Plastic Buckle	25x25x16mm Corner code
20pcs	12pcs	4pcs


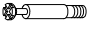
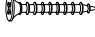
## 15. Attach parts to the Doors.



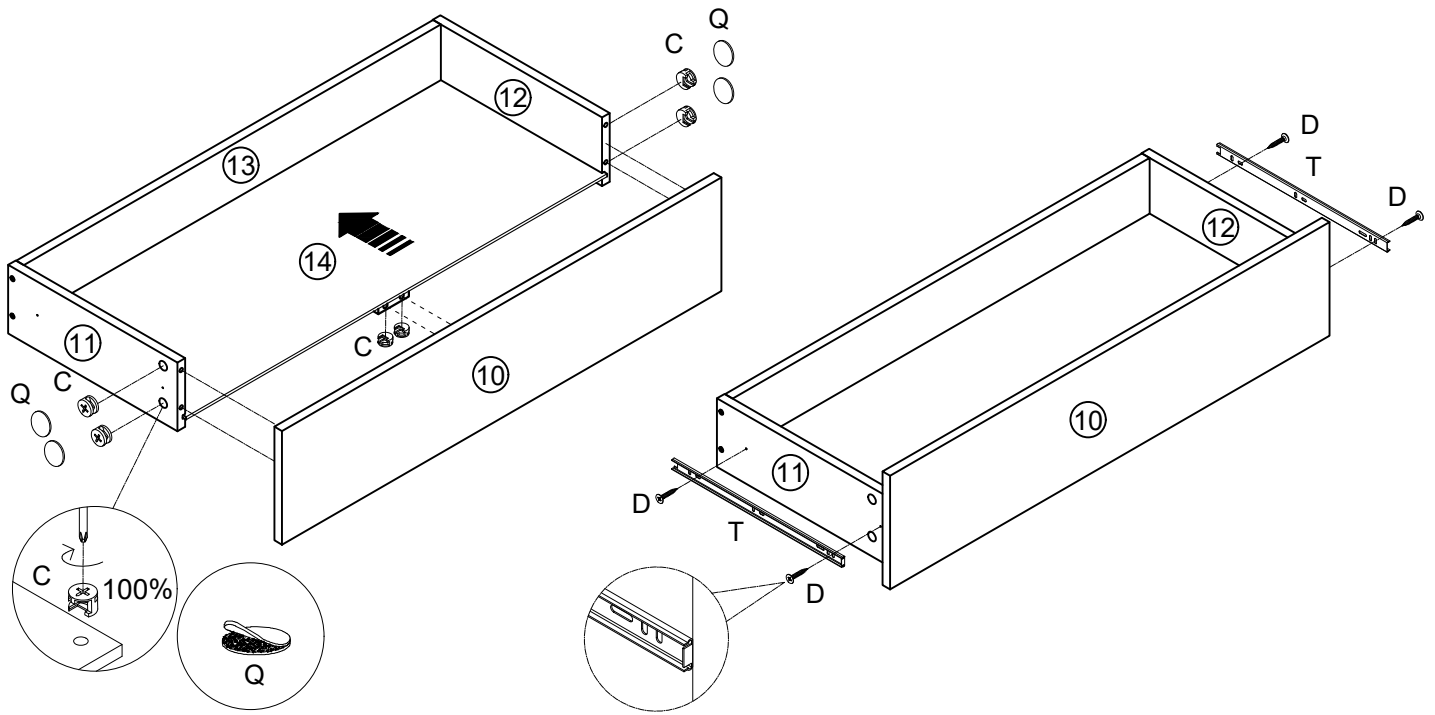
H	R	P
		
Hinge	M4x14mm Screw	Ø16mm Screw and Washer
6pcs	12pcs	2pcs





## 16. Attach parts to the drawer.

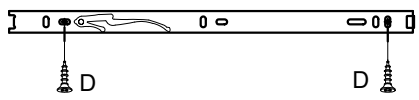


P	B	N
		
Ø16mm Screw and Washer	M6x44 CAM Lock Screw	M3.5x35mm Screw
1pc	6pcs	6pcs

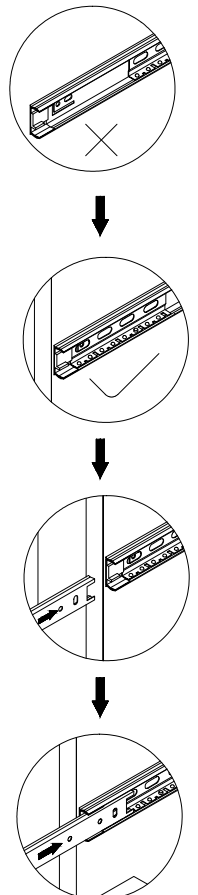
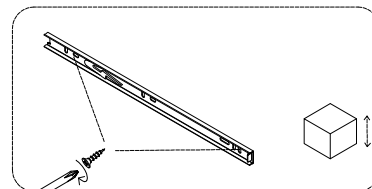
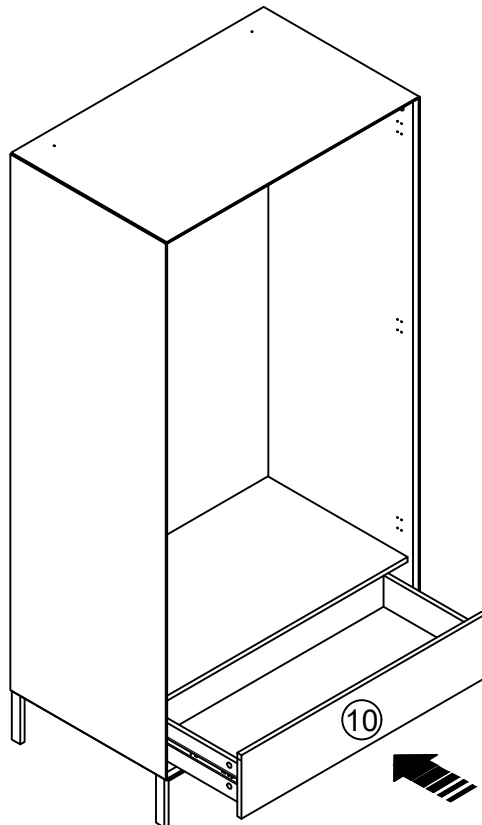
## 17. Assemble the drawer.



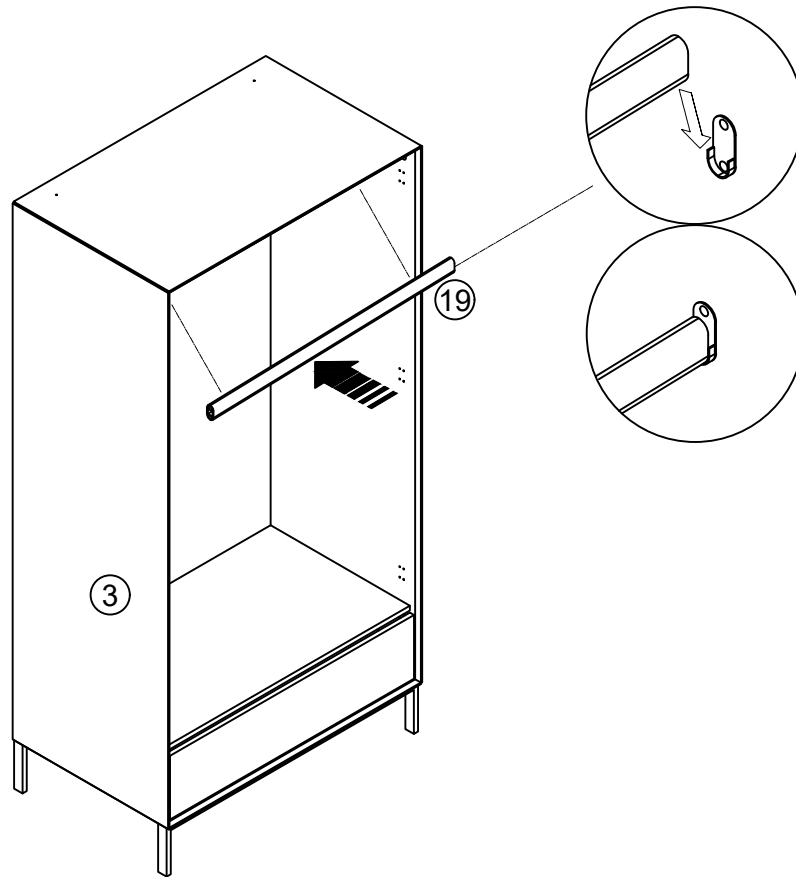
C	Q	D	T
			
Φ15x11mm CAM Lock	Φ20mm Cover	M3.5x14mm Screw	Slide-T2
6pcs	4pcs	4pcs	2pcs



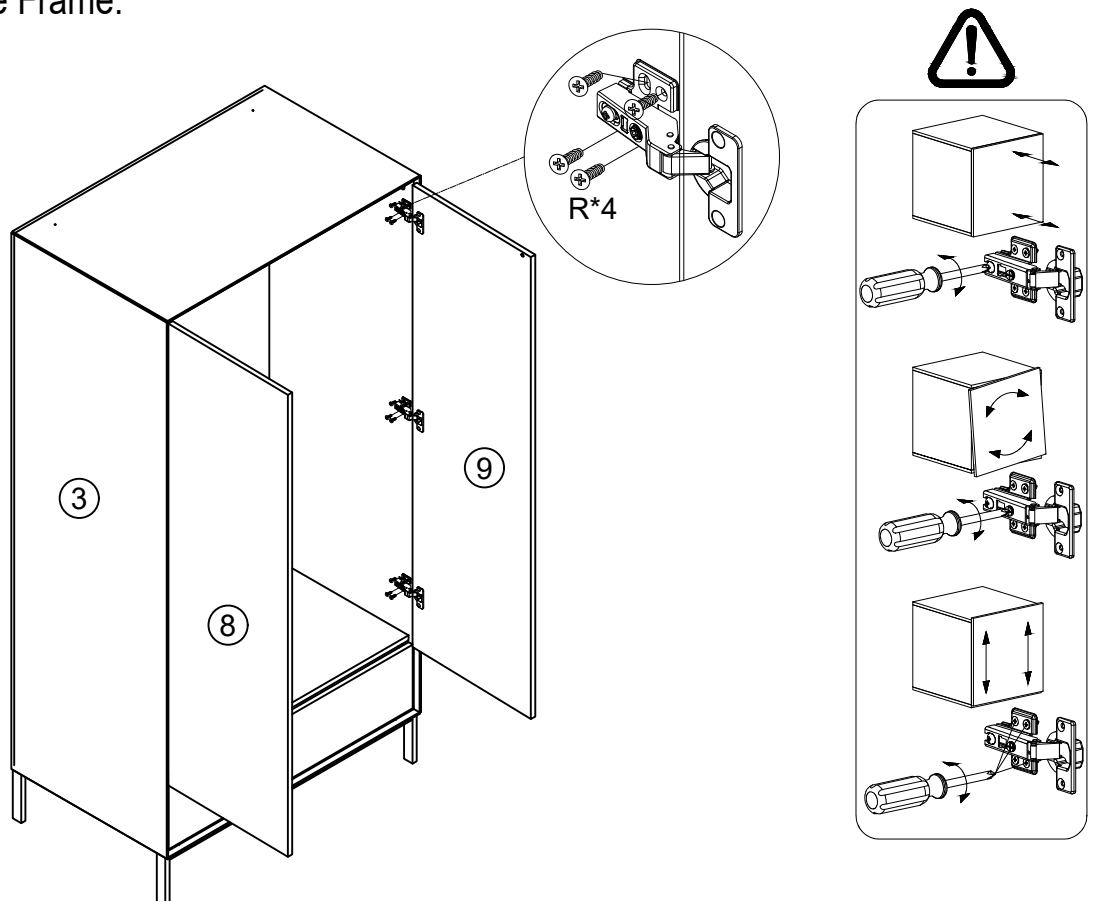
## 18. Assemble the drawers in the Wardrobe.

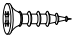


19. Put the Clothes Poles into the Frame.

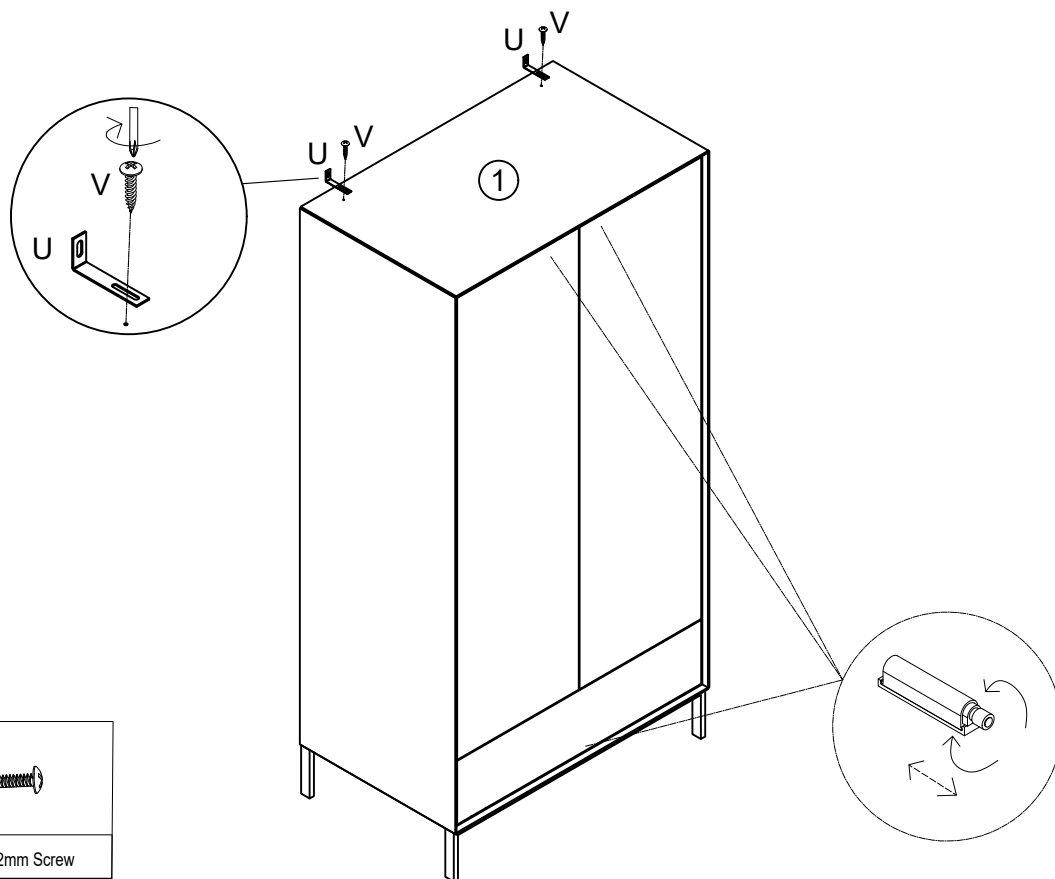




20. Attach the Doors to the Frame.



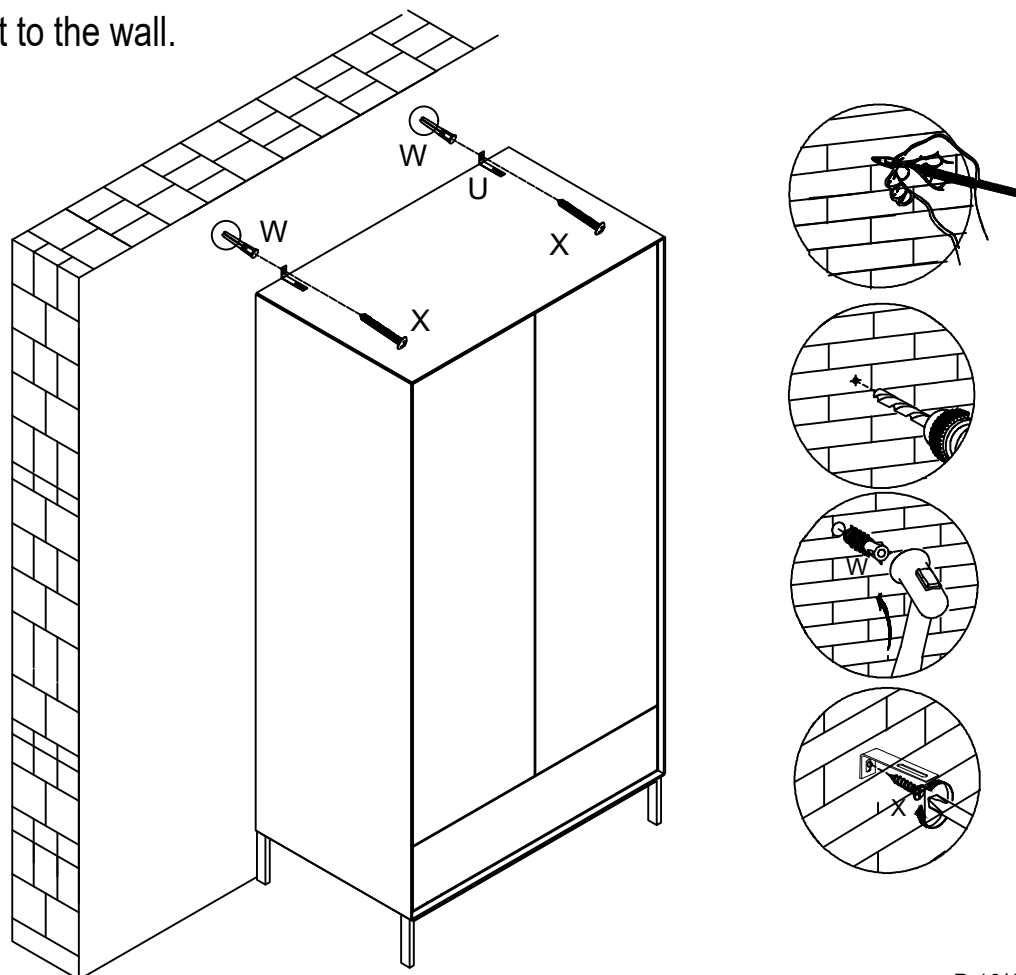
R

M4x14mm Screw
24pcs


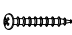
21. Attach parts to the frame and adjust the pushers to appropriate position.



U		V	
	76x32mm L-shaped Bracket		M4x12mm Screw
	2pcs		2pcs

22. Fix the L-Shaped Bracket to the wall.



W		X	
	Φ8mm Expansion Tube		M4x40mm Screw
	2pcs		2pcs