

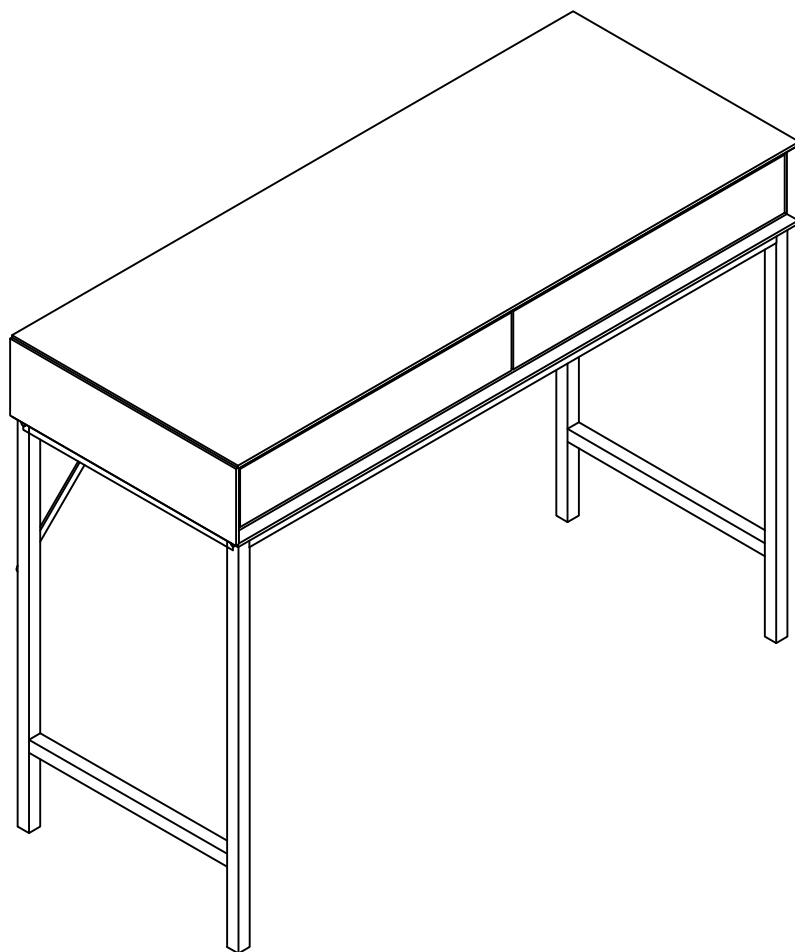
DUSK.COM

LIVING | BEDROOM | DINING

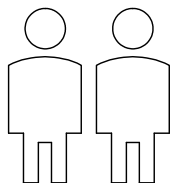
Range Name:NOVA

Box1 dimensions:L113.5xW53.5xH13.5(cm)

Nova Dressing Table



**Up to 30 minutes
assembly time**



**Two person
assembly**

This product is intended for domestic use only, not commercial purposes.

IMPORTANT

ASSEMBLY TIP

Before you begin , it's best to identify all of the parts and fittings to build your dressing table frame. We advise laying these out on the clean and flat floor to check you have everything , and to familiarise yourself with all of the parts and fittings before building.

TOP TIP

We recommend that you assemble the dressing table in the room you'd like it to be located. This will help prevent any risk of damage to the frame whilst moving it.

SAFETY AND CARE

1. Do not stand on your product. Pregnant women should take additional care when using this product. Do not leave the child unattended. Children should always be under direct adult supervision whilst using this product. Always use on firm level ground, ensuring all legs remain in contact with the ground.
2. It's important to ensure children and animals are kept away from the assembly area, as there are small components used in this product which could present a choking hazard. All plastic and wrapping materials should also be kept away from children and animals to prevent any risk of suffocation.

HELP AND SUPPORT

Please contact our customer service team on 0113 519 0311 if you have any questions or issues with your purchase.

RECYCLING

Please ensure that packaging is disposed of in a safe and environmentally friendly way, and recycle where possible. Please keep your assembly instructions safe to refer back to in the future.

CARE AND MAINTENANCE:

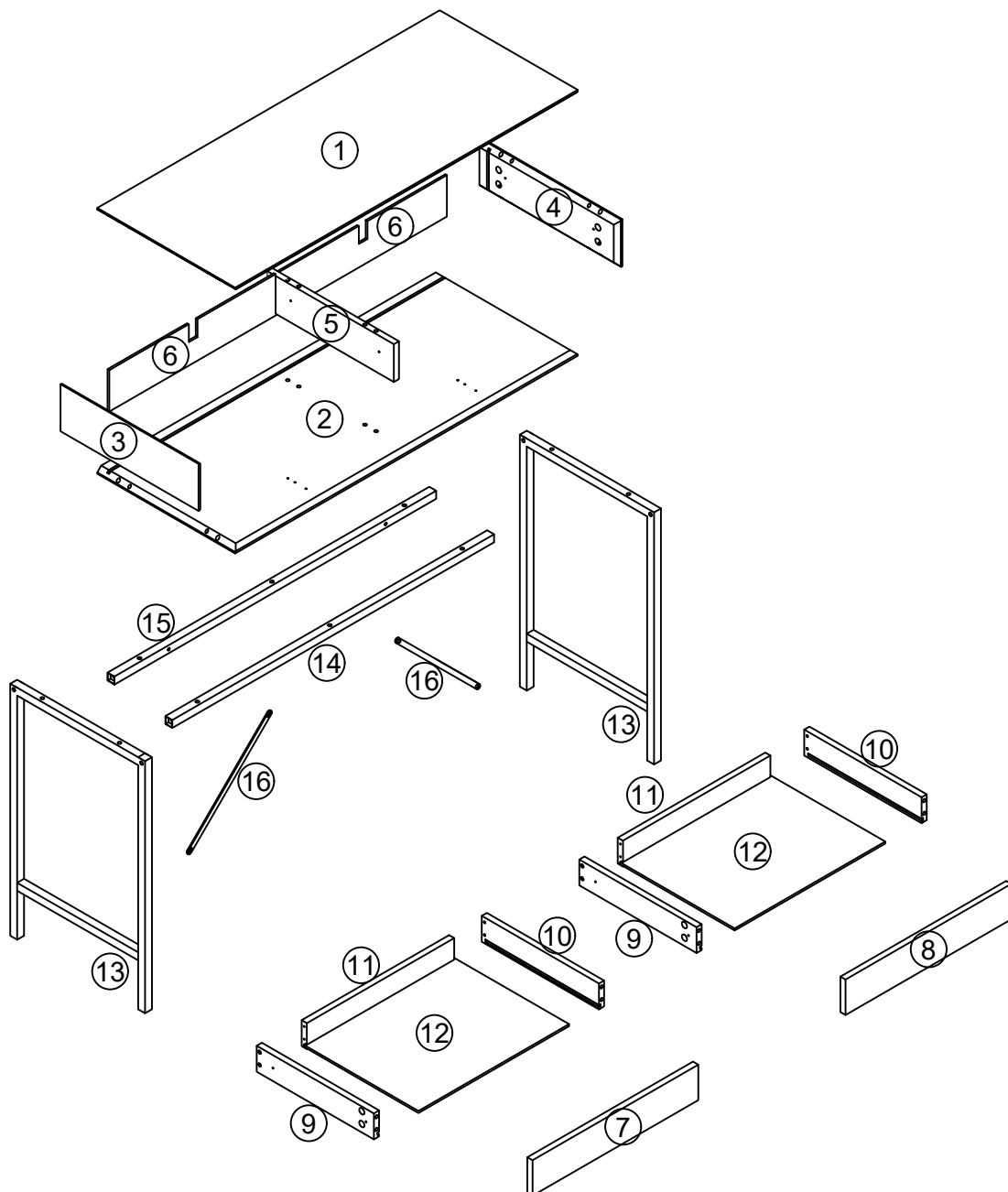
1. Only use clean , colourless sponge or cloth to avoid any colour transfer or smearing , do not use bleach or abrasive cleaners as they may damage the dressing table top over time.
2. Do not use a very wet cloth or allow any liquid to contact with the dressing table for a long period of time . Wipe any spillage immediately.
3. Do not scrub or rub the surface when cleaning.
4. Do not drag the dressing table when moving , lift it off the floor instead.
5. Use a placemat or a coaster when putting hot items (e . g . hot drinks and dishes) on the dressing table surface.
6. It is not recommended to place the item next to sources of heat such as radiators , fires or directly exposed to sunlight.
7. Regularly check all fixings to ensure none have come loose . Re - tighten if necessary.
8. Avoid sharp items such as a screwdriver or any pointy tools.
9. Dispose of all packaging carefully and responsibly - recycle where possible.
10. Due to the delicate nature of this product , please gently place hard items onto the dressing table top to avoid damaging the surface.

Parts List

Before you begin building your Nova Dressing Table, please take a moment to read through the instructions and make sure that you have all the relevant parts listed on the parts check list.

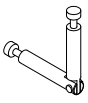
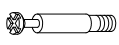







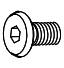
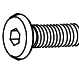
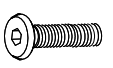
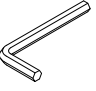
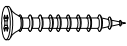
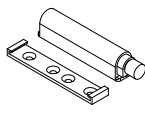
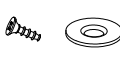



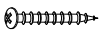
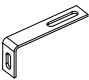

Part Number	Part Description	Quantity
①	Top panel	1 pc
②	Bottom panel	1 pc
③	Left side panel	1 pc
④	Right side panel	1 pc
⑤	Middle panel	1 pc
⑥	Back panel	2 pcs
⑦	Left drawer front	1 pc
⑧	Right drawer front	1 pc

Part Number	Part Description	Quantity
⑨	Drawer left panel	2 pcs
⑩	Drawer right panel	2 pcs
⑪	Drawer back panel	2 pcs
⑫	Drawer bottom	2 pcs
⑬	Leg	2 pcs
⑭	Front leg support	1 pc
⑮	Back leg support	1 pc
⑯	Metal support	2 pcs



Fittings

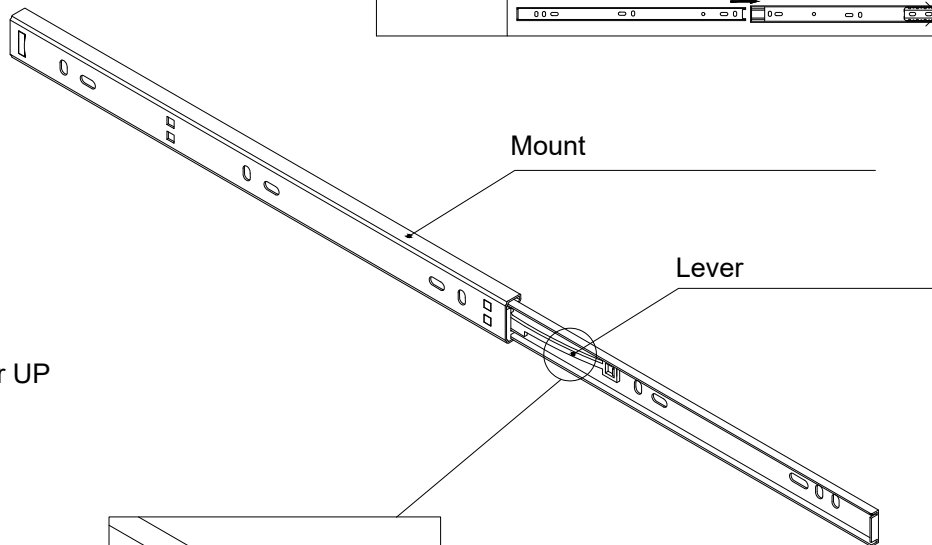
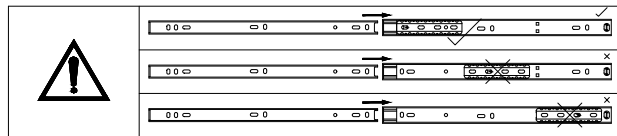
Please check you have all the fittings listed below with your product

<p>A</p> 	<p>B</p> 	<p>C</p> 	<p>D</p> 	<p>E</p> 	<p>F</p> 
<p>M6x64 CAM Lock Screw 8pcs+1pc extra</p>	<p>M6x44 CAM Lock Screw 10pcs+1pc extra</p>	<p>Φ15x11mm CAM Lock 26pcs+2pcs extra</p>	<p>M3.5x14mm Screw 30pcs+2pcs extra</p>	<p>Φ6x25mm Wooden Dowel 8pcs+1pc extra</p>	<p>Φ8x30mm Wooden Dowel 4pcs +1pc extra</p>
<p>G</p> 	<p>H</p> 	<p>I</p> 	<p>J</p> 	<p>K</p> 	<p>L</p> 
<p>M7x50mm Screw 2pcs</p>	<p>Φ20mm Cover 8pcs+1pcs extra</p>	<p>15x9mm Plastic Buckle 8pcs+1pc extra</p>	<p>M6x12mm Bolt 4pcs</p>	<p>M6x30mm Bolt 10pcs +1pc extra</p>	<p>M6x40mm Bolt 4pcs</p>
<p>M</p> 	<p>N</p> 	<p>O</p> 	<p>P</p> 	<p>Q</p> 	<p>R</p> 
<p>4mm Allen Key 1pc</p>	<p>M3.5x35mm Screw 8pcs+1pc extra</p>	<p>83x14x19mm Pusher 2pcs</p>	<p>Ø16mm Screw and Washer 2pcs</p>	<p>M6 Adjustable Foot 4pcs</p>	<p>340mm Slide 4pcs</p>
<p>S</p> 	<p>T</p> 	<p>U</p> 	<p>V</p> 		
<p>Φ8mm Expansion Tube 2pcs</p>	<p>M4x40mm Screw 2pcs</p>	<p>76x32mm L-shaped Bracket 2pcs</p>	<p>M4x12mm Screw 2pcs</p>		

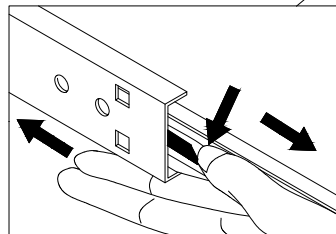
**Slides Must Be Separated Before Assembly.
After Separated, Set Aside Until Needed for Assembly.**

**Pay attention when connecting !
The sliding module must be at the front end.**

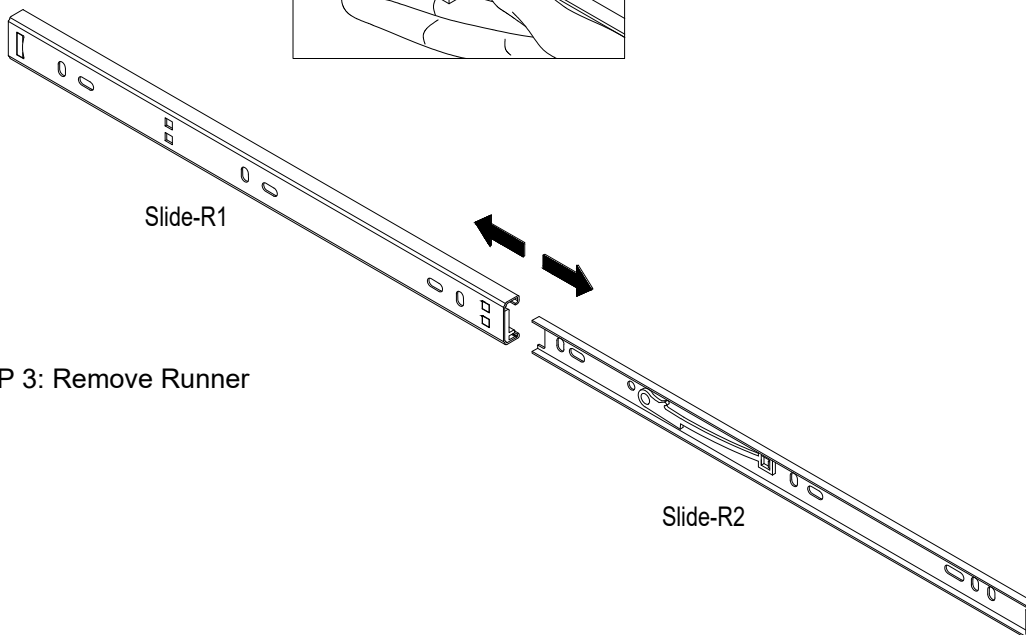
STEP 1 : Extend Slide



STEP 2: Push Lever UP

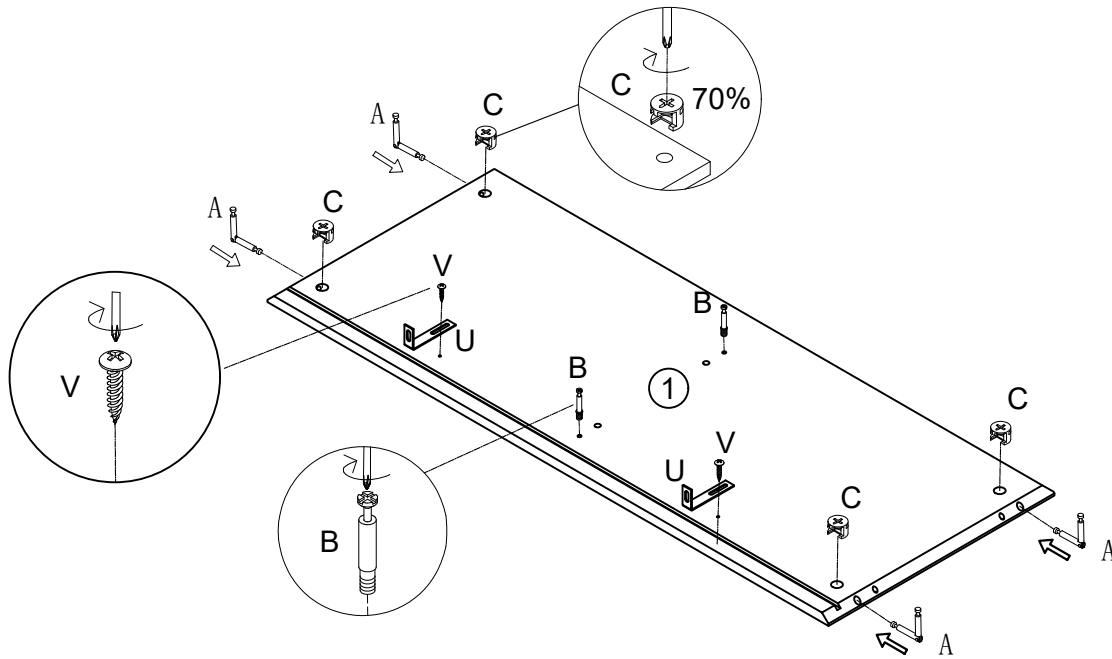


**Push lever for the left of drawer ,
press the lever for the right of drawer .**



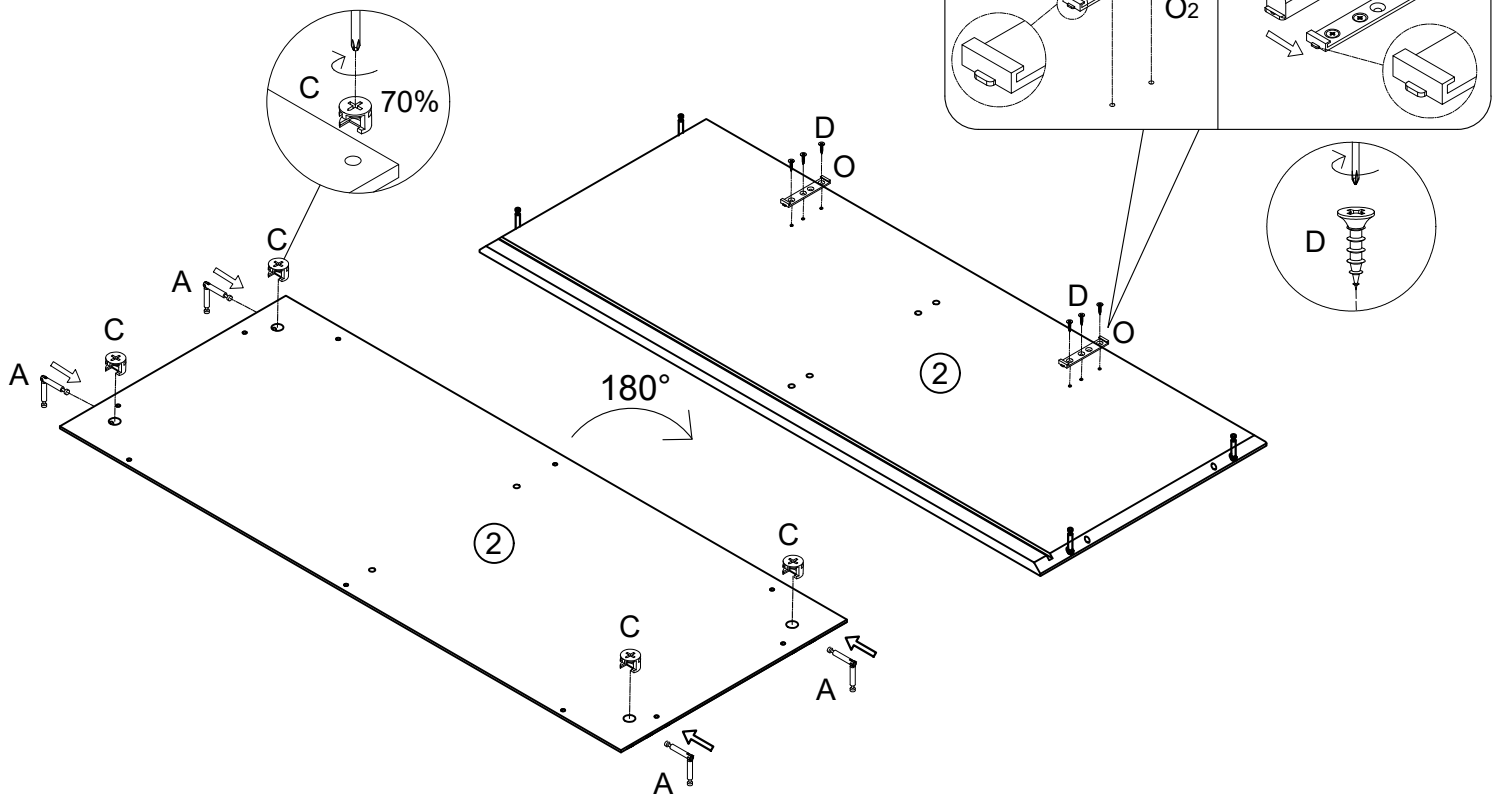
STEP 3: Remove Runner

1. Attach parts to the Top Panel.

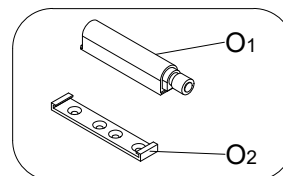


A	B	C	U	V
M6x64 CAM Lock Screw 4pcs	M6x44 CAM Lock Screw 2pcs	Φ15x11mm CAM Lock 4pcs	76x32mm L-shaped Bracket 2pcs	M4x12mm Screw 2pcs

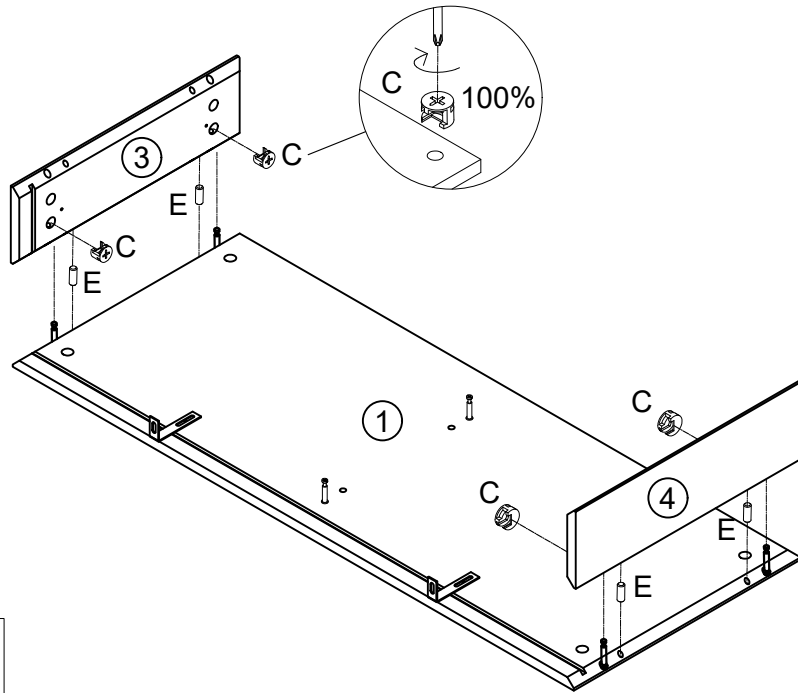
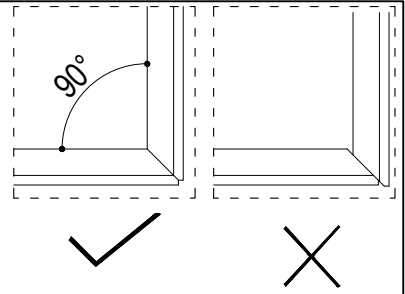
2. Attach parts to the Bottom Panel.


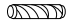


A	C	O	D
M6x84 CAM Lock Screw 4pcs	Φ15x11mm CAM Lock 4pcs	83x14x19mm Pusher 2pc	M3.5x14mm Screw 6pcs

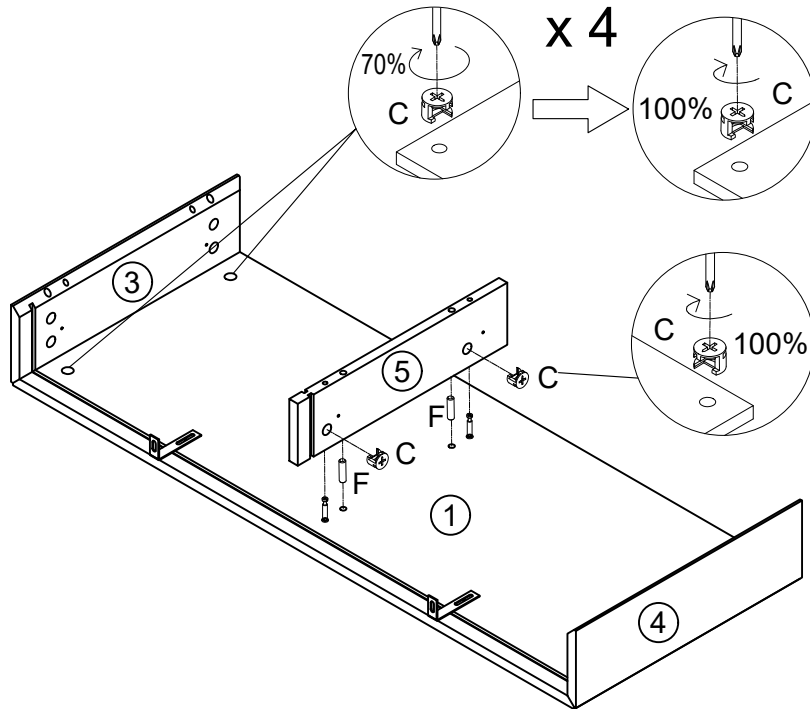



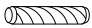
3. Attach the Side Panels to the Top Panel .



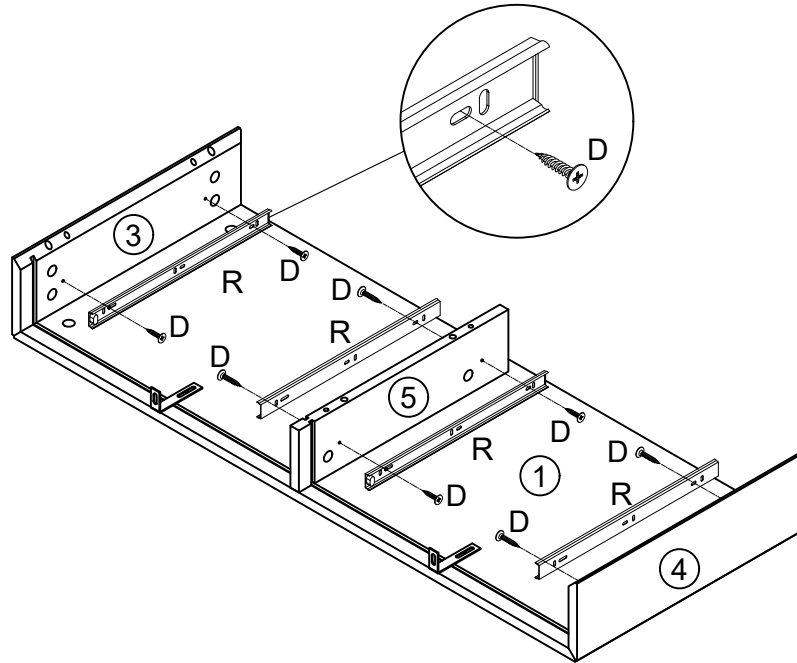
C	E
	
Φ15x11mm CAM Lock 4pcs	Φ6x25mm Wooden Dowel 4pcs

4. Attach the Middle Panel to the Frame.



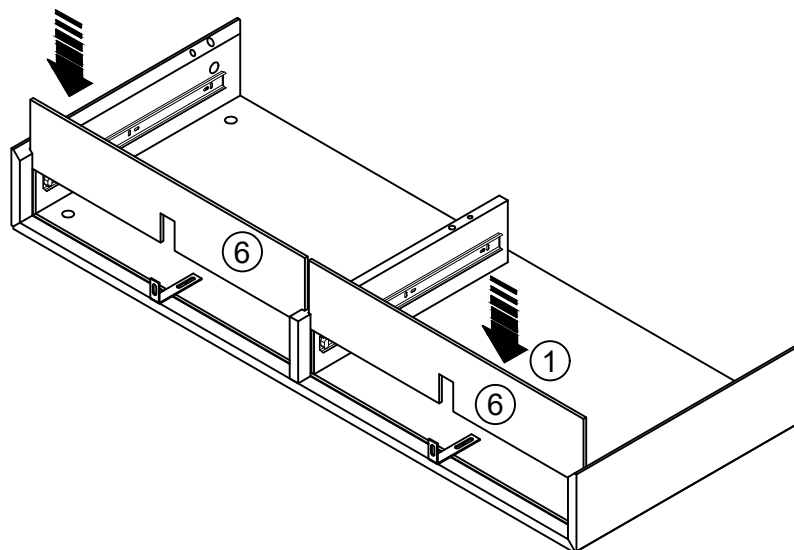
C	F
	
Φ15x11mm CAM Lock 2pcs	Φ8x30mm Wooden Dowel 2pcs

5. Attach parts to the Left Side Panel ,Right Side Panel and Middle Panel.

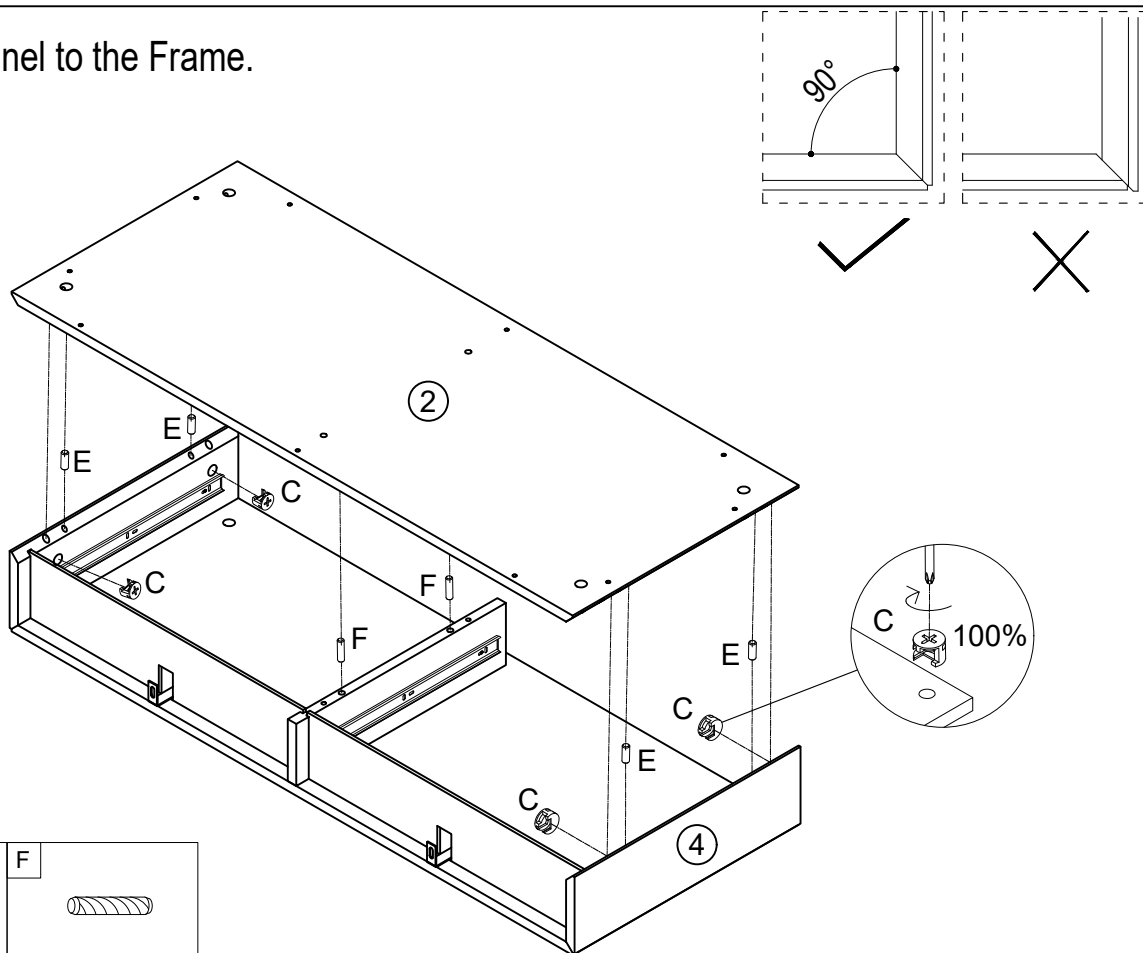


D	R		
M3.5x14mm Screw	Slide-R1		
8pcs	4pcs		

6. Attach the Back Panels into the Frame.

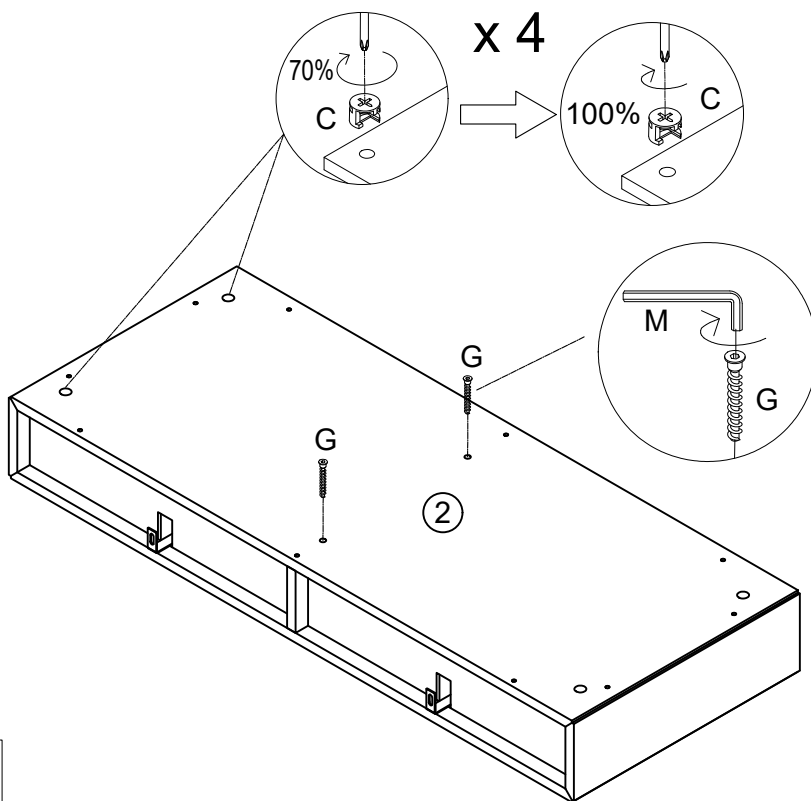


7. Attach the Bottom Panel to the Frame.



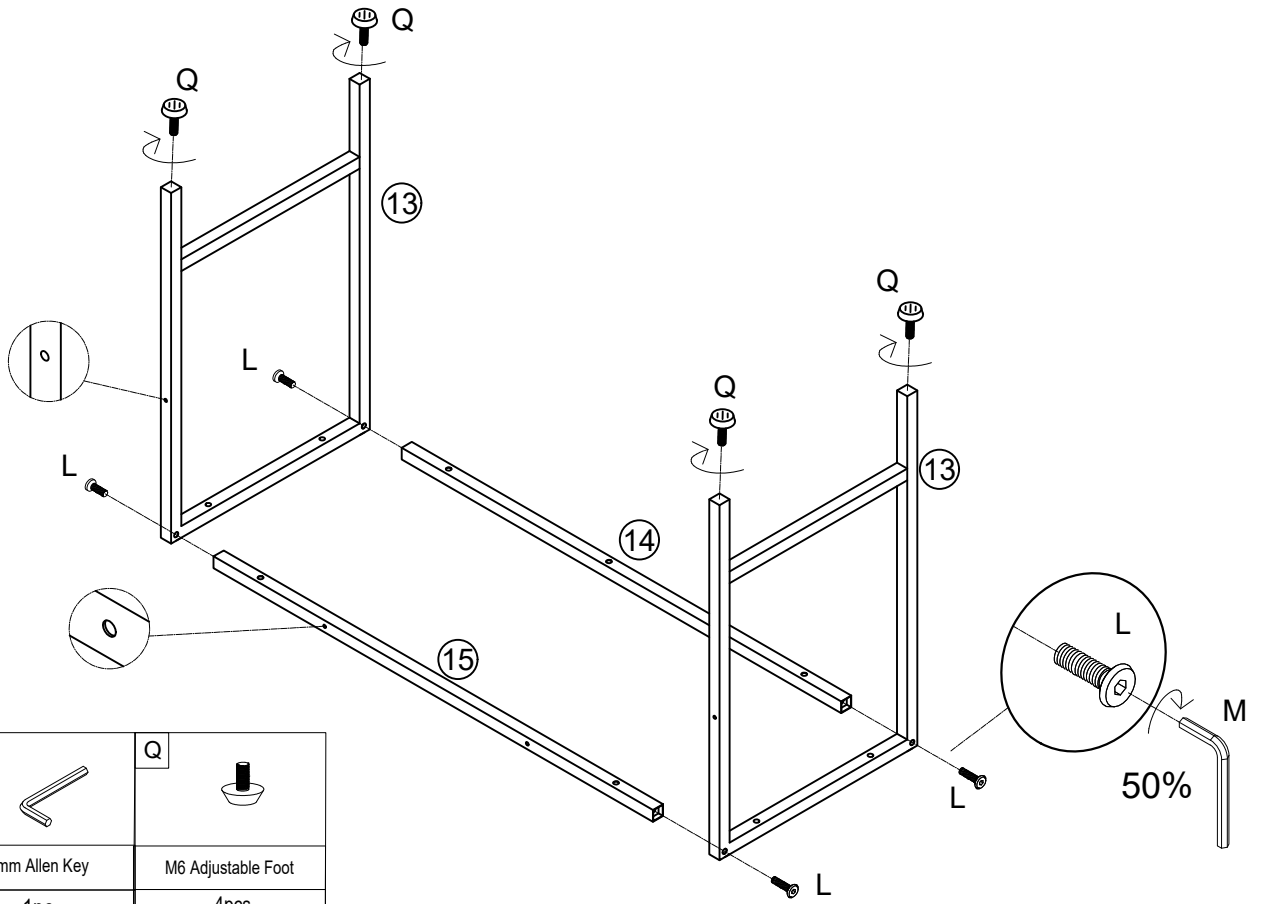
C	E	F
Φ15x11mm CAM Lock	Φ6x25mm Wooden Dowel	Φ8x30mm Wooden Dowel
4pcs	4pcs	2pcs

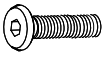
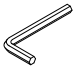

8. Lock the CAM Locks tightly.



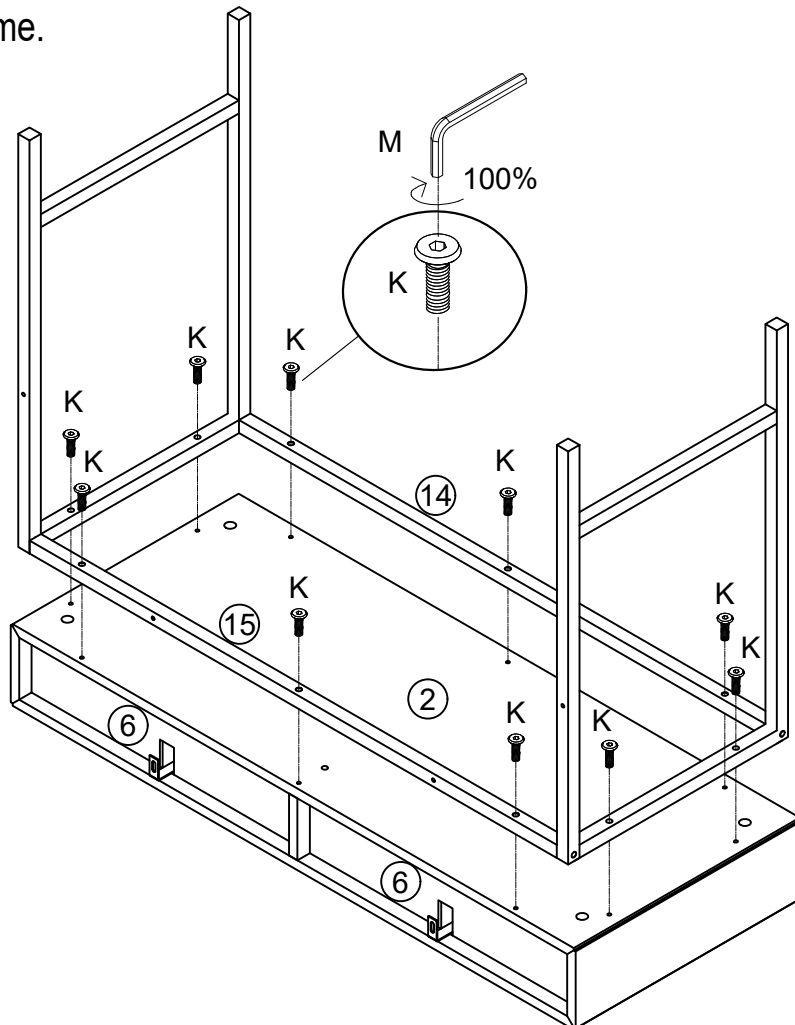
G	M
M7x50mm Screw	4mm Allen Key
2pcs	1pc

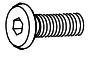
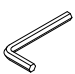
9. Attach the Legs to the Leg Supports.



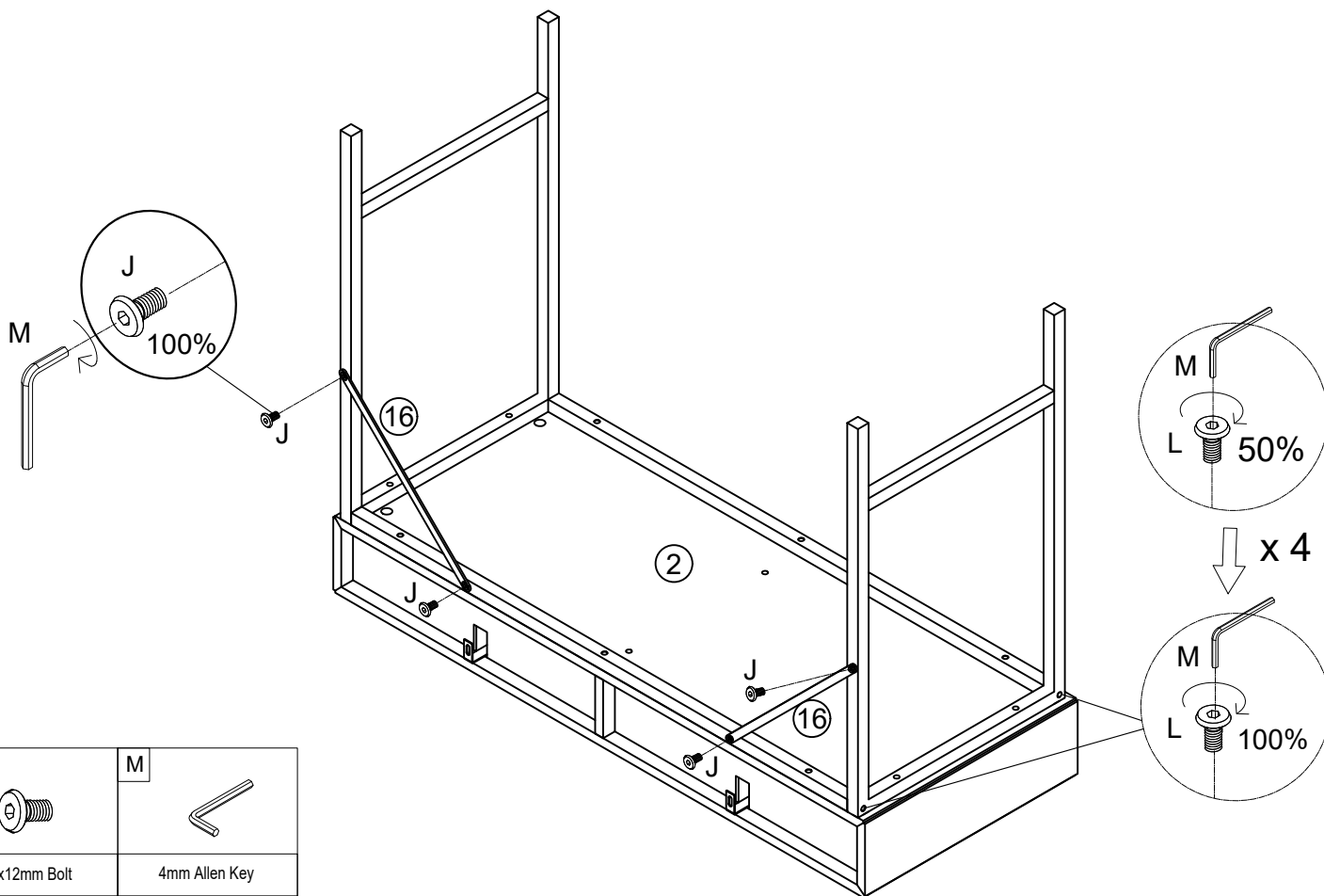
L	M	Q
		
M6x40mm Bolt	4mm Allen Key	M6 Adjustable Foot
4pcs	1pc	4pcs


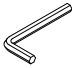
10. Attach the Legs to the Frame.



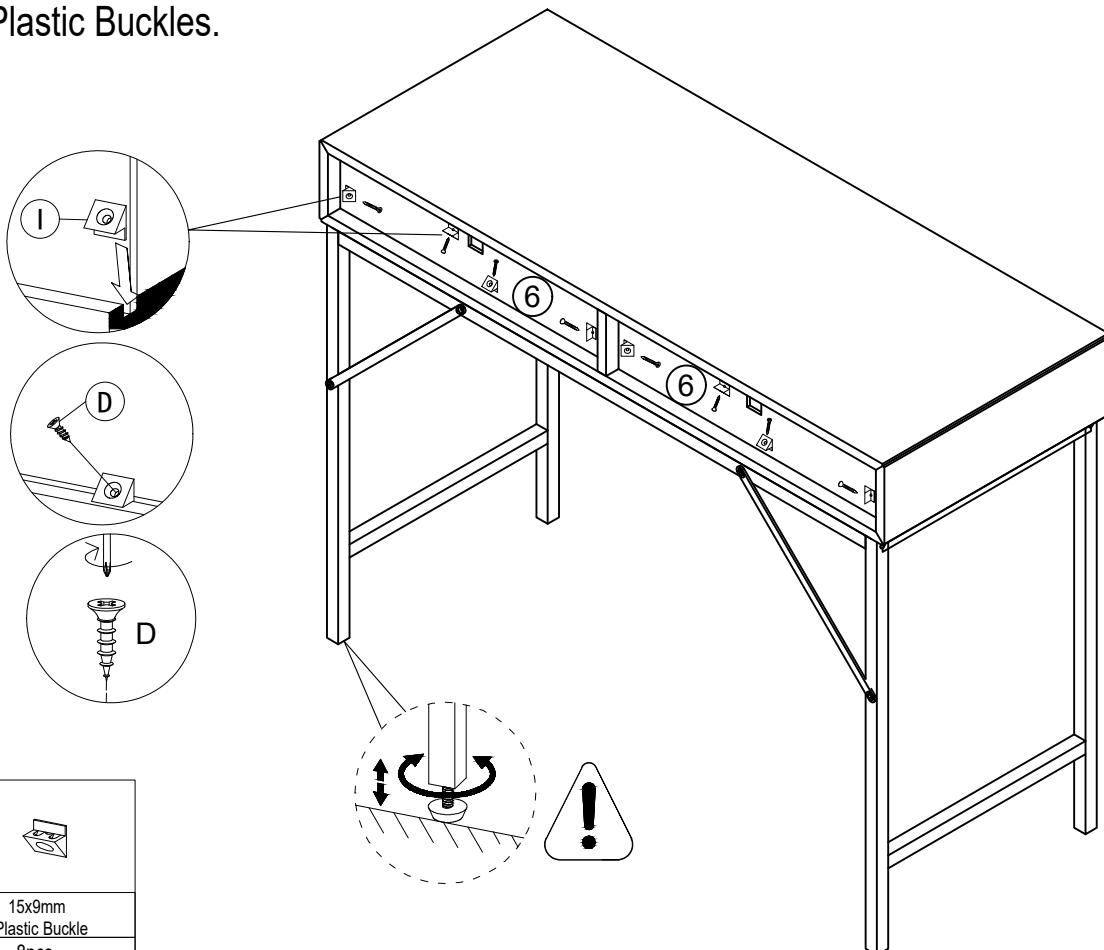
K	M
	
M6x30mm Bolt	4mm Allen Key
10pcs	1pc

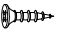

11. Attach the Metal support to the frame and Lock the Bolts tightly.



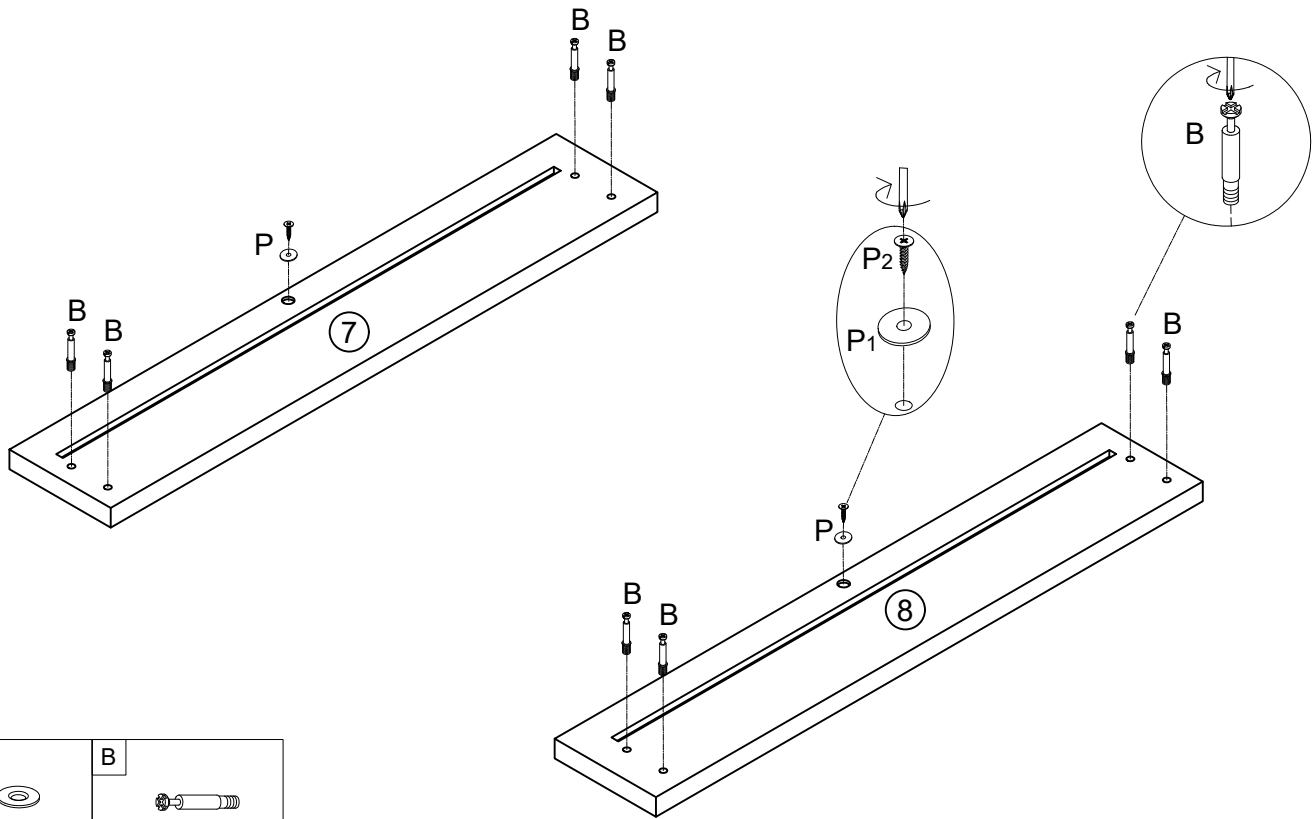
J	M
	
M6x12mm Bolt	4mm Allen Key
4pcs	1pc

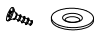

12. Attach the Plastic Buckles.



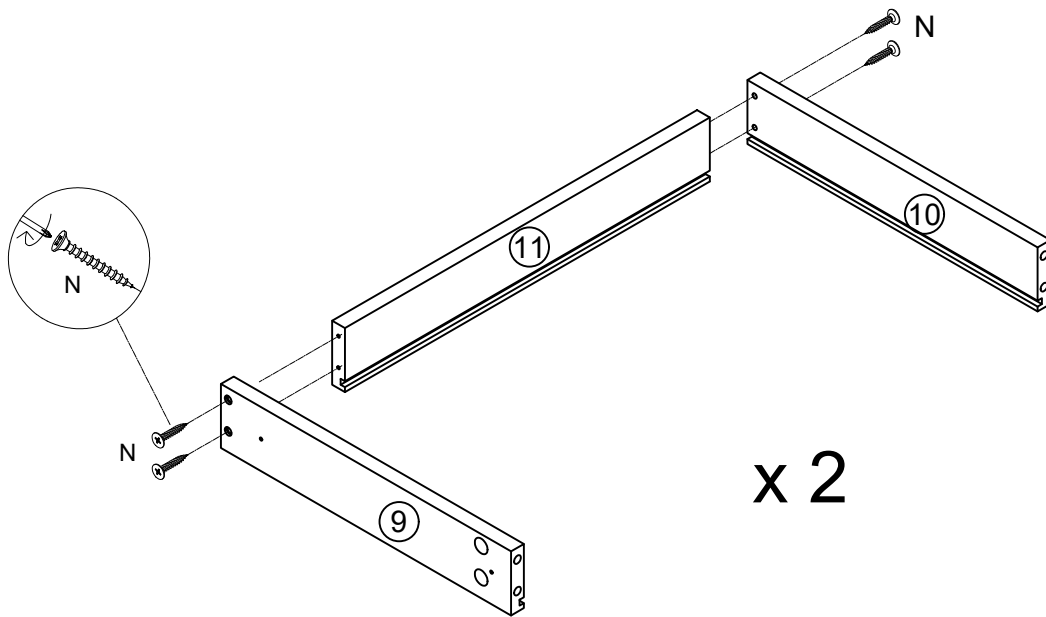
D	I
	
M3.5x14mm Screw	15x9mm Plastic Buckle
8pcs	8pcs

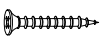
13. Attach parts to the drawer.



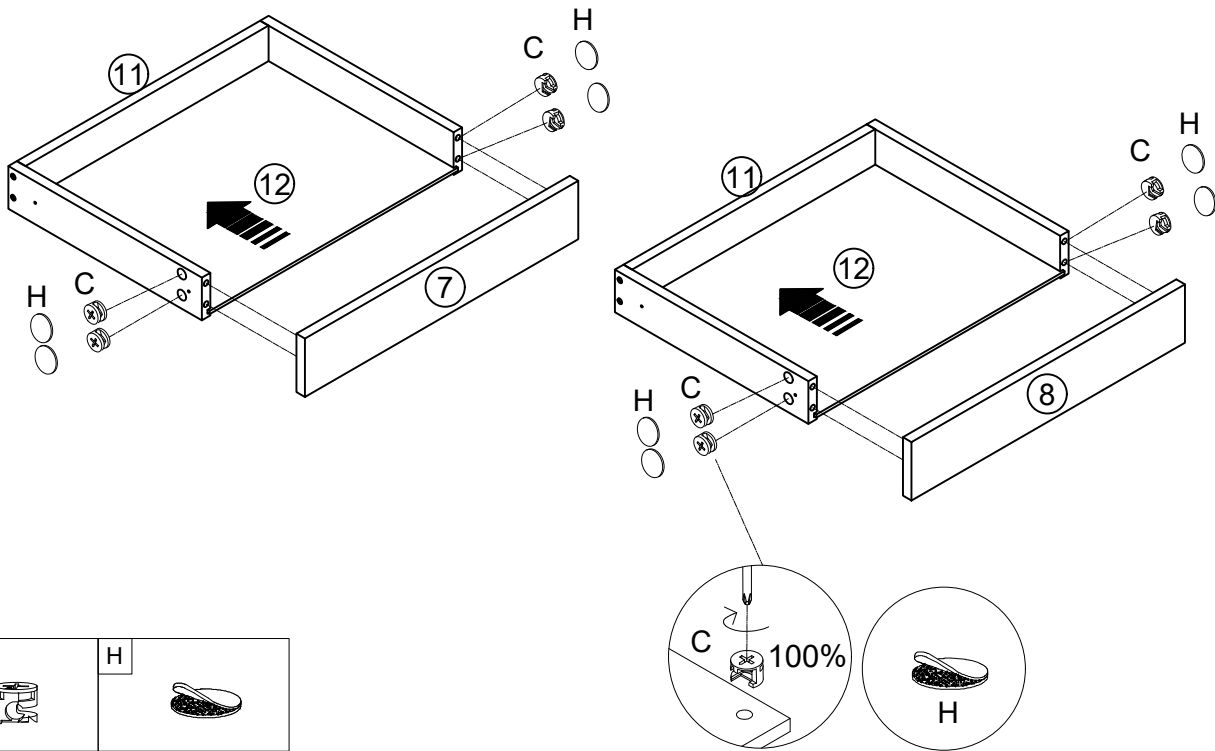
P	B
	
Ø16mm Screw and Washer 2pcs	M6x44 CAM Lock Screw 8pcs



14. Assemble the drawer.



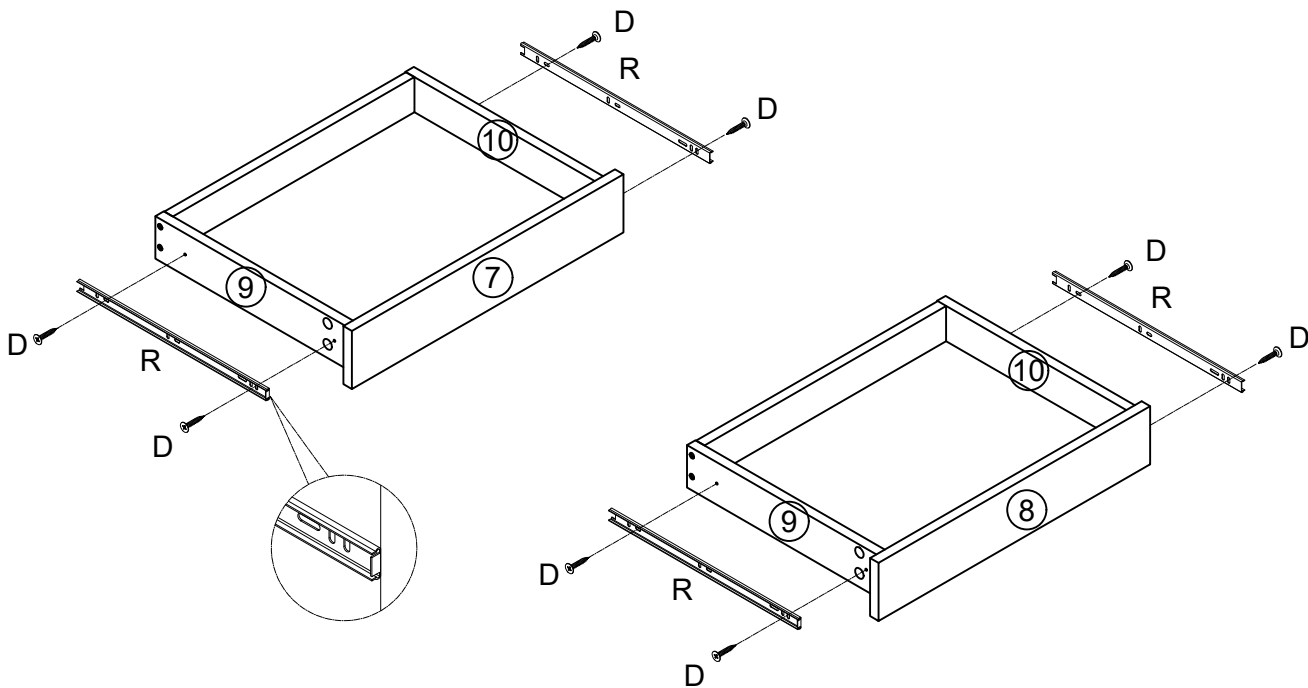
N

M3.5x35mm Screw 8pcs

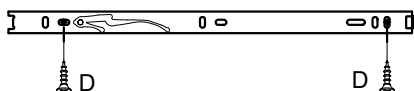
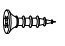


15. Slide in the Drawer Base, and attach the Drawer Front by locking the CAM Locks tightly.



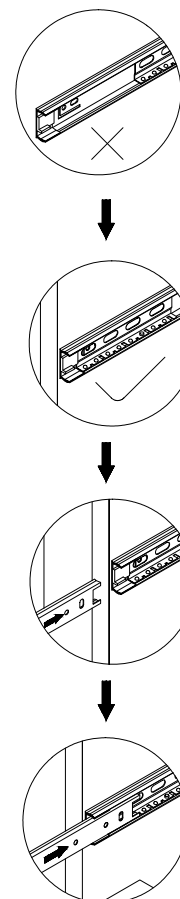
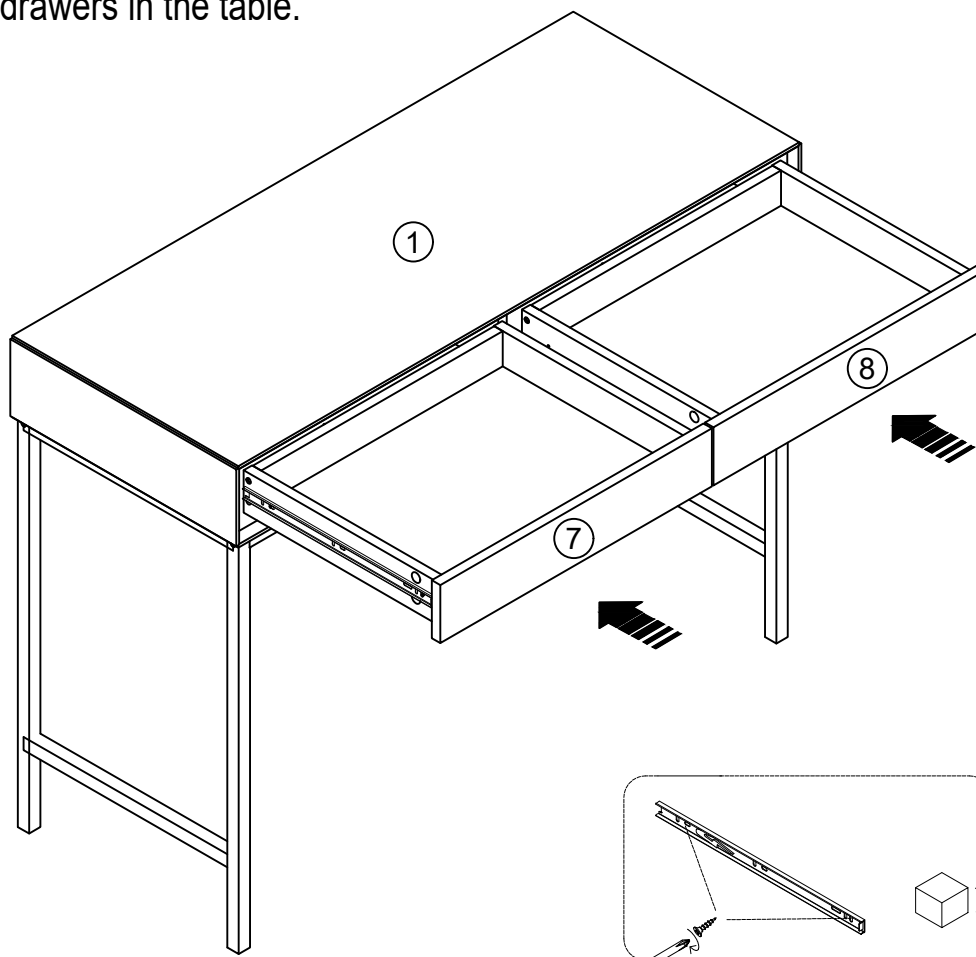
C	H
	
Φ15x11mm CAM Lock	Φ20mm Cover
8pcs	8pcs

16. Attach parts to the drawer.

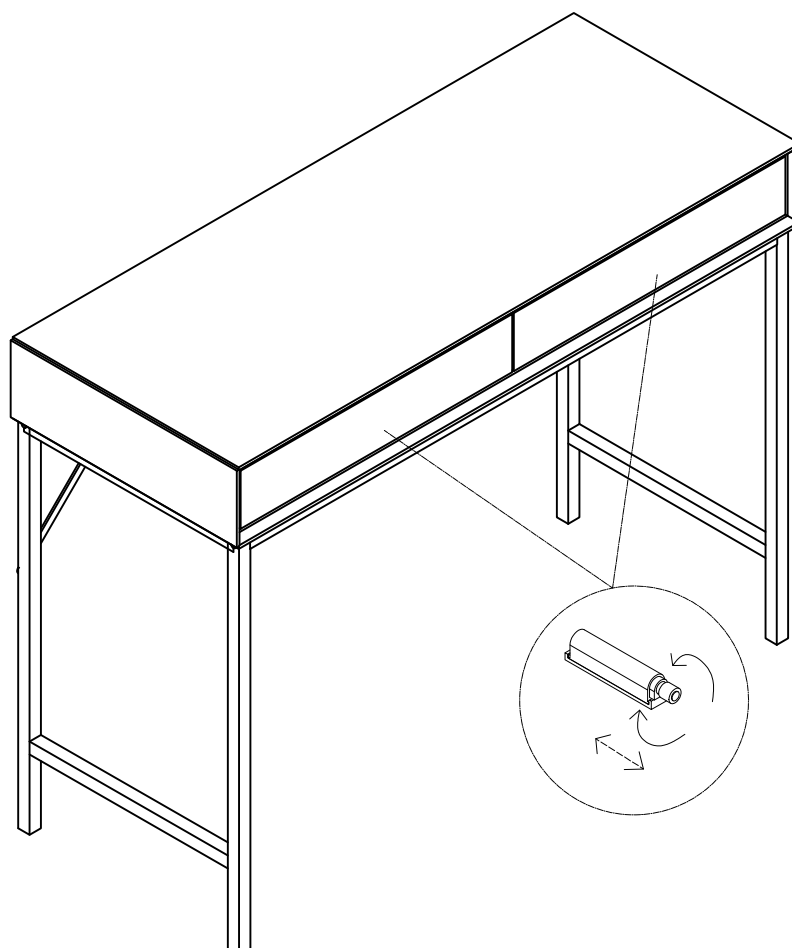


D	R	
		
M3.5x14mm Screw	Slide-R2	D
8pcs	4pcs	D

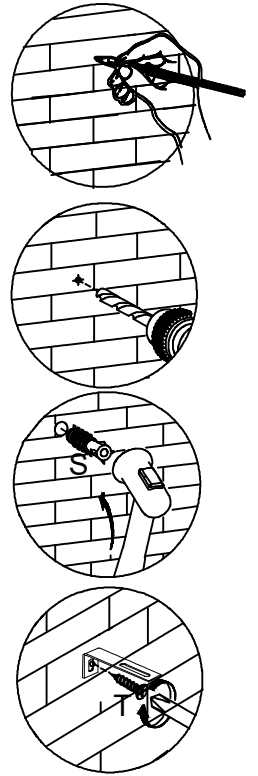
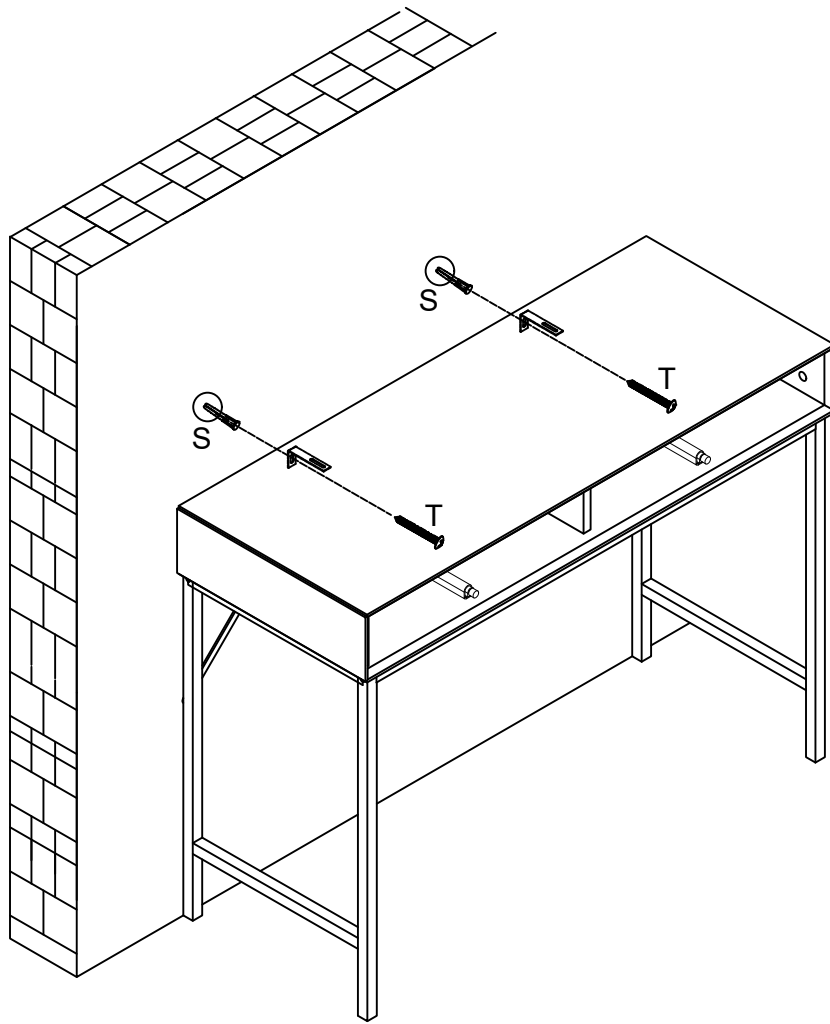
17. Assemble the drawers in the table.


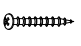


18. Adjust the pushers to appropriate position.



19. Fix the L-Shaped Bracket to the wall.



S	T
	
Φ8mm Expansion Tube	M4x40mm Screw
2pcs	2pcs