

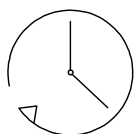
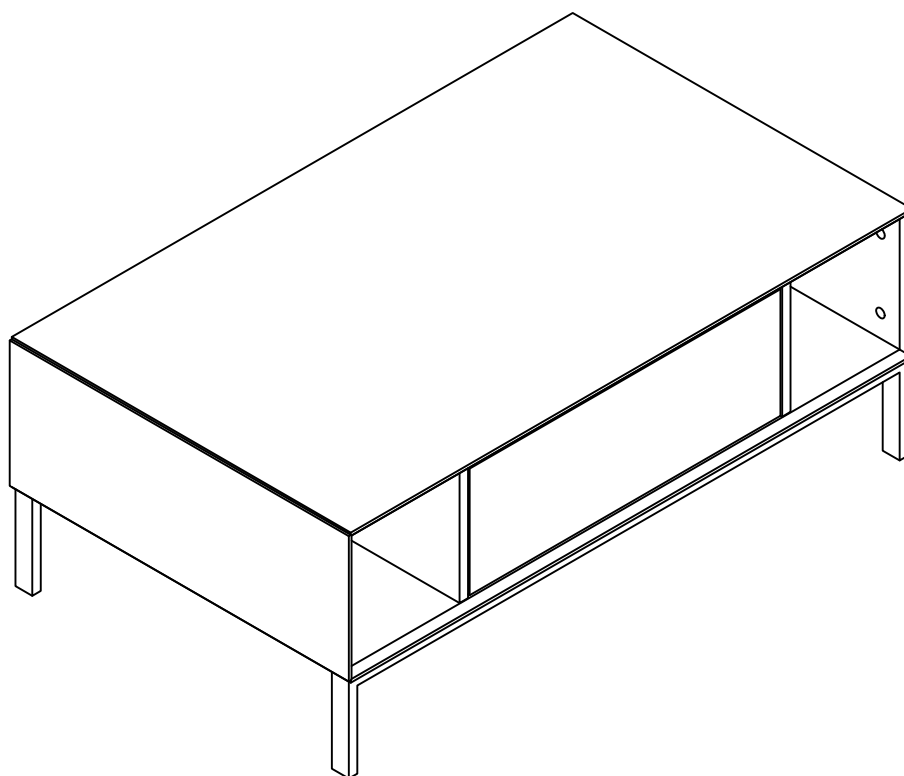
DUSK.COM

LIVING | BEDROOM | DINING

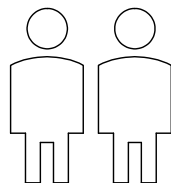
Range Name:NOVA

Box1 dimensions:L114xW72xH13(cm)

Nova Coffee Table



**Up to 30 minutes
assembly time**



**Two person
assembly**

This product is intended for domestic use only, not commercial purposes.

IMPORTANT

ASSEMBLY TIP

Before you begin , it's best to identify all of the parts and fittings to build your coffee table frame. We advise laying these out on the clean and flat floor to check you have everything , and to familiarise yourself with all of the parts and fittings before building.

TOP TIP

We recommend that you assemble the coffee table in the room you'd like it to be located. This will help prevent any risk of damage to the frame whilst moving it.

SAFETY AND CARE

1. Do not stand on your product. Pregnant women should take additional care when using this product. Do not leave the child unattended. Children should always be under direct adult supervision whilst using this product. Always use on firm level ground, ensuring all legs remain in contact with the ground.
2. It's important to ensure children and animals are kept away from the assembly area, as there are small components used in this product which could present a choking hazard. All plastic and wrapping materials should also be kept away from children and animals to prevent any risk of suffocation.

HELP AND SUPPORT

Please contact our customer service team on 0113 519 0311 if you have any questions or issues with your purchase.

RECYCLING

Please ensure that packaging is disposed of in a safe and environmentally friendly way, and recycle where possible. Please keep your assembly instructions safe to refer back to in the future.

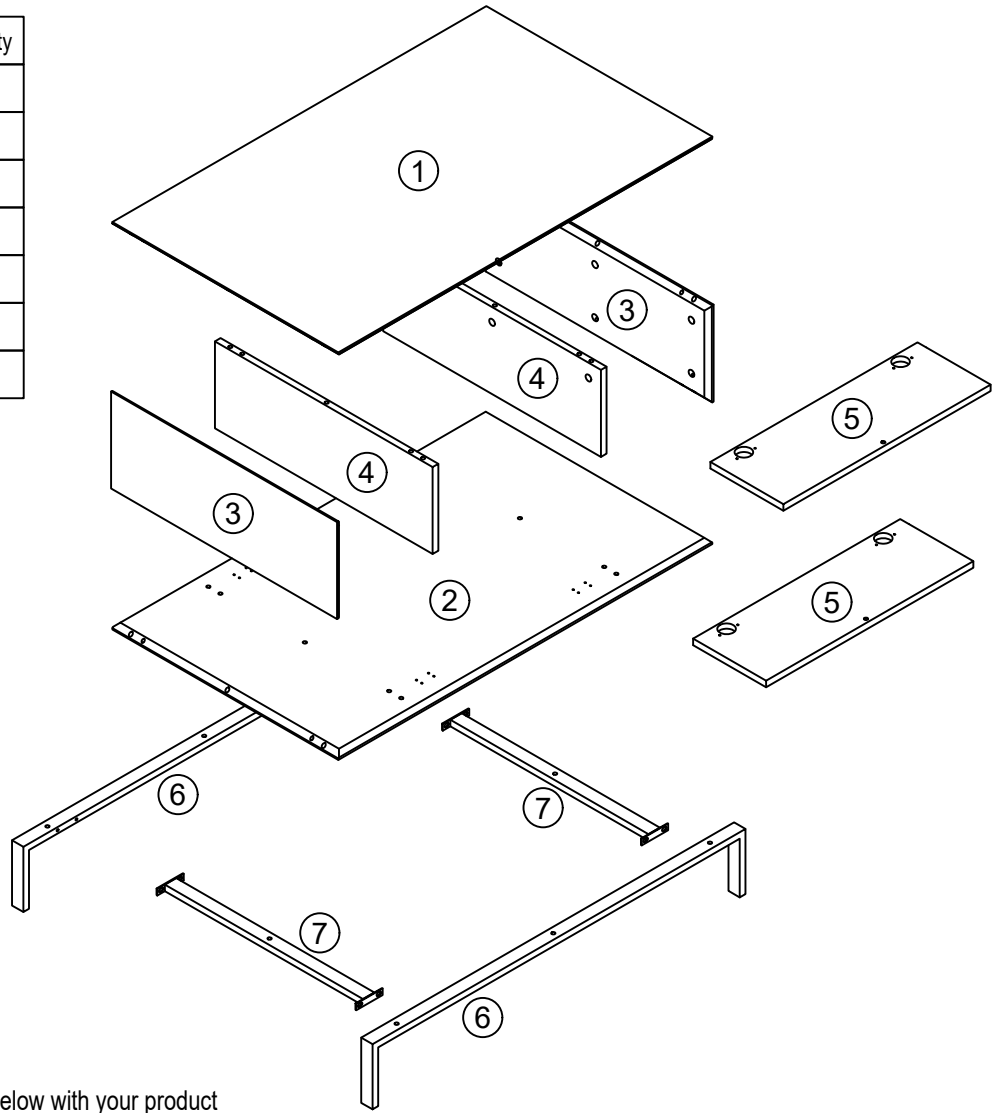
CARE AND MAINTENANCE:

1. Only use clean , colourless sponge or cloth to avoid any colour transfer or smearing , do not use bleach or abrasive cleaners as they may damage the coffee table top over time.
2. Do not use a very wet cloth or allow any liquid to contact with the coffee table for a long period of time . Wipe any spillage immediately.
3. Do not scrub or rub the surface when cleaning.
4. Do not drag the coffee table when moving , lift it off the floor instead.
5. Use a placemat or a coaster when putting hot items (e . g . hot drinks and dishes) on the coffee table surface.
6. It is not recommended to place the item next to sources of heat such as radiators , fires or directly exposed to sunlight.
7. Regularly check all fixings to ensure none have come loose . Re - tighten if necessary.
8. Avoid sharp items such as a screwdriver or any pointy tools.
9. Dispose of all packaging carefully and responsibly - recycle where possible.
10. Due to the delicate nature of this product , please gently place hard items onto the coffee table top to avoid damaging the surface.

Parts List

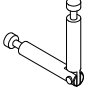
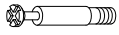


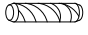
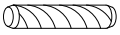

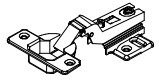
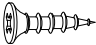
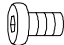
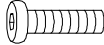

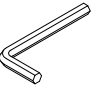
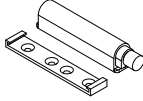
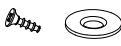
Before you begin building your Nova Coffee Table, please take a moment to read through the instructions and make sure that you have all the relevant parts listed on the parts check list.

Part Number	Part Description	Quantity
①	Top panel	1 pc
②	Bottom panel	1 pc
③	Side panel	2 pcs
④	Middle panel	2 pcs
⑤	Door	2 pcs
⑥	Leg	2 pcs
⑦	Side leg support	2 pcs

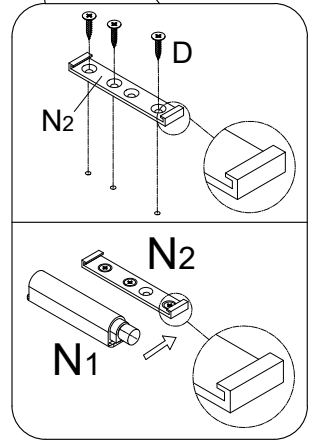
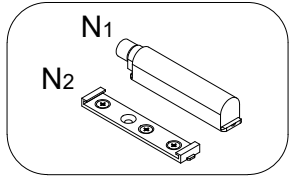
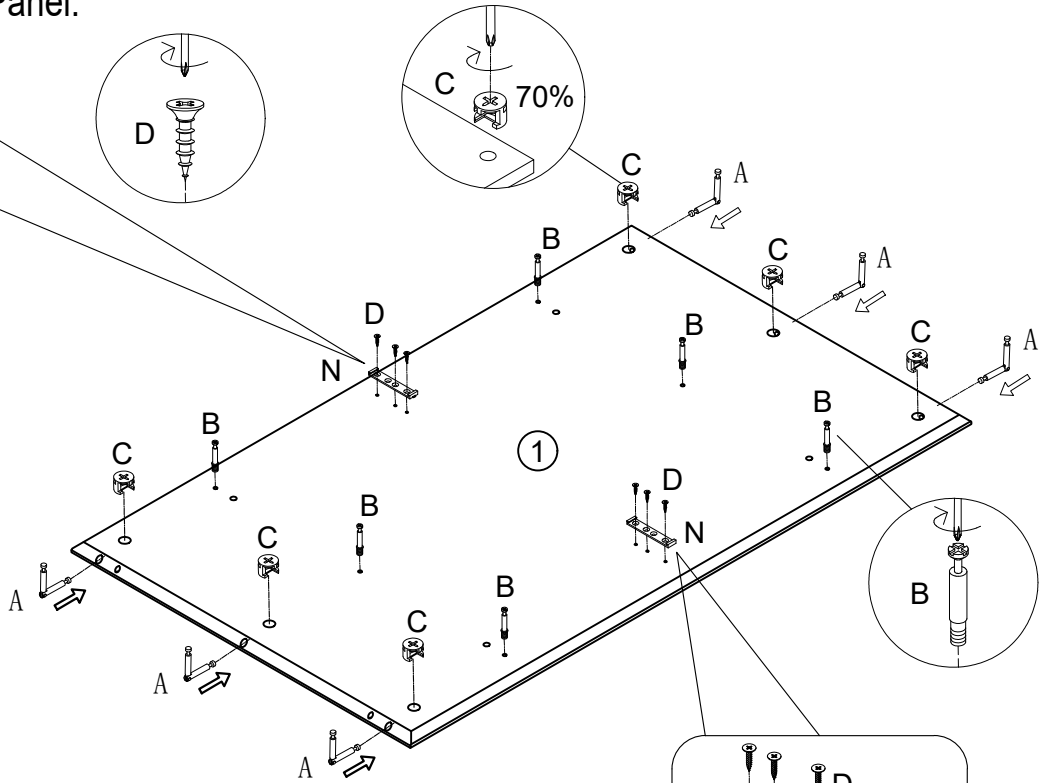
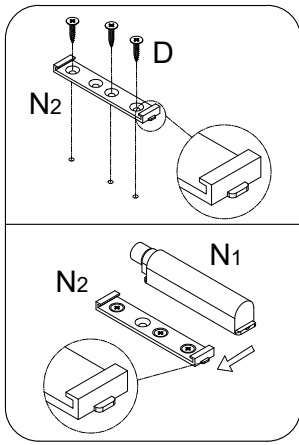


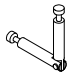
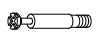

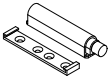
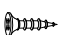
Fittings

Please check you have all the fittings listed below with your product

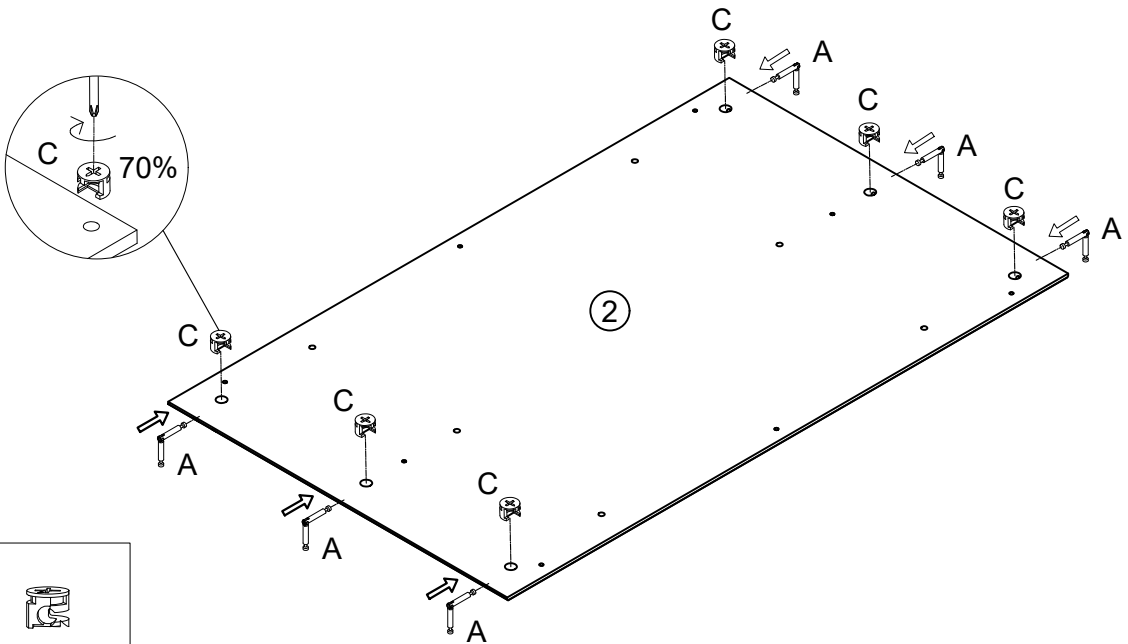
A 	B 	C 	D 	E 	F 
M6x84 CAM Lock Screw 12pcs+1pc extra	M6x44 CAM Lock Screw 6pcs+1pc extra	Φ15x11mm CAM Lock 30pcs+2pcs extra	M3.5x14mm Screw 6pcs+1pcs extra	Φ6x25mm Wooden Dowel 8pcs+1pc extra	Φ8x30mm Wooden Dowel 8pcs +1pc extra
G 	H 	I 	J 	K 	L 
M7x50mm Screw 6pcs+1pc extra	Hinge 4pcs	M4x14mm Screw 24pcs+2pcs extra	M6x12mm Bolt 8pcs+1pc extra	M6x25mm Bolt 8pcs +1pc extra	Φ20mm Cover 18pcs+2pcs extra
M 	N 	O 			
4mm Allen Key 1pc	83x14x19mm Pusher 2pcs	Ø16mm Screw and Washer 2pcs			

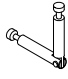

1. Attach parts to the Top Panel.



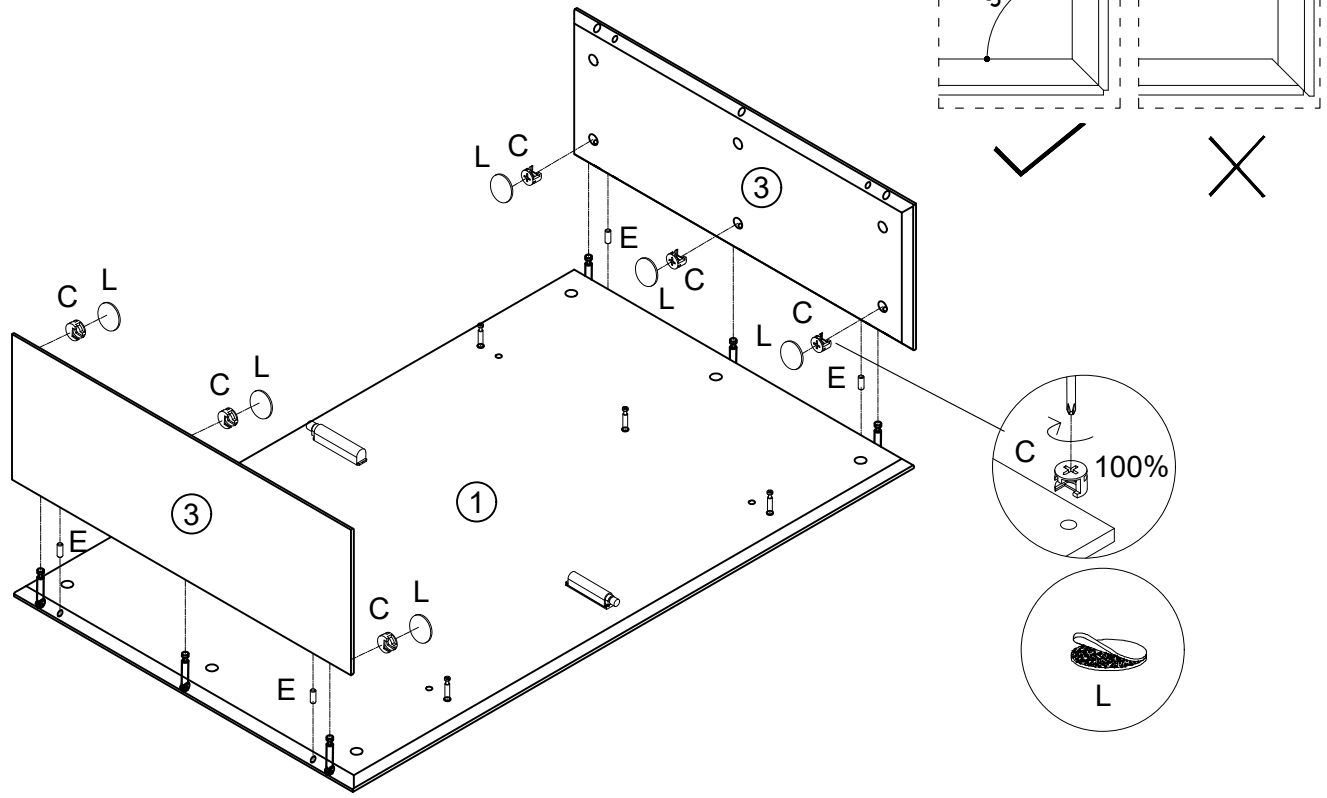
				
M6x84 CAM Lock Screw 6pcs	M6x44 CAM Lock Screw 6pcs	Φ15x11mm CAM Lock 6pcs	83x14x19mm Pusher 2pcs	M3.5x14mm Screw 6pcs

2. Attach parts to the Bottom Panel.



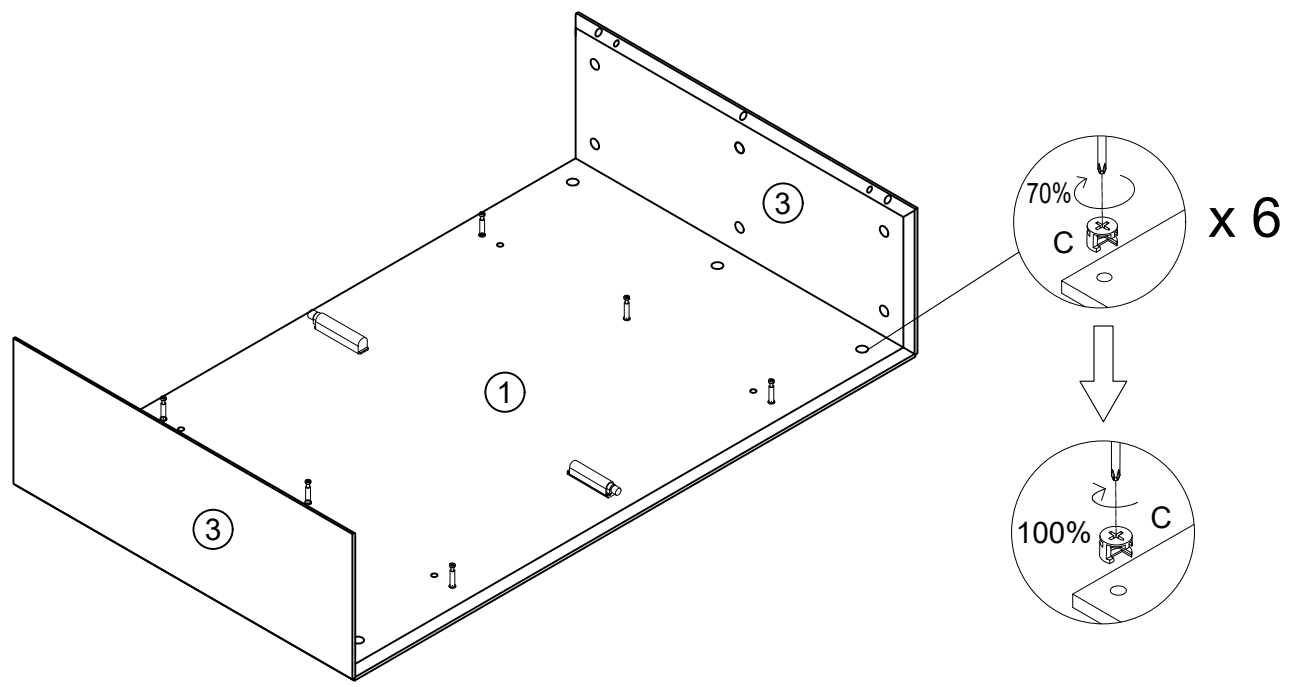
	
M6x84 CAM Lock Screw 6pcs	Φ15x11mm CAM Lock 6pcs

3. Attach the Side Panel to the Top Panel .

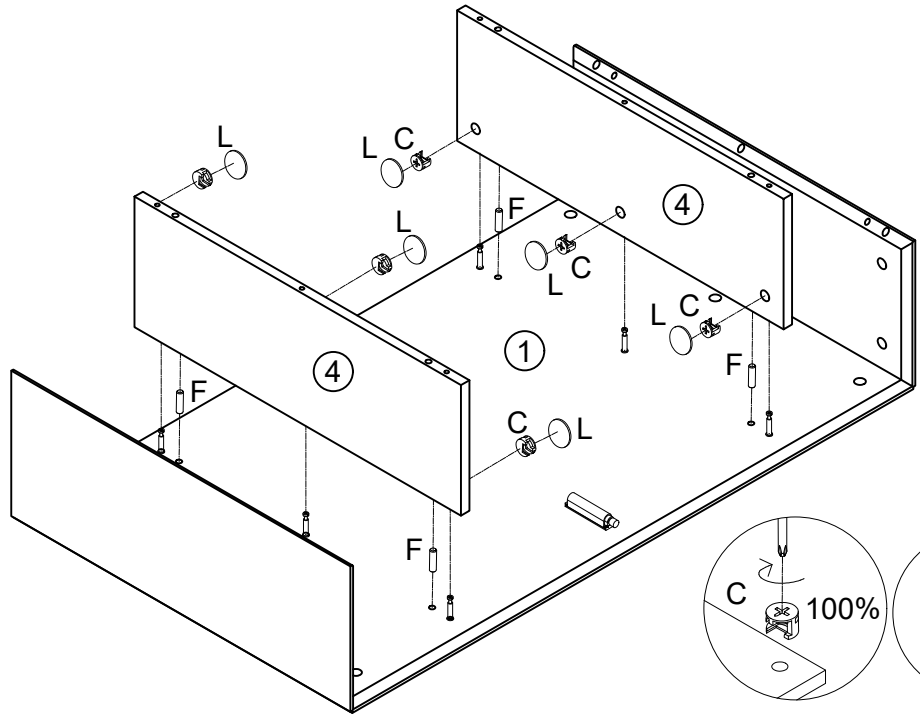




C	L	E
Φ15x11mm CAM Lock	Φ20mm Cover	Φ6x25mm Wooden Dowel
6pcs	6pcs	4pcs

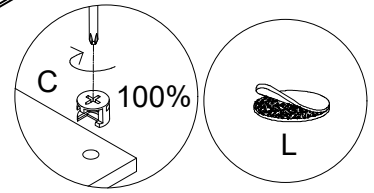
4. Lock the CAM Locks tightly.



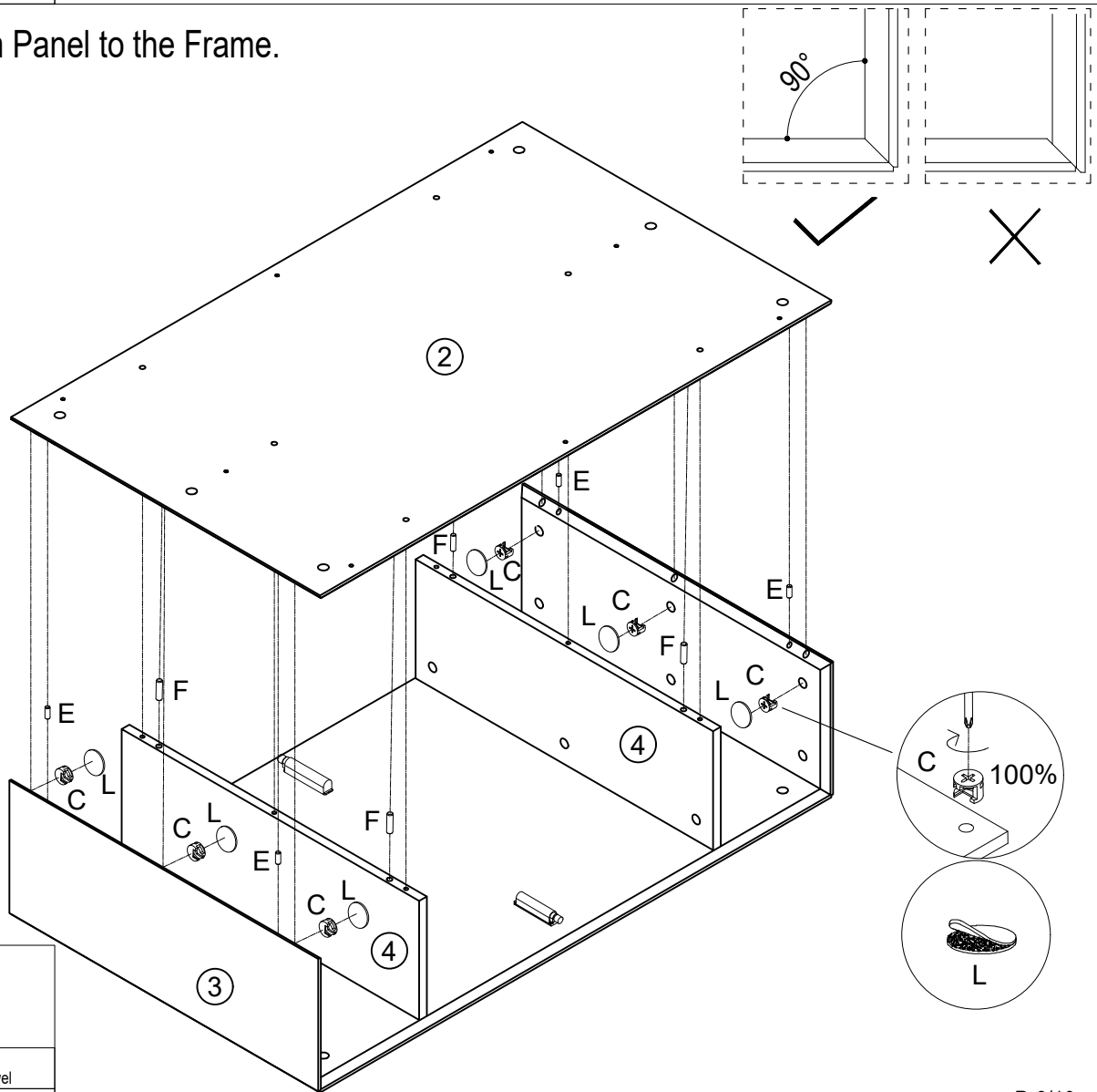
5. Attach the Middle Panel to the Frame.


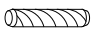



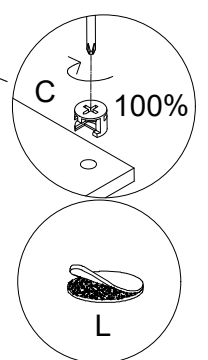
L		
	Φ20mm Cover	
	6pcs	
C		F
	Φ15x11mm CAM Lock	Φ8x30mm Wooden Dowel
	6pcs	4pcs



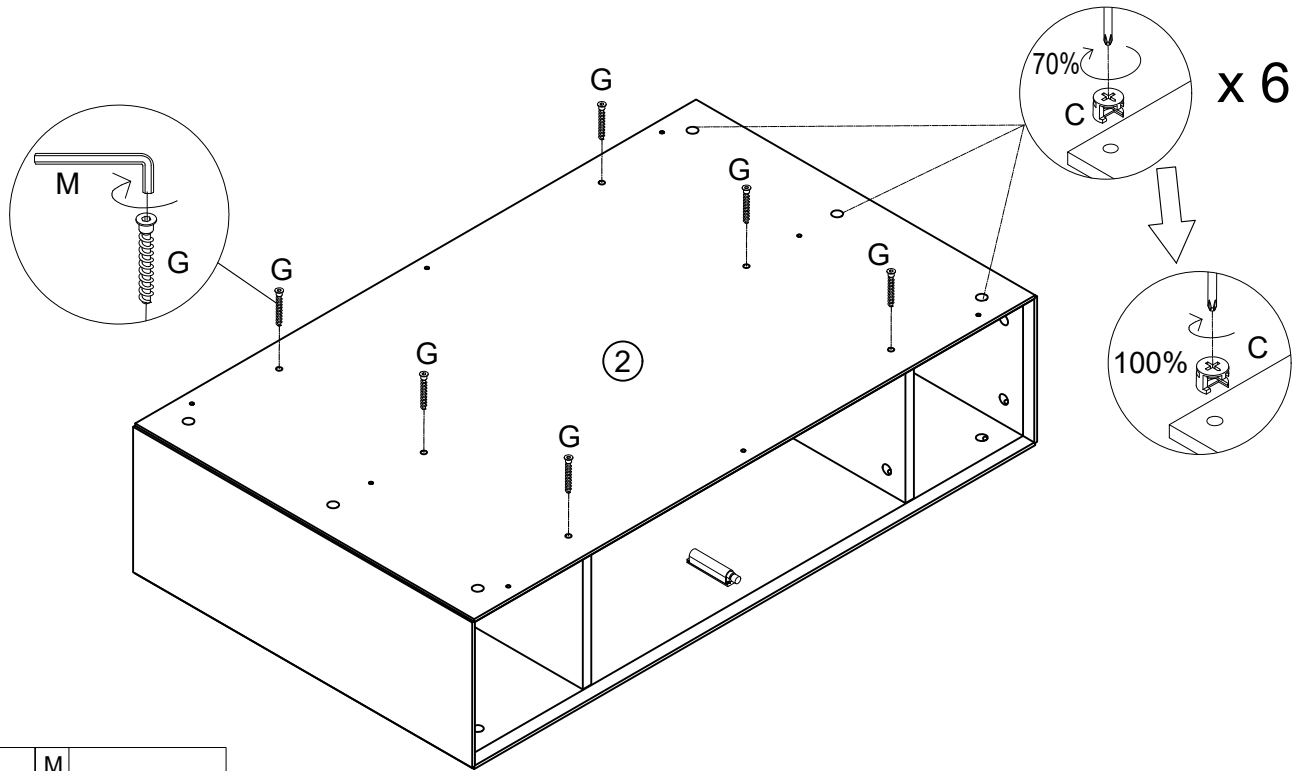
6. Attach the Bottom Panel to the Frame.


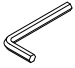


L		
	Φ20mm Cover	
	6pcs	
F		
	Φ8x30mm Wooden Dowel	
	4pcs	
C		E
	Φ15x11mm CAM Lock	Φ6x25mm Wooden Dowel
	6pcs	4pcs

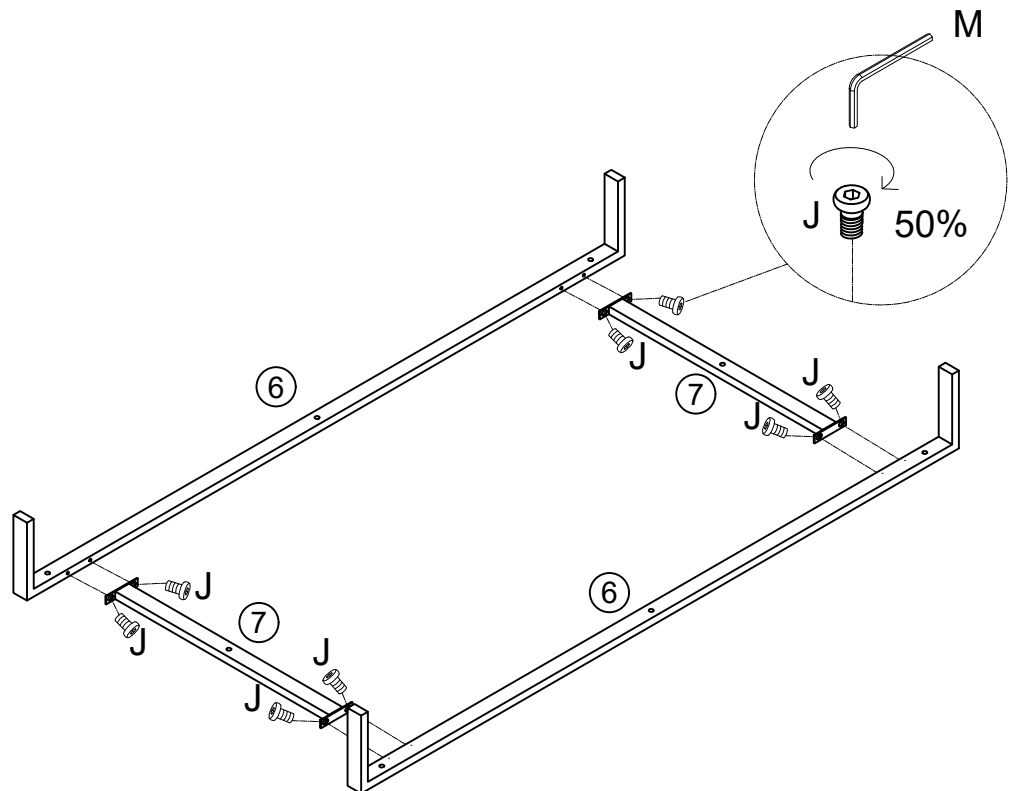


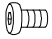
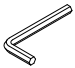
7. Lock the CAM Locks tightly.



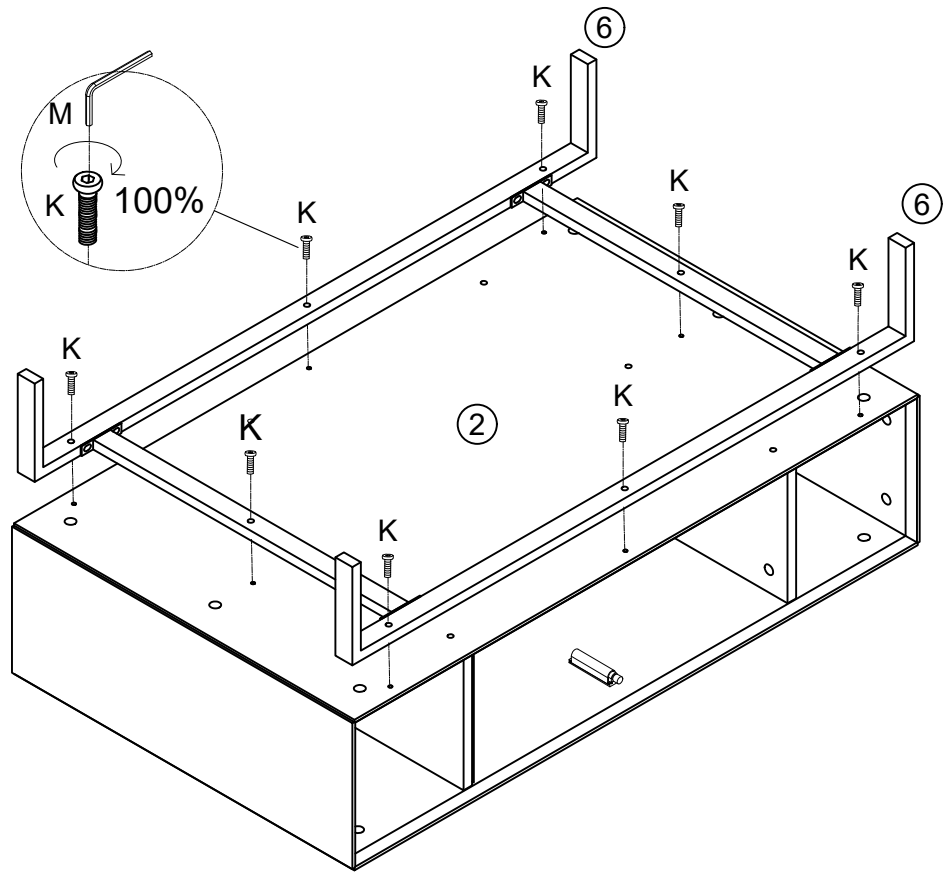
G		M	
	M7x50mm Screw		4mm Allen Key
	6pcs		1pc

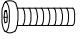
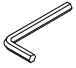
8. Attach the Legs to the Leg Supports.



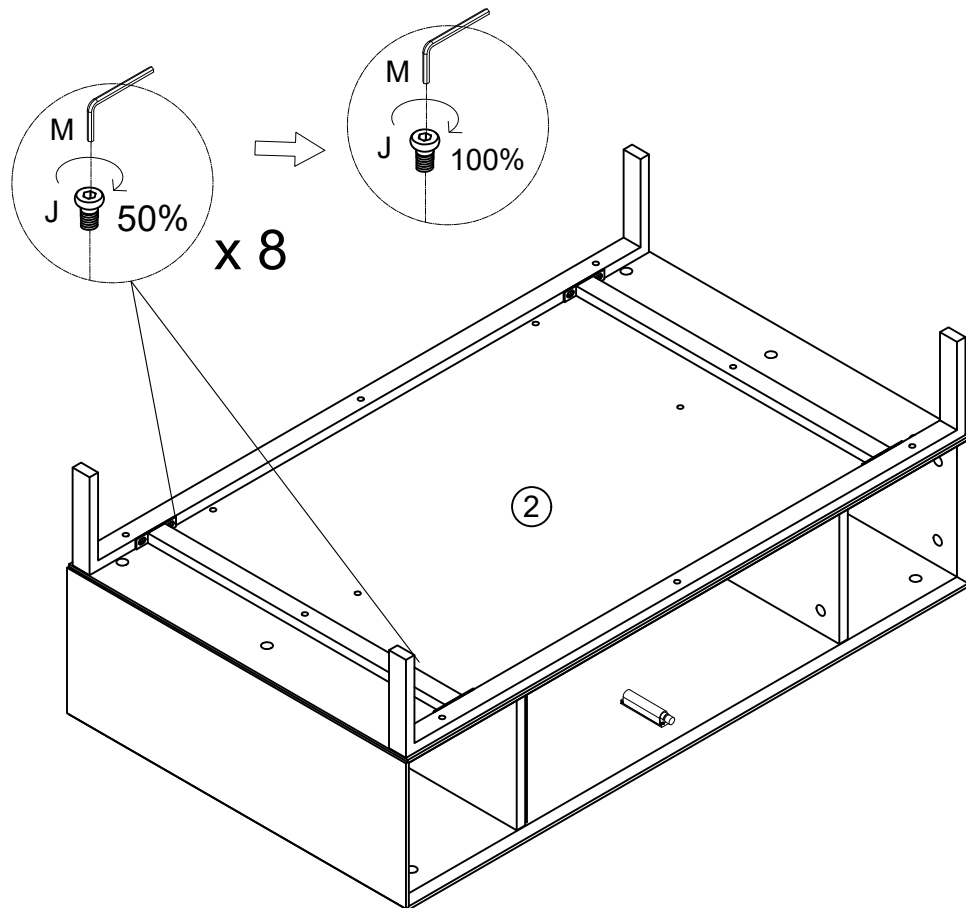
J		M	
	M6x12mm Bolt		4mm Allen Key
	8pcs		1pc

9. Attach the Legs to the Frame.

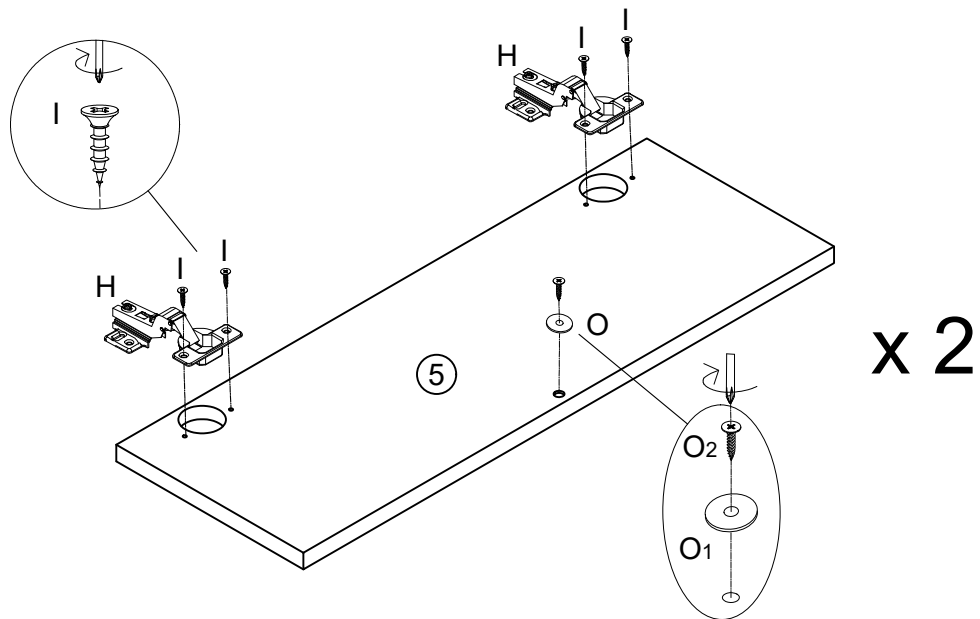



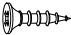

K	M
	
M6x25mm Bolt	4mm Allen Key
8pcs	1pc

10. Lock the Bolts tightly.

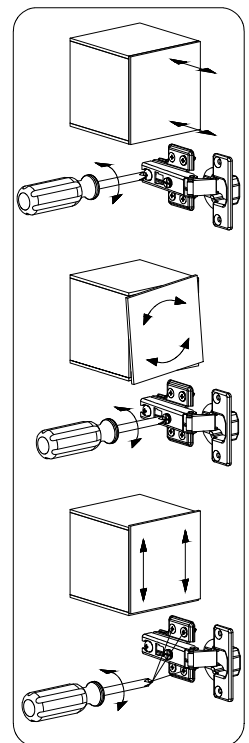
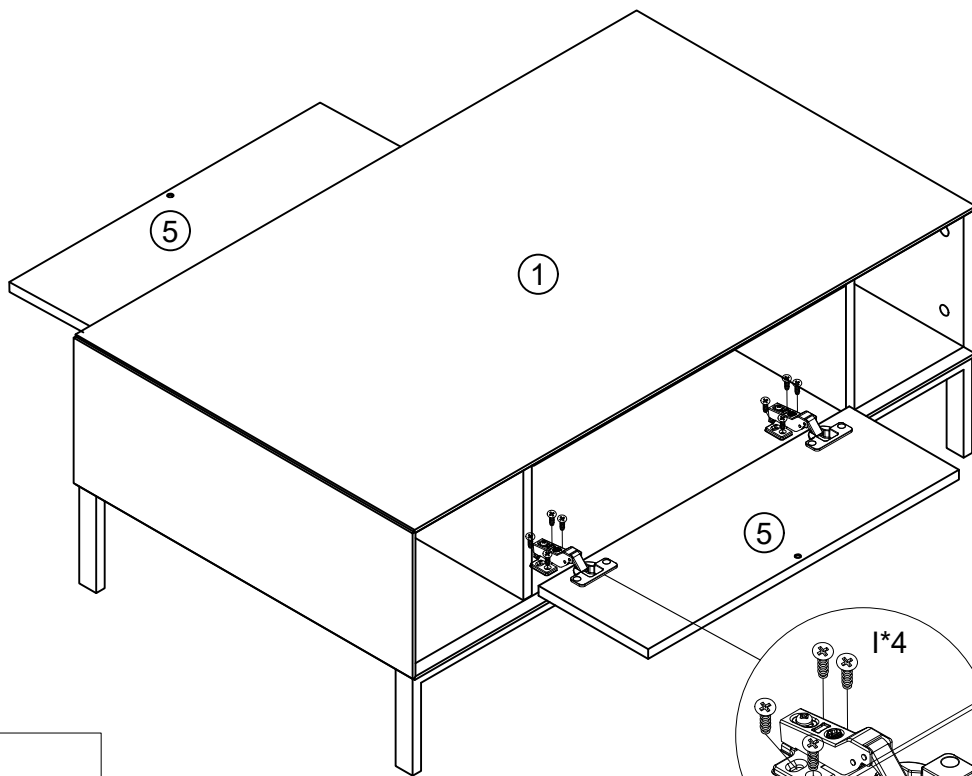


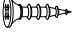
11. Attach parts to the Doors.



H 	I 	O 
Hinge 4pcs	M4x14mm Screw 8pcs	Ø16mm Screw and Washer 2pcs

12. Attach the Doors to the Frame.



I 
M4x14mm Screw 16pcs

x 4

13. Adjust the pushers to appropriate position.

