

DUSK.COM

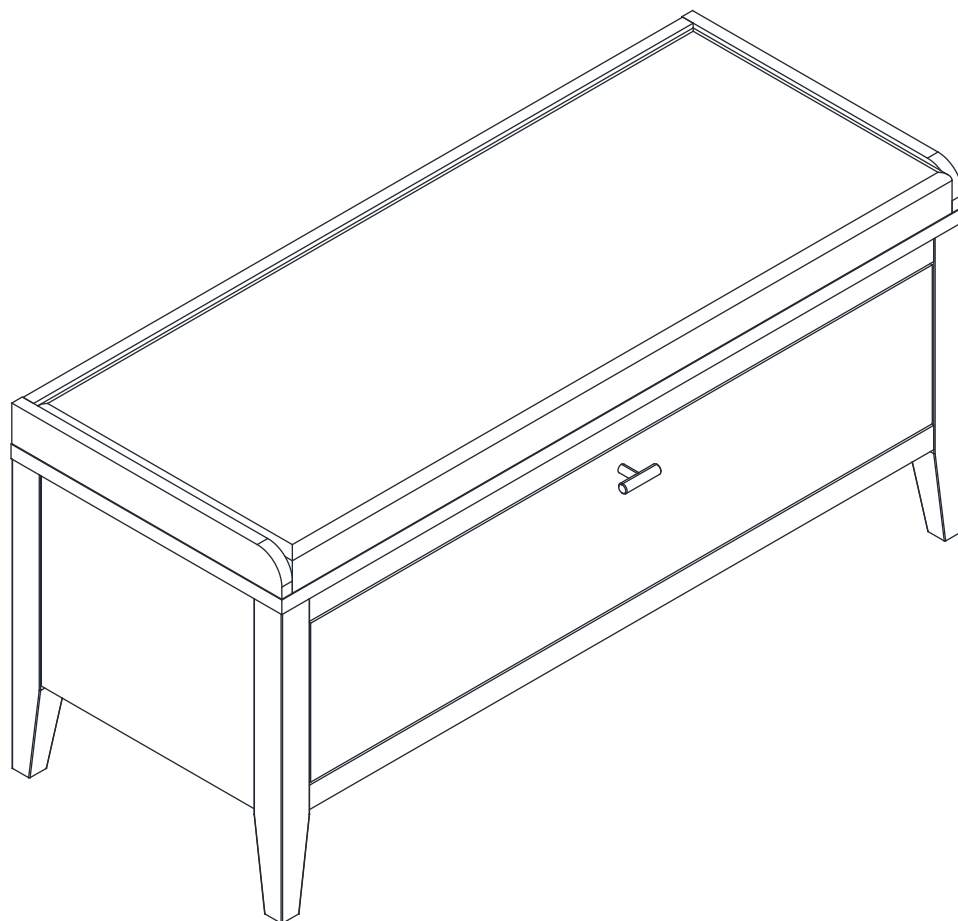
LIVING | BEDROOM | DINING

Range Name: Nell Range - Wood

Box 1 Dimensions:W112xD493.5xH15.5cm

Nell Product Dimensions:W100xD40xH45cm

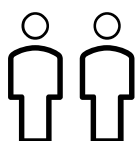
Storage with Seat



THIS INSTRUCTION BOOKLET CONTAINS IMPORTANT SAFETY INFORMATION.
PLEASE READ AND KEEP FOR FUTURE REFERENCE.



40 minutes approx
assembly time



Two adults
assembly required

This product is intended for domestic use only, not for commercial purposes.

P-1-14
V-2.0

Important

Assembly Tip

Before you begin, we advise laying everything out on a clean and soft level surface to avoid damaging the unit or your floor. It's best to identify all of the parts and fittings to build your storage with seat , and to familiarise yourself with all of the parts and fittings before building.

Top Tip

We recommend that you build your new storage with seat in the room you'd like it to be located. This will help prevent any risk of damage to the product whilst moving it.

Safety and Care

1. It's important to ensure children and animals are kept away from the assembly area, as there are small components used in this storage with seat which could present a choking hazard. All plastic and wrapping materials should also be kept away from children and animals to prevent any risk of suffocation.
2. Do not stand on your product.
3. Always use the item on firm level ground, ensuring all legs remain in contact with the ground.
4. Place heaviest items in the lowest drawers.
5. Do not set TV or other heavy objects on top of the product.
6. Children should always be under supervision whilst using this product. Never allow children to climb on the drawers.
7. Never keep more than one drawer open at the same time.
8. The installation of anti tipping kit to secure your furniture is strongly suggested.
9. Serious or fatal crushing injuries can occur from tipping furniture.

Help and Support

Please contact our customer service team on 0113 519 0311 if you have any questions or issues with your purchase.

Recycling

Please ensure that packaging is disposed of in a safe and environmentally friendly way, and recycle where possible. Please keep your assembly instructions safe to refer back to in the future.

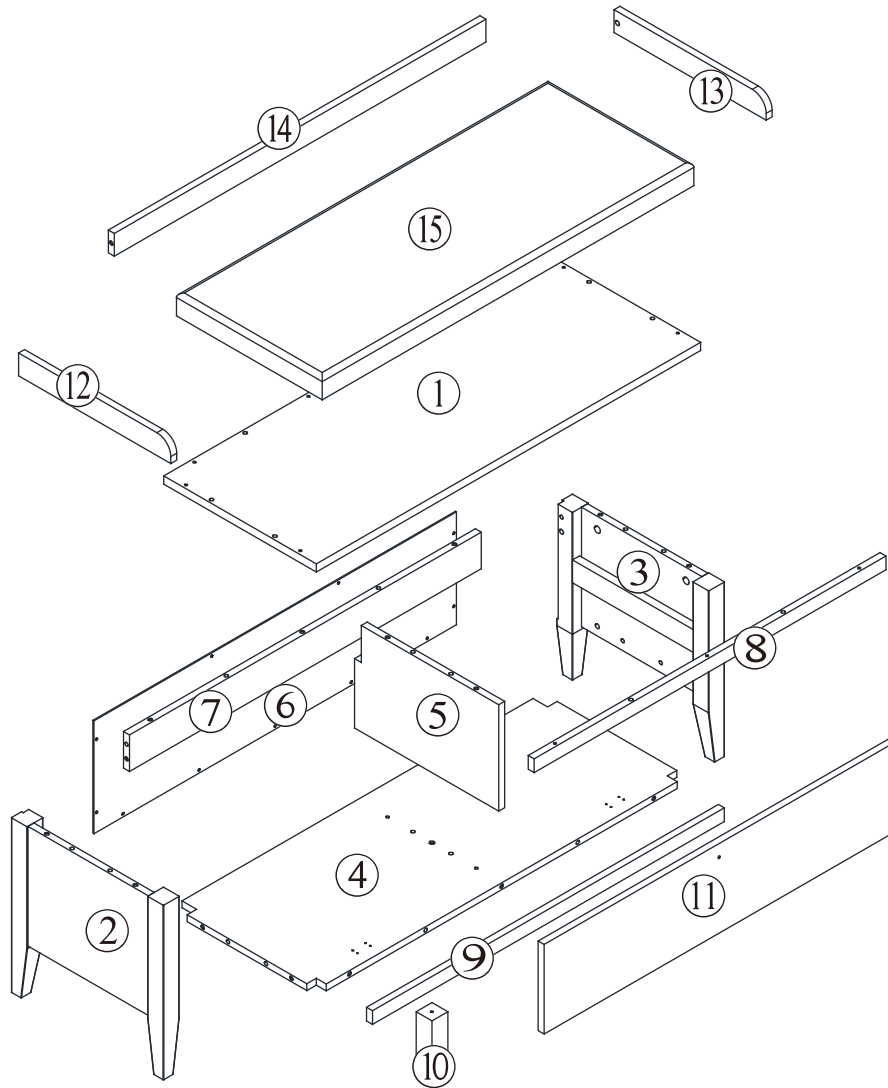
Care and Maintenance

1. Only clean using a damp cloth, do not use bleach or abrasive cleaners as they may damage the finish over time.
3. Do not scrub or rub the surface when cleaning.
2. Do not use a very wet cloth or allow any liquid to contact with the veneer for a long period of time. Wipe any spillage immediately. Absorption can cause wood to warp or finishes to de-laminate.
4. Do not drag the storage with seat when moving, lift it off the floor instead.
5. Use a placemat or a coaster when putting hot items (e.g. hot drinks and dishes) on the wood surface.
6. It is not recommended to place the item next to sources of heat such as radiators, fires or directly exposed to sunlight. This may cause the wood to crack, split or fade due to the change of the humidity and temperature.
7. Wood will mellow and change colour over time, we recommend that ornaments and items placed on the surface to be moved regularly to prevent uneven mellowing.
8. Regularly check all fixings to ensure none have come loose. Re-tighten if necessary.
9. Avoid sharp items such as a screwdriver or any pointy tools.

Parts checklist

Please check you have all the parts listed below with your product:

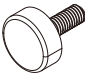
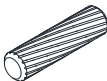
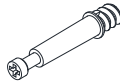


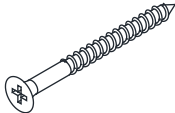
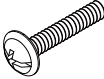

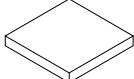
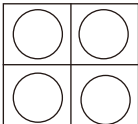
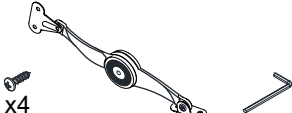
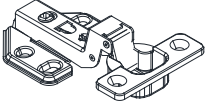
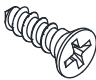
Do not discard any of the packaging until you have checked that you have all the parts and the pack of fixings.



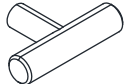



Part Number	Part Description	Quantity	Box No	Part Number	Part Description	Quantity	Box No
①	Top	1PC	Box 1	⑨	Bottom Trim	1PC	Box 1
②	Left Side Panel With Slide	1PC	Box 1	⑩	Support feet	1PC	Box 1
③	Right Side Panel With Slide	1PC	Box 1	⑪	Door	1PC	Box 1
④	Bottom Panel	1PC	Box 1	⑫	Upper Left Rail	1PC	Box 1
⑤	Divider Panel	1PC	Box 1	⑬	Upper Right Rail	1PC	Box 1
⑥	Back Panel	1PC	Box 1	⑭	Upper Back Rail	1PC	Box 1
⑦	Back Rail	1PC	Box 1	⑮	Seat cushion	1PC	Box 1
⑧	Top Trim	1PC	Box 1				

Fittings checklist

Please check you have all the fittings listed below with your product (in box 1):

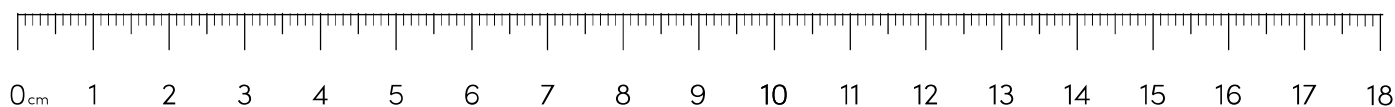
 (A) Adjustable Foot x1pc	 (B) M7.8x30mm Wood dowel x26pcs(+2 extra)	 (C) 36mm Cam bolt x20pcs
 (D) M15x9.5mm Cam x20pcs	 (E) M4x35mm Screw x11pcs(+1 extra)	 (F) M5x50mm Screw x3pcs
 (G) Screw M4x20mm or M4x16mm x1pc	 (H) M3x14mm Screw x11pcs(+1 extra)	 (I) 20x20mm Felt pad x4pcs
 (J) M20 Sticker x8pcs(+1 extra)	 (K) Hinge x1pc	 (L) Hinge x2pcs
 (M) M4x14mm Screw x12pcs		

Separate Packaging.

 (N) Handle x1pc Screw M4x20mm x1pc	OR  Handle x1pc Screw M4x16mm x1pc	OR  Handle x1pc Screw M4x20mm x1pc	OR  Handle x1pc Screw M4x20mm x1pc
---	--	--	--

Note: We have 4 styles of handle, all assemble identically so please follow the same instructions for all. Handle and corresponding screws are packaged separately.

Bolt Length Ruler:



Tool required



Helpful hints

WARNING: Open and close the doors to make sure they are aligned and shut correctly. If necessary, adjust the screws and bolts for a good fit.

1

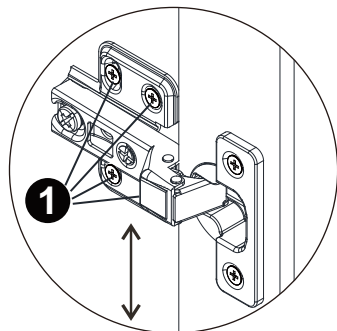


Figure 1: Adjust these 4 screws to adjust the up and down direction of the door.

2

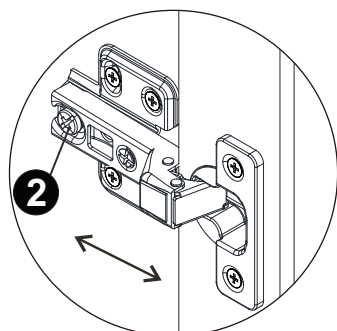


Figure 2: Adjust the bolt to adjust the front and rear direction of the door.

3

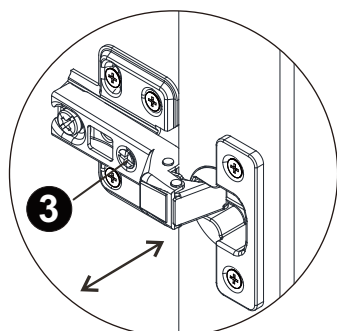
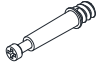
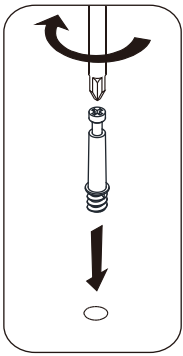
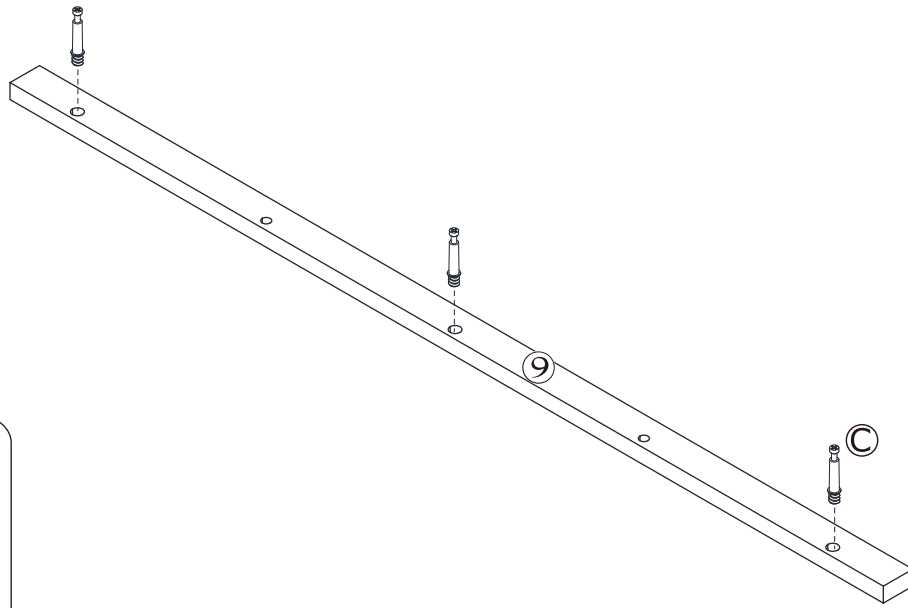


Figure 3: Adjust the bolt to adjust the left and right direction of the door.

Step 1:

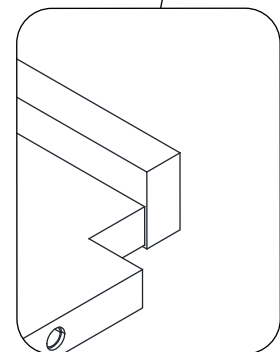
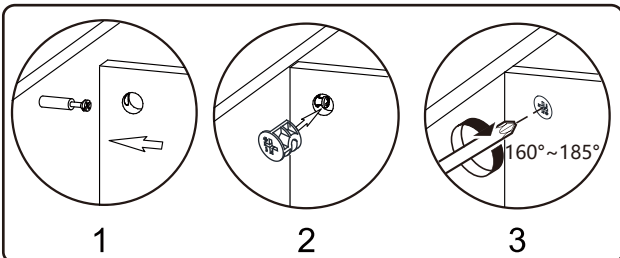
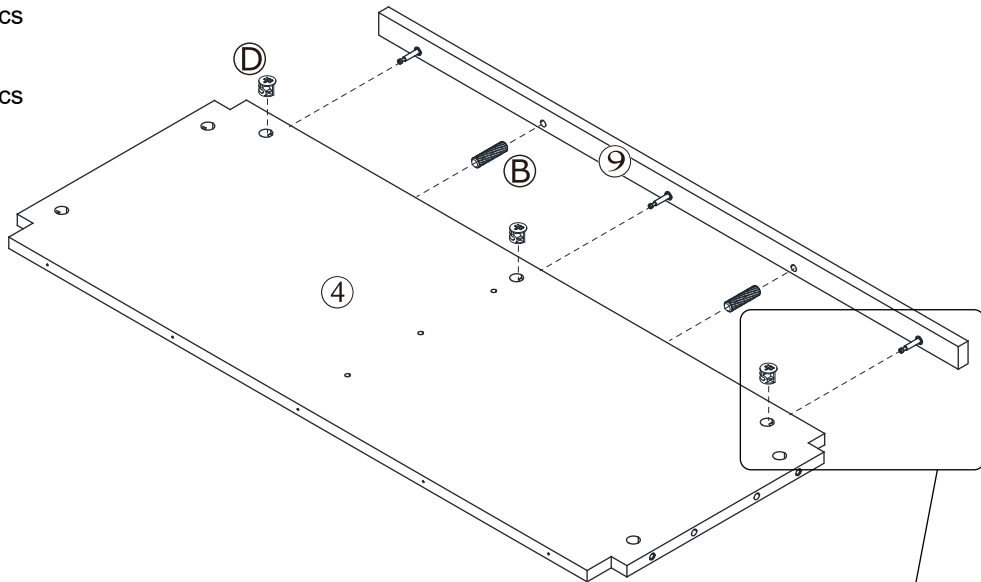
Ⓒ  3pcs





Step 2:

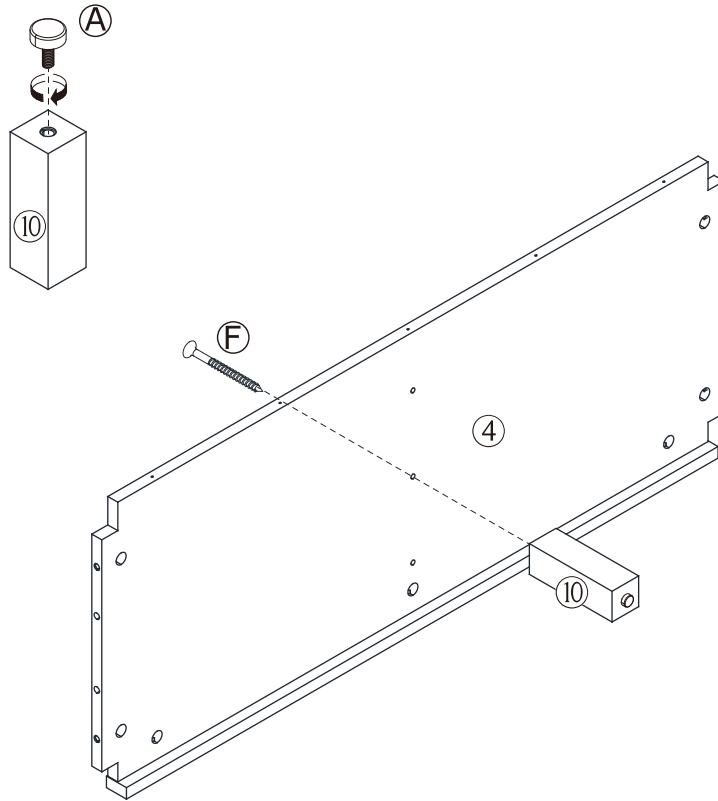
Ⓑ  2pcs

Ⓓ  3pcs





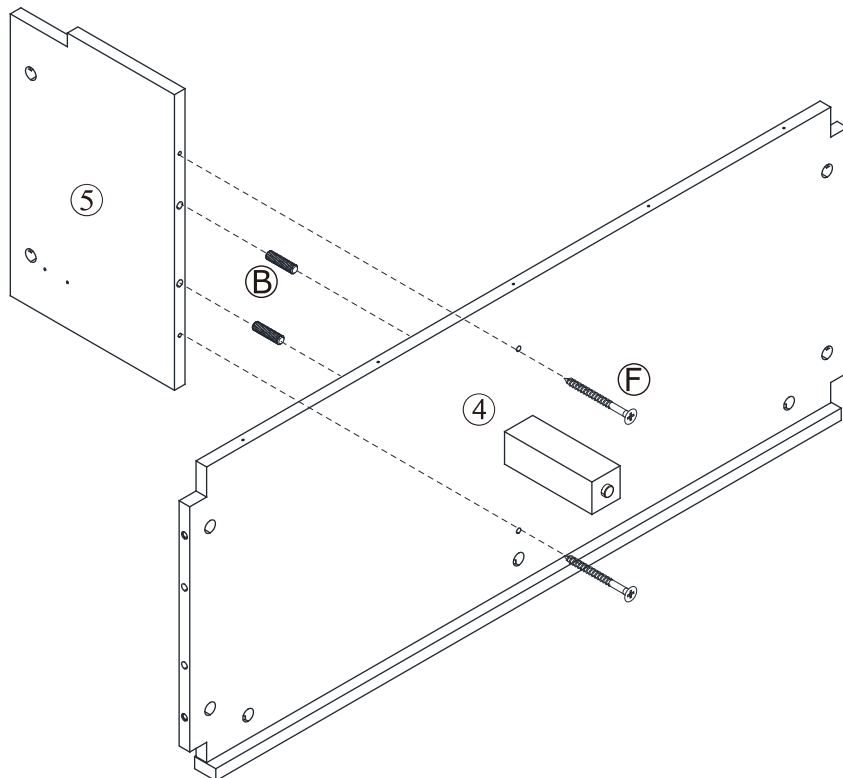
Step 3:

- (A)  1pc
- (F)  1pc




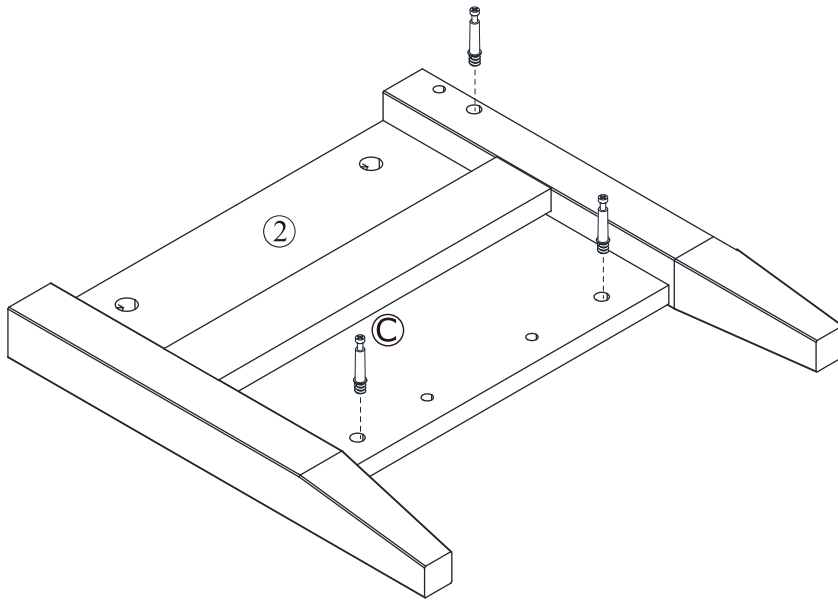
Step 4:

- (B)  2pcs
- (F)  2pcs



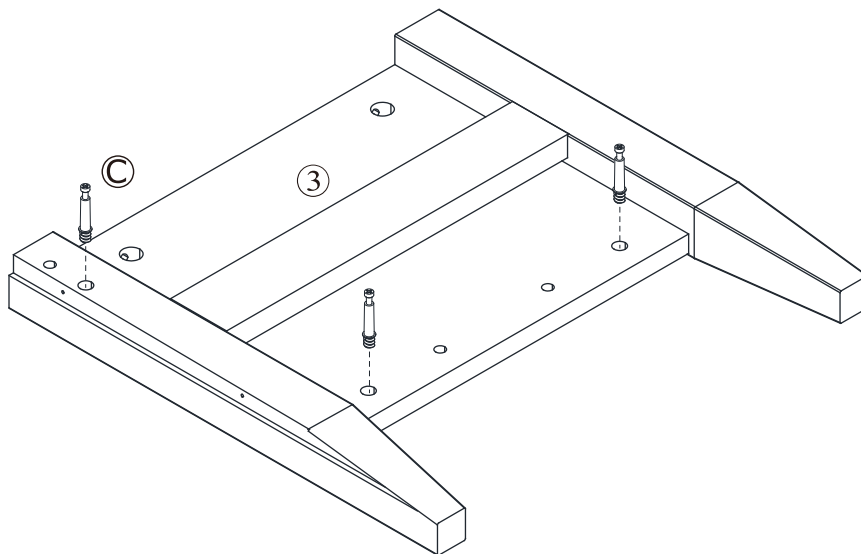
Step 5:

Ⓒ  3pcs




Step 6:

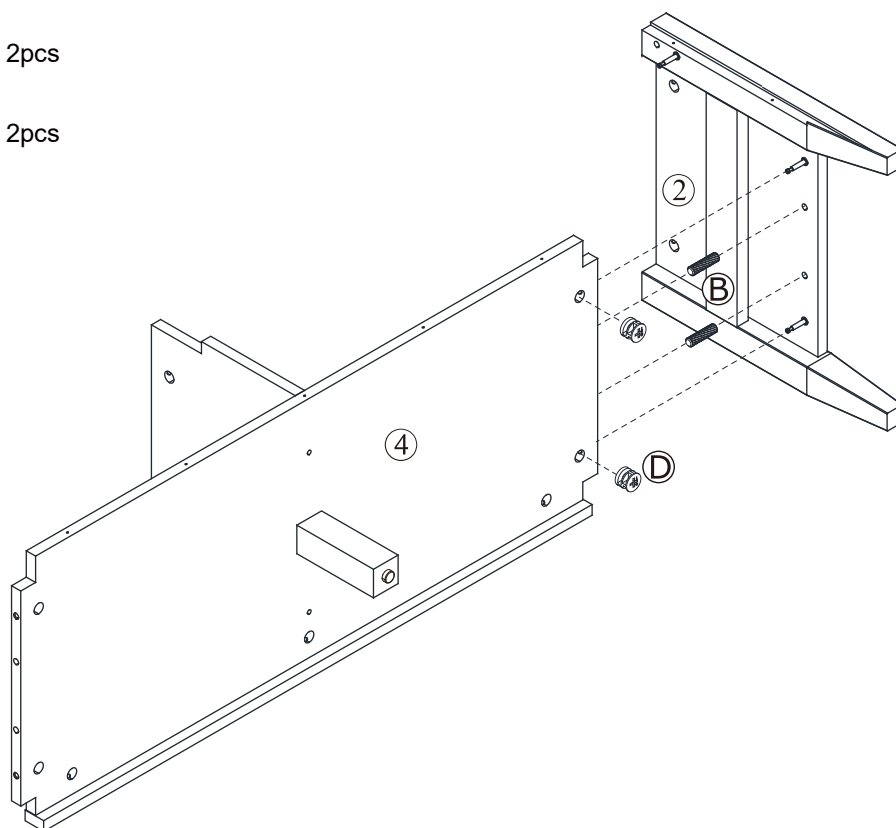
Ⓒ  3pcs



Step 7:

Ⓑ  2pcs

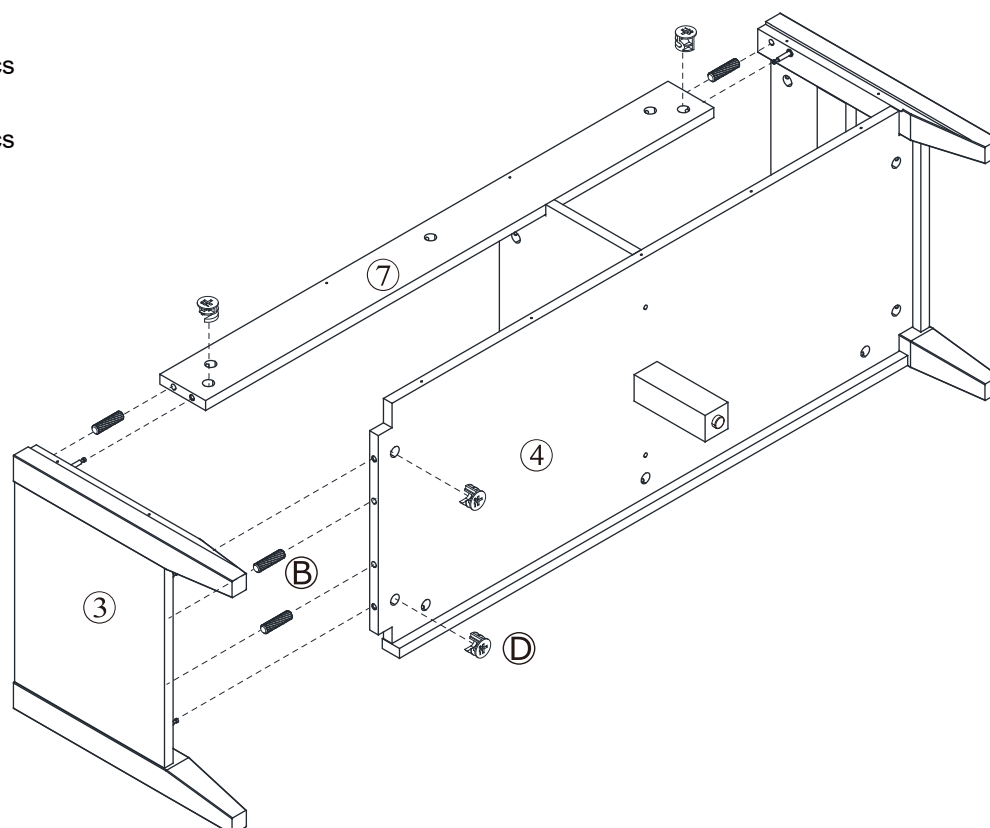
Ⓓ  2pcs



Step 8:

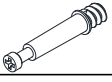
Ⓑ  4pcs

Ⓓ  4pcs

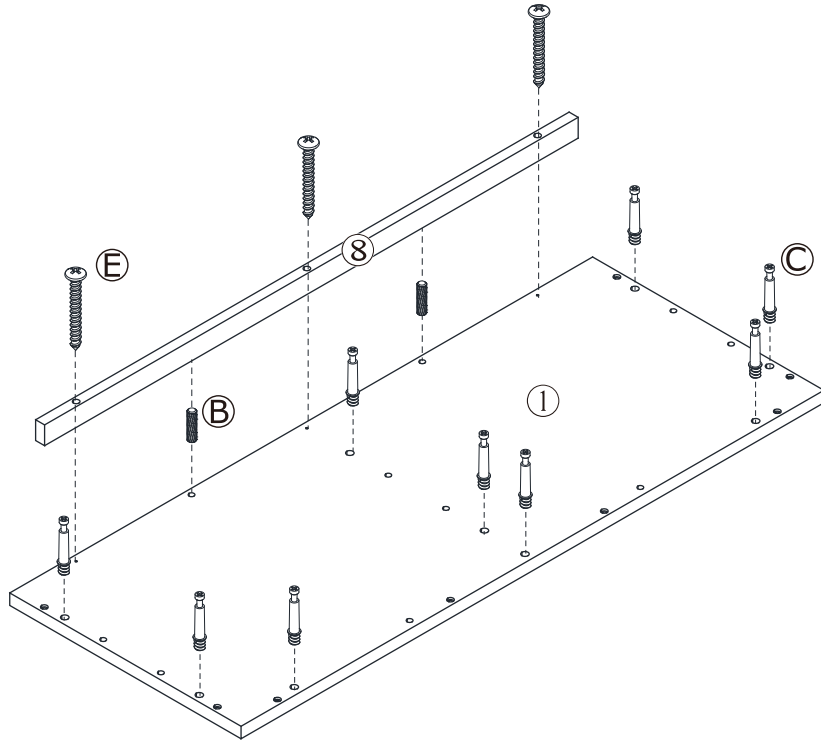


Step 9:

(B)  2pcs

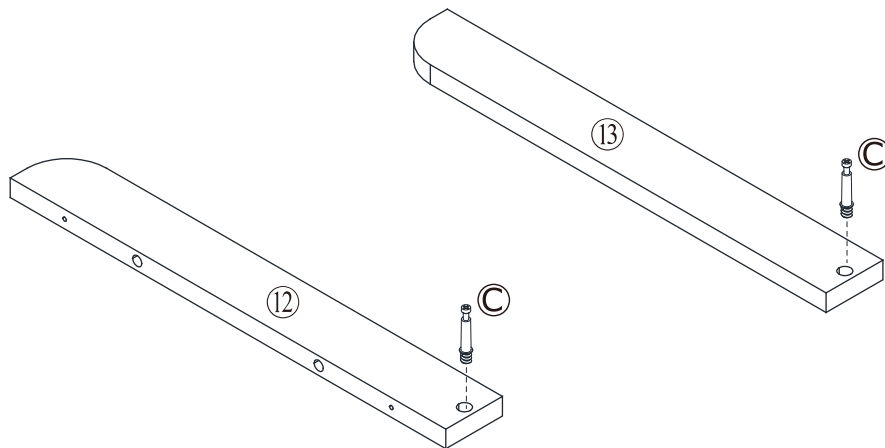
(C)  9pcs

(E)  3pcs




Step 10:

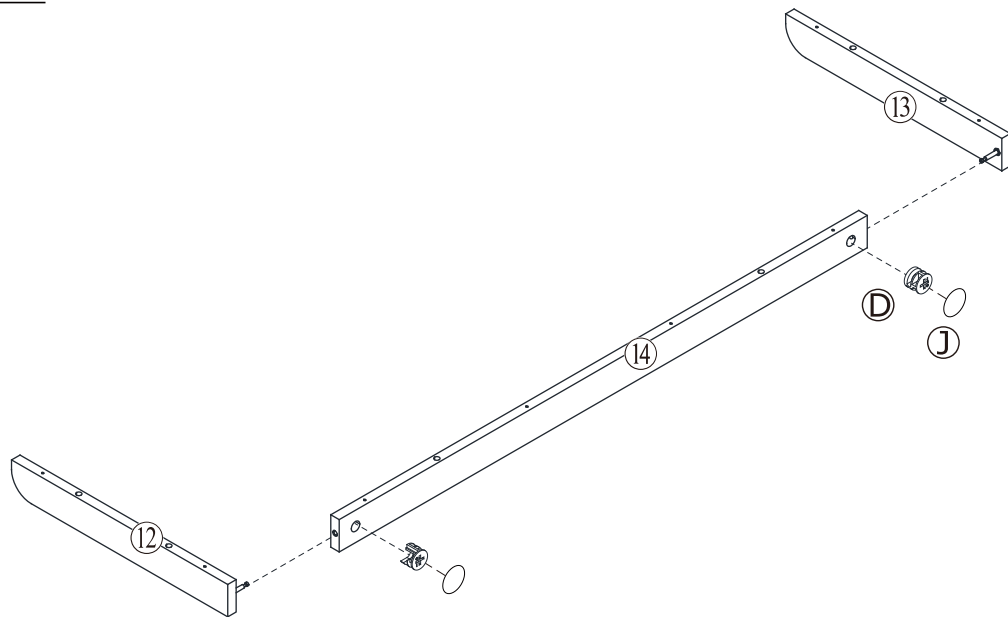
(C)  2pcs



Step 11:

Ⓓ  2pcs

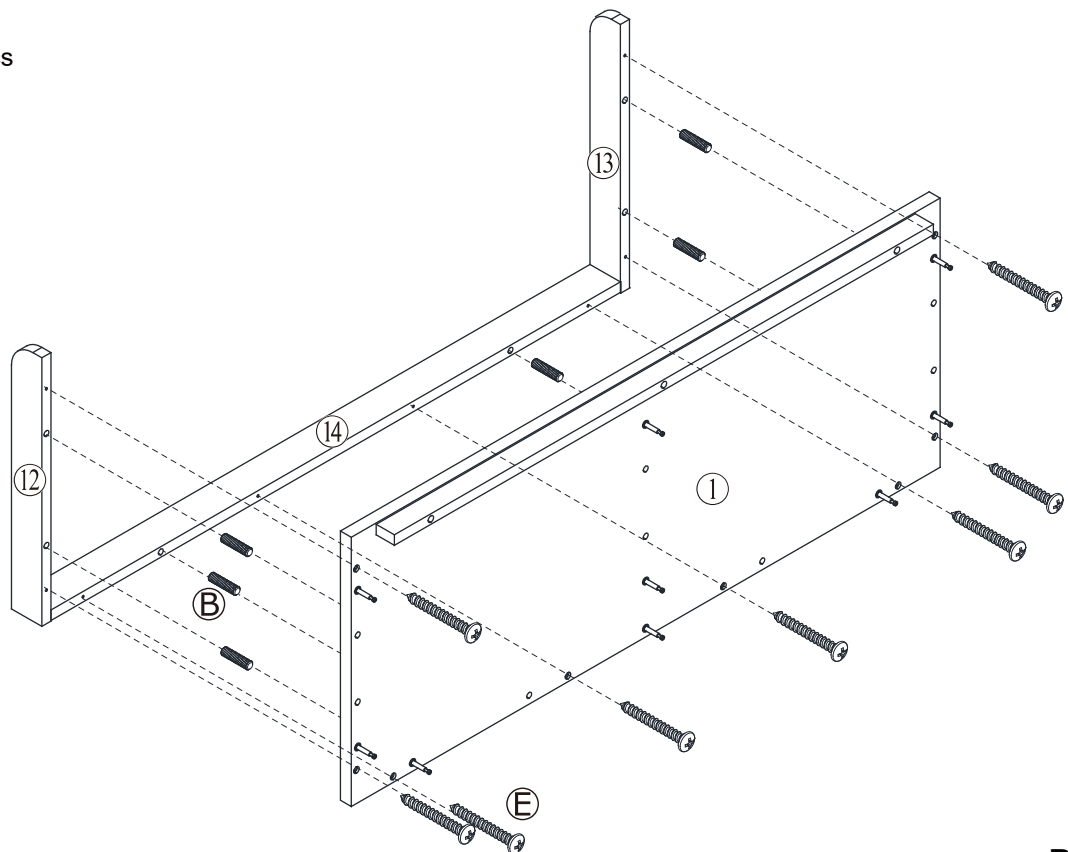
Ⓙ  2pcs



Step 12:

Ⓑ  6pcs


Ⓔ  8pcs

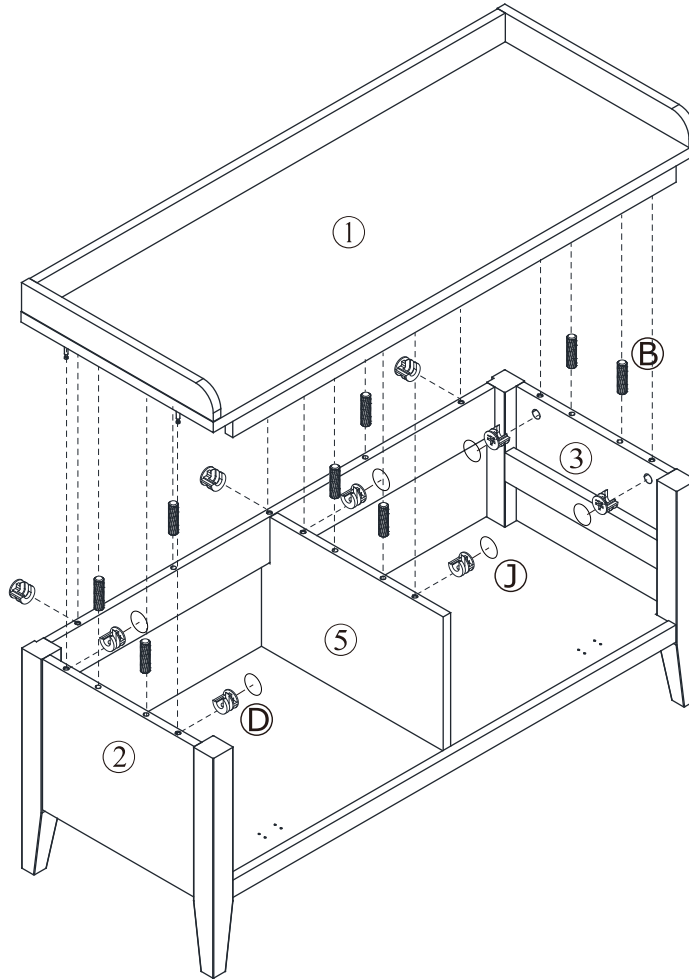


Step 13:

Ⓑ  8pcs

Ⓓ  9pcs

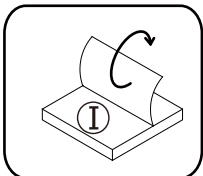
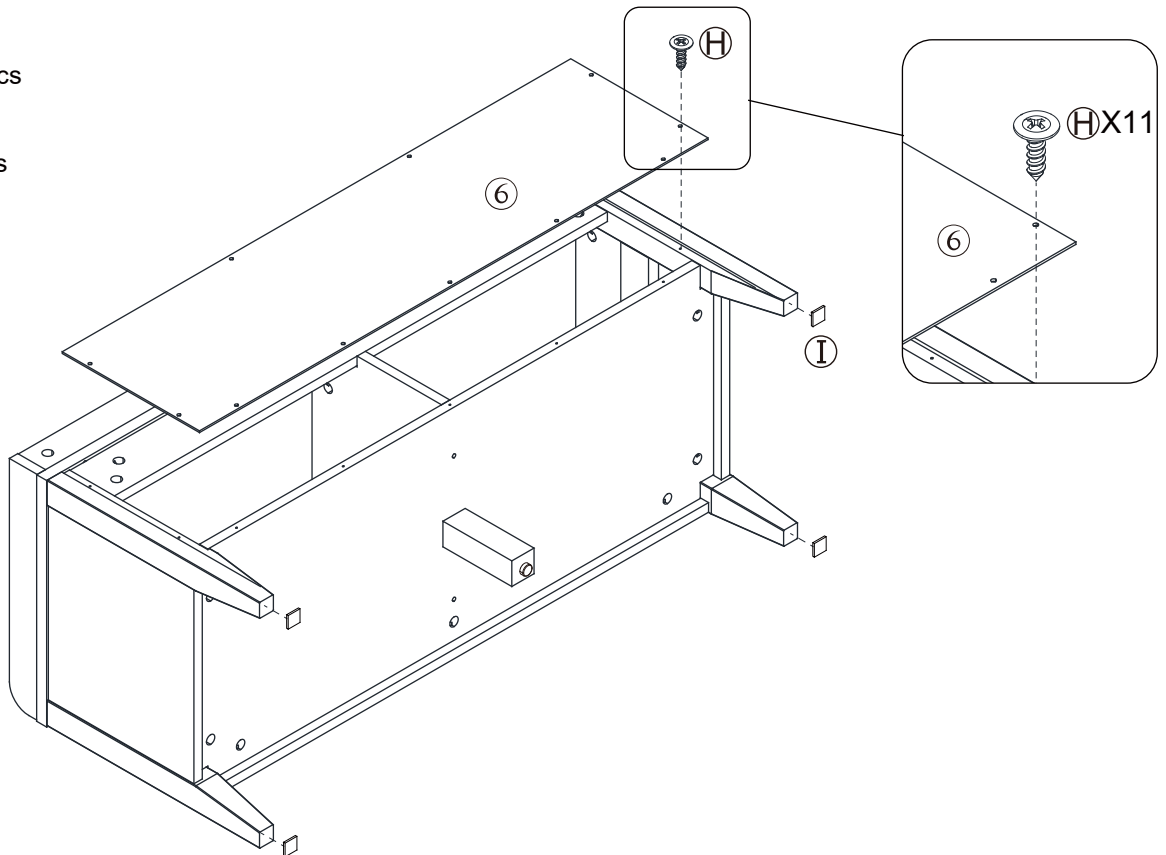
Ⓙ  6pcs



Step 14:

Ⓗ  11pcs

Ⓛ  4pcs




Step 15:

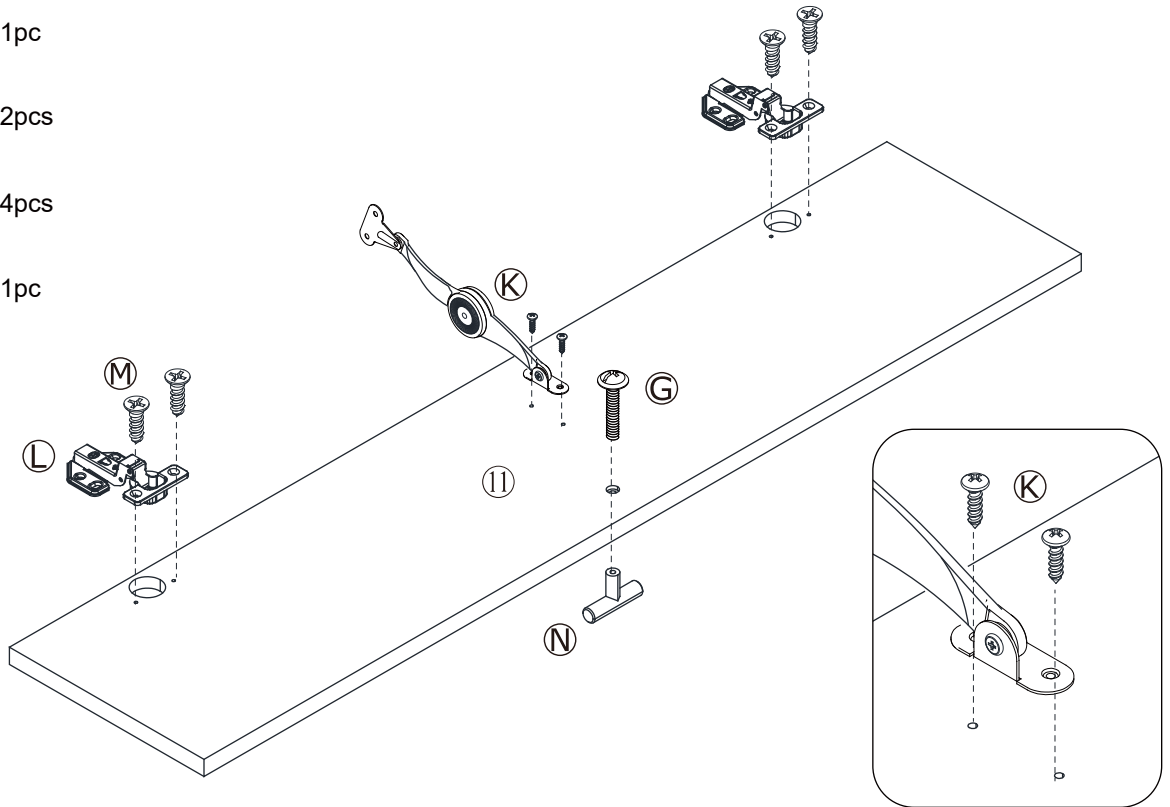
(G)  1pc

(K)  x4 1pc

(L)  2pcs

(M)  4pcs

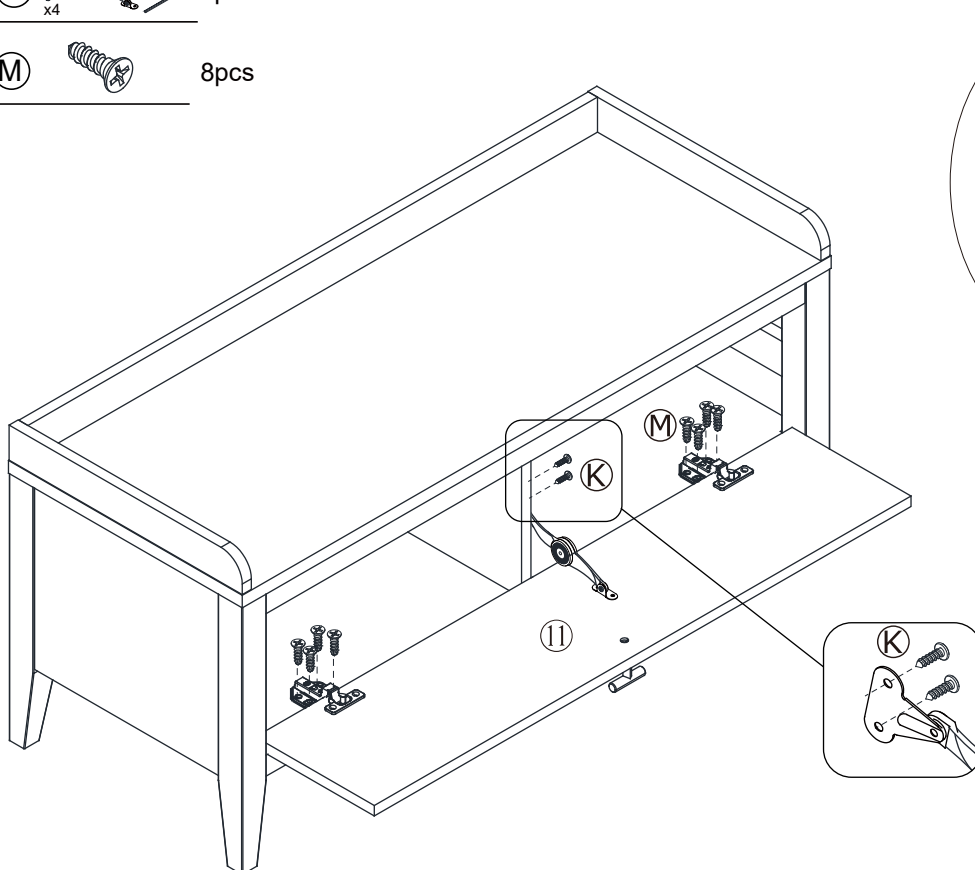
(N)  1pc



Step 16:

(K)  x4 1pc

(M)  8pcs



Step 17:

