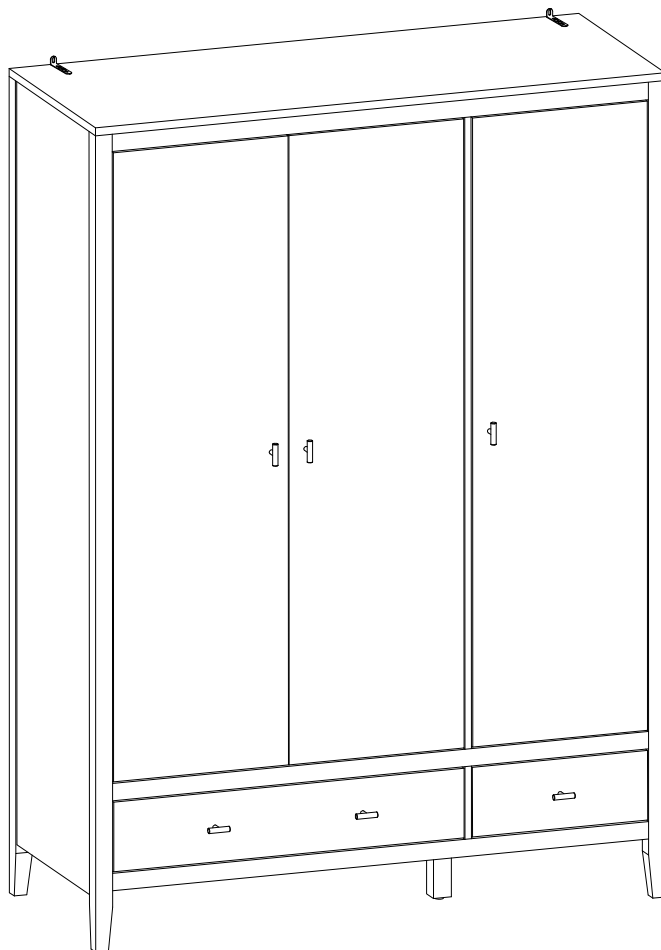


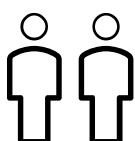
3 Door / 2 Drawer Wardrobe



THIS INSTRUCTION BOOKLET CONTAINS IMPORTANT SAFETY INFORMATION.
PLEASE READ AND KEEP FOR FUTURE REFERENCE.



90 minutes approx
assembly time



Two adults
assembly required

Important

Assembly Tip

Before you begin, we advise laying everything out on a clean and soft level surface to avoid damaging the unit or your floor. It's best to identify all of the parts and fittings to build your 3 door / 2 drawer wardrobe, and to familiarise yourself with all of the parts and fittings before building.

Top Tip

We recommend that you build your new 3 door / 2 drawer wardrobe in the room you'd like it to be located. This will help prevent any risk of damage to the product whilst moving it.

Safety and Care

1. It's important to ensure children and animals are kept away from the assembly area, as there are small components used in this 3 door / 2 drawer wardrobe which could present a choking hazard.
All plastic and wrapping materials should also be kept away from children and animals to prevent any risk of suffocation.
2. Do not stand on your product.
3. Always use the item on firm level ground, ensuring all legs remain in contact with the ground.
4. Place heaviest items in the lowest drawers.
5. Do not set TV or other heavy objects on top of the product.
6. Children should always be under supervision whilst using this product. Never allow children to climb on the drawers.
7. Never keep more than one drawer open at the same time.
8. The installation of anti tipping kit to secure your furniture is strongly suggested.
9. Serious or fatal crushing injuries can occur from tipping furniture.

Help and Support

Please contact our customer service team on 0113 519 0311 if you have any questions or issues with your purchase.

Recycling

Please ensure that packaging is disposed of in a safe and environmentally friendly way, and recycle where possible. Please keep your assembly instructions safe to refer back to in the future.

Care and Maintenance

1. Only clean using a damp cloth, do not use bleach or abrasive cleaners as they may damage the finish over time.
3. Do not scrub or rub the surface when cleaning.
2. Do not use a very wet cloth or allow any liquid to contact with the veneer for a long period of time. Wipe any spillage immediately. Absorption can cause wood to warp or finishes to de-laminate.
4. Do not drag the 3 door / 2 drawer wardrobe when moving, lift it off the floor instead.
5. Use a placemat or a coaster when putting hot items (e.g. hot drinks and dishes) on the wood surface.
6. It is not recommended to place the item next to sources of heat such as radiators, fires or directly exposed to sunlight. This may cause the wood to crack, split or fade due to the change of the humidity and temperature.
7. Wood will mellow and change colour over time, we recommend that ornaments and items placed on the surface to be moved regularly to prevent uneven mellowing.
8. Regularly check all fixings to ensure none have come loose. Re-tighten if necessary.
9. Avoid sharp items such as a screwdriver or any pointy tools.

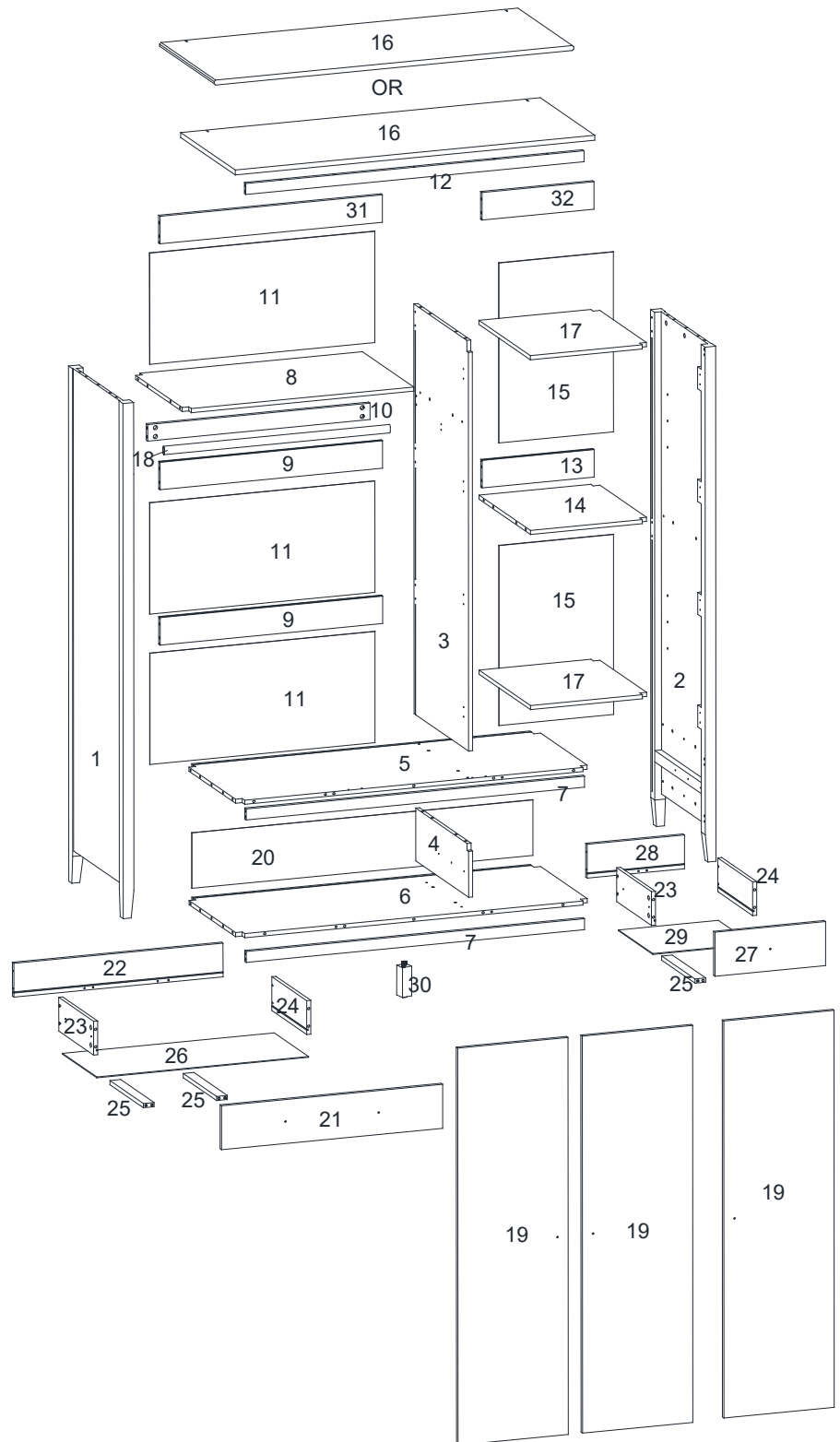
Parts checklist

Please check you have all the parts listed below with your product:

Do not discard any of the packaging until you have checked that you have all the parts and the pack of fixings.

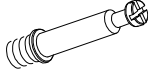


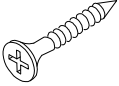
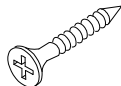
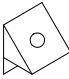

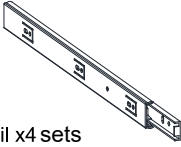

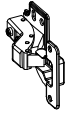


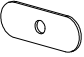

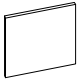
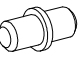
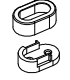

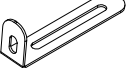
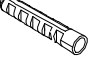
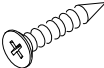

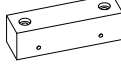

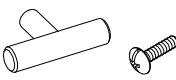


Note: There are 2 styles of part 16, both assemble identically so please follow the same instructions for whichever style you have chosen. Part 16 is packed in other boxes.

Part Number	Part Description	Qty
1	Left Panel	1 pc
2	Right Panel	1 pc
3	Middle Panel	1 pc
4	Bottom Middle Panel	1 pc
5	Bottom Shelf Panel	1 pc
6	Bottom Panel	1 pc
7	Lower Front Support Bar	2 pcs
8	Left Top Shelf Panel	1 pc
9	Left Lower Back Support Bar	2 pcs
10	Middle Back Support Bar	1 pc
11	Left Back Panel	3 pcs
12	Upper Front Support Bar	1 pc
13	Right Middle Back Support Bar	1 pc
14	Right Middle Shelf Panel	1 pc
15	Right Back Panel	2 pcs
16	Top Panel	1 pc
17	Right Upper Shelf Panel	2 pcs
18	Hanging Bar	1 pc
19	Door	3 pcs
20	Lower Back Panel	1 pc
21	Left Drawer Front	1 pc
22	Left Drawer Back Side	1 pc
23	Drawer Left Side	2 pcs
24	Drawer Right Side	2 pcs
25	Drawer support bar	3 pc
26	Left Drawer Bottom	1 pc
27	Right Drawer Front	1 pc
28	Right Drawer Back Side	1 pc
29	Right Drawer Bottom	1 pc
30	Centre Leg	1 pc
31	Left Upper Back Support Bar	1 pc
32	Right Upper Back Support Bar	1 pc

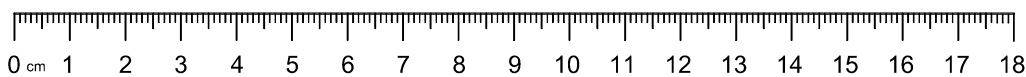


Fittings checklist

Please check you have all the fittings listed below with your product:

 (A) M6x35mm Cam Bolt x87pcs(+5 extra)	 (B) Ø15x9mm Cam x87pcs(+5 extra)	 (C) Ø8x30mm Wood Dowel x40pcs(+3 extra)
 (D) M4x45mm Screw x7pcs	 (E) M4x35mm Screw x16pcs(+1 extra)	 (F) Plastic Buckle x44pcs(+3 extra)
 (G) M3x14mm Screw x52pcs(+3 extra)	 (H) Slide Rail x4 sets	 (I) M3x10mm Screw x26pcs(+3 extra)
 (J) Hinge x12pcs	 (K) M3.5x12mm Screw x72pcs(+3 extra)	 (L) Cover x18pcs(+2 extra)
 (M) Door Strike Plate x6pcs	 (N) Door Catch x4pcs	 (O) Felt Mat x4pcs
 (P) Shelf Support x8pcs(+1 extra)	 (Q) Tube Bracket x2 sets	 (R) M3x14mm Screw x4pcs
 (S) Wall Bracket x2pcs	 (T) Wall Anchor x2pcs	 (U) M3x18mm Screw x4pcs
 (V) M4x25mm Screw x4pcs	 (W) Wooden Block x2pcs	
<div style="display: flex; justify-content: space-around; align-items: flex-start;"> <div style="text-align: center;">  Handlex6pcs Screw M4X20mm X6pcs </div> <div style="text-align: center;">  Handlex6pcs Screw M4X20mm X6pcs </div> <div style="text-align: center;">  Handlex6pcs Screw M4X20mm X6pcs </div> <div style="text-align: center;">  Handlex6pcs Screw M4X16mm X6pcs </div> </div> <p>(Z) Note: We have 4 styles of handle, all assemble identically so please follow the same instructions for all. Handle and corresponding screws are packaged separately.</p>		

Bolt Length Ruler:





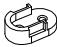



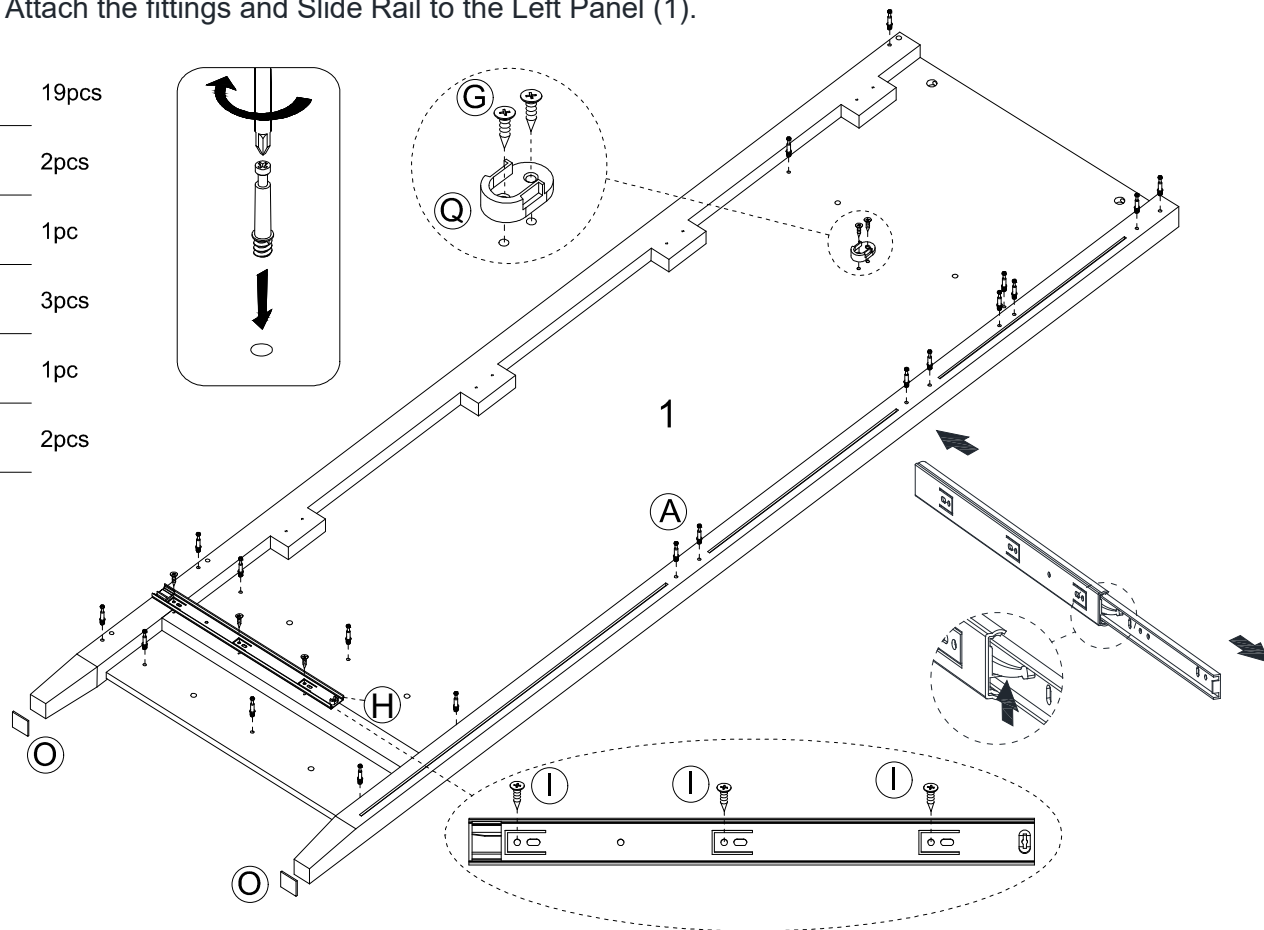
Tool required



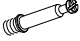



Crosshead Screwdriver (not provided)

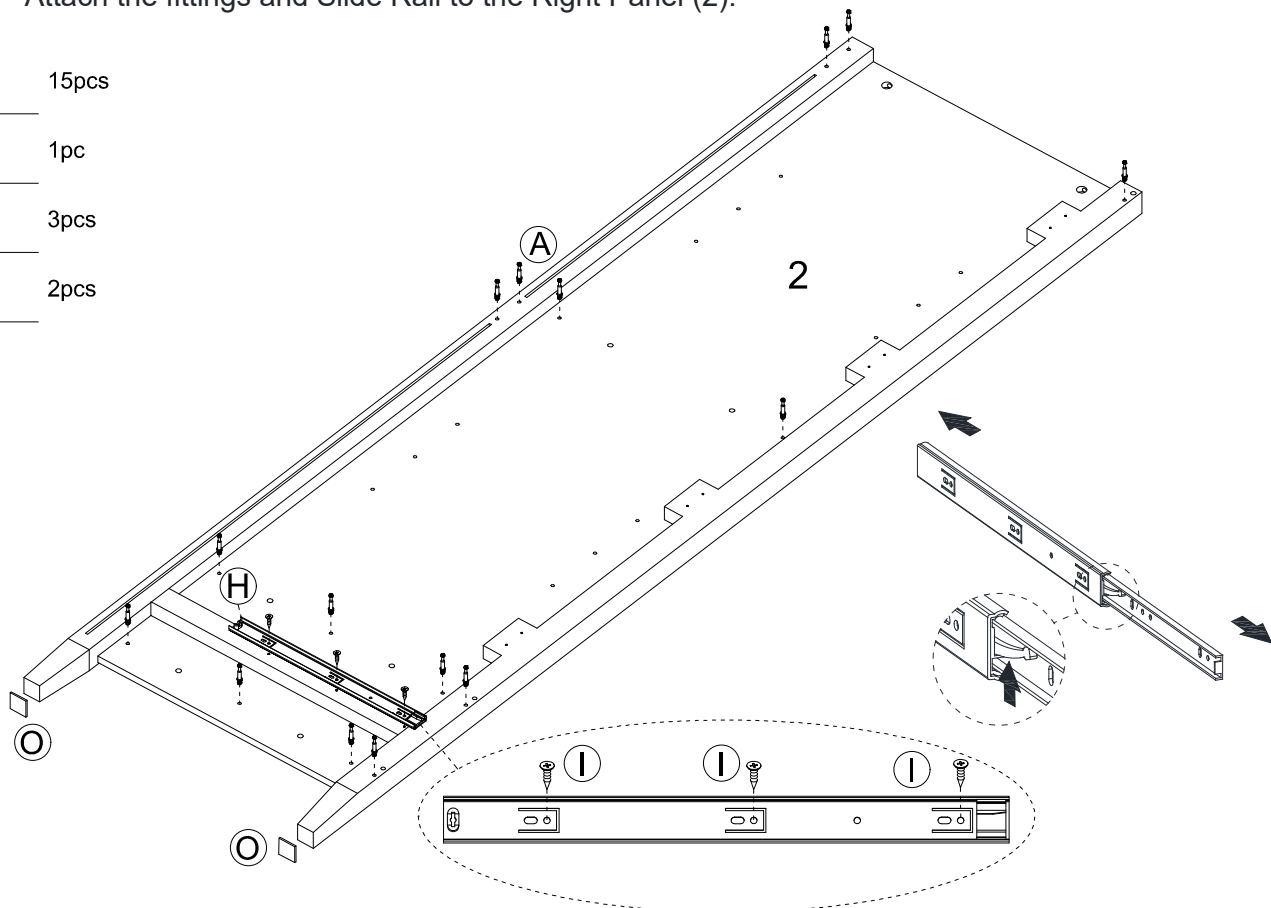
Step 1: Attach the fittings and Slide Rail to the Left Panel (1).

- (A)**  19pcs
- (G)**  2pcs
- (H)**  1pc
- (I)**  3pcs
- (Q)**  1pc
- (O)**  2pcs



Step 2: Attach the fittings and Slide Rail to the Right Panel (2).

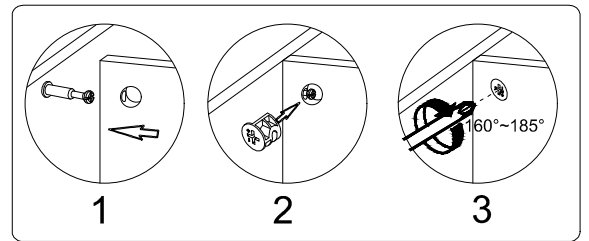
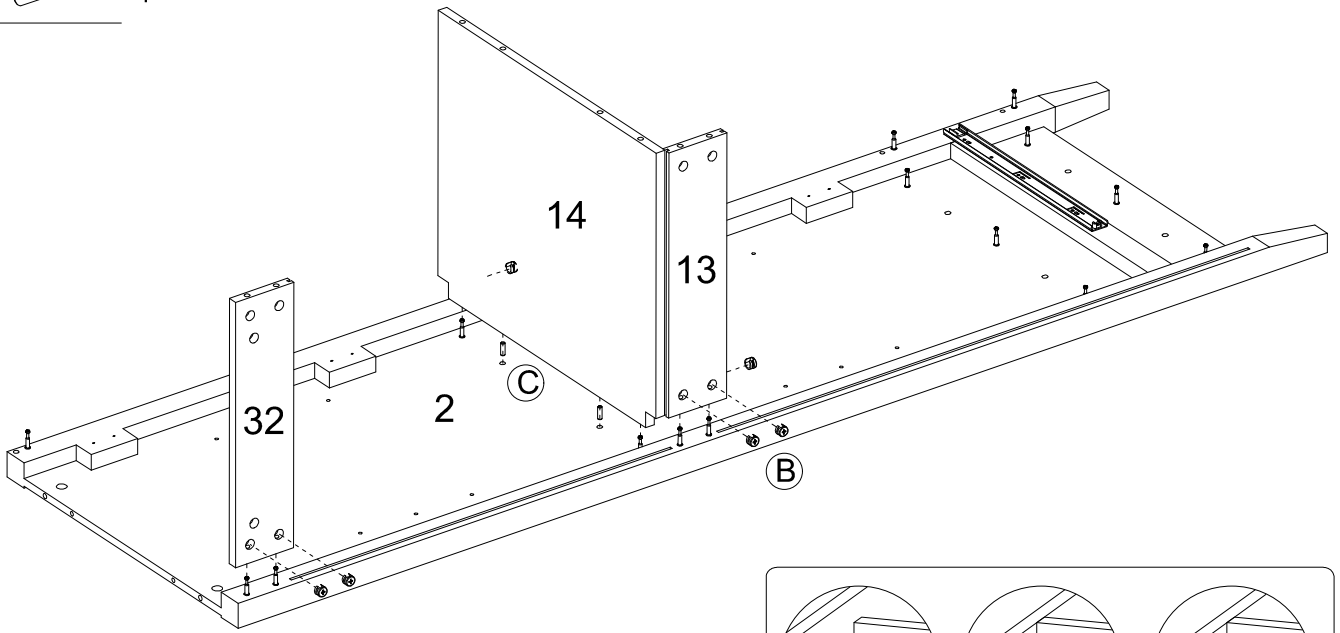
- (A)**  15pcs
- (H)**  1pc
- (I)**  3pcs
- (O)**  2pcs



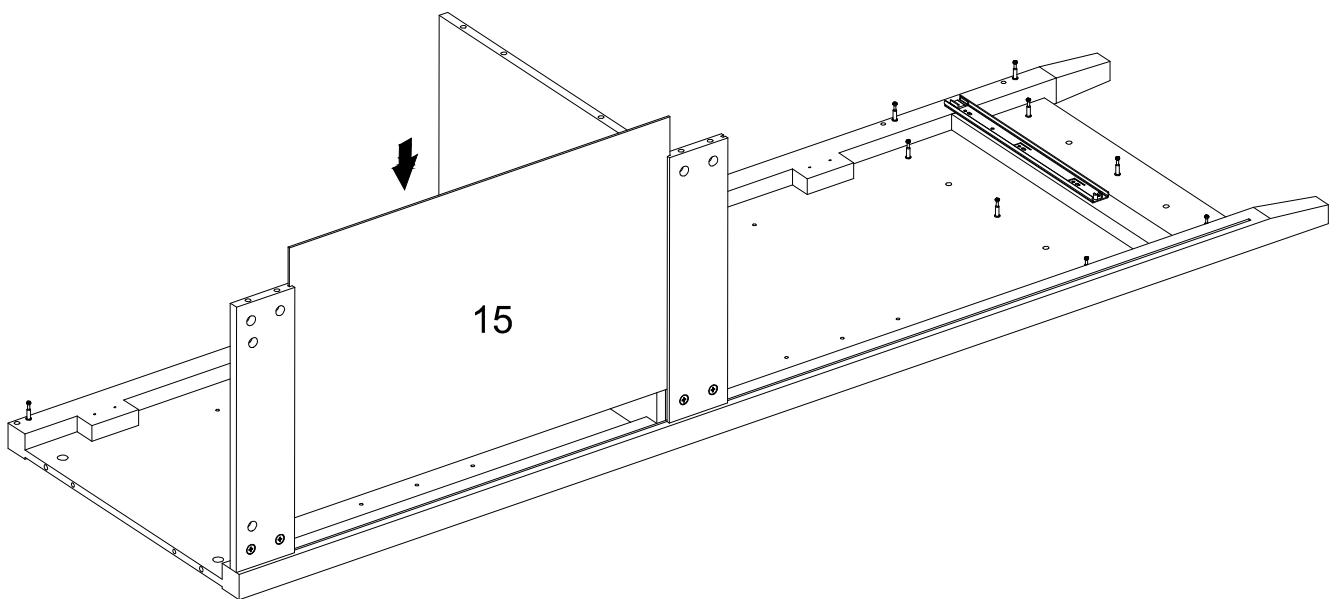
Step 3: Attach the Right Middle Back Support Bar (13), Right Middle Shelf Panel (14) and Right Upper Back Support Bar (32) to the Right Panel (2).

Ⓑ  6pcs

Ⓒ  2pcs

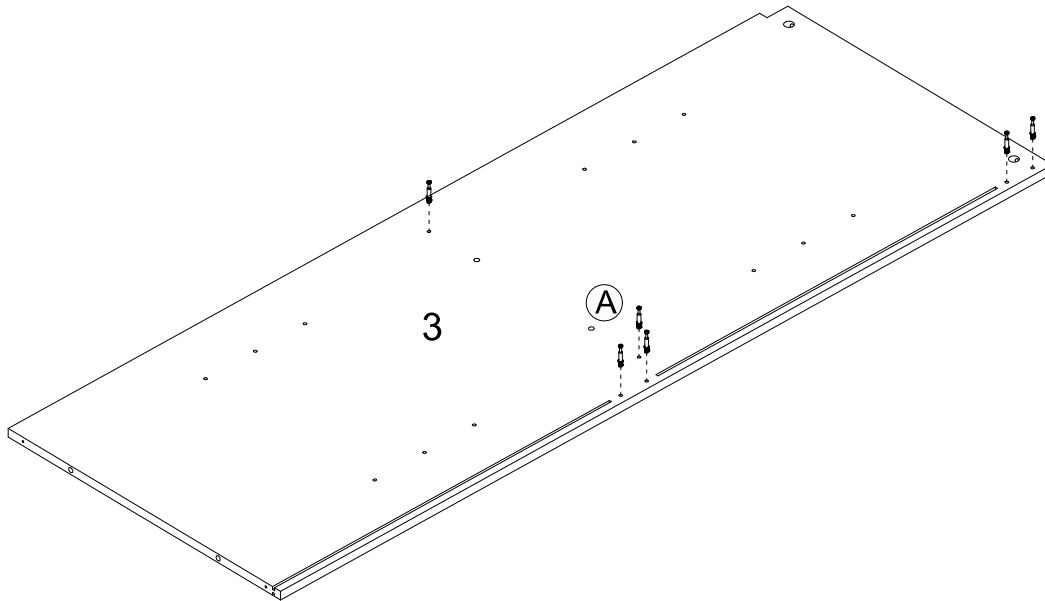


Step 4: Attach Right Back Panel (15) to the Frame.



Step 5: Attach the Cam Bolt to the Middle Panel (3).

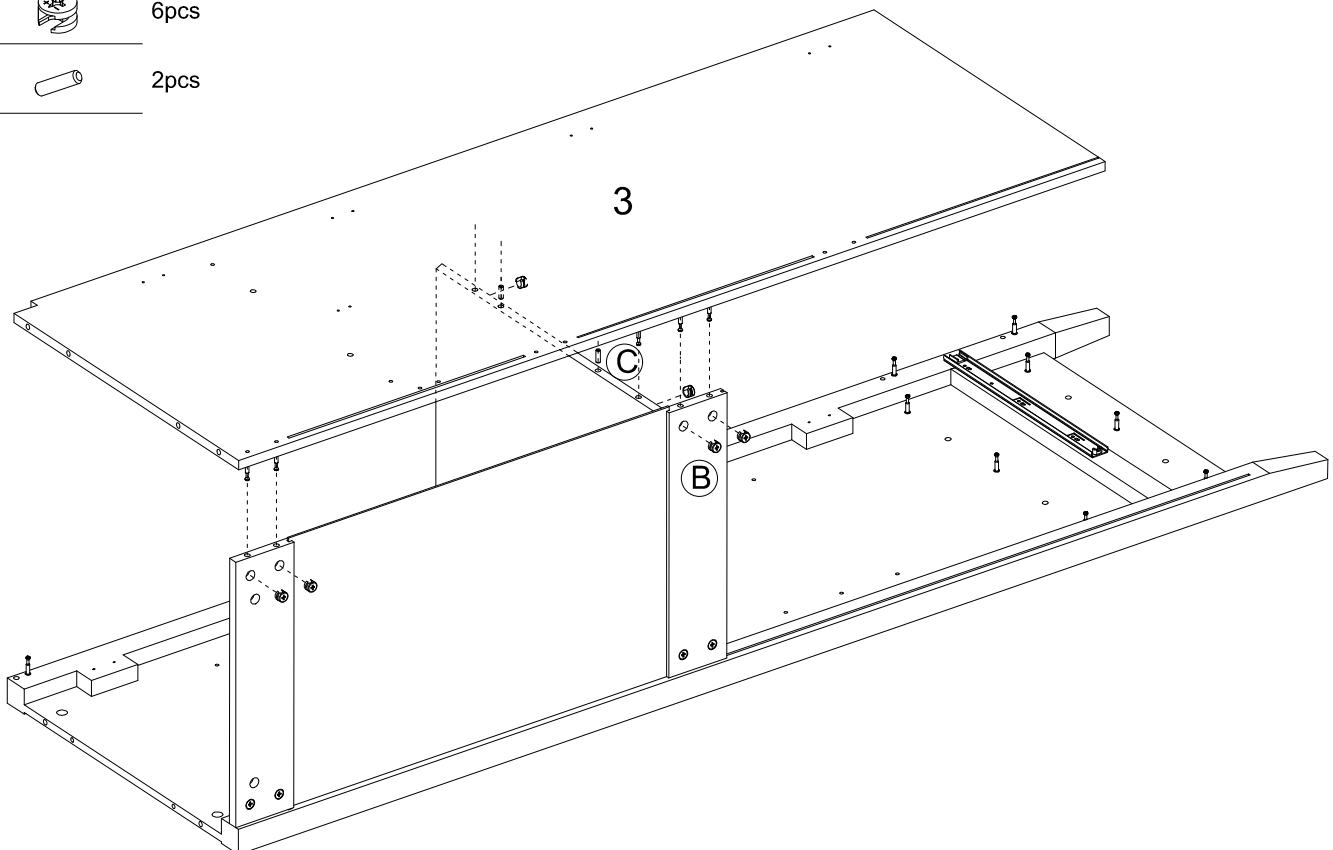
(A)  6pcs



Step 6: Attach Middle Panel (3) to the Frame.

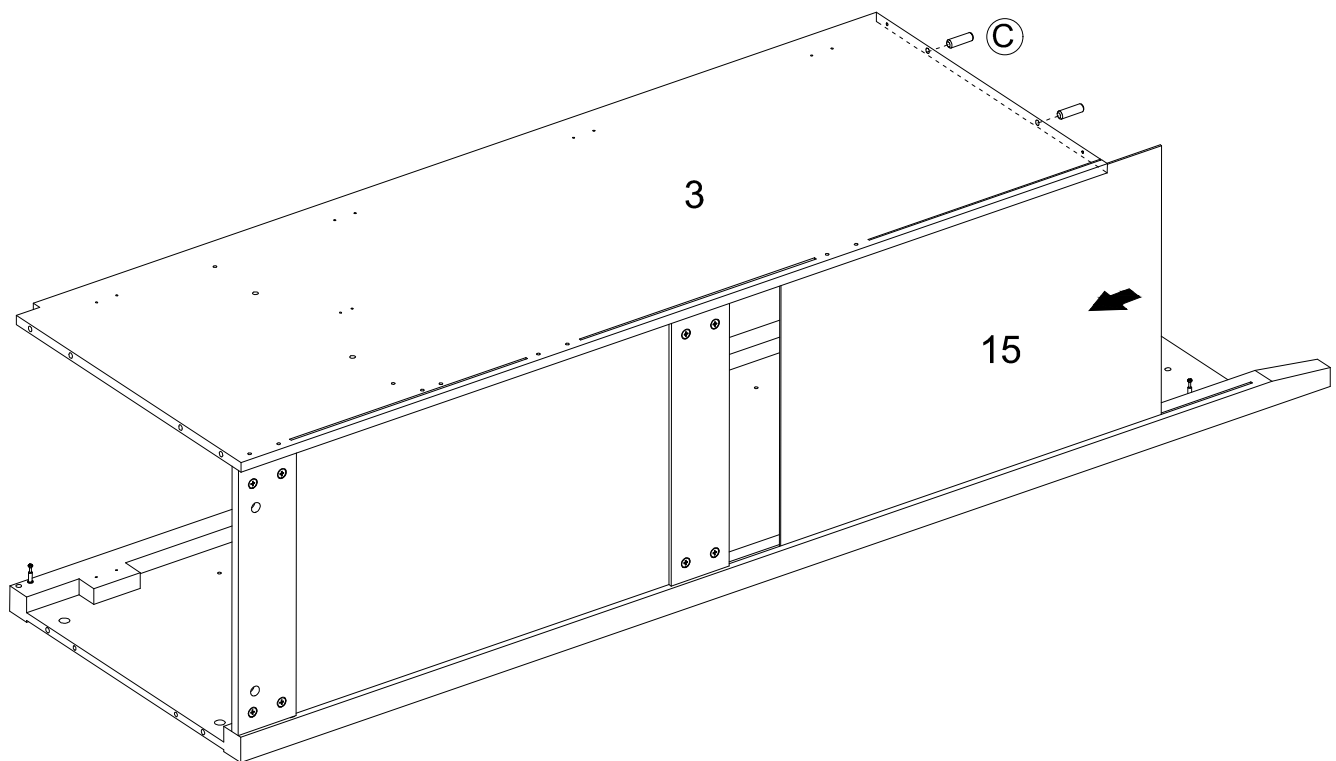
(B)  6pcs

(C)  2pcs



Step 7: Attach Right Back Panel (15) to the Frame.

Ⓒ  2pcs

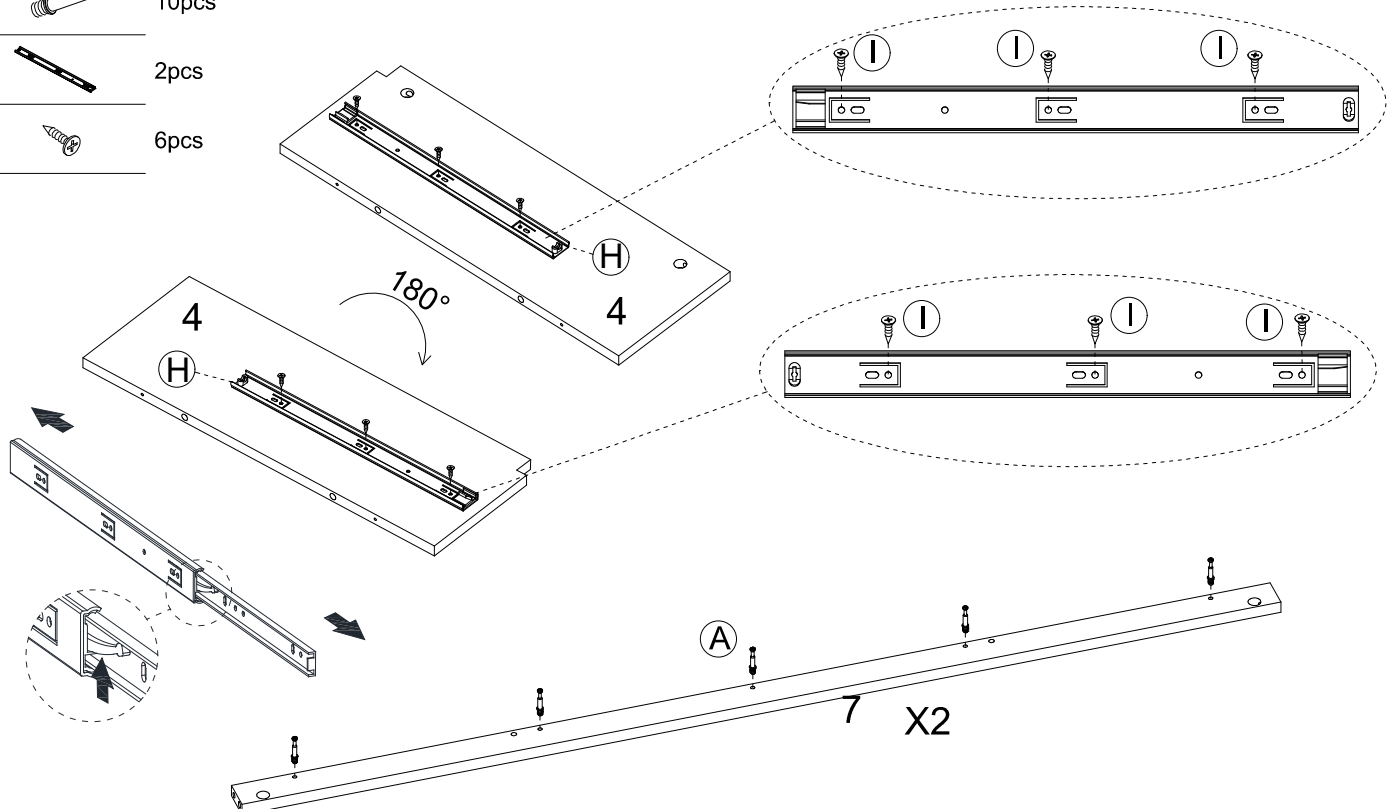


Step 8: Attach the Slide Rail to Bottom Middle Panel (4) two sides. Attach the Cam Bolt to the Lower Front Support Bar (7).

Ⓐ  10pcs

Ⓗ  2pcs

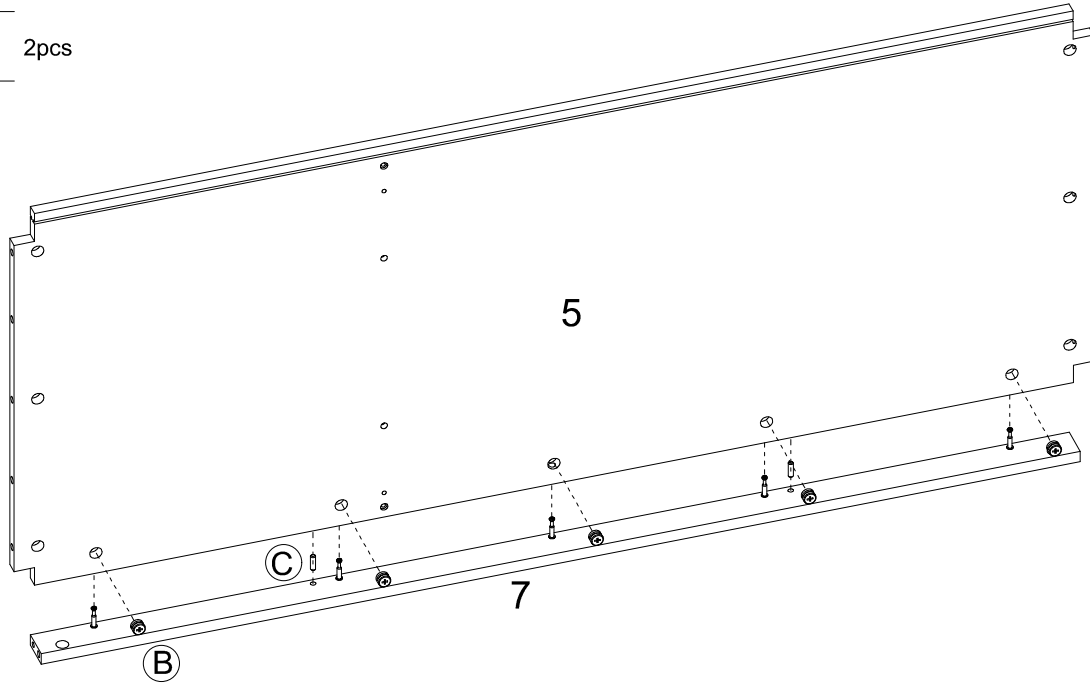
Ⓘ  6pcs



Step 9: Attach the Bottom Shelf Panel (5) to the Lower Front Support Bar (7).

(B)  5pcs

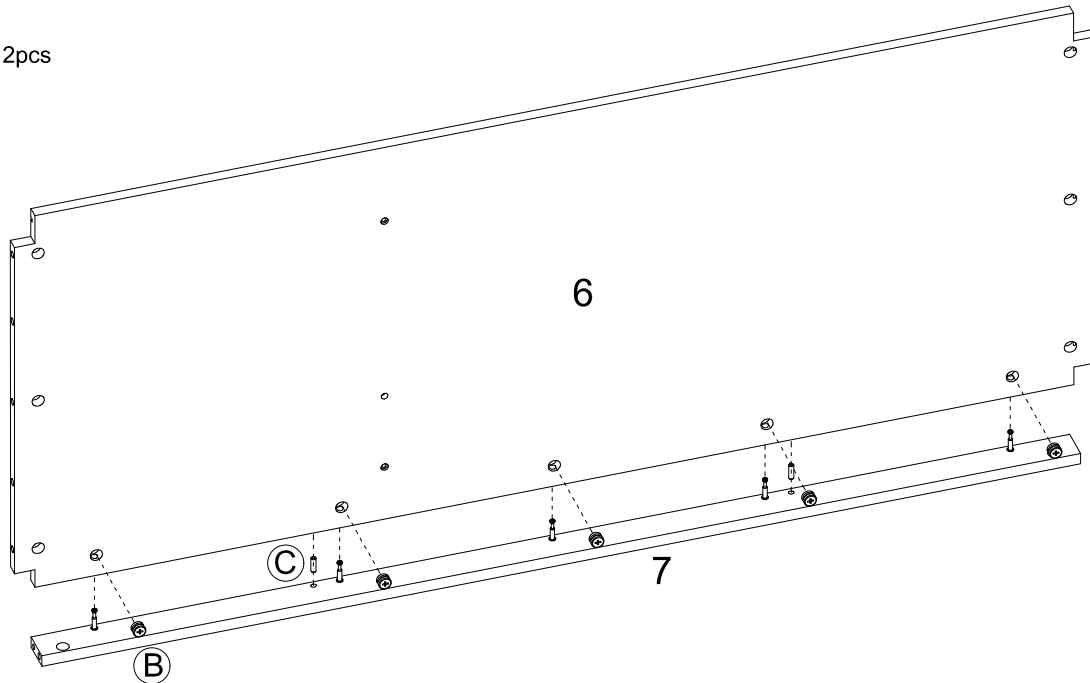
(C)  2pcs



Step 10: Attach the Bottom Panel (6) to the Lower Front Support Bar (7).

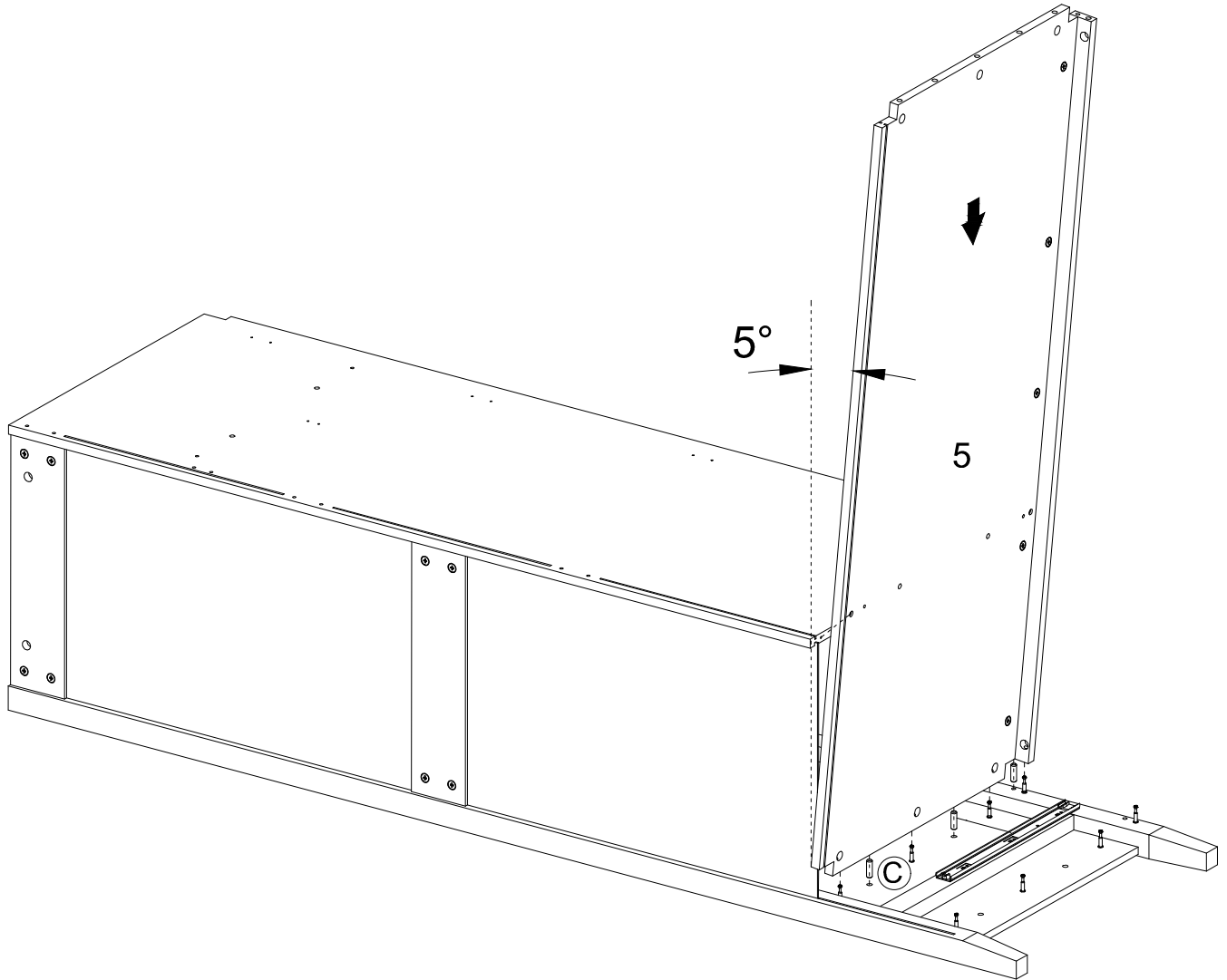
(B)  5pcs

(C)  2pcs



Step 11: Attach the Bottom Shelf Panel (5) to the Frame.

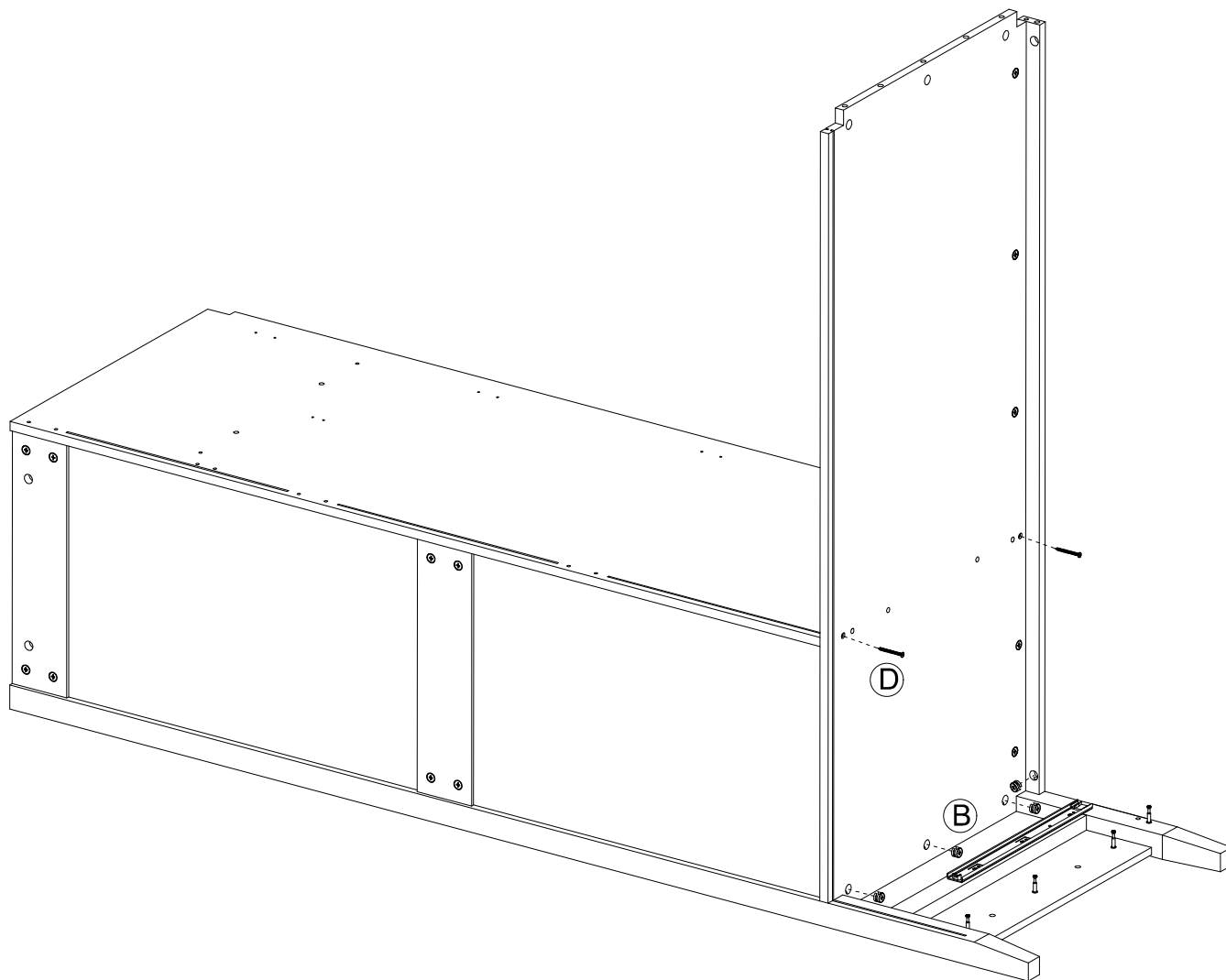
Ⓒ  3pcs



Step 12: Fasten the Bottom Shelf Panel using screw (D) and cam lock (B).

(B)  4pcs

(D)  2pcs

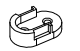


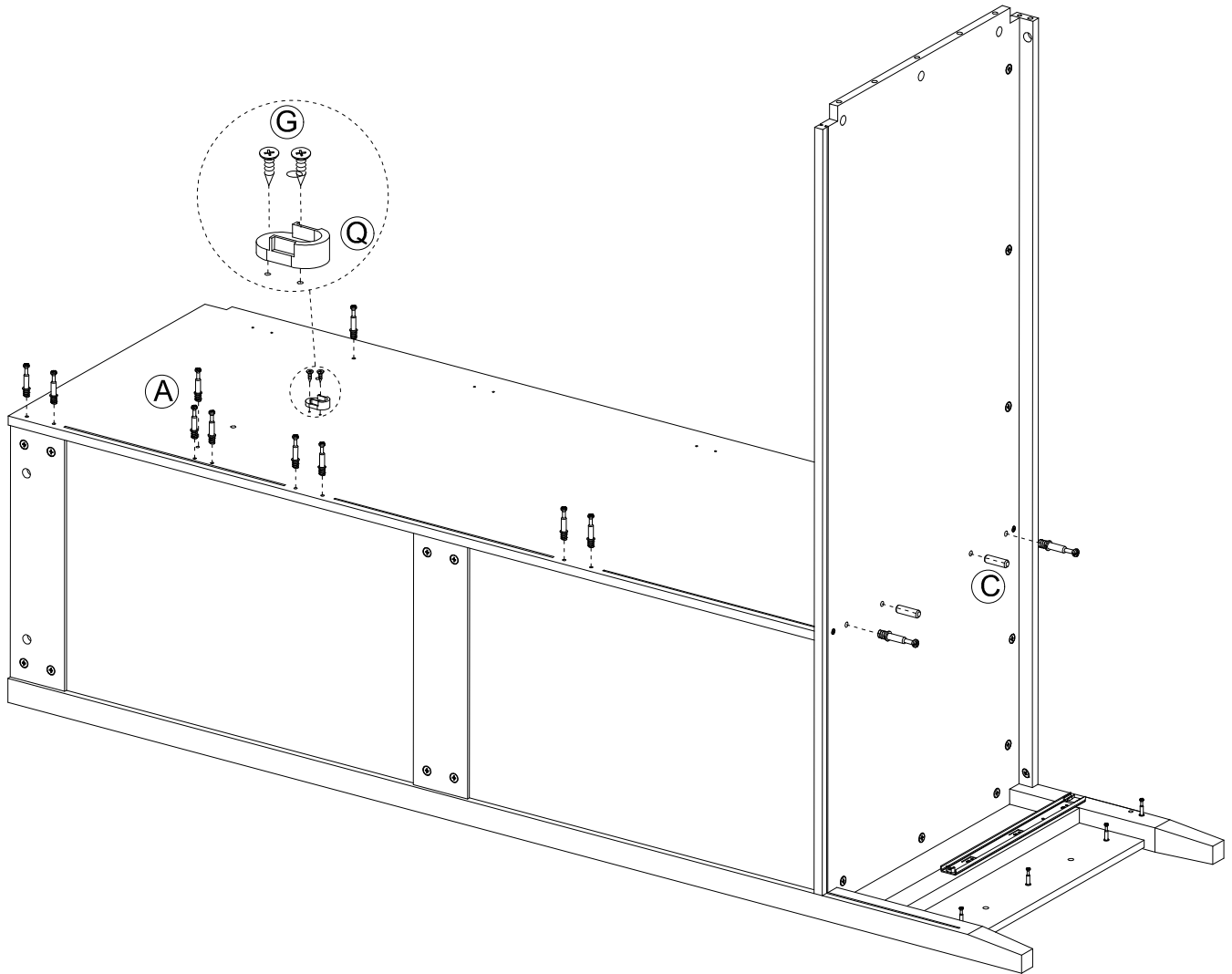
Step 13: Attach the fittings and Tube Bracket (Q) to the Frame.

A  12pcs

C  2pcs

G  2pcs

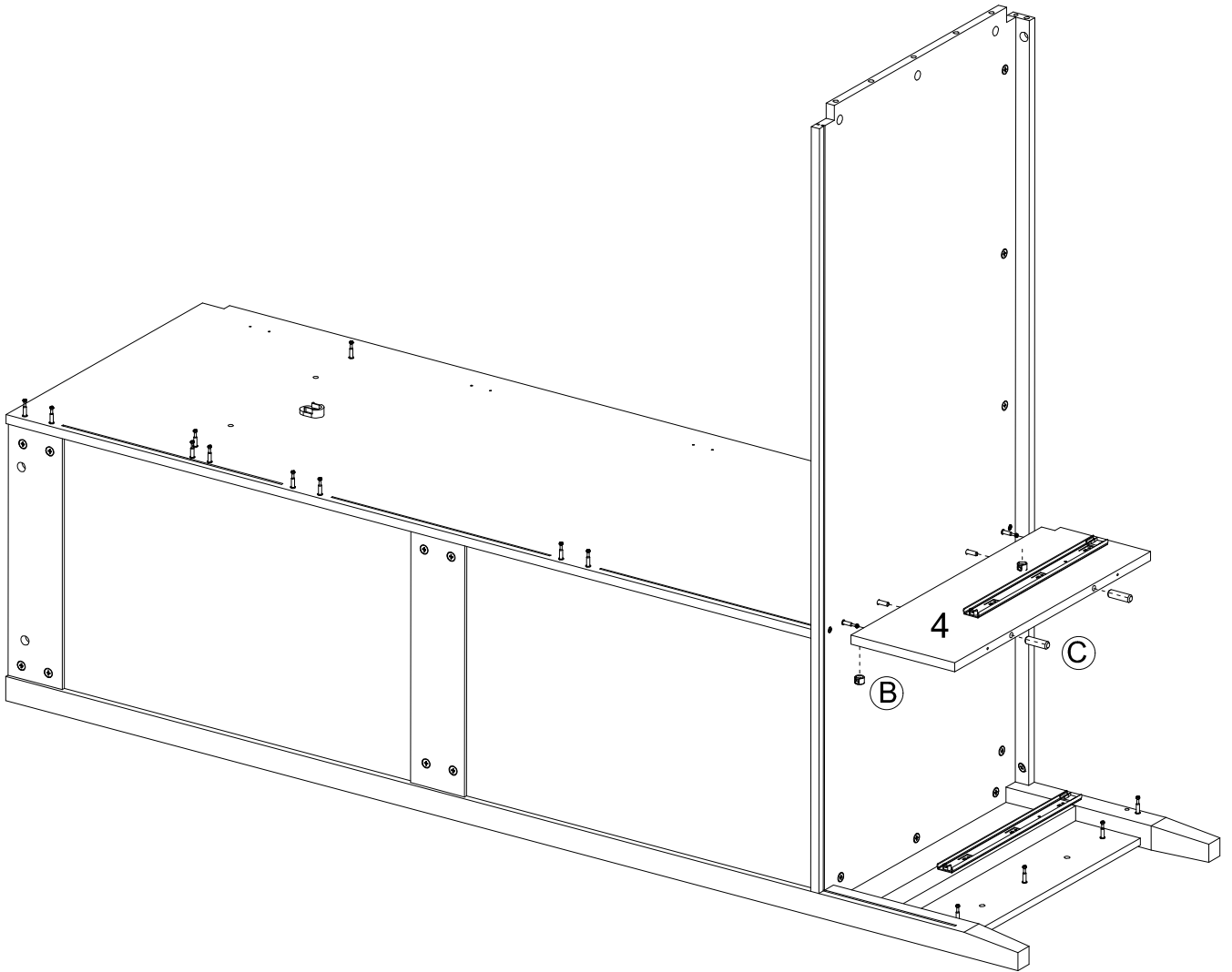
Q  1pc



Step 14: Attach the Bottom Middle Panel (4) to the Frame.

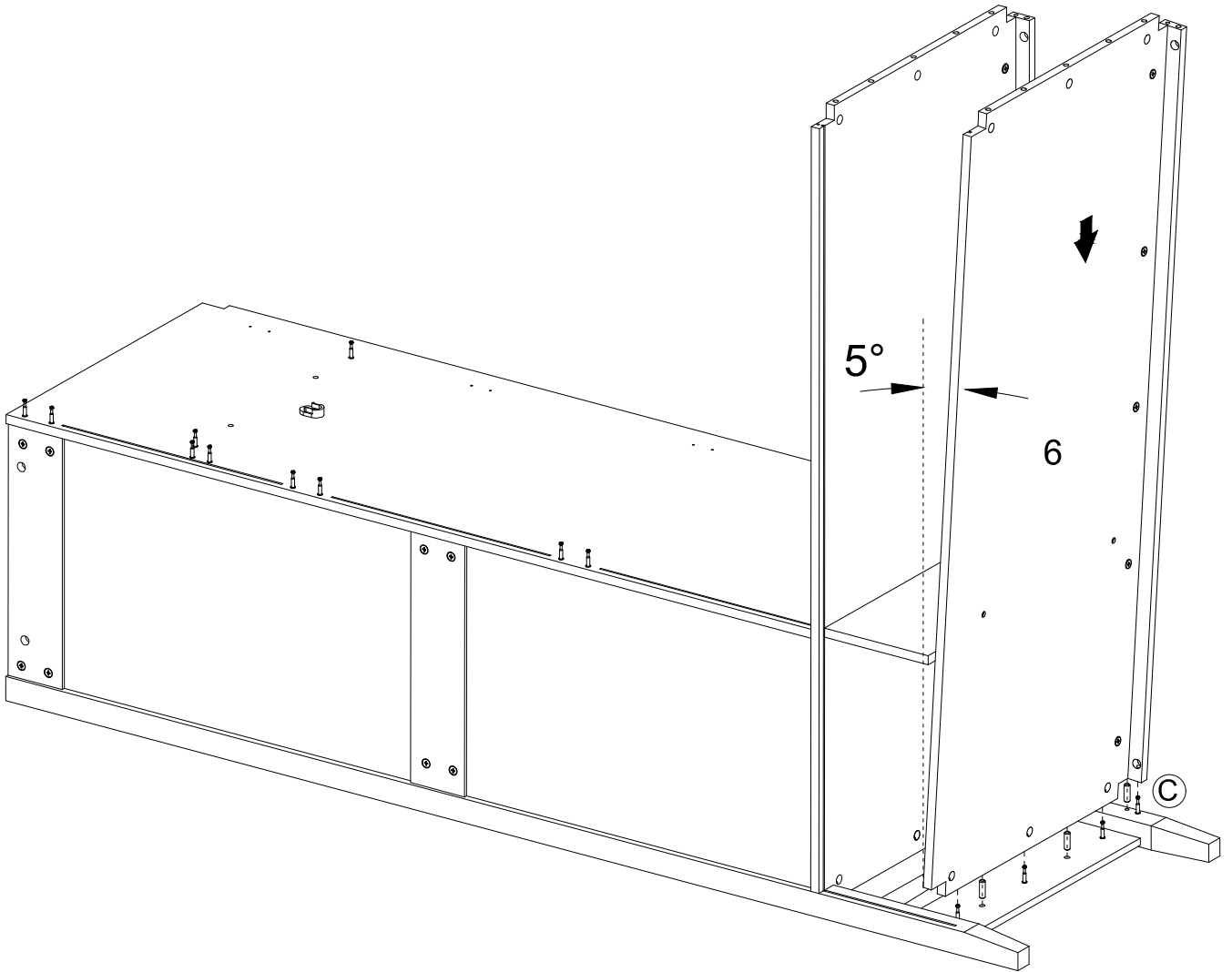
Ⓑ  2pcs

Ⓒ  2pcs



Step 15: Attach the Bottom Panel (6) to the Frame.

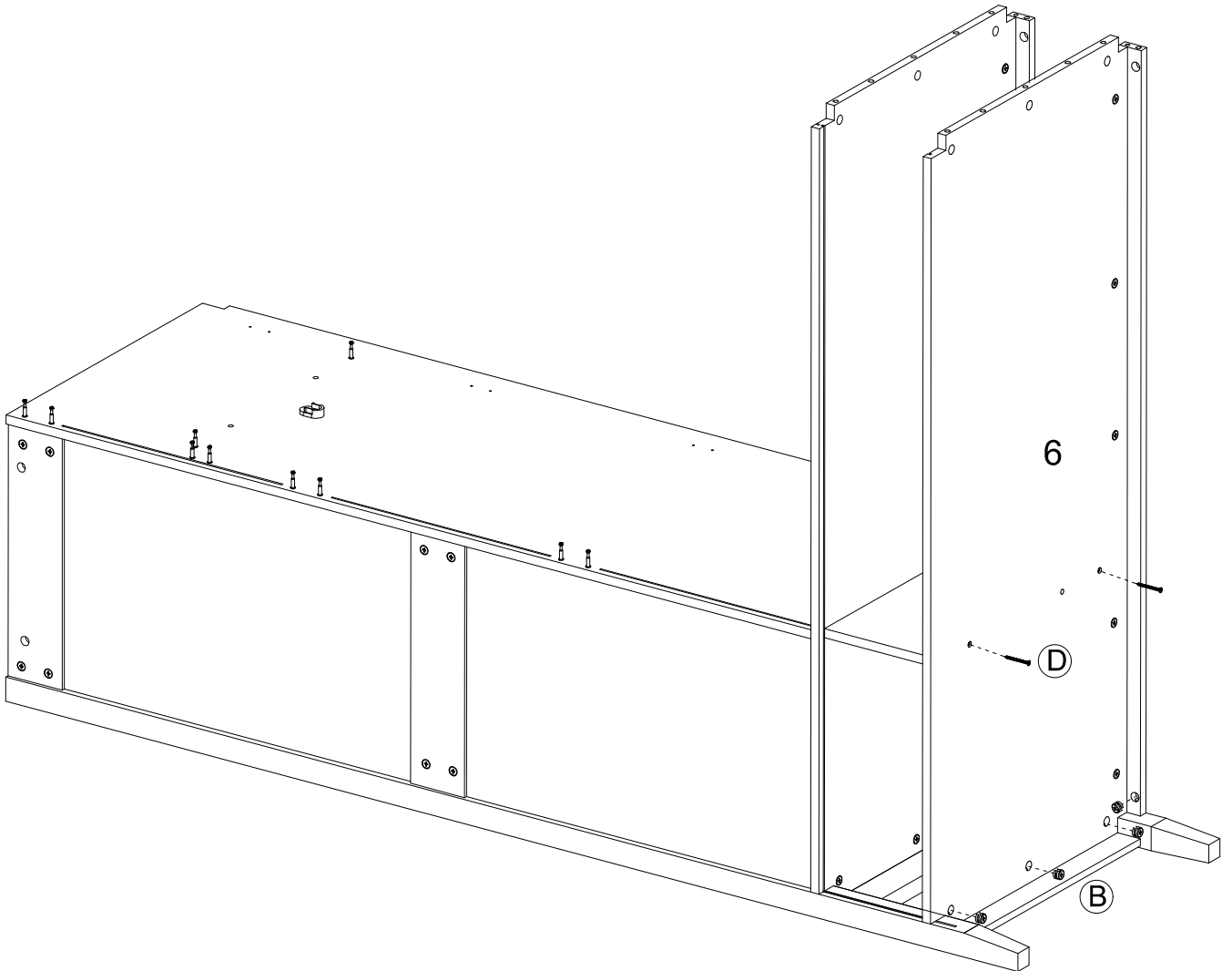
©  3pcs






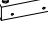
Step 16: Fasten the Bottom Panel (6) using screw (D) and cam lock (B).

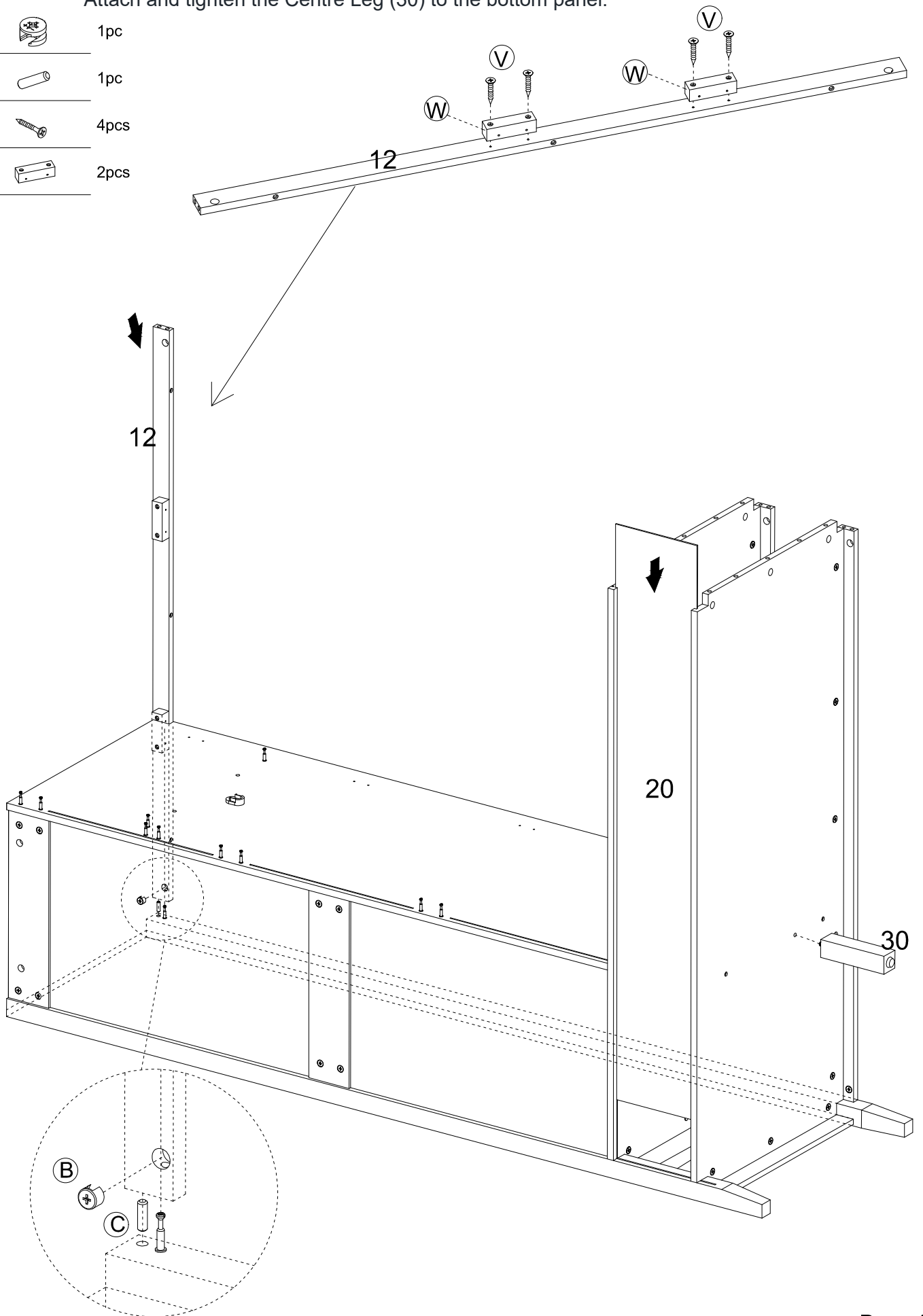
(B)  4pcs

(D)  2pcs



Step 17: Attach the wooden block to Upper Front Support Bar (12). Attach parts (12, 20) to the Frame. Attach and tighten the Centre Leg (30) to the bottom panel.

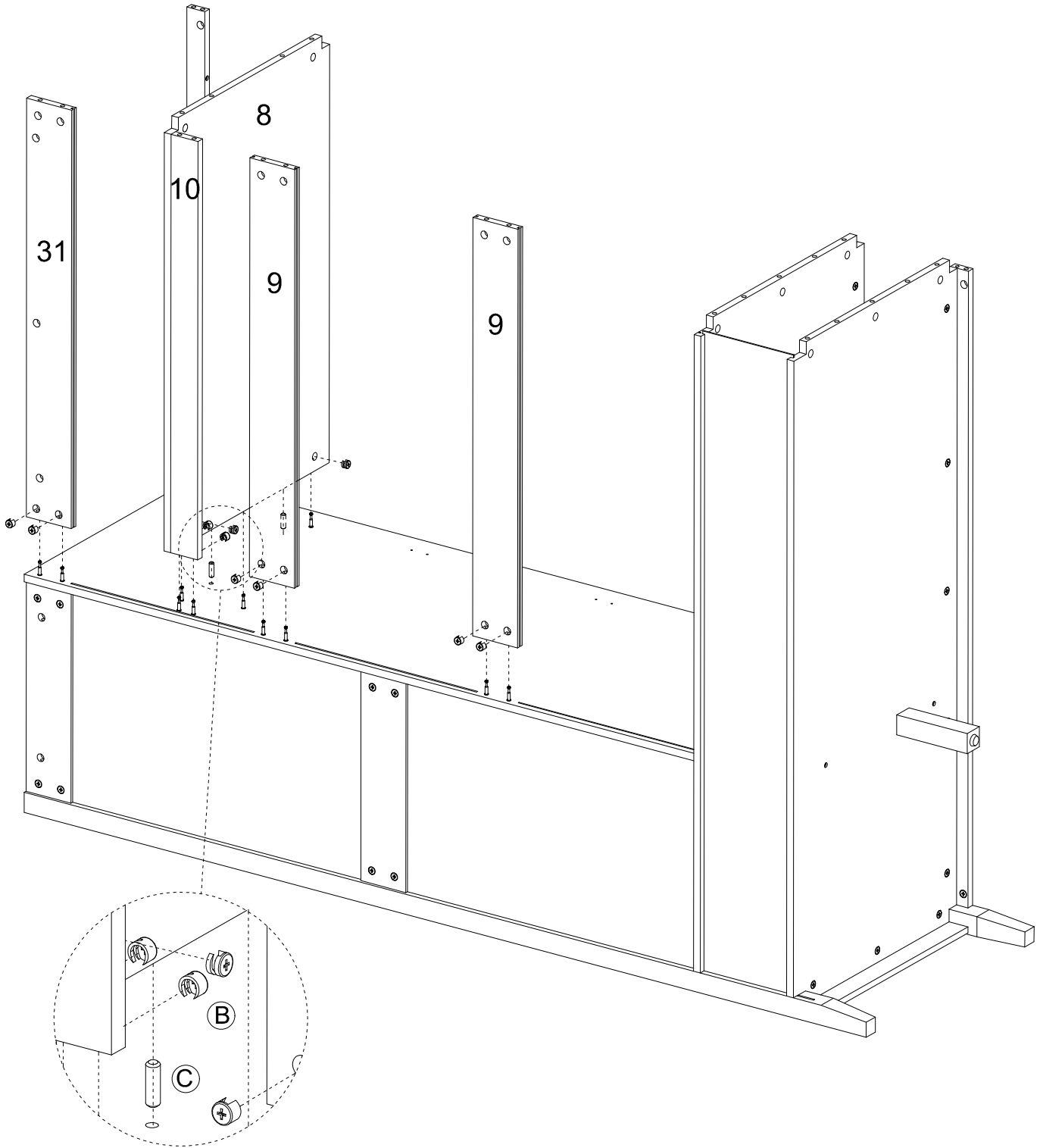
- (B)**  1pc
- (C)**  1pc
- (V)**  4pcs
- (W)**  2pcs



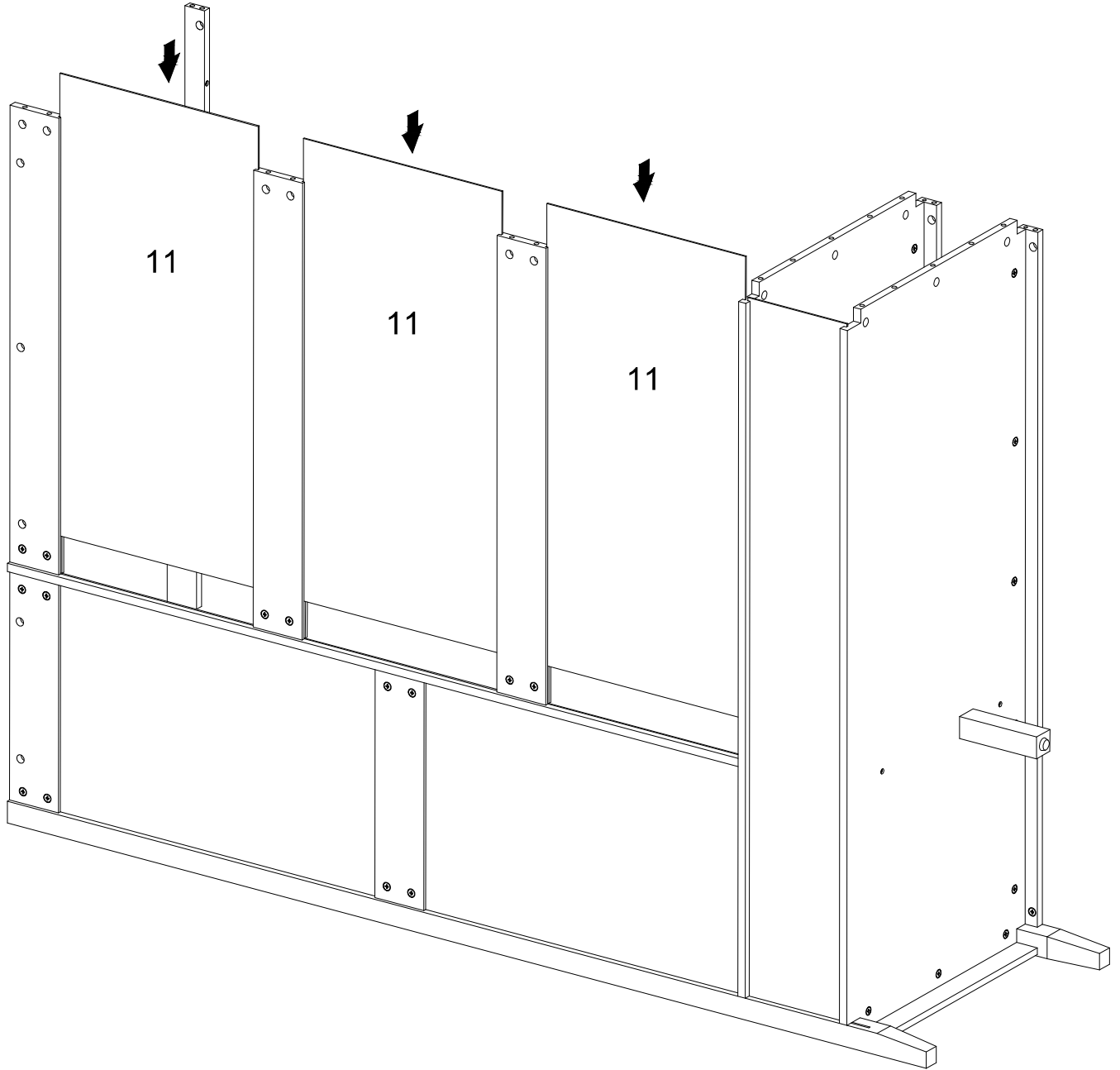
Step 18: Attach parts (8, 9, 10, 31) to the Frame.

(B)  10pcs

(C)  2pcs



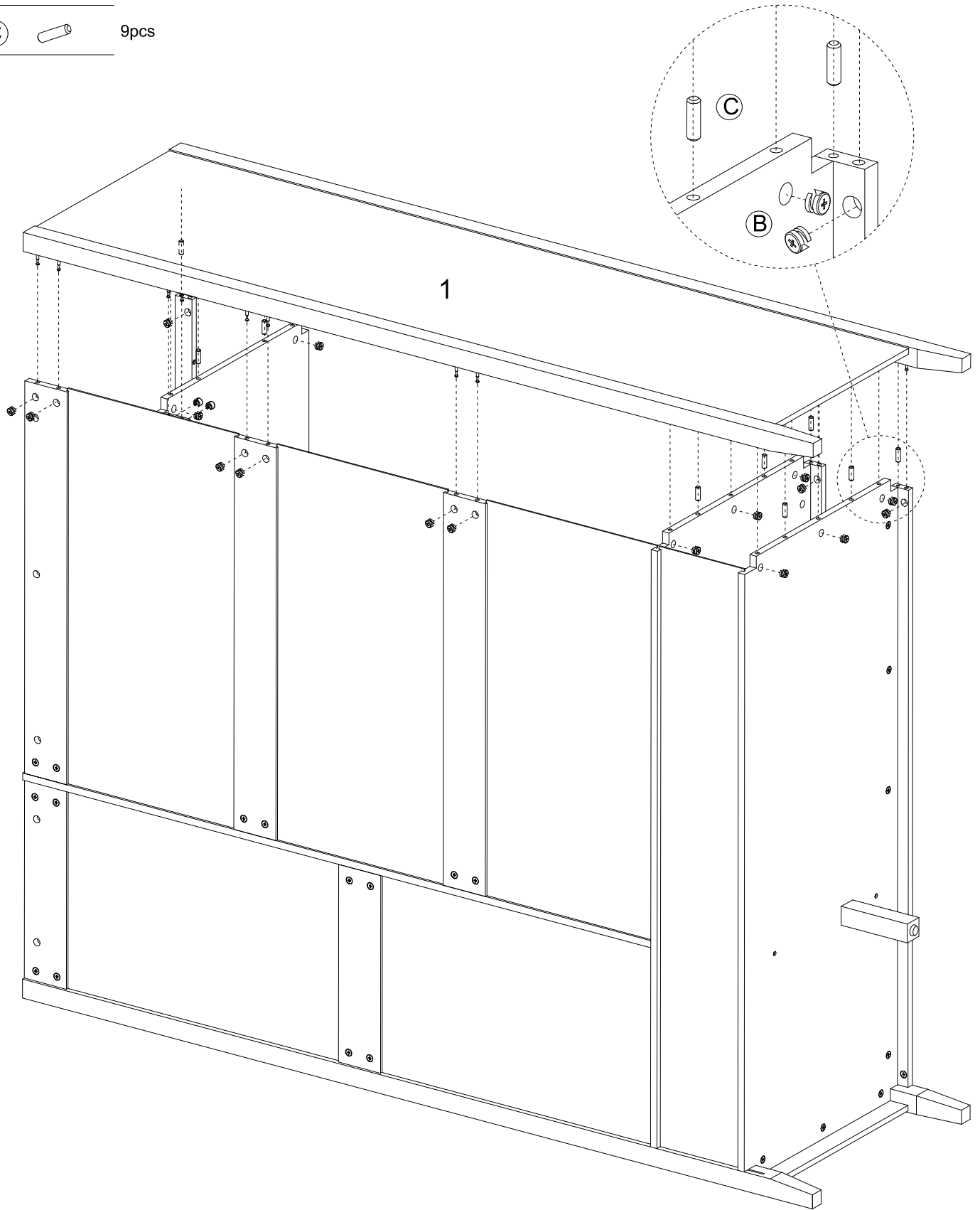
Step 19: Attach Left Back Panel (11) to the Frame.



Step 20: Attach the Left Panel (1) to the Frame.

(B)  19pcs

(C)  9pcs

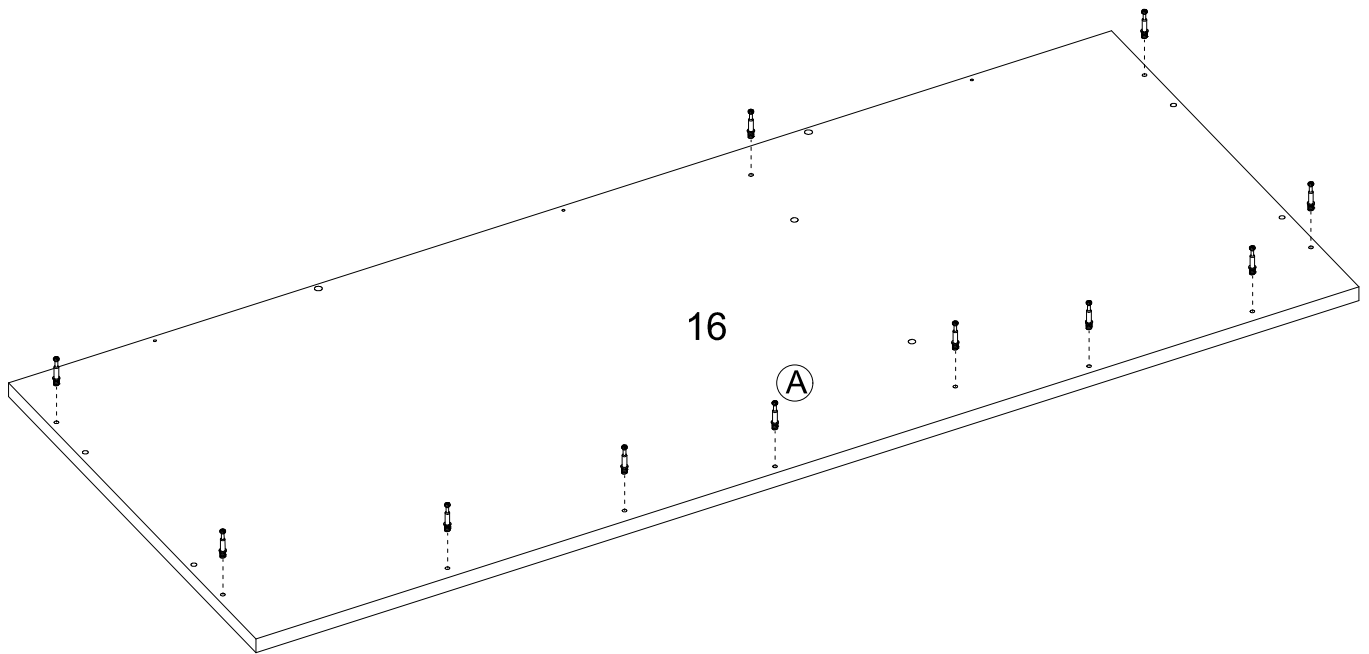


Step 21: Attach the Cam Bolts to Top Panel (16).

(A)



11pcs



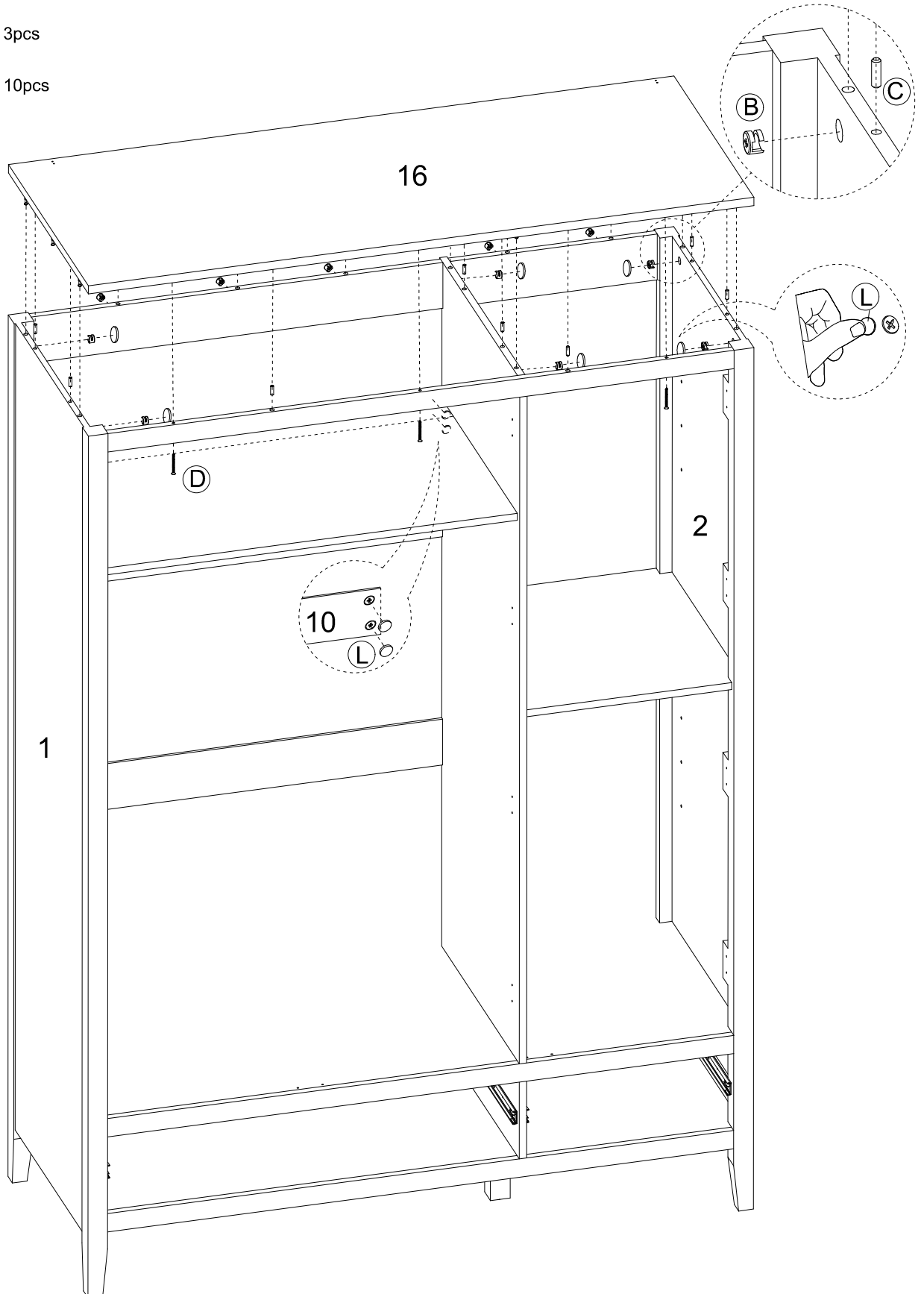
Step 22: Attach the Top Panel (16) to the Frame.

Ⓑ  11pcs

Ⓒ  8pcs

Ⓓ  3pcs

Ⓕ  10pcs



Step 23: Attach Hanging Bar (18), Right Shelf Panel (17), Door Catch (N) to the Frame.

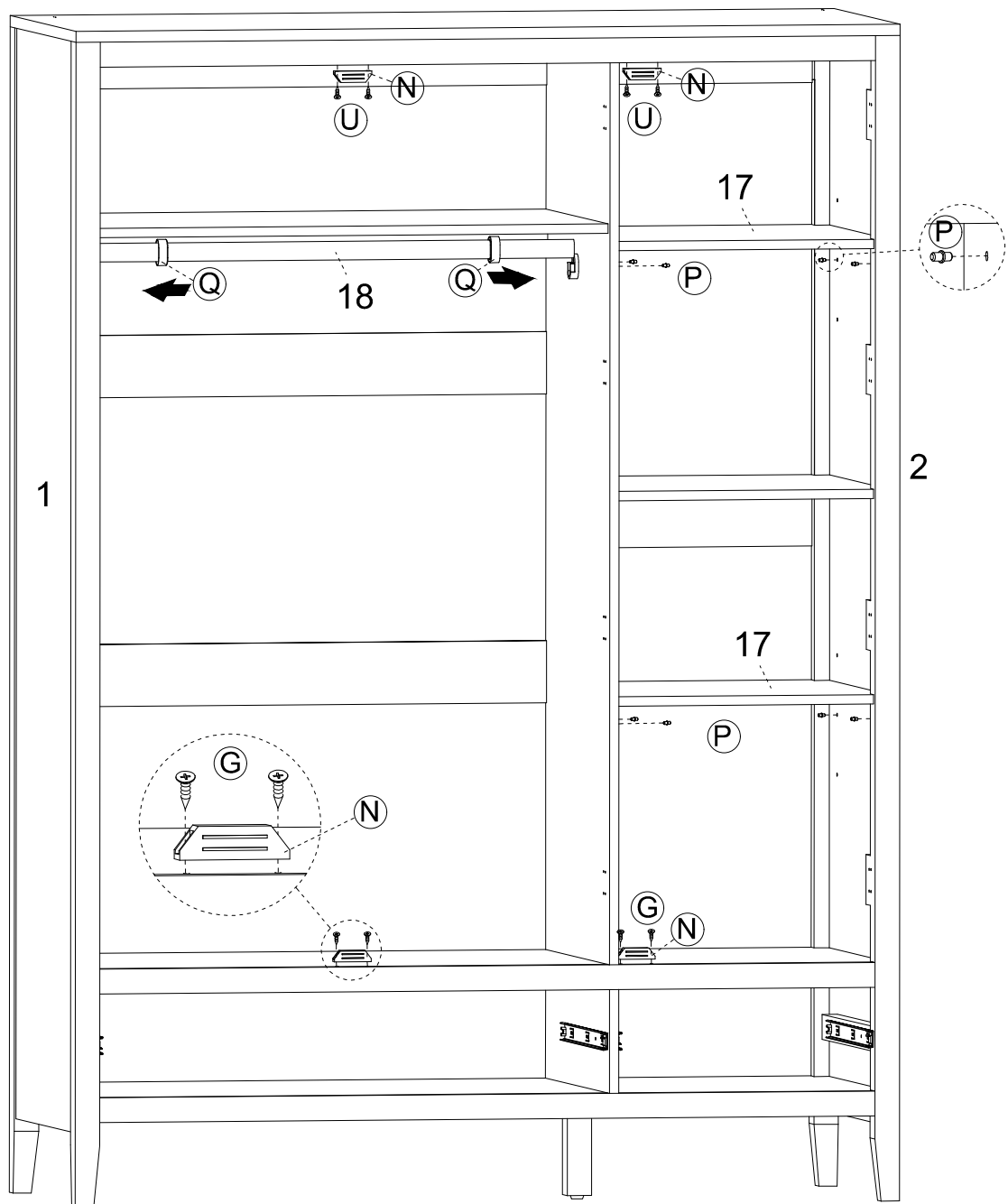
Ⓒ 4pcs

Ⓓ 4pcs

Ⓔ 8pcs

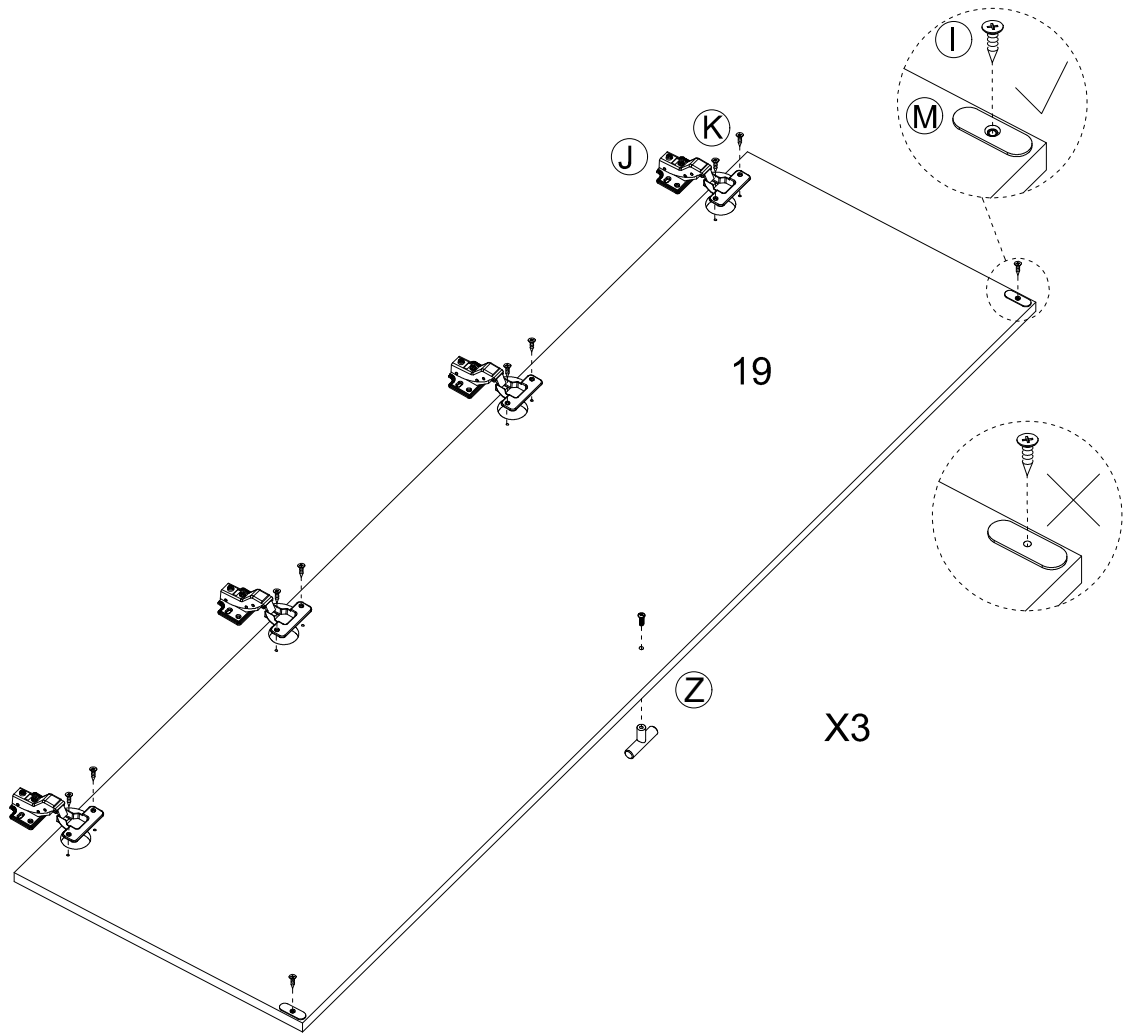
Ⓕ 2pcs

Ⓖ 4pcs



Step 24: Attach the Hinges, Handle and Door Strike Plate to Door (19)

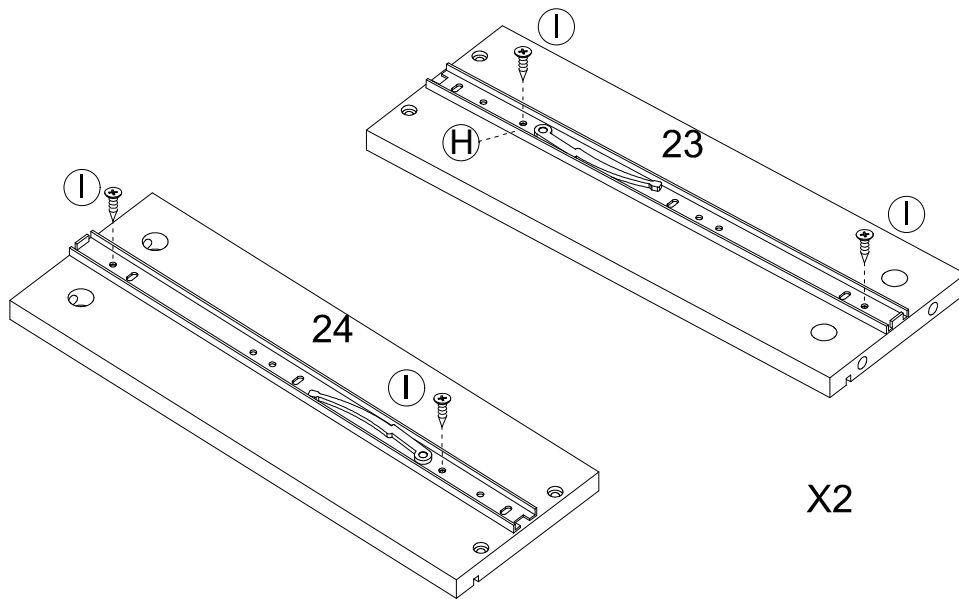
- Ⓢ 6pcs
- Ⓝ 12pcs
- Ⓚ 24pcs
- Ⓜ 6pcs
- Ⓩ 3pcs



Step 25: Attach the Slide Rail to the Drawer Left Side (23) and Drawer Right Side (24).

(H)  4pcs

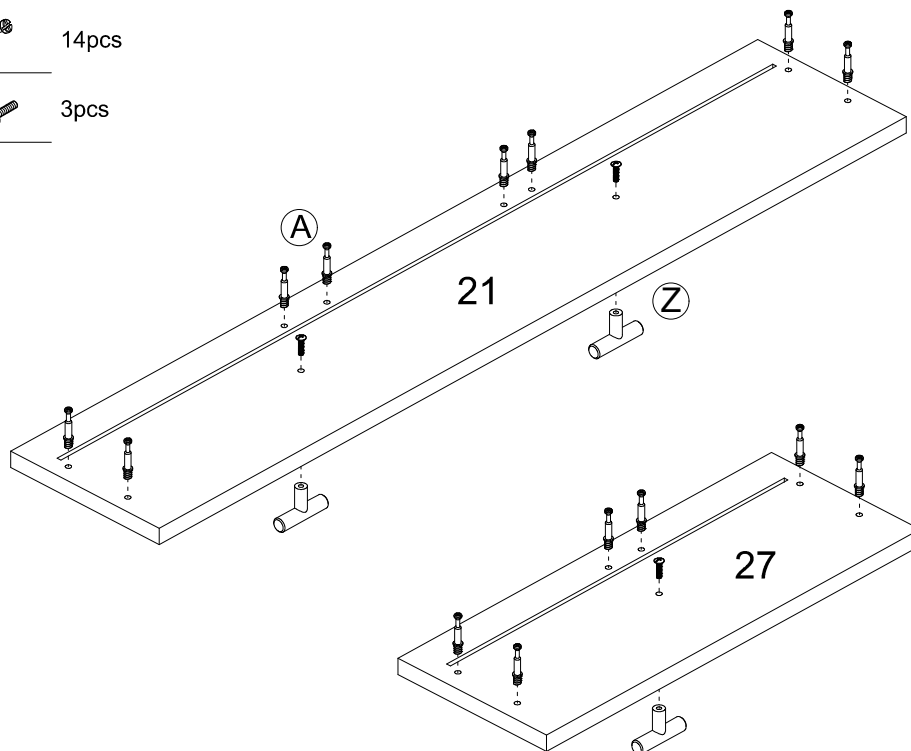
(I)  8pcs



Step 26: Attach the Fittings and Handles to the Left Drawer Front (21) and Right Drawer Front (27).

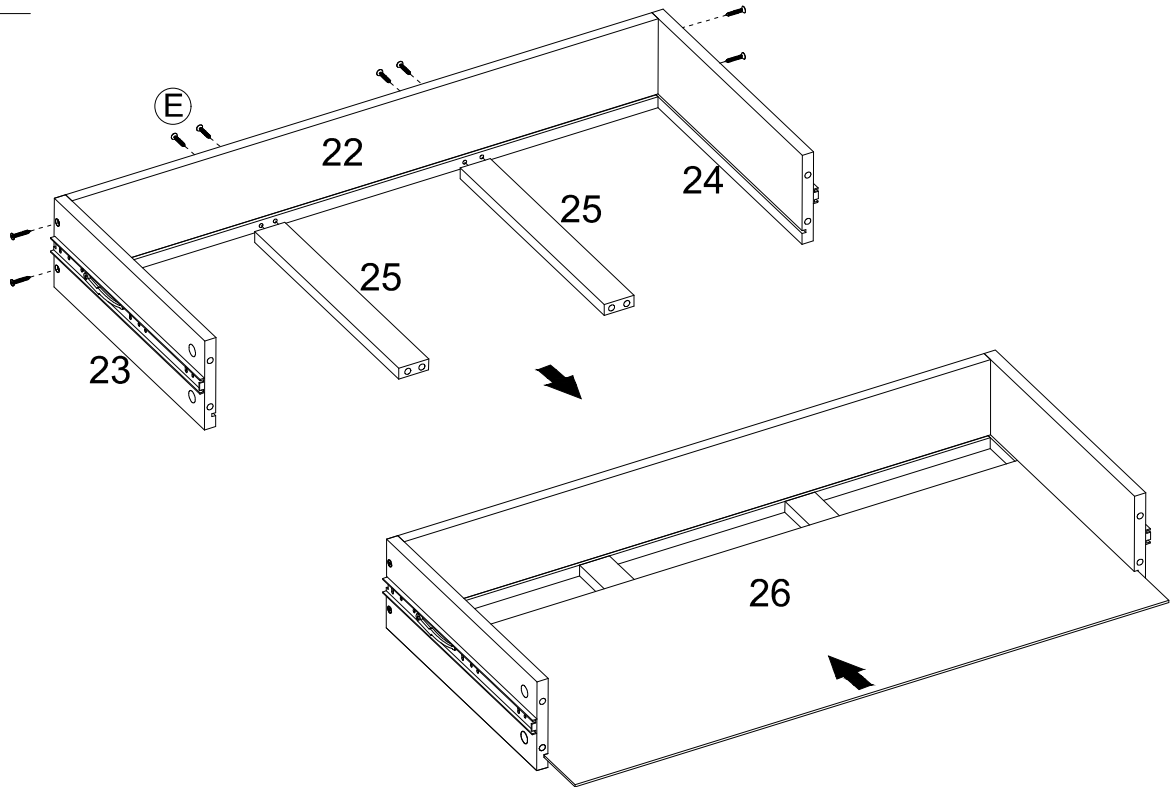
(A)  14pcs

(Z)  3pcs



Step 27: Attach the Left Drawer.

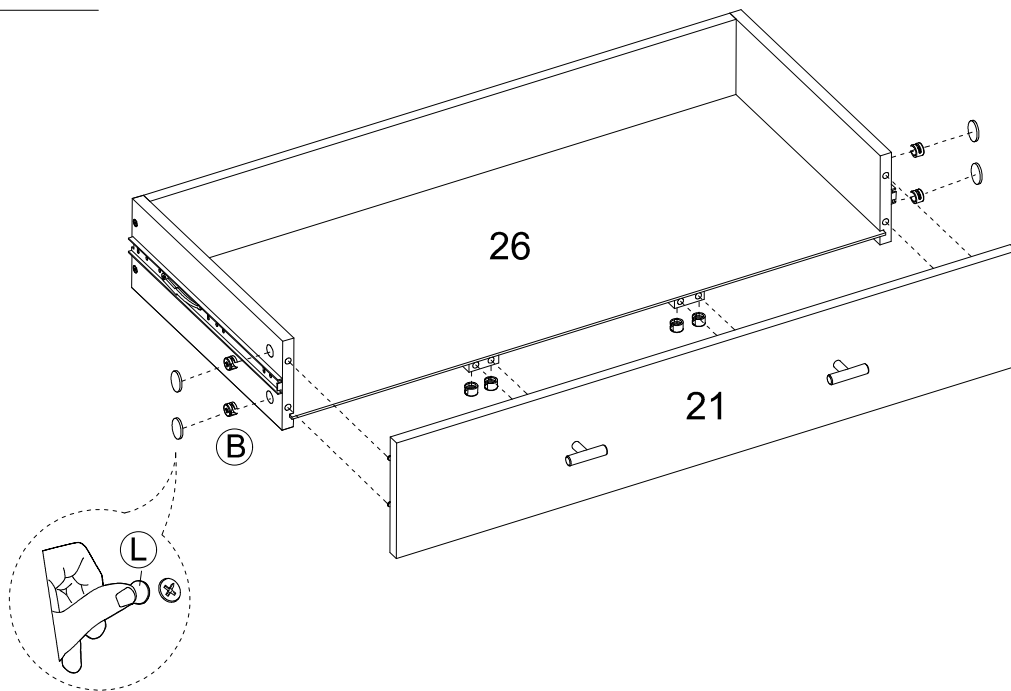
Ⓔ 8pcs



Step 28: Attach the Left Drawer Front (21) to the Frame.

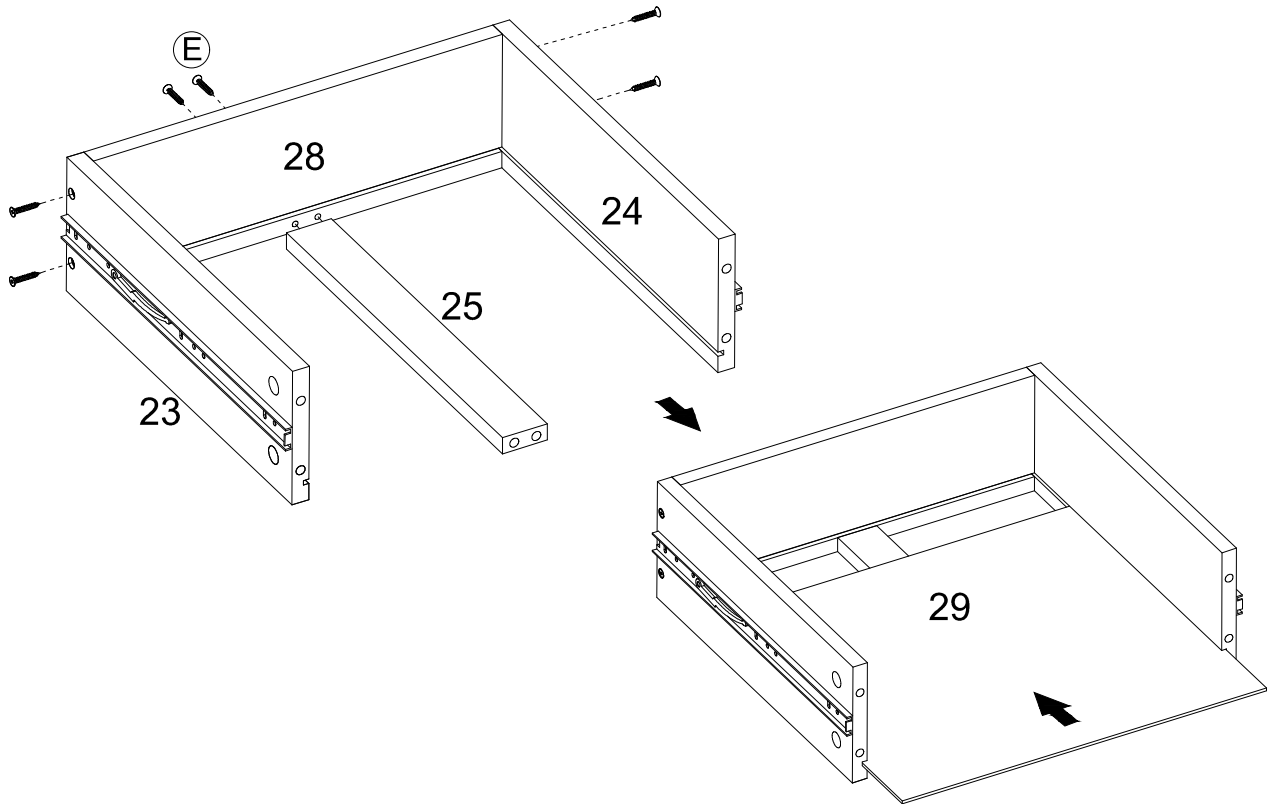
Ⓑ 8pcs

Ⓕ 4pcs



Step 29: Attach the Right Drawer.

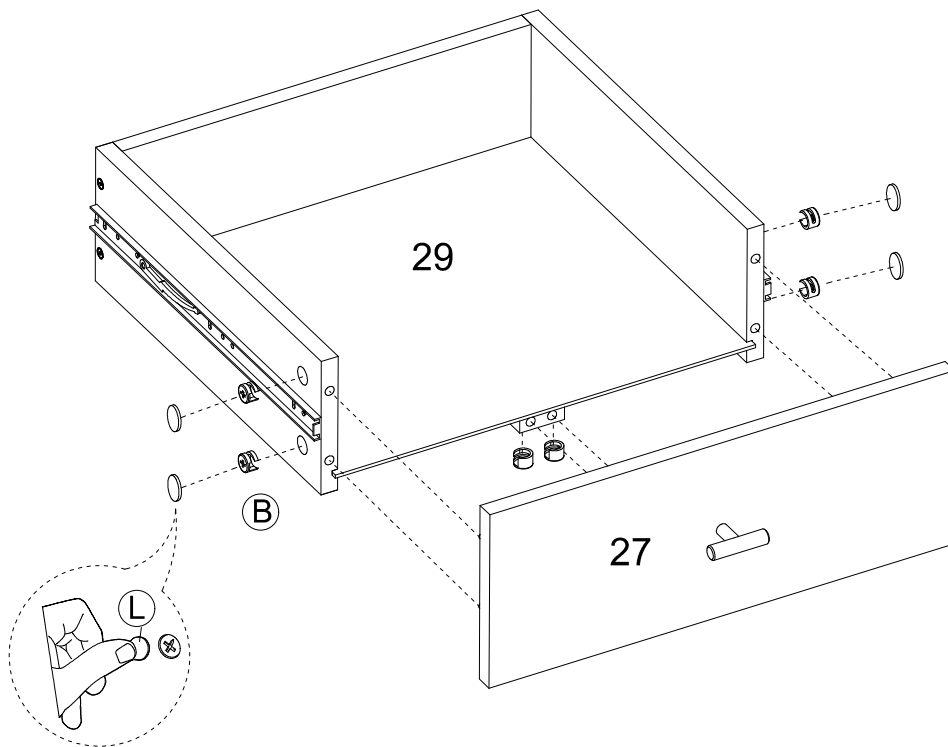
Ⓔ 6pcs



Step 30: Attach the Right Drawer Front (27) to the Frame.

Ⓑ 6pcs

Ⓕ 4pcs

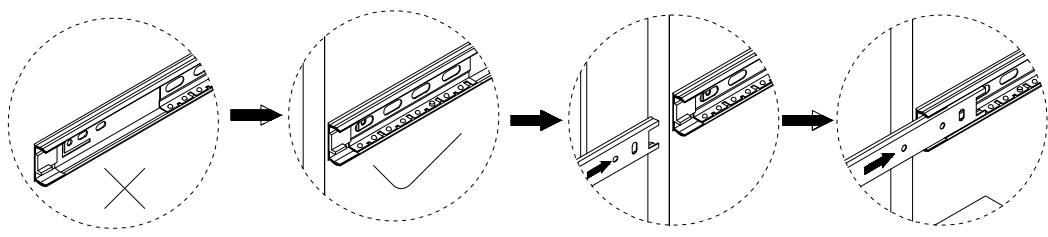
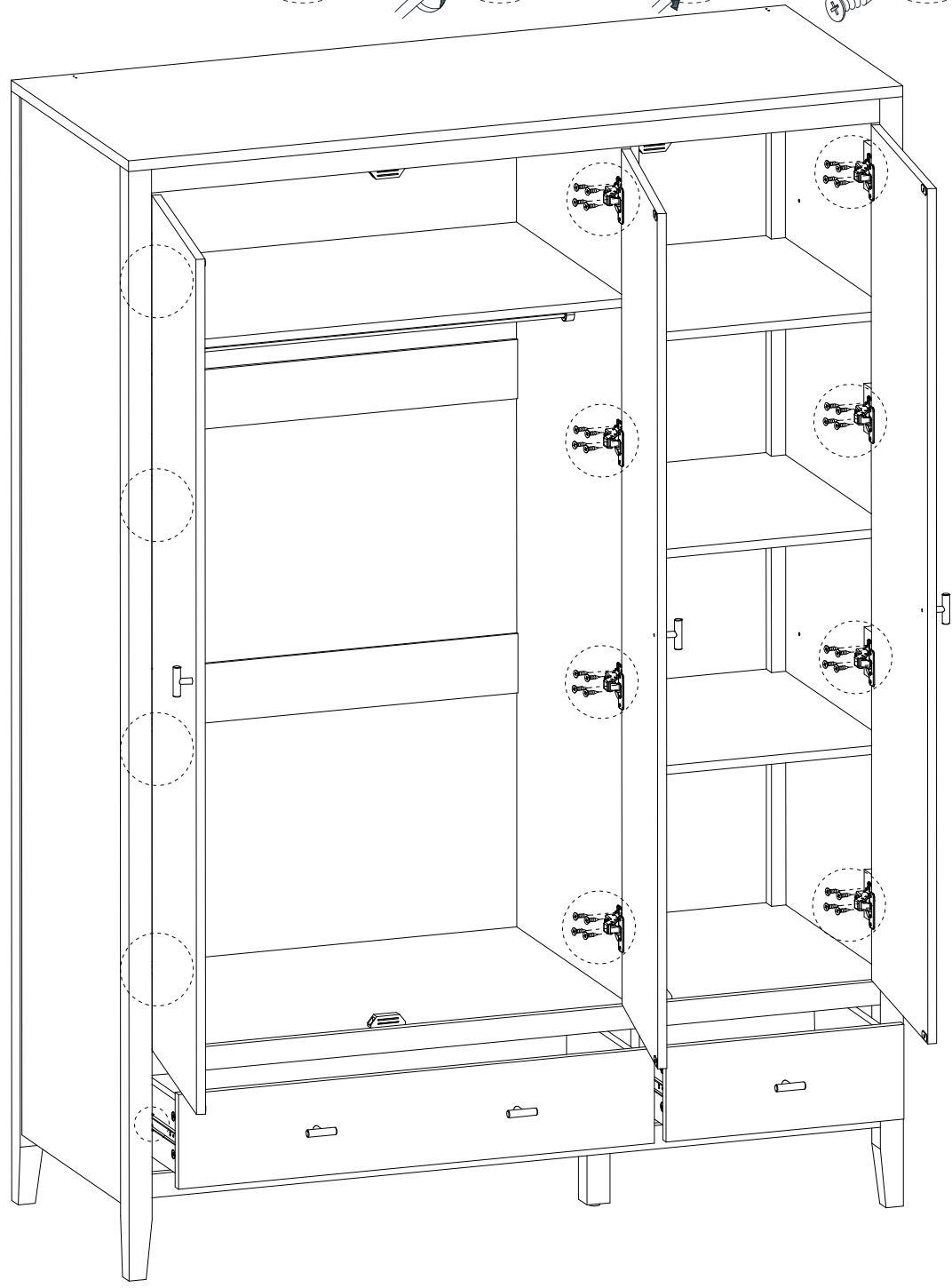
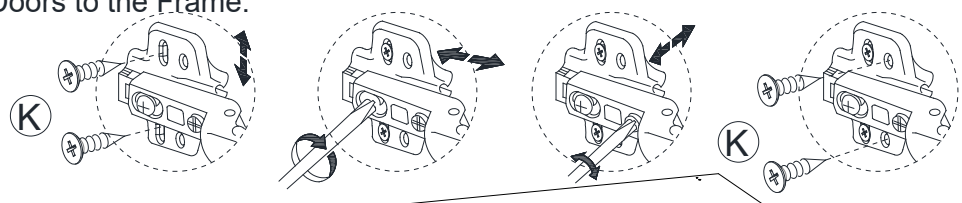


Step 31: Attach the Doors to the Frame.

(K)



48pcs



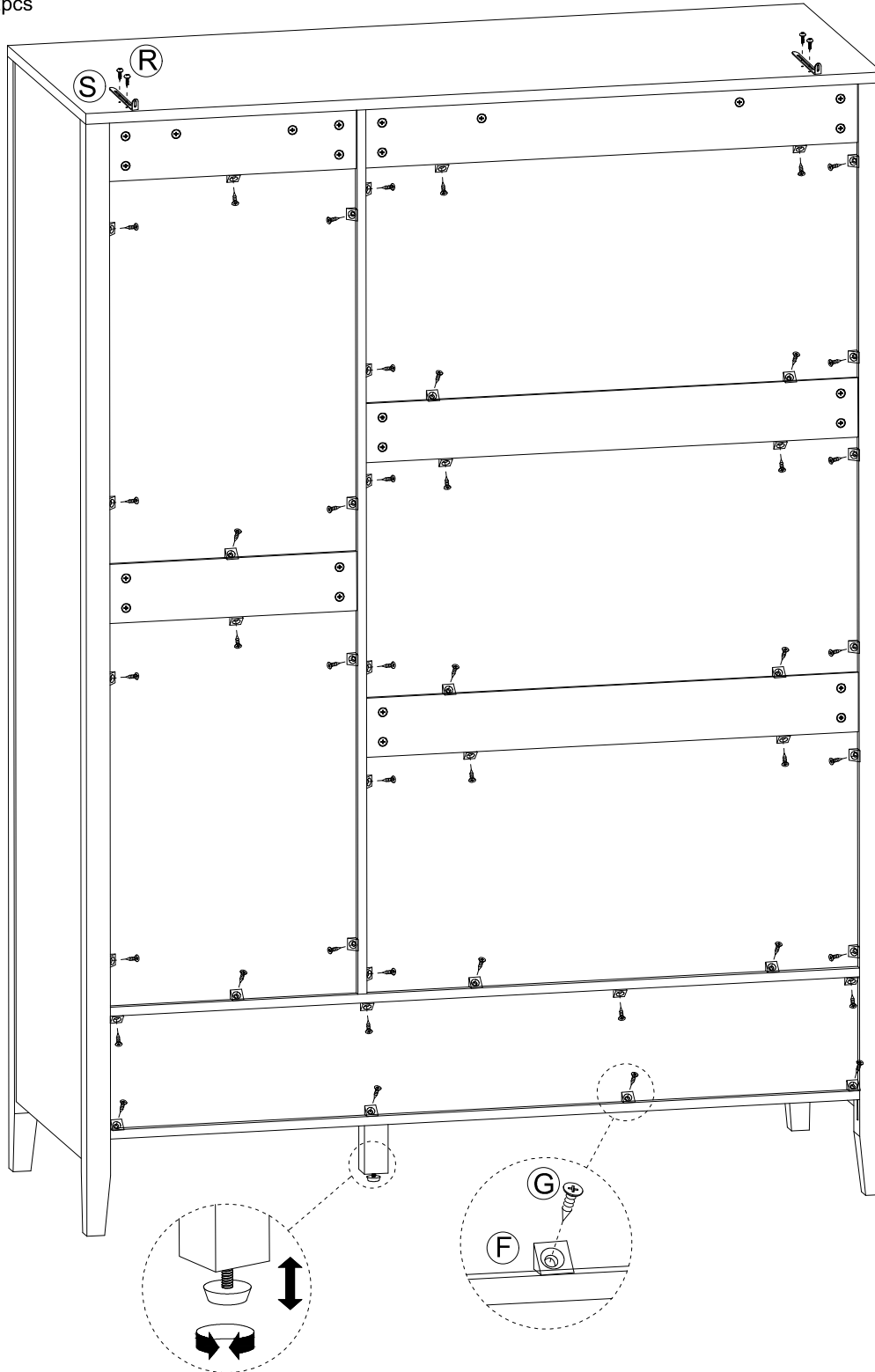
Step 32: Attach the plastic buckles and wall bracket. Before securing the plastic buckles, manually adjust the frame to ensure the drawer and doors are properly aligned, even, and parallel. Adjust the center leg if necessary.

(F)  44pcs

(G)  44pcs

(R)  4pcs

(S)  2pcs



Step 33: Fix the wall bracket to the wall by drilling holes, inserting wall anchors, and securing it with screws.

Ⓔ 2pcs

Ⓓ 2pcs

