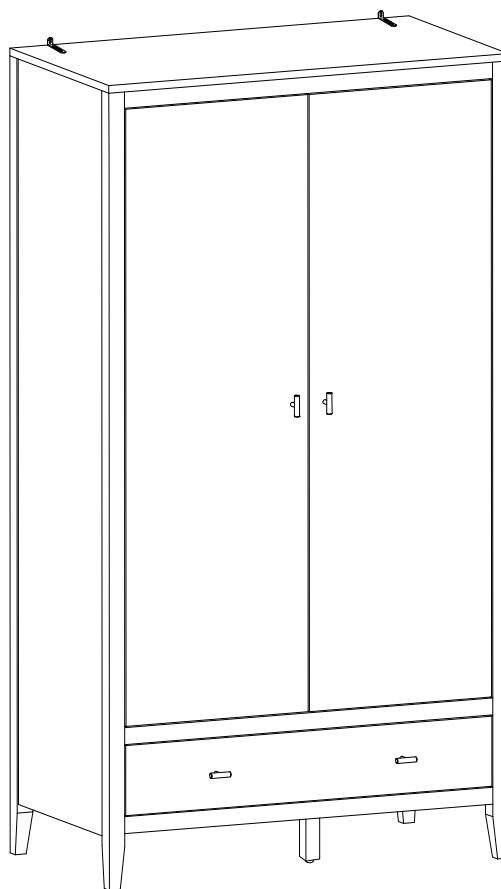


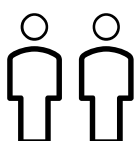
2 Door / 1 Drawer Wardrobe



THIS INSTRUCTION BOOKLET CONTAINS IMPORTANT SAFETY INFORMATION.
PLEASE READ AND KEEP FOR FUTURE REFERENCE.



70 minutes approx
assembly time



Two adults
assembly required

Important

Assembly Tip

Before you begin, we advise laying everything out on a clean and soft level surface to avoid damaging the unit or your floor. It's best to identify all of the parts and fittings to build your 2 door / 1 drawer wardrobe, and to familiarise yourself with all of the parts and fittings before building.

Top Tip

We recommend that you build your new 2 door / 1 drawer wardrobe in the room you'd like it to be located. This will help prevent any risk of damage to the product whilst moving it.

Safety and Care

1. It's important to ensure children and animals are kept away from the assembly area, as there are small components used in this 2 door / 1 drawer wardrobe which could present a choking hazard.
All plastic and wrapping materials should also be kept away from children and animals to prevent any risk of suffocation.
2. Do not stand on your product.
3. Always use the item on firm level ground, ensuring all legs remain in contact with the ground.
4. Place heaviest items in the lowest drawers.
5. Do not set TV or other heavy objects on top of the product.
6. Children should always be under supervision whilst using this product. Never allow children to climb on the drawers.
7. Never keep more than one drawer open at the same time.
8. The installation of anti tipping kit to secure your furniture is strongly suggested.
9. Serious or fatal crushing injuries can occur from tipping furniture.

Help and Support

Please contact our customer service team on 0113 519 0311 if you have any questions or issues with your purchase.

Recycling

Please ensure that packaging is disposed of in a safe and environmentally friendly way, and recycle where possible. Please keep your assembly instructions safe to refer back to in the future.

Care and Maintenance

1. Only clean using a damp cloth, do not use bleach or abrasive cleaners as they may damage the finish over time.
3. Do not scrub or rub the surface when cleaning.
2. Do not use a very wet cloth or allow any liquid to contact with the veneer for a long period of time. Wipe any spillage immediately. Absorption can cause wood to warp or finishes to de-laminate.
4. Do not drag the 2 door / 1 drawer wardrobe when moving, lift it off the floor instead.
5. Use a placemat or a coaster when putting hot items (e.g. hot drinks and dishes) on the wood surface.
6. It is not recommended to place the item next to sources of heat such as radiators, fires or directly exposed to sunlight. This may cause the wood to crack, split or fade due to the change of the humidity and temperature.
7. Wood will mellow and change colour over time, we recommend that ornaments and items placed on the surface to be moved regularly to prevent uneven mellowing.
8. Regularly check all fixings to ensure none have come loose. Re-tighten if necessary.
9. Avoid sharp items such as a screwdriver or any pointy tools.

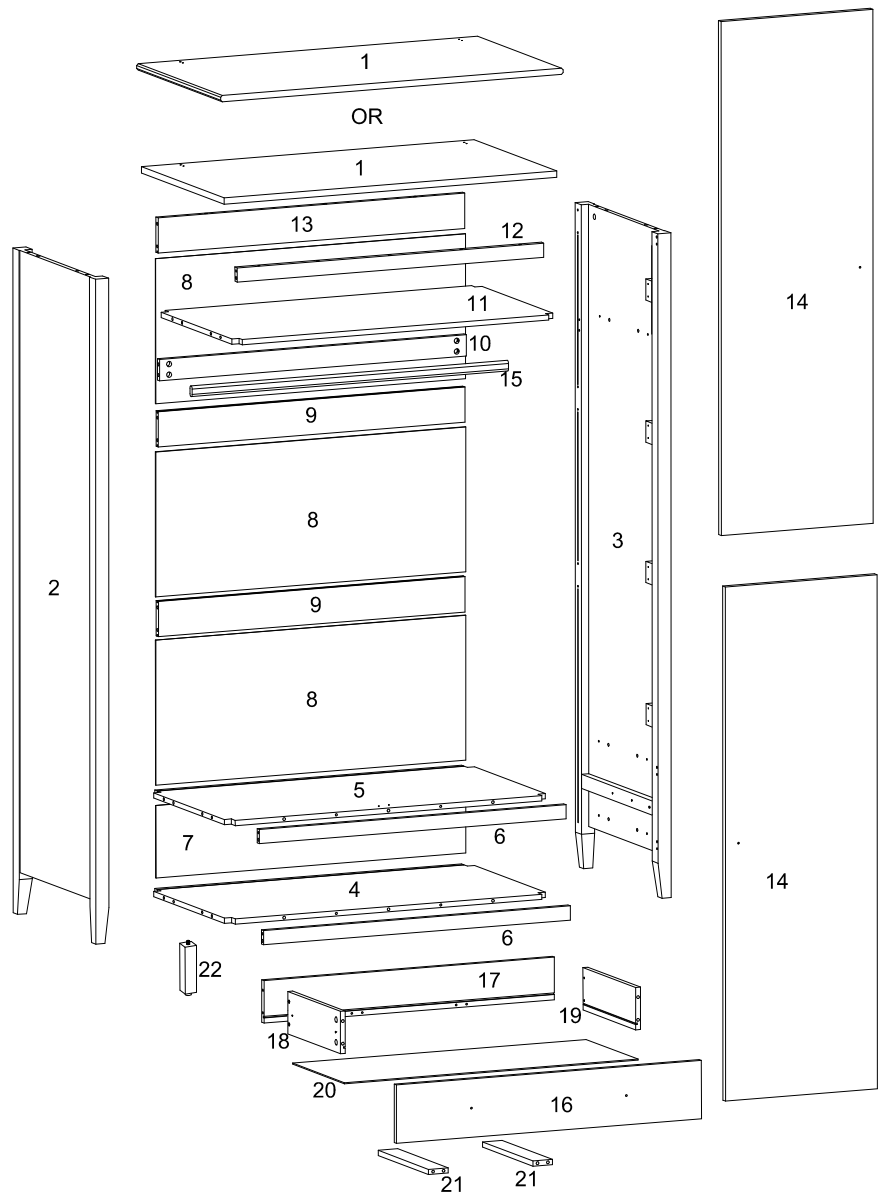
Parts checklist

Please check you have all the parts listed below with your product:

Do not discard any of the packaging until you have checked that you have all the parts and the pack of fixings.

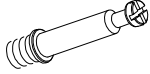


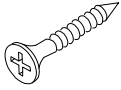
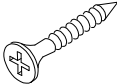
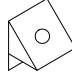

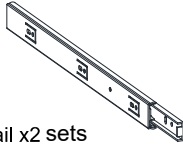




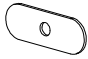
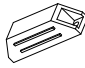
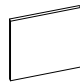
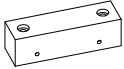
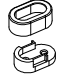

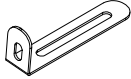
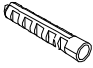
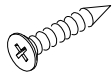


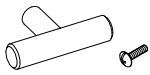


Note: There are 2 styles of part 1, both assemble identically so please follow the same instructions for whichever style you have chosen. Part 1 is packed in other boxes.

Part Number	Part Description	Qty
1	Top Panel	1 pc
2	Left Panel	1 pc
3	Right Panel	1 pc
4	Bottom Panel	1 pc
5	Bottom Shelf Panel	1 pc
6	Lower Front Support Bar	2 pcs
7	Lower Back Panel	1 pc
8	Middle Back Panel	3 pcs
9	Lower Back Support Bar	2 pcs
10	Middle Back Support Bar	1 pc
11	Top Shelf Panel	1 pc
12	Upper Front Support Bar	1 pc
13	Upper Back Support Bar	1 pc
14	Door	2 pcs
15	Hanging Bar	1 pc
16	Drawer Front	1 pc
17	Drawer Back Side	1 pc
18	Drawer Left Side	1 pc
19	Drawer Right Side	1 pc
20	Drawer Bottom	1 pc
21	Drawer Support Bar	2 pcs
22	Centre Leg	1 pc

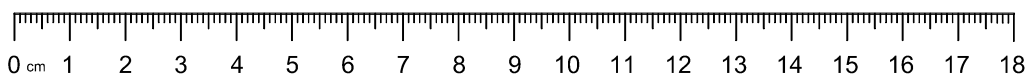


Fittings checklist

Please check you have all the fittings listed below with your product:

 <p>A M6x35mm Cam Bolt x55pcs(+ 4 extra)</p>	 <p>B Ø15x9mm Cam x55pcs(+ 4 extra)</p>	 <p>C Ø8x30mm Wood Dowel x28pcs(+3 extra)</p>
 <p>D M4x45mm Screw x3pcs</p>	 <p>E M4x35mm Screw x10pcs(+1 extra)</p>	 <p>F Plastic Buckle x26pcs(+3 extra)</p>
 <p>G M3x14mm Screw x32pcs(+ 4 extra)</p>	 <p>H Slide Rail x2 sets</p>	 <p>I M3x12mm Screw x14pcs(+1 extra)</p>
 <p>J Hinge x8pcs</p>	 <p>K M3.5x12mm Screw x48pcs(+4 extra)</p>	 <p>L Cover x12pcs(+1 extra)</p>
 <p>M Door Strike Plate x4pcs</p>	 <p>N Door Catch x2pcs</p>	 <p>O Felt Mat x4pcs</p>
 <p>P Wooden Block x1pc</p>	 <p>Q Tube Bracket x2sets</p>	 <p>R M3x14mm Screw x4pcs</p>
 <p>S Wall Bracket x2pcs</p>	 <p>T Wall Anchor x2pcs</p>	 <p>U M3x18mm Screw x2pcs</p>
 <p>V M4x25mm Screw x2pcs</p>		
<div style="display: flex; justify-content: space-around; align-items: center;"> <div style="text-align: center;">  <p>OR</p> </div> <div style="text-align: center;">  <p>OR</p> </div> <div style="text-align: center;">  <p>OR</p> </div> <div style="text-align: center;">  </div> </div> <p>Z Handlex4pcs Screw M4X20mm X4pcs Handlex4pcs Screw M4X20mm X4pcs Handlex4pcs Screw M4X20mm X4pcs Handlex4pcs Screw M4X16mm X4pcs</p> <p>Note: We have 4 styles of handle, all assemble identically so please follow the same instructions for all. Handle and corresponding screws are packaged separately.</p>		

Bolt Length Ruler:



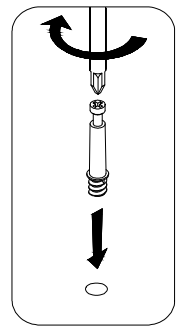
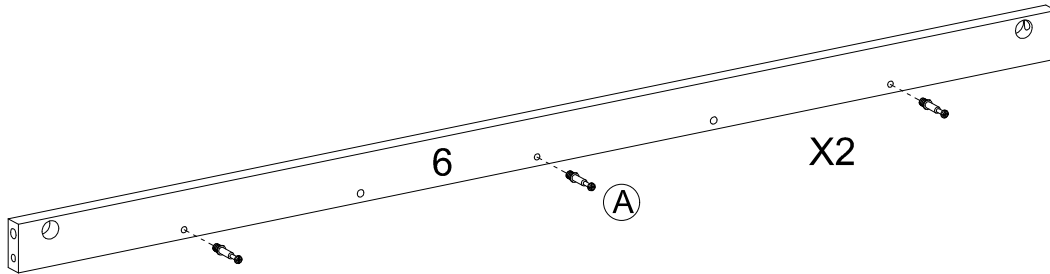
Tool required




Crosshead Screwdriver (not provided)

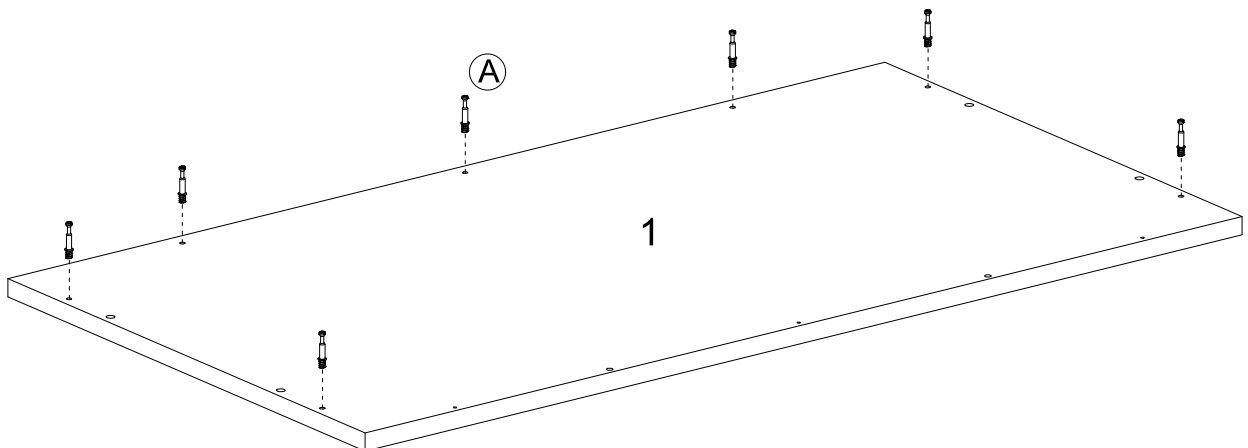
Step 1: Attach the Cam Bolt to the Lower Front Support Bar (6).

(A)  6pcs



Step 2: Attach the Cam Bolt to the Top Panel (1).

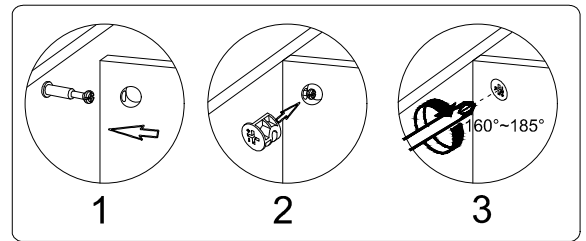
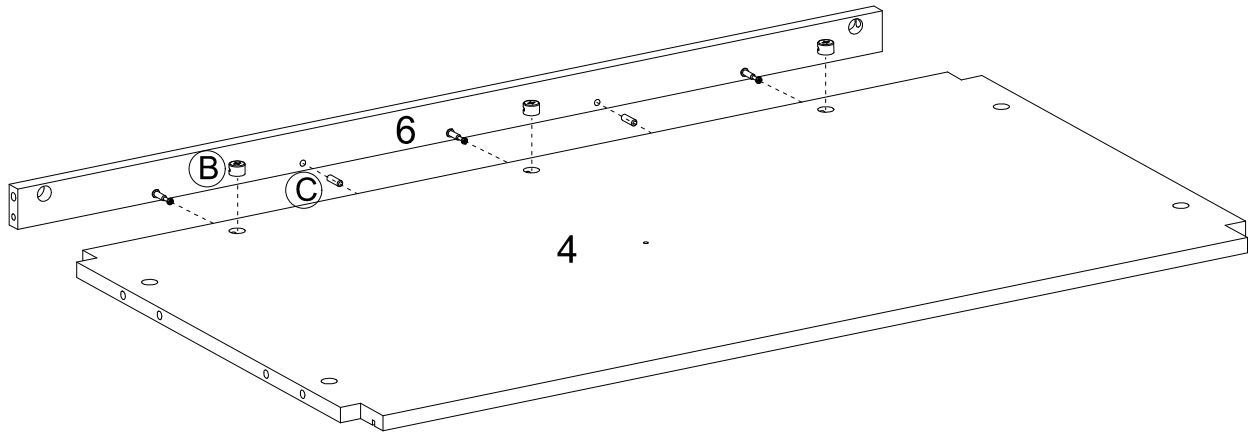
(A)  7pcs



Step 3: Attach the Lower Front Support Bar (6) to the Bottom Panel (4).

(B)  3pcs

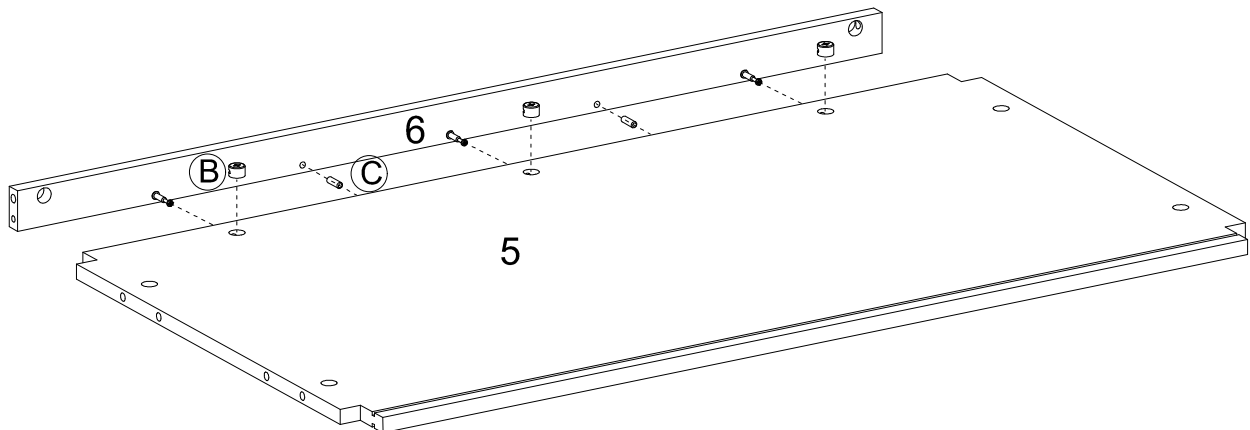
(C)  2pcs







Step 4: Attach the Lower Front Support Bar (6) to the Bottom Shelf Panel (5).

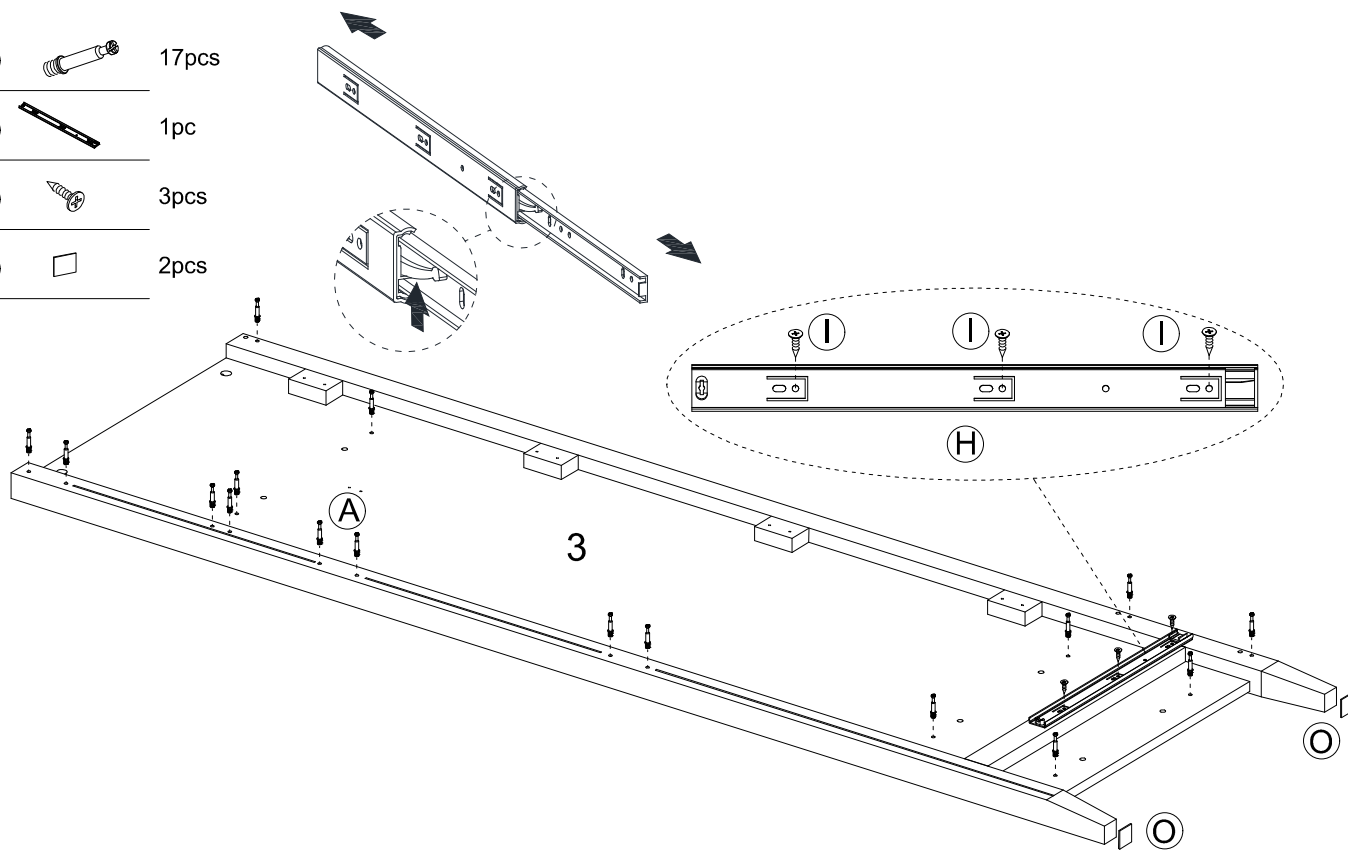
(B)  3pcs

(C)  2pcs

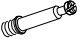





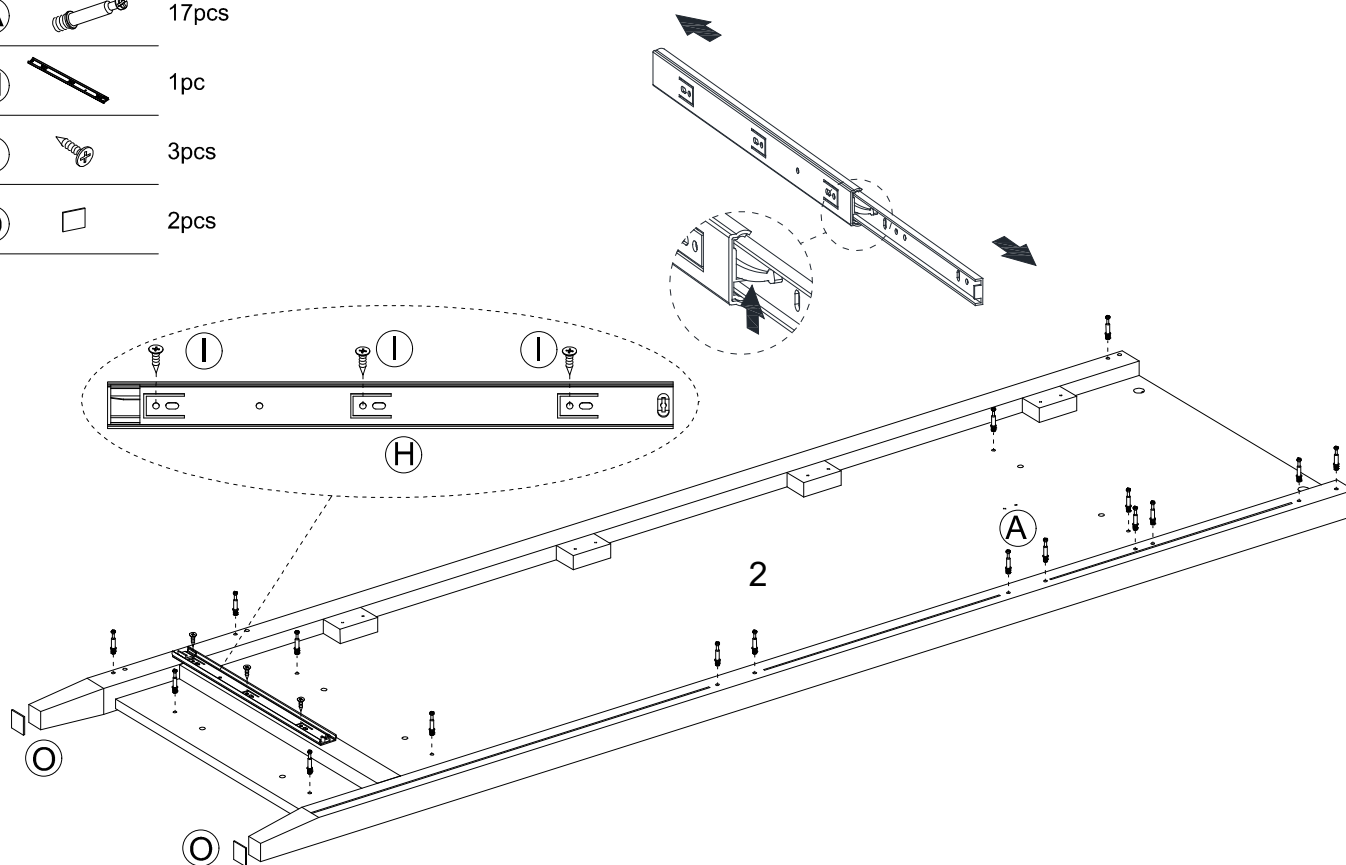
Step 5: Attach the fitting and Slide Rail to the Right Panel (3).

- (A)  17pcs
- (H)  1pc
- (I)  3pcs
- (O)  2pcs


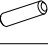






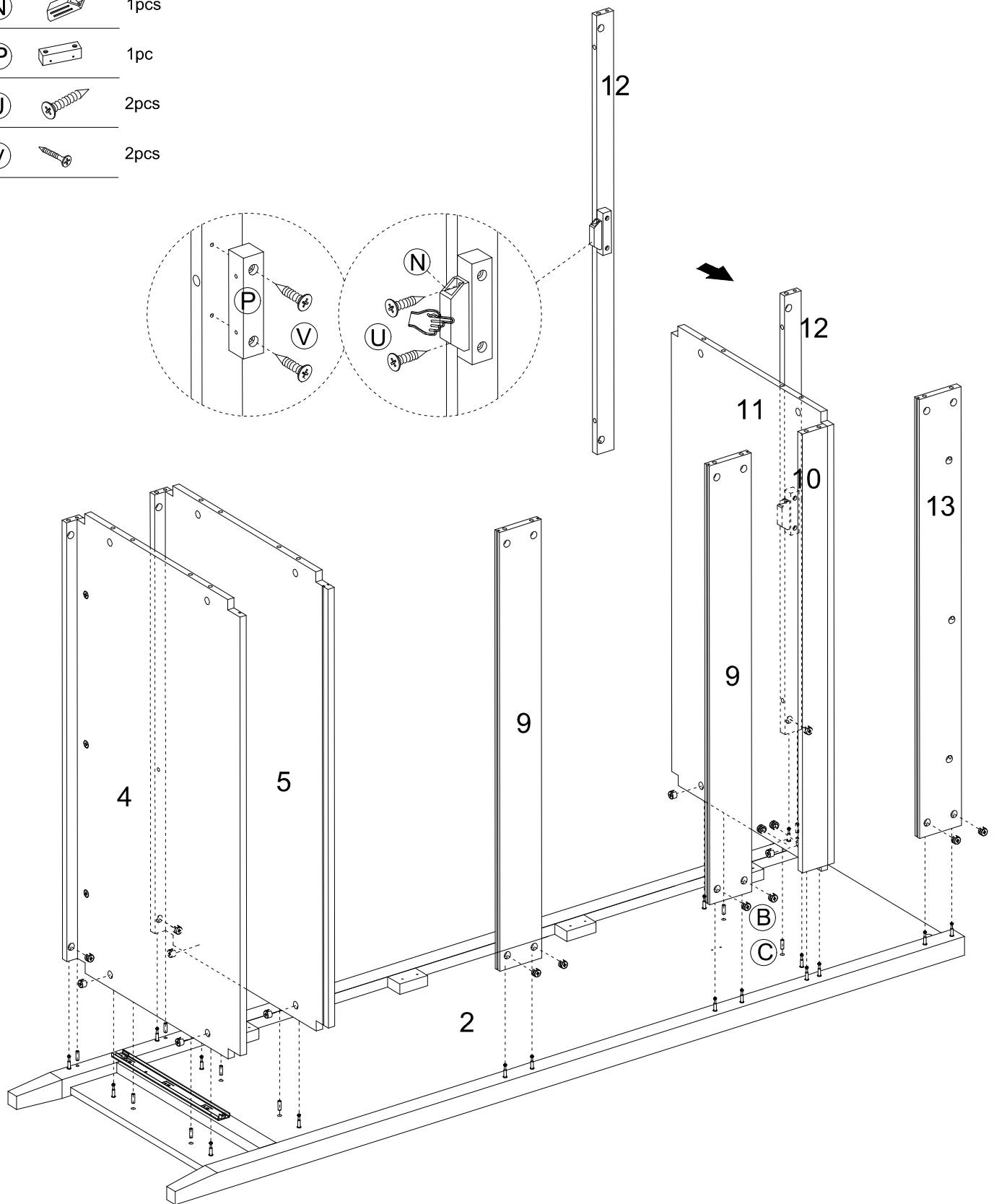
Step 6: Attach the fitting and Slide Rail to the Left Panel (2).

- (A)  17pcs
- (H)  1pc
- (I)  3pcs
- (O)  2pcs

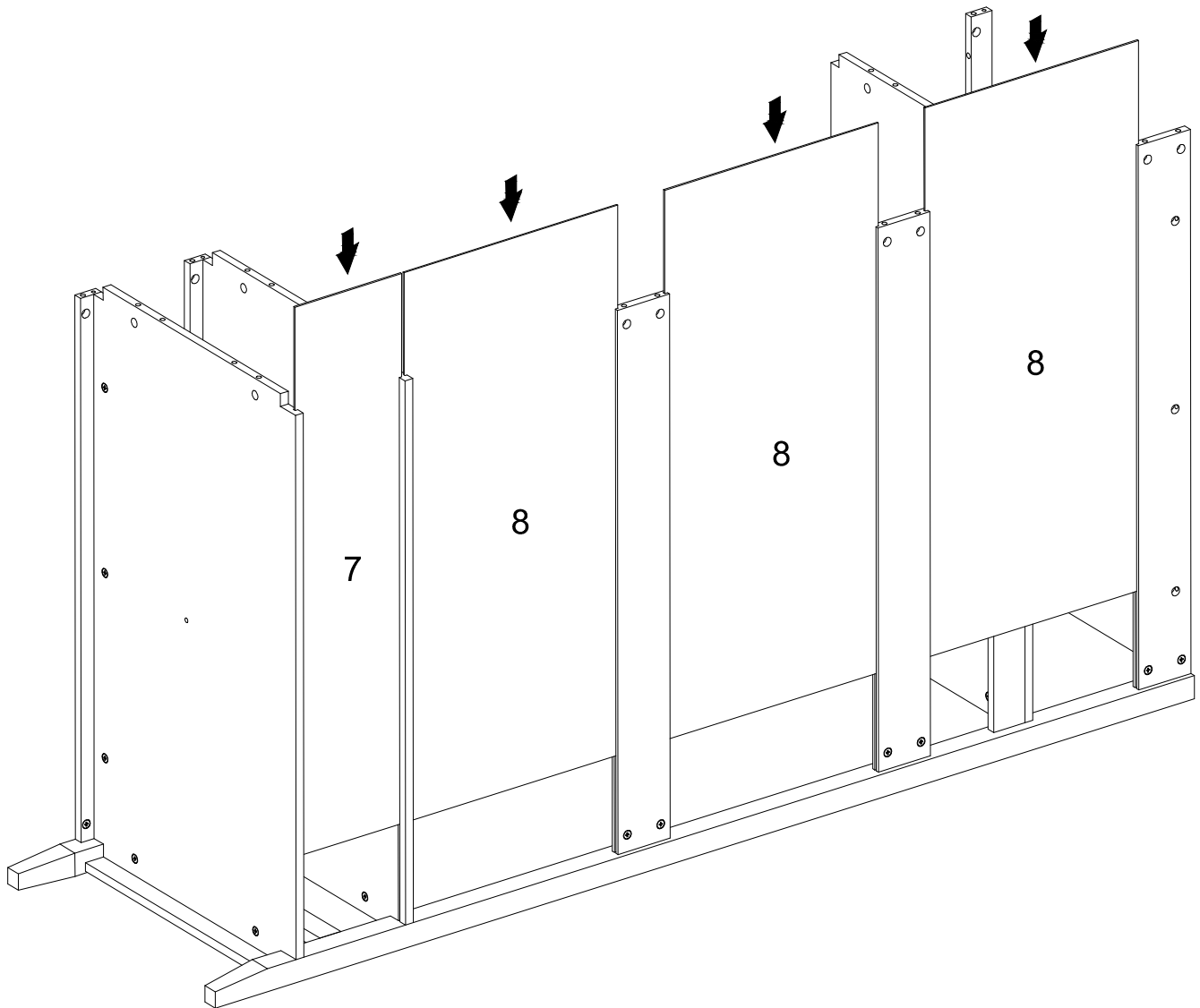


Step 7: Attach the wooden block and door catch to Upper Front Support Bar (12). Attach parts (4, 5, 9, 10, 11, 12, 13) to Left Panel (2).

- ⓑ  17pcs
- ⓒ  9pcs
- Ⓝ  1pcs
- Ⓟ  1pc
- Ⓤ  2pcs
- Ⓥ  2pcs



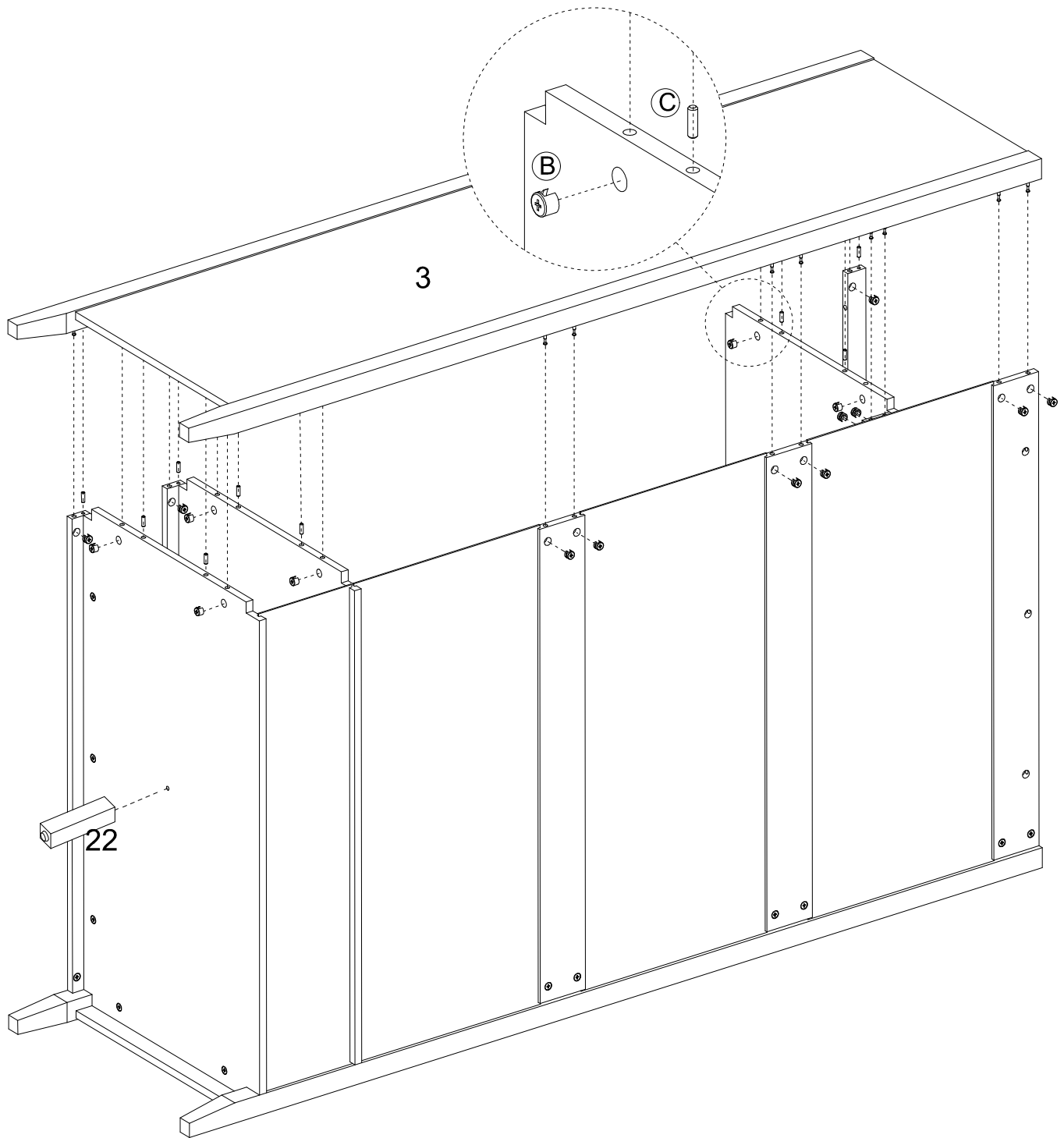
Step 8: Attach Lower Back Panel (7) and Middle Back Panels (8) to the Frame.



Step 9: Attach Right Panel (3) to the Frame. Attach and tighten the Centre Leg (22) to the bottom panel.

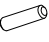
(B)  17pcs

(C)  9pcs

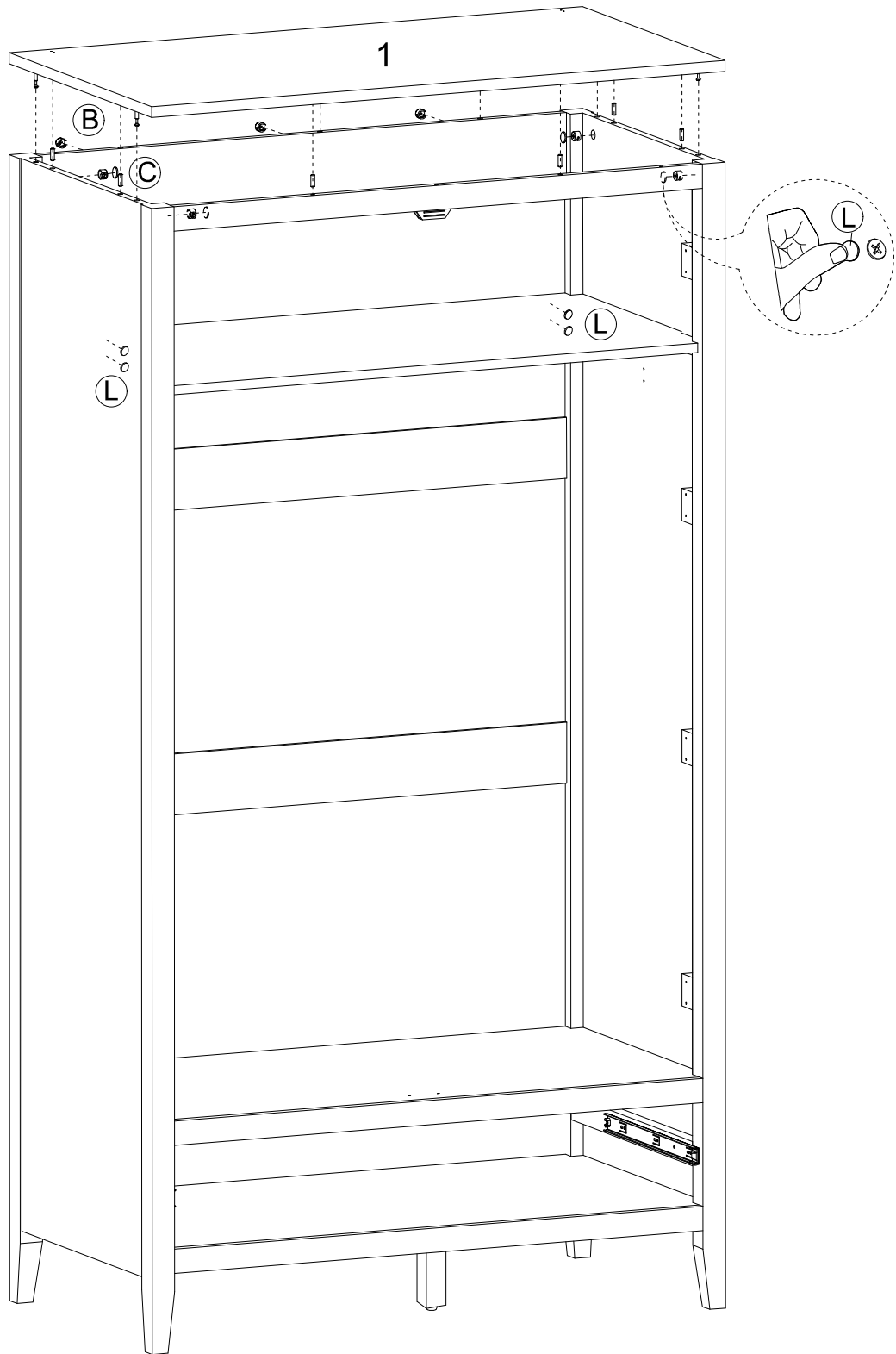


Step 10: Attach Top Panel (1) to the Frame.

(B)  7pcs

(C)  6pcs

(L)  8pcs



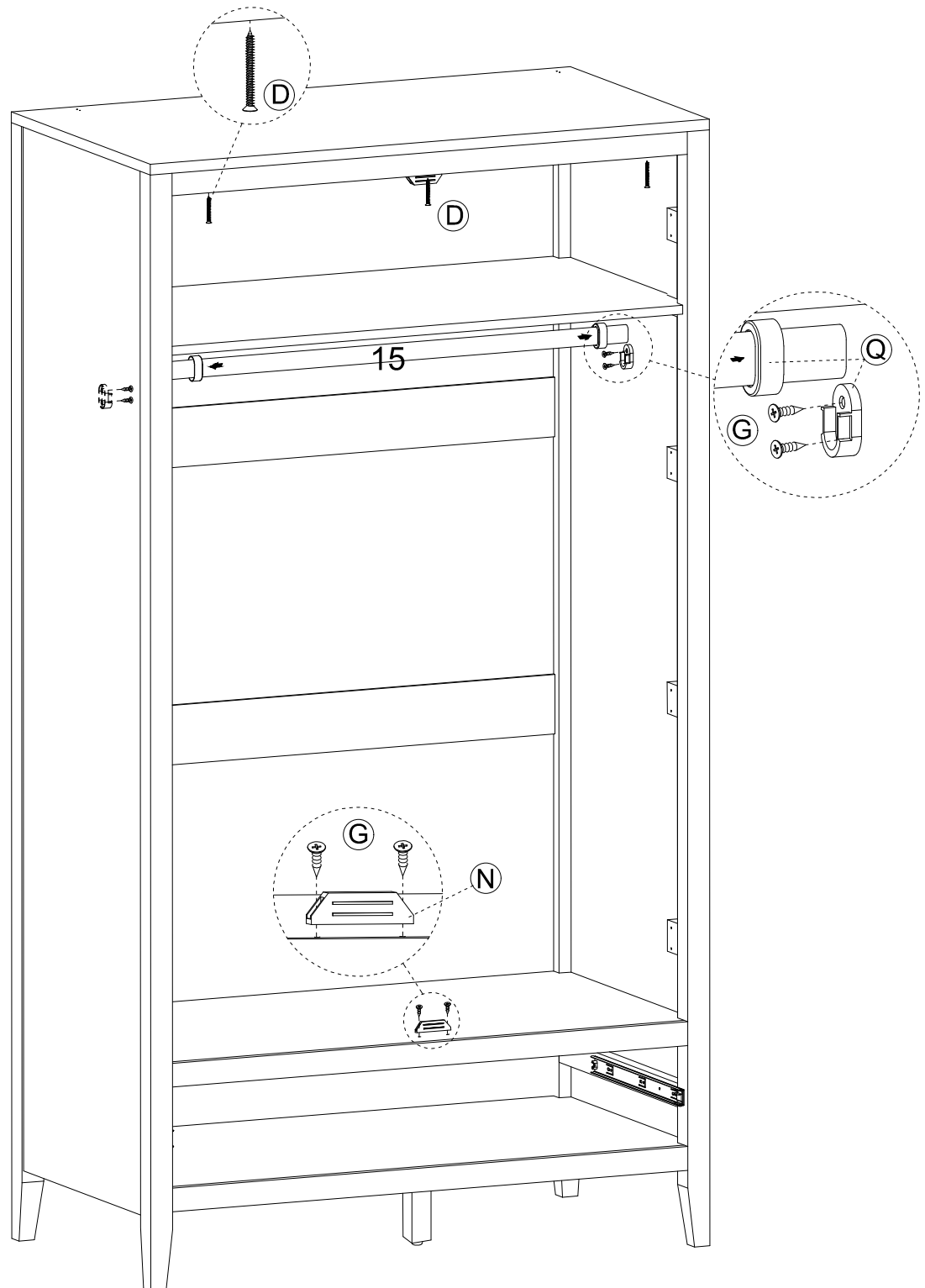
Step 11: Fasten the Upper Front Support Bar to Top Panel using screw (D). Attach Door Catch (N) and Tube Bracket (Q) to the Frame.

Ⓓ  3pcs

Ⓖ  6pcs

⒩  1pcs

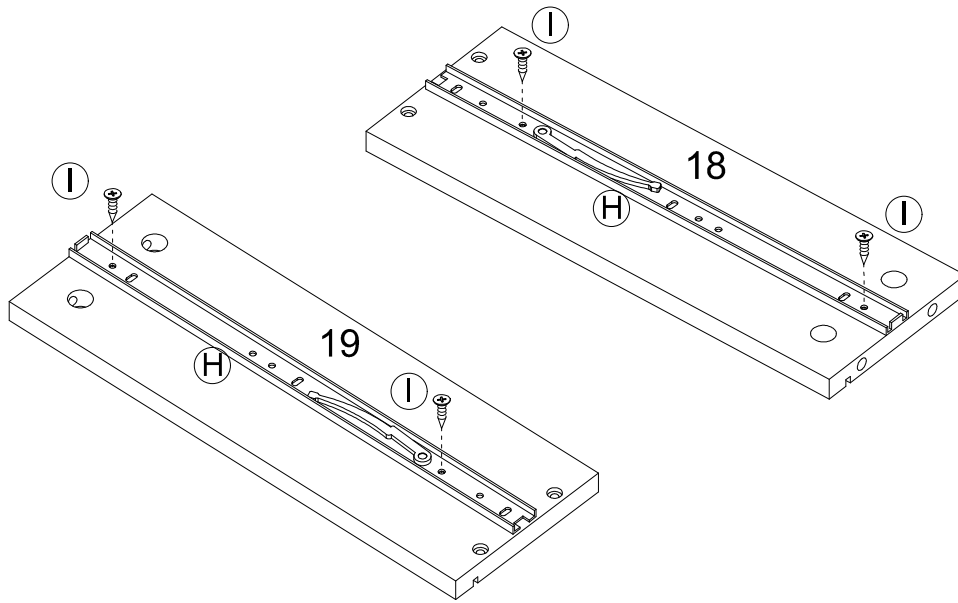
Ⓖ  2sets



Step 12: Attach the Slide Rail to the Drawer Left Side (18) and Drawer Right Side (19).

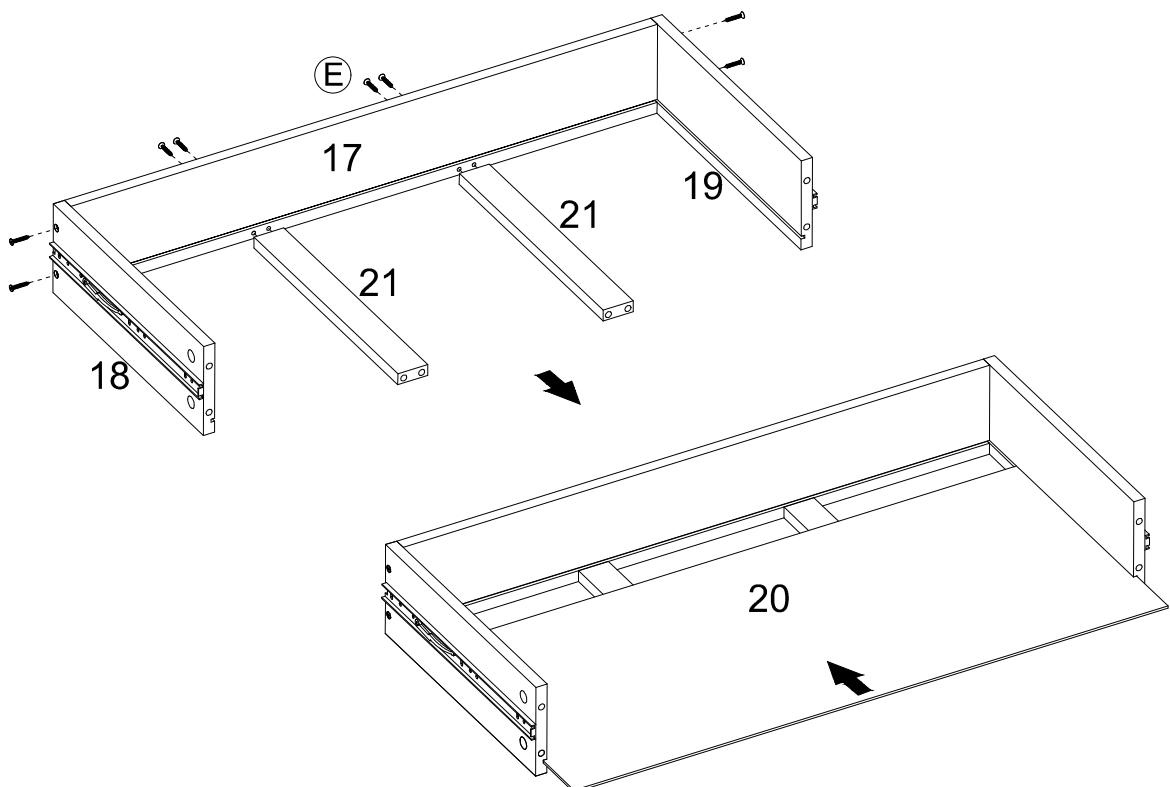
Ⓜ 2pcs

Ⓛ 4pcs



Step 13: Attach the Drawer.

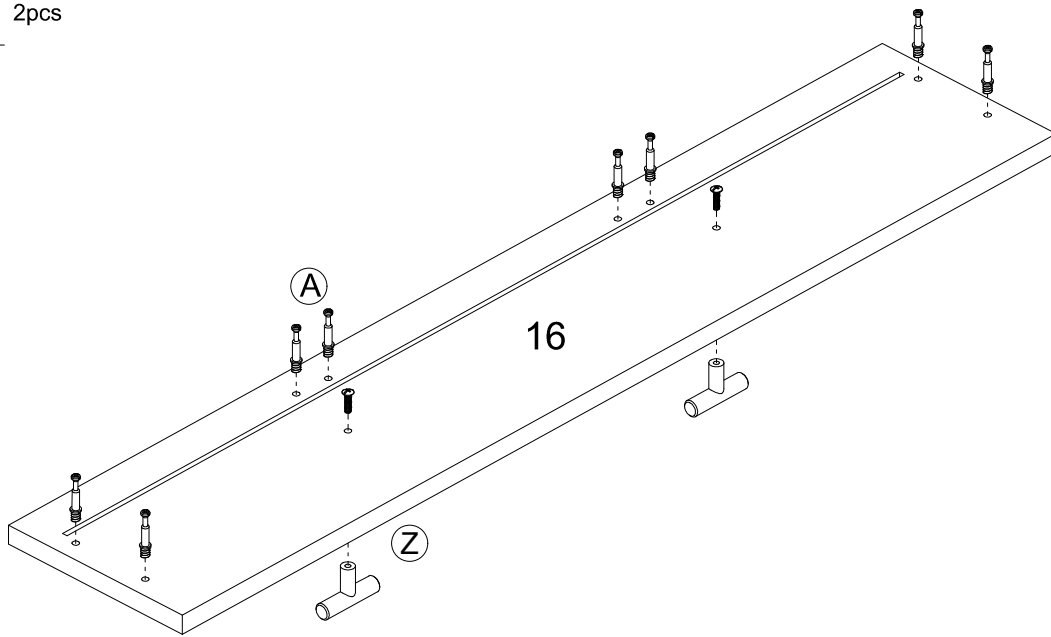
ⓔ 8pcs



Step 14: Attach the fittings and handle to the Drawer Front (16).

(A)  8pcs

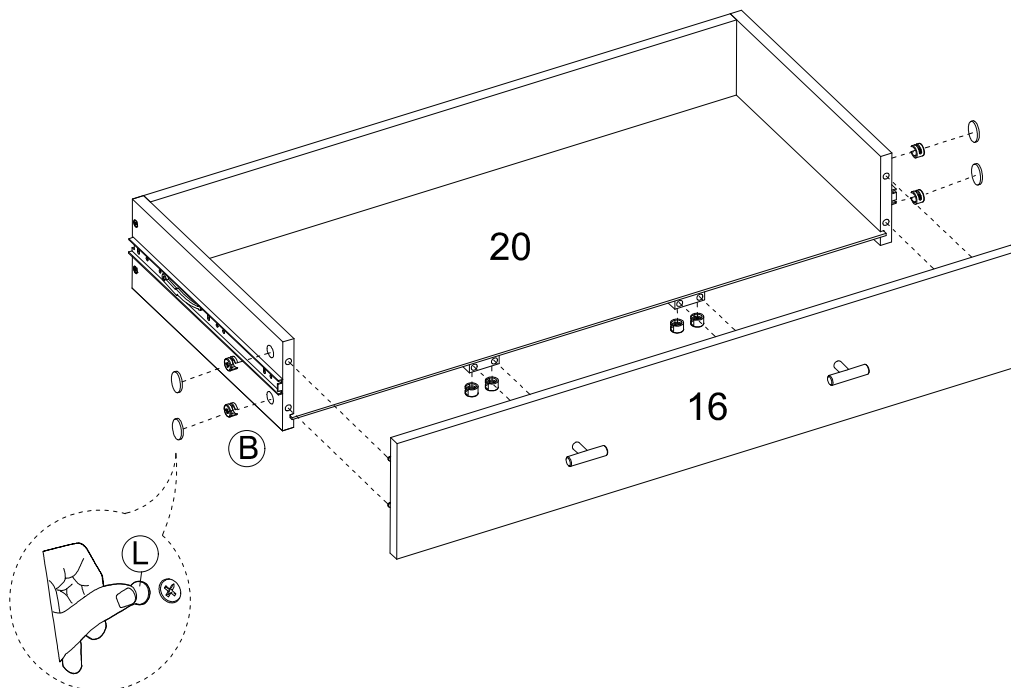
(Z)  2pcs



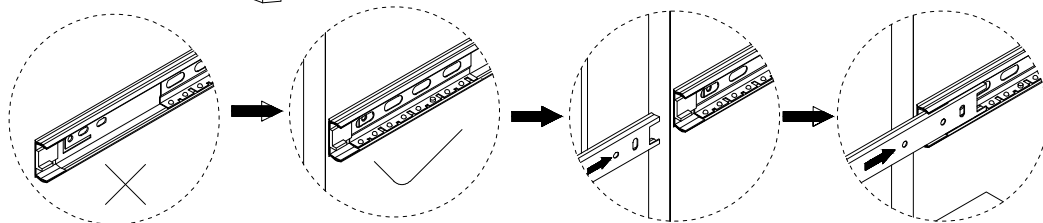
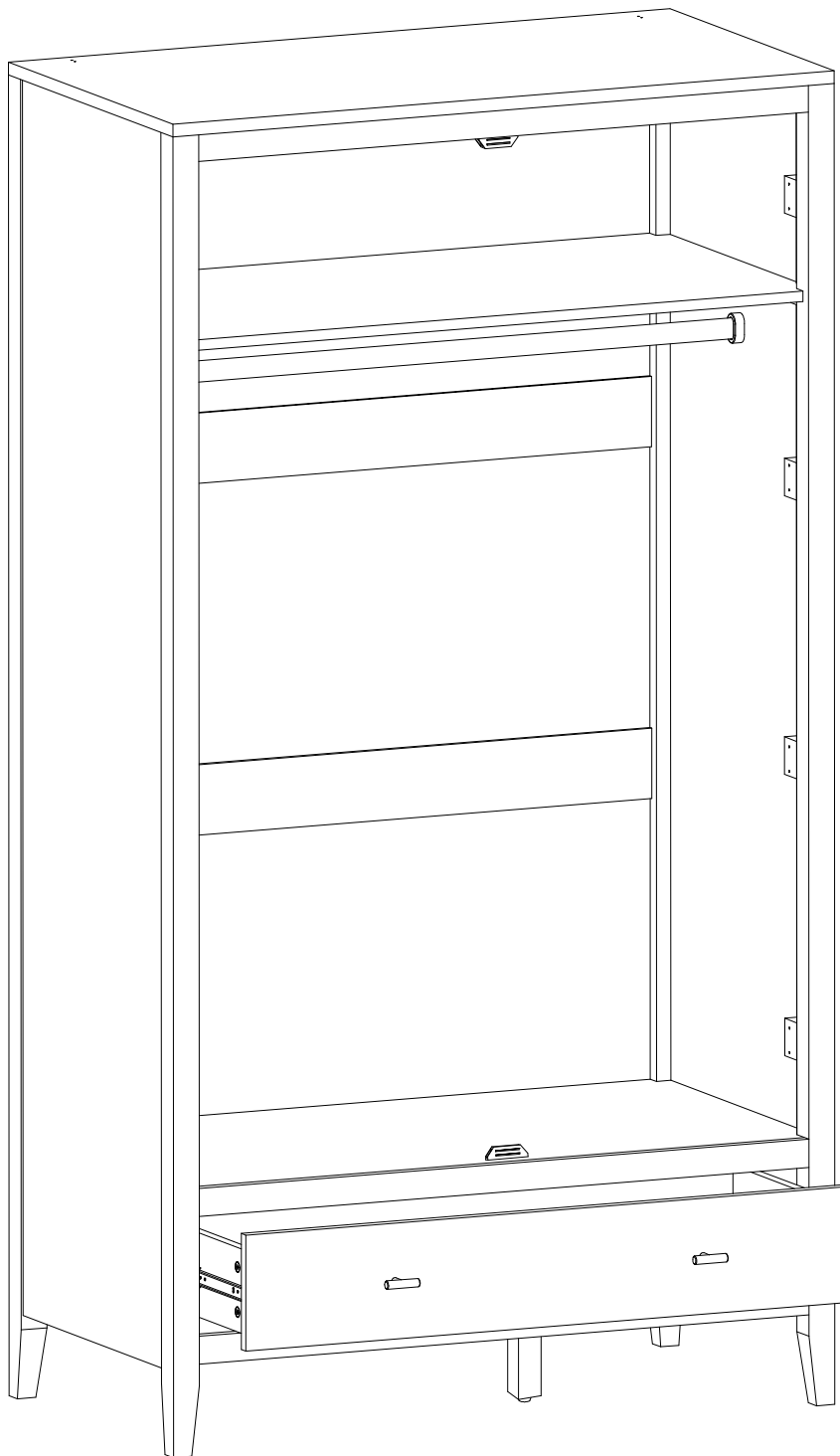
Step 15: Attach the Drawer Front (16) to the Frame.

(B)  8pcs

(L)  4pcs

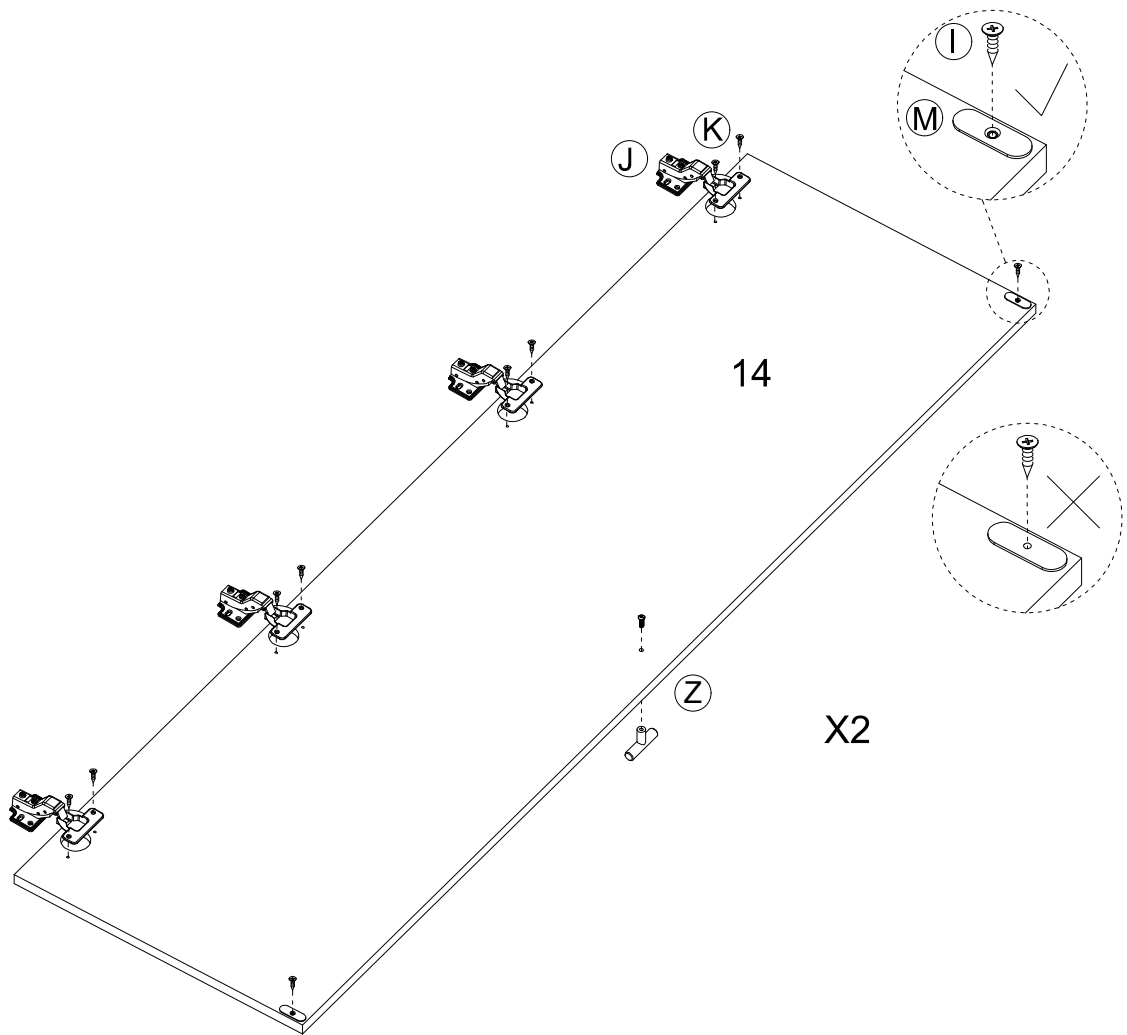


Step 16: Slide the drawer into the Frame.



Step 17: Attach the Hinges, Handle and Door Strike Plate to Door (14)

- ⓐ 4pcs
- ⓑ 8pcs
- ⓒ 16pcs
- ⓓ 4pcs
- ⓔ 2pcs

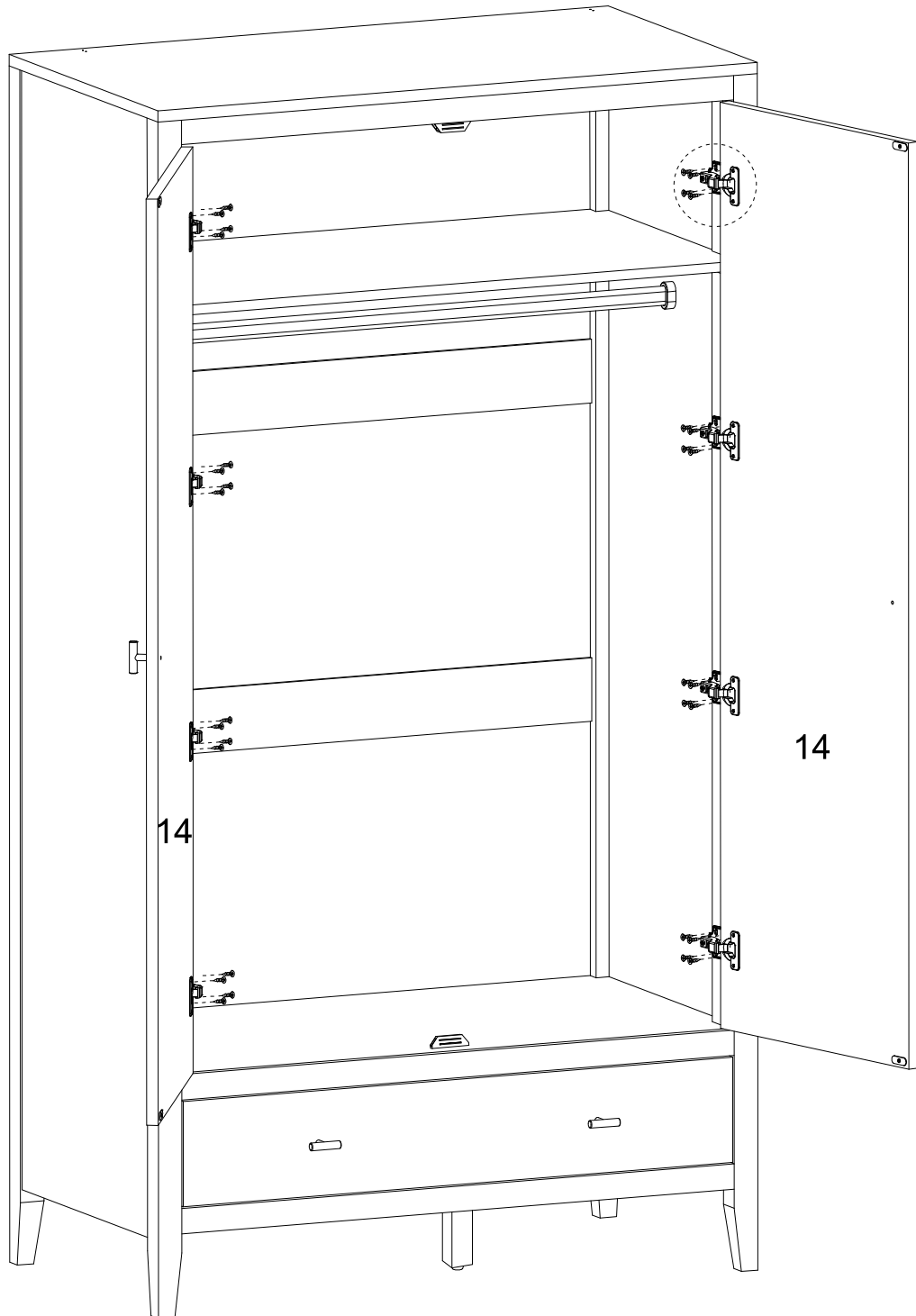
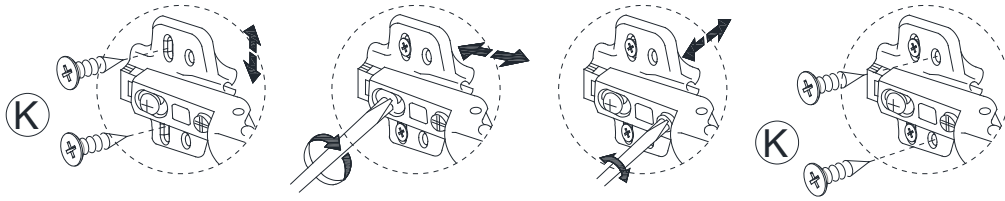


Step 18: Attach the Doors (14) to the Frame.

(K)



32pcs



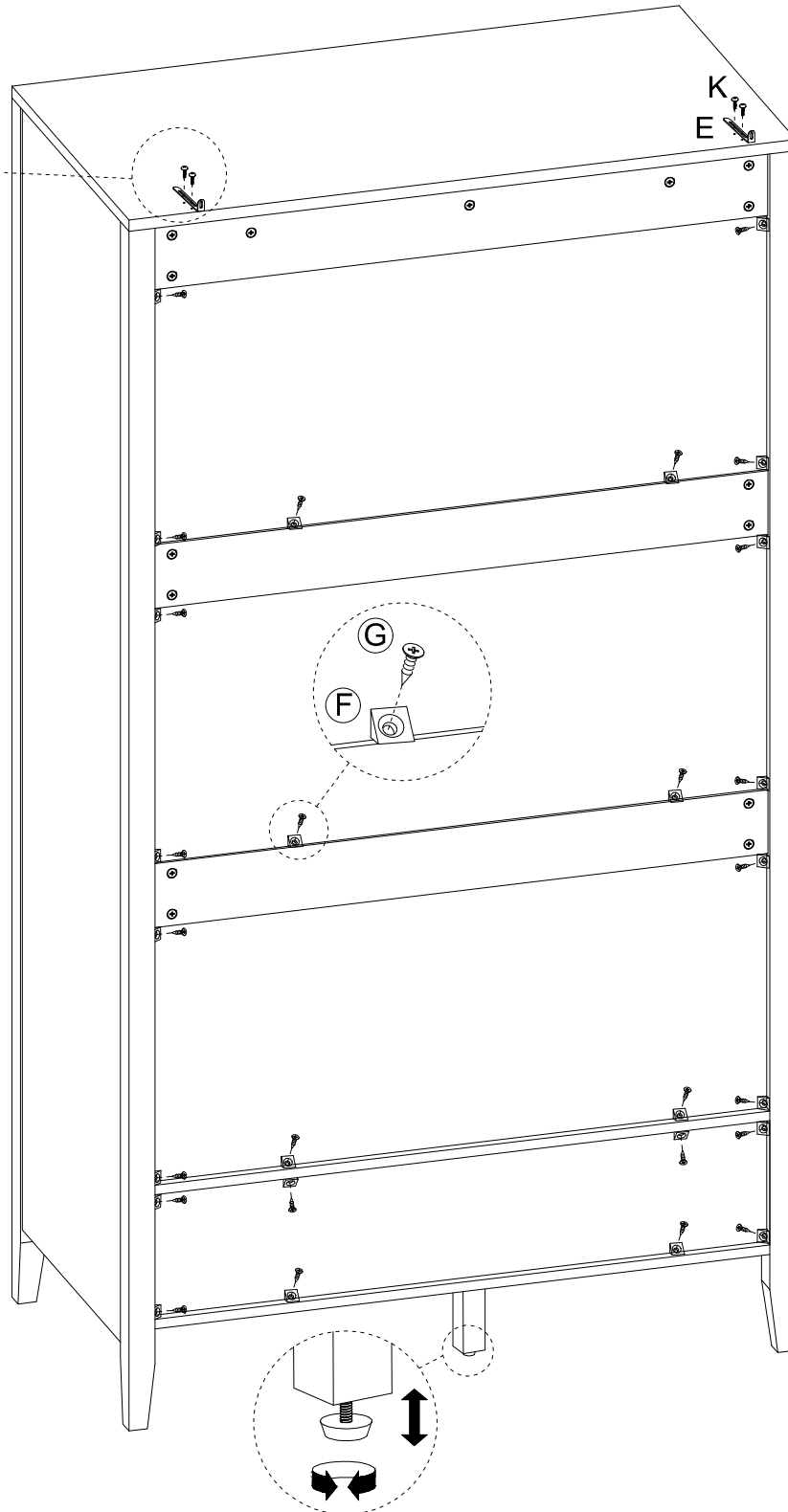
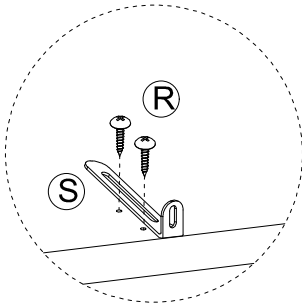
Step 19: Attach the plastic buckles and wall bracket. Before securing the plastic buckles, manually adjust the frame to ensure the drawer and doors are properly aligned, even, and parallel. Adjust the center leg if necessary.

(F)  26pcs

(G)  26pcs

(R)  4pcs

(S)  2pcs



Step 20: Fix the wall bracket to the wall by drilling holes, inserting wall anchors, and securing it with screws.

Ⓔ 2pcs

Ⓓ 2pcs

