

# DUSK.COM

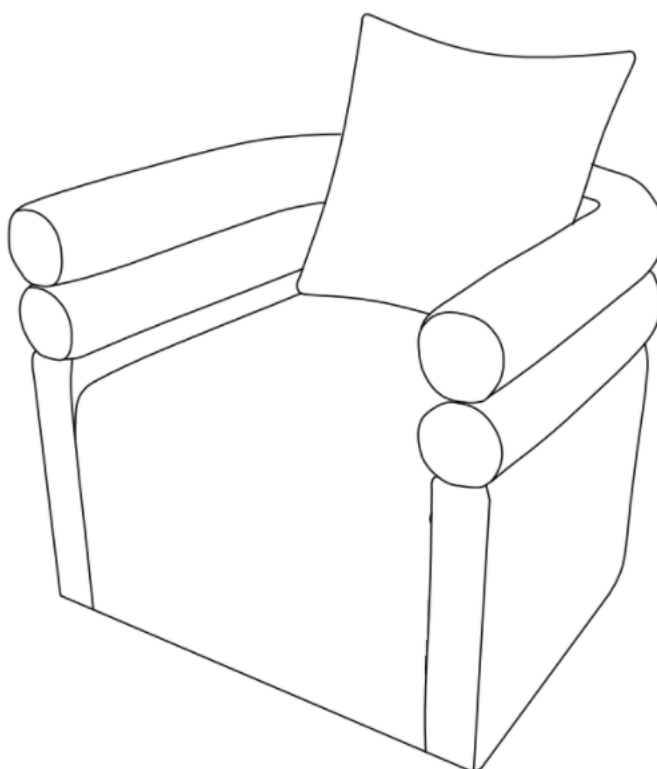
LIVING | BEDROOM | DINING

Range Name: Maya

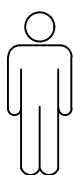
Box Dimensions: W78xD78xH65 (cm)

Product Dimensions: W76xD76xH85 (cm)

## Maya Accent Chair



Up to 10 minutes  
assembly time



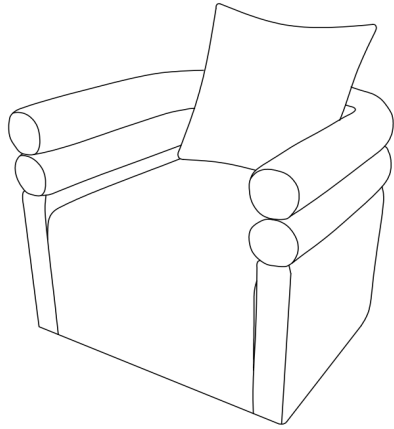
One person  
assembly

V-1.0

Page-1-4

# Parts Check List



Before you start to build your chair, please take a moment to read through the instructions and make sure that you have all the relevant parts listed on the parts check list.



NO.	Part list	Qty
1	Frame	1pc
2	Back Pillow	1pc

# Fittings Check List

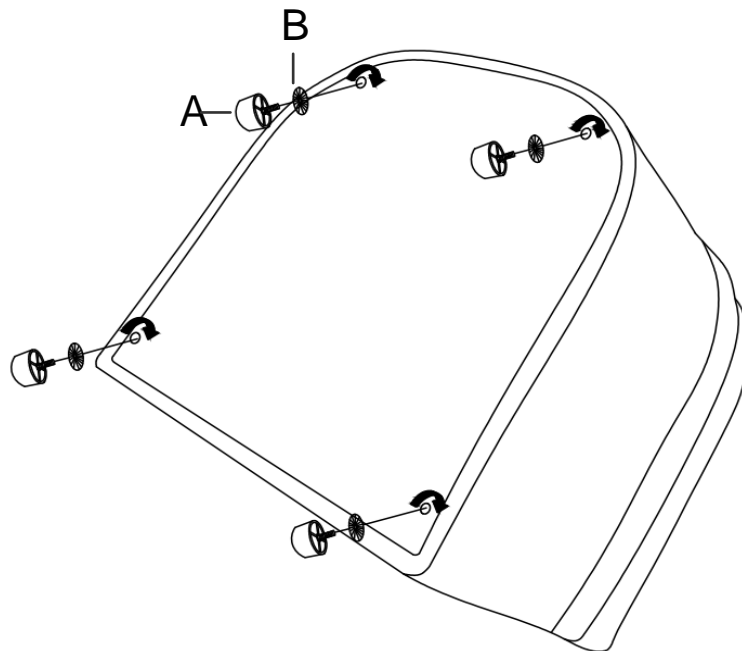
Please check you have all the fittings listed below with you product.

A	B
	
Dia6*H3cm Leg	Gasketø4.5*ø1
4pcs	4pcs

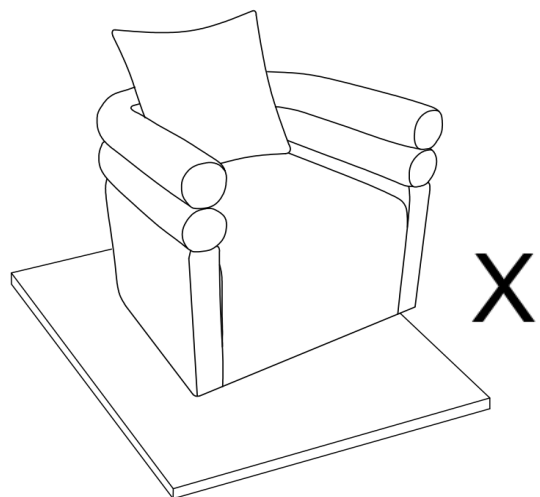
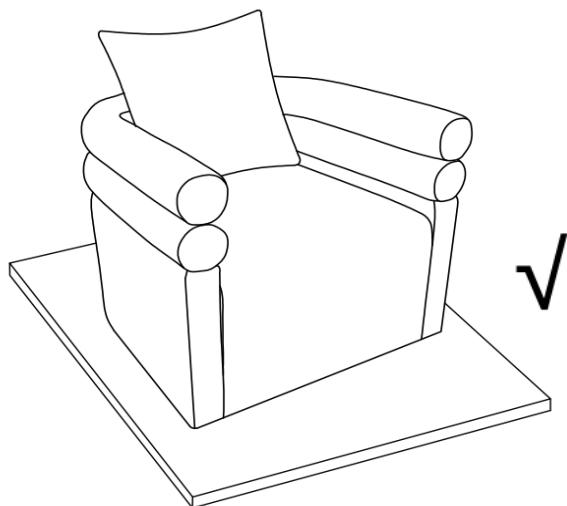
Step 1: Fasten the legs(A) and the plastic washers(B) to the bottom of the chair.

A  4pcs

B  4pcs



Step 2: Put the assembled chair onto a flat base and then fully tighten all bolts.



## **Care and Maintenance**

1. Clean with your vacuum curtain attachment (the one with a lint-catching fabric strip) or a lint roller to stop dust build up. Do this regularly to keep the chair in its best condition.
2. Try to keep your chair away from direct sunlight, and not too close to heat sources, as this can cause fading over time. Do not allow the chair to make direct contact with any radiators or sources of heat.
3. Wipe up the spillages as quickly as possible by gently dabbing or blotting with a dry cloth until the mark fades away. Some tougher spills, such as oil and grease, can be more persistent and leave a stain. In this case, it's best to contact a specialist cleaning service.
4. Do not drag the chair. When moving, lift the chair off the floor.
5. Keep children and pets away while assembling the chair. Small parts could be a choking hazard.
6. Re-tighten all nuts and bolts after two weeks of use and regularly thereafter.
7. Do not sit on the arms of the chair.
8. Do not jump on the chair.
9. Only use the chair on a flat and level surface.
10. Dispose of all packaging carefully and responsibly - recycle where possible.
11. This product is intended for domestic use only, not commercial purposes.

## **Important**

### **Assembly Tip**

Before you begin, it's best to identify all of the parts and fittings to build your chair.

We advise laying these out on the floor to check you have everything, and to familiarise your-self with all of the parts and fittings before building.

### **Top Tip**

We recommend that you build your new chair in the room you'd like it to be located. This will help prevent any risk of damage to the frame whilst moving it.

### **Safety and Care**

It's important to ensure children and animals are kept away from the assembly area. As there are small components used in this product which could present a choking hazard. All plastic and wrapping materials should also be kept away from children and animals to prevent any risk of suffocation.

### **Help and Support**

Please contact our customer service team on 0113 519 0311 if you have any questions or issues with your purchase.

### **Recycling**

Please ensure that packaging is disposed of in a safe and environmentally friendly way, and recycle where possible. Please keep your assembly instructions safe to refer back to in the future.