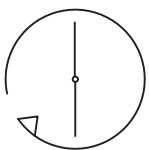
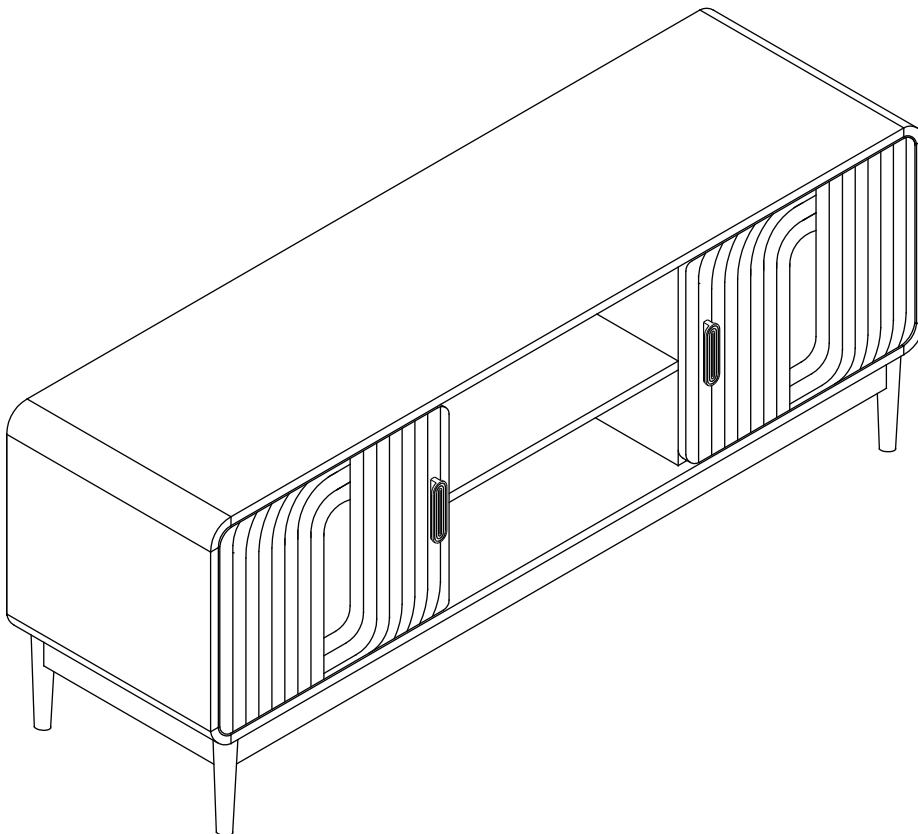
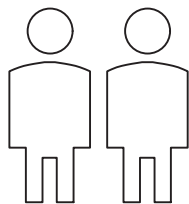


Marnie Tv Unit



Up to 120 minutes
assembly time



Two person
assembly



Electric screwdriver
prohibited

This product is intended for domestic use only, not for commercial purposes.

IMPORTANT

ASSEMBLY TIP

Before you begin, it's best to identify all of the parts and fittings to build your Marnie Tv Unit frame. We advise laying these out on the floor to check you have everything, and to familiarise yourself with all of the parts and fittings before building.

TOP TIP

We recommend that you assemble the Marnie Tv Unit in the room you'd like it to be located.

This will help prevent any risk of damage to the frame whilst moving it.

SAFETY AND CARE

It's important to ensure children and animals are kept away from the assembly area, as there are small components used in this product which could present a choking hazard. All plastic and wrapping materials should also be kept away from children and animals to prevent any risk of suffocation.

HELP AND SUPPORT

Please contact our customer service team on 0113 519 0311 if you have any questions or issues with your purchase.

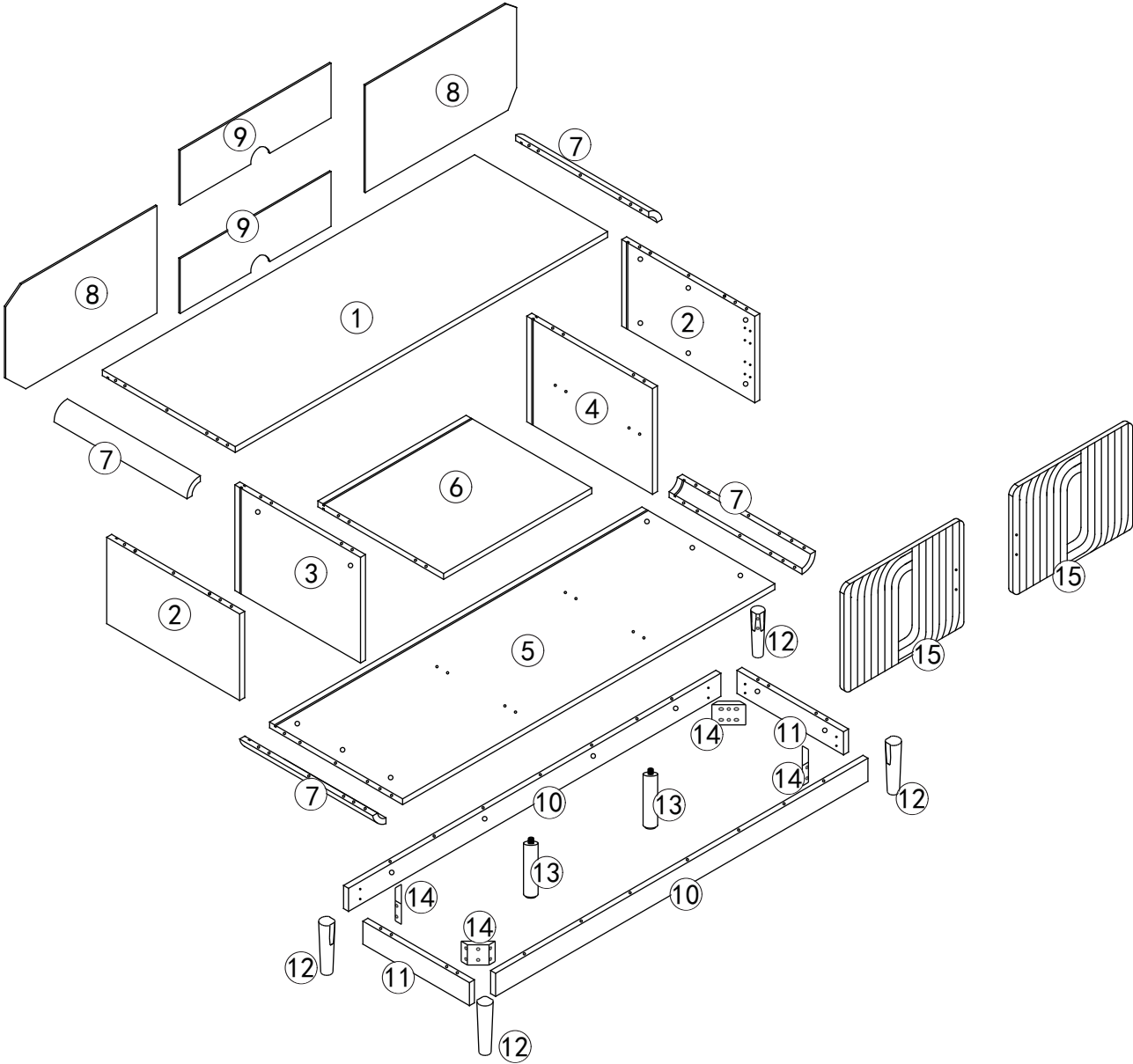
RECYCLING

Please ensure that packaging is disposed of in a safe and environmentally friendly way, and recycle where possible. Please keep your assembly instructions safe to refer back to in the future.

CARE AND MAINTENANCE:

1. Only clean using a damp cloth, do not use bleach or abrasive cleaners as they may damage the finish over time.
2. Do not use a very wet cloth or allow any liquid to contact with the veneer for a long period of time. Wipe any spillage immediately. Absorption can cause wood to warp or finishes to de-laminate.
3. Do not scrub or rub the surface when cleaning.
4. Do not drag the Marnie Tv Unit when moving, lift it off the floor instead.
5. Use a placemat or a coaster when putting hot items (e.g. hot drinks and dishes) on the wood surface.
6. It is not recommended to place the item next to sources of heat such as radiators, fires or directly exposed to sunlight. This may cause the wood to crack, split or fade due to the heat and humidity.
7. Wood will mellow and change colour over time, we recommend that ornaments and items placed on the surface to be moved regularly to prevent uneven mellowing.
8. Regularly check all fixings to ensure none have come loose. Re-tighten if necessary.
9. Avoid sharp items such as a screwdriver or any pointy tools.
10. Dispose of all packaging carefully and responsibly - recycle where possible.

Part List



Parts list




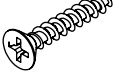
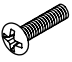

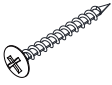

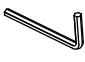


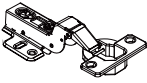

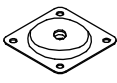



Before you begin building your Marnie Tv Unit, please take a moment to read through the instructions and make sure that you have all the relevant parts listed on the parts check list.

Part Number	Part Description	Quantity	Box NO
①	Top panel	1 pc	Box
②	Side panel	2 pcs	Box
③	Middle left panel	1 pc	Box
④	Middle right panel	1 pc	Box
⑤	Bottom panel	1 pc	Box
⑥	Middle shelf panel	1 pc	Box
⑦	R-corner joining strip	4 pcs	Box
⑧	Back side panel	2 pcs	Box

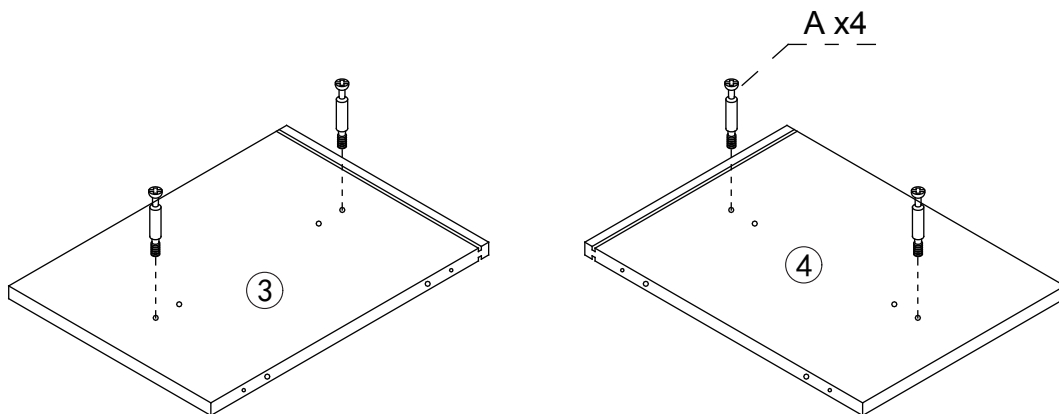
Part Number	Part Description	Quantity	Box NO
⑨	Back middle panel	2 pcs	Box
⑩	Front/Back apron	2 pcs	Box
⑪	Left/Right apron	2 pcs	Box
⑫	Leg	4 pcs	Box
⑬	Middle leg	2 pcs	Box
⑭	Corner block	4 pcs	Box
⑮	Door	2 pcs	Box


Fittings

Please check you have all the fittings listed below with your production Box.

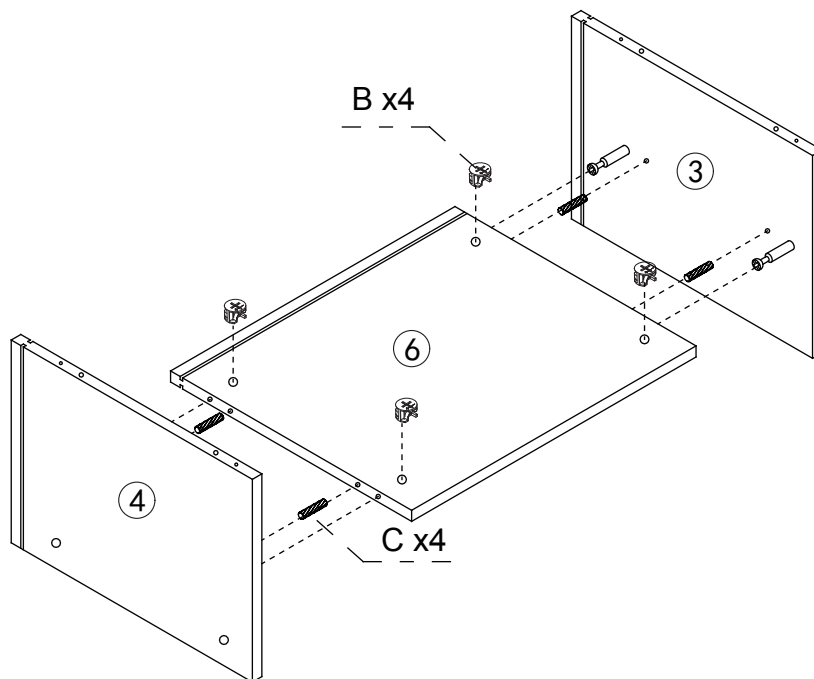
<p>A</p> 	<p>B</p> 	<p>C</p> 	<p>D</p> 	<p>E</p> 
<p>M6x35mm Bolt</p> <p>46 pcs+2pc extra</p>	<p>M15x10mm Cam Lock</p> <p>46 pcs+2pc extra</p>	<p>M8x30mm Dowel</p> <p>52 pcs+2pc extra</p>	<p>M4x35mm Screw</p> <p>4 pcs</p>	<p>M4x20mm Screw</p> <p>4 pcs</p>
<p>F</p> 	<p>G</p> 	<p>H</p> 	<p>I</p> 	<p>J</p> 
<p>Handle</p> <p>2 pcs</p>	<p>M4x25mm Screw</p> <p>16 pcs+1pc extra</p>	<p>M6x55mm Screw</p> <p>8 pcs+1pc extra</p>	<p>Allen key</p> <p>1 pc</p>	<p>Hole stickers</p> <p>22 pcs+2pc extra</p>
<p>K</p> 	<p>L</p> 	<p>M</p> 	<p>N</p> 	<p>O</p> 
<p>Foot pads</p> <p>4 pcs</p>	<p>Hinge</p> <p>4 pcs</p>	<p>M4*14mm Screw</p> <p>24 pcs+2pc extra</p>	<p>Metal</p> <p>2pcs</p>	<p>M4x14mm Screw</p> <p>8 pcs+1pc extra</p>
<p>P</p> 	<p>Q</p> 			
<p>Back plate buckle</p> <p>8 pcs+1pc extra</p>	<p>Adjustable footpad</p> <p>2 pcs</p>			



1.



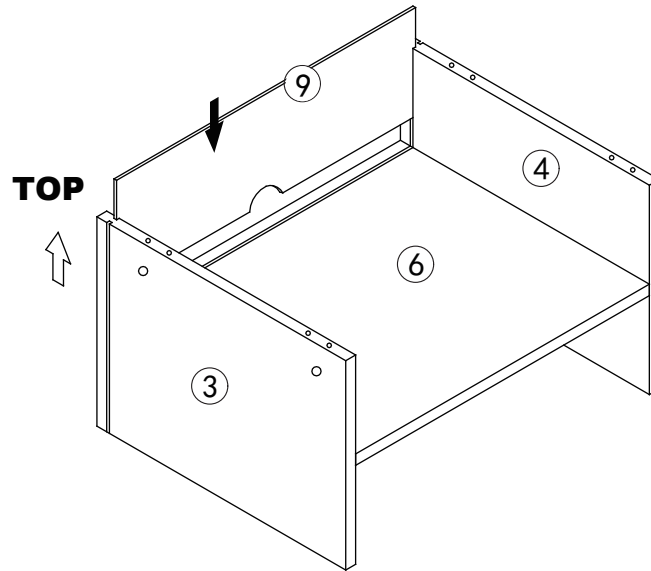
A	
M6x35mm Bolt	
4pcs	

2.

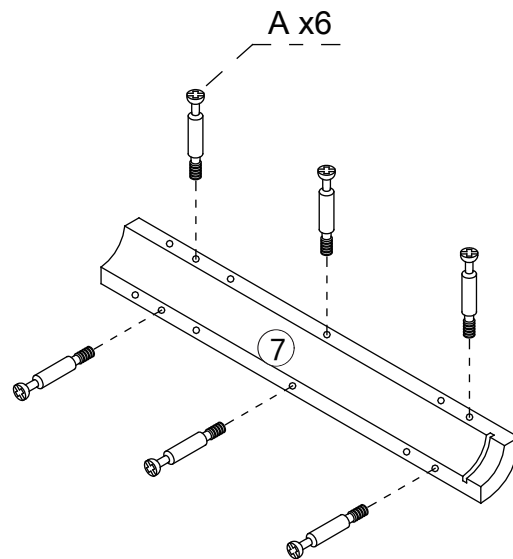


B		C	
M15x10mm Cam Lock		M8x30mm Dowel	
4pcs		4pcs	


3.



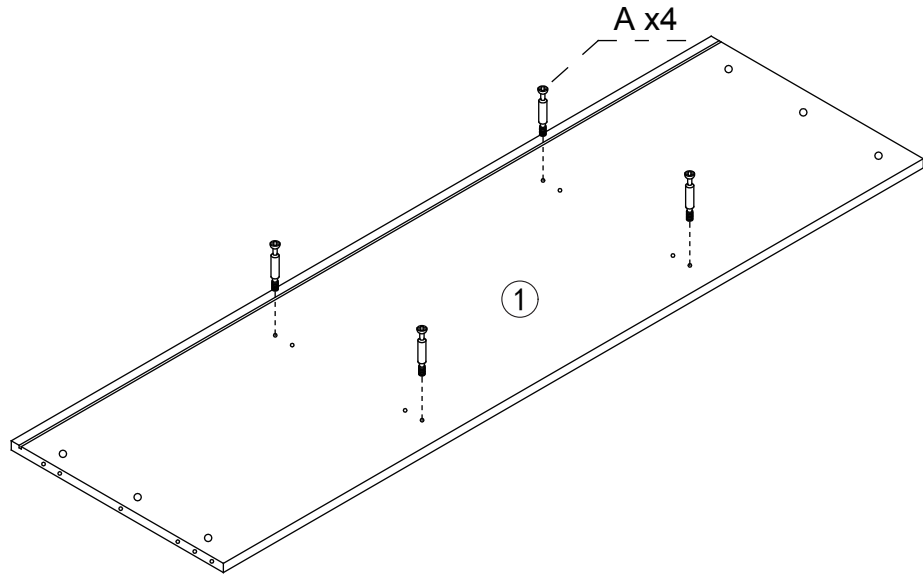
4.




x 4

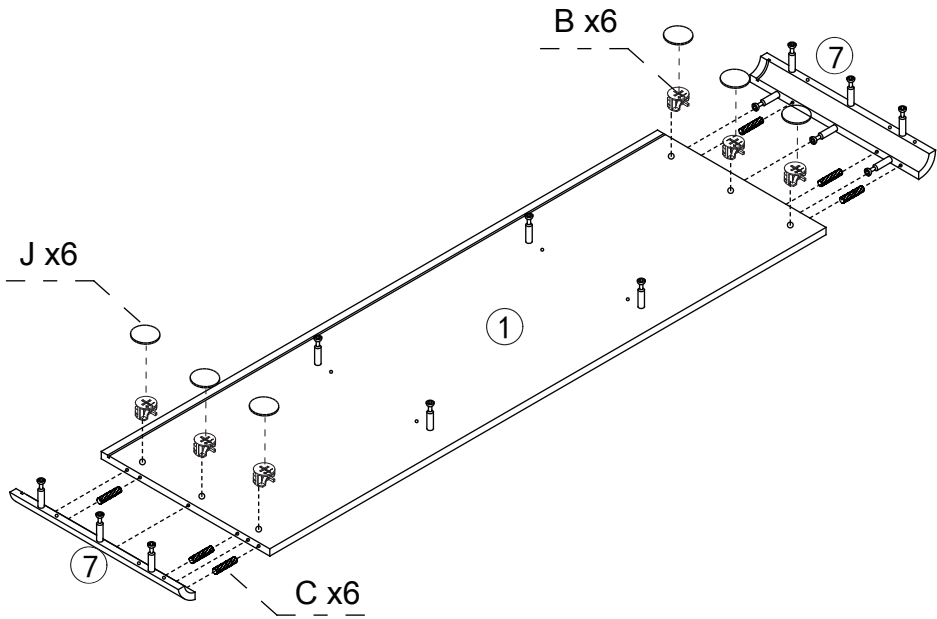
A	
M6x35mm Bolt	
24pcs	


5.





A	
M6x35mm Bolt	
4pcs	

6.

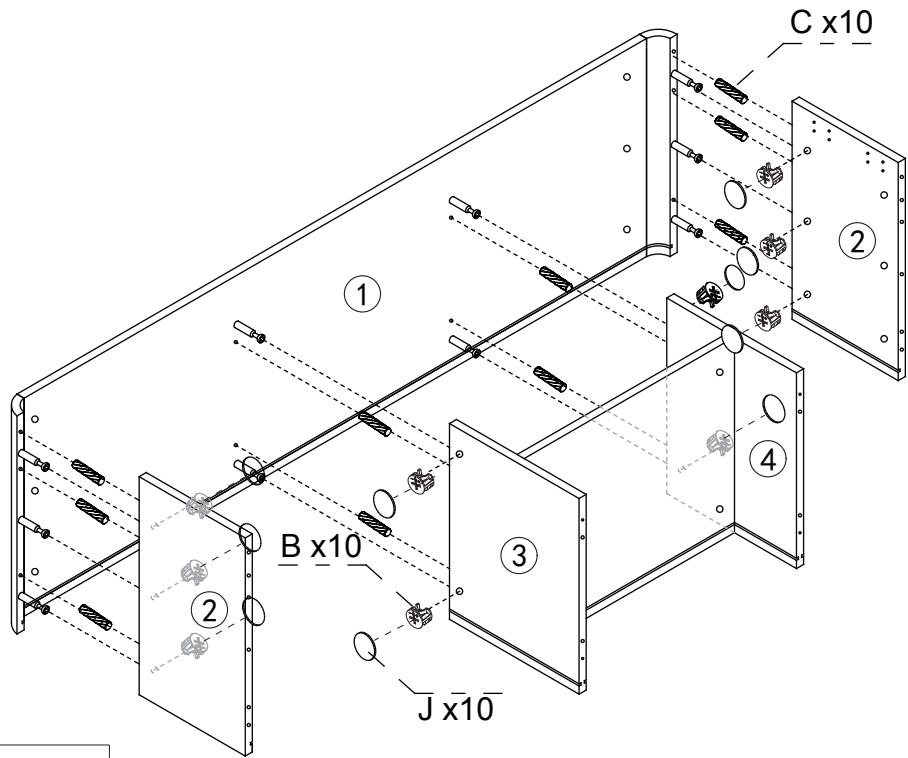





J	
Hole stickers	
6pcs	

B	
M15x10mm Cam Lock	
6pcs	

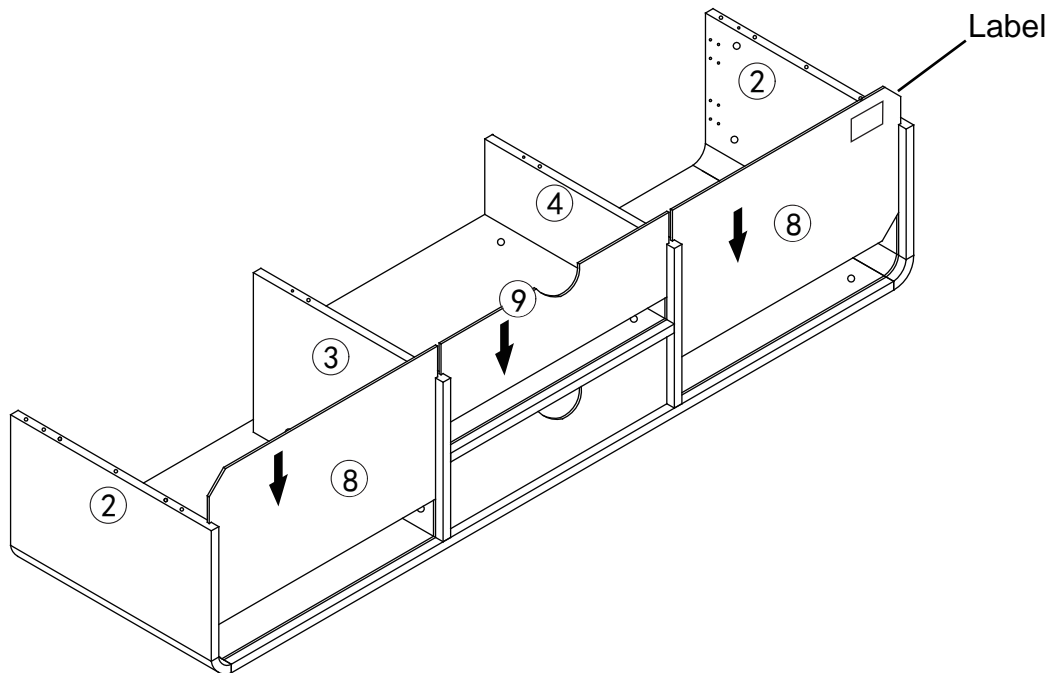
C	
M8x30mm Dowel	
6pcs	

7.

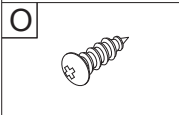
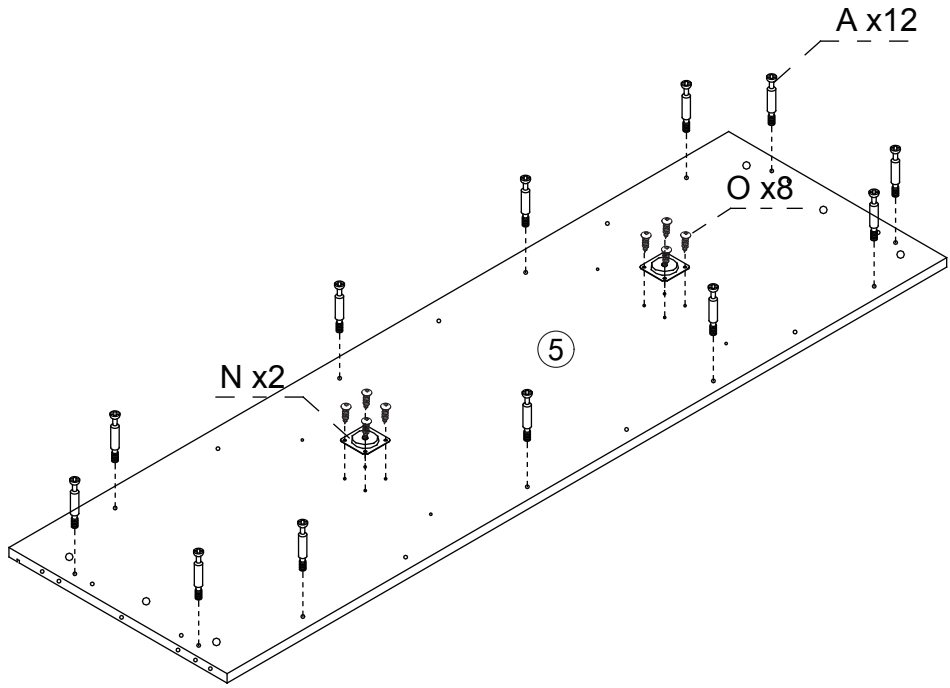


J	
Hole stickers 10pcs	
B	
M15x10mm Cam Lock 10pcs	
C	
M8x30mm Dowel 10pcs	

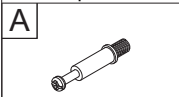
8.



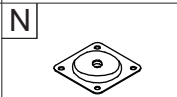
9.



M4x14mm
8pcs

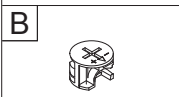
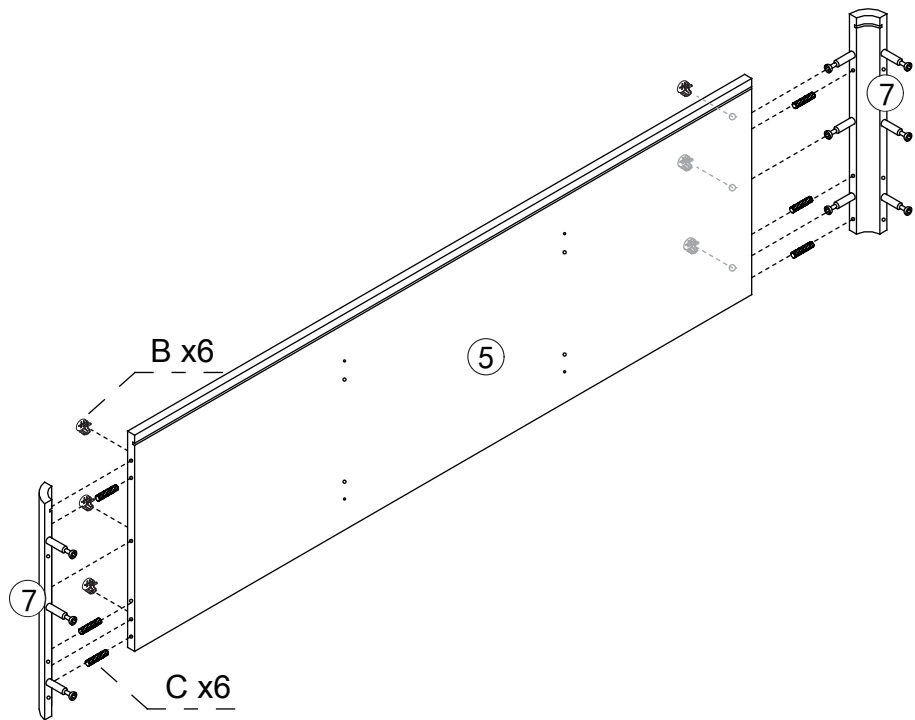


M6x35mm Bolt
12pcs

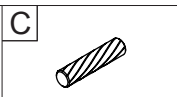


Metal
2pcs

10.

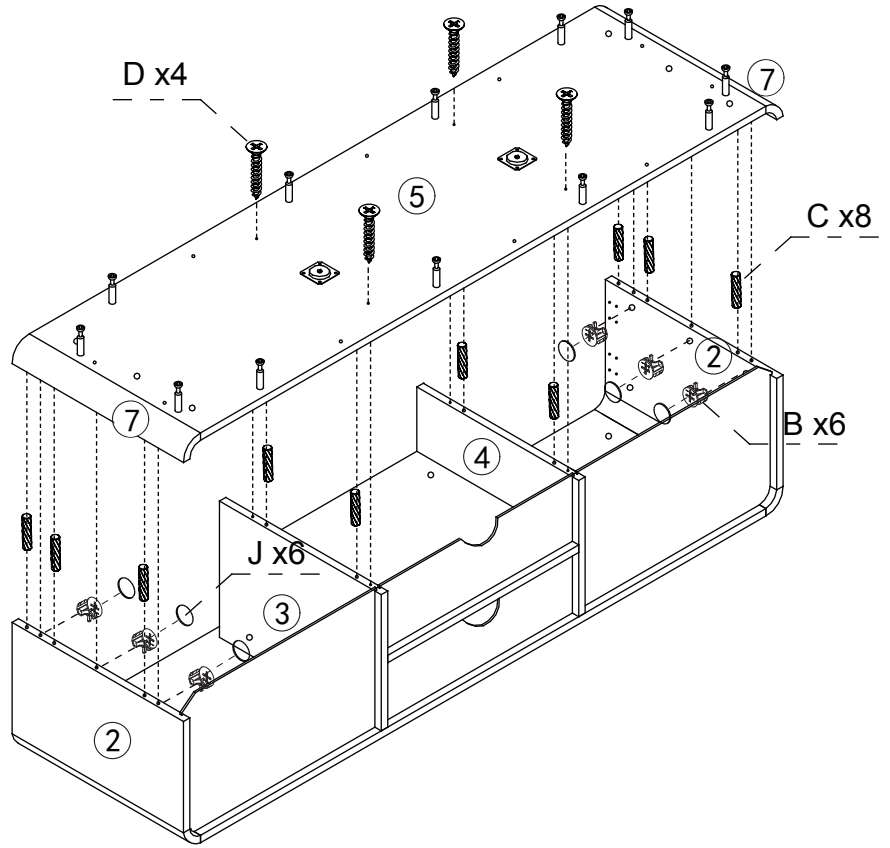


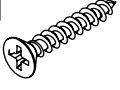



M15x10mm Cam Lock
6pcs



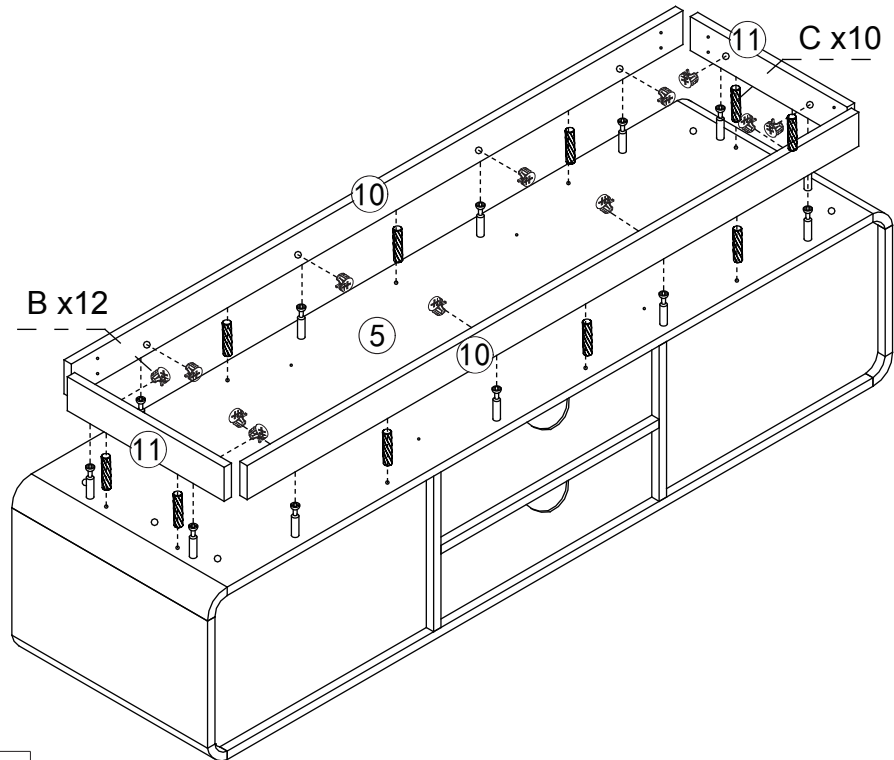
M8x30mm Dowel
6pcs



11.



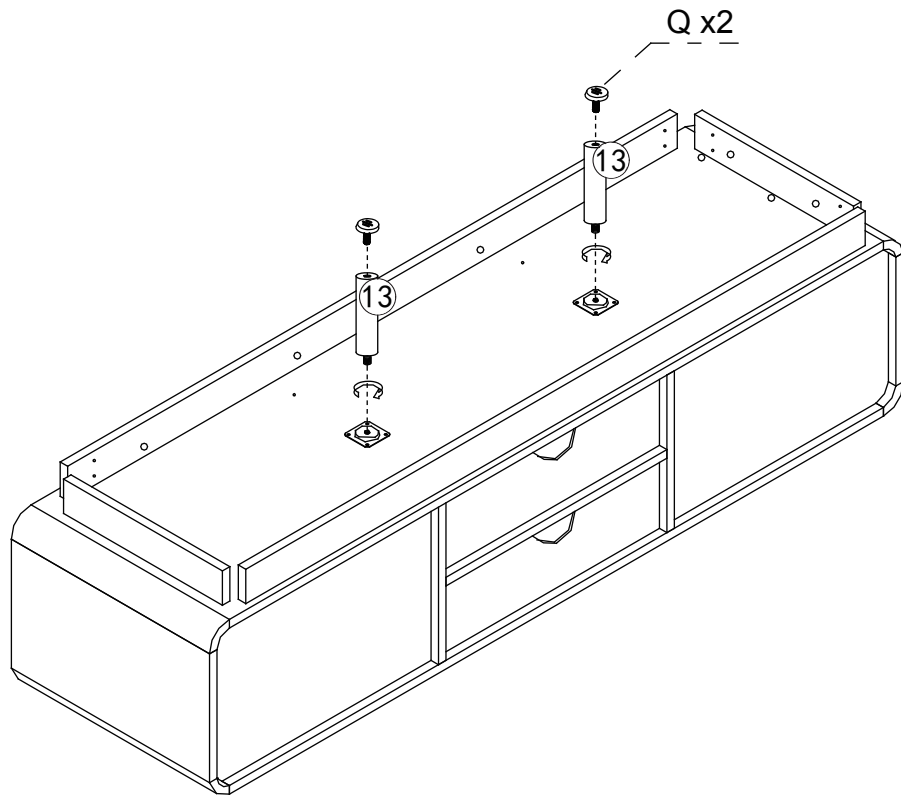
D	J
	
M4x35mm Screw 4pcs	Hole stickers 6pcs
B	C
	
M15x10mm Cam Lock 6pcs	M8x30mm Dowel 10pcs


12.



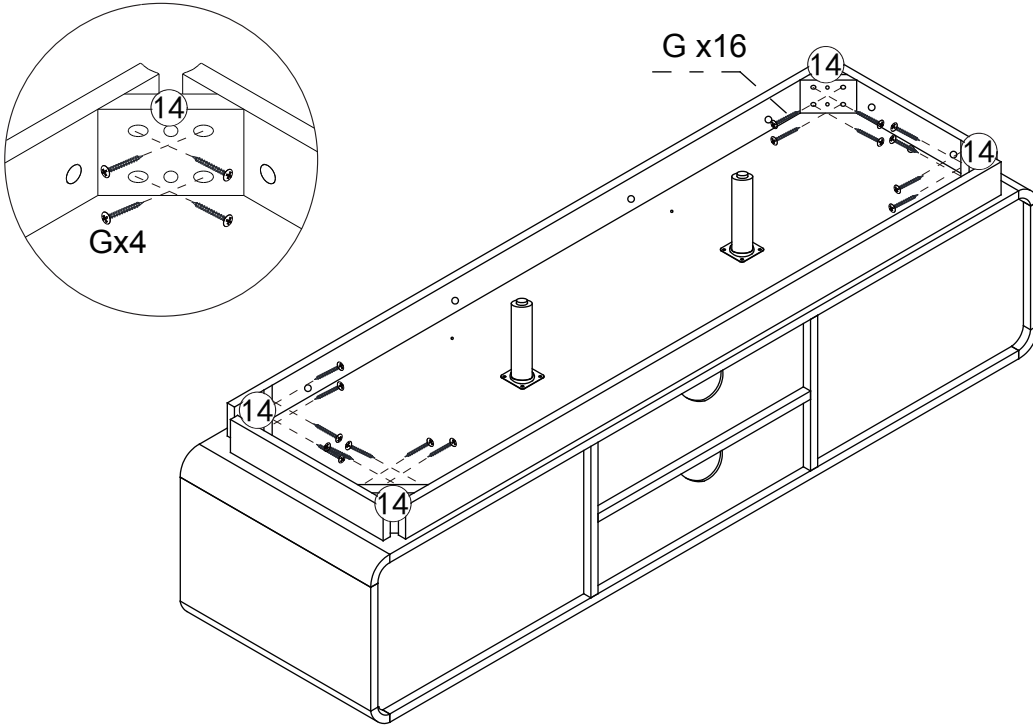
B	C
	
M15x10mm Cam Lock 8pcs	M8x30mm Dowel 10pcs

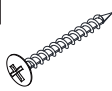
13.



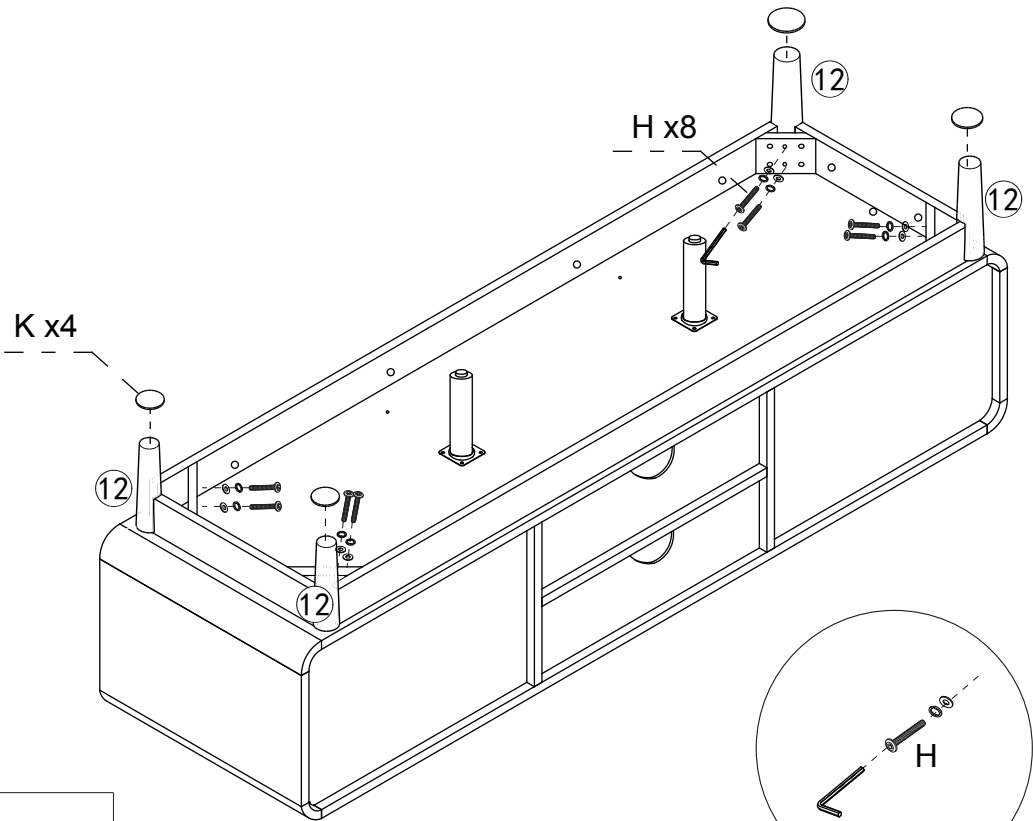
Q

Adjustable feet
2 pcs

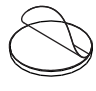
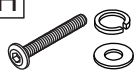
14.



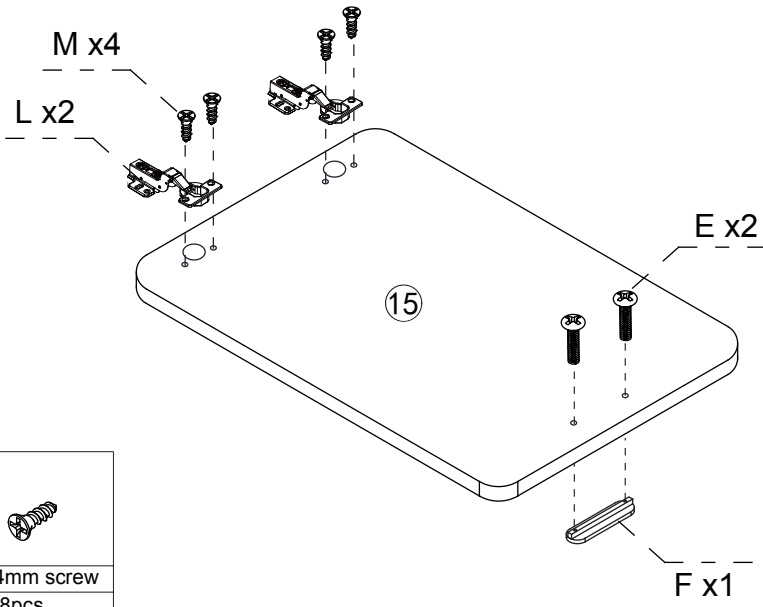
G

M4x25mm Screw
16pcs

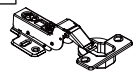


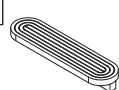
15.



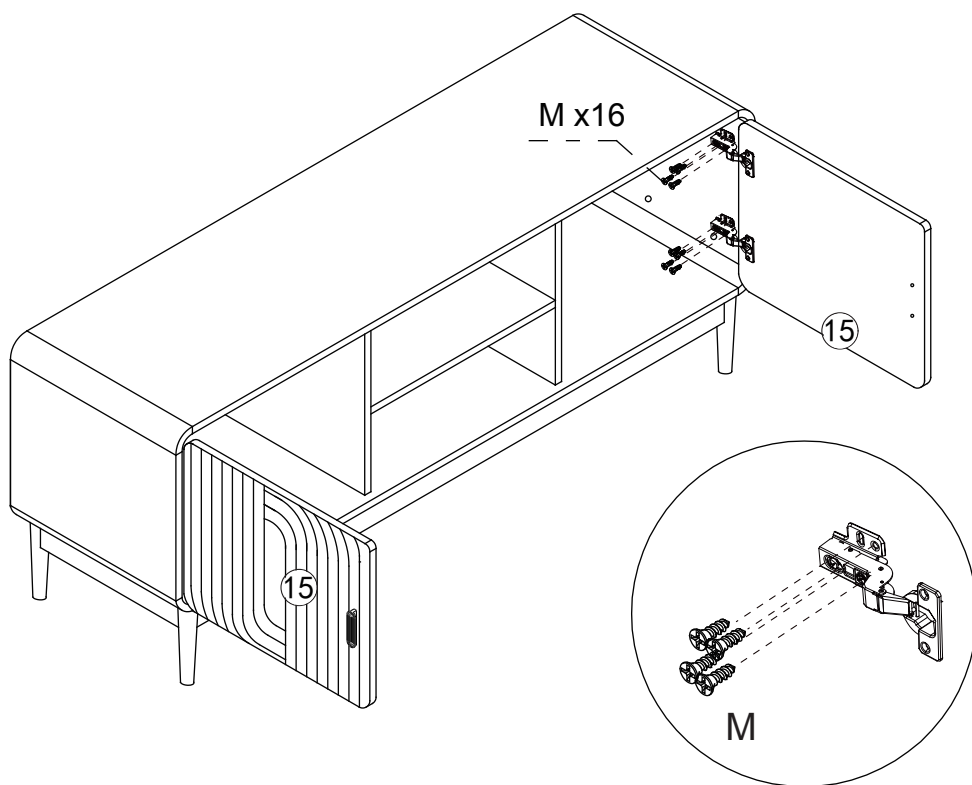
K		
	Foot pads 4pcs	
H		I
	M6x55mm Screw 8pcs	Allen key 1pc


16.



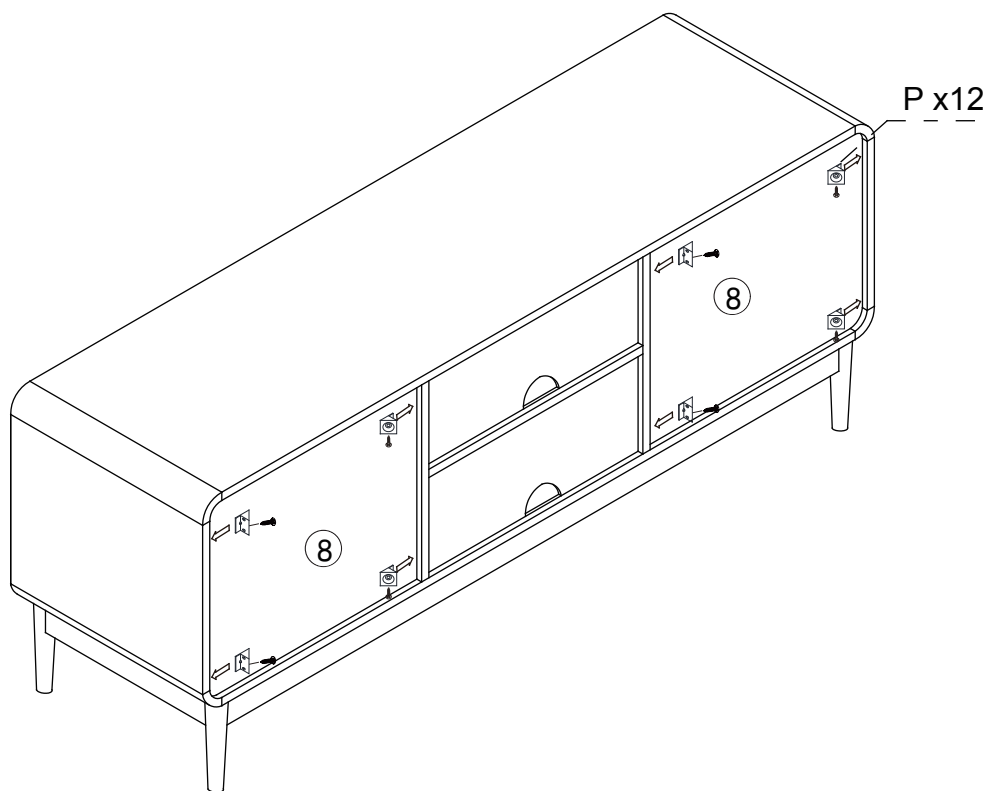
L		M	
	Hinge 4pcs		M4x14mm screw 8pcs
E		F	
	M4x20mm screw 4pcs		Handle 2pcs


17.



M

M4x14mm screw
16pcs

18.



P

Back plate buckle
8pcs