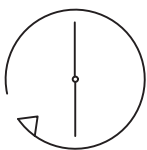
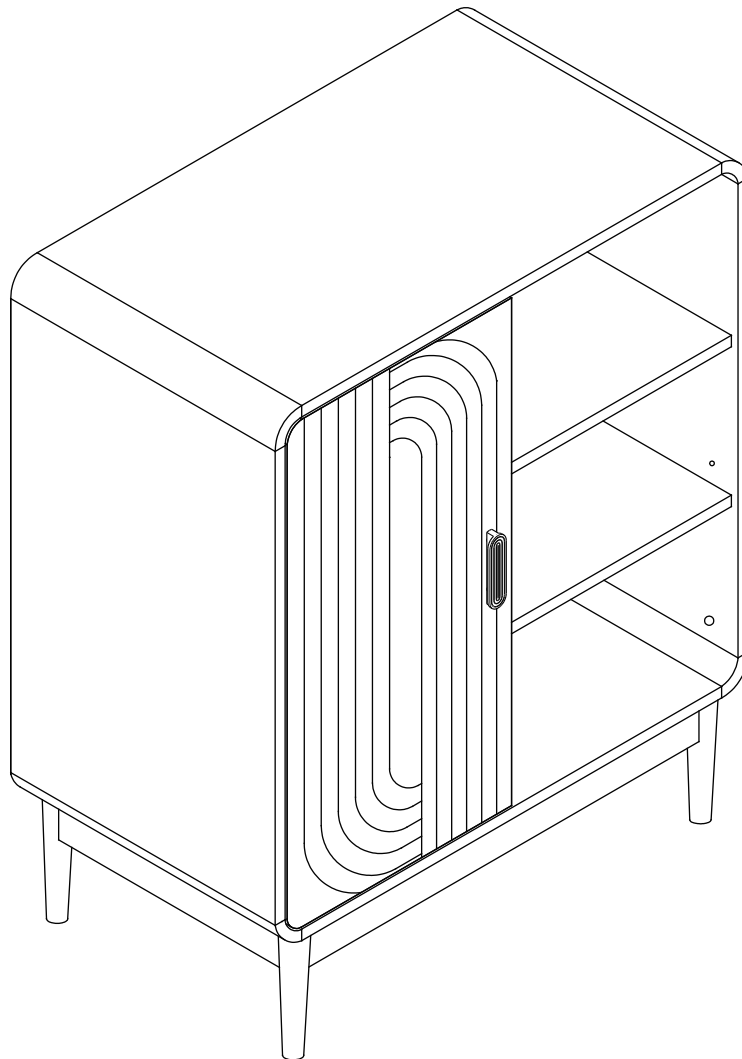
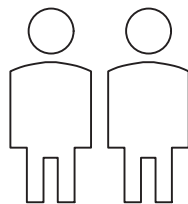


Marnie Small Bookcase



Up to 120 minutes
assembly time



Two person
assembly



Electric screwdriver
prohibited

This product is intended for domestic use only, not for commercial purposes.

IMPORTANT

ASSEMBLY TIP

Before you begin, it's best to identify all of the parts and fittings to build your Marnie Small Bookcase frame. We advise laying these out on the floor to check you have everything, and to familiarise yourself with all of the parts and fittings before building.

TOP TIP

We recommend that you assemble the Marnie Small Bookcase in the room you'd like it to be located. This will help prevent any risk of damage to the frame whilst moving it.

SAFETY AND CARE

It's important to ensure children and animals are kept away from the assembly area, as there are small components used in this product which could present a choking hazard. All plastic and wrapping materials should also be kept away from children and animals to prevent any risk of suffocation.

HELP AND SUPPORT

Please contact our customer service team on 0113 519 0311 if you have any questions or issues with your purchase.

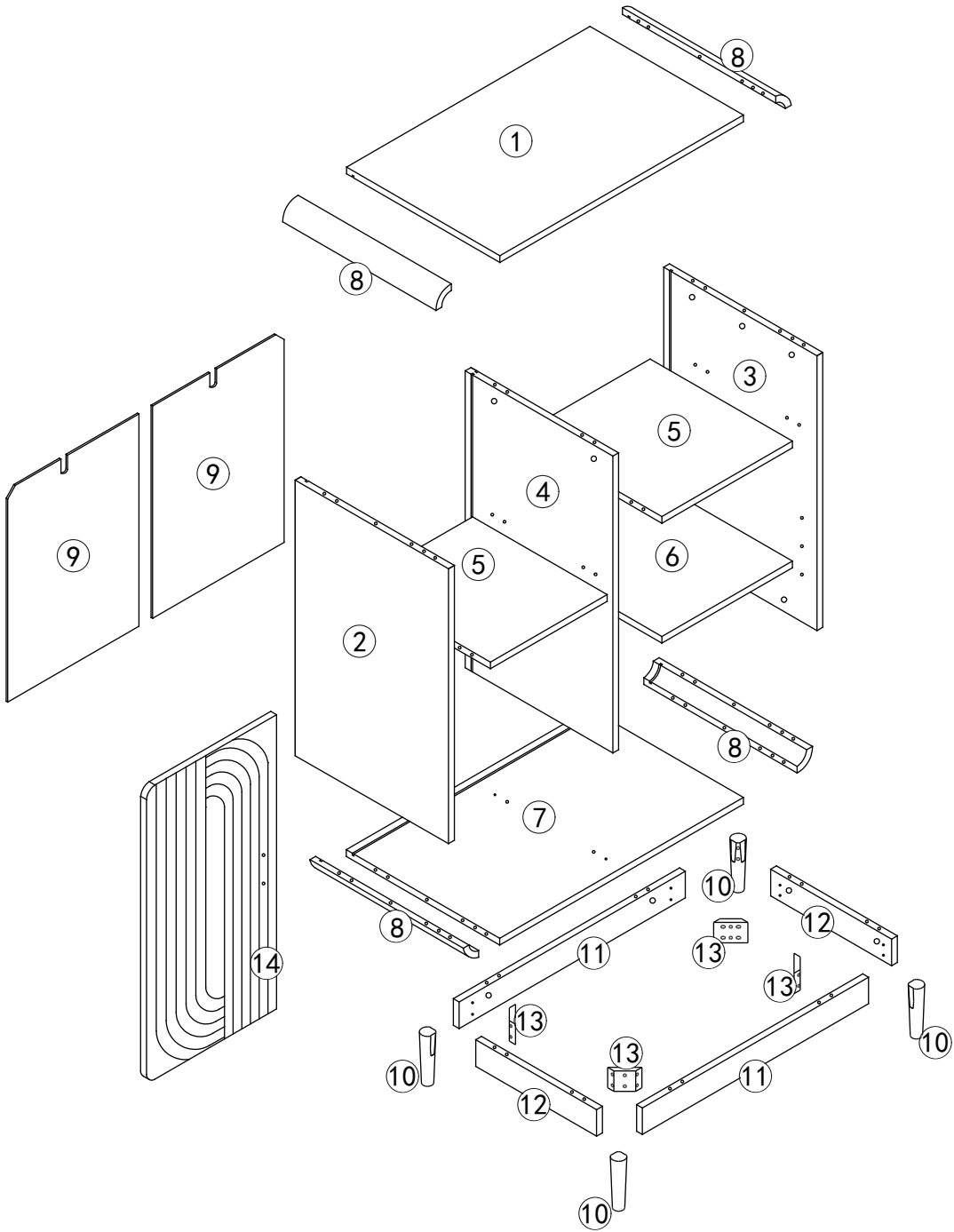
RECYCLING

Please ensure that packaging is disposed of in a safe and environmentally friendly way, and recycle where possible. Please keep your assembly instructions safe to refer back to in the future.

CARE AND MAINTENANCE:

1. Only clean using a damp cloth, do not use bleach or abrasive cleaners as they may damage the finish over time.
2. Do not use a very wet cloth or allow any liquid to contact with the veneer for a long period of time. Wipe any spillage immediately. Absorption can cause wood to warp or finishes to de-laminate.
3. Do not scrub or rub the surface when cleaning.
4. Do not drag the Marnie Small Bookcase when moving, lift it off the floor instead.
5. Use a placemat or a coaster when putting hot items (e.g. hot drinks and dishes) on the wood surface.
6. It is not recommended to place the item next to sources of heat such as radiators, fires or directly exposed to sunlight. This may cause the wood to crack, split or fade due to the heat and humidity.
7. Wood will mellow and change colour over time, we recommend that ornaments and items placed on the surface to be moved regularly to prevent uneven mellowing.
8. Regularly check all fixings to ensure none have come loose. Re-tighten if necessary.
9. Avoid sharp items such as a screwdriver or any pointy tools.
10. Dispose of all packaging carefully and responsibly - recycle where possible.

Part List



Parts list




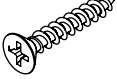
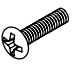

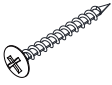





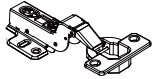

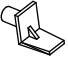

Before you begin building your Marnie Small Bookcase, please take a moment to read through the instructions and make sure that you have all the relevant parts listed on the parts check list.

Part Number	Part Description	Quantity	Box NO
①	Top panel	1 pc	Box
②	Left side panel	1 pc	Box
③	Right side panel	1 pc	Box
④	Middle panel	1 pc	Box
⑤	Fixed shelf	2 pcs	Box
⑥	Adjustable shelf	1 pc	Box
⑦	Bottom panel	1 pc	Box
⑧	R-corner joining strip	4 pcs	Box

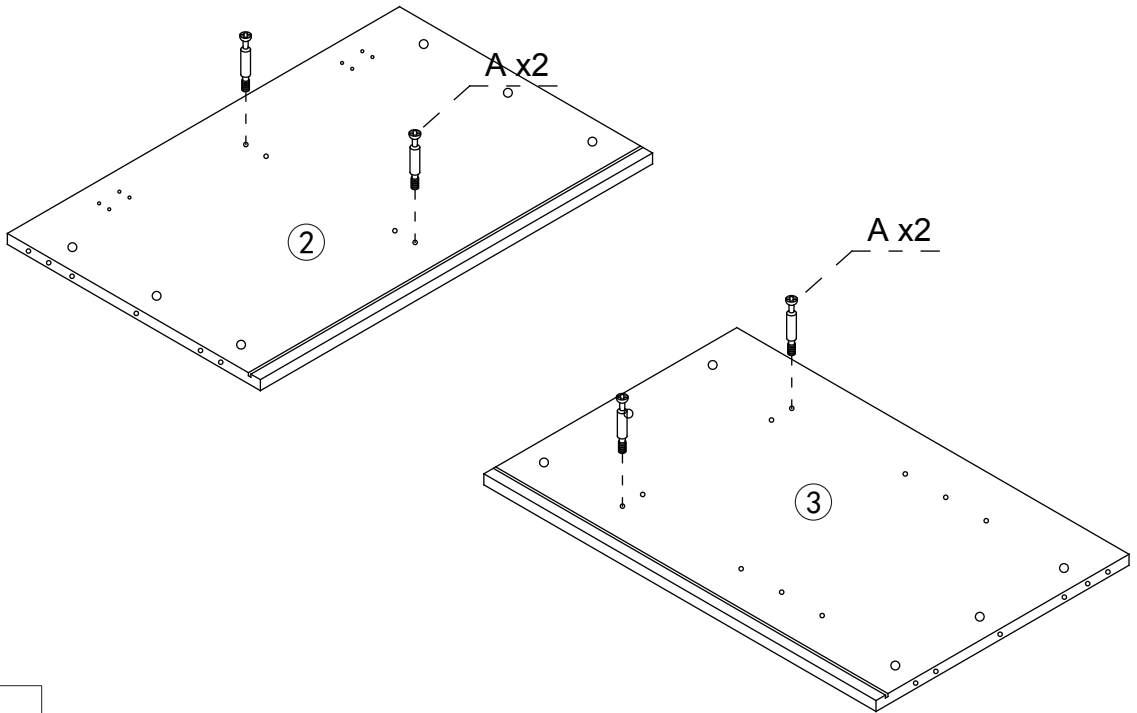
Part Number	Part Description	Quantity	Box NO
⑨	Back panel	2 pcs	Box
⑩	Leg	4 pcs	Box
⑪	Front/Back apron	2 pcs	Box
⑫	Left/Right apron	2 pcs	Box
⑬	Corner block	4 pcs	Box
⑭	Door panel	1 pc	Box


Fittings

Please check you have all the fittings listed below with your product in Box1.

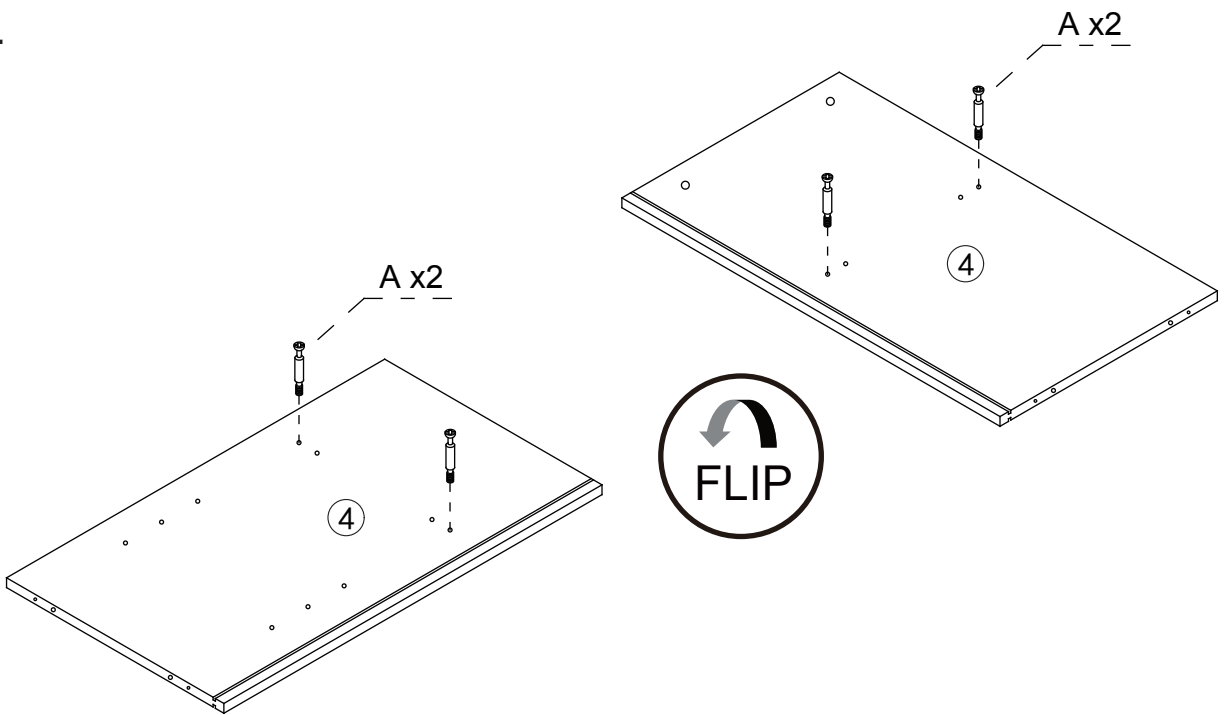
<p>A</p> 	<p>B</p> 	<p>C</p> 	<p>D</p> 	<p>E</p> 
<p>M6x35mm Bolt</p> <p>42 pcs+2pc extra</p>	<p>M15x10mm Cam Lock</p> <p>42 pcs+2pc extra</p>	<p>M8x30mm Dowel</p> <p>44 pcs+2pc extra</p>	<p>M4x35mm Screw</p> <p>2 pcs</p>	<p>M4x20mm Screw</p> <p>2 pcs</p>
<p>F</p> 	<p>G</p> 	<p>H</p> 	<p>I</p> 	<p>J</p> 
<p>Handle</p> <p>1 pc</p>	<p>M4x25mm Screw</p> <p>16 pcs+1pc extra</p>	<p>M6x55mm Screw</p> <p>8 pcs+1pc extra</p>	<p>Allen key</p> <p>1 pc</p>	<p>Back plate buckle</p> <p>12 pcs+1pc extra</p>
<p>K</p> 	<p>L</p> 	<p>M</p> 	<p>N</p> 	<p>O</p> 
<p>Foot pads</p> <p>4 pcs</p>	<p>Hole stickers</p> <p>20 pcs+1pc extra</p>	<p>Hinge</p> <p>2 pcs</p>	<p>M4x14mm Screw</p> <p>12 pcs+1pc extra</p>	<p>Shelf support</p> <p>4 pcs</p>
<p>P</p> 				
<p>Wall anchor kit</p> <p>2 pcs</p>				


1.



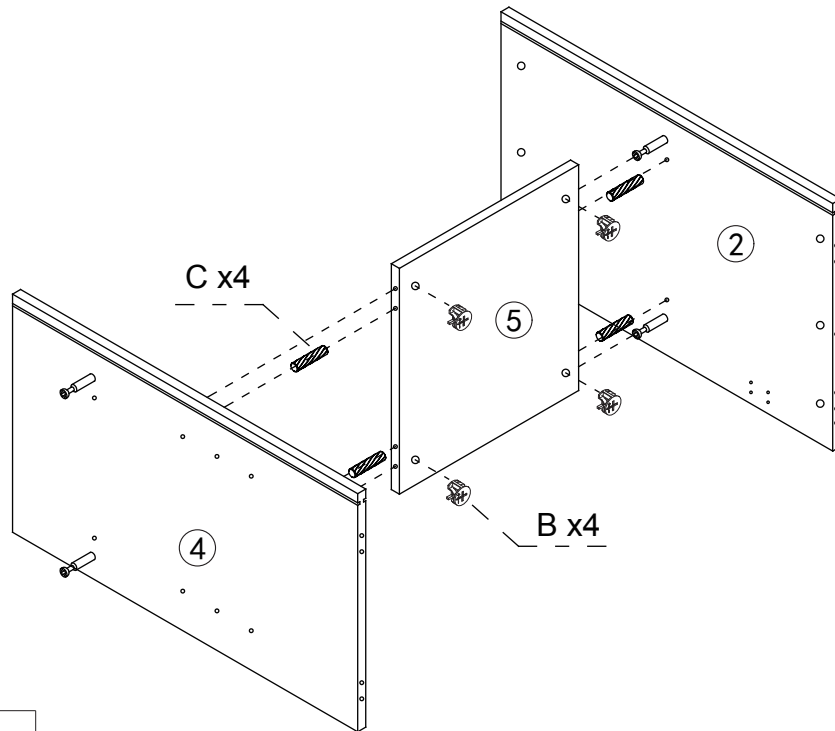
A	
M6x35mm Bolt	
4pcs	



2.



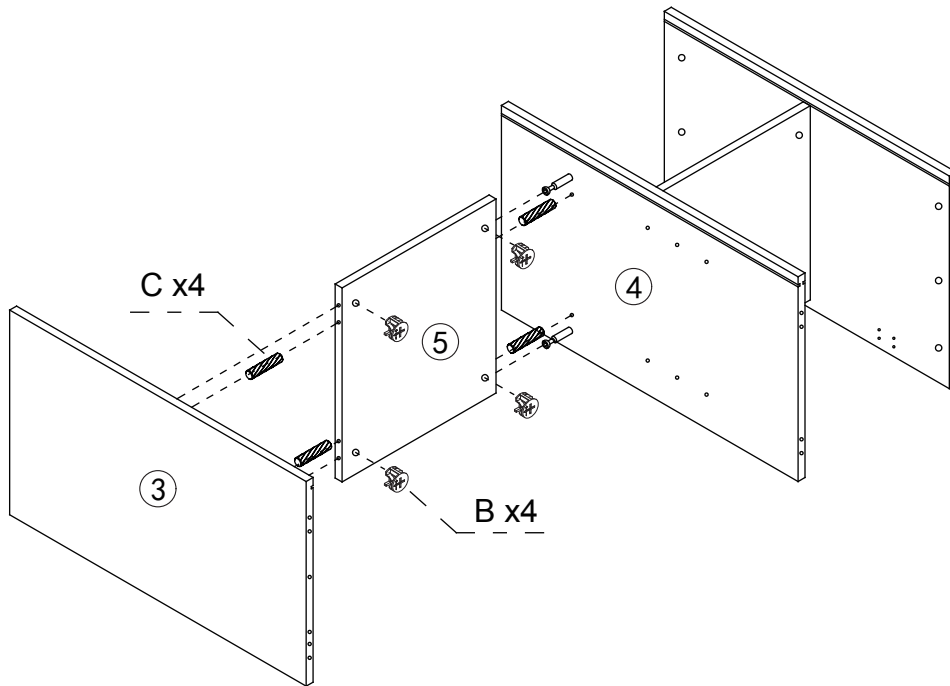
A	
M6x35mm Bolt	
4pcs	



3.



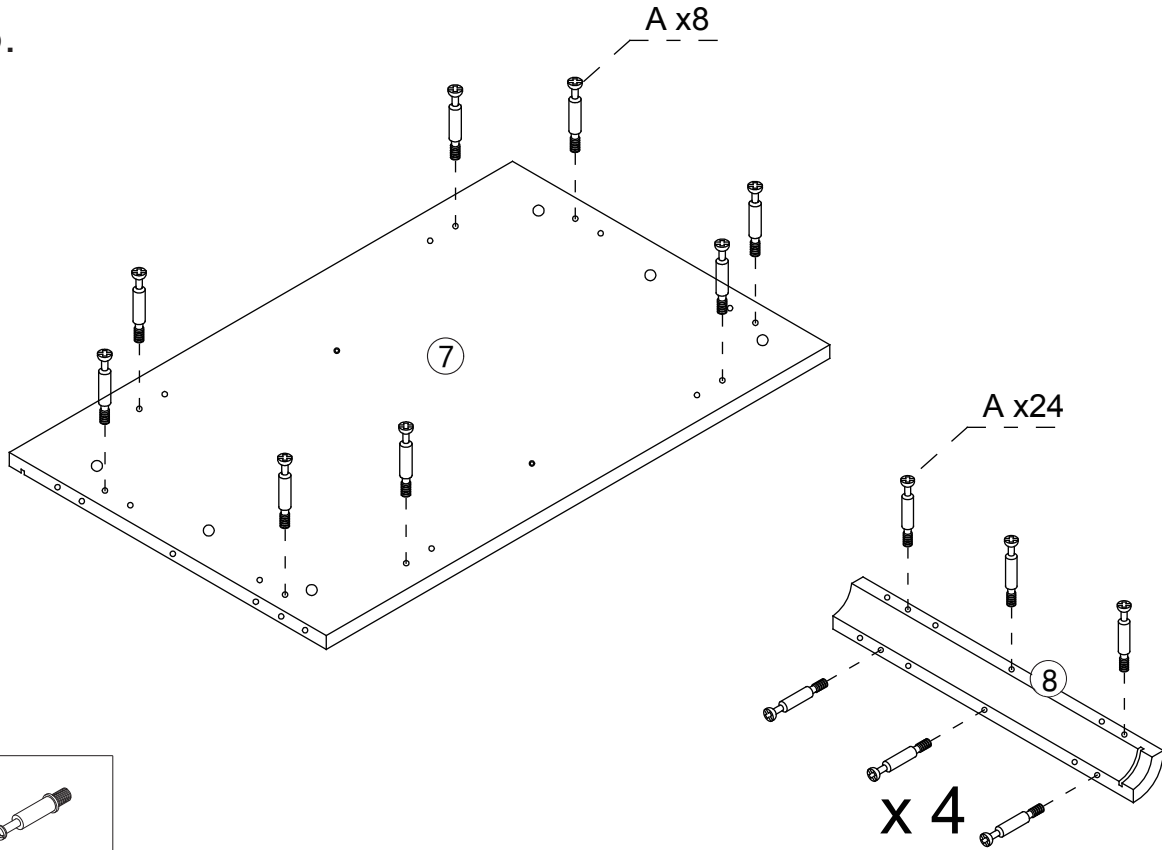
B 	C 
M15x10mm Cam Lock 4pcs	M8x30mm Dowel 4pcs


4.



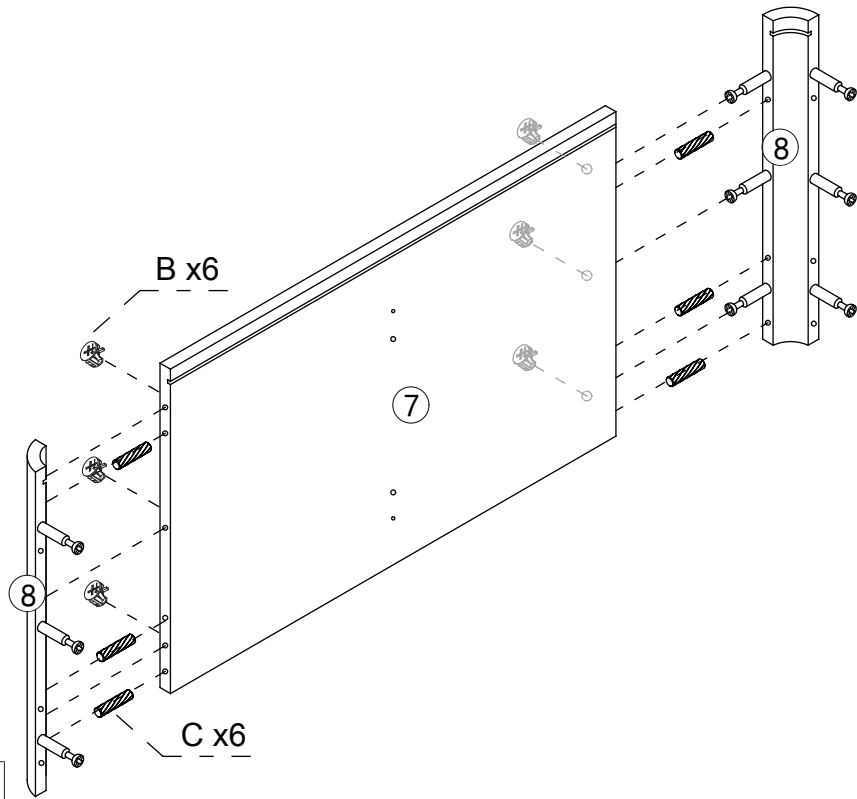
B 	C 
M15x10mm Cam Lock 4pcs	M8x30mm Dowel 4pcs



5.



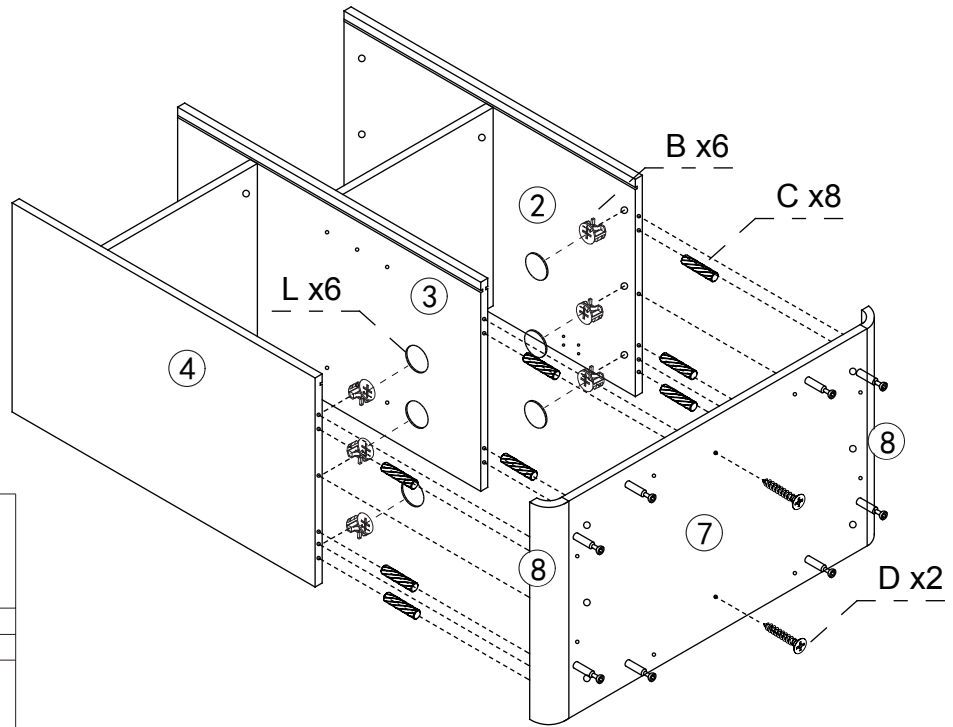
A	
M6x35mm Bolt	
32pcs	

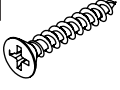



6.



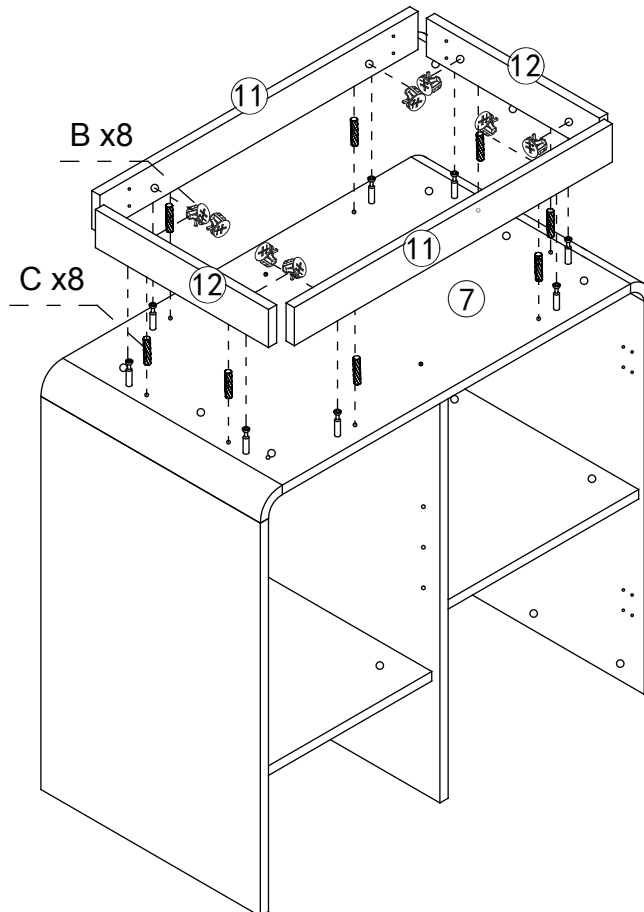
B		C	
M15x10mm Cam Lock		M8x30mm Dowel	
6pcs		6pcs	



7.



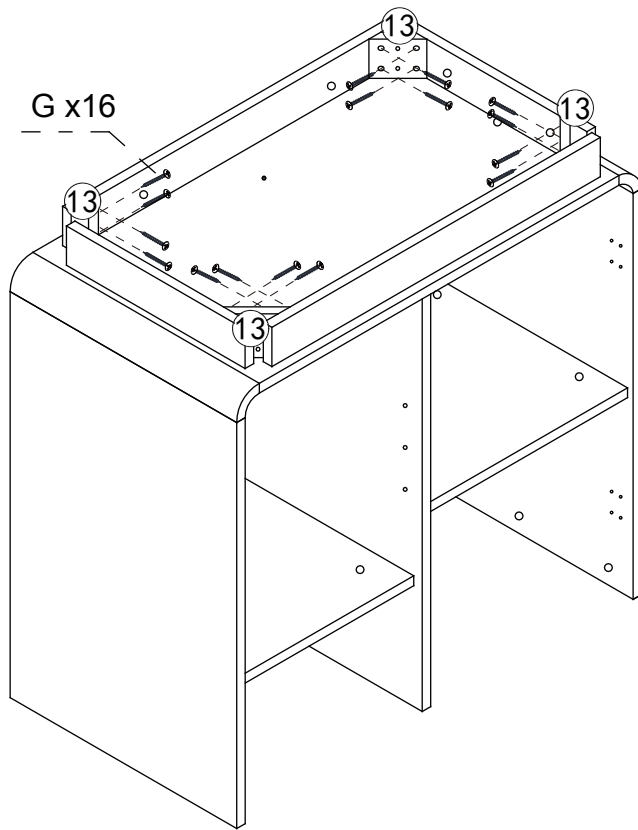
D		L	
	M4x35mm Screw 2pcs		Hole stickers 6pcs
B		C	
	M15x10mm Cam Lock 6pcs		M8x30mm Dowel 8pcs


8.



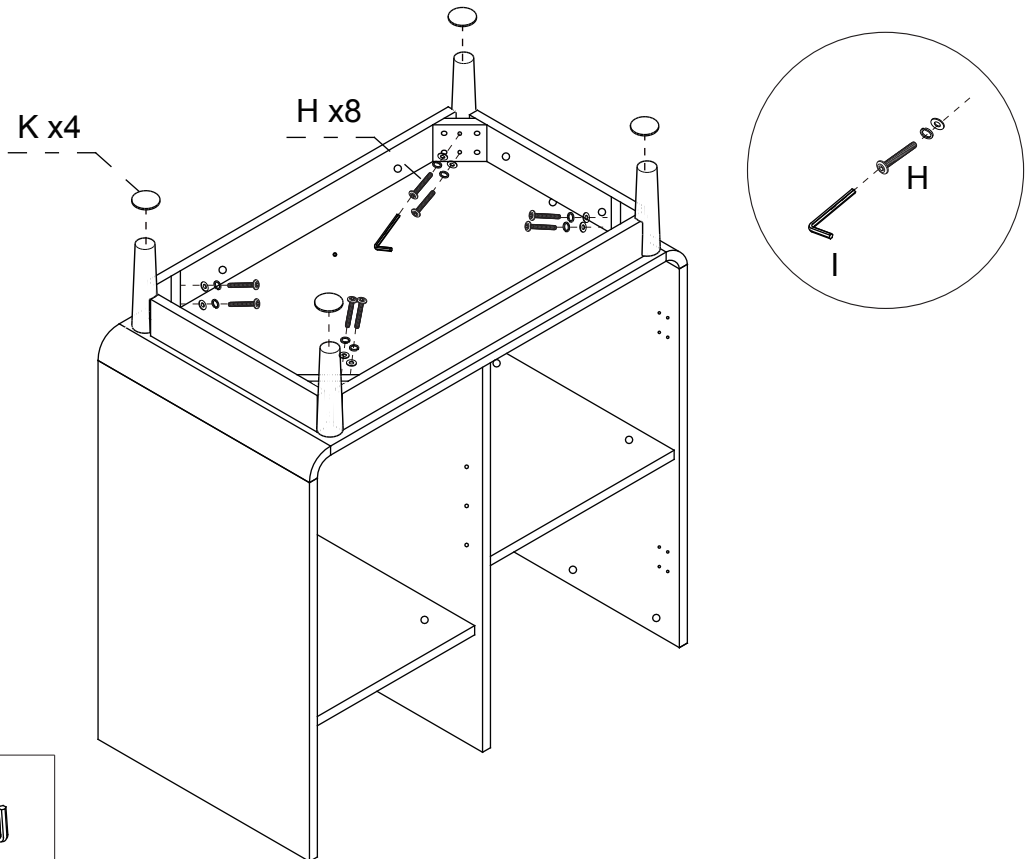
B		C	
	M15x10mm Cam Lock 8pcs		M8x30mm Dowel 8pcs


9.

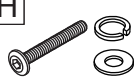



G	
M4x25mm Screw	
16pcs	

10.

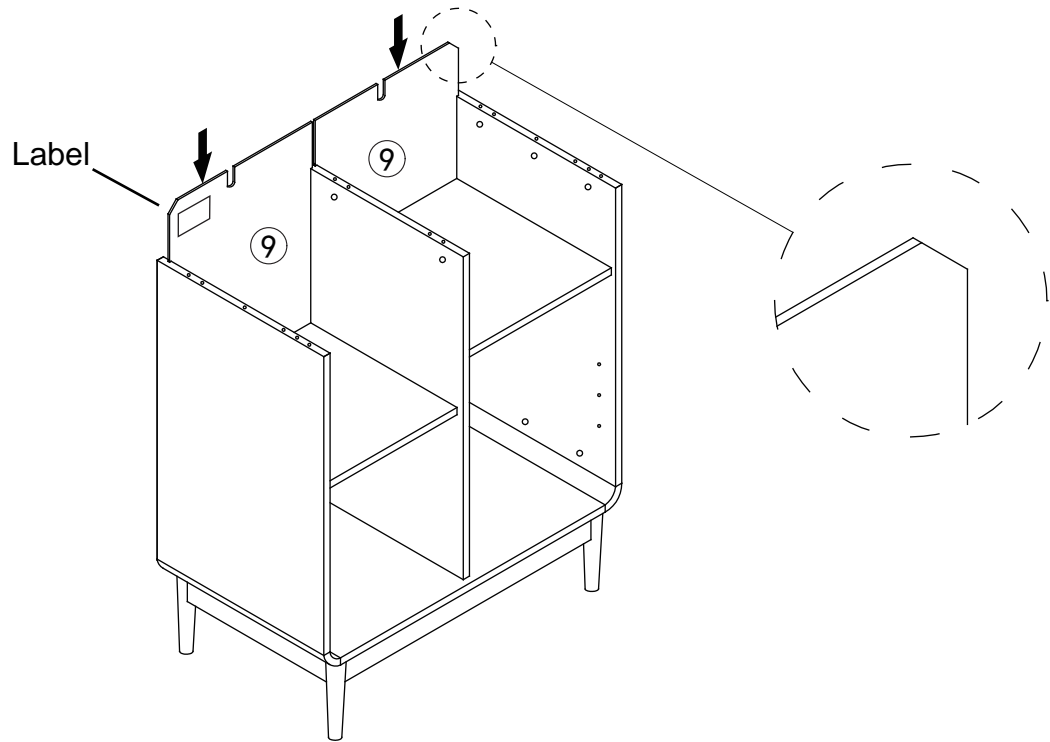


K	
Foot pads	
4pcs	

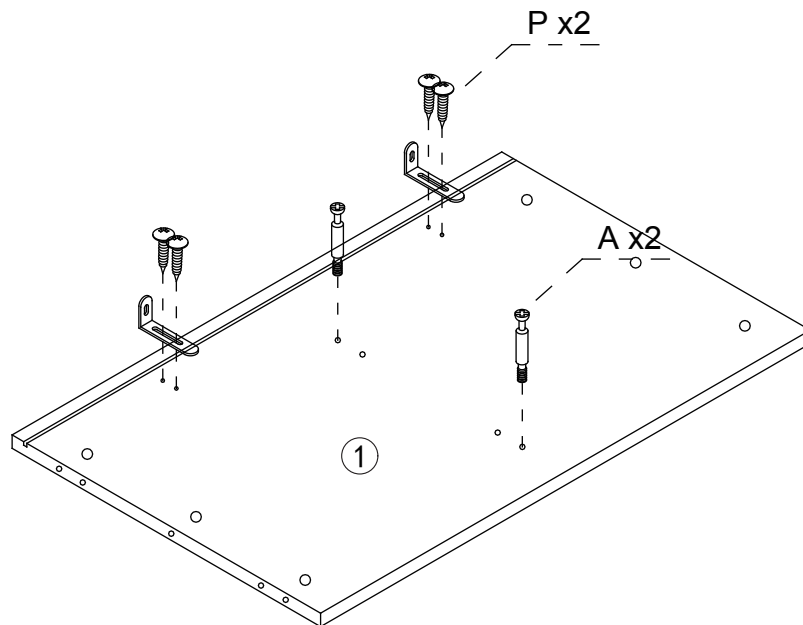
H	
M6x55mm Screw	
8pcs	



I	
Allen key	
1pc	

11.

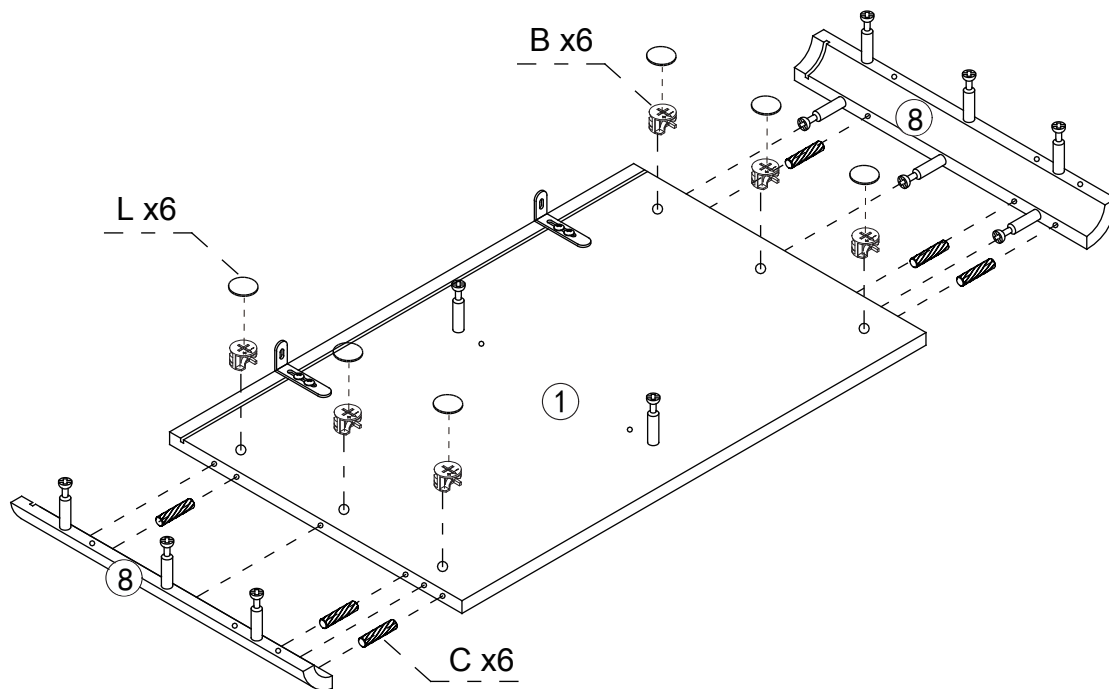





12.



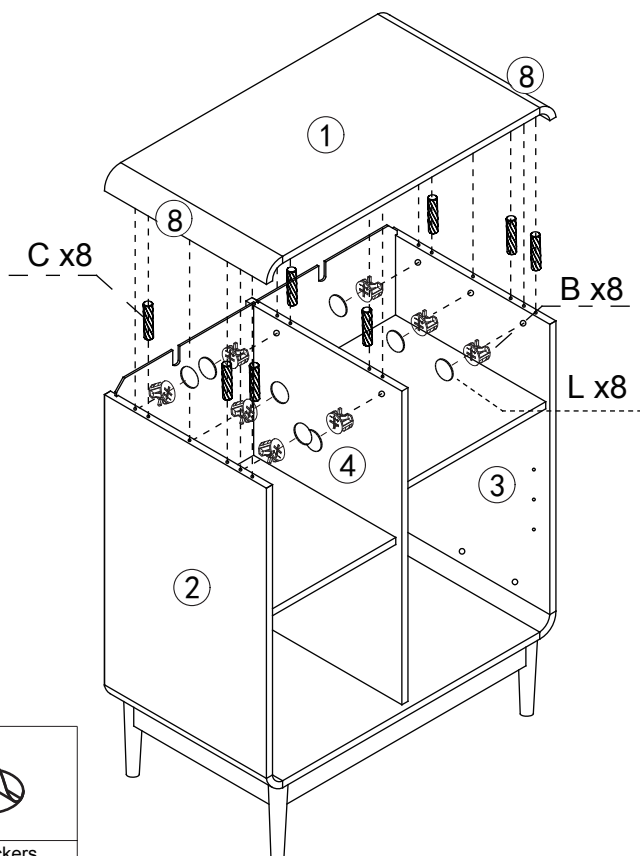
A 	P 
M6x35mm Bolt 2pcs	Wall anchor kit 2pcs




13.



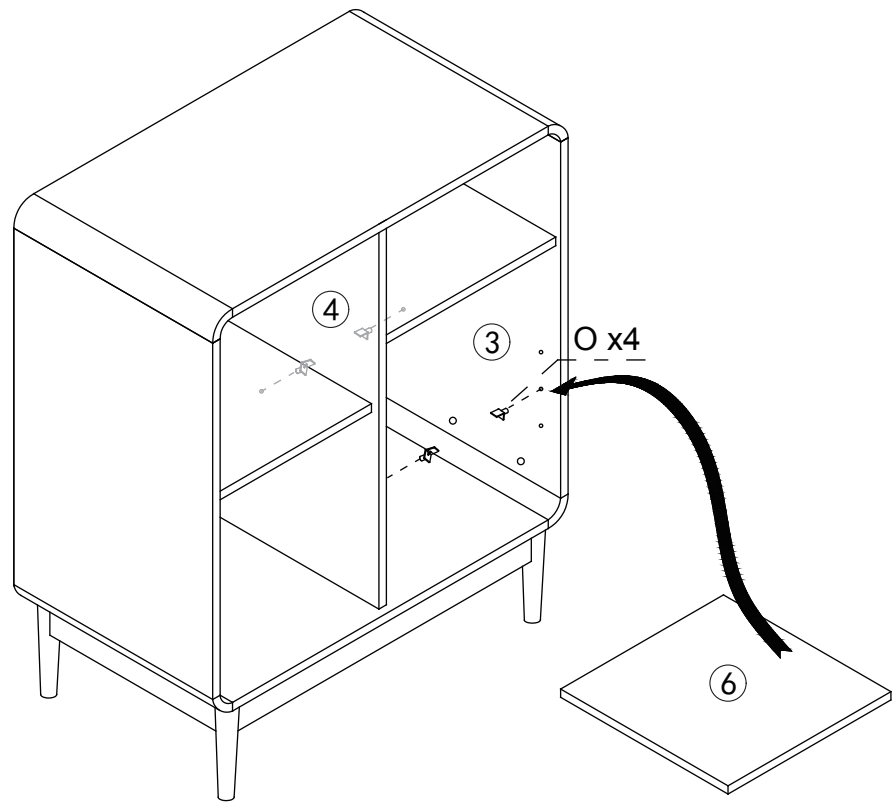
B	C	L
		
M15x10mm Cam Lock 6pcs	M8x30mm Dowel 6pcs	Hole stickers 6pcs


14.



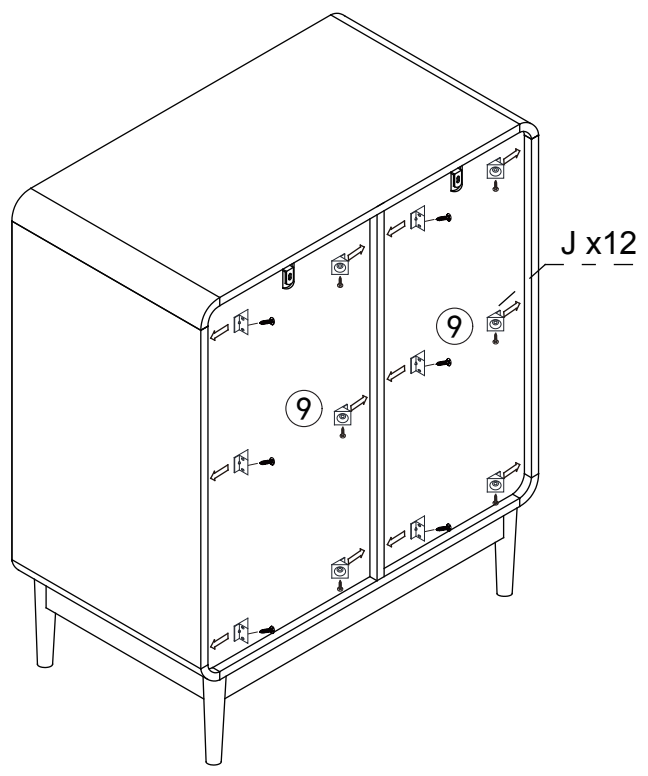
B	C	L
		
M15x10mm Cam Lock 8pcs	M8x30mm Dowel 8pcs	Hole stickers 8pcs


15.



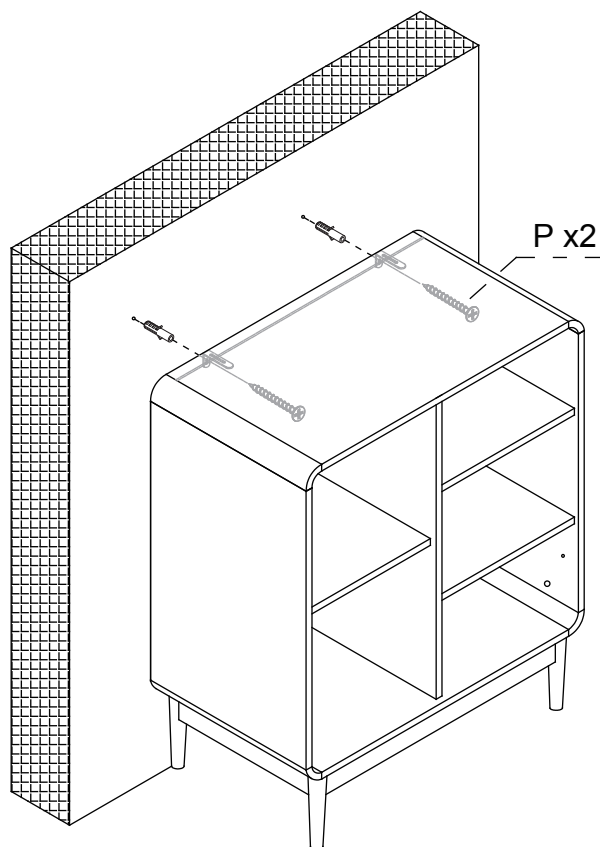
O

Shelf support
4pcs

16.



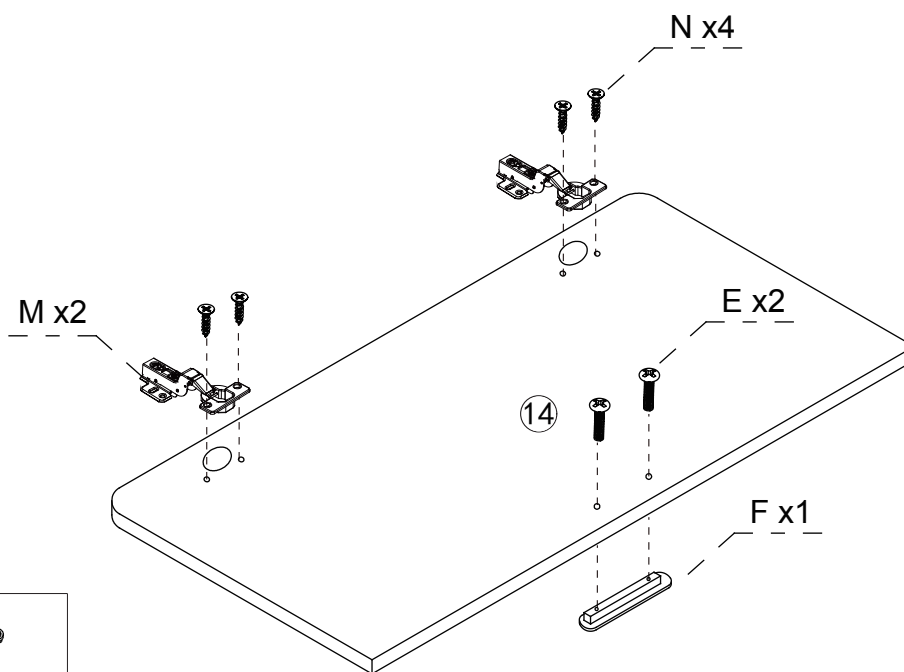
J

Back plate buckle
12pcs

17.



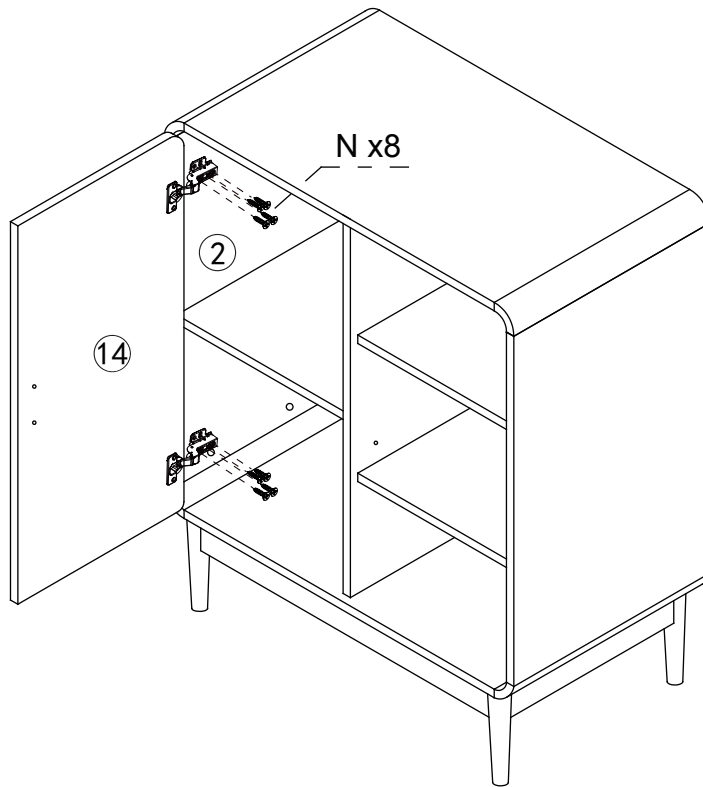
P	
Wall anchor kit	
2pcs	

18.



E		F	
M4x20mm screw		Handle	
2pcs		1pc	
M		N	
Hinge		M4x14mm Screw	
2pcs		4pcs	

19.



N



M4x14mm Screw
8pcs

20.

