

DUSK.COM

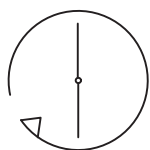
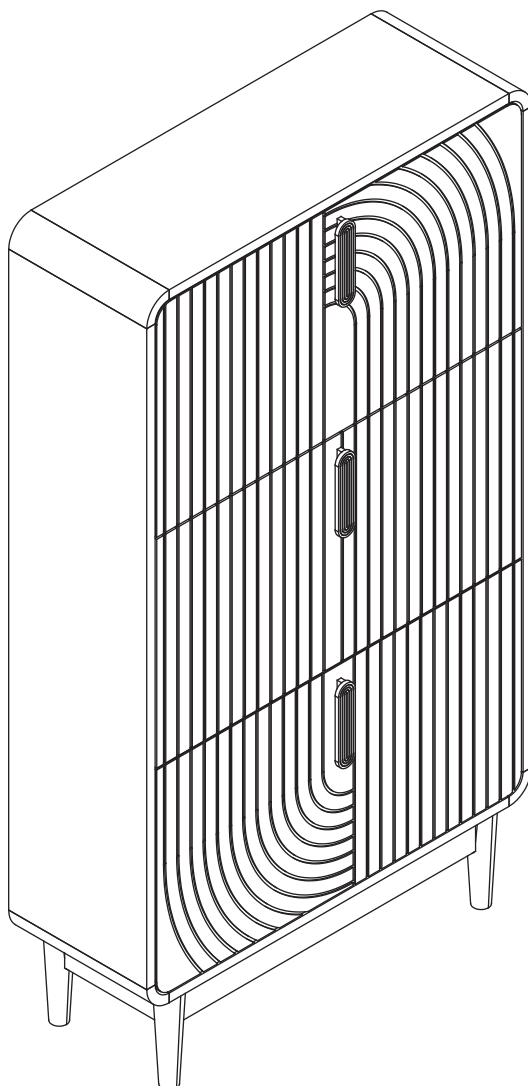
LIVING | BEDROOM | DINING

Range Name : Marnie

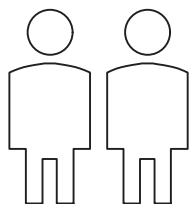
Box dimensions : W140xD43xH18.5cm

Product dimensions : W67xD24xH125cm

Marnie Shoe Storage



Up to 120 minutes
assembly time



Two person
assembly



Electric screwdriver
prohibited

This product is intended for domestic use only, not for commercial purposes.

IMPORTANT

ASSEMBLY TIP

Before you begin, it's best to identify all of the parts and fittings to build your Marnie Shoe Storage frame. We advise laying these out on the floor to check you have everything, and to familiarise yourself with all of the parts and fittings before building.

TOP TIP

We recommend that you assemble the Marnie Shoe Storage in the room you'd like it to be located.

This will help prevent any risk of damage to the frame whilst moving it.

SAFETY AND CARE

It's important to ensure children and animals are kept away from the assembly area, as there are small components used in this product which could present a choking hazard. All plastic and wrapping materials should also be kept away from children and animals to prevent any risk of suffocation.

HELP AND SUPPORT

Please contact our customer service team on 0113 519 0311 if you have any questions or issues with your purchase.

RECYCLING

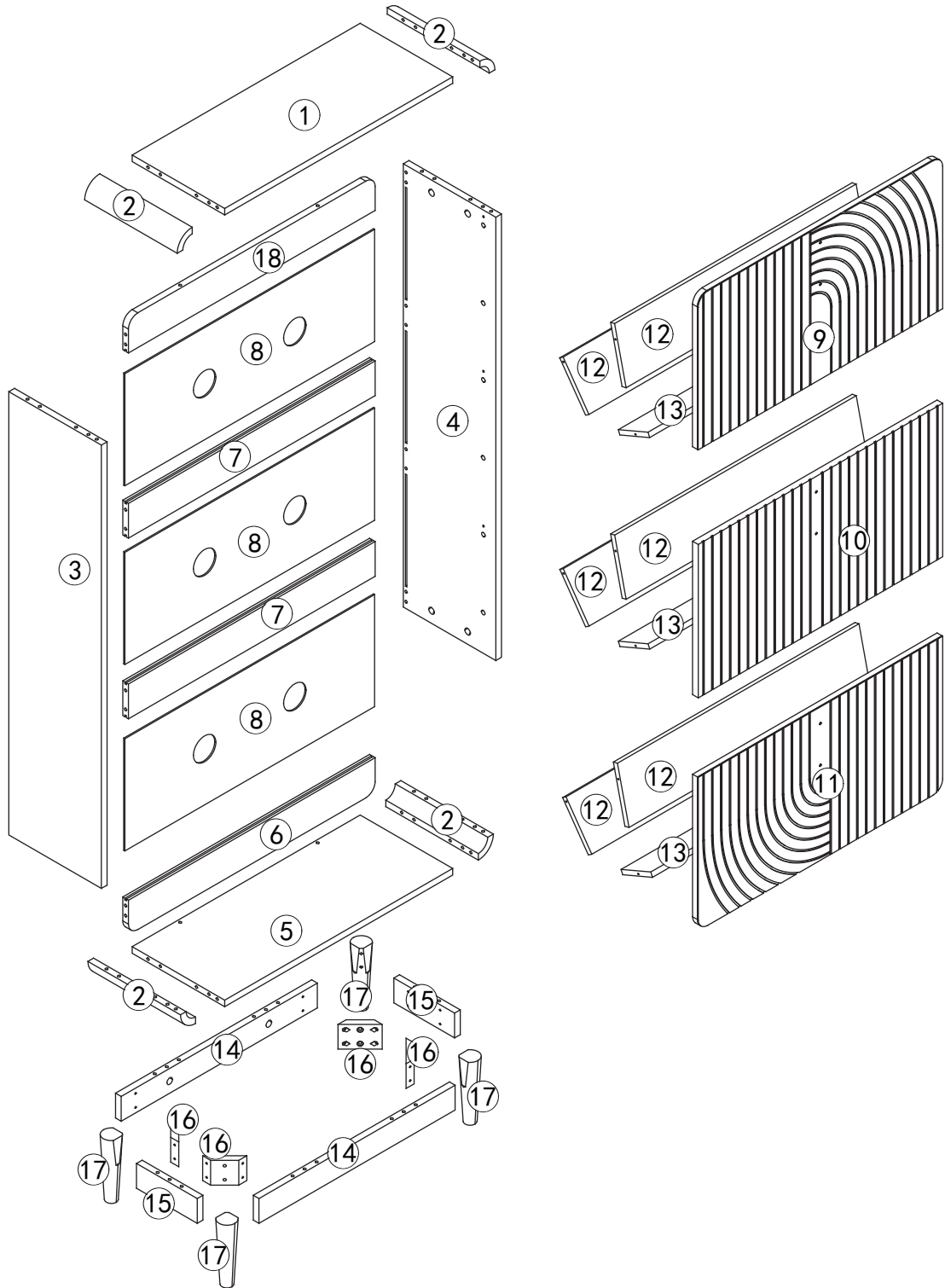
Please ensure that packaging is disposed of in a safe and environmentally friendly way, and recycle where possible. Please keep your assembly instructions safe to refer back to in the future.

1. Only clean using a damp cloth, do not use bleach or abrasive cleaners as they may damage the finish over time.

CARE AND MAINTENANCE:

2. Do not use a very wet cloth or allow any liquid to contact with the veneer for a long period of time. Wipe any spillage immediately. Absorption can cause wood to warp or finishes to de-laminate.
3. Do not scrub or rub the surface when cleaning.
4. Do not drag the Marnie Shoe Storage when moving, lift it off the floor instead.
5. Use a placemat or a coaster when putting hot items (e.g. hot drinks and dishes) on the wood surface.
6. It is not recommended to place the item next to sources of heat such as radiators, fires or directly exposed to sunlight. This may cause the wood to crack, split or fade due to the heat and humidity.
7. Wood will mellow and change colour over time, we recommend that ornaments and items placed on the surface to be moved regularly to prevent uneven mellowing.
8. Regularly check all fixings to ensure none have come loose. Re-tighten if necessary.
9. Avoid sharp items such as a screwdriver or any pointy tools.
10. Dispose of all packaging carefully and responsibly - recycle where possible.

Part List



Parts list




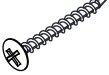
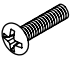
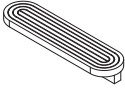
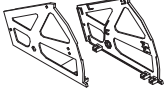










Before you begin building your Marnie Shoe Storage, please take a moment to read through the instructions and make sure that you have all the relevant parts listed on the parts check list.

Part Number	Part Description	Quantity	Box NO
①	Top panel	1 pc	Box
②	R-corner joining strip	4 pcs	Box
③	Left side panel	1 pc	Box
④	Right side panel	1 pc	Box
⑤	Bottom panel	1 pc	Box
⑥	Bottom support	1 pc	Box
⑦	Middle support	2 pcs	Box
⑧	Back panel	3 pcs	Box
⑨	Top door panel	1 pc	Box

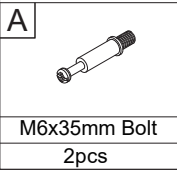
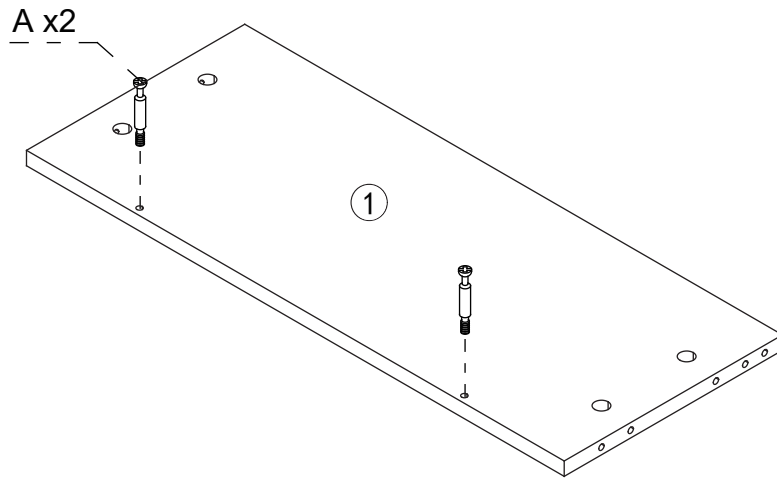
Part Number	Part Description	Quantity	Box NO
⑩	Middle door panel	1 pc	Box
⑪	Bottom door panel	1 pc	Box
⑫	Shelf	6 pcs	Box
⑬	Bottom shelf	3 pcs	Box
⑭	Front/Back apron	2 pcs	Box
⑮	Left/Right apron	2 pcs	Box
⑯	Corner block	4 pcs	Box
⑰	Leg	4 pcs	Box
⑱	Top support	1 pc	Box

Fittings

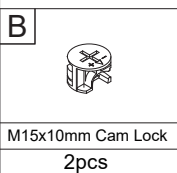
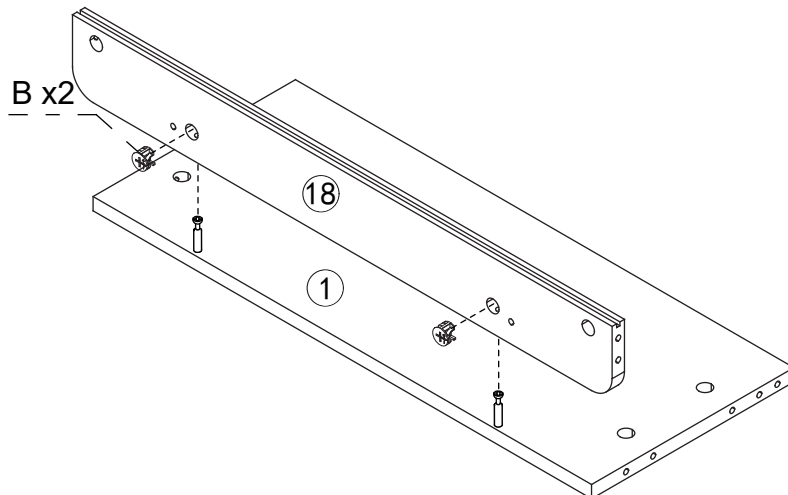
Please check you have all the fittings listed below with your production Box.

<p>A</p> 	<p>B</p> 	<p>C</p> 	<p>D</p> 	<p>E</p> 
<p>M6x35mm Bolt</p> <p>38 pcs+2pc extra</p>	<p>M15x10mm Cam Lock</p> <p>38 pcs+2pc extra</p>	<p>M8x30mm Dowel</p> <p>40 pcs+2pc extra</p>	<p>M4x25mm Screw</p> <p>16 pcs+1pc extra</p>	<p>M4x20mm Screw</p> <p>6 pcs</p>
<p>F</p> 	<p>G</p> 	<p>H</p> 	<p>I</p> 	<p>J</p> 
<p>Handle</p> <p>3 pcs</p>	<p>Plastic flip stand</p> <p>3 pcs</p>	<p>Plastic inserts</p> <p>6 pcs</p>	<p>M3.5x12mm Screw</p> <p>42 pcs+2pc extra</p>	<p>Back plate buckle</p> <p>12 pcs+1pc extra</p>
<p>K</p> 	<p>L</p> 	<p>M</p> 	<p>N</p> 	<p>O</p> 
<p>Foot pads</p> <p>4 pcs</p>	<p>Hole stickers</p> <p>12 pcs+1pc extra</p>	<p>M6x14mm Screw</p> <p>6 pcs</p>	<p>Allen key</p> <p>1 pc</p>	<p>M6x55mm Screw</p> <p>8 pcs+1pc extra</p>
<p>P</p> 	<p>Q</p> 			
<p>Wall anchor kit</p> <p>2 pcs</p>	<p>Plastic connector</p> <p>6 pcs</p>			

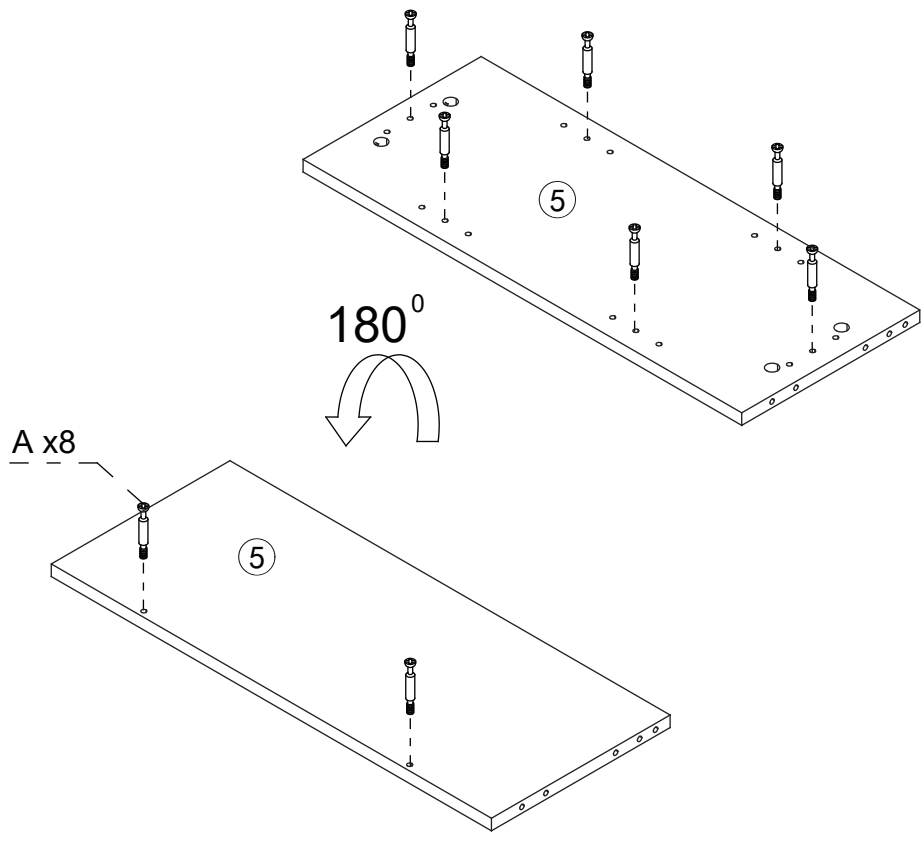
1.




2.

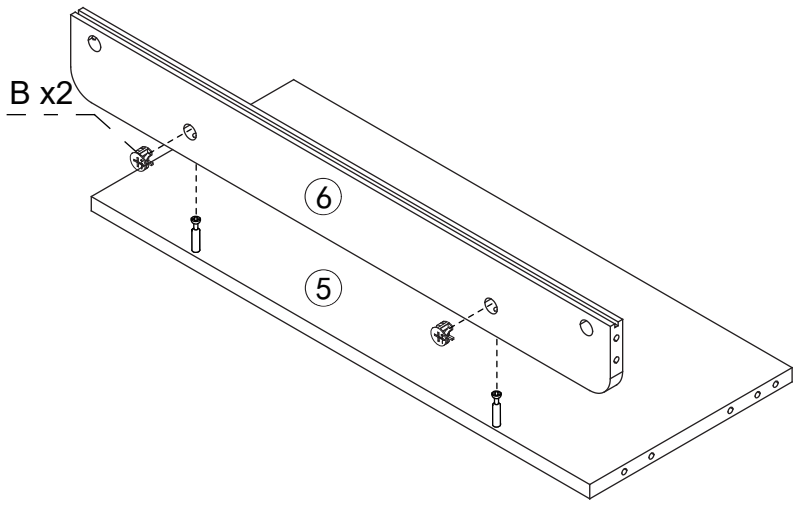



3.



A	
M6x35mm Bolt	
8pcs	

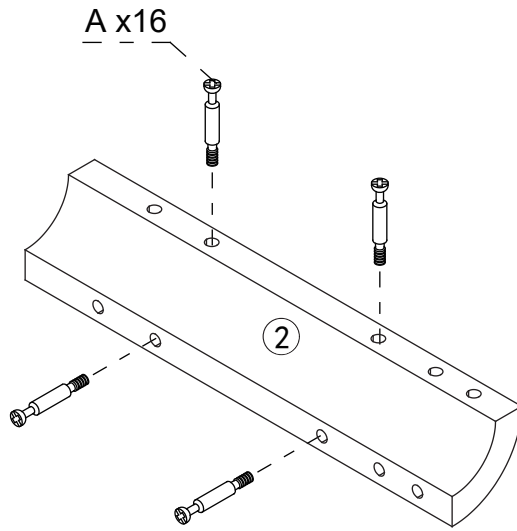
4.



B	
M15x10mm Cam Lock	
2pcs	

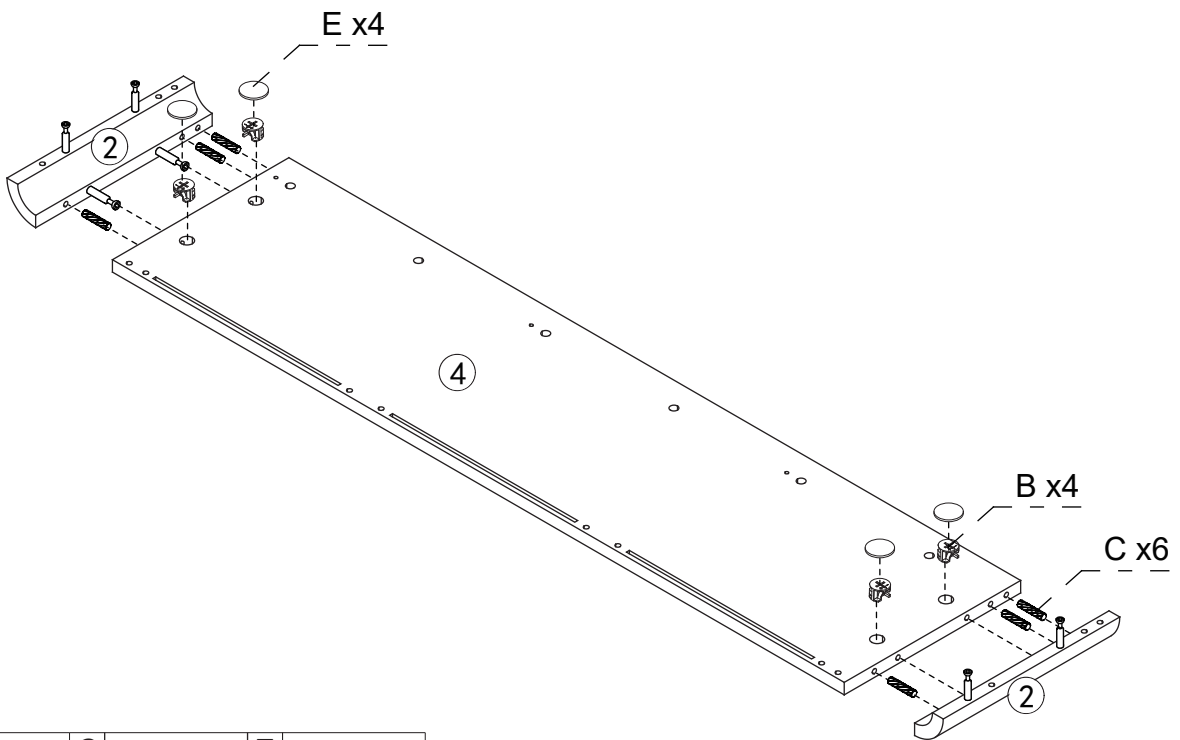
5.

x 4



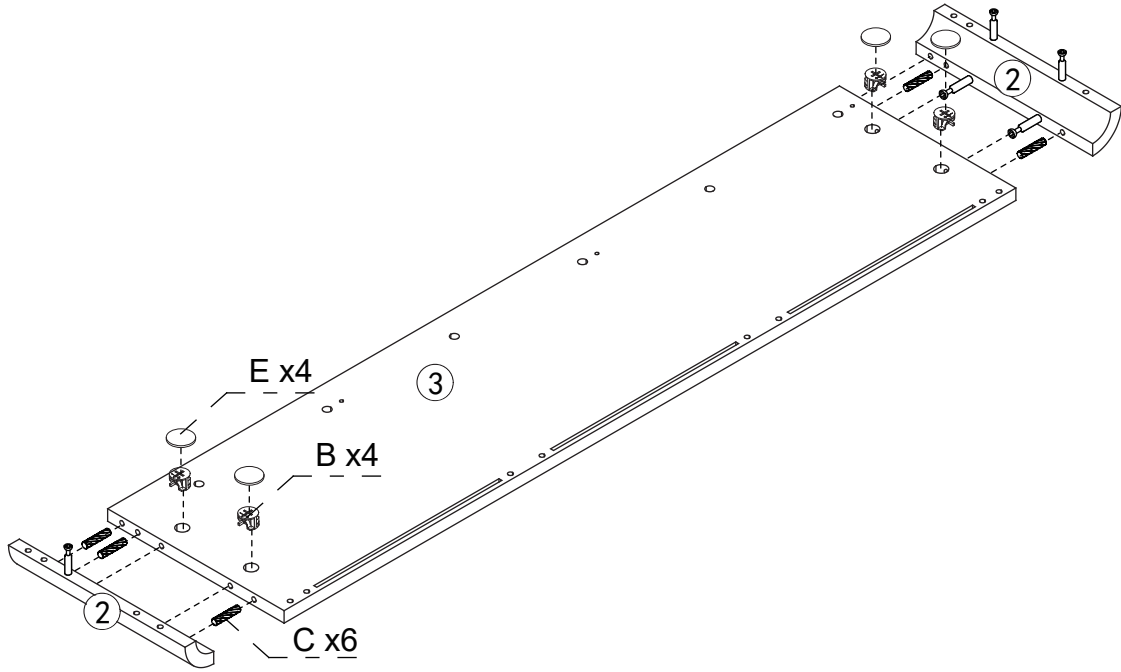
A	
M6x35mm Bolt	
16pcs	




6.



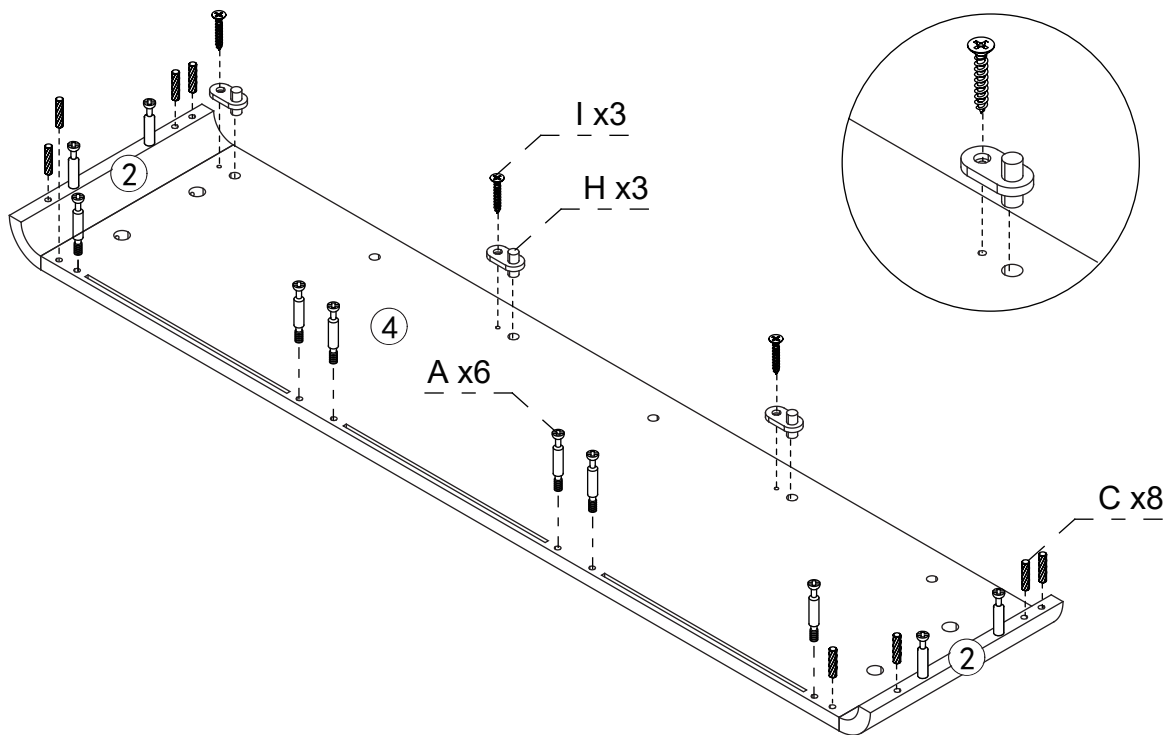
B		C		E	
M15x10mm Cam Lock		M8x30mm Dowel		Hole sticker	
4pcs		6pcs		4pcs	





7.



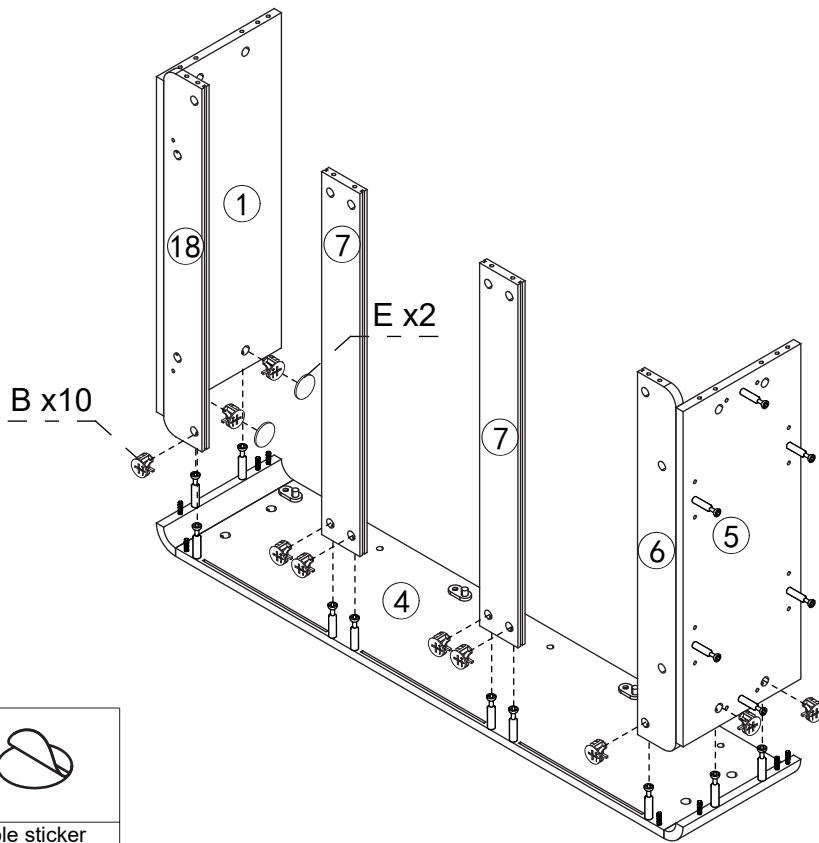
B	C	E
		
M15x10mm Cam Lock 4pcs	M8x30mm Dowel 6pcs	Hole sticker 4pcs



8.



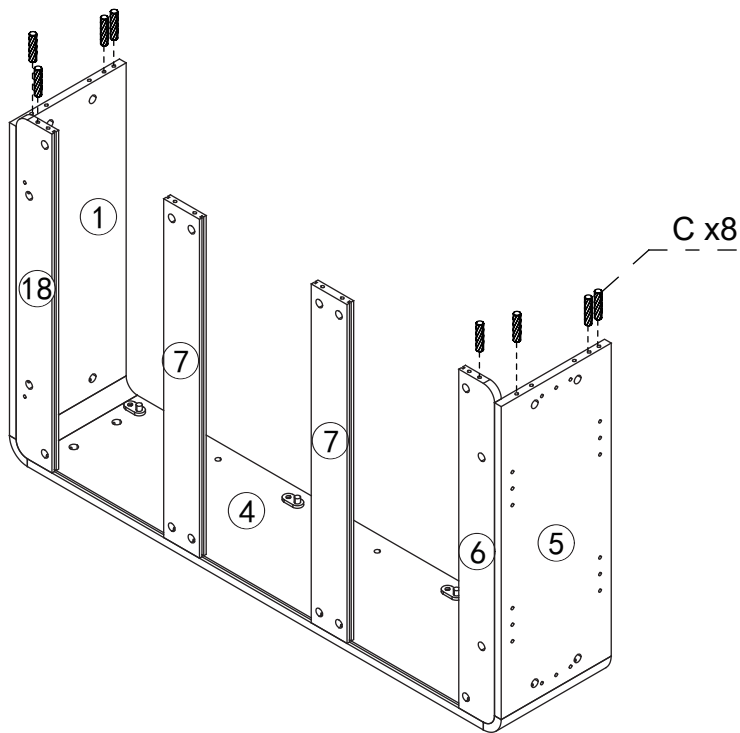
A	C	H	I
			
M6x35mm Bolt 6pcs	M8x30mm Dowel 8pcs	Plastic inserts 3pcs	M3.5x12mm Screw 3pcs


9.



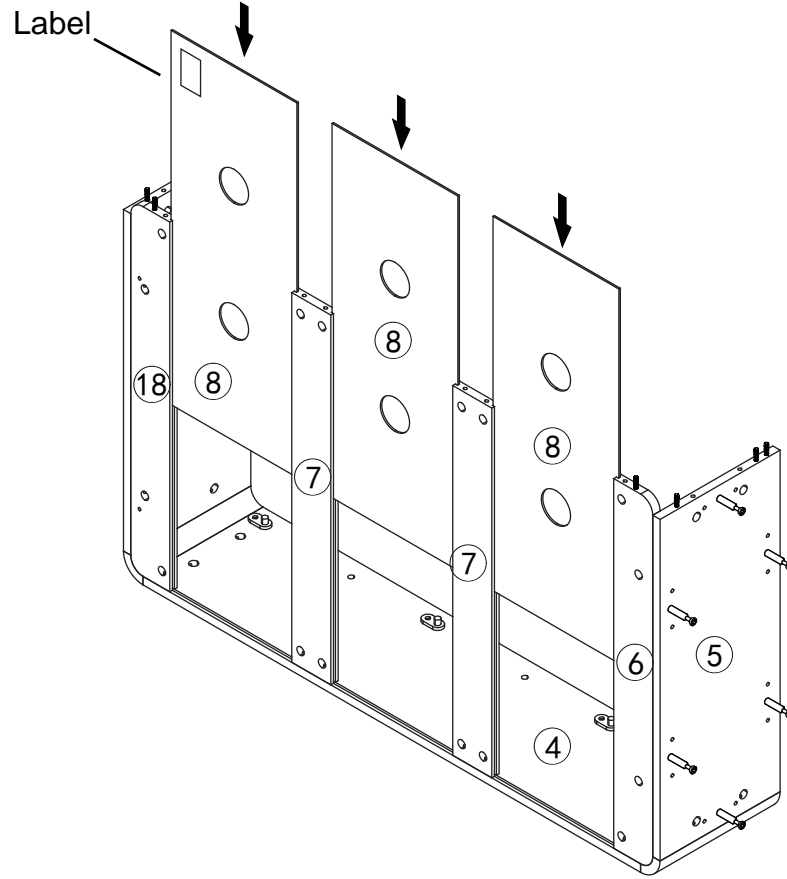
<p>B</p> 	<p>E</p> 
<p>M15x10mm Cam Lock 10pcs</p>	<p>Hole sticker 2pcs</p>

10.

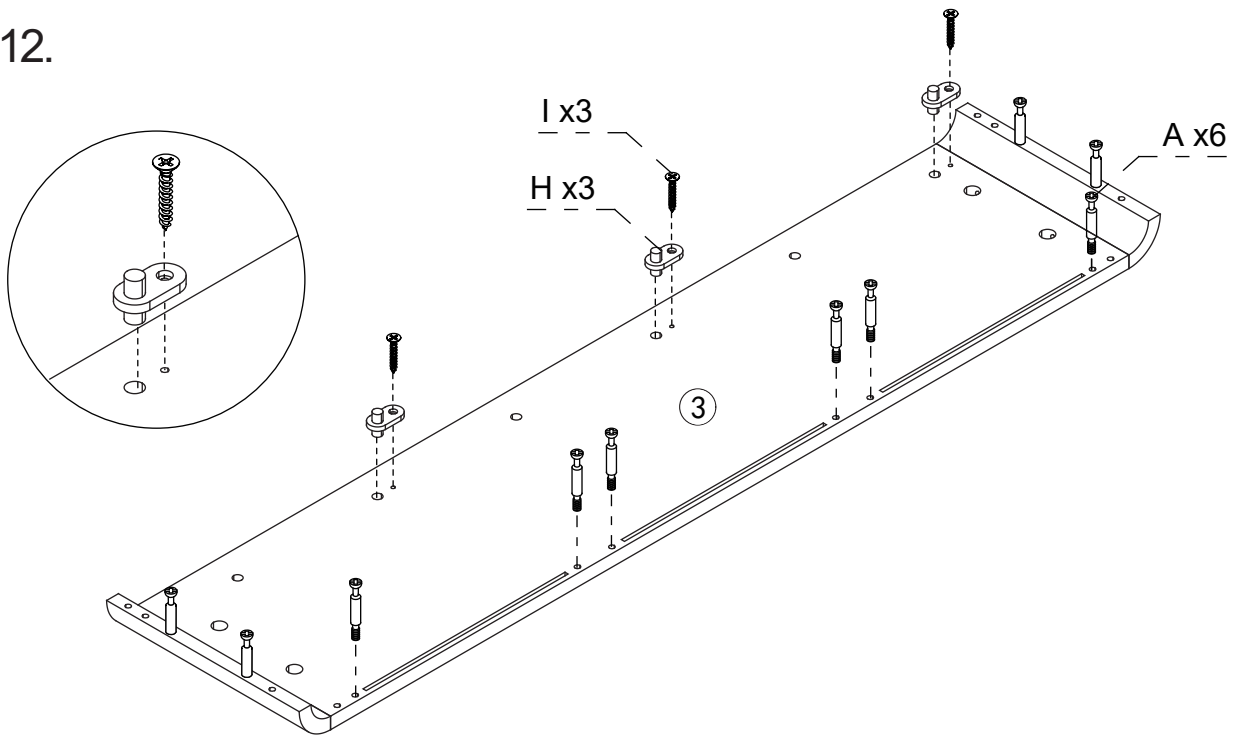





<p>C</p> 
<p>M8x30mm Dowel 8pcs</p>

11.

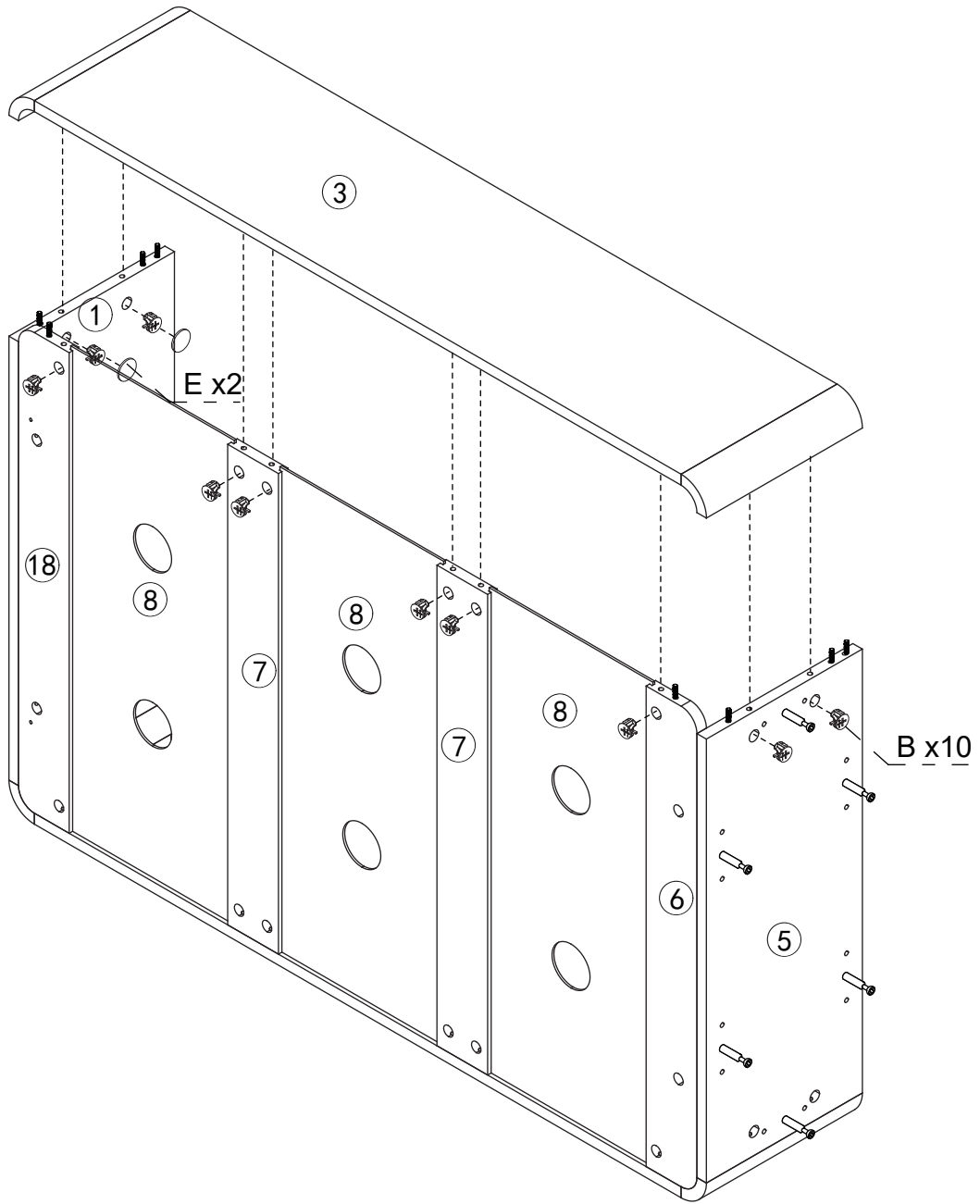




12.



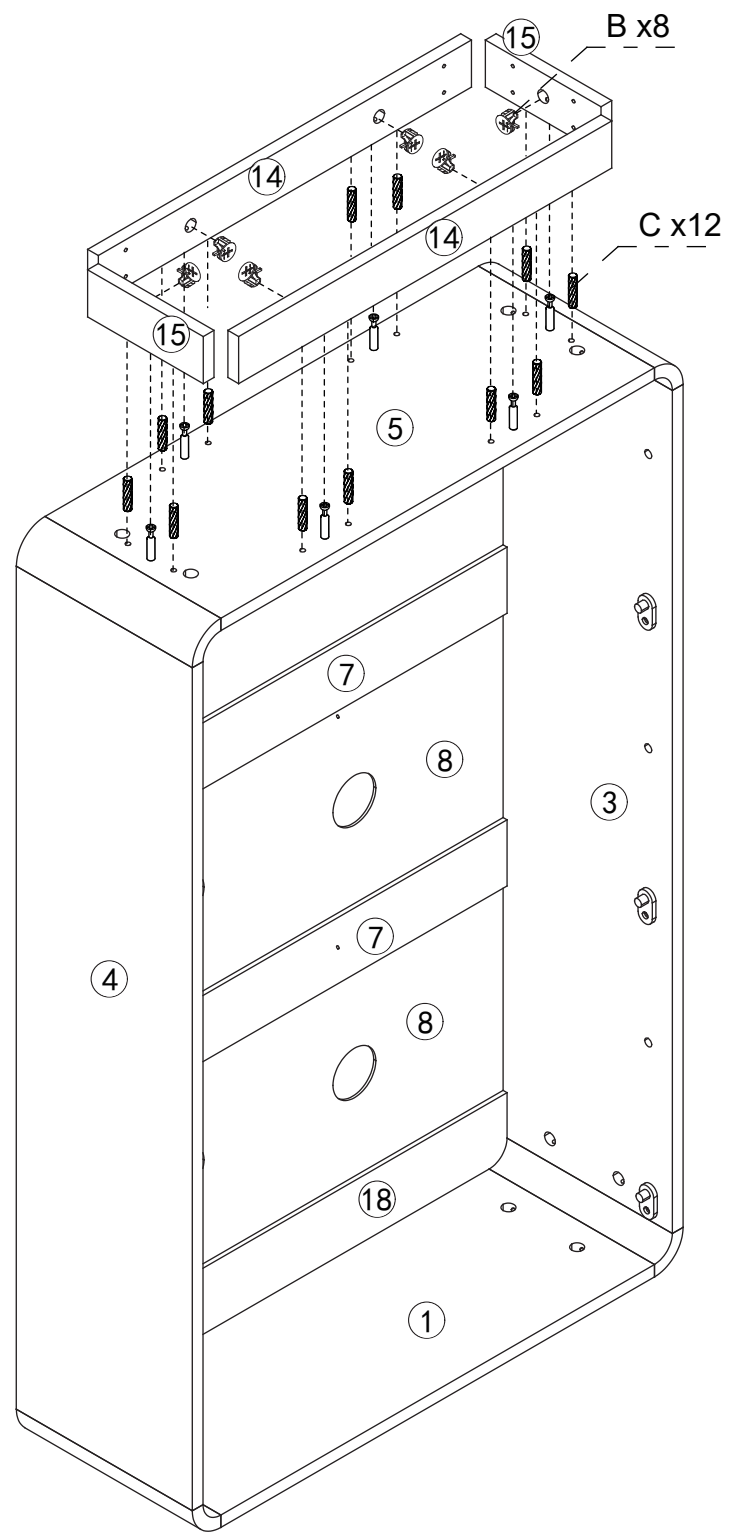
<p>A</p> 	<p>H</p> 	<p>I</p> 
<p>M6x35mm Bolt 6pcs</p>	<p>Plastic inserts 3pcs</p>	<p>M3.5x12mm Screw 3pcs</p>



13.



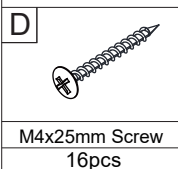
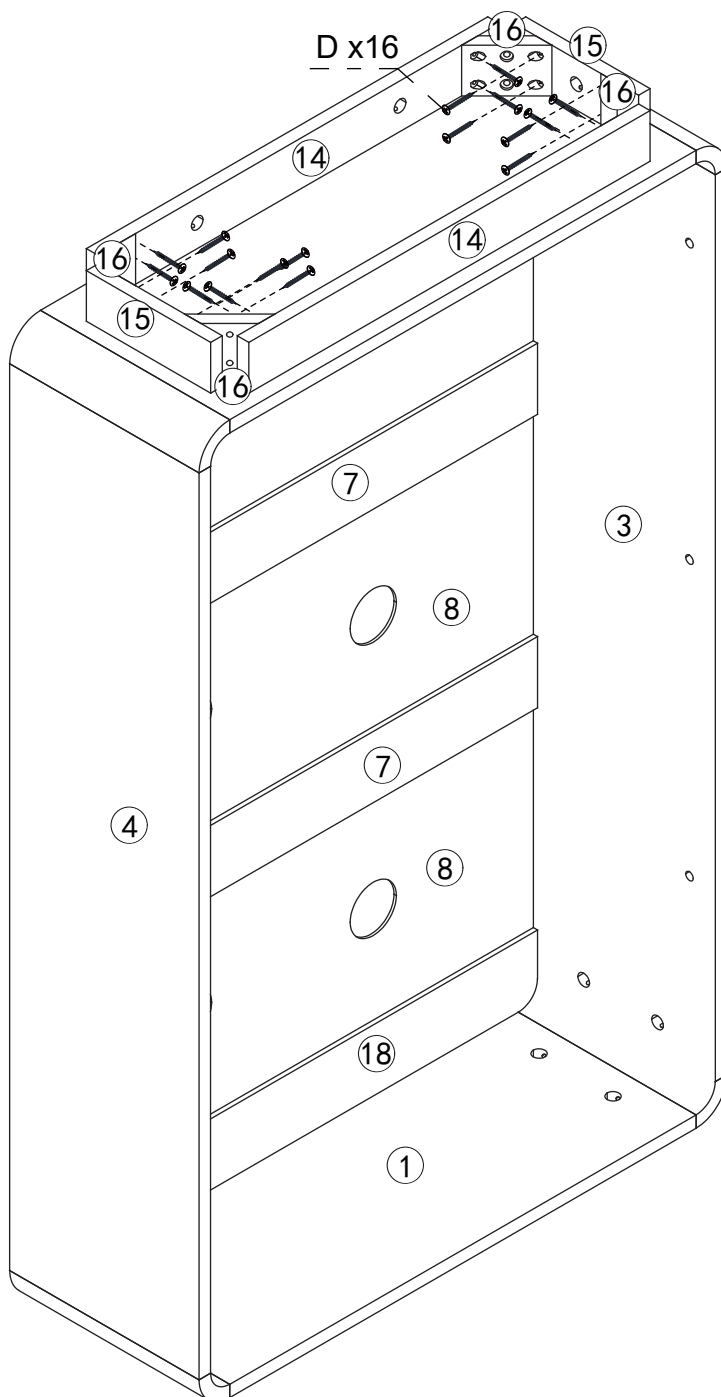
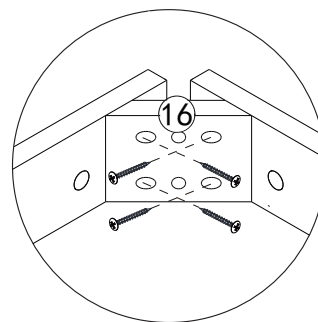
<p>B</p> 	<p>E</p> 
<p>M15x10mm Cam Lock 10pcs</p>	<p>Hole sticker 2pcs</p>

14.

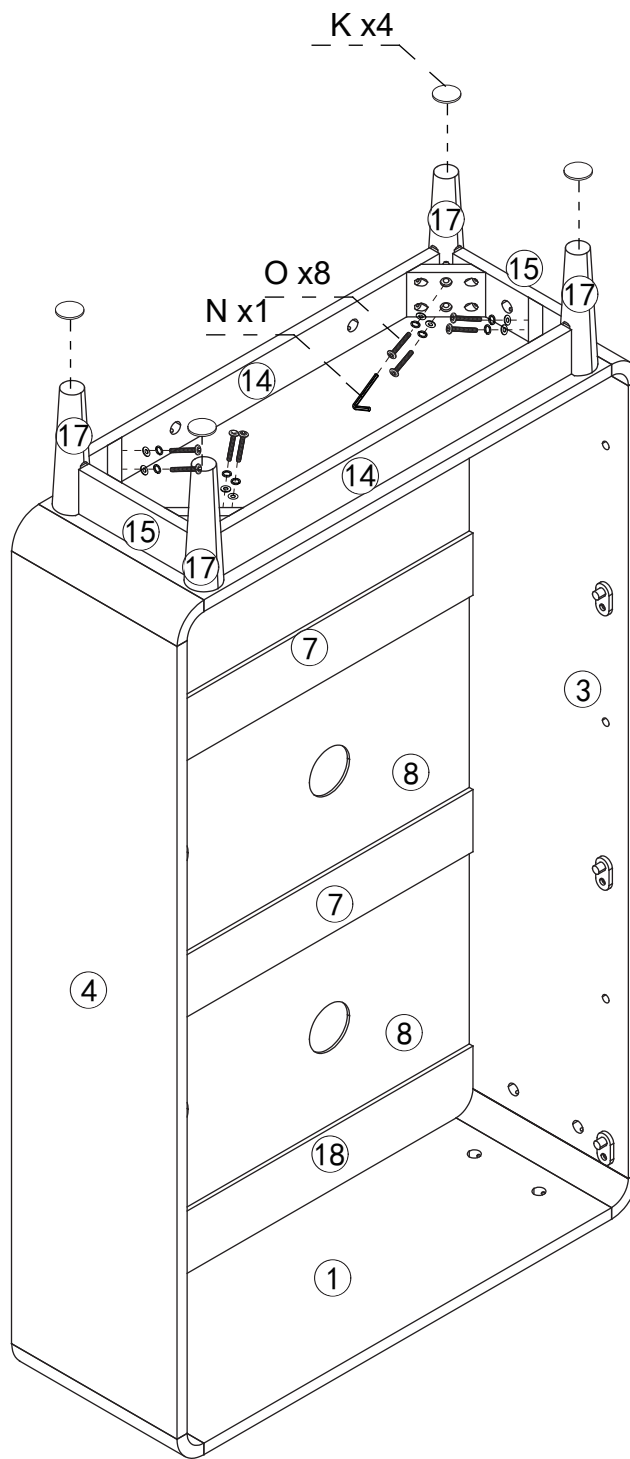




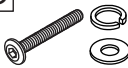
<p>B</p> 	<p>C</p> 
<p>M15x10mm Cam Lock 6pcs</p>	<p>M8x30mm Dowel 12pcs</p>

15.

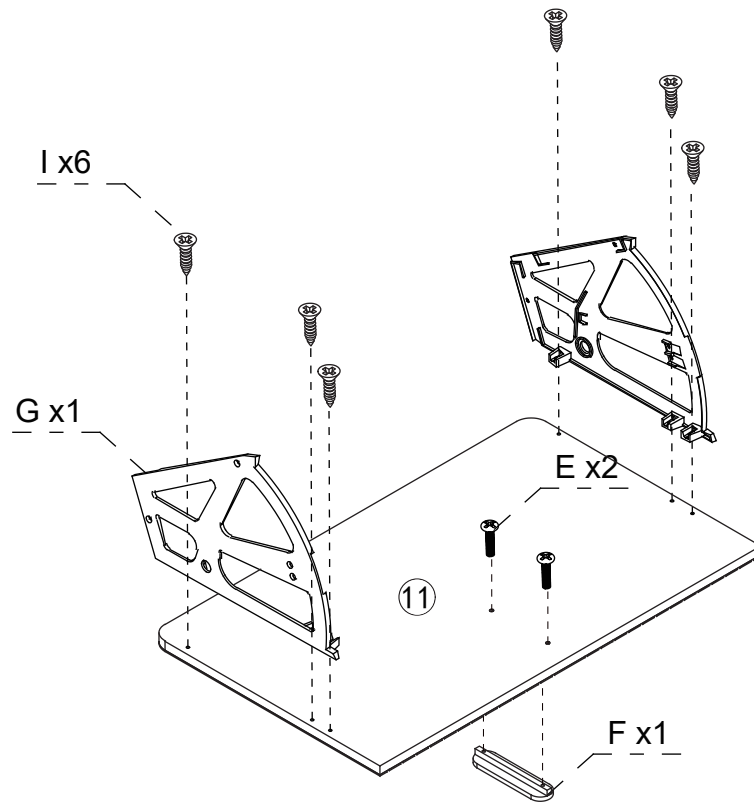





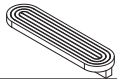
16.



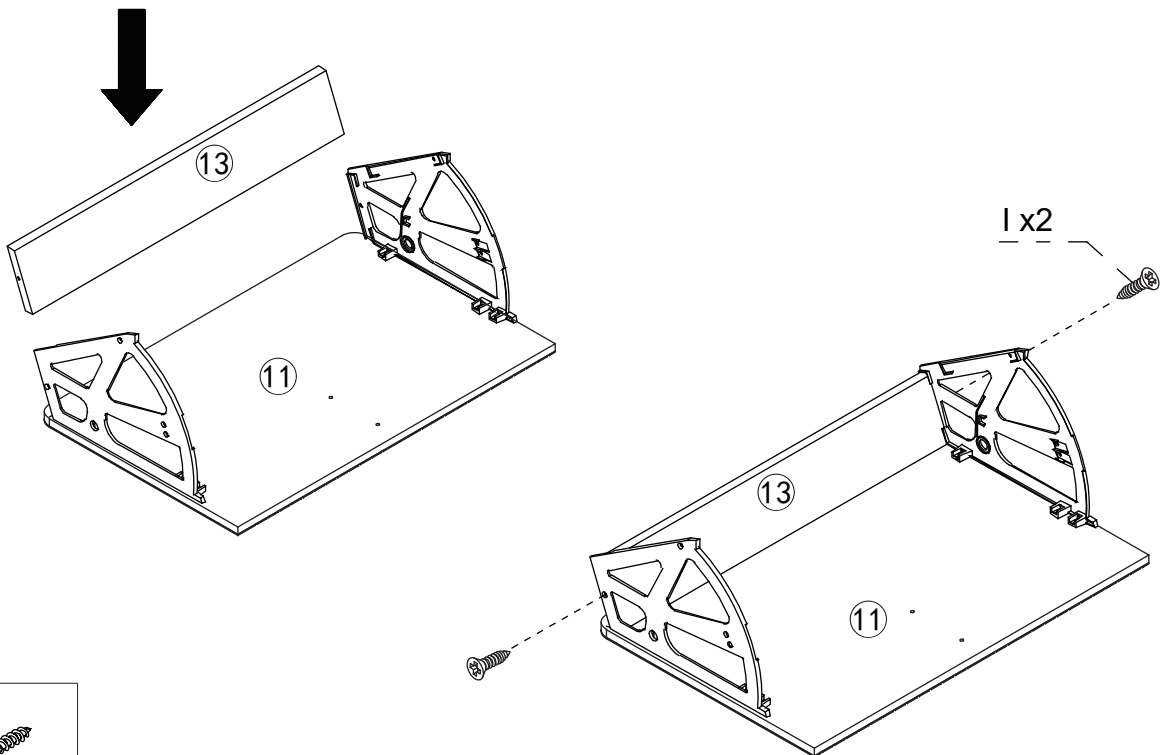
<p>K</p> 	<p>N</p> 	<p>O</p> 
<p>Foot pads 4pcs</p>	<p>Allen key 1pc</p>	<p>M6x55mm Screw 8pcs</p>


17.



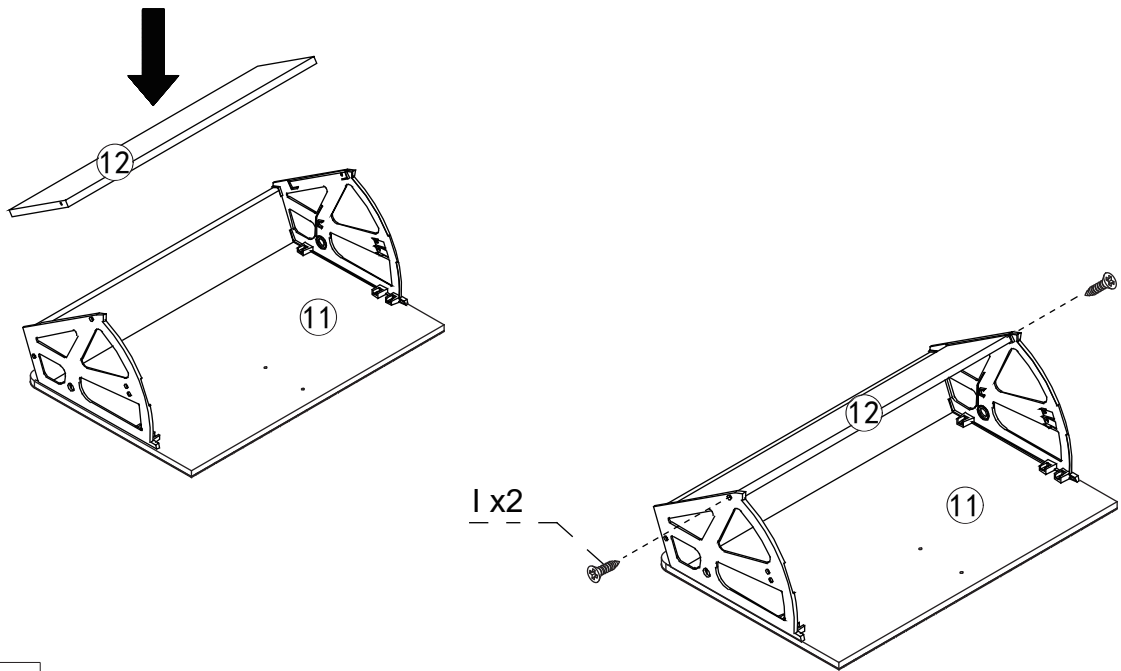
<p>G</p> 	<p>I</p> 
<p>Plastic flip stand 1 pc</p>	<p>M3.5x12mm Screw 6 pcs</p>
<p>E</p> 	<p>F</p> 
<p>M4x20mm screw 2 pcs</p>	<p>Handle 1 pc</p>


18.



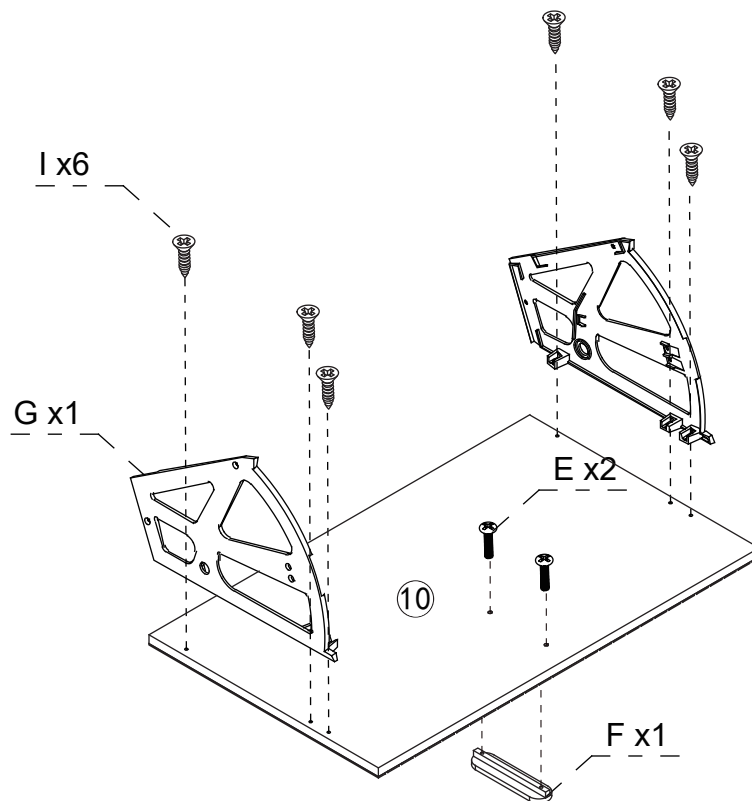
<p>I</p> 
<p>M3.5x12mm Screw 2 pcs</p>

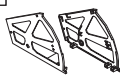


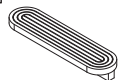
19.



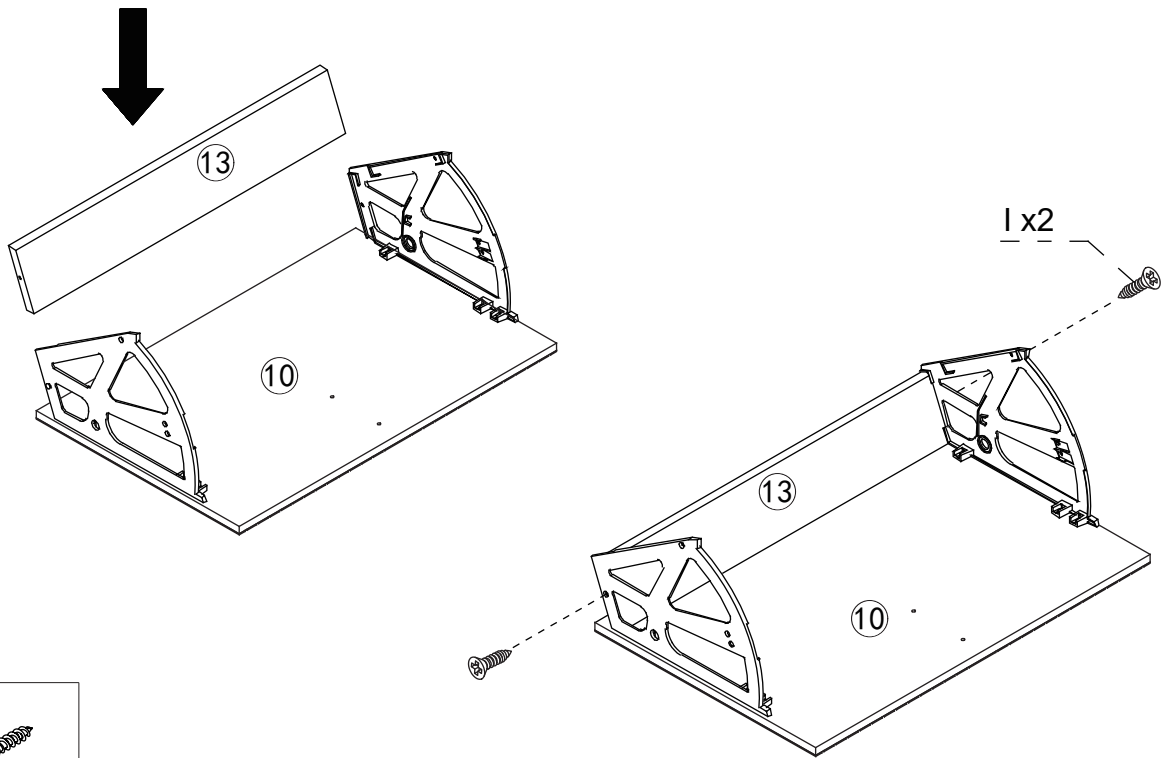
I	
M3.5x12mm Screw 2pcs	


20.



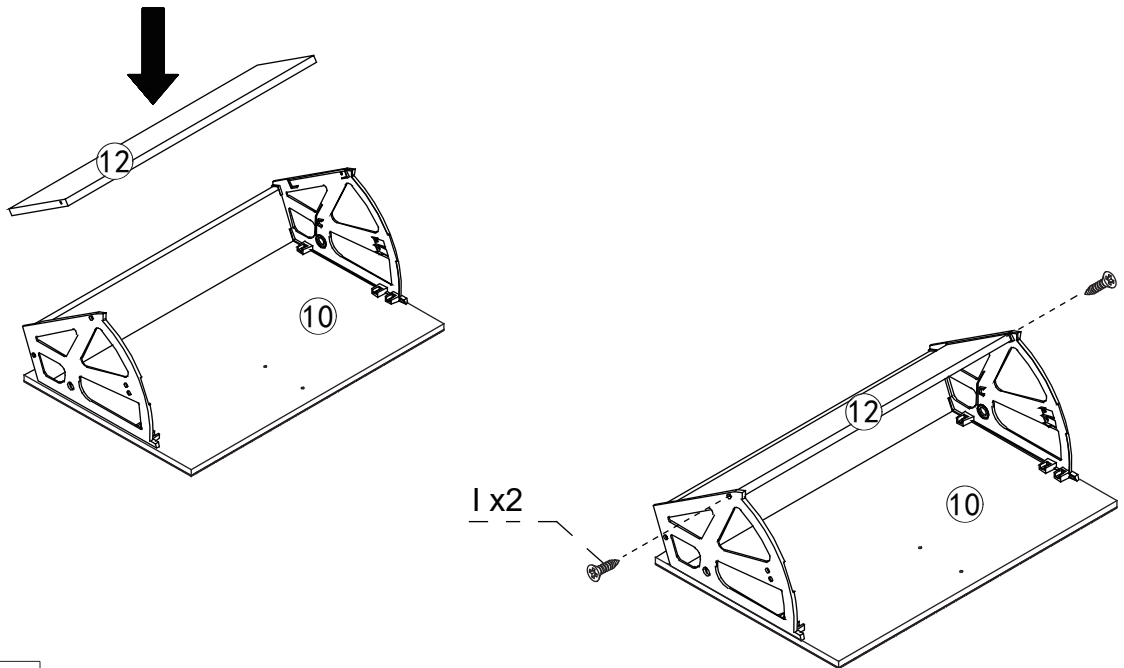
G		I	
Plastic flip stand 1pc		M3.5x12mm Screw 6pcs	
E		F	
M4x20mm screw 2pcs		Handle 1pc	


21.



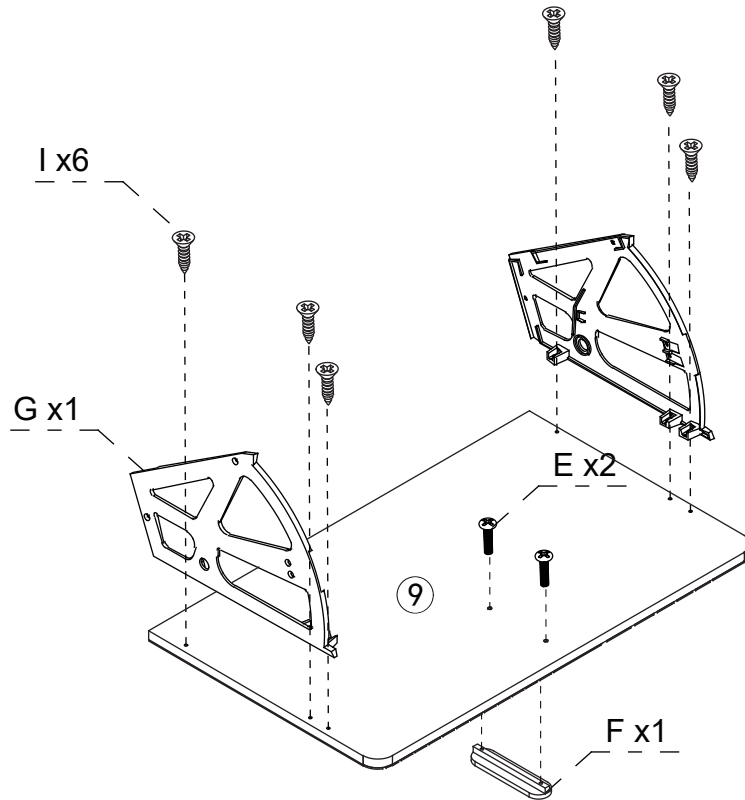
I	
M3.5x12mm Screw	
2pcs	

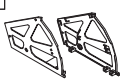


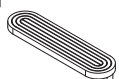
22.



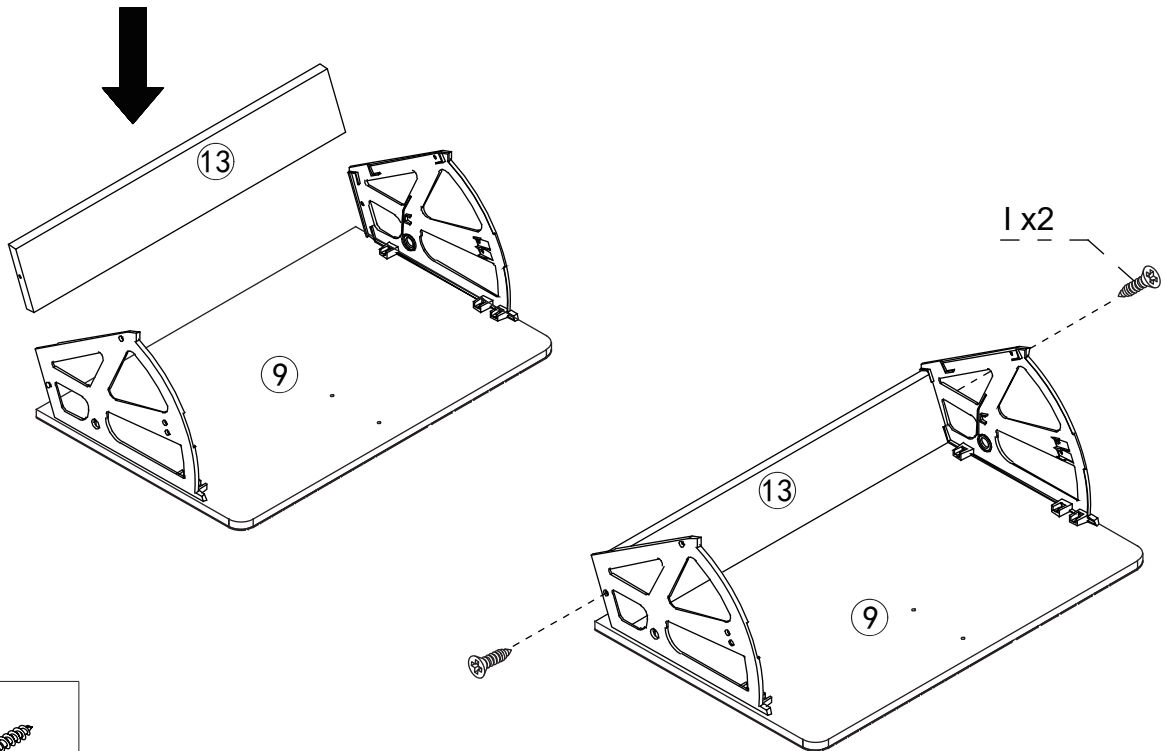
I	
M3.5x12mm Screw	
2pcs	


23.



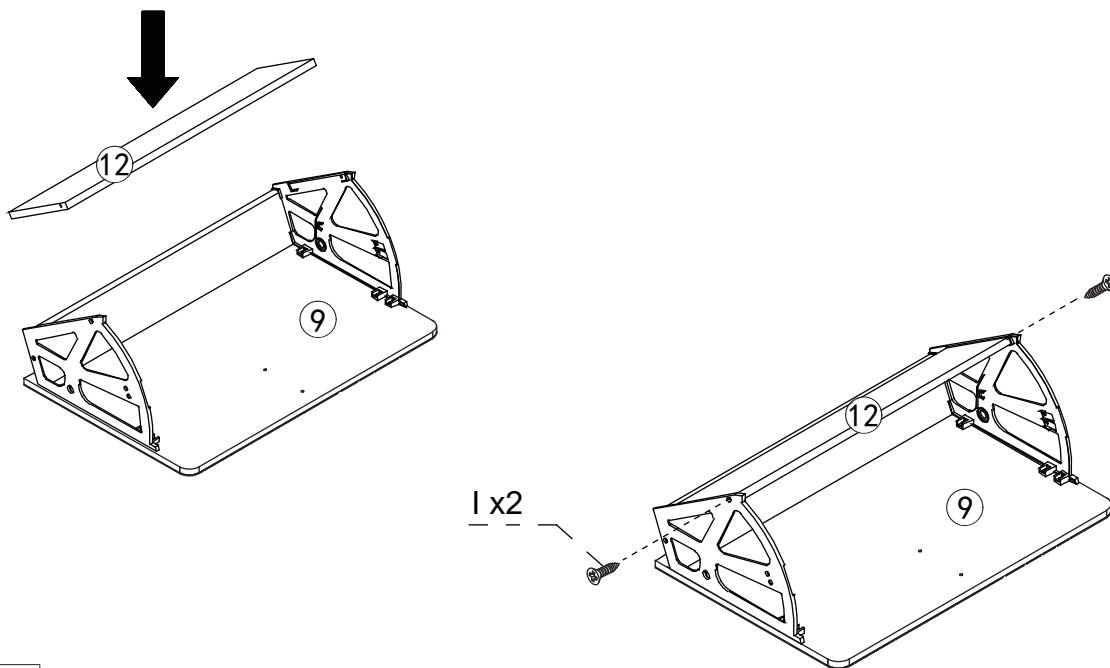
<p>G</p> 	<p>I</p> 
<p>Plastic flip stand 1pc</p>	<p>M3.5x12mm Screw 6pcs</p>
<p>E</p> 	<p>F</p> 
<p>M4x20mm screw 2pcs</p>	<p>Handle 1pc</p>


24.



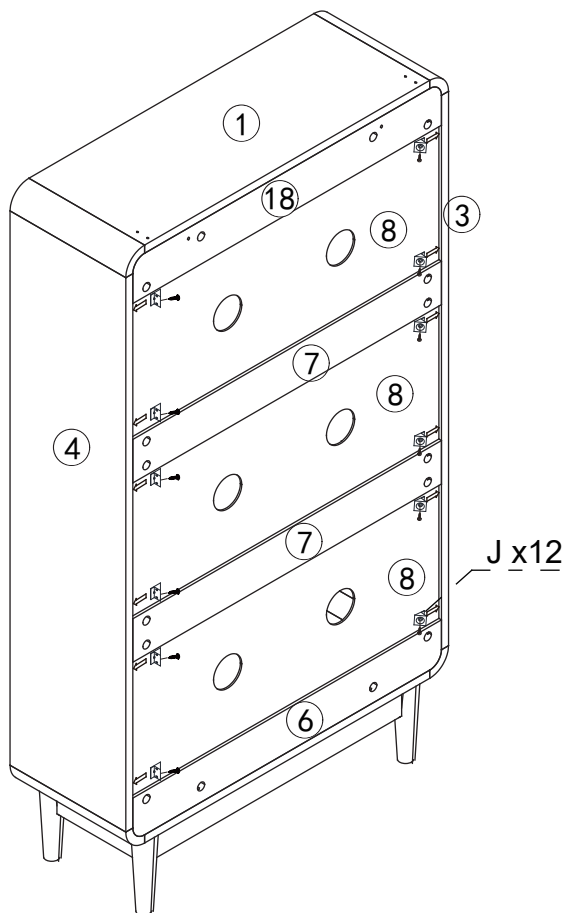
<p>I</p> 
<p>M3.5x12mm Screw 2pcs</p>


25.



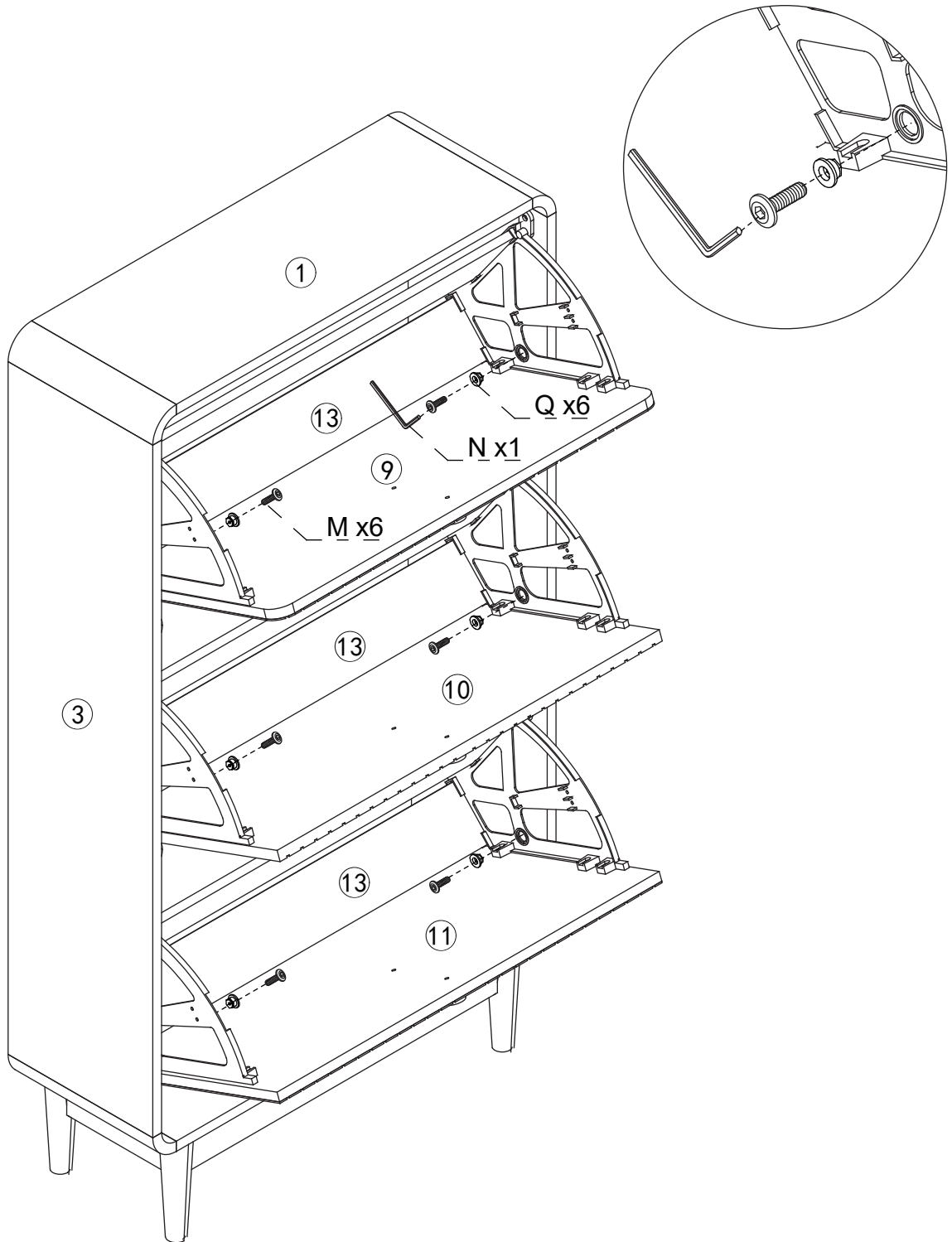
I	
M3.5x12mm Screw	
2pcs	




26.



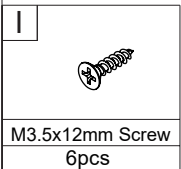
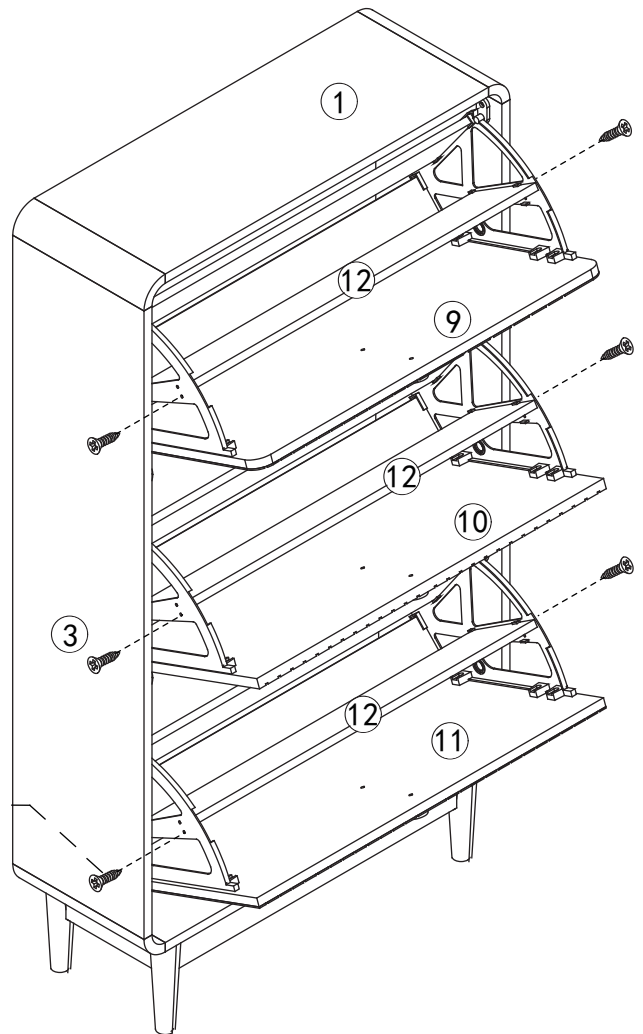
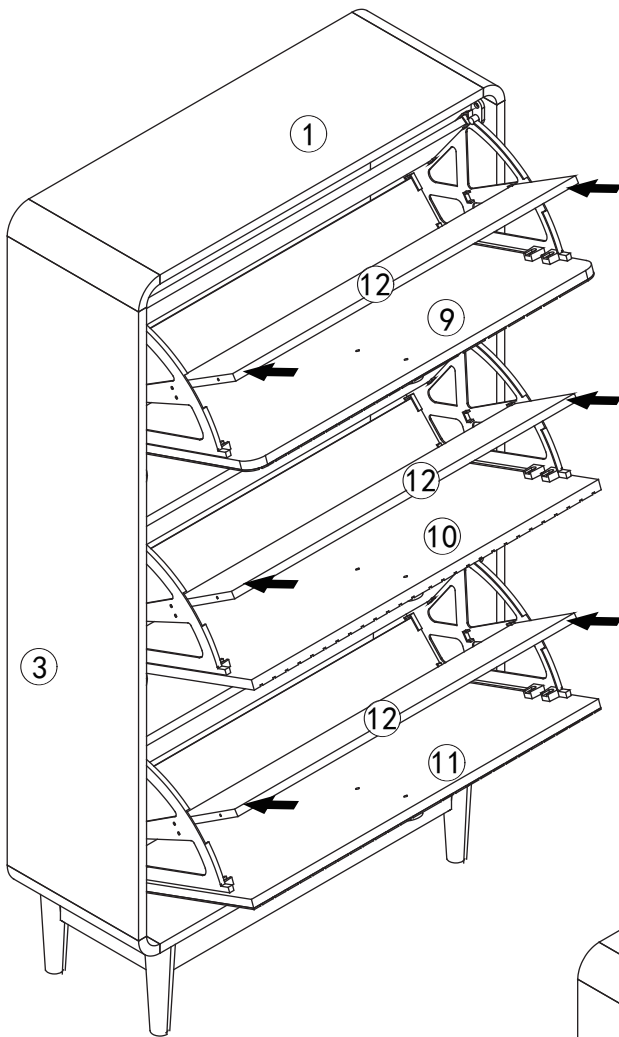
J	
Back plate buckle	
12 pcs	

27.

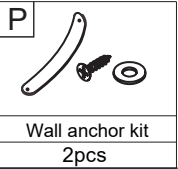
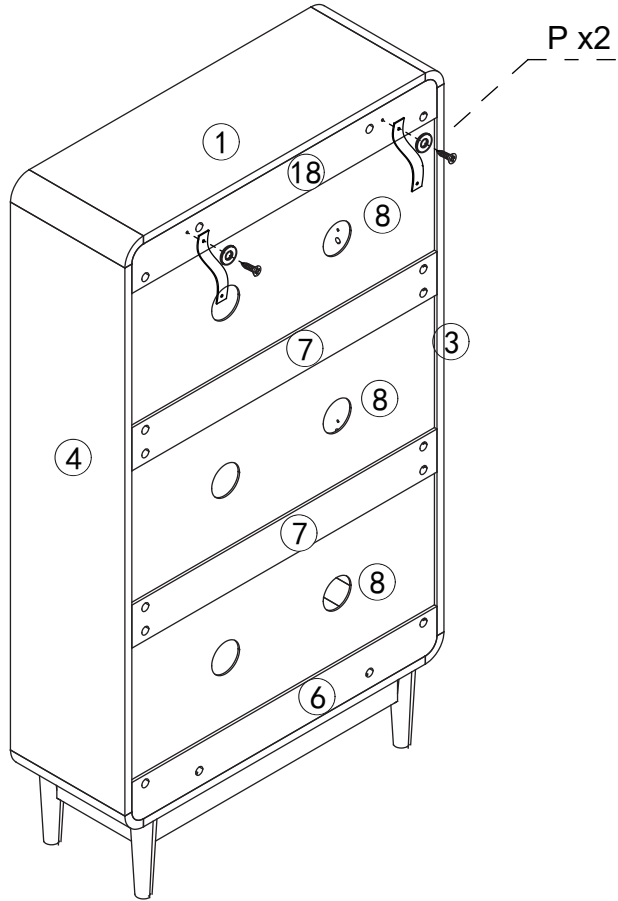
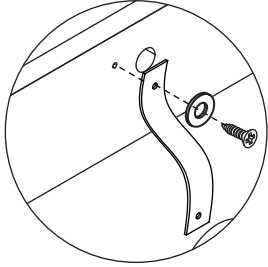


M		N		Q	
M6x14mm Screw	6pcs	Allan key	1pc	Plastic connector	8pcs

38.



29.



30.

