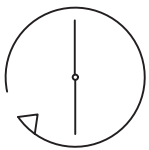
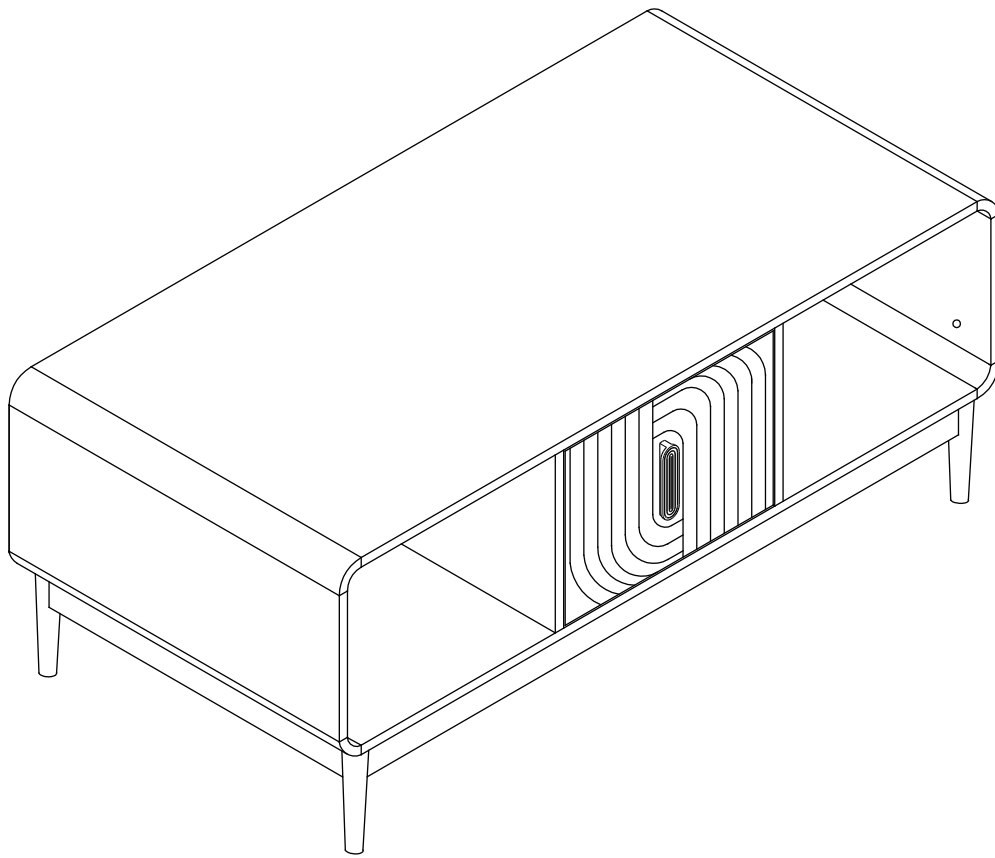
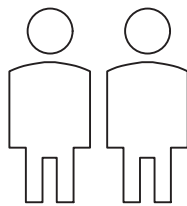


Marnie Coffee Table



Up to 120 minutes
assembly time



Two person
assembly



Electric screwdriver
prohibited

This product is intended for domestic use only, not for commercial purposes.

IMPORTANT

ASSEMBLY TIP

Before you begin, it's best to identify all of the parts and fittings to build your Marnie Coffee Table frame. We advise laying these out on the floor to check you have everything, and to familiarise yourself with all of the parts and fittings before building.

TOP TIP

We recommend that you assemble the Marnie Coffee Table in the room you'd like it to be located. This will help prevent any risk of damage to the frame whilst moving it.

SAFETY AND CARE

It's important to ensure children and animals are kept away from the assembly area, as there are small components used in this product which could present a choking hazard. All plastic and wrapping materials should also be kept away from children and animals to prevent any risk of suffocation.

HELP AND SUPPORT

Please contact our customer service team on 0113 519 0311 if you have any questions or issues with your purchase.

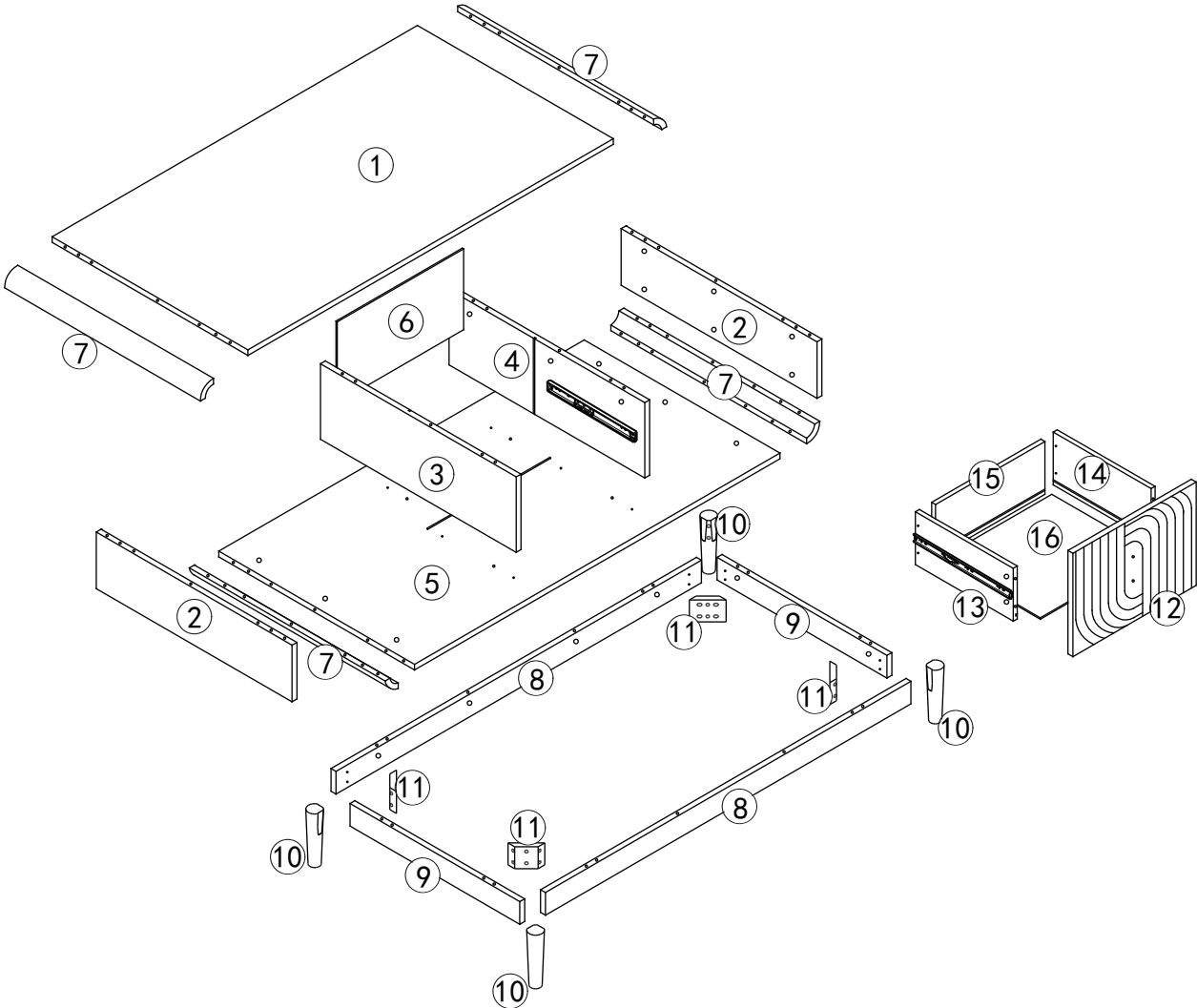
RECYCLING

Please ensure that packaging is disposed of in a safe and environmentally friendly way, and recycle where possible. Please keep your assembly instructions safe to refer back to in the future.

CARE AND MAINTENANCE:

1. Only clean using a damp cloth, do not use bleach or abrasive cleaners as they may damage the finish over time.
2. Do not use a very wet cloth or allow any liquid to contact with the veneer for a long period of time. Wipe any spillage immediately. Absorption can cause wood to warp or finishes to de-laminate.
3. Do not scrub or rub the surface when cleaning.
4. Do not drag the Marnie Coffee Table when moving, lift it off the floor instead.
5. Use a placemat or a coaster when putting hot items (e.g. hot drinks and dishes) on the wood surface.
6. It is not recommended to place the item next to sources of heat such as radiators, fires or directly exposed to sunlight. This may cause the wood to crack, split or fade due to the heat and humidity.
7. Wood will mellow and change colour over time, we recommend that ornaments and items placed on the surface to be moved regularly to prevent uneven mellowing.
8. Regularly check all fixings to ensure none have come loose. Re-tighten if necessary.
9. Avoid sharp items such as a screwdriver or any pointy tools.
10. Dispose of all packaging carefully and responsibly - recycle where possible.

Part List



Parts list




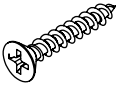
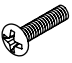

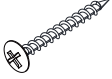

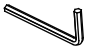


Before you begin building your Marnie Coffee Table, please take a moment to read through the instructions and make sure that you have all the relevant parts listed on the parts check list.

| Part Number | Part Description | Quantity | Box NO |
|-------------|--|----------|--------|
| ① | Top panel | 1 pc | Box |
| ② | Side panel | 2 pcs | Box |
| ③ | Middle left panel With slide pre assembled | 1 pc | Box |
| ④ | Middle right panel With slide pre assembled | 1 pc | Box |
| ⑤ | Bottom panel | 1 pcs | Box |
| ⑥ | Back panel | 1 pc | Box |
| ⑦ | R-corner joining strip | 4 pcs | Box |
| ⑧ | Front/Back apron | 2 pcs | Box |

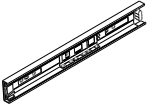
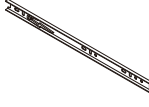
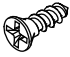
| Part Number | Part Description | Quantity | Box NO |
|-------------|--|----------|--------|
| ⑨ | Left/Right apron | 2 pcs | Box |
| ⑩ | Leg | 4 pcs | Box |
| ⑪ | Corner block | 4 pcs | Box |
| ⑫ | Drawer front panel | 1 pc | Box |
| ⑬ | Drawer left panel With slide pre assembled | 1 pc | Box |
| ⑭ | Drawer Right panel With slide pre assembled | 1 pc | Box |
| ⑮ | Drawer back panel | 1 pc | Box |
| ⑯ | Drawer bottom panel | 1 pc | Box |

Fittings

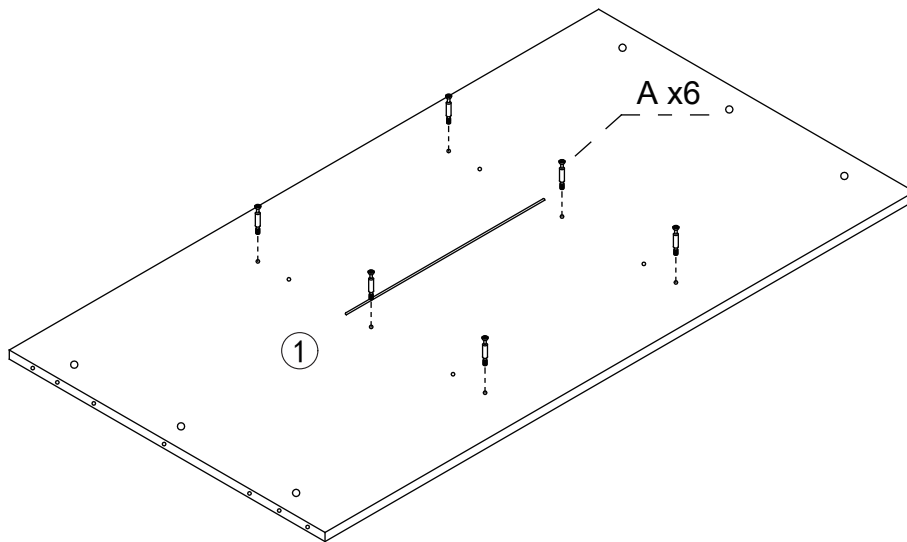
Please check you have all the fittings listed below with your productin Box.


| | | | | |
|---|---|---|---|---|
|  |  |  |  |  |
| <p>M6x35mm Bolt 46 pcs+2pc extra</p> | <p>M15x10mm Cam Lock 46 pcs+2pc extra</p> | <p>M8x30mm Dowel 48 pcs+2pc extra</p> | <p>M4x35mm Screw 10 pcs+1pc extra</p> | <p>M4x20mm Screw 2 pc</p> |
|  |  |  |  |  |
| <p>Handle 1 pc</p> | <p>M4x25mm Screw 16 pcs+1pc extra</p> | <p>M6x55mm Screw 8 pcs+1pc extra</p> | <p>Allen key 1 pc</p> | <p>Hole stickers 22 pcs+1pc extra</p> |
|  | | | | |
| <p>Foot pads 4 pcs</p> | | | | |

Pre-assembled Fittings.

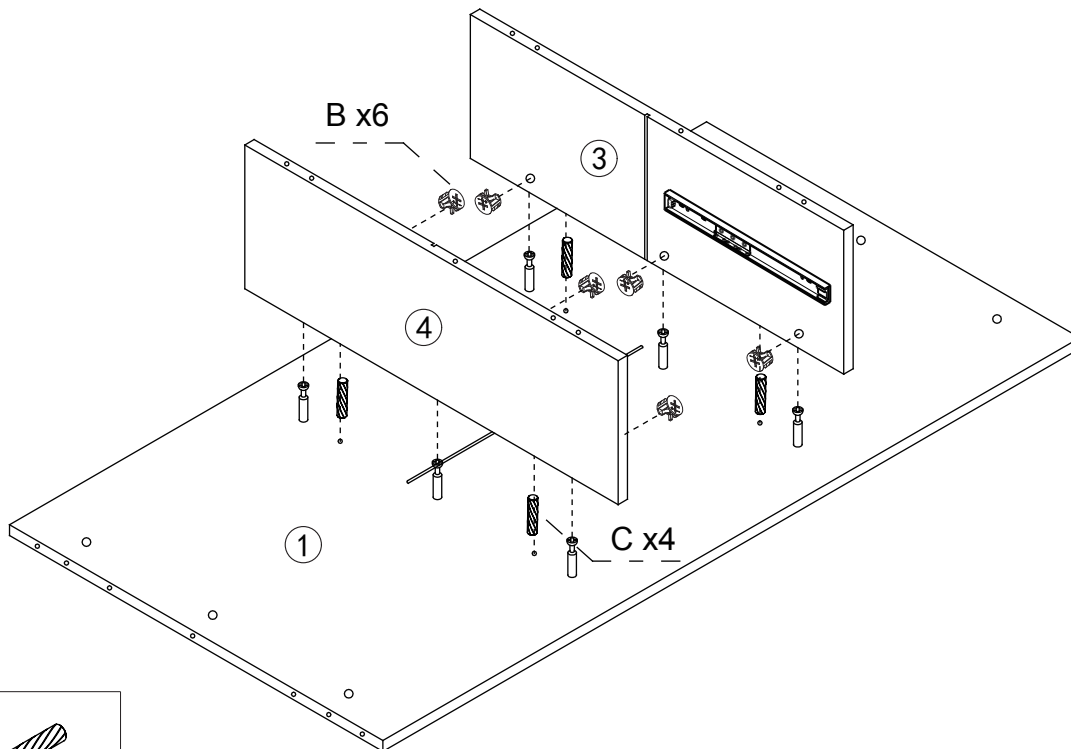
| | | |
|---|---|---|
|  |  |  |
| <p>Slide Pre-assembled 2</p> | <p>Slide Pre-assembled 2</p> | <p>M3.5x12mm Screw 8</p> |



1.



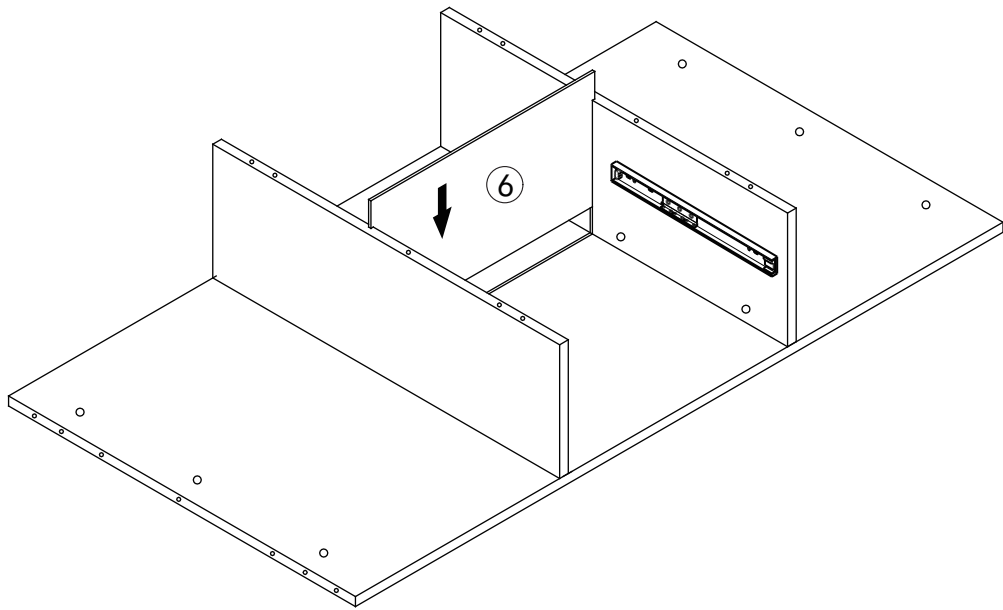
| | |
|--------------|--|
| A |  |
| M6x35mm Bolt | |
| 6pcs | |

2.

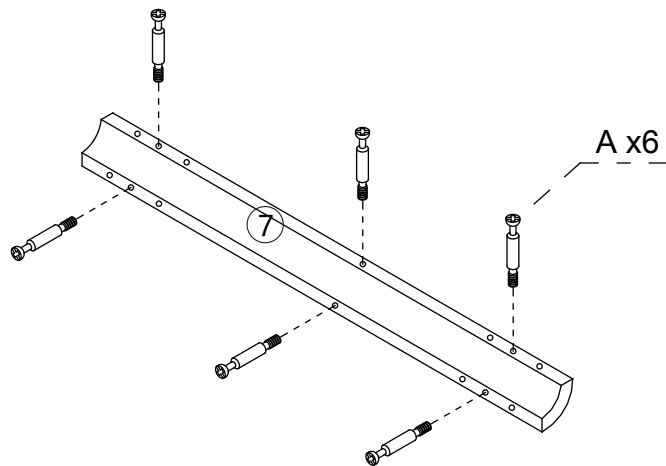


| | | | |
|-------------------|---|---------------|---|
| B |  | C |  |
| M15x10mm Cam Lock | | M8x30mm Dowel | |
| 6pcs | | 4pcs | |


3.



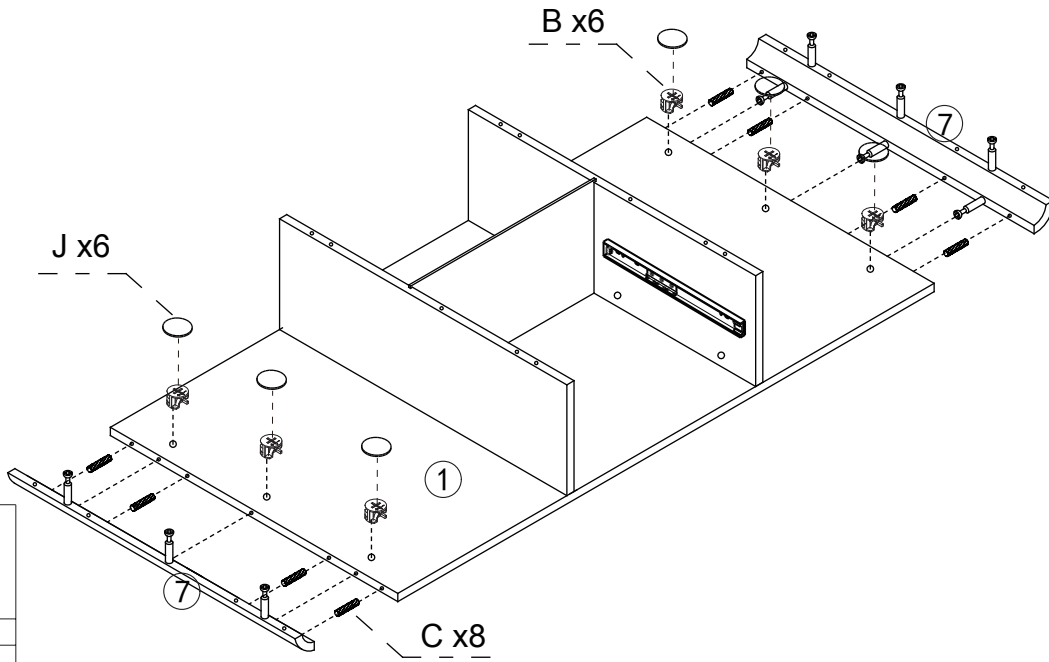
4.






x 4

| | |
|--------------|---|
| A |  |
| M6x35mm Bolt | |
| 24pcs | |

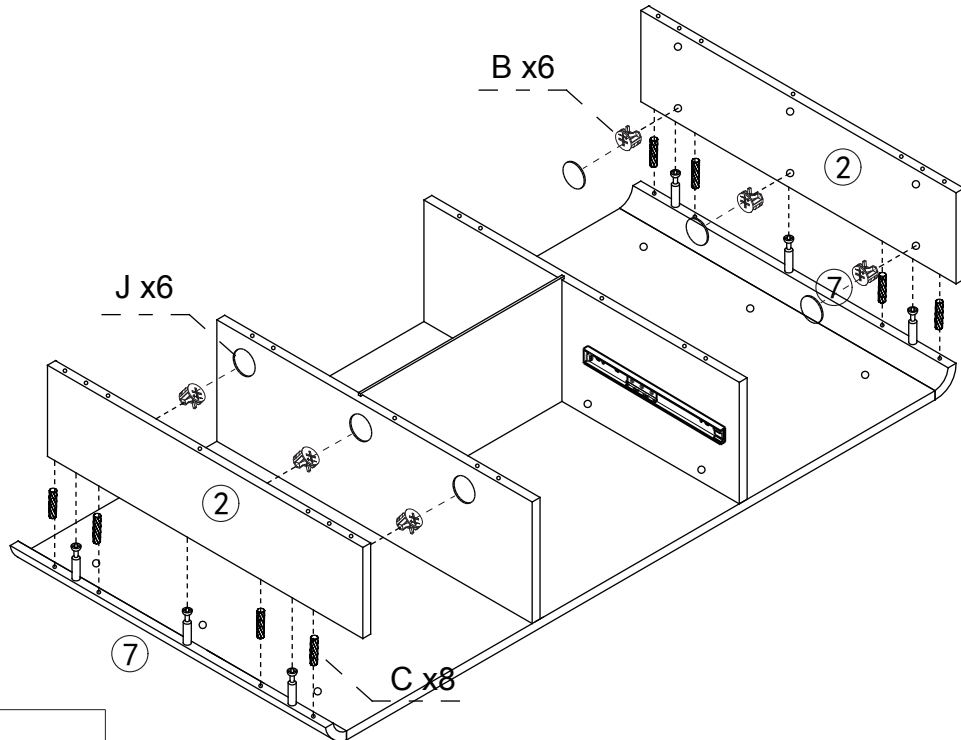
5.






| | |
|-----------------------|---|
| J |  |
| Hole stickers 6pcs | |

| | | | |
|---------------------------|--|-----------------------|--|
| B |  | C |  |
| M15x10mm Cam Lock 6pcs | | M8x30mm Dowel 8pcs | |

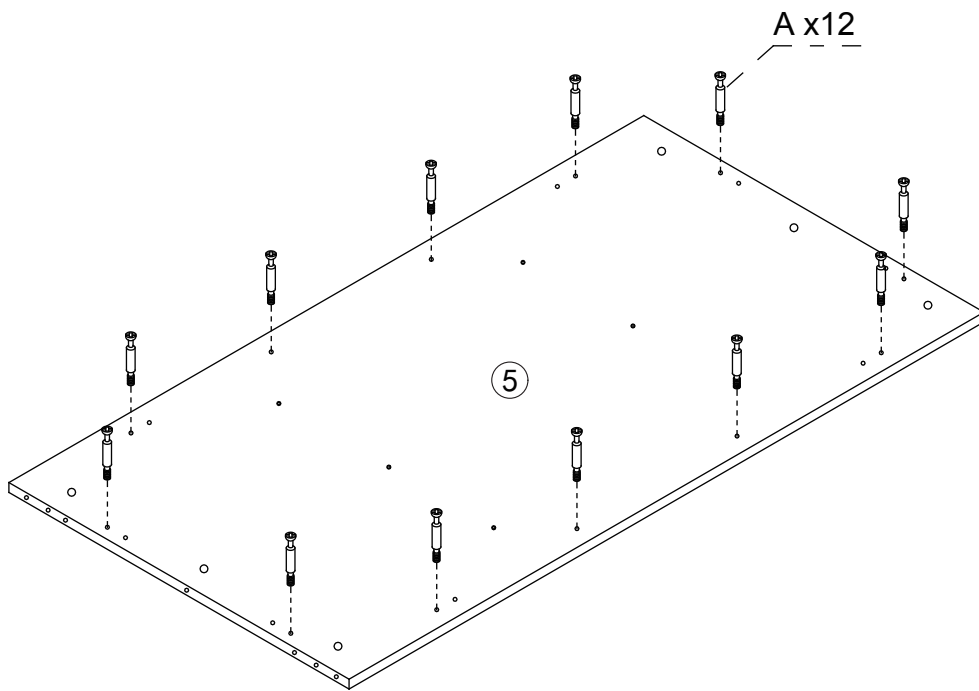
6.




| | |
|-----------------------|---|
| J |  |
| Hole stickers 6pcs | |

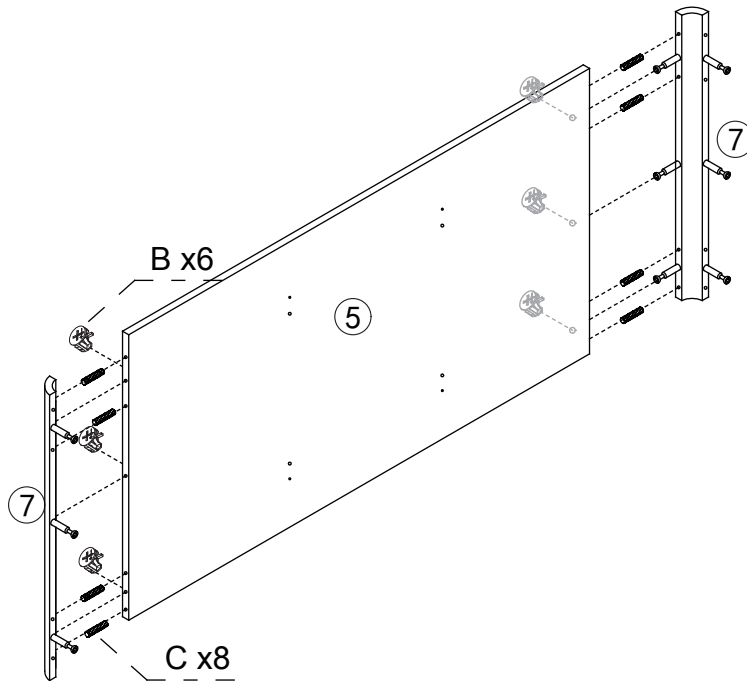
| | | | |
|---------------------------|---|-----------------------|---|
| B |  | C |  |
| M15x10mm Cam Lock 6pcs | | M8x30mm Dowel 8pcs | |



7.



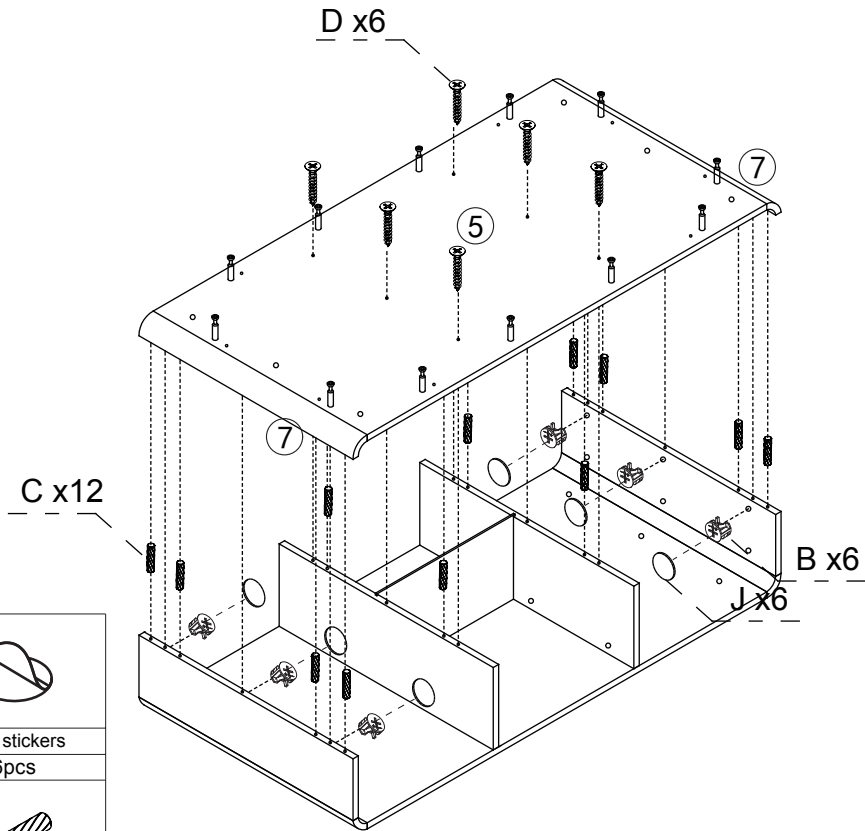
| | |
|--------------|--|
| A |  |
| M6x35mm Bolt | |
| 12pcs | |

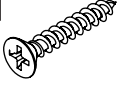



8.



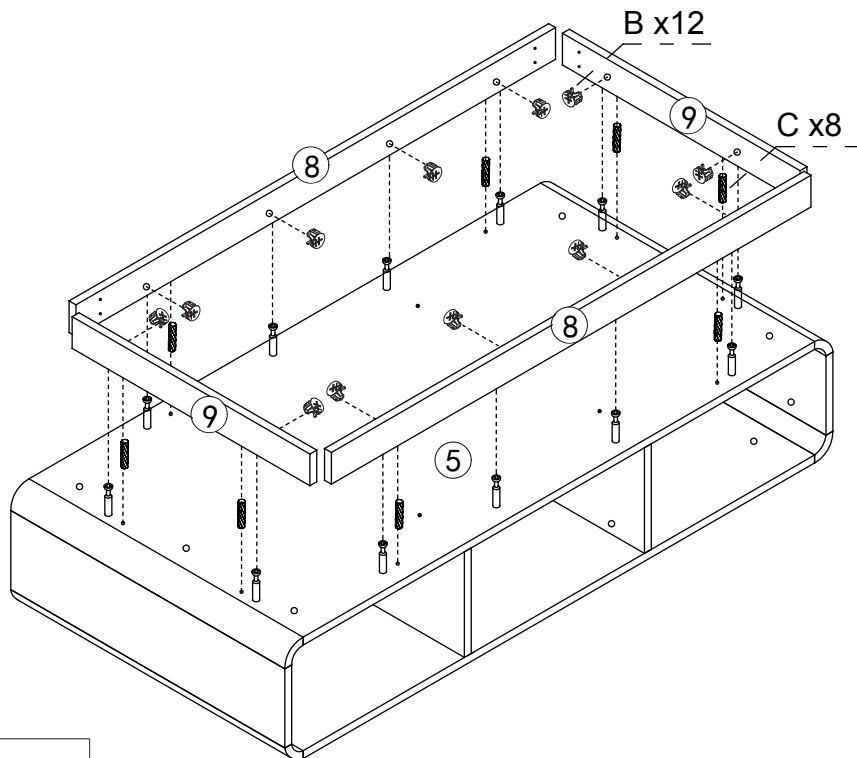
| | | | |
|-------------------|---|---------------|---|
| B |  | C |  |
| M15x10mm Cam Lock | | M8x30mm Dowel | |
| 6pcs | | 8pcs | |



9.



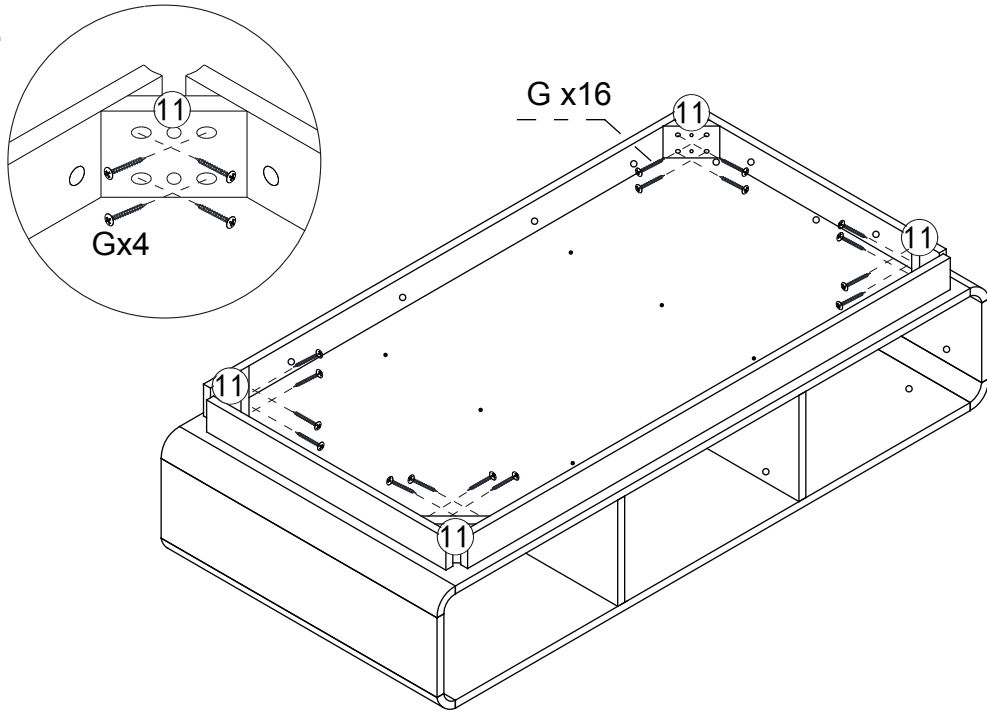
| | | | |
|---|--|---|--|
| D |  | J |  |
| | M4x35mm Screw 6pcs | | Hole stickers 6pcs |
| B |  | C |  |
| | M15x10mm Cam Lock 6pcs | | M8x30mm Dowel 12pcs |


10.



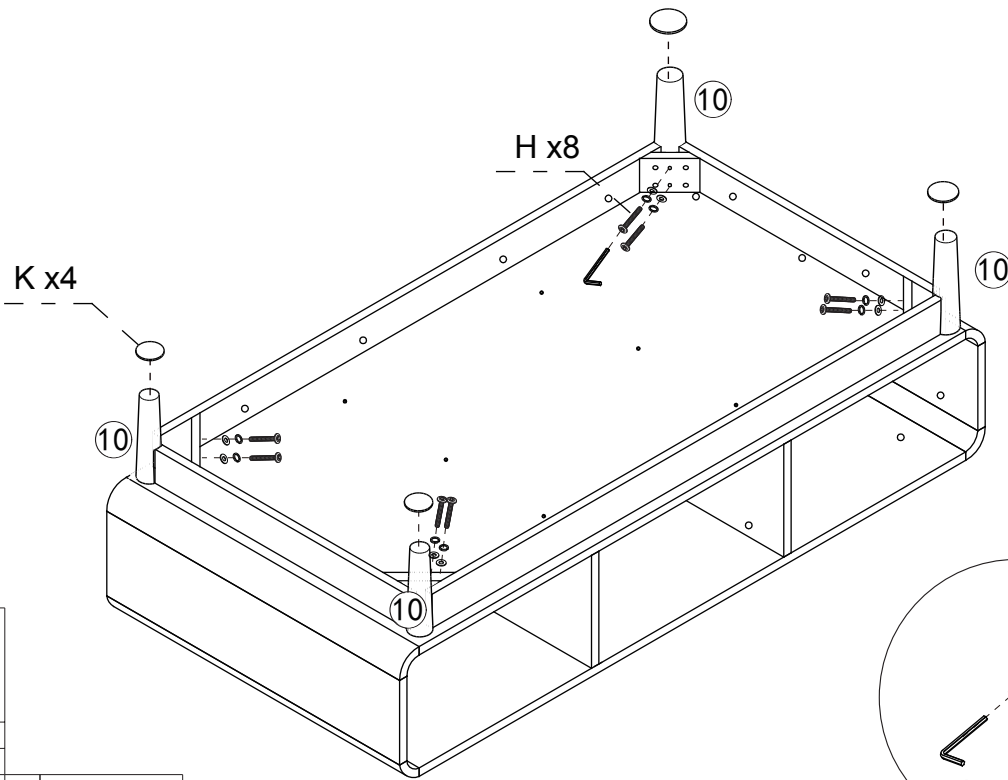
| | | | |
|---|---|---|---|
| B |  | C |  |
| | M15x10mm Cam Lock 12pcs | | M8x30mm Dowel 8pcs |


11.

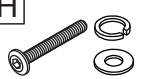


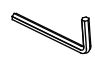
| | |
|---------------|--|
| G |  |
| M4x25mm Screw | |
| 16pcs | |

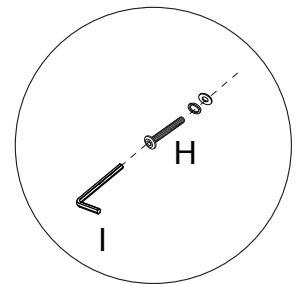
12.



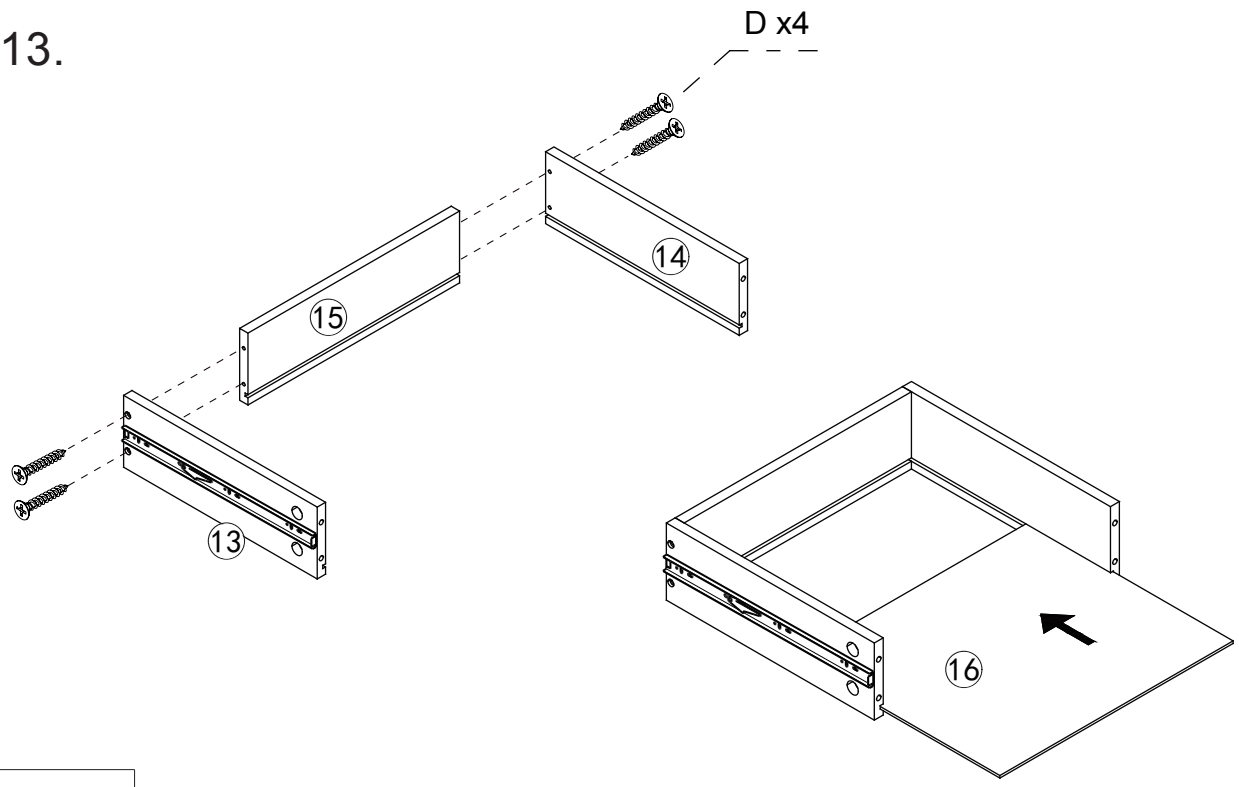
| | |
|-----------|---|
| K |  |
| Foot pads | |
| 4pcs | |

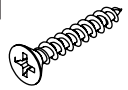
| | |
|---------------|---|
| H |  |
| M6x55mm Screw | |
| 8pcs | |

| | |
|-----------|---|
| I |  |
| Allen key | |
| 1pc | |

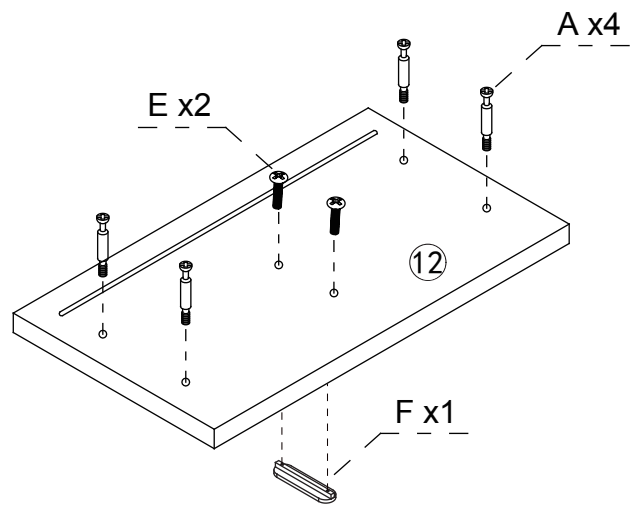




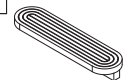
13.



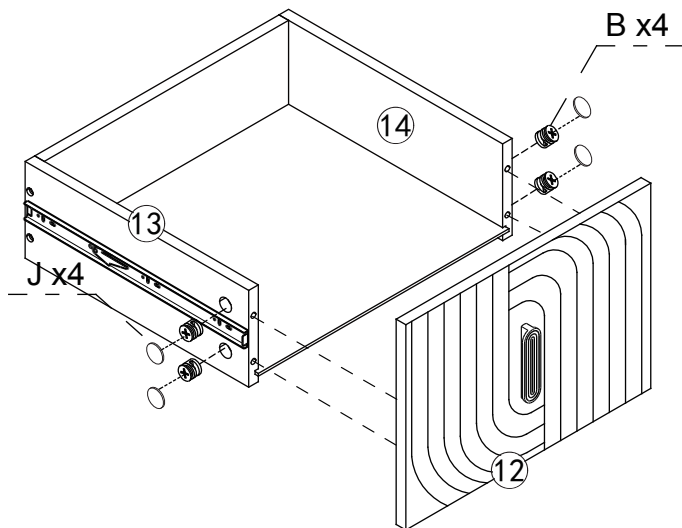
| | |
|---------------|--|
| D |  |
| M4x35mm Screw | |
| 8pcs | |



14.



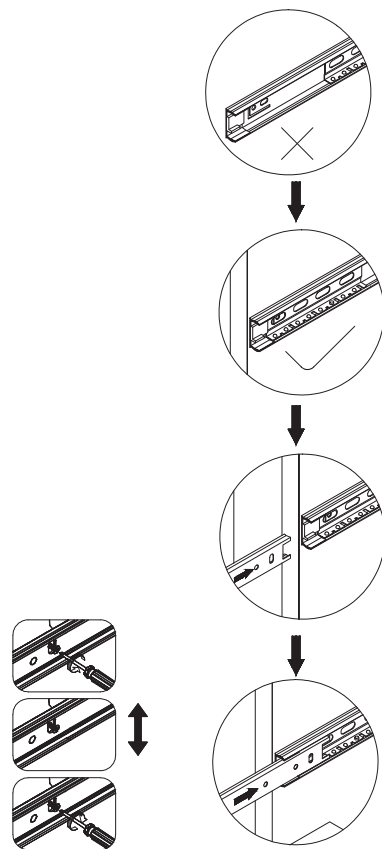
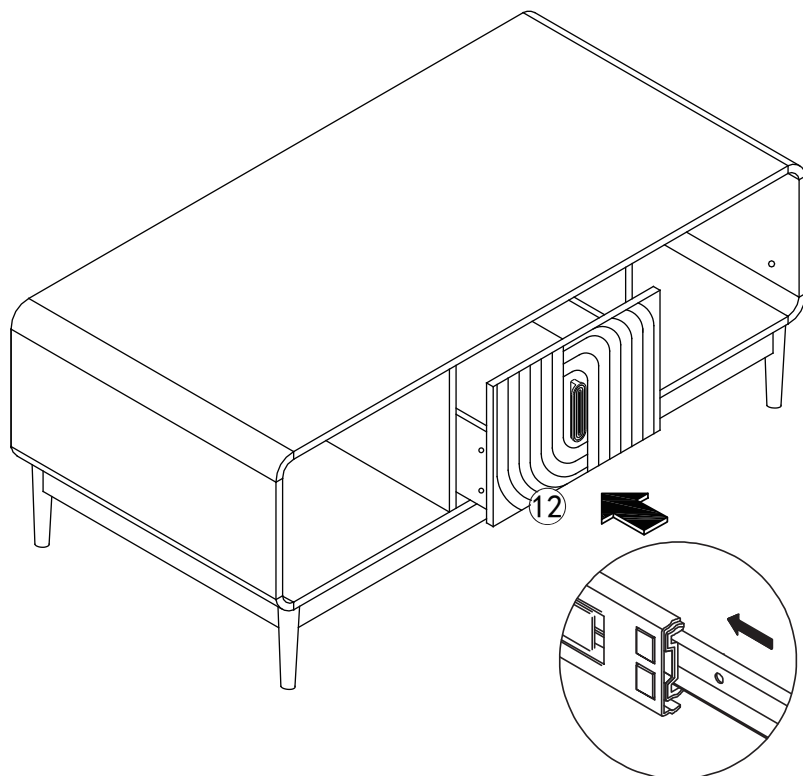
| | | | | | |
|--------------|---|---------------|---|--------|---|
| A |  | E |  | F |  |
| M6x35mm Bolt | | M4x20mm screw | | Handle | |
| 4pcs | | 2pcs | | 1pc | |

15.



| | |
|--|--|
| <p>B</p>  | <p>J</p>  |
| <p>M15x10mm Cam Lock 4pcs</p> | <p>Hole stickers 4pcs</p> |

16.



P-13-13