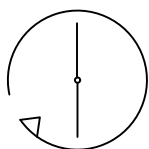
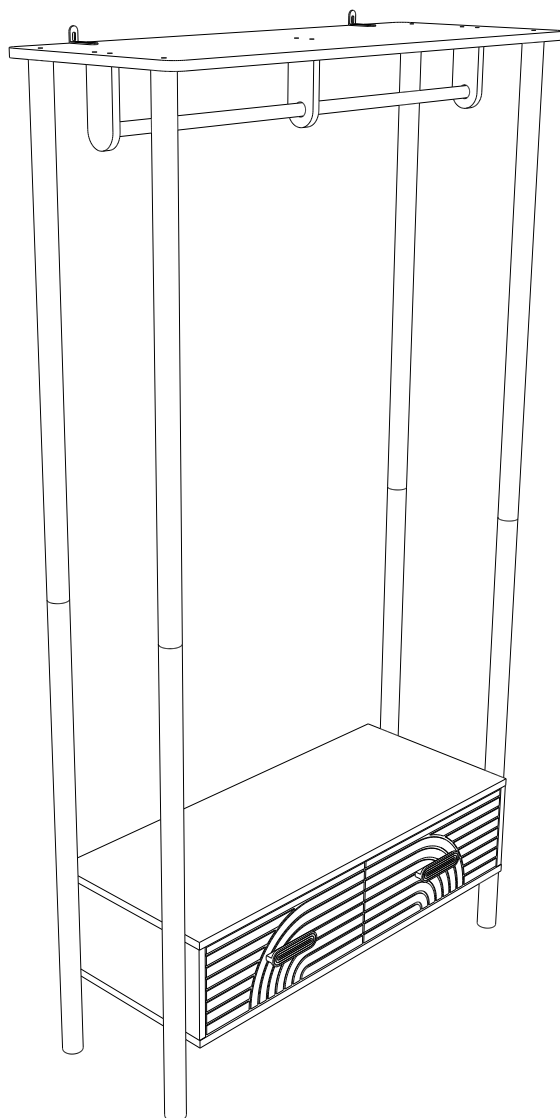


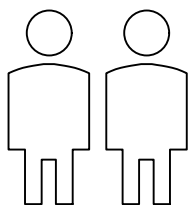
DUSK.COM
LIVING | BEDROOM | DINING

Range Name : Marnie
Box1 dimensions : W113xD47xH17cm
Product dimension : W100xD40xH180cm

Marnie Clothes Rail



Up to 60 minutes
assembly time



Two person
assembly



Electric screwdriver
prohibited

This product is intended for domestic use only, not for commercial purposes.

IMPORTANT

ASSEMBLY TIP

Before you begin, it's best to identify all of the parts and fittings to build your Marnie Clothes Rail frame. We advise laying these out on the floor to check you have everything, and to familiarise yourself with all of the parts and fittings before building.

TOP TIP

We recommend that you assemble the Marnie Clothes Rail in the room you'd like it to be located. This will help prevent any risk of damage to the frame whilst moving it.

SAFETY AND CARE

It's important to ensure children and animals are kept away from the assembly area, as there are small components used in this product which could present a choking hazard. All plastic and wrapping materials should also be kept away from children and animals to prevent any risk of suffocation.

HELP AND SUPPORT

Please contact our customer service team on 0113 519 0311 if you have any questions or issues with your purchase.

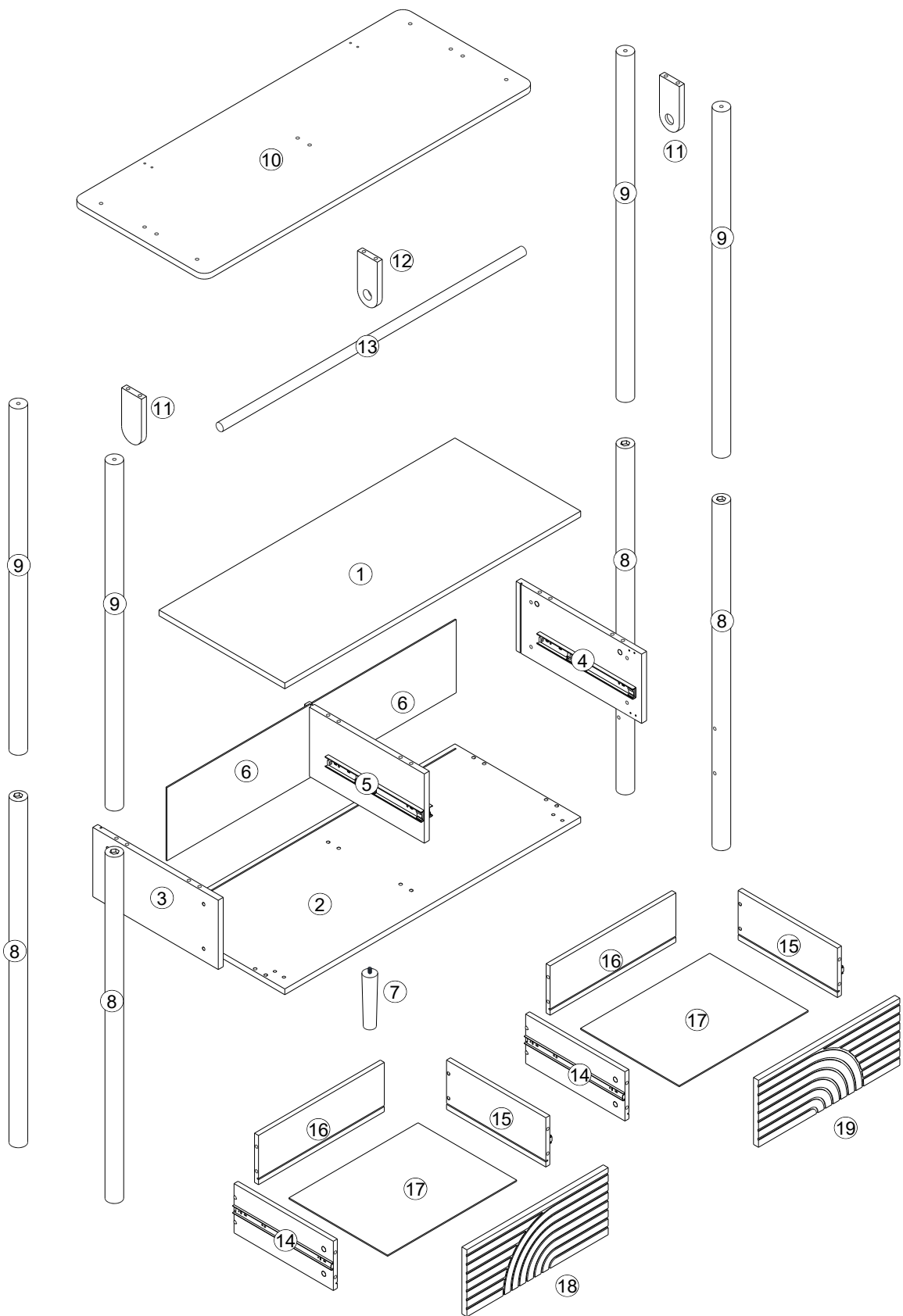
RECYCLING

Please ensure that packaging is disposed of in a safe and environmentally friendly way, and recycle where possible. Please keep your assembly instructions safe to refer back to in the future.

CARE AND MAINTENANCE:

1. Only clean using a damp cloth, do not use bleach or abrasive cleaners as they may damage the finish over time.
2. Do not use a very wet cloth or allow any liquid to contact with the veneer for a long period of time. Wipe any spillage immediately. Absorption can cause wood to warp or finishes to de-laminate.
3. Do not scrub or rub the surface when cleaning.
4. Do not drag the Marnie Clothes Rail when moving, lift it off the floor instead.
5. Use a placemat or a coaster when putting hot items (e.g. hot drinks and dishes) on the wood surface.
6. It is not recommended to place the item next to sources of heat such as radiators, fires or directly exposed to sunlight. This may cause the wood to crack, split or fade due to the heat and humidity.
7. Wood will mellow and change colour over time, we recommend that ornaments and items placed on the surface to be moved regularly to prevent uneven mellowing.
8. Regularly check all fixings to ensure none have come loose. Re-tighten if necessary.
9. Avoid sharp items such as a screwdriver or any pointy tools.
10. Dispose of all packaging carefully and responsibly - recycle where possible.

Parts list



Parts list



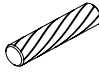
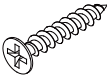
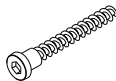


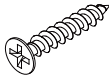
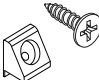



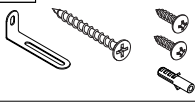


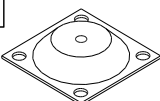

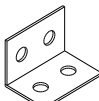

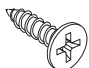
Before you begin building your Marnie Clothes Rail, please take a moment to read through the instructions and make sure that you have all the relevant parts listed on the parts check list.

Part Number	Part Description	Quantity	Box No
①	Middle panel	1 pc	Box 1
③	Left side panel with slide pre-assembled	1 pc	Box 1
⑤	Center Partition Panel	1 pc	Box 1
⑦	Middle leg	1 pc	Box 1
⑨	Upper side rods	4 pcs	Box 1
⑪	Side curved block	2 pcs	Box 1
⑬	Top rod	1 pc	Box 1
⑮	Drawer right panel With slide pre-assembled	2 pcs	Box 1
⑰	Drawer bottom	2 pcs	Box 1
⑲	Right drawer front	1 pcs	Box 1




Part Number	Part Description	Quantity	Box No
②	Bottom panel	1 pc	Box 1
④	Right side panel with slide pre-assembled	1 pc	Box 1
⑥	Back panel	2 pcs	Box 1
⑧	Lower side rods	4 pcs	Box 1
⑩	Top panel	1 pc	Box 1
⑫	Middle curved block	1 pc	Box 1
⑭	Drawer left panel With slide pre-assembled	2 pcs	Box 1
⑯	Drawer back	2 pcs	Box 1
⑱	Left drawer front	1 pcs	Box 1

Fittings

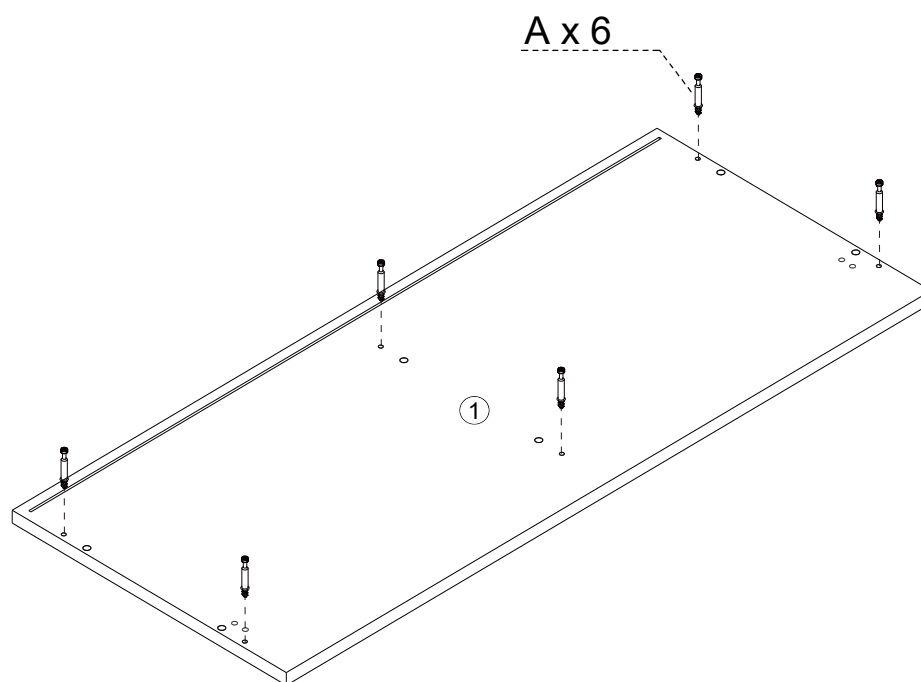
Please check you have all the fittings listed below with your product in Box 1.


<p>A</p>  <p>M6x35mm Bolt 14pcs+1pc extra</p>	<p>B</p>  <p>M15x10mm CamLock 14pcs+1pc extra</p>	<p>C</p>  <p>M8x30mm Dowel 12pcs+1pc extra</p>	<p>D</p>  <p>M4x40mm Screw 6pcs</p>	<p>E</p>  <p>M6x40mm Screw 18pcs+1pc extra</p>
<p>F</p>  <p>Foot pads 4pcs</p>	<p>G</p>  <p>Hole stickers 8pcs</p>	<p>H</p>  <p>M4x35mm Screw 8pcs+1pc extra</p>	<p>I</p>  <p>Back plate buckle 8pcs+1pc extra</p>	<p>J</p>  <p>M4x18mm Screw 4pcs</p>
<p>K</p>  <p>Handle 2pcs</p>	<p>L</p>  <p>Allen Key 1pcs</p>	<p>M</p>  <p>Wall anchor kit 2sets</p>	<p>N</p>  <p>M4x12mm Screw 4pcs</p>	<p>O</p>  <p>Adjustable Footpad 1pcs</p>
<p>P</p>  <p>Gasket 1pcs</p>	<p>Q</p>  <p>M8x50mm Screw 4pcs</p>	<p>R</p>  <p>L-Bracket 4pcs</p>	<p>S</p>  <p>Washer 8pcs</p>	<p>T</p>  <p>M3.5x14mm Screw 16pcs+1pc extra</p>

Pre-assembled Fittings.

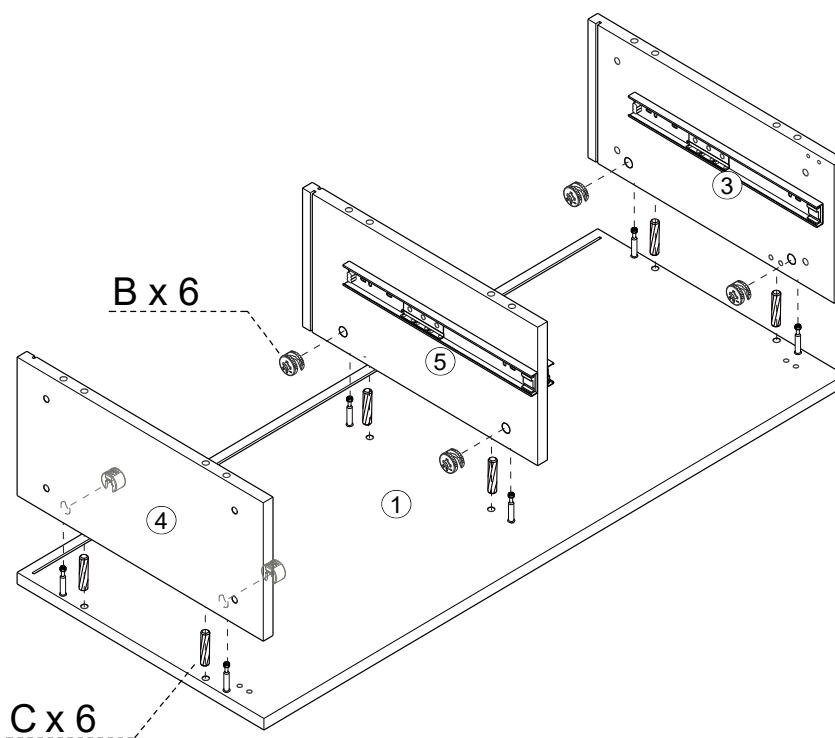
<p>U1</p>  <p>Slide Pre-assembled 4pcs</p>	<p>U2</p>  <p>Slide Pre-assembled 4pcs</p>	<p>N</p>  <p>M3.5*12mm Screw 24pcs</p>
--	--	--


1.




A	
M6x35mm Bolt 6pcs	

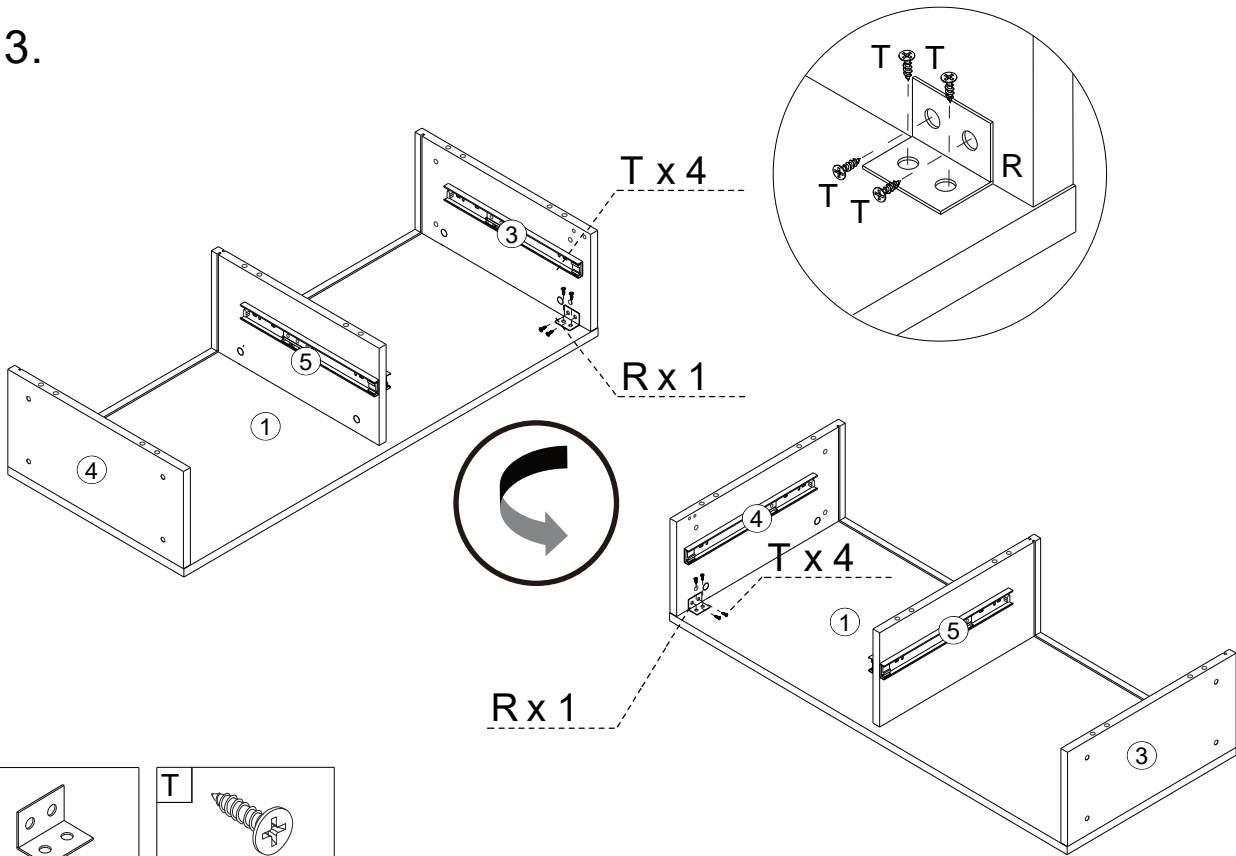
2.

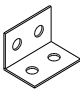
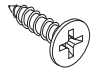


B	
M15x10mm CamLock 6pcs	

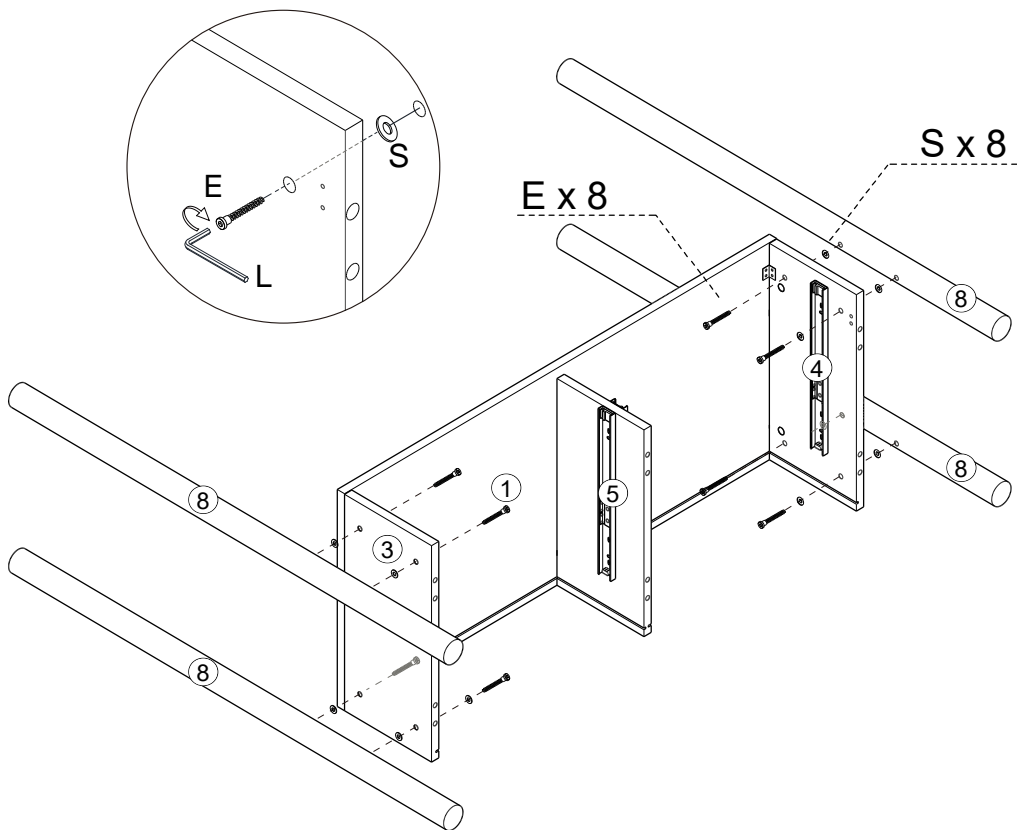
C	
M8x30mm Dowel 6pcs	


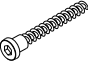

3.



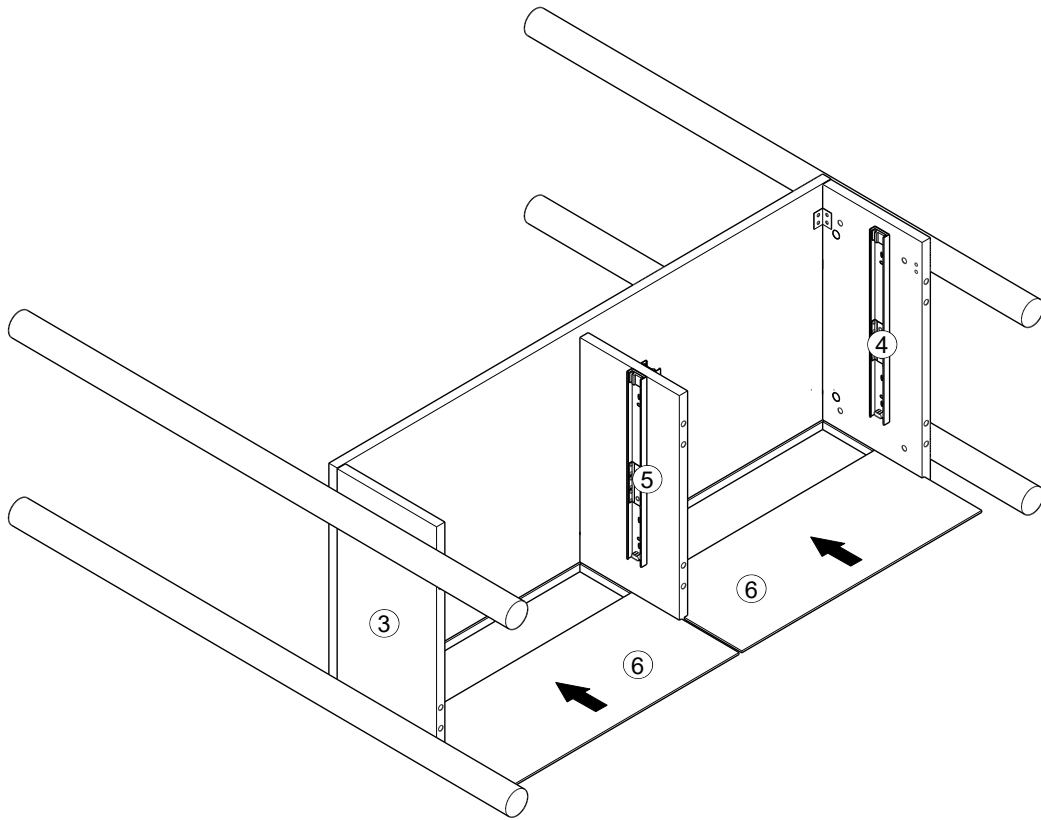
R	T
	
L-Bracket 2pcs	M3.5x14mm Screw 8pcs

4.

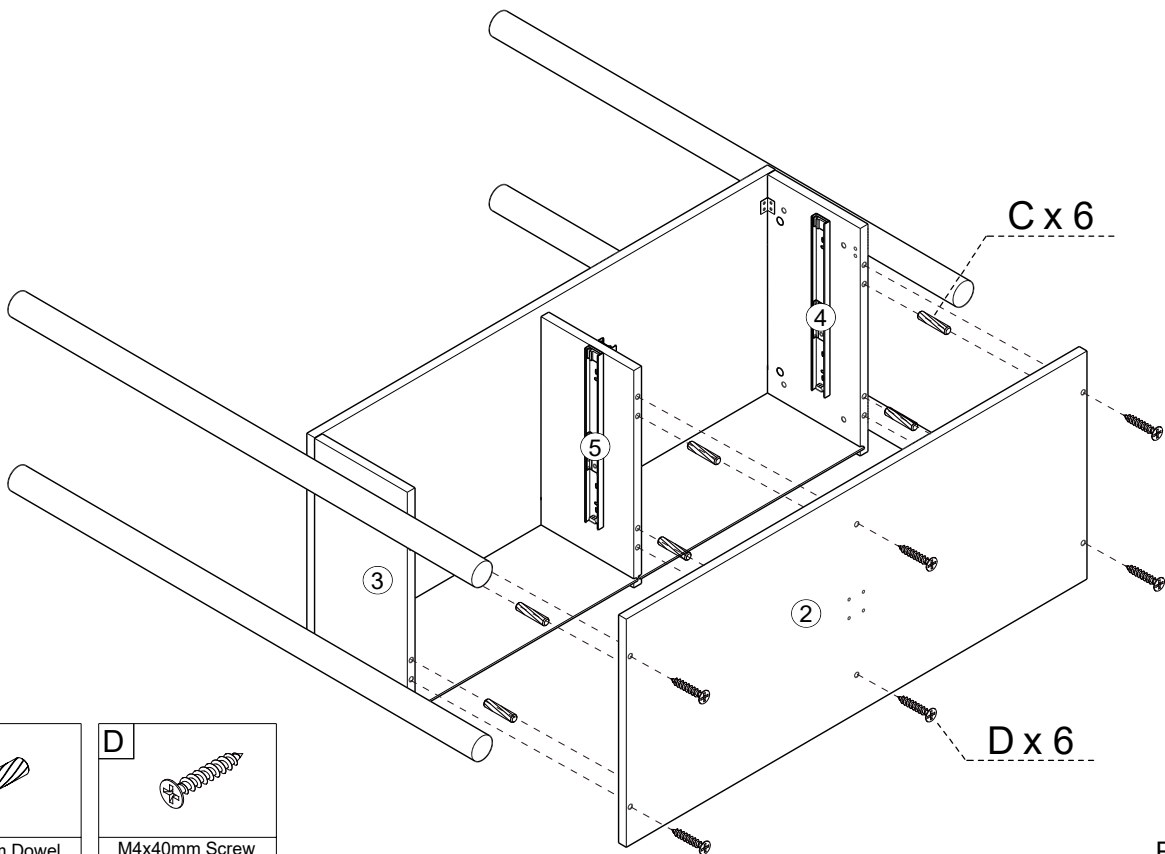


S

Washer 8pcs
E

M6x40mm Screw 8pcs
L

Allen Key 1pcs

5.

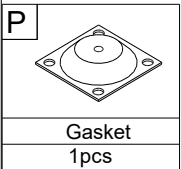
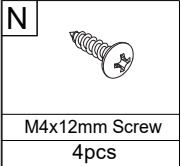
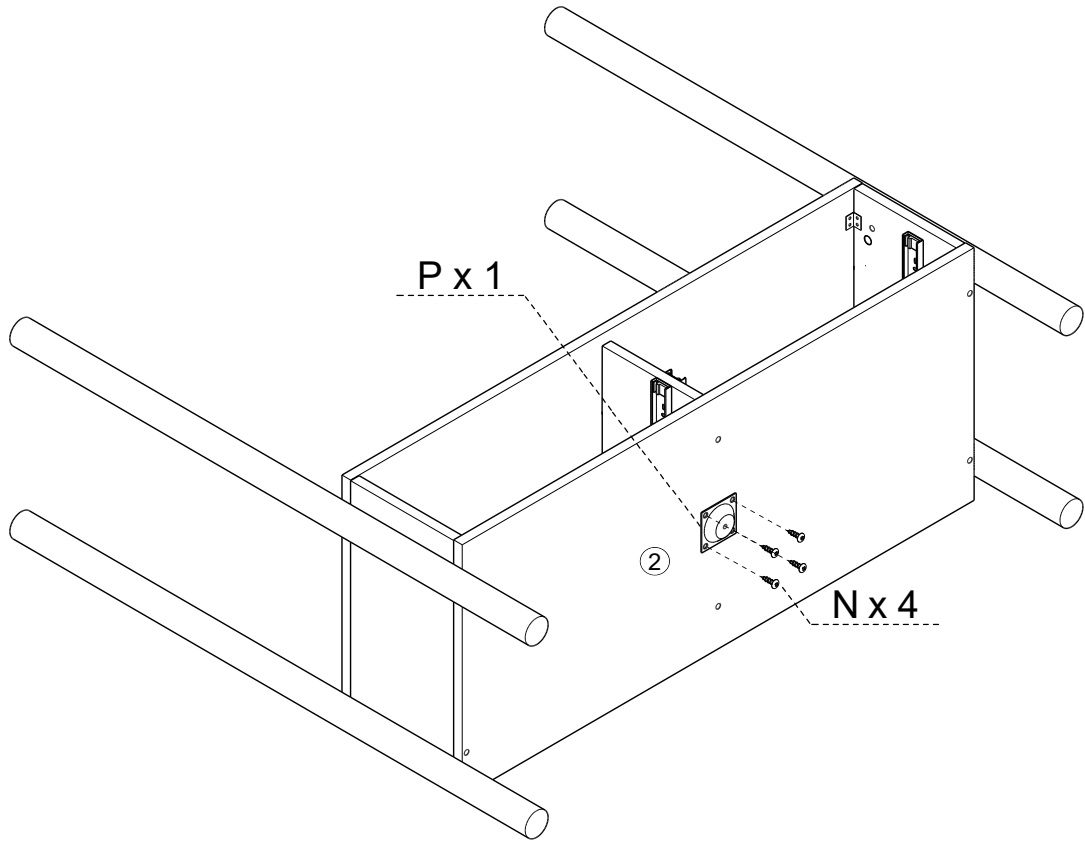


6.

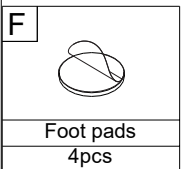
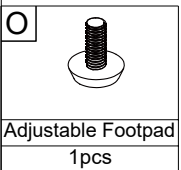
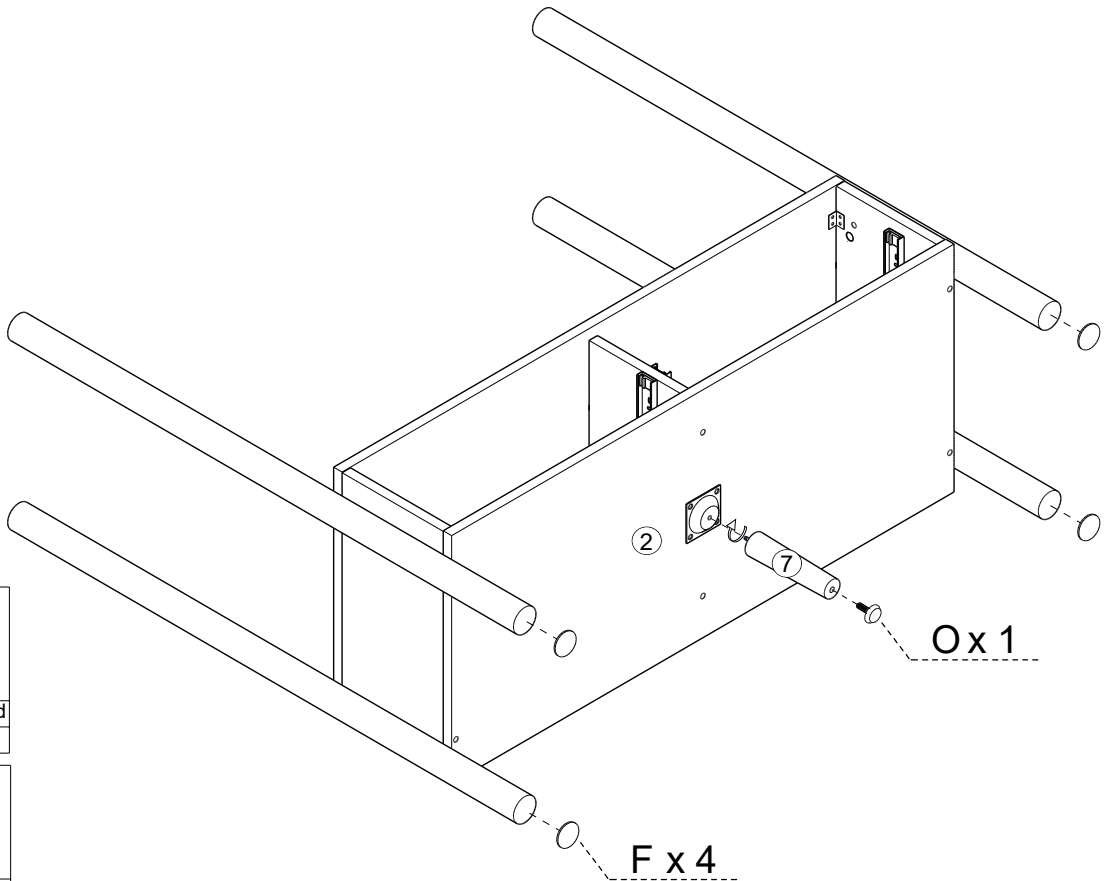


C		D	
M8x30mm Dowel 6pcs		M4x40mm Screw 6pcs	

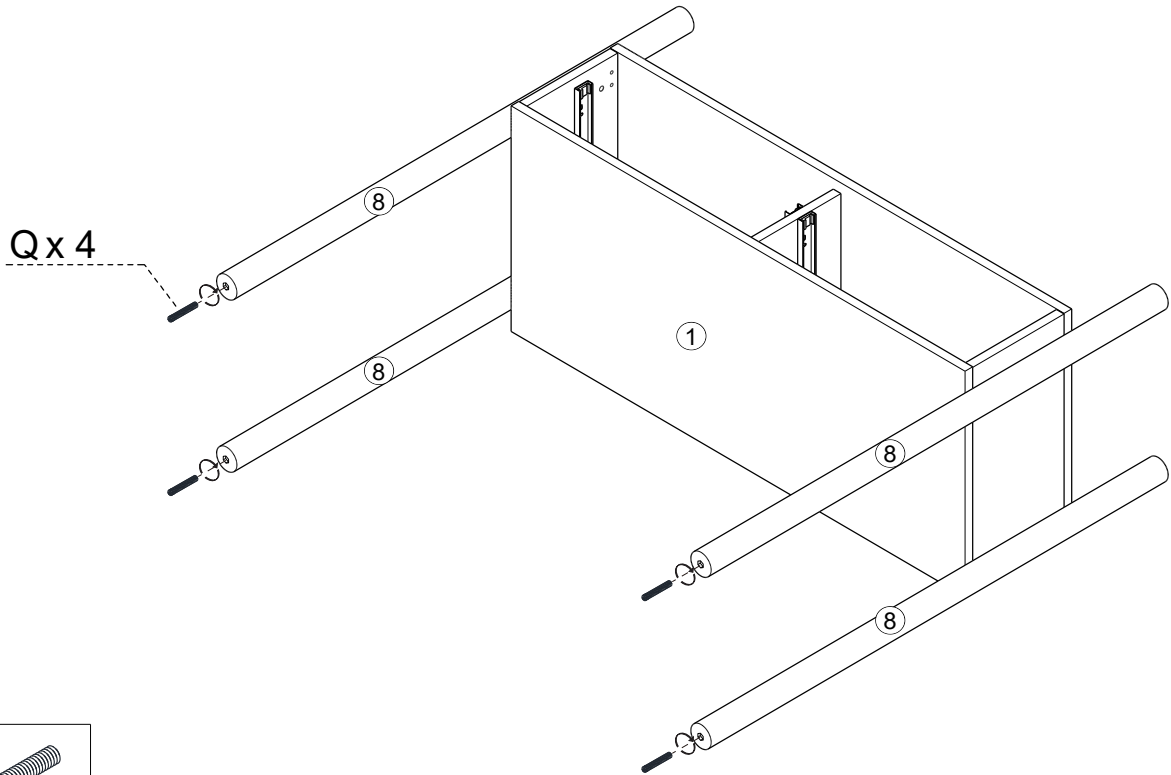
7.




8.

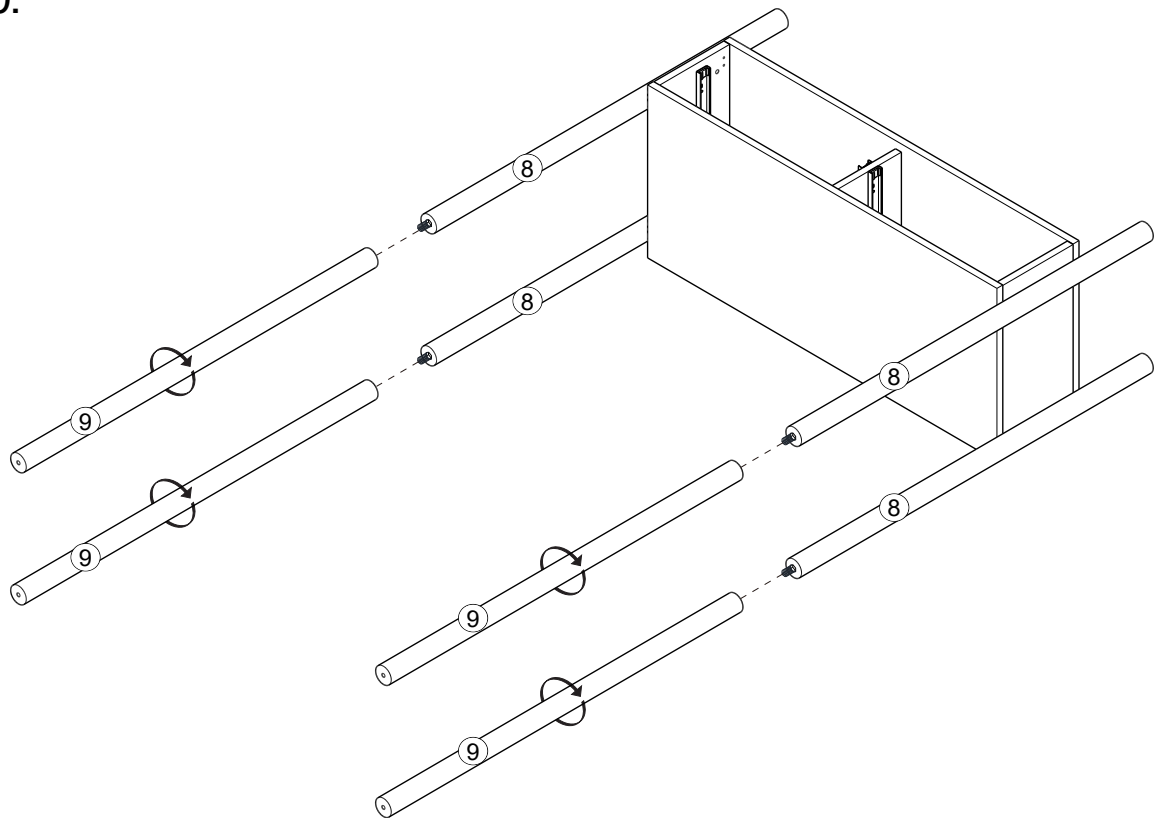


9.

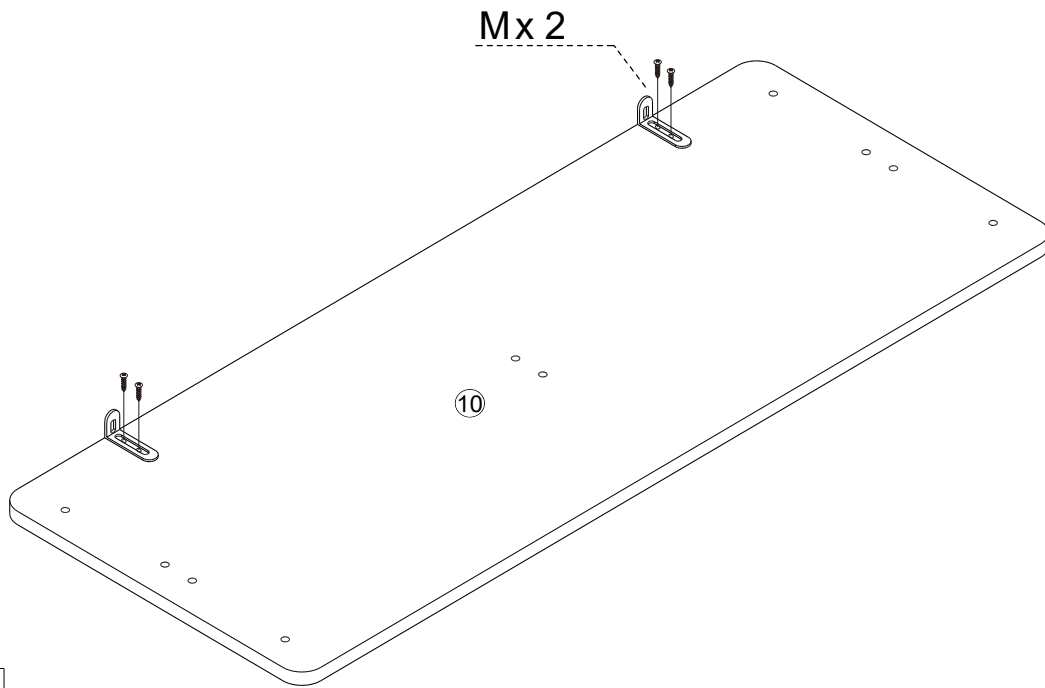


Q	
M8x50mm Screw	
4pcs	

10.

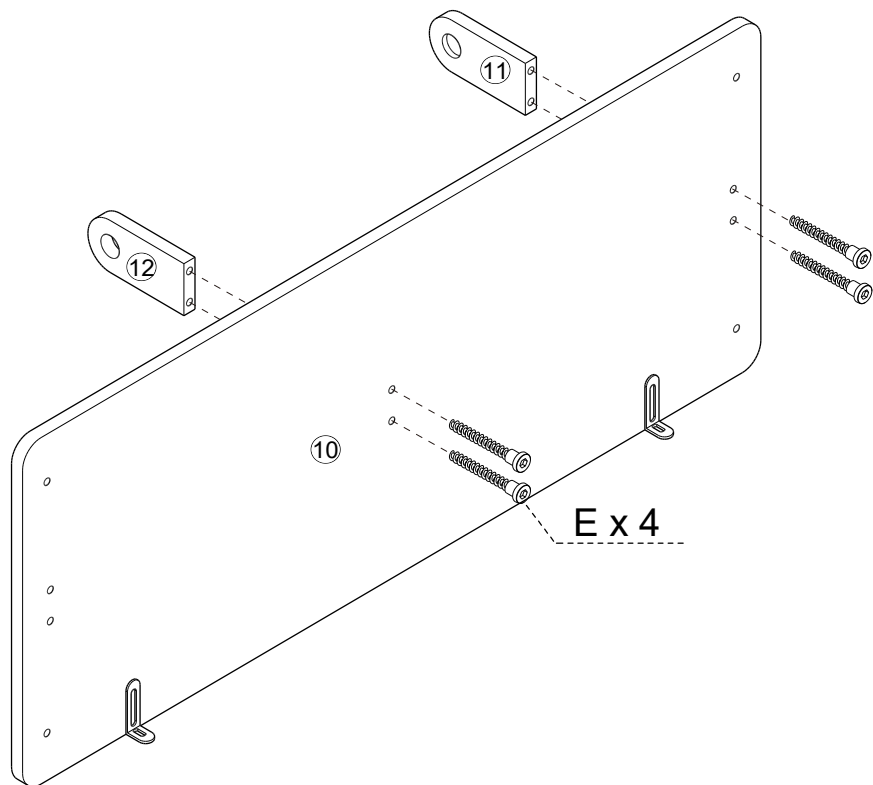


11.



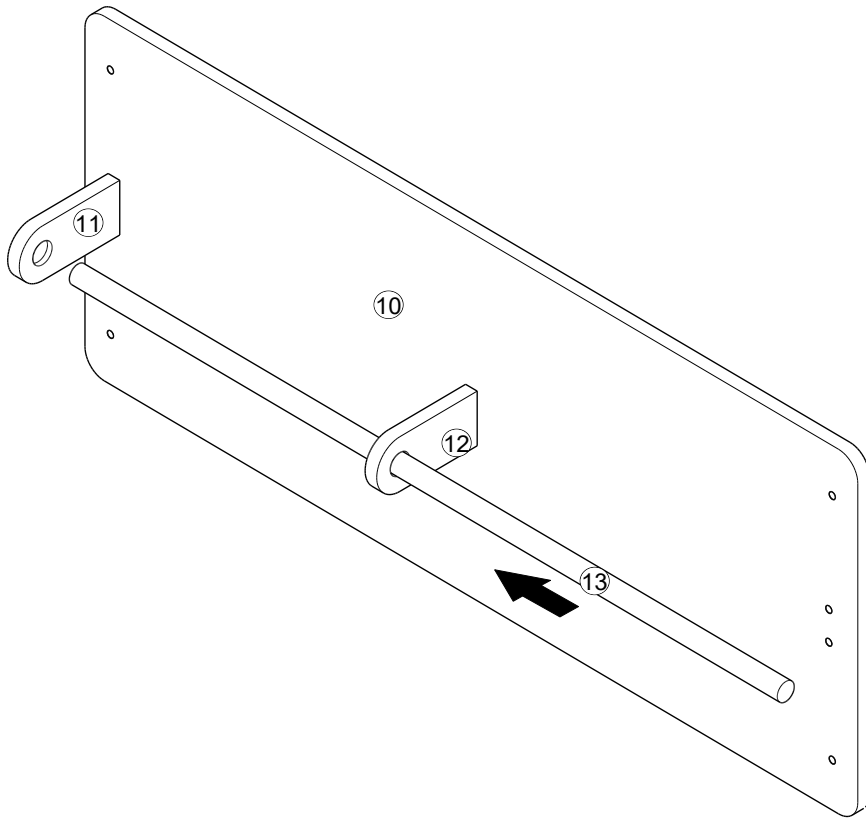
M	
Wall anchor kit	
2sets	

12.

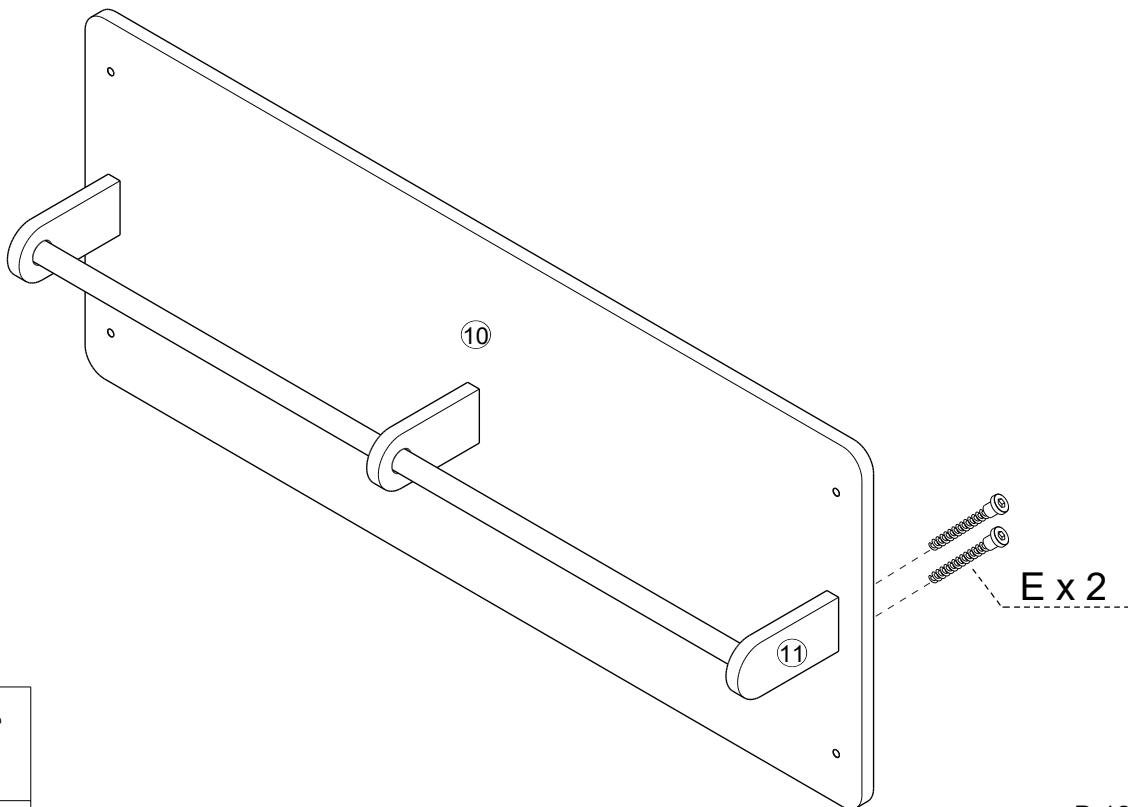


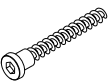
E	
M6x40mm Screw	
4pcs	

13.

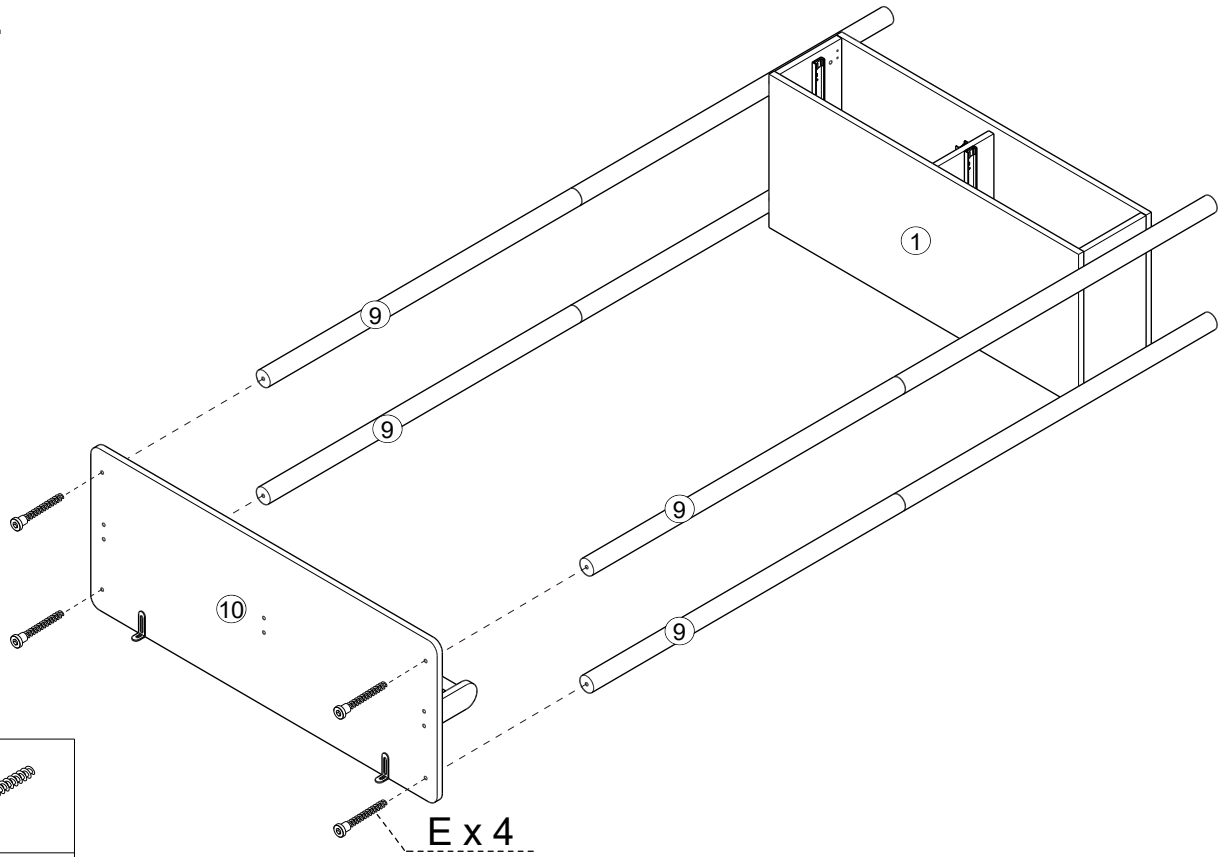



14.



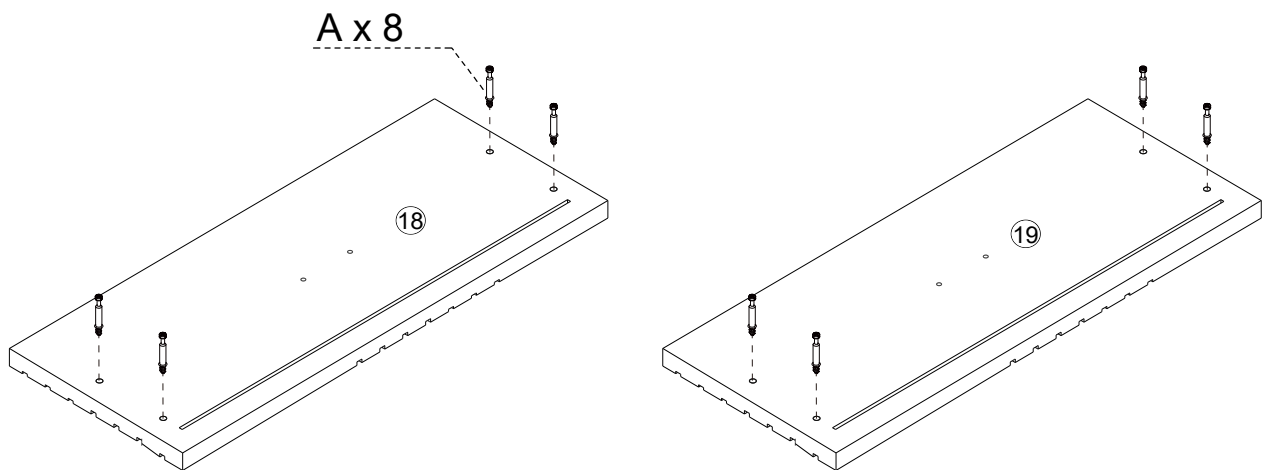
E

M6x40mm Screw
2pcs


15.



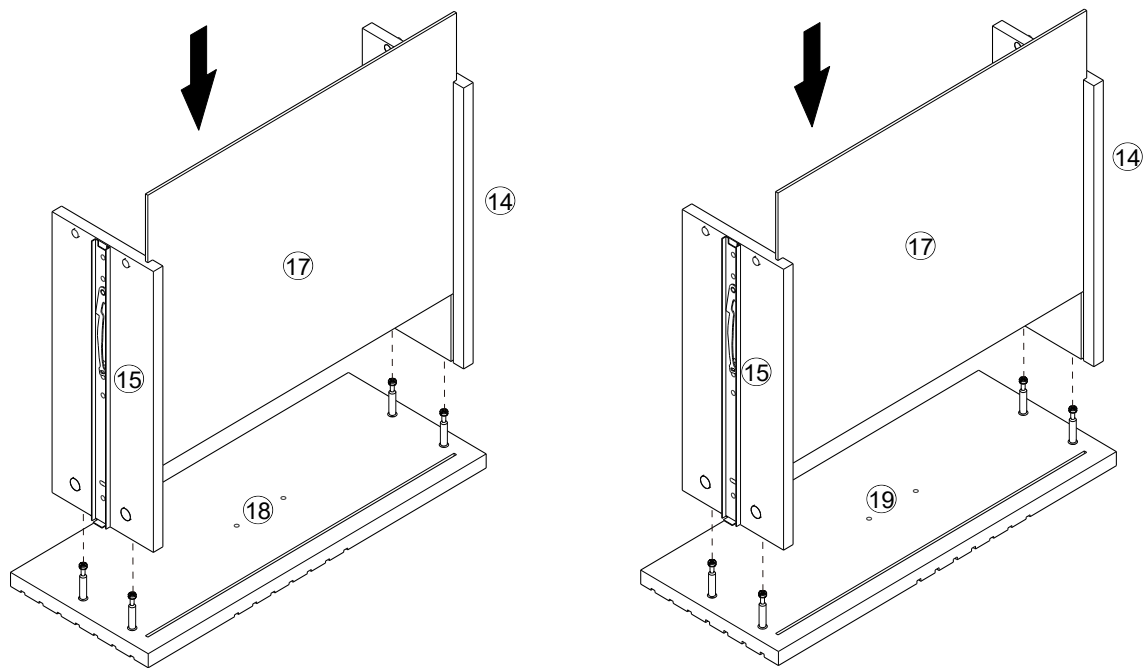
E

M6x40mm Screw
4pcs

16.

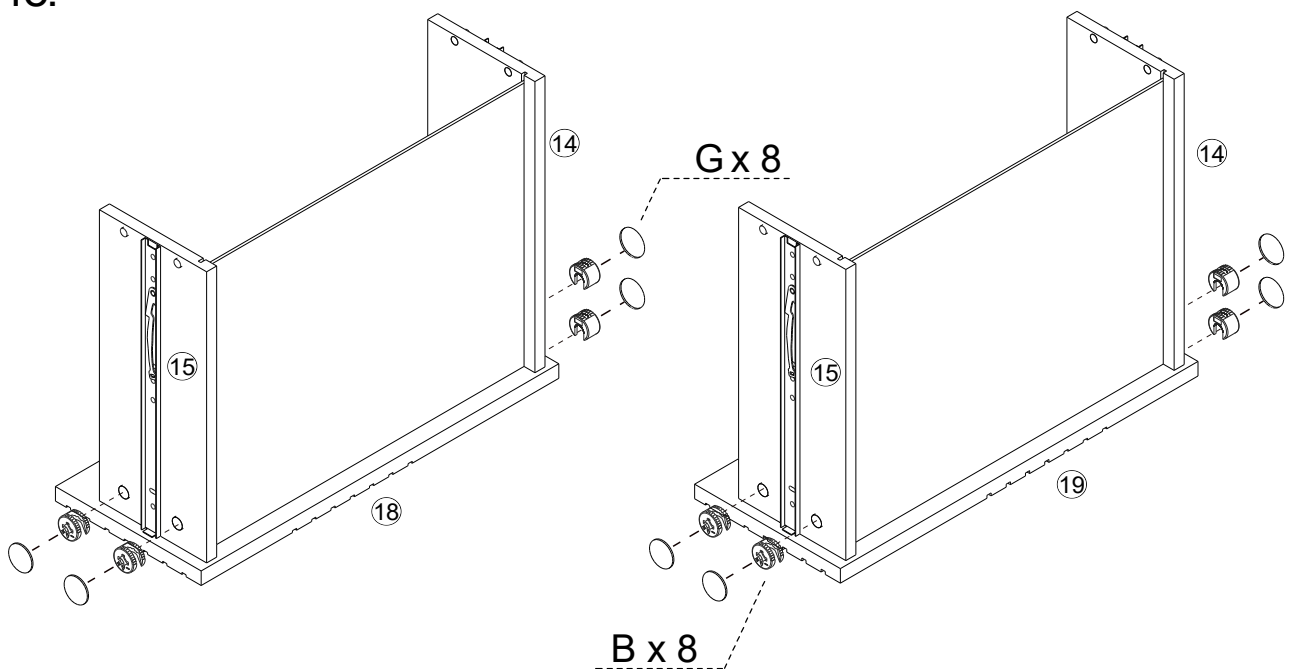




A

M6x35mm Bolt
8pcs

17.

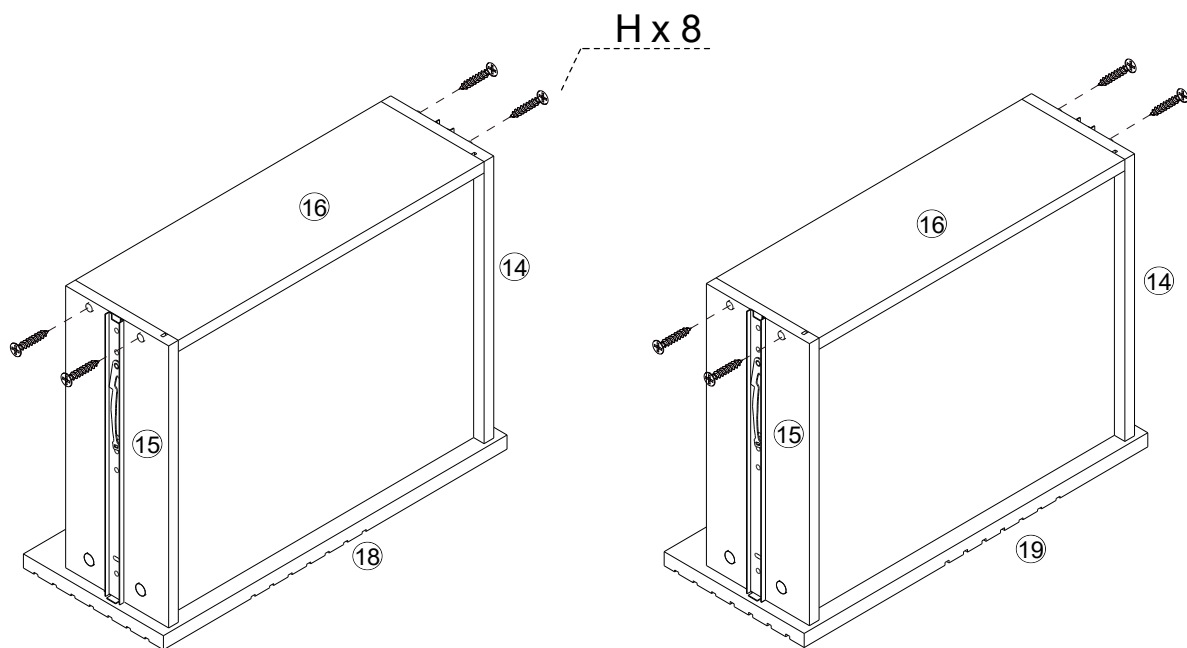


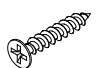
18.



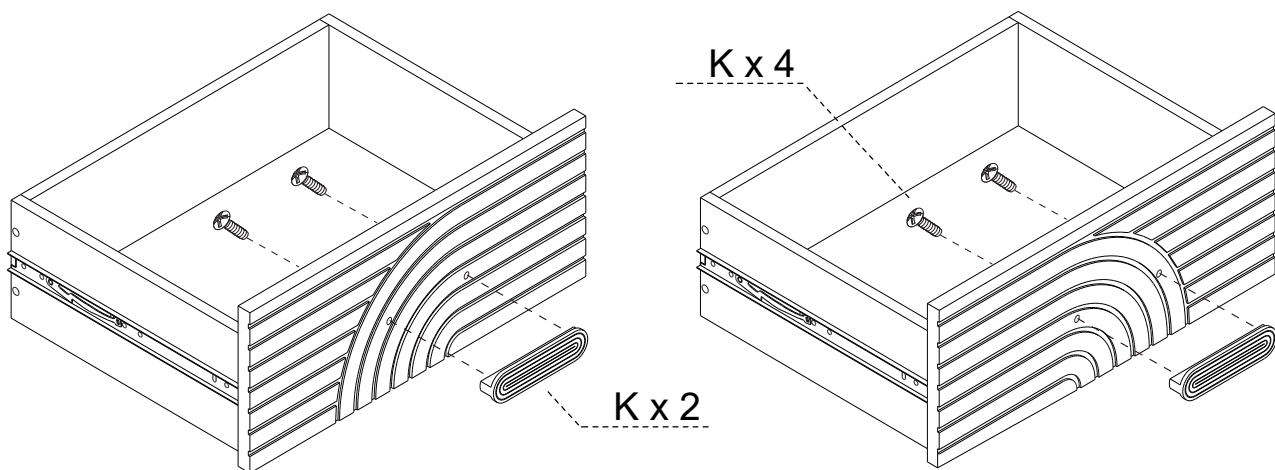
G		B	
Hole stickers		M15x10mm CamLock	
8pcs		8pcs	


19.




H	
M4x35mm Screw	
8pcs	

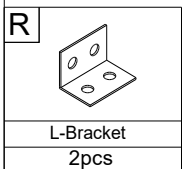
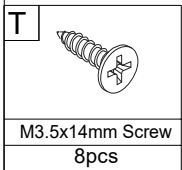
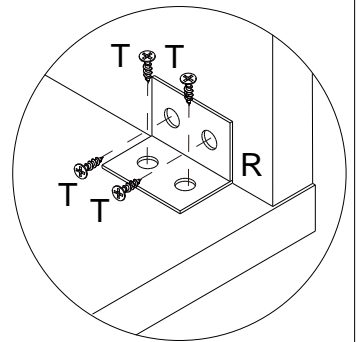
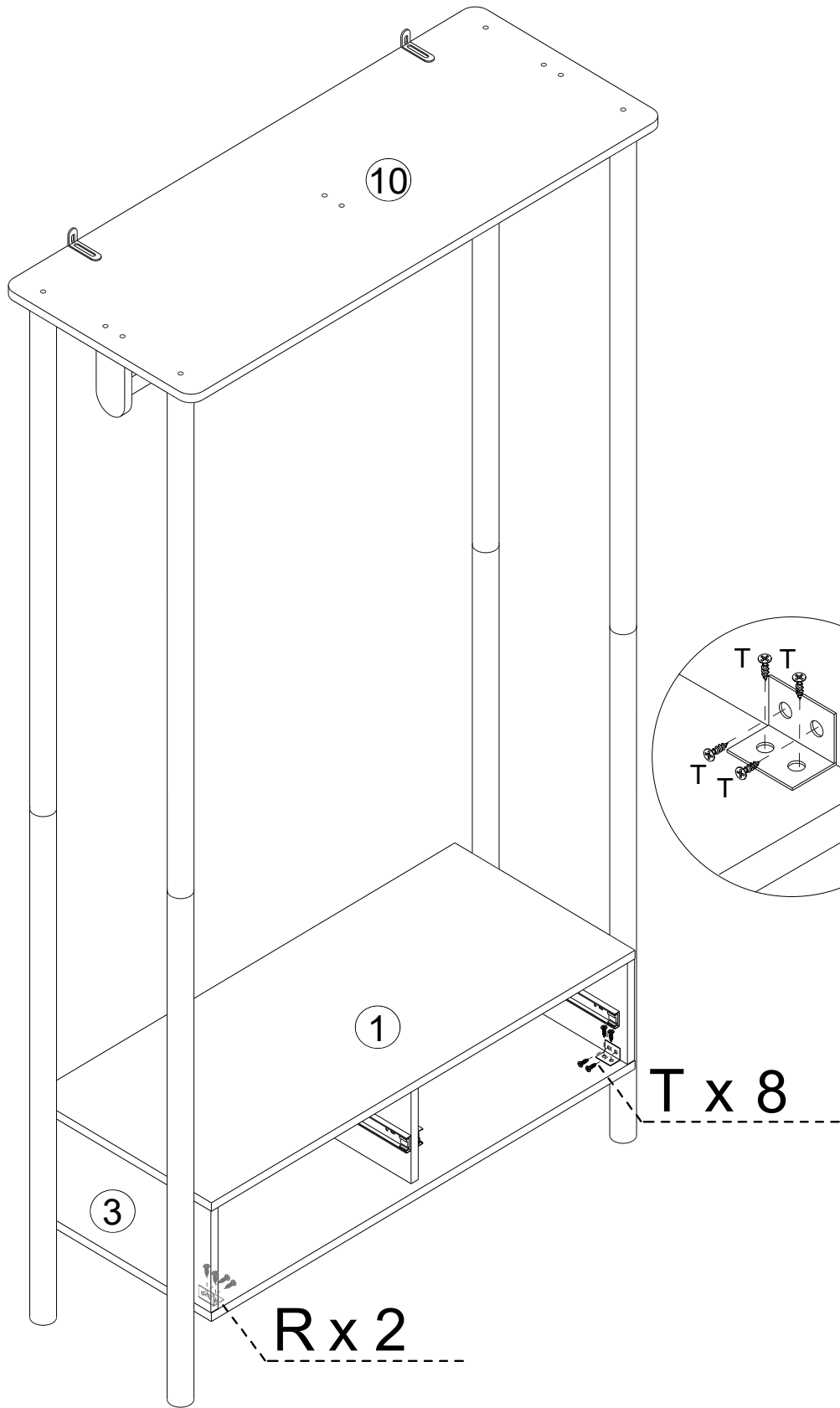
20.



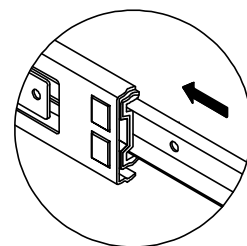
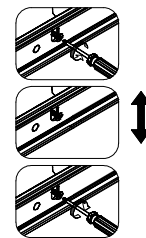
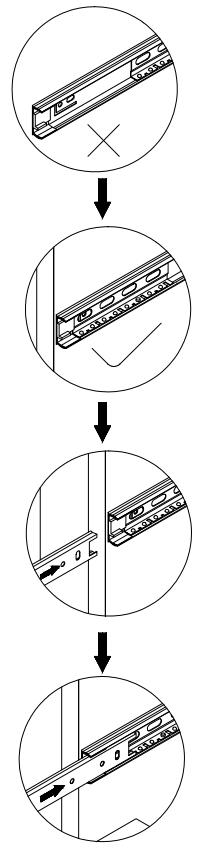
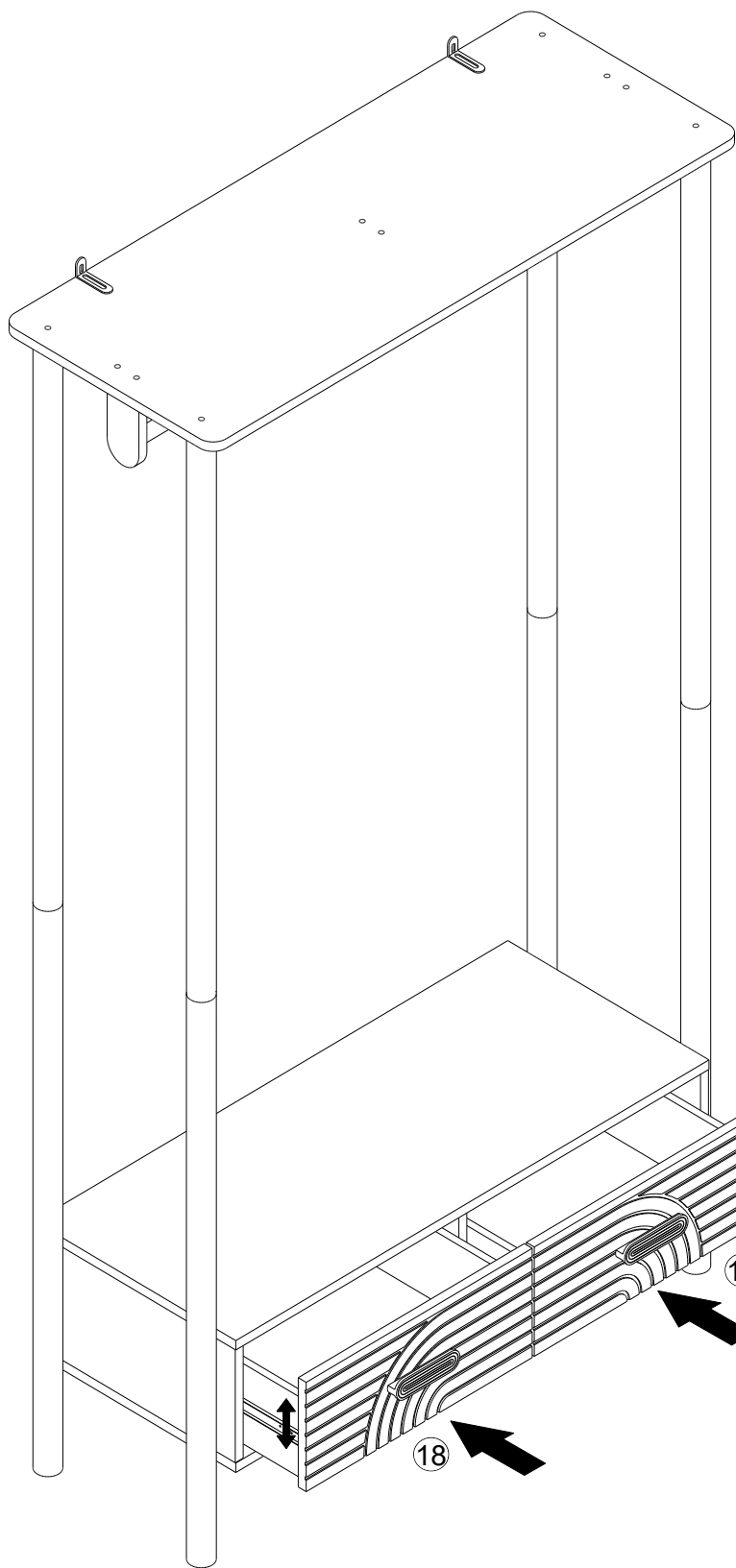
K	
Handle	
2pcs	

J	
M4x18mm Screw	
4pcs	

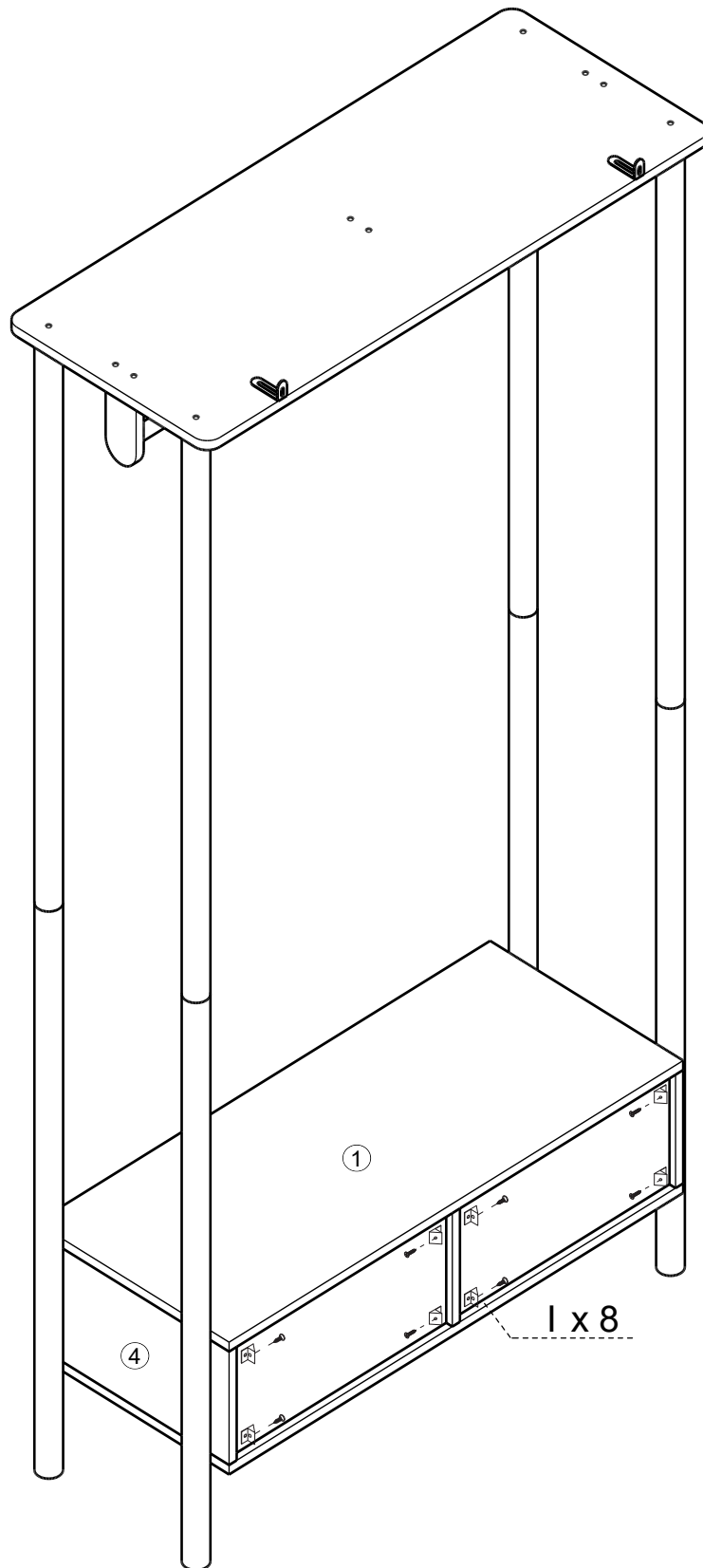
21.

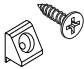


22.

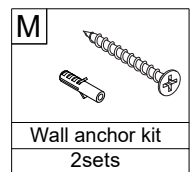
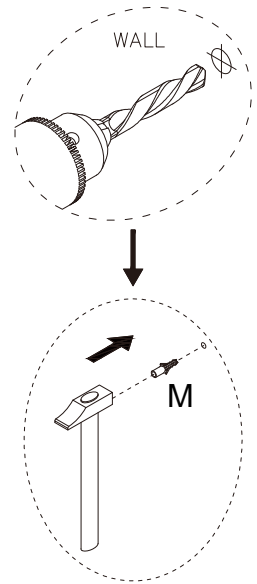
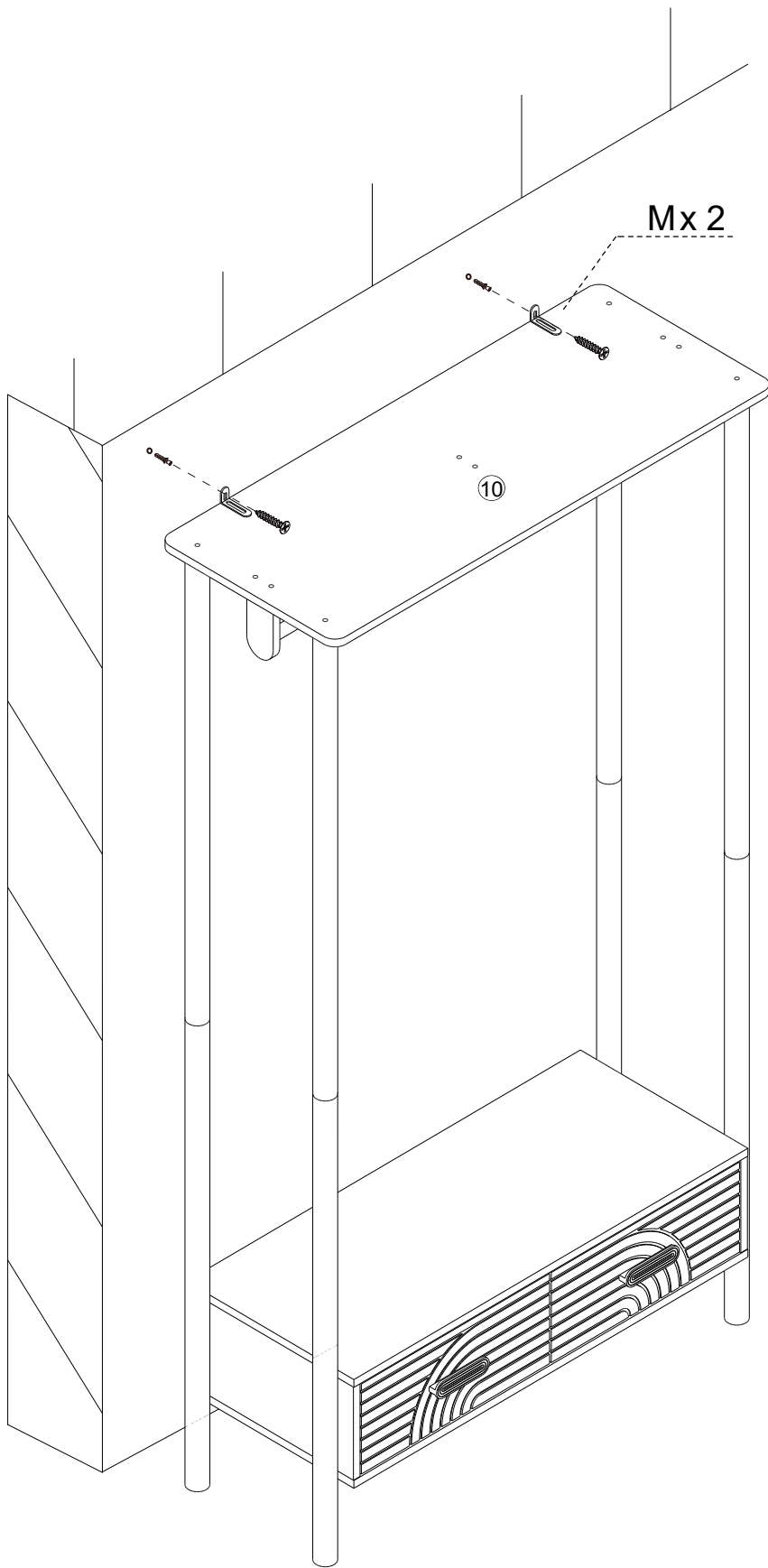


23.



I

Back plate buckle 8pcs

24.



P-19-19