

DUSK.COM

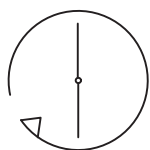
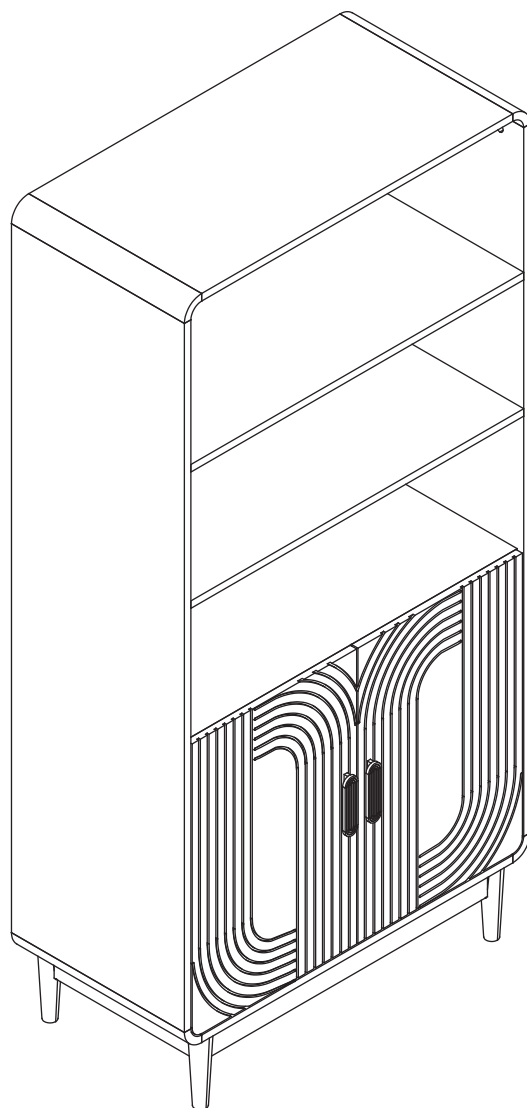
LIVING | BEDROOM | DINING

Range Name : Marnie

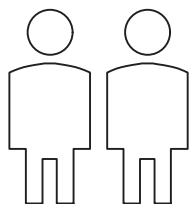
Box dimensions : W159xD49xH17.5cm

Product dimensions : W80xD40xH165cm

Marnie Bookshelf



Up to 120 minutes
assembly time



Two person
assembly



Electric screwdriver
prohibited

This product is intended for domestic use only, not for commercial purposes.

IMPORTANT

ASSEMBLY TIP

Before you begin, it's best to identify all of the parts and fittings to build your Marnie Bookshelf frame. We advise laying these out on the floor to check you have everything, and to familiarise yourself with all of the parts and fittings before building.

TOP TIP

We recommend that you assemble the Marnie Bookshelf in the room you'd like it to be located. This will help prevent any risk of damage to the frame whilst moving it.

SAFETY AND CARE

It's important to ensure children and animals are kept away from the assembly area, as there are small components used in this product which could present a choking hazard. All plastic and wrapping materials should also be kept away from children and animals to prevent any risk of suffocation.

HELP AND SUPPORT

Please contact our customer service team on 0113 519 0311 if you have any questions or issues with your purchase.

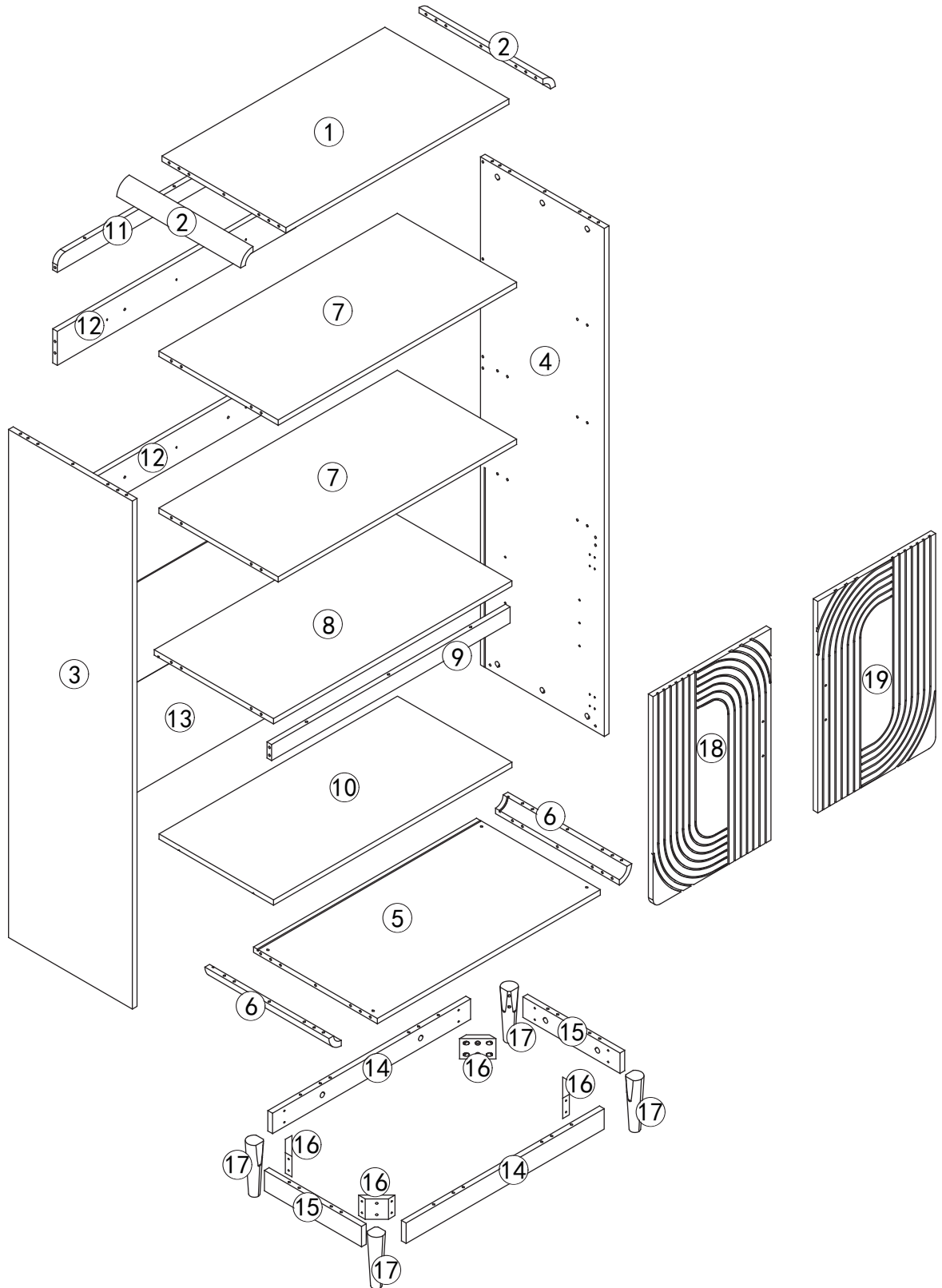
RECYCLING

Please ensure that packaging is disposed of in a safe and environmentally friendly way, and recycle where possible. Please keep your assembly instructions safe to refer back to in the future.

CARE AND MAINTENANCE:

1. Only clean using a damp cloth, do not use bleach or abrasive cleaners as they may damage the finish over time.
2. Do not use a very wet cloth or allow any liquid to contact with the veneer for a long period of time. Wipe any spillage immediately. Absorption can cause wood to warp or finishes to de-laminate.
3. Do not scrub or rub the surface when cleaning.
4. Do not drag the Marnie Bookshelf when moving, lift it off the floor instead.
5. Use a placemat or a coaster when putting hot items (e.g. hot drinks and dishes) on the wood surface.
6. It is not recommended to place the item next to sources of heat such as radiators, fires or directly exposed to sunlight. This may cause the wood to crack, split or fade due to the heat and humidity.
7. Wood will mellow and change colour over time, we recommend that ornaments and items placed on the surface to be moved regularly to prevent uneven mellowing.
8. Regularly check all fixings to ensure none have come loose. Re-tighten if necessary.
9. Avoid sharp items such as a screwdriver or any pointy tools.
10. Dispose of all packaging carefully and responsibly - recycle where possible.

Part List



Parts list




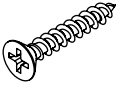
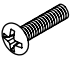
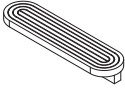
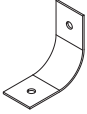
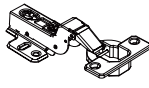


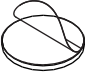







Before you begin building your Marnie Bookshelf, please take a moment to read through the instructions and make sure that you have all the relevant parts listed on the parts check list.

Part Number	Part Description	Quantity	Box NO
①	Top panel	1 pc	Box
②	Top R-corner joining strip	2 pcs	Box
③	Left side panel	1 pc	Box
④	Right side panel	1 pc	Box
⑤	Bottom panel	1 pc	Box
⑥	Bottom R-corner joining strip	2 pcs	Box
⑦	Upper shelf	2 pcs	Box
⑧	Middle panel	1 pc	Box
⑨	Bottom support	1 pc	Box
⑩	Adjustable shelf	1 pc	Box

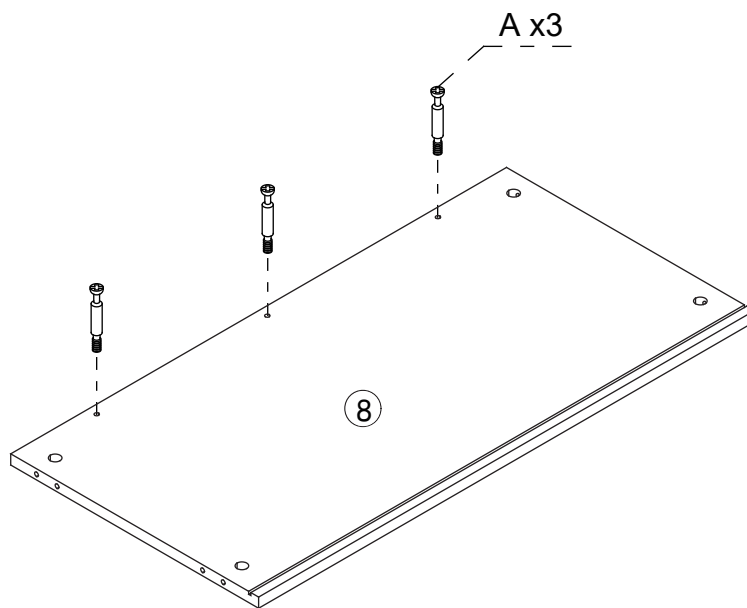
Part Number	Part Description	Quantity	Box NO
⑪	Upper support	1 pc	Box
⑫	Middle support	2 pcs	Box
⑬	back panel	1 pc	Box
⑭	Front/Back apron	2 pcs	Box
⑮	Left/Right apron	2 pcs	Box
⑯	Corner block	4 pcs	Box
⑰	Leg	4 pcs	Box
⑱	Left door panel	1 pc	Box
⑲	Right door panel	1 pc	Box


Fittings

Please check you have all the fittings listed below with your product in Box.

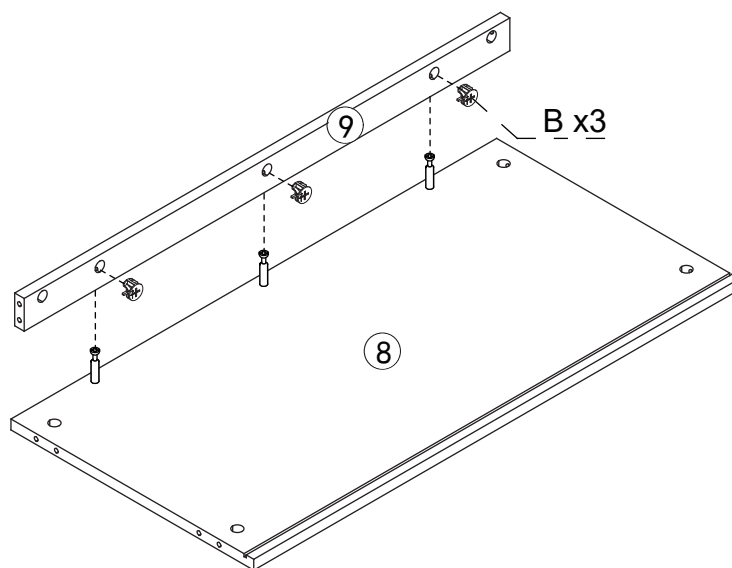
<p>A</p> 	<p>B</p> 	<p>C</p> 	<p>D</p> 	<p>E</p> 
<p>M6x35mm Bolt</p> <p>62 pcs+2pc extra</p>	<p>M15x10mm Cam Lock</p> <p>62 pcs+2pc extra</p>	<p>M8x30mm Dowel</p> <p>58 pcs+2pc extra</p>	<p>M4x35mm Screw</p> <p>6 pcs+1pc extra</p>	<p>M4x20mm Screw</p> <p>4 pcs</p>
<p>F</p> 	<p>G</p> 	<p>H</p> 	<p>I</p> 	<p>J</p> 
<p>Handle</p> <p>2 pcs</p>	<p>Connecting piece</p> <p>4 pcs</p>	<p>Hinge</p> <p>4 pcs</p>	<p>M4x14mm Screw</p> <p>24 pcs+2pc extra</p>	<p>Back plate buckle</p> <p>6 pcs+1pc extra</p>
<p>K</p> 	<p>L</p> 	<p>M</p> 	<p>N</p> 	<p>O</p> 
<p>Foot pads</p> <p>4 pcs</p>	<p>Hole stickers</p> <p>26 pcs+1pc extra</p>	<p>M6x10mm Screw</p> <p>8 pcs</p>	<p>M4x25mm Screw</p> <p>16 pcs+1pc extra</p>	<p>M6x55mm Screw</p> <p>8 pcs+1pc extra</p>
<p>P</p> 	<p>Q</p> 	<p>R</p> 		
<p>Wall anchor kit</p> <p>2 pcs</p>	<p>Shelf support</p> <p>4 pcs</p>	<p>Allen key</p> <p>1 pc</p>		


1.



A	
M6x35mm Bolt	
3pcs	

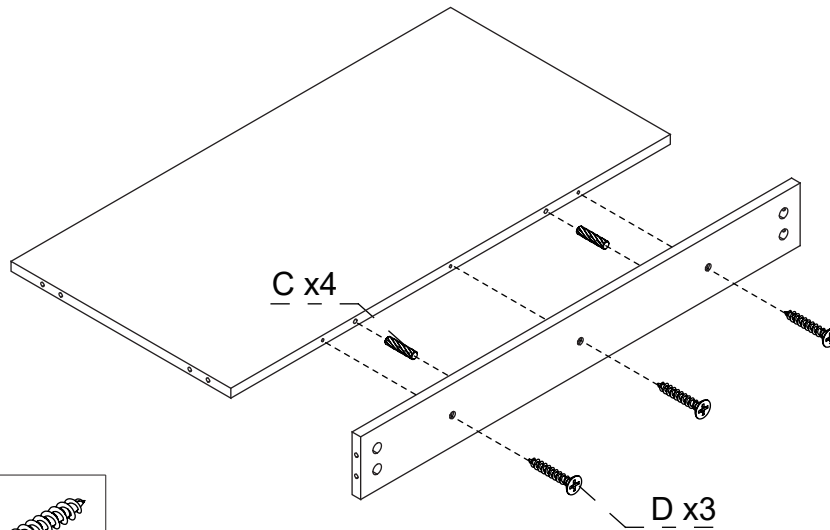
2.





B	
M15x10mm Cam Lock	
3pcs	

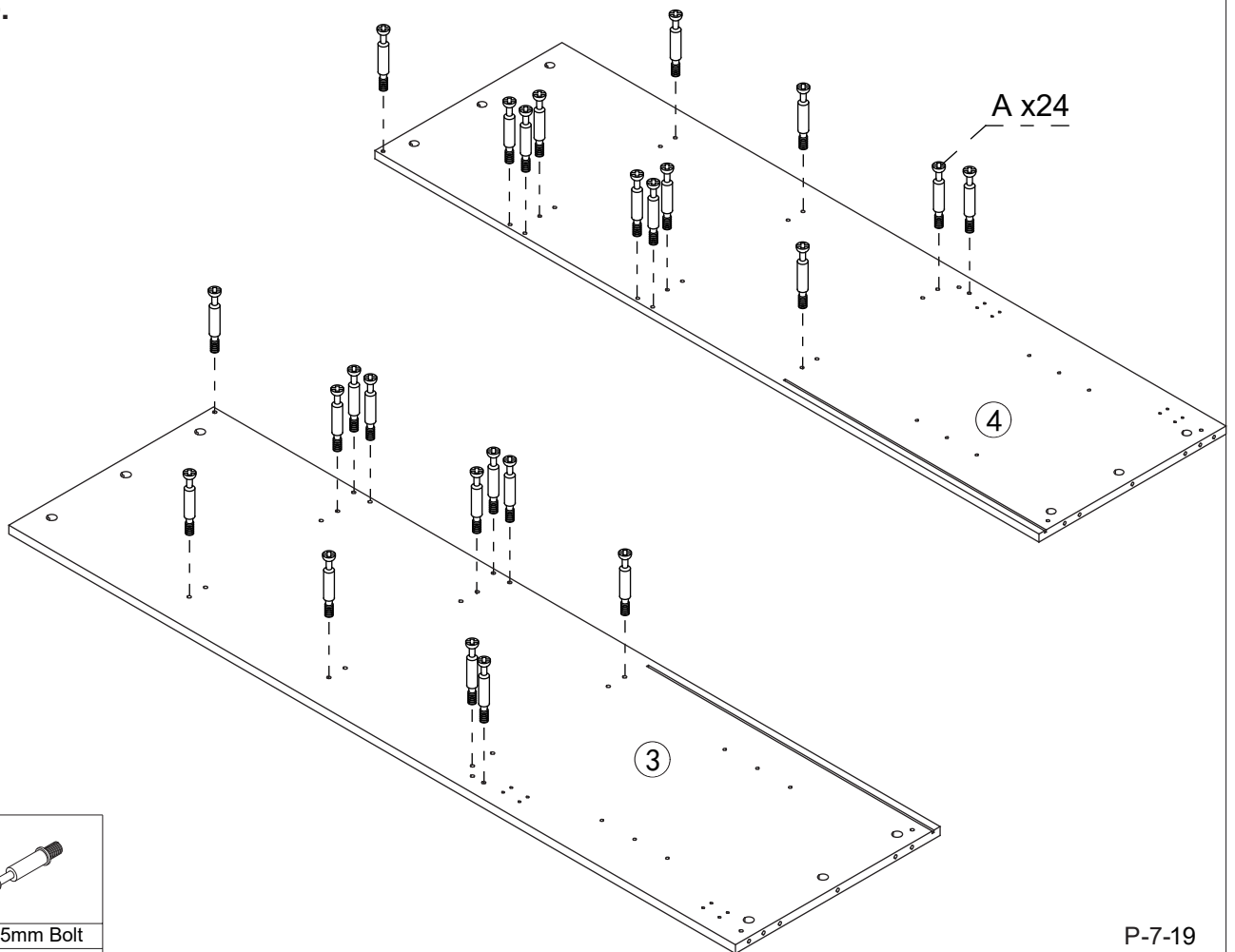
3.


x 2



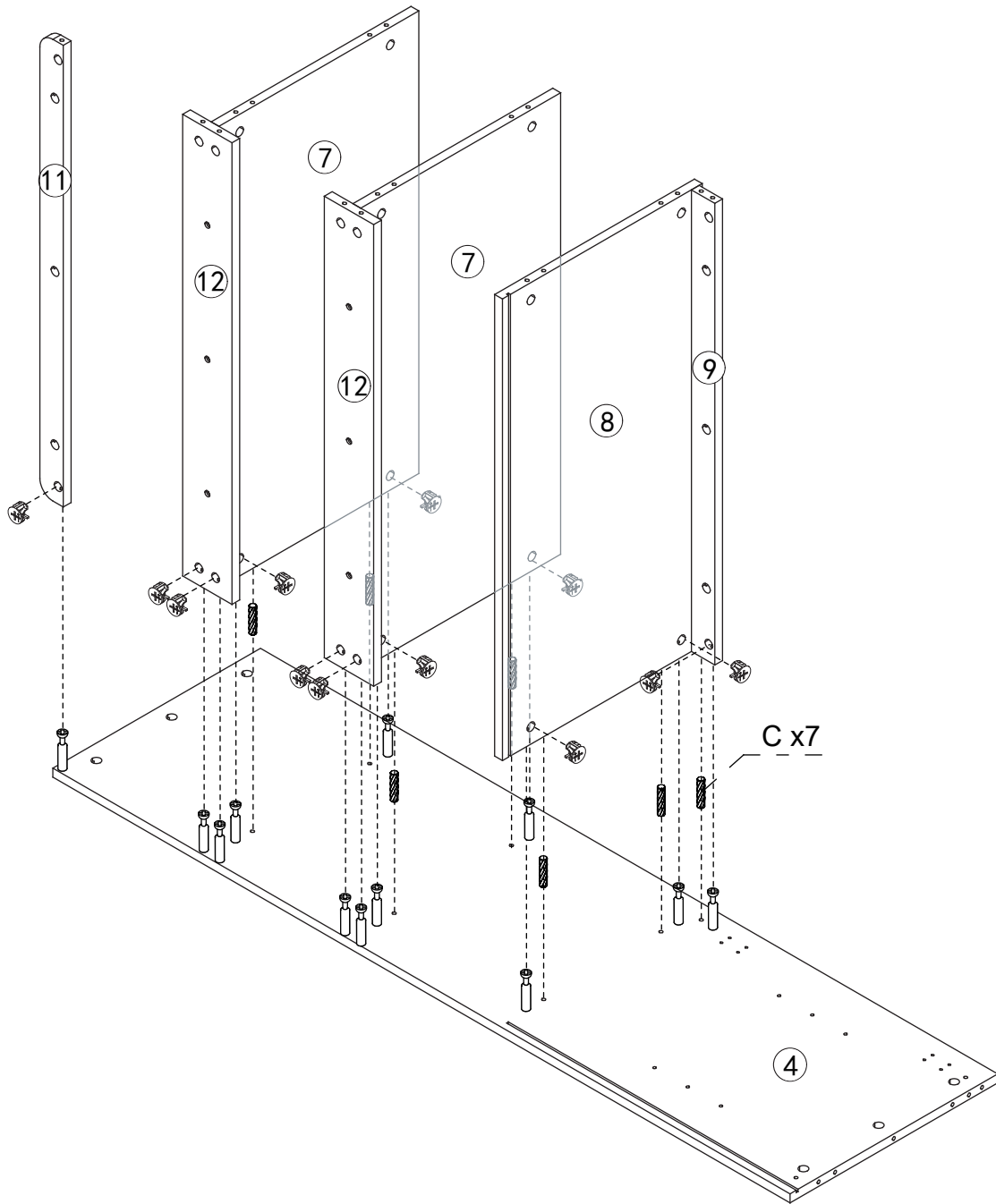
C 	D 
M8x30mm Dowel 4pcs	M4x35mm Screw 6pcs



4.



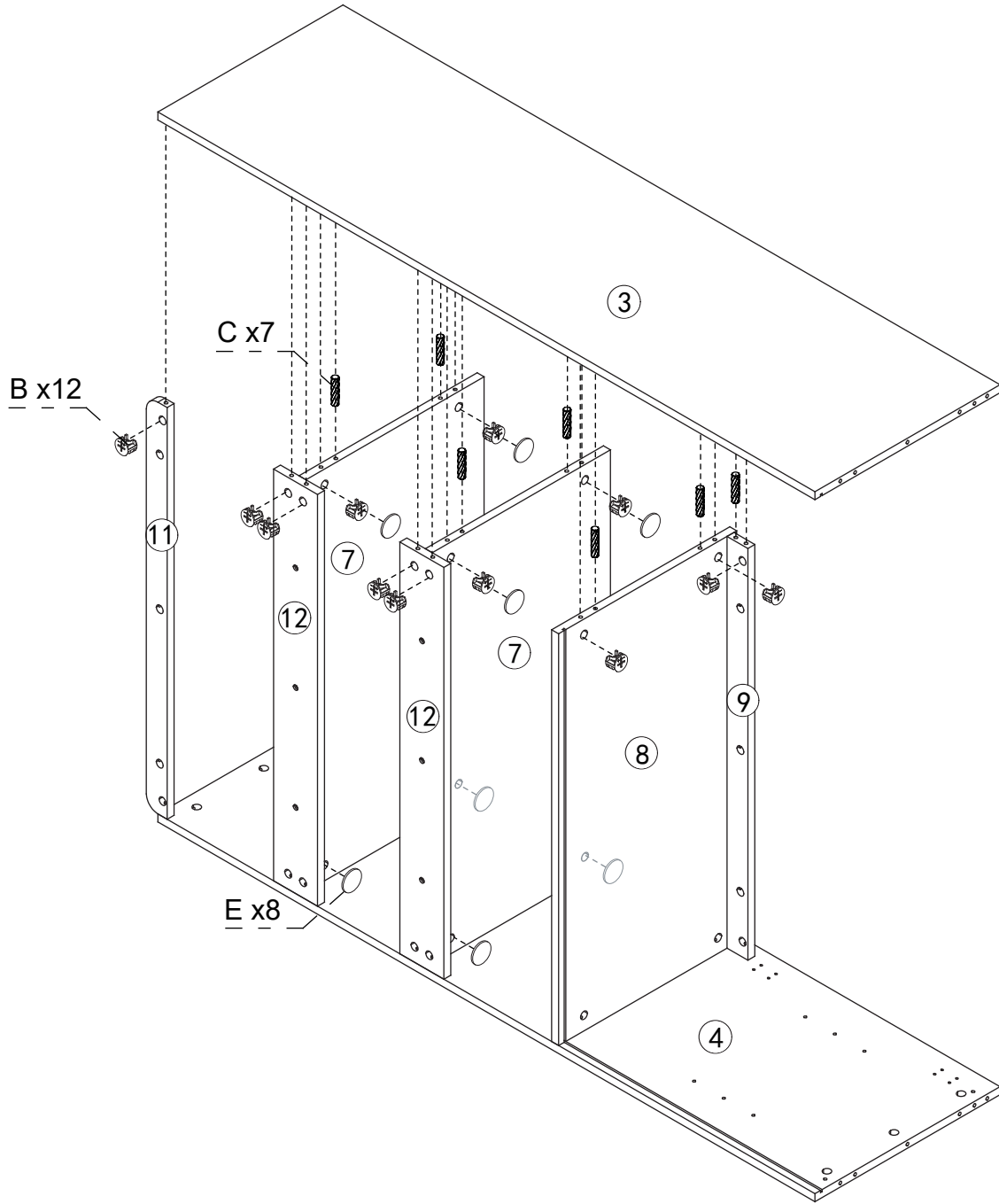
A 
M6x35mm Bolt 24pcs




5.



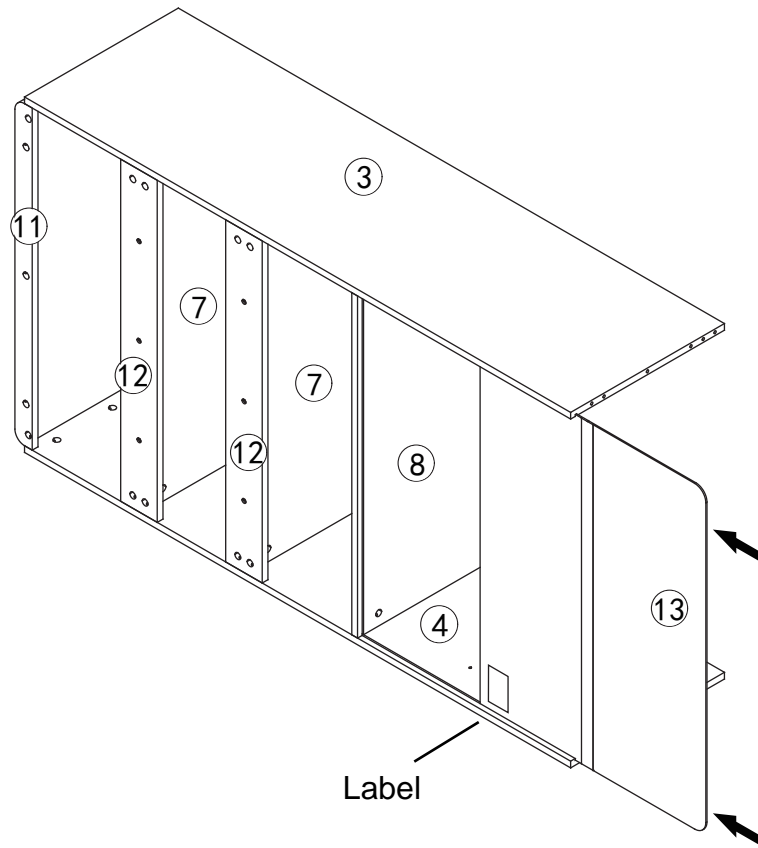
B 	C 
M15x10mm Cam Lock 12pcs	M8x30mm Dowel 7pcs

6.

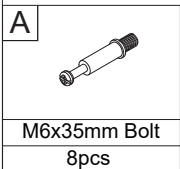
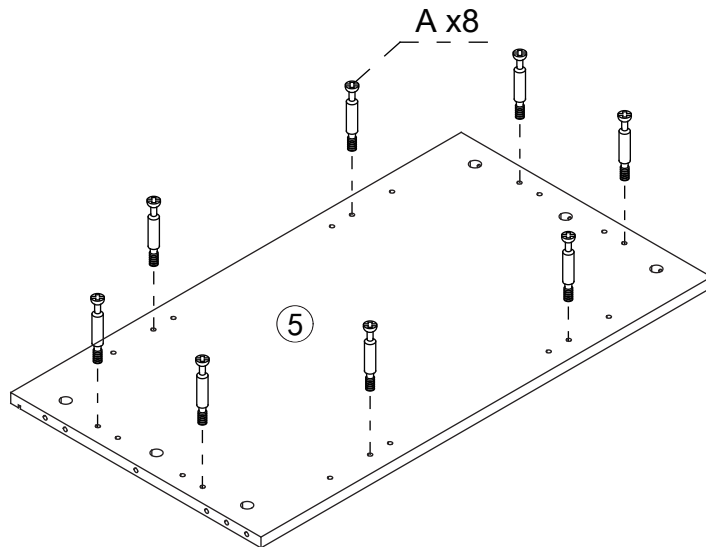


<p>B</p> 	<p>C</p> 	<p>E</p> 
<p>M15x10mm Cam Lock 12pcs</p>	<p>M8x30mm Dowel 7pcs</p>	<p>Hole sticker 8pcs</p>

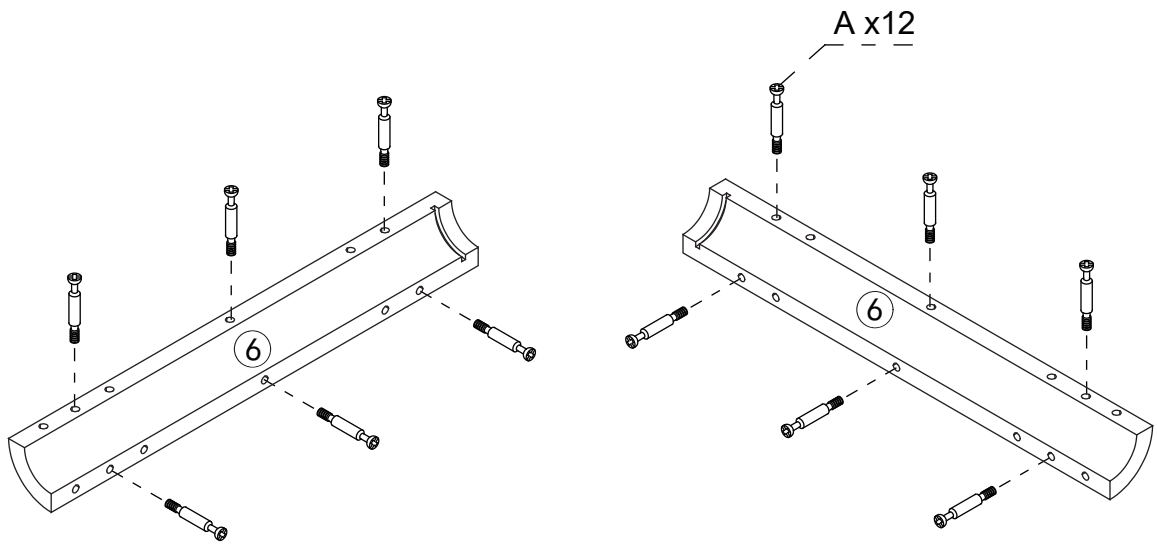
7.




8.

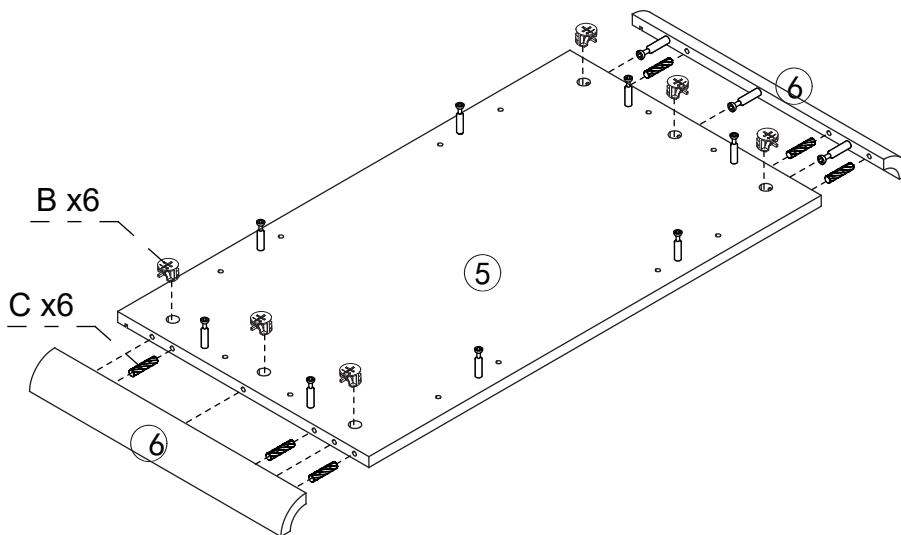




9.



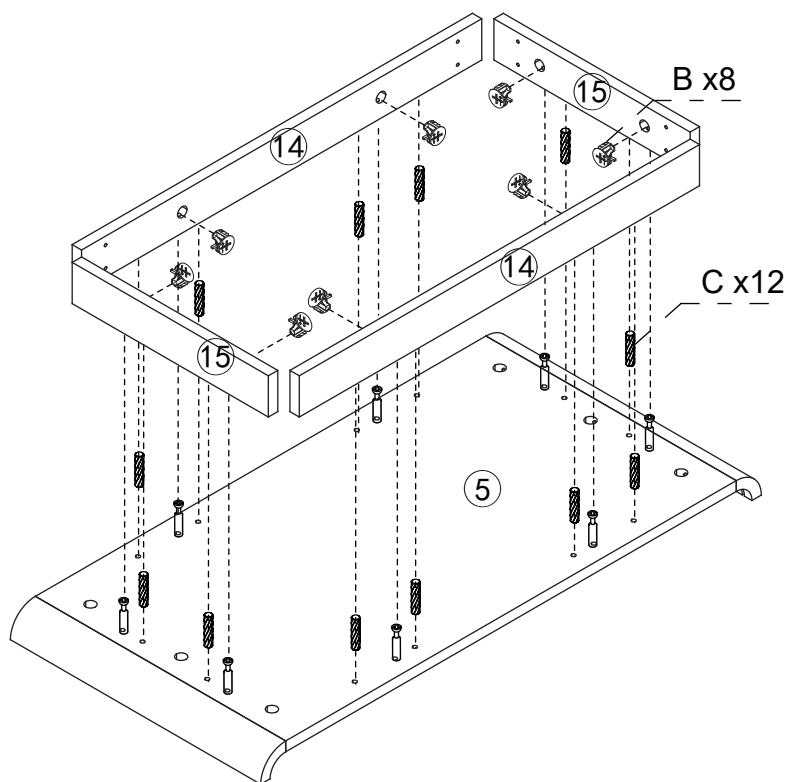
A	
M6x35mm Bolt	
12pcs	



10.



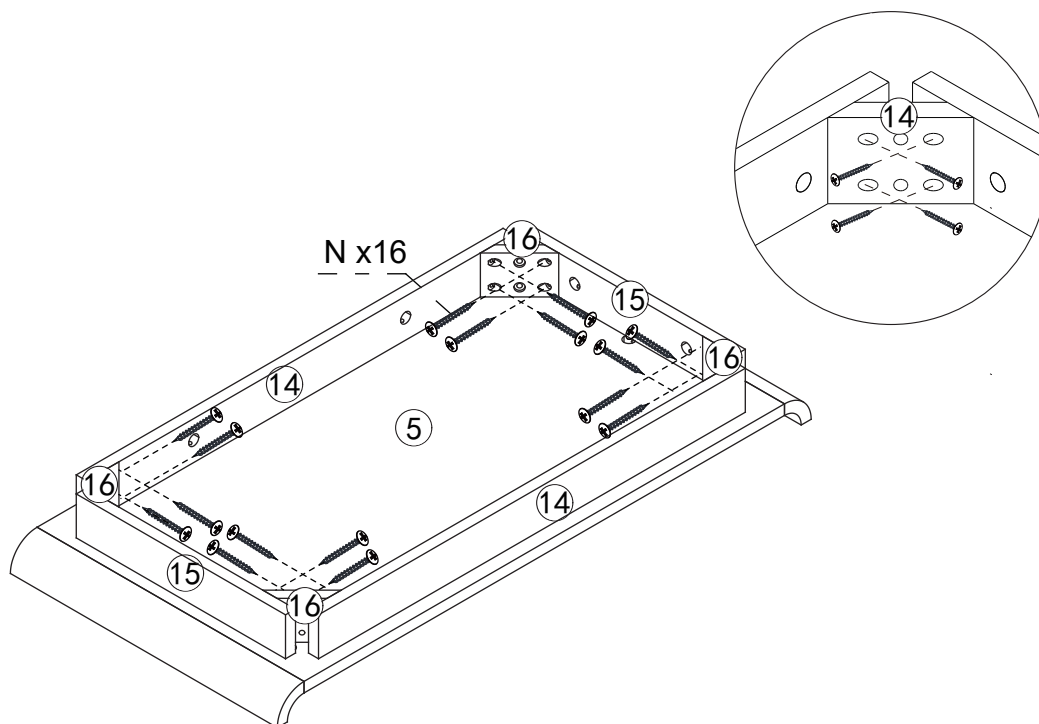
B		C	
M15x10mm Cam Lock		M8x30mm Dowel	
6pcs		6pcs	


11.



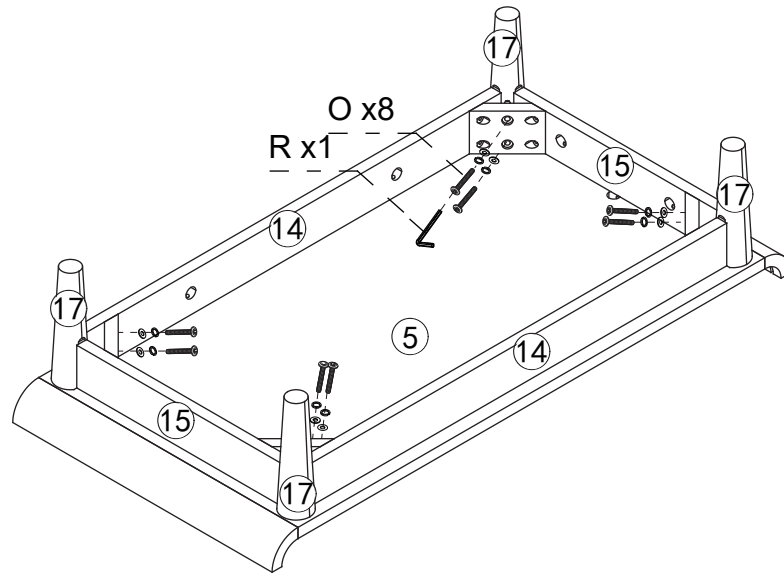
<p>B</p> 	<p>C</p> 
<p>M15x10mm Cam Lock 8pcs</p>	<p>M8x30mm Dowel 12pcs</p>

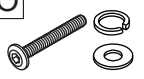
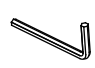
12.



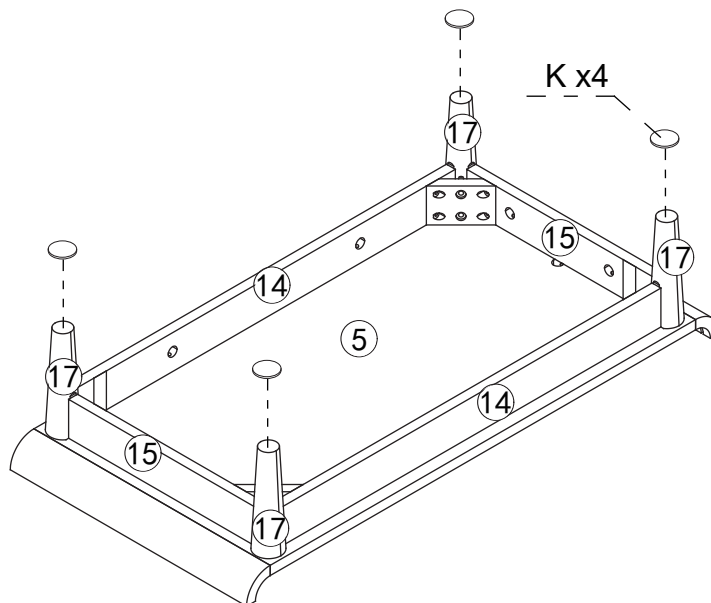
<p>N</p> 
<p>M4x25mm Screw 16pcs</p>


13.



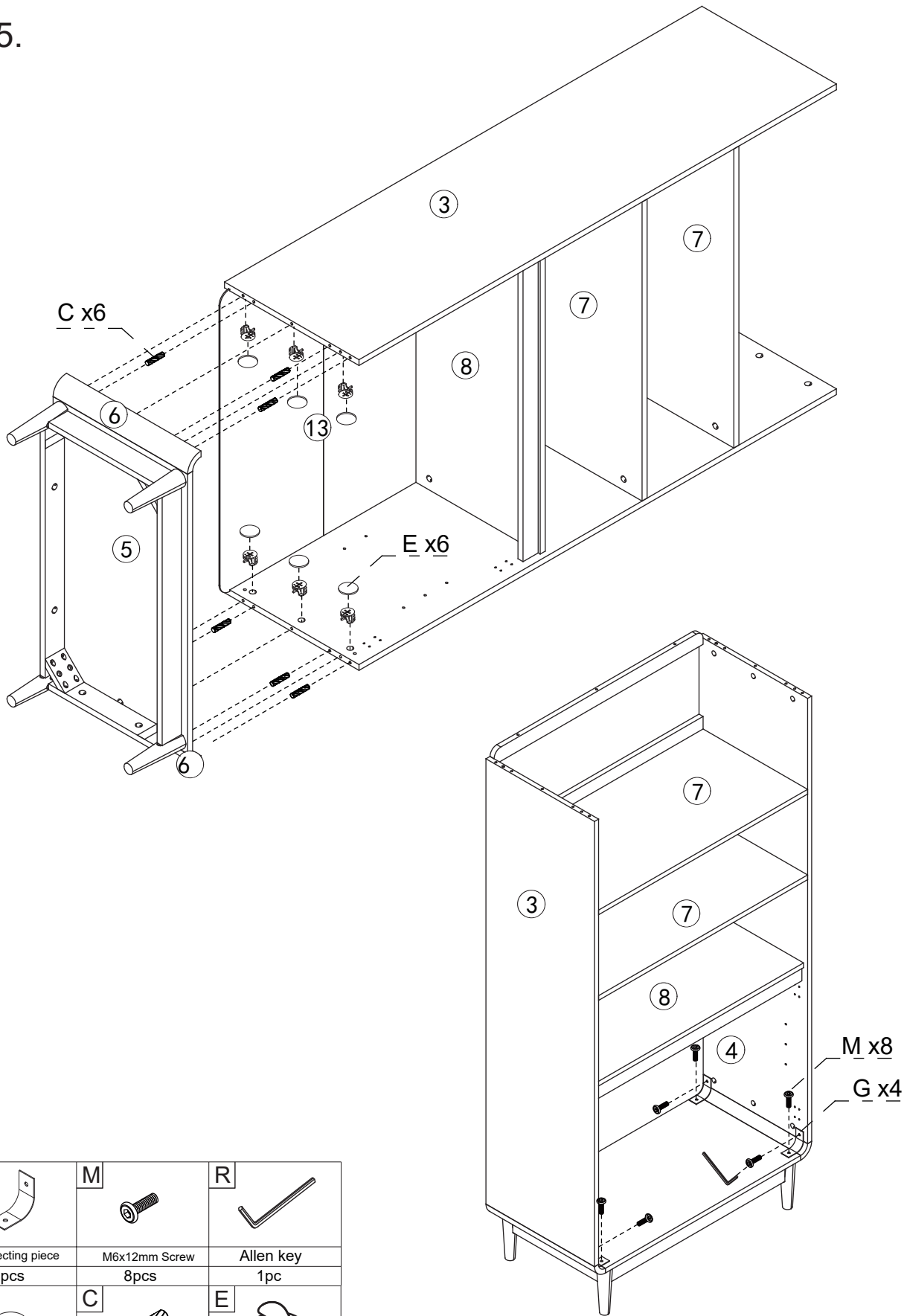
<p>O</p> 	<p>R</p> 
<p>M6x55mm Screw 8pcs</p>	<p>Allen key 1pc</p>







14.



<p>K</p> 
<p>Foot pads 4pcs</p>

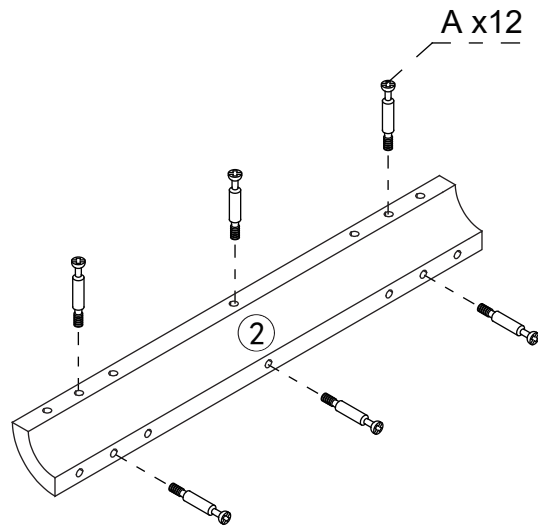
15.



G 	M 	R 
Connecting piece 4pcs	M6x12mm Screw 8pcs	Allen key 1pc
B 	C 	E 
M15x10mm Cam Lock 6pcs	M8x30mm Dowel 6pcs	Hole sticker 6pcs

16.

x 2



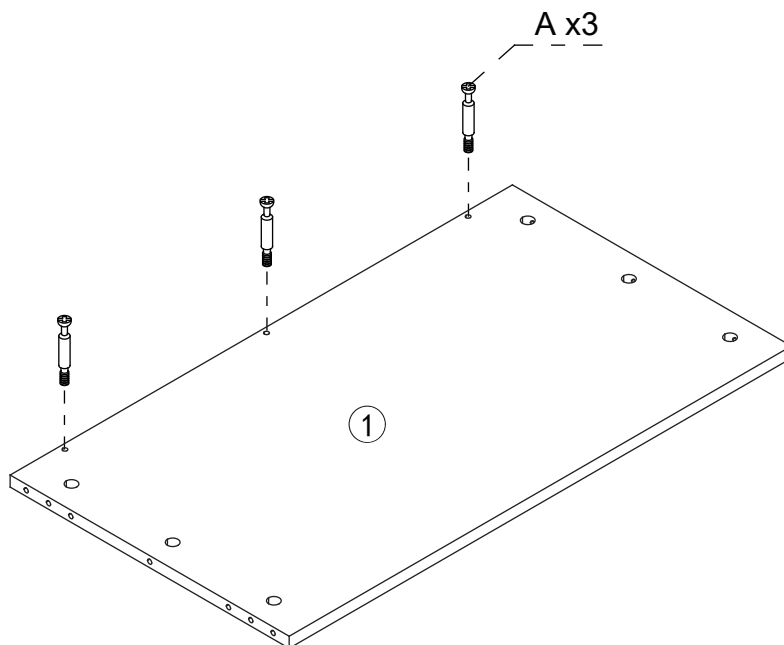
A



M6x35mm Bolt

12pcs

17.



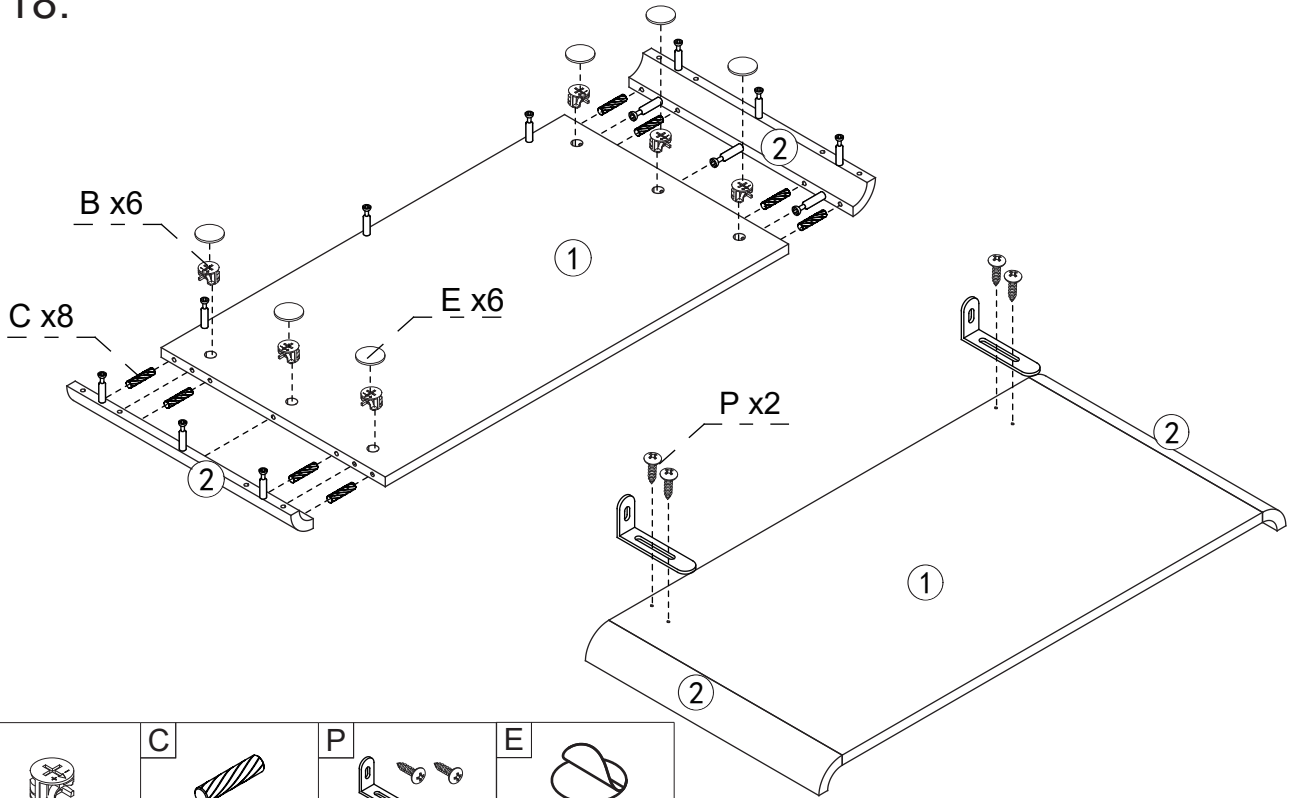
A



M6x35mm Bolt

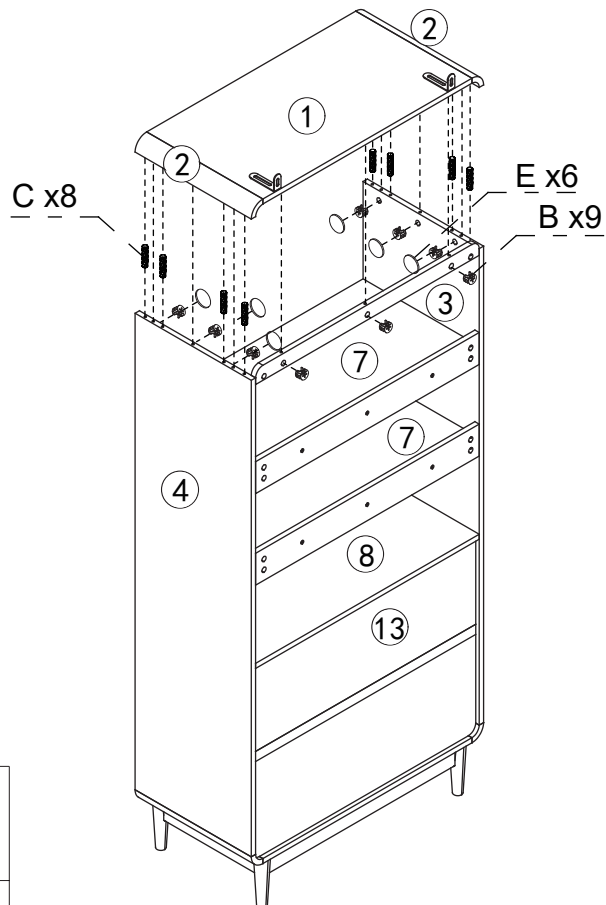
3pcs

18.



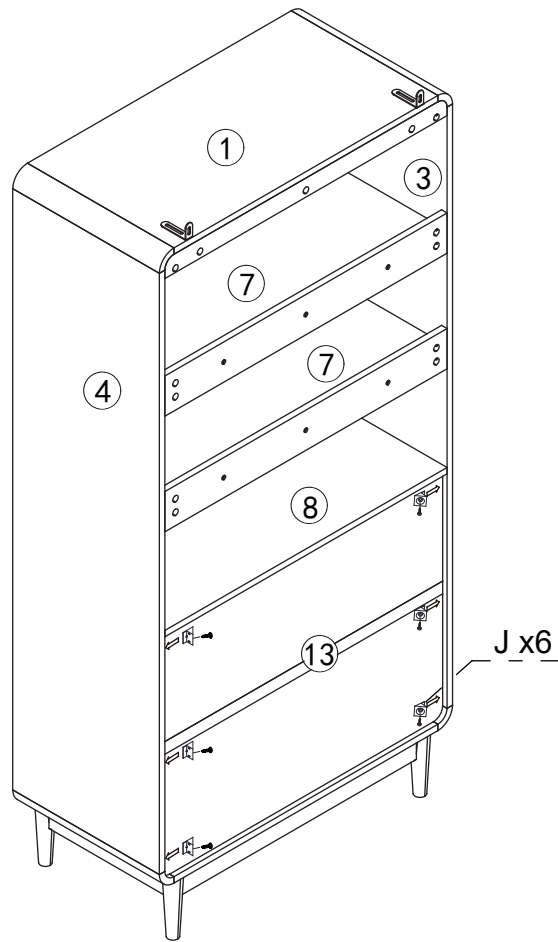
B	C	P	E
M15x10mm Cam Lock 6pcs	M8x30mm Dowel 8pcs	Wall anchor kit 2 pcs	Hole sticker 6pcs


19.



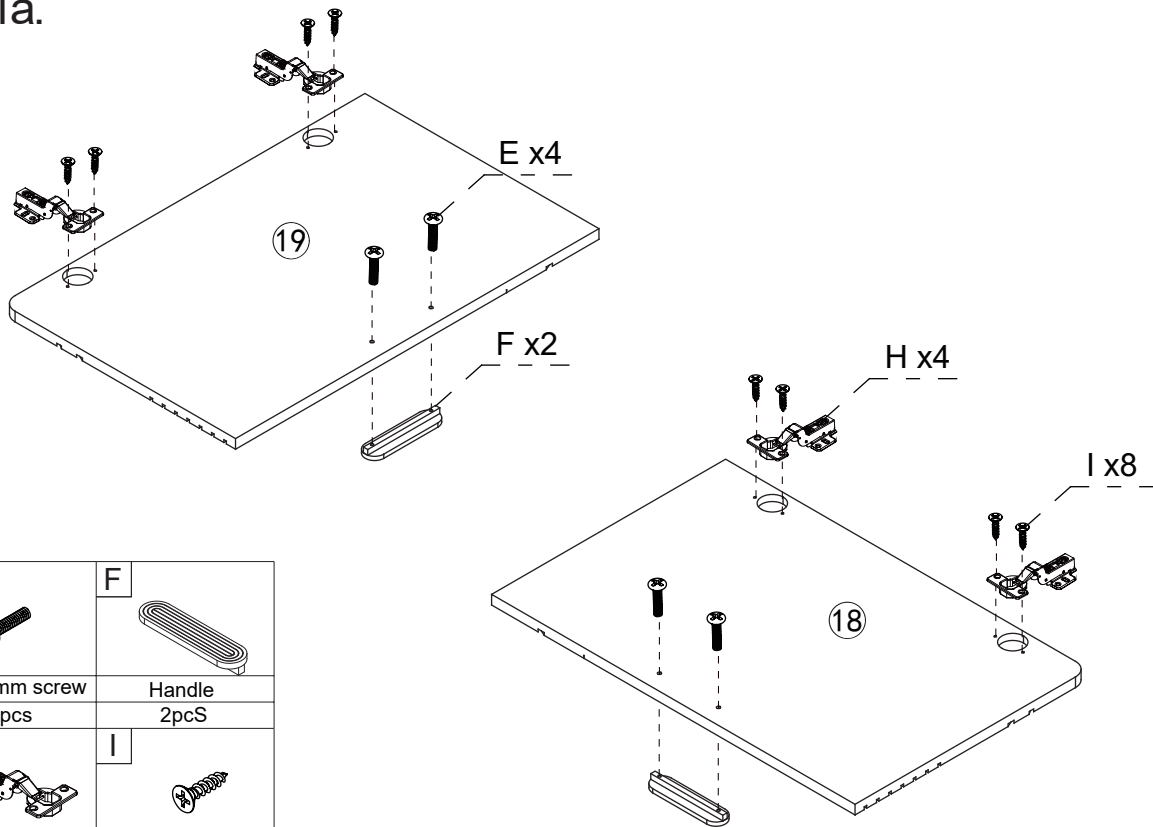
B	C	E
M15x10mm Cam Lock 9pcs	M8x30mm Dowel 8pcs	Hole sticker 6pcs





20.



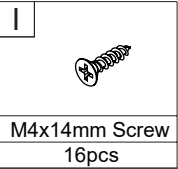
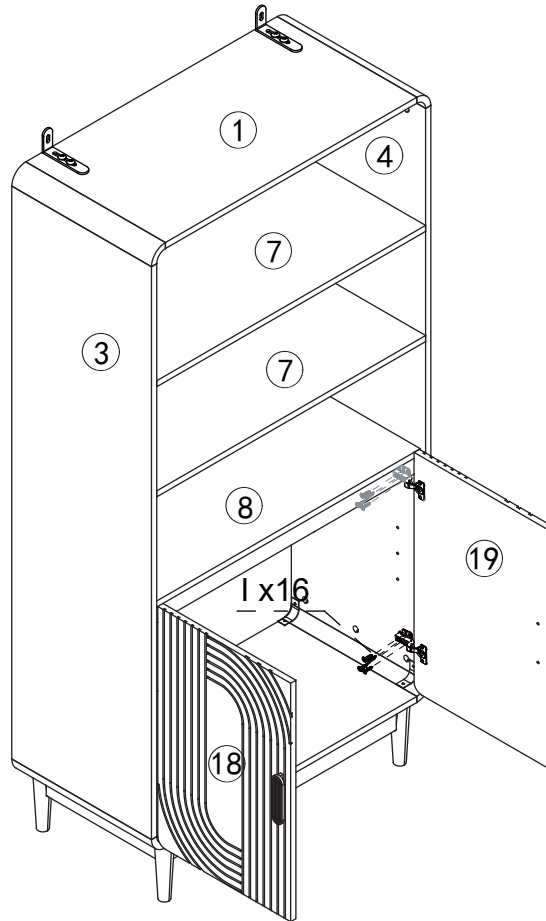
J

Back plate buckle
6pcs

21a.

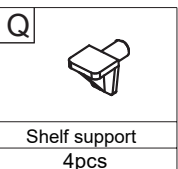
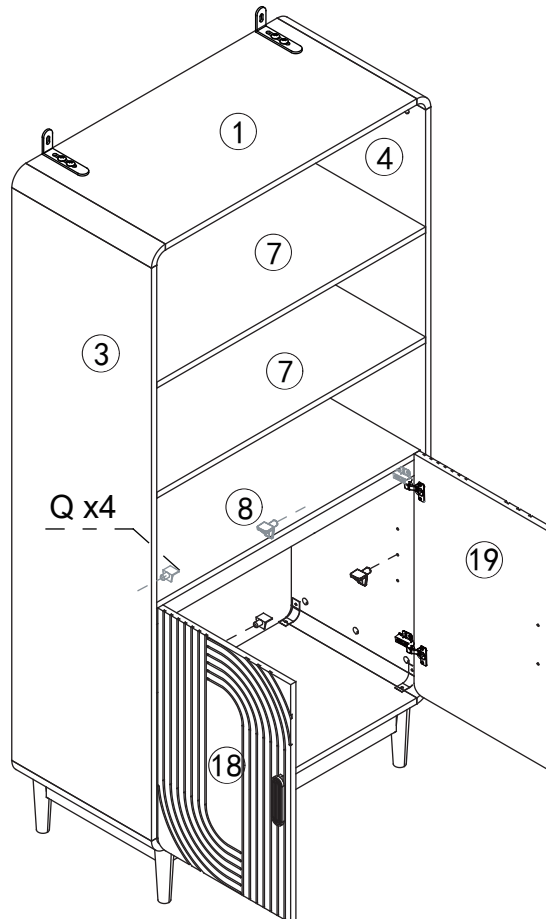


E	F
	
M4x20mm screw	Handle
4pcs	2pcS
H	I
	
Hinge	M4x14mm Screw
4pcs	8pcs

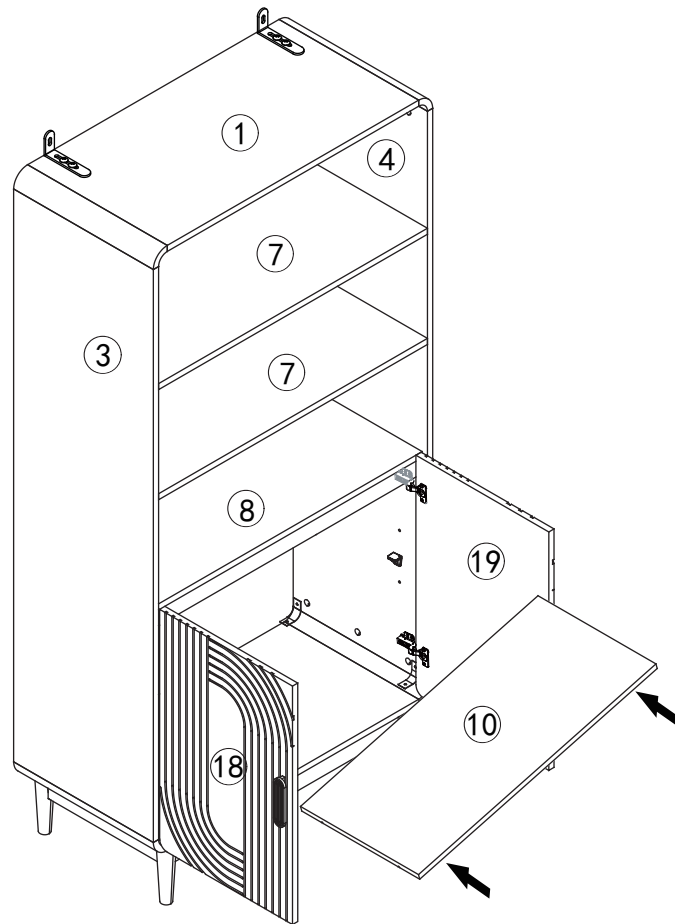
22.



23.



24.



25.

