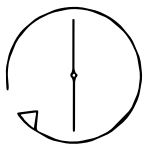
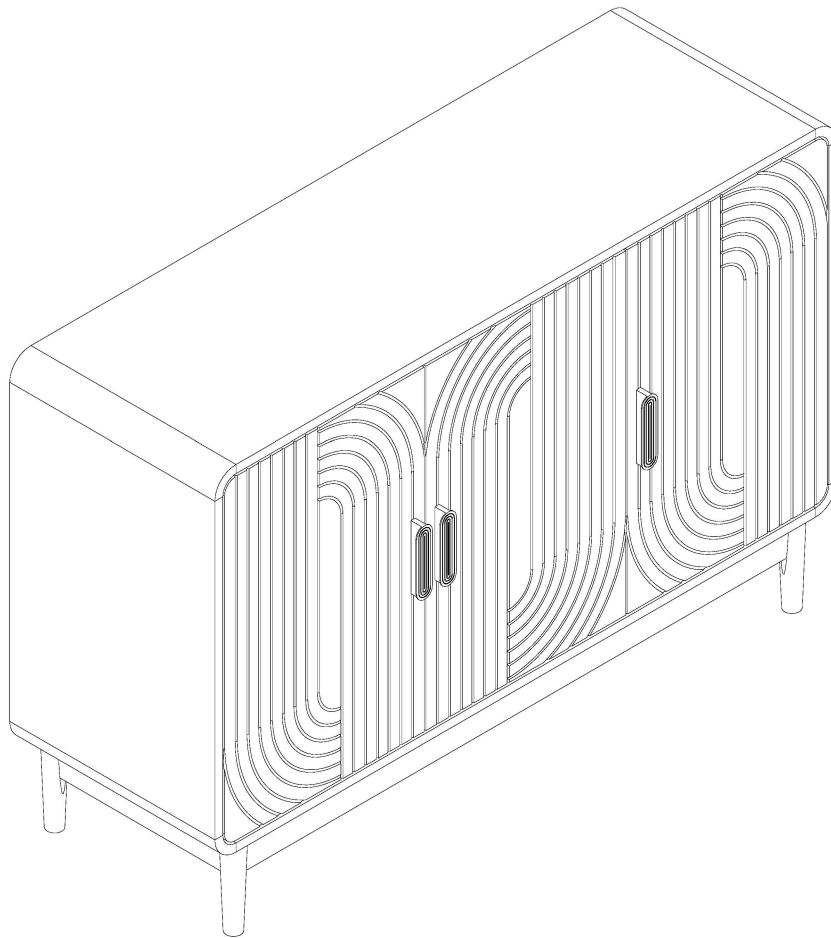
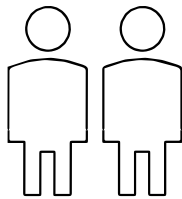


Marnie 3 Door Sideboard



Up to 120 minutes
assembly time



Two person
assembly



Electric screwdriver
prohibited

This product is intended for domestic use only, not for commercial purposes.

IMPORTANT

ASSEMBLY TIP

Before you begin, it's best to identify all of the parts and fittings to build your Marnie 3 Door Sideboard frame. We advise laying these out on the floor to check you have everything, and to familiarise yourself with all of the parts and fittings before building.

TOP TIP

We recommend that you assemble the Marnie 3 Door Sideboard in the room you'd like it to be located. This will help prevent any risk of damage to the frame whilst moving it.

SAFETY AND CARE

It's important to ensure children and animals are kept away from the assembly area, as there are small components used in this product which could present a choking hazard. All plastic and wrapping materials should also be kept away from children and animals to prevent any risk of suffocation.

HELP AND SUPPORT

Please contact our customer service team on 0113 519 0311 if you have any questions or issues with your purchase.

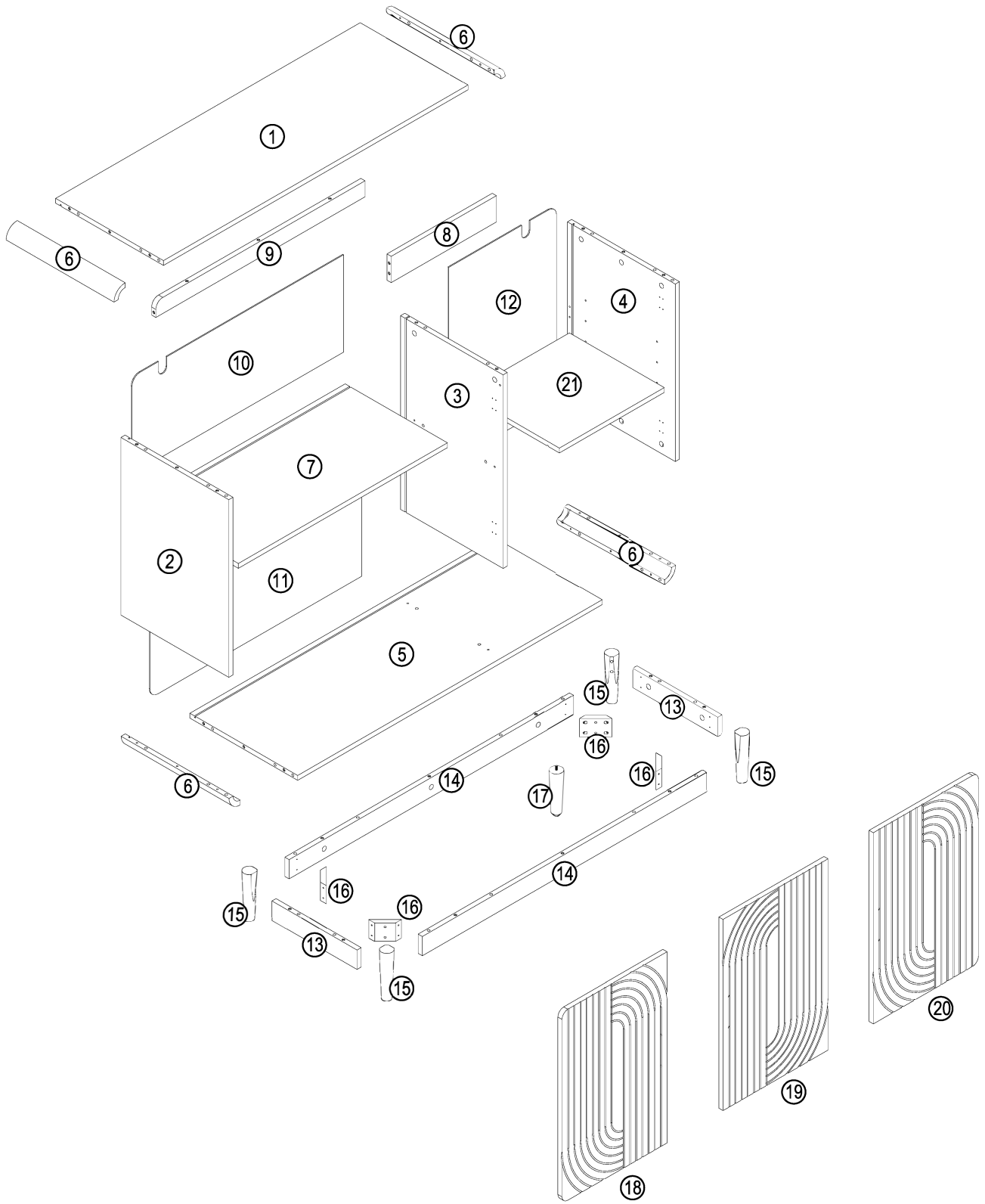
RECYCLING

Please ensure that packaging is disposed of in a safe and environmentally friendly way, and recycle where possible. Please keep your assembly instructions safe to refer back to in the future.

CARE AND MAINTENANCE:

1. Only clean using a damp cloth, do not use bleach or abrasive cleaners as they may damage the finish over time.
2. Do not use a very wet cloth or allow any liquid to contact with the veneer for a long period of time. Wipe any spillage immediately. Absorption can cause wood to warp or finishes to de-laminate.
3. Do not scrub or rub the surface when cleaning.
4. Do not drag the Marnie 3 Door Sideboard when moving, lift it off the floor instead.
5. Use a placemat or a coaster when putting hot items (e.g. hot drinks and dishes) on the wood surface.
6. It is not recommended to place the item next to sources of heat such as radiators, fires or directly exposed to sunlight. This may cause the wood to crack, split or fade due to the heat and humidity.
7. Wood will mellow and change colour over time, we recommend that ornaments and items placed on the surface to be moved regularly to prevent uneven mellowing.
8. Regularly check all fixings to ensure none have come loose. Re-tighten if necessary.
9. Avoid sharp items such as a screwdriver or any pointy tools.
10. Dispose of all packaging carefully and responsibly - recycle where possible.

Parts list



Parts list

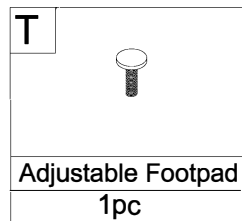
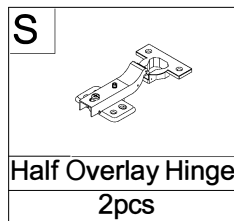
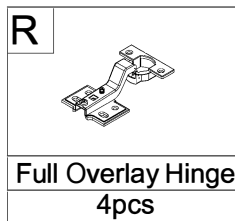
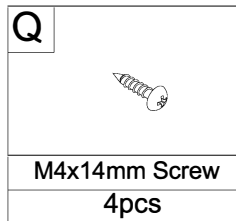
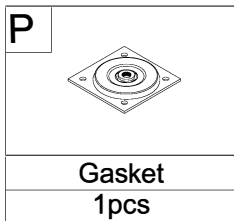
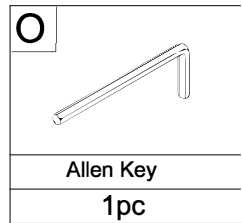
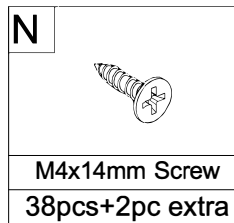
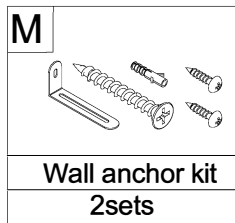
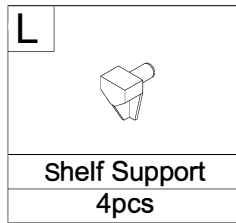
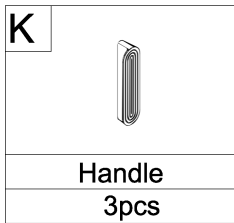
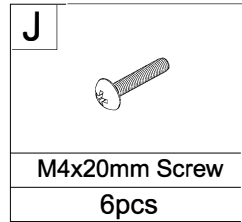
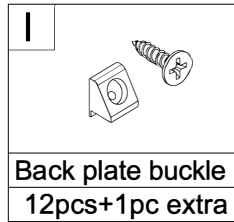
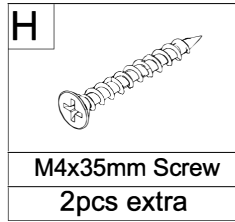
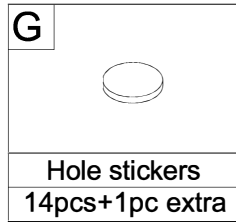
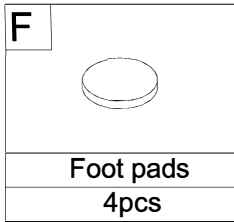
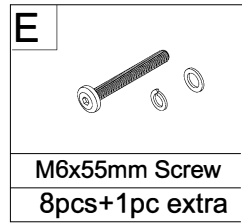
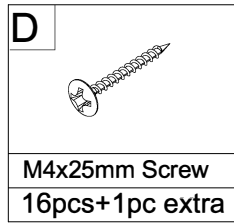
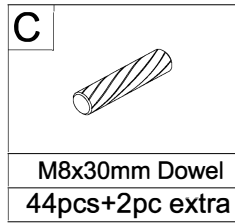
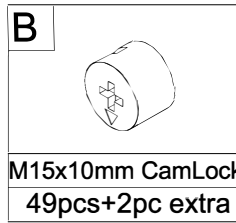
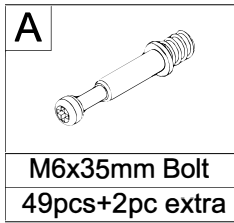
Before you begin building your Marnie 3 Door Sideboard, please take a moment to read through the instructions and make sure that you have all the relevant parts listed on the parts check list.

Part Number	Part Description	Quantity	Box NO
①	Top panel	1 pc	Box
②	Left side panel	1 pc	Box
③	Middle panel	1 pc	Box
④	Right side panel	1 pc	Box
⑤	Bottom panel	1 pc	Box
⑥	R-corner joining strip	4 pcs	Box
⑦	Left Shelf	2 pcs	Box
⑧	Right support	1 pc	Box
⑨	Left support	1 pc	Box
⑩	Left top back panel	1 pc	Box
⑪	Left bottom back panel	1 pc	Box

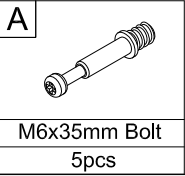
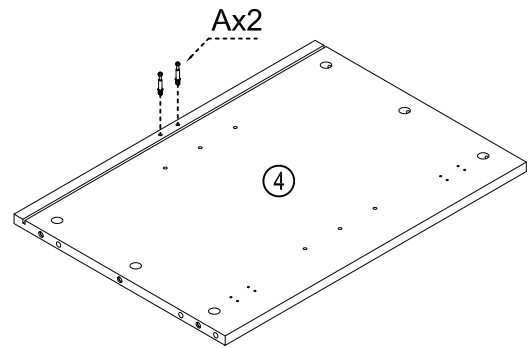
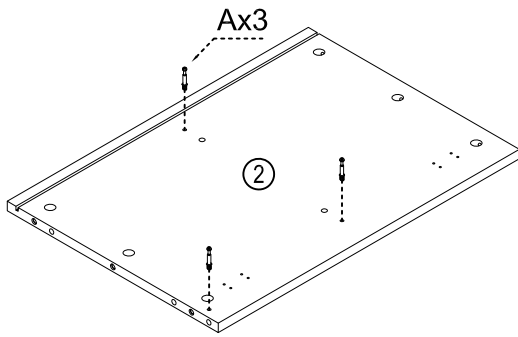
Part Number	Part Description	Quantity	Box NO
⑫	Right back panel	1 pc	Box
⑬	Left/Right apron	2 pcs	Box
⑭	Front/Back apron	2 pcs	Box
⑮	Leg	4 pcs	Box
⑯	Corner block	4 pcs	Box
⑰	Support leg	1 pc	Box
⑱	Left door panel	1 pc	Box
⑲	Middle door panel	1 pc	Box
⑳	Right door panel	1 pc	Box
㉑	Right shelf	1 pc	Box

Fittings

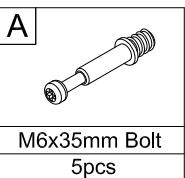
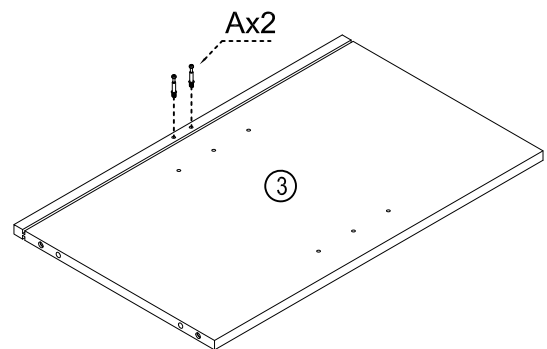
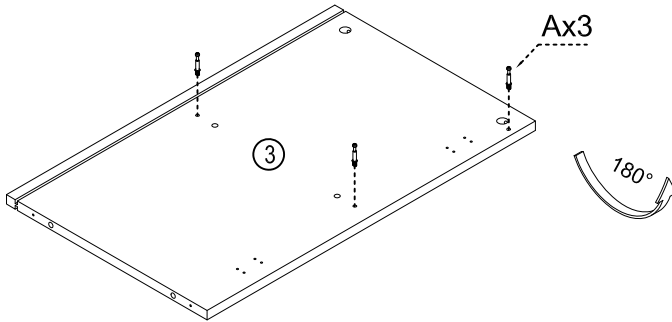
Please check you have all the fittings listed below with your product in Box .



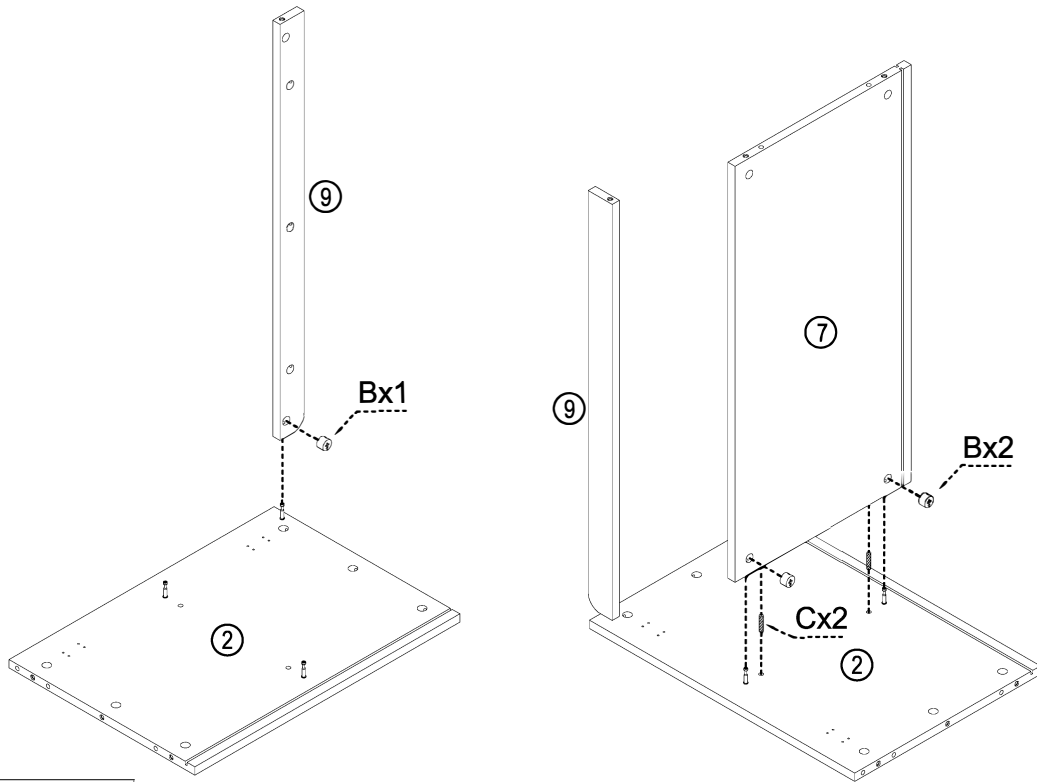
1.


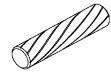


2.

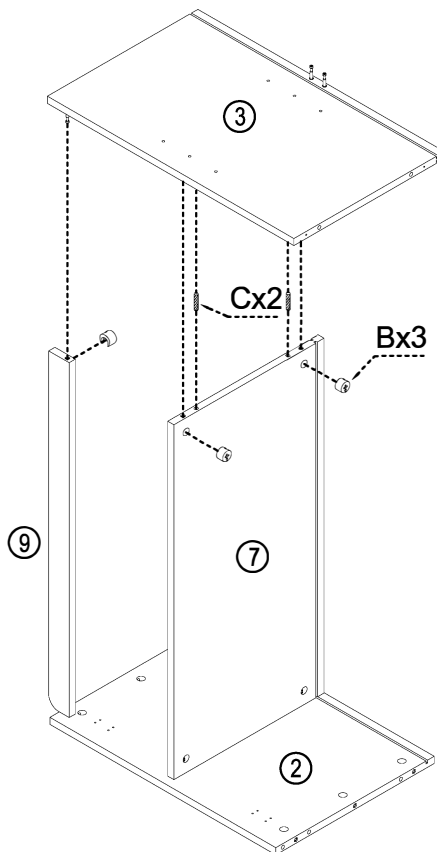



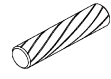
3.



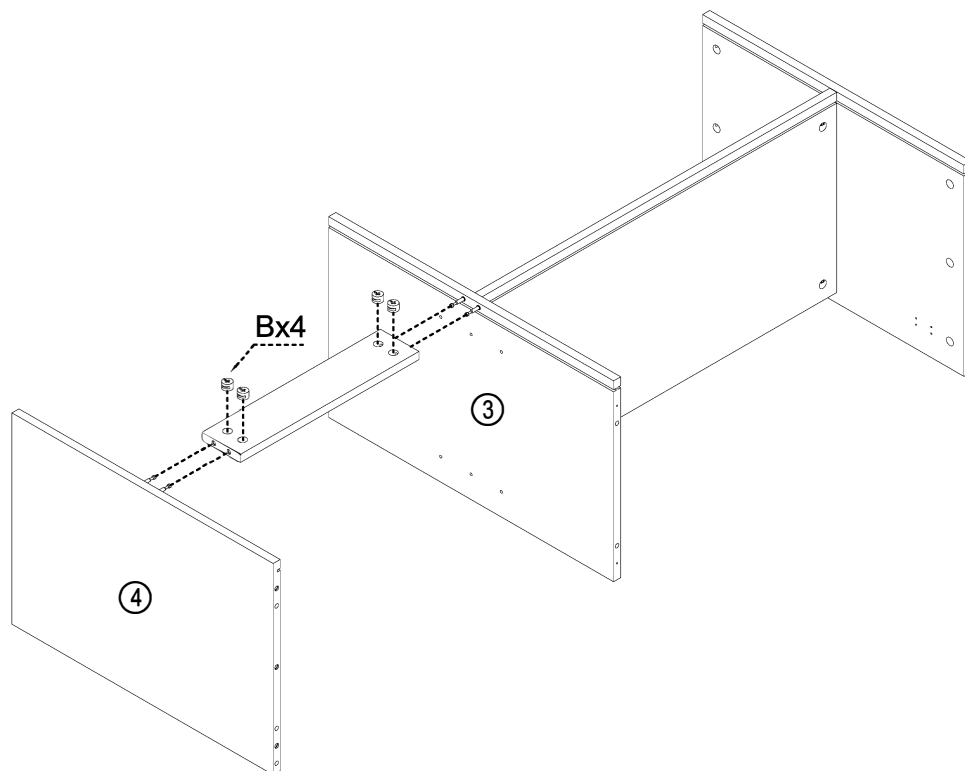
B		C	
M15x10mm CamLock	M8x30mm Dowel		
3pcs	2pcs		

4.



B		C	
M15x10mm CamLock	M8x30mm Dowel		
3pcs	2pcs		

5.

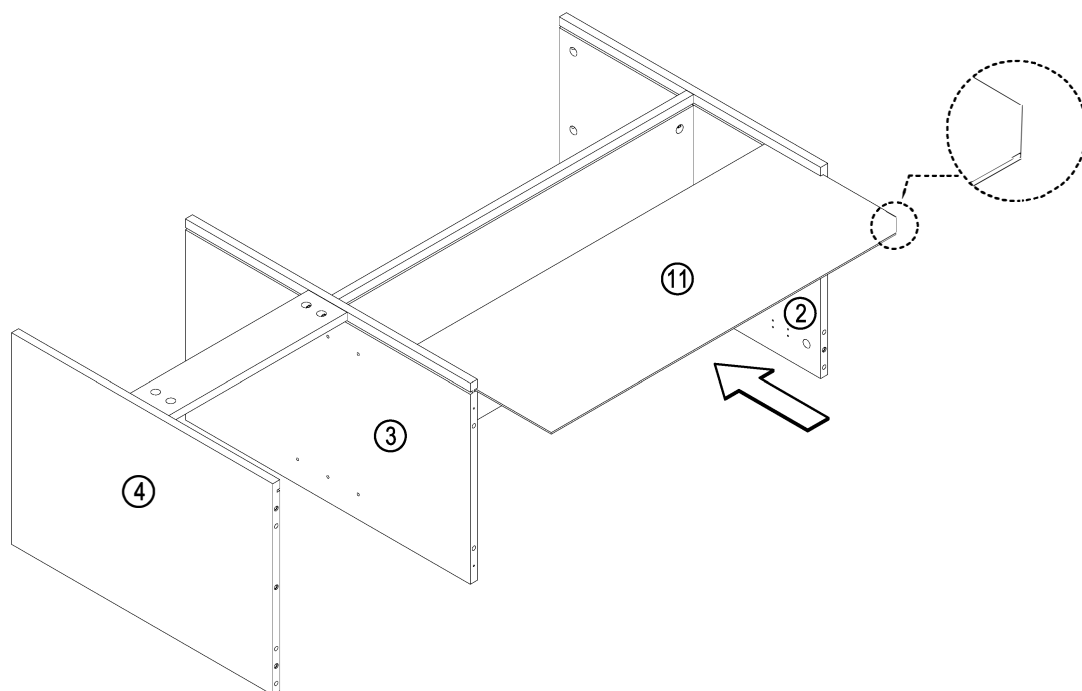


B

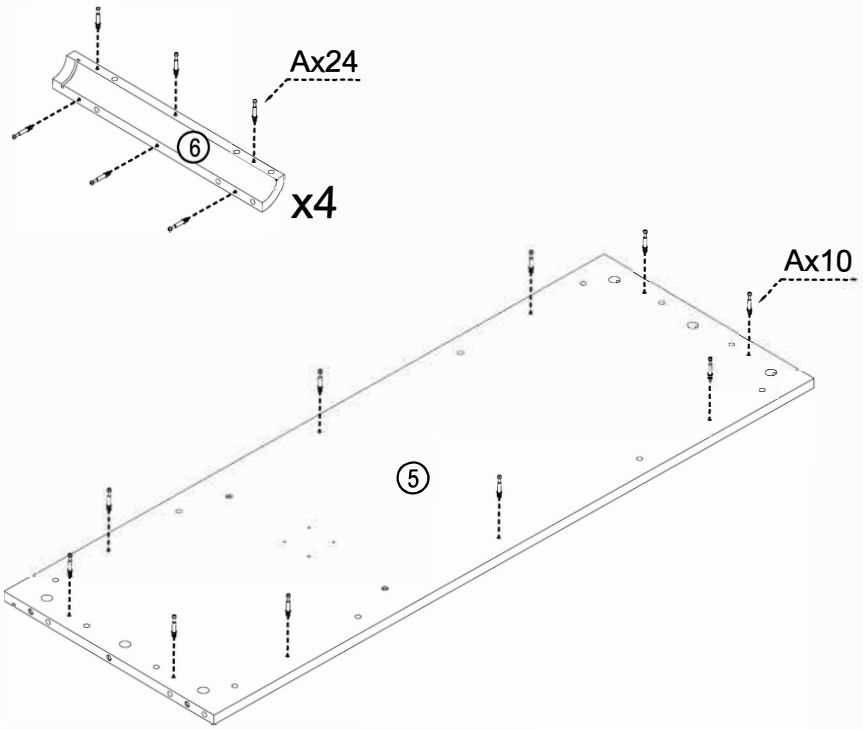


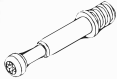
M15x10mm CamLock
4pcs

6.

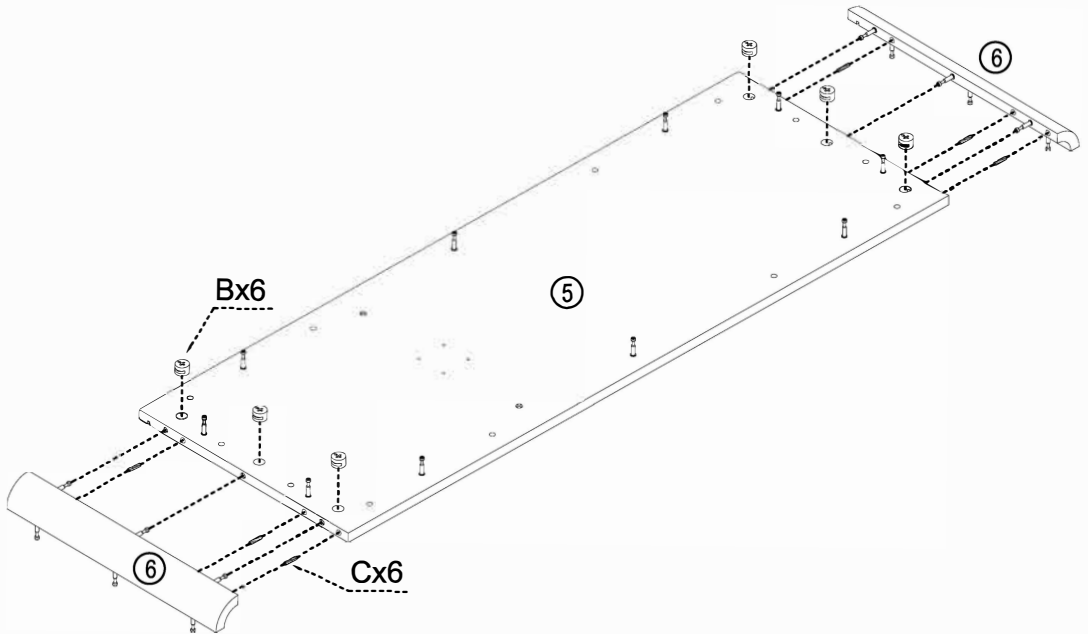



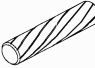
7.



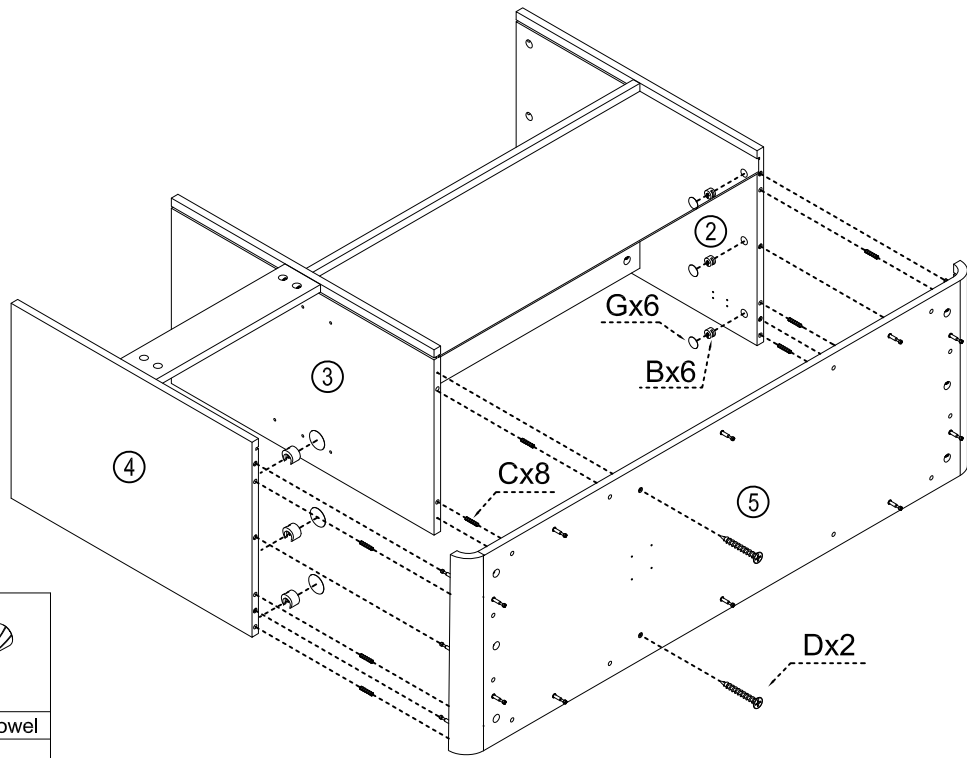
A	
M6x35mm Bolt 34pcs	

8.



B	C
	
M15x10mm CamLock 6pcs	M8x30mm Dowel 6pcs

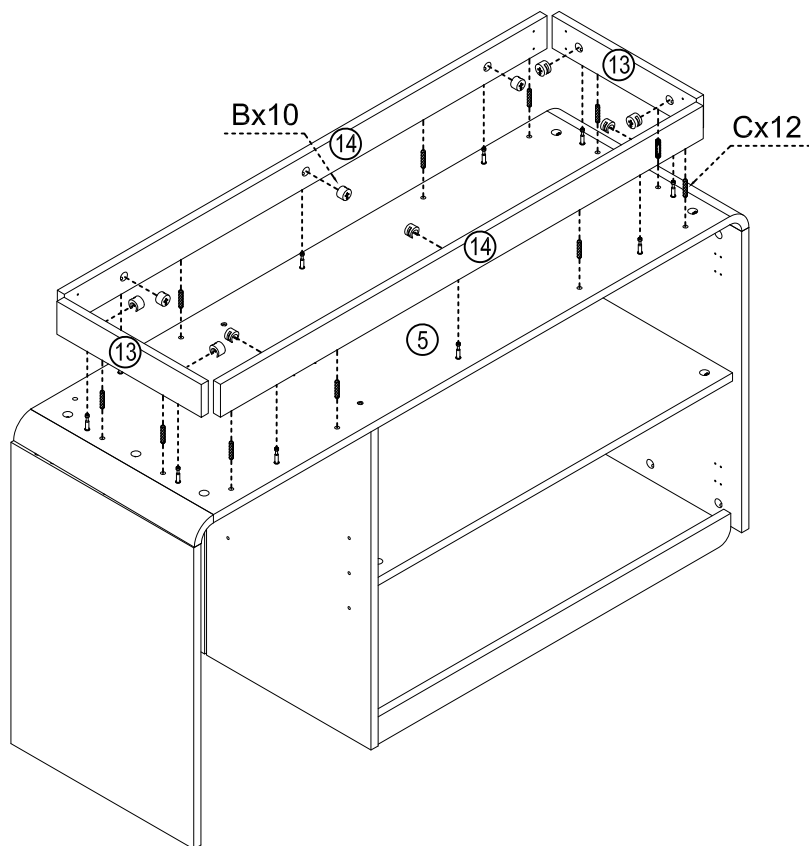
9.



B		C	
	M15x10mm CamLock		M8x30mm Dowel
	6pcs		8pcs
G		H	
	Hole stickers		M4x35mm Screw
	6pcs		2pcs

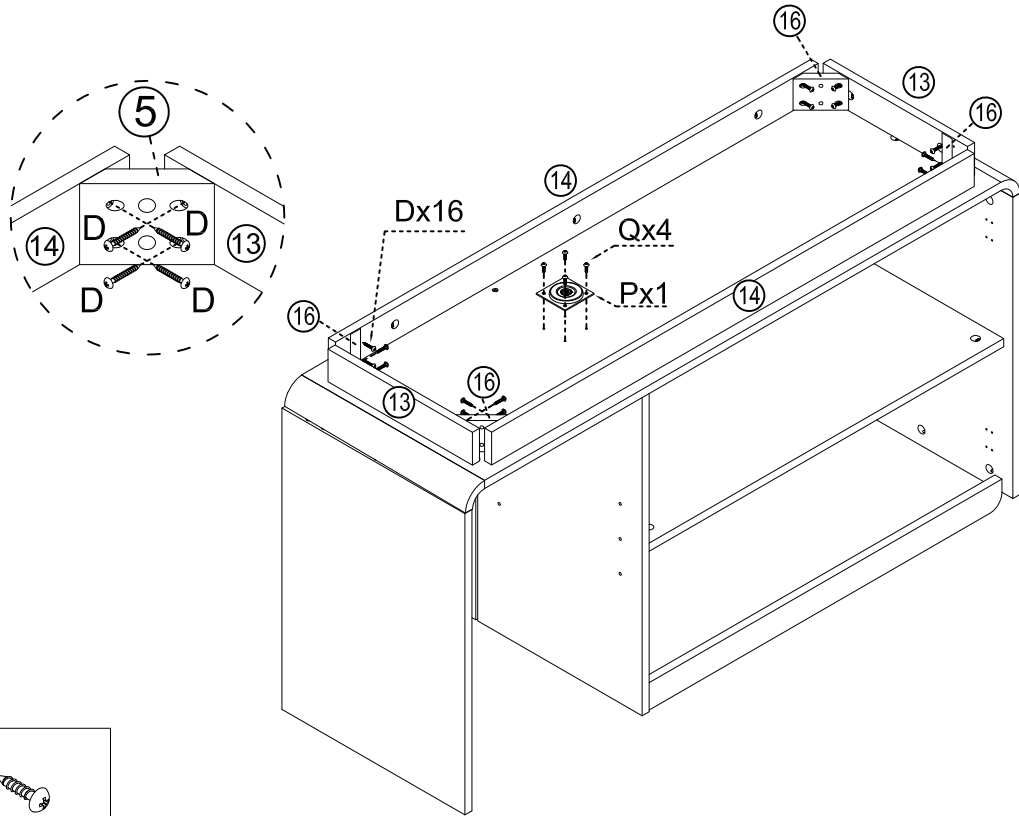


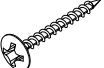
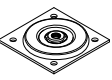

10.



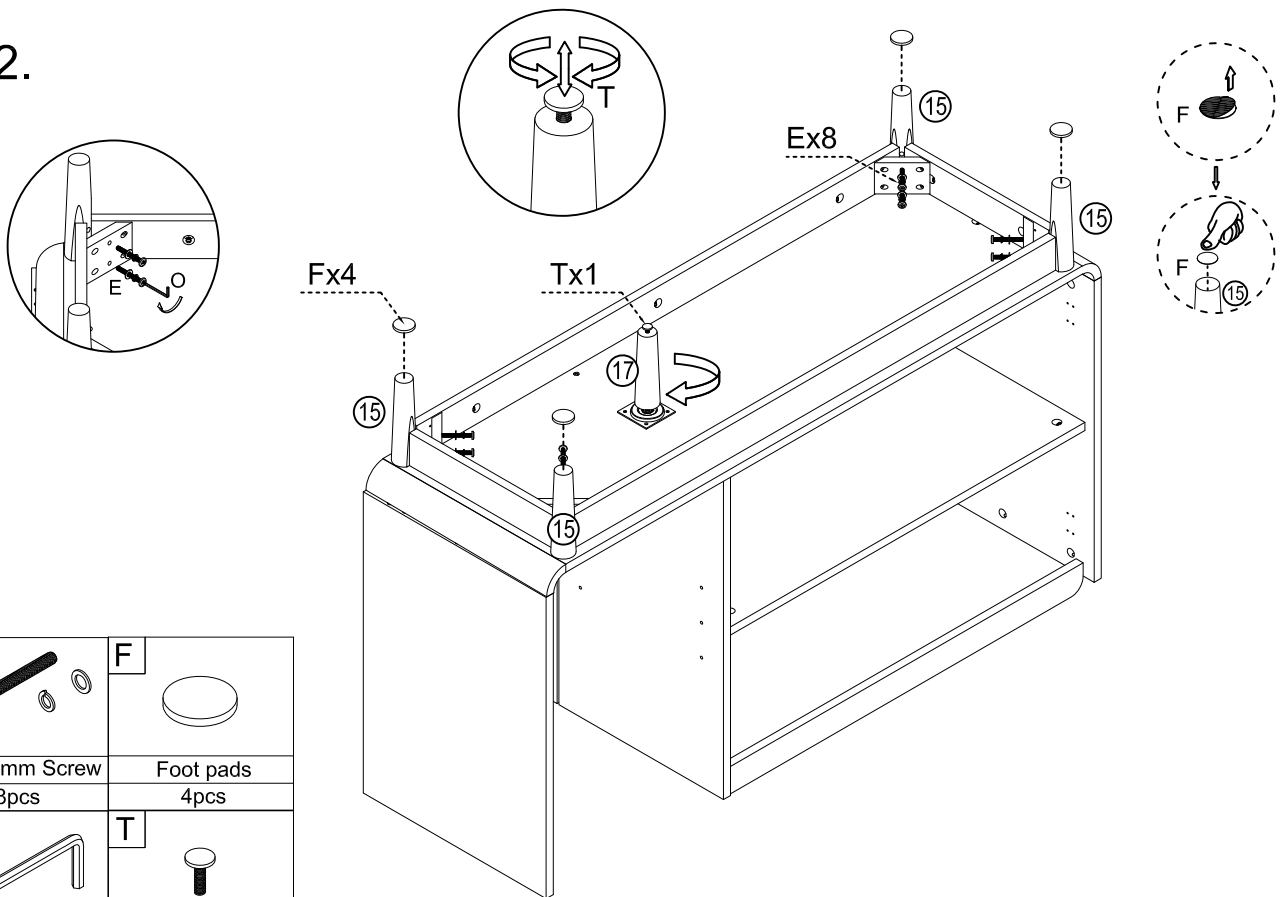
B		C	
	M15x10mm CamLock		M8x30mm Dowel
	10pcs		12pcs



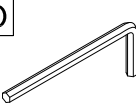

11.



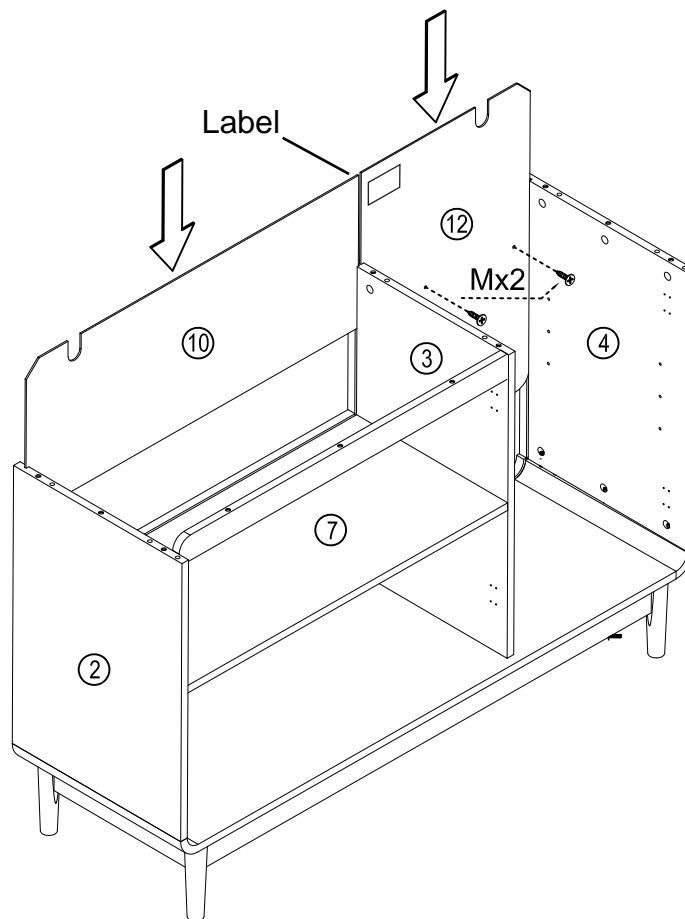
D		
	M4x25mm Screw	
	16pcs	
P		Q
	Gasket	
	1pc	M4x14mm Screw
		4pcs


12.



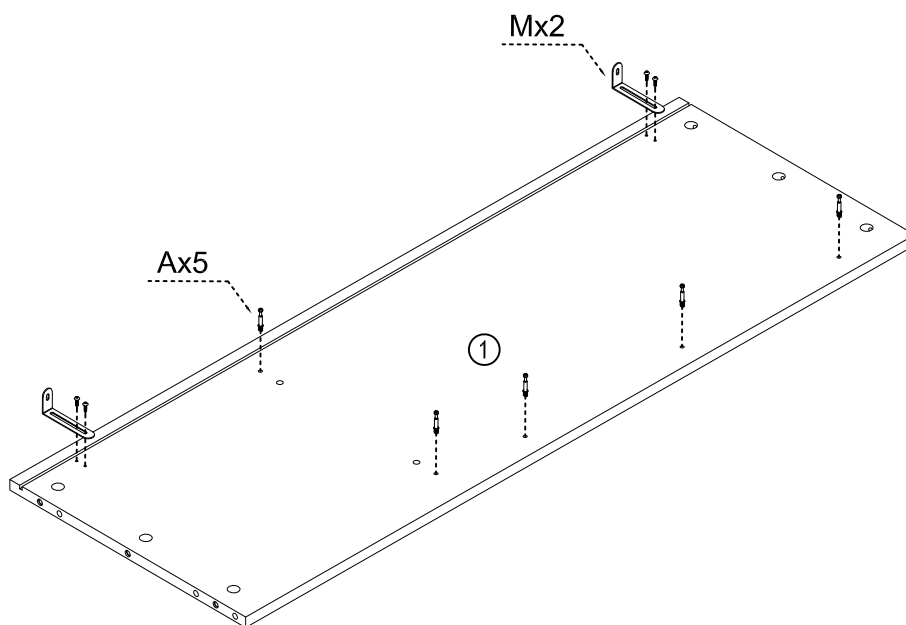
E		F	
	M6x55mm Screw		Foot pads
	8pcs		4pcs
O		T	
	Allen Key		Adjustable Footpad
	1pc		1pc

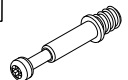

13.



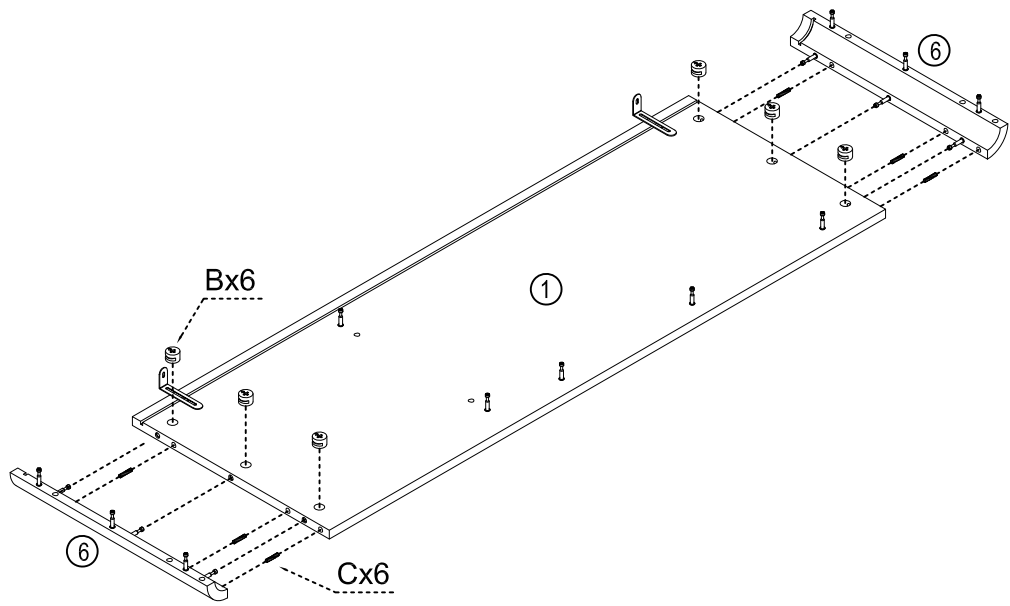
N	
M4x14mm Screw 2pcs	


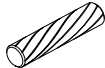
14.



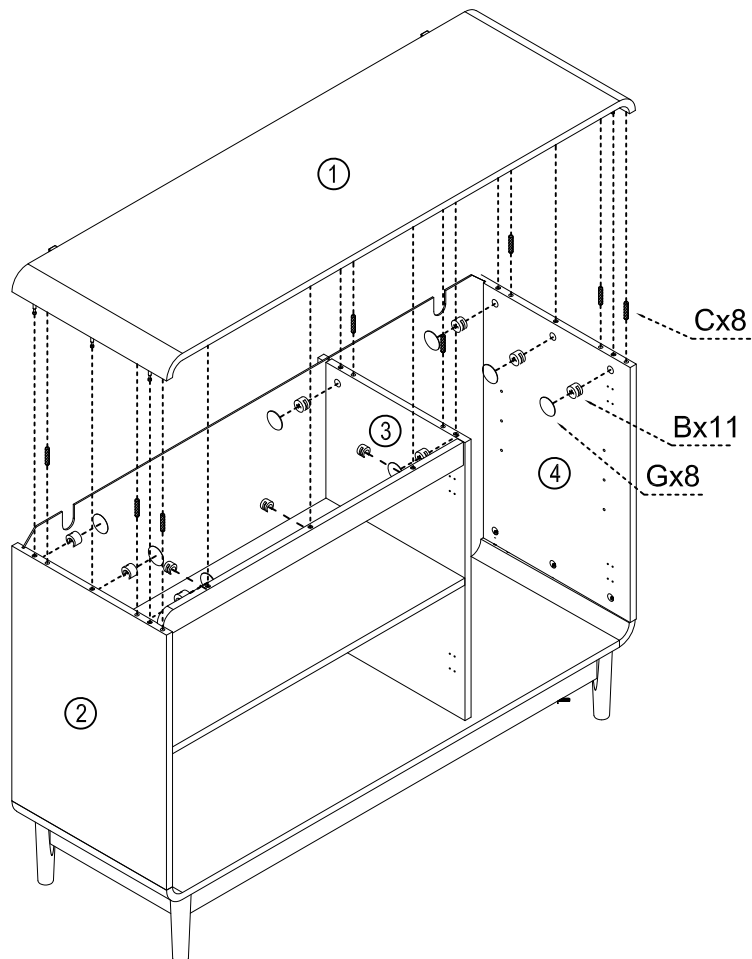
A		M	
M6x35mm Bolt 2pcs		Wall anchor kit 2sets	

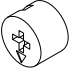


15.



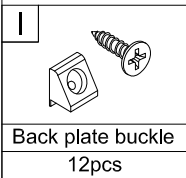
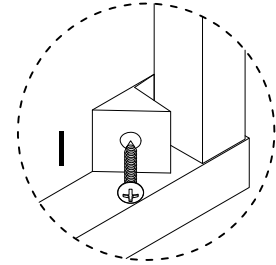
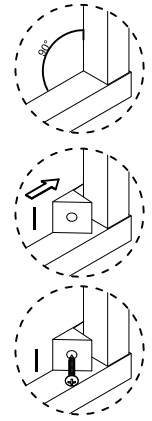
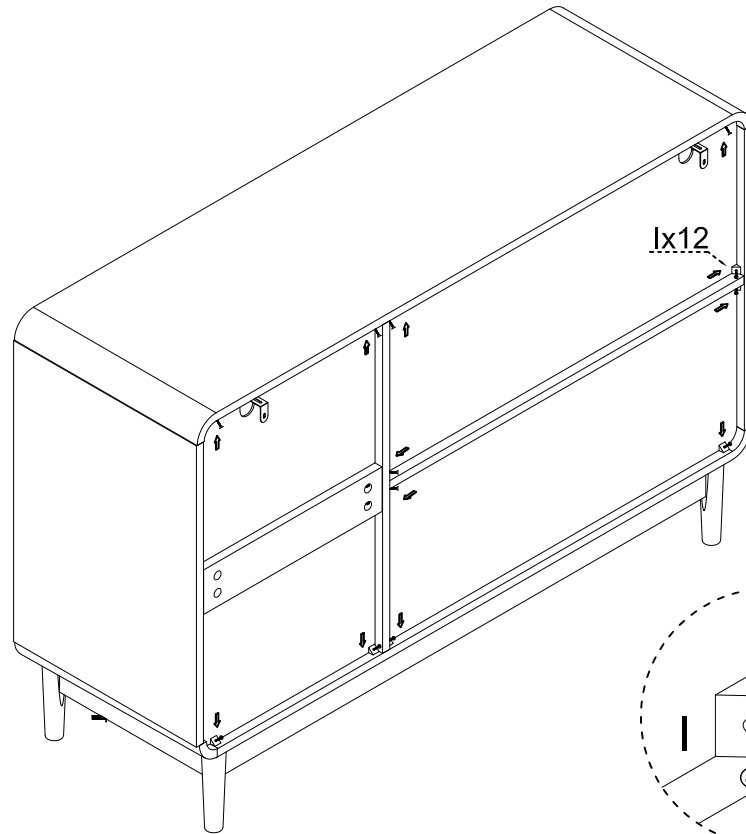
<p>B</p> 	<p>C</p> 
<p>M15x10mm CamLock 6pcs</p>	<p>M8x30mm Dowel 6pcs</p>

16.



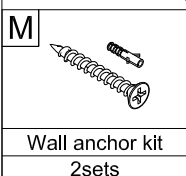
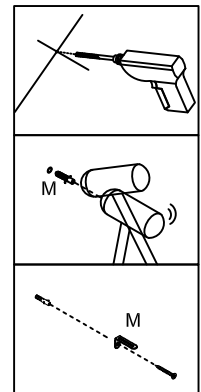
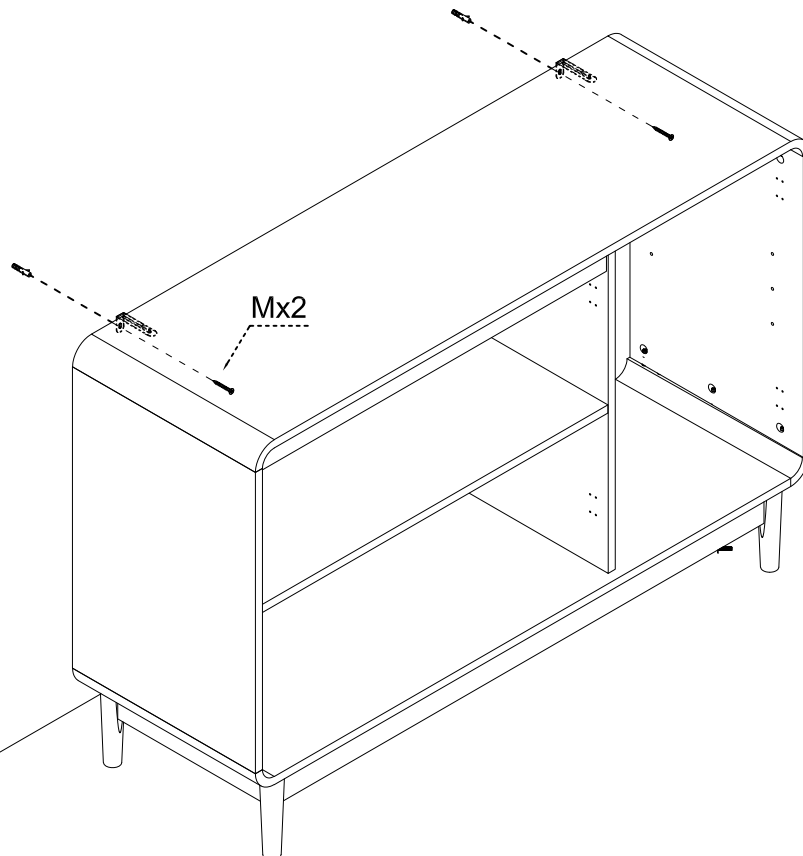
<p>B</p> 	
<p>M15x10mm CamLock 11pcs</p>	
<p>C</p> 	<p>G</p> 
<p>M8x30mm Dowel 8pcs</p>	<p>Hole stickers 8pcs</p>

17.



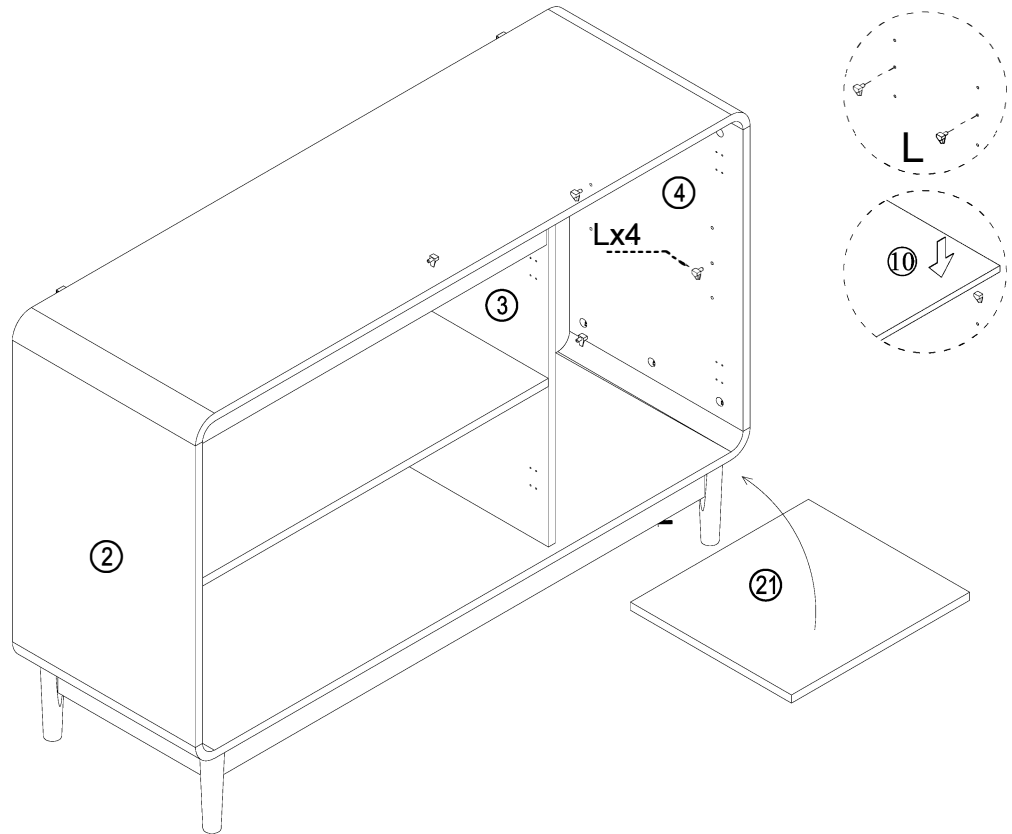
Back plate buckle
12pcs


18.



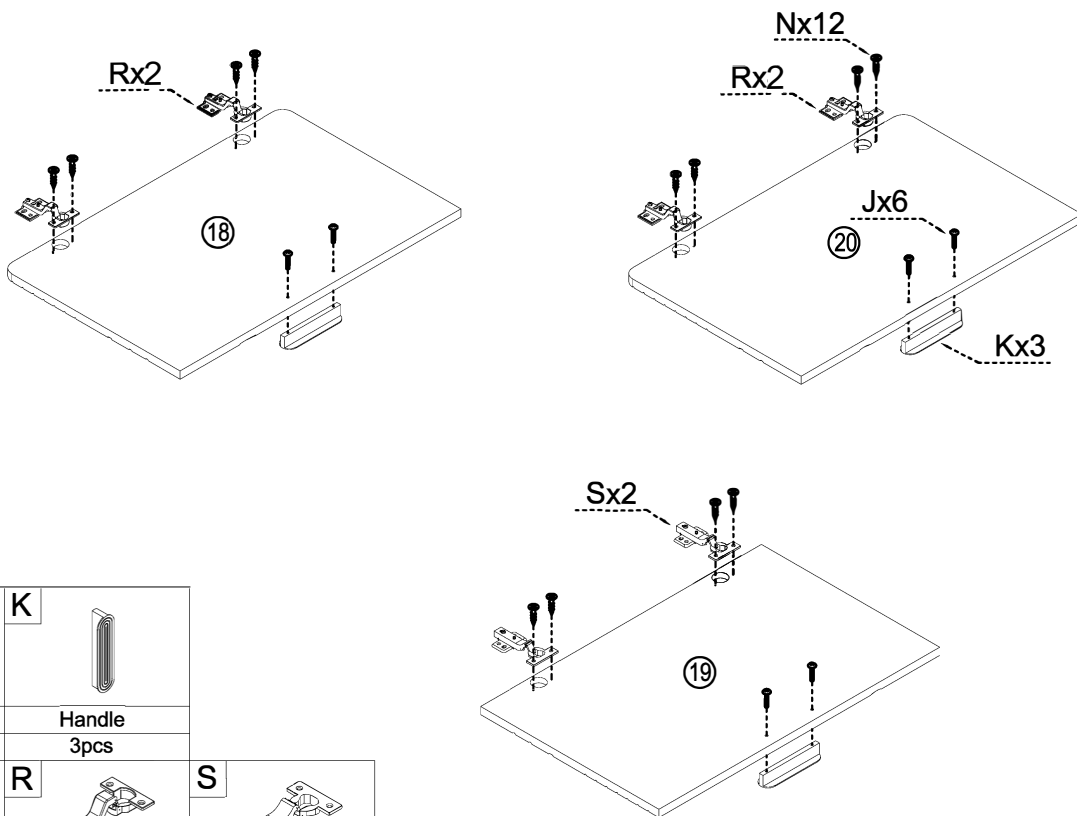
Wall anchor kit
2sets

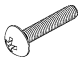


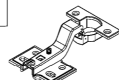
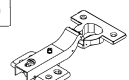
19.



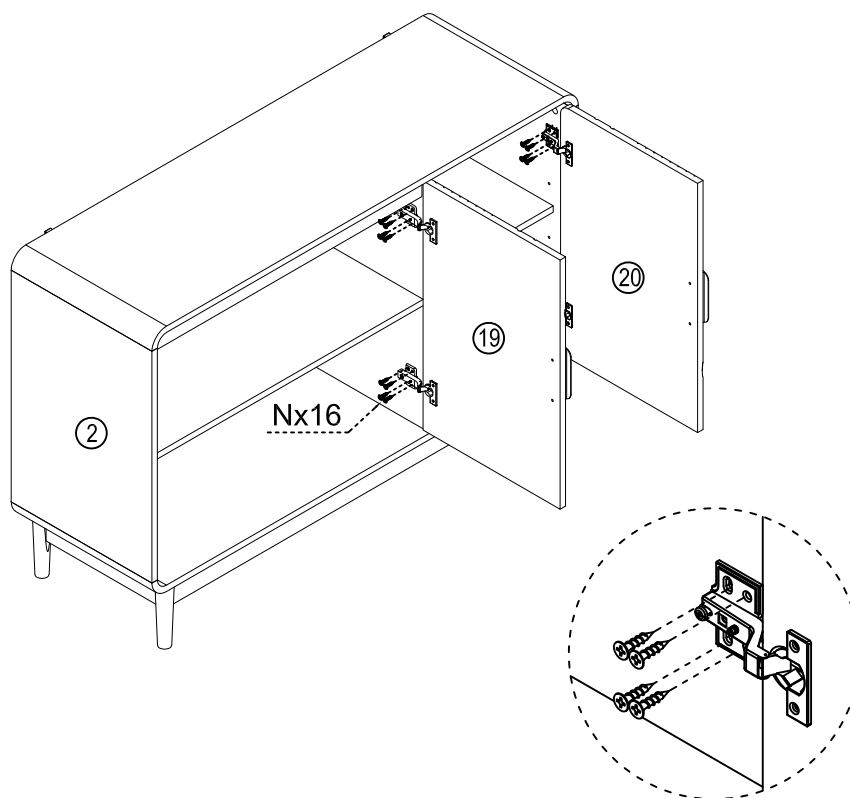
L	
Shelf Support 4pcs	

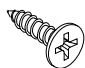
20.



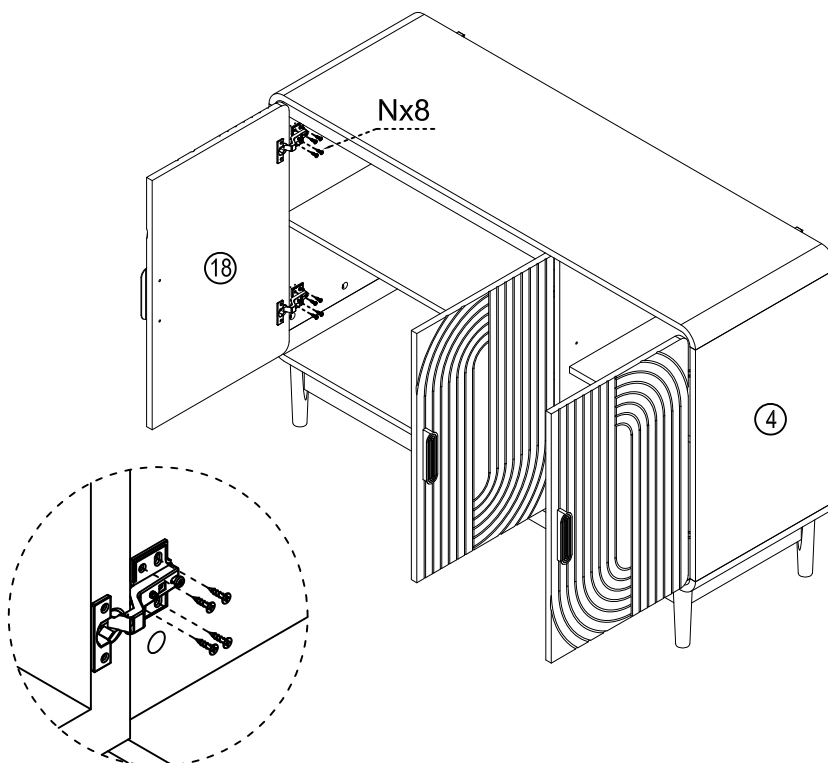
J		K			
M4x22mm Screw 6pcs		Handle 3pcs			
N		R		S	
M4x14mm Screw 12pcs		Full Overlay Hinge 4pcs		Half Overlay Hinge 2pcs	


21.



N

M4x14mm Screw 16pcs

22.



N

M4x14mm Screw 8pcs