

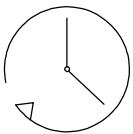
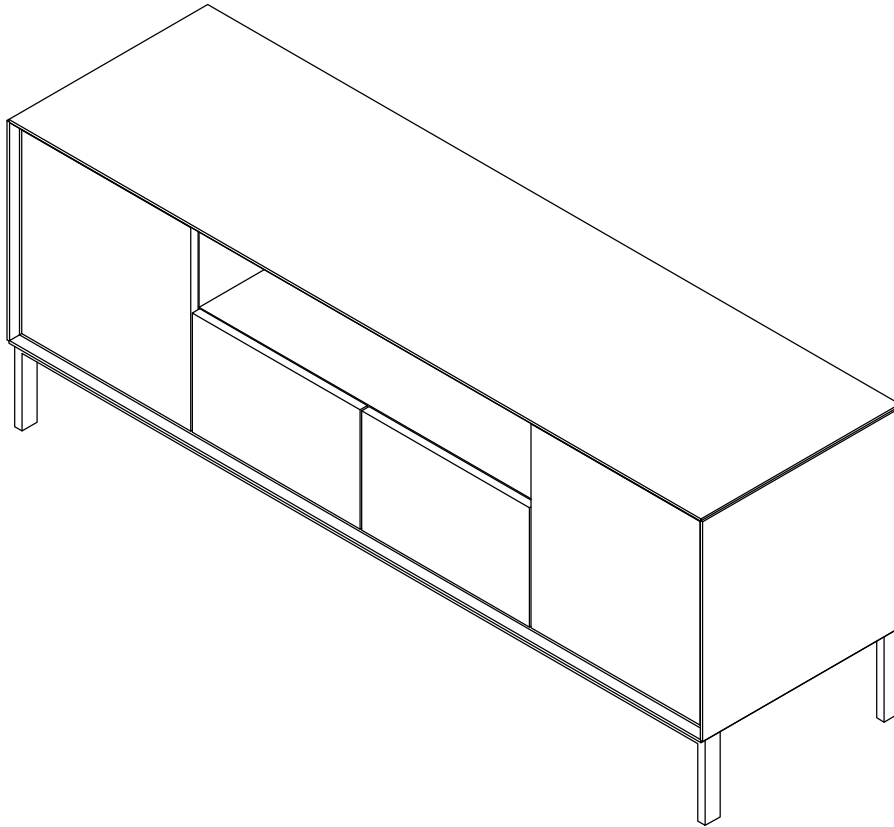
DUSK.COM

LIVING | BEDROOM | DINING

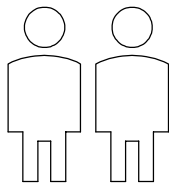
Range Name:NOVA

Box1 dimensions:L154xW52xH17(cm)

Nova TV Unit



Up to 50 minutes
assembly time



Two person
assembly

This product is intended for domestic use only, not commercial purposes.

IMPORTANT

ASSEMBLY TIP

Before you begin , it's best to identify all of the parts and fittings to build your TV Unit frame. We advise laying these out on the clean and flat floor to check you have everything , and to familiarise yourself with all of the parts and fittings before building.

TOP TIP

We recommend that you assemble the TV Unit in the room you'd like it to be located. This will help prevent any risk of damage to the frame whilst moving it.

SAFETY AND CARE

1. Do not stand on your product. Pregnant women should take additional care when using this product. Do not leave the child unattended. Children should always be under direct adult supervision whilst using this product. Always use on firm level ground, ensuring all legs remain in contact with the ground.
2. It's important to ensure children and animals are kept away from the assembly area, as there are small components used in this product which could present a choking hazard. All plastic and wrapping materials should also be kept away from children and animals to prevent any risk of suffocation.

HELP AND SUPPORT

Please contact our customer service team on 0113 519 0311 if you have any questions or issues with your purchase.

RECYCLING

Please ensure that packaging is disposed of in a safe and environmentally friendly way, and recycle where possible. Please keep your assembly instructions safe to refer back to in the future.

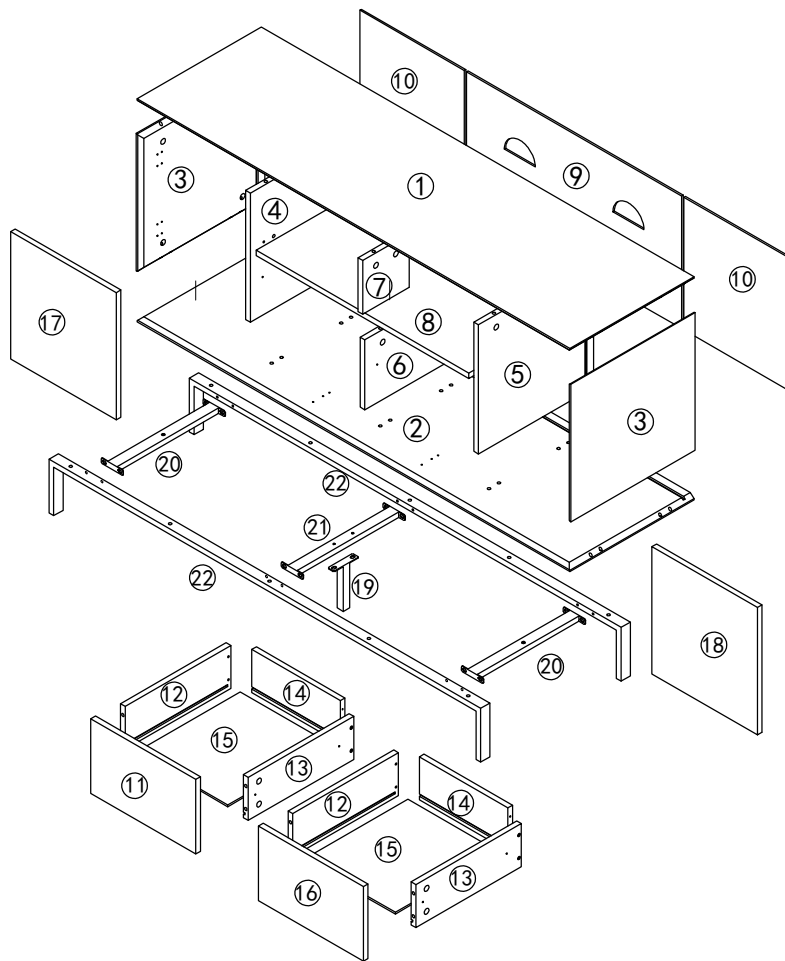
CARE AND MAINTENANCE:

1. Only use clean, colourless sponge or cloth to avoid any colour transfer or smearing , do not use bleach or abrasive cleaners as they may damage the TV Unit top over time.
2. Do not use a very wet cloth or allow any liquid to contact with the TV Unit for a long period of time. Wipe any spillage immediately.
3. Do not scrub or rub the surface when cleaning.
4. Do not drag the TV Unit when moving , lift it off the floor instead.
5. Use a placemat or a coaster when putting hot items (e . g . hot drinks and dishes) on the TV Unit surface.
6. It is not recommended to place the item next to sources of heat such as radiators , fires or directly exposed to sunlight.
7. Regularly check all fixings to ensure none have come loose . Re - tighten if necessary.
8. Avoid sharp items such as a screwdriver or any pointy tools.
9. Dispose of all packaging carefully and responsibly - recycle where possible.
10. Due to the delicate nature of this product , please gently place hard items onto the TV Unit top to avoid damaging the surface.

Parts List

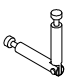
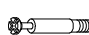

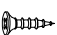
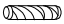


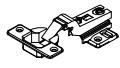


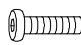


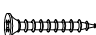
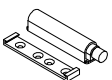


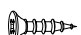
Before you begin building your Nova TV Unit, please take a moment to read through the instructions and make sure that you have all the relevant parts listed on the parts check list.

Part Number	Part Description	Quantity
①	TV Unit top	1 pc
②	Bottom panel	1 pc
③	Side panel	2 pcs
④	Left middle panel	1 pc
⑤	Right middle panel	1 pc
⑥	Lower middle panel	1 pc
⑦	Upper middle panel	1 pc
⑧	Shelf	1 pc
⑨	Middle back panel	1 pc
⑩	Side back panel	2 pcs
⑪	Left drawer front	1 pc
⑫	Drawer left panel	2 pcs
⑬	Drawer right panel	2 pcs
⑭	Drawer back panel	2 pcs
⑮	Drawer base	2 pcs
⑯	Right drawer front	1 pc
⑰	Left door	1 pc
⑱	Right door	1 pc
⑲	Centre Leg	1 pc
⑳	Side Leg Support	2 pcs
㉑	Middle Leg Support	1 pc
㉒	Legs	2 pcs


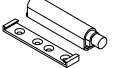

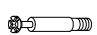



Fittings


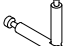

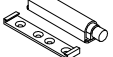
Please check you have all the fittings listed below with your product

A  M6x84 CAM Lock Screw 8pcs +1pc extra	B  M6x44 CAM Lock Screw 20pcs+2pcs extra	C  Φ15x11mm CAM Lock 36pcs+2pcs extra	D  M3.5x14mm Screw 24pcs+2pcs extra	E  Φ6x25mm Wooden Dowel 8pcs+1pc extra	F  Φ8x30mm Wooden Dowel 16pcs+2pcs extra	G  M7x50mm Screw 8pcs+1pc extra	H  Hinge 4pcs	
I  Φ20mm Cover 22pcs+2pcs extra	J  M6x12mm Bolt 14pcs +1pc extra	K  M6x25mm Bolt 12pcs +1pc extra	L  15x9mm Plastic Buckle 12pcs+1pc extra	M  4mm Allen Key 1pc	N  M3.5x35mm Screw 8pcs+1pc extra	O  83x14x19mm Pusher 4pcs	P  Ø16mm Screw and Washer 4pcs	
Q  M6 Adjustable Foot 1pc	R  M4x14mm Screw 24pcs +2pcs extra							

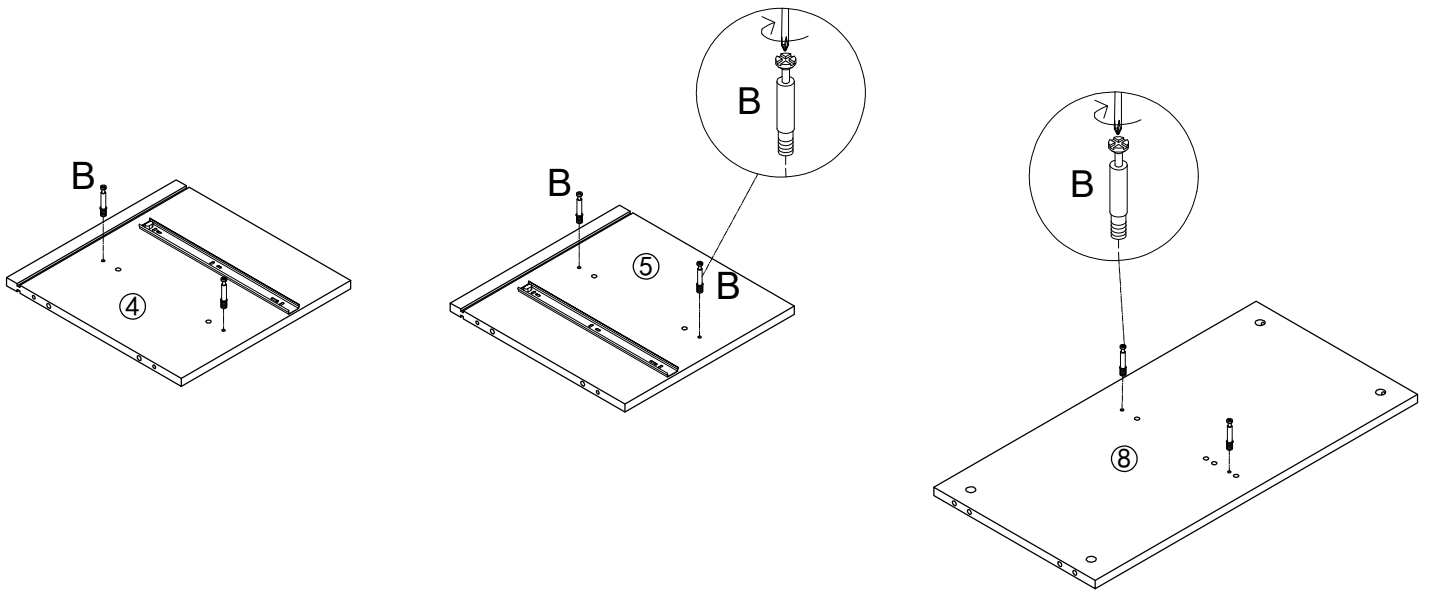
1. Attach parts to the TV Unit Top.

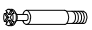
		
M3.5x14mm Screw 6pcs	83x14x19mm Pusher 2pcs	
		
M6x84 CAM Lock Screw 4pcs	M6x44 CAM Lock Screw 6pcs	Φ15x11mm CAM Lock 4pcs

2. Attach parts to the Bottom Panel.

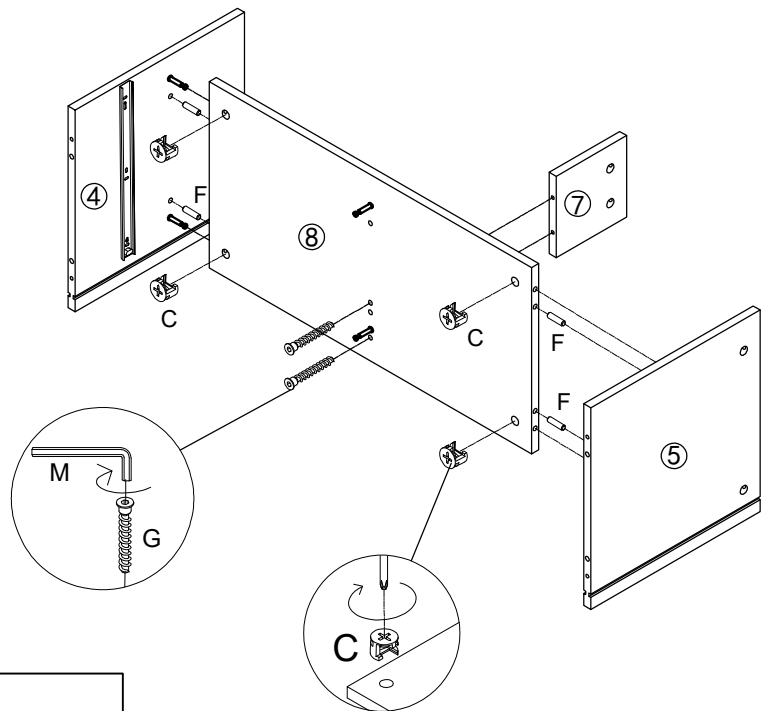
		
M3.5x14mm Screw 6pcs		
		
M6x84 CAM Lock Screw 4pcs	Φ15x11mm CAM Lock 4pcs	83x14x19mm Pusher 2pcs





3. Attach parts to the Left and Right Middle Panel and the Shelf.



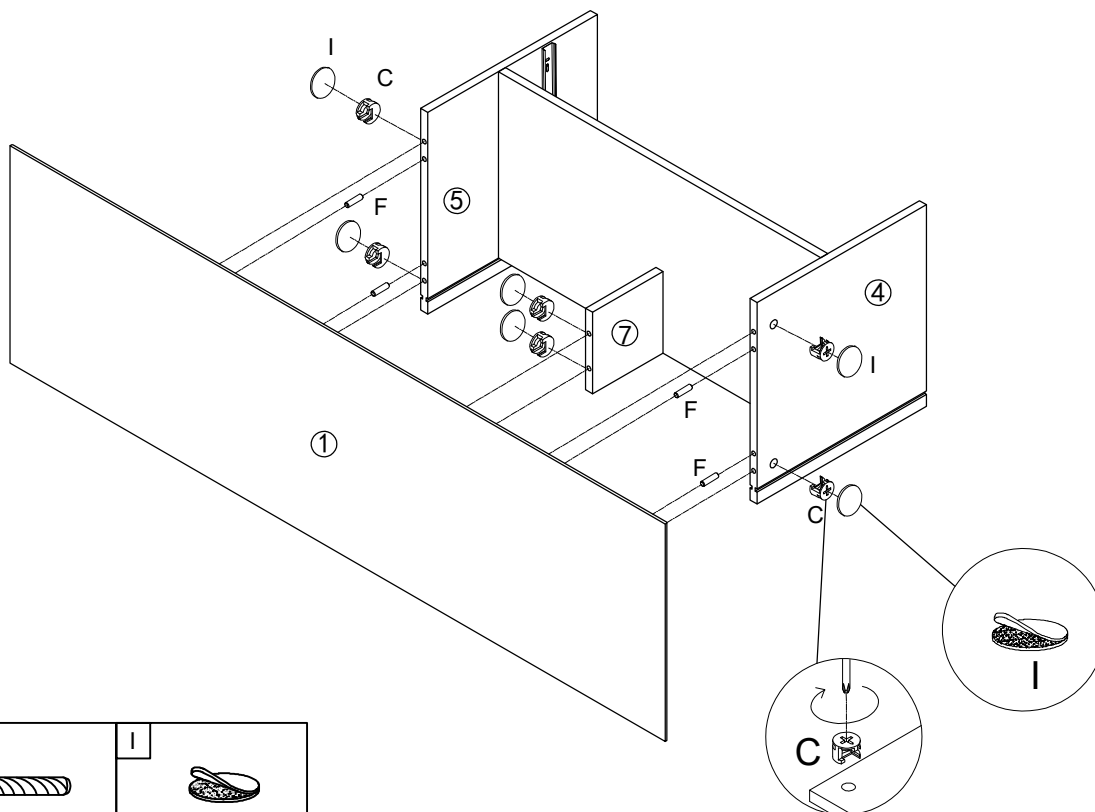
B	
	M6x44 CAM Lock Screw
	6pcs




4. Attach the Left and Right Middle Panels and the Upper Middle Panel to the Shelf.



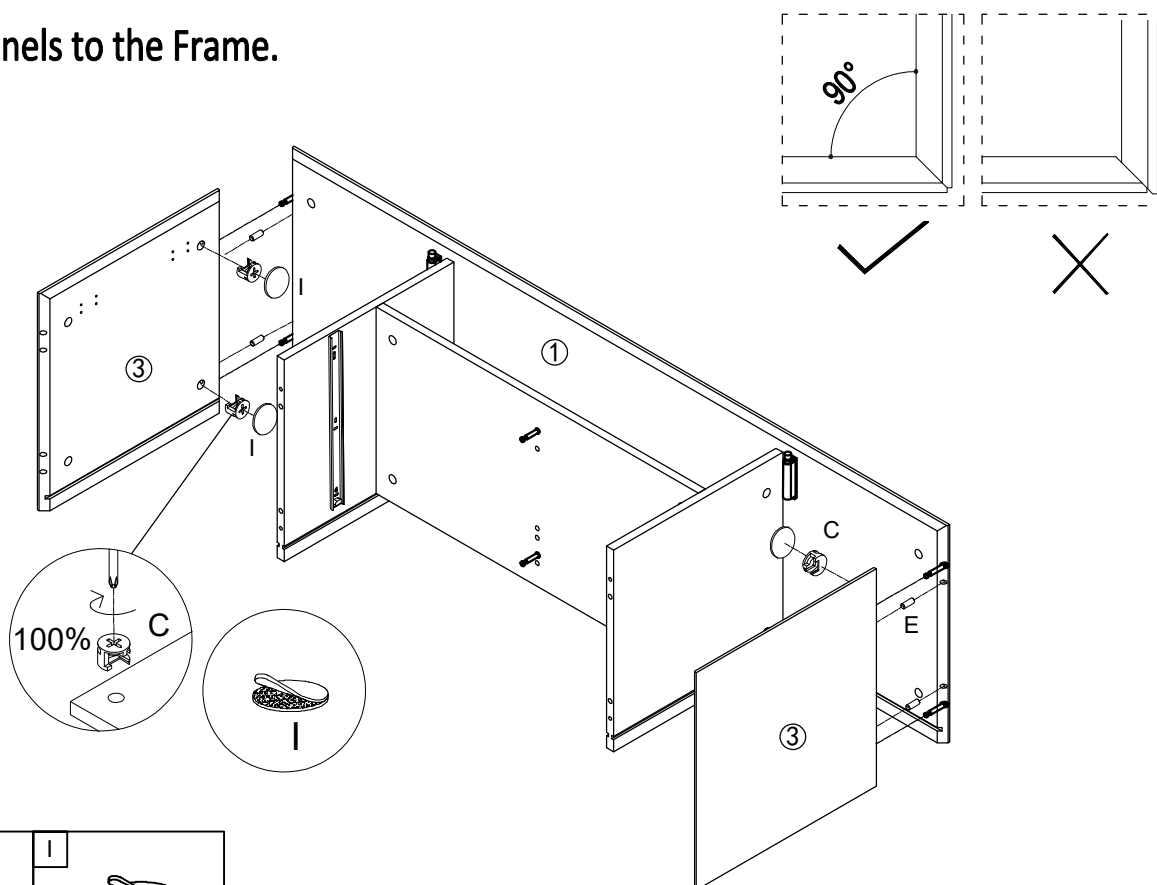
C		G		M		F	
	Φ15x11mm CAM Lock		M7x50mm Screw		4mm Allen Key		Φ8x30mm Wooden Dowel
	4pcs		2pcs		1pc		4pcs




5. Attach the TV Unit Top to the Frame.



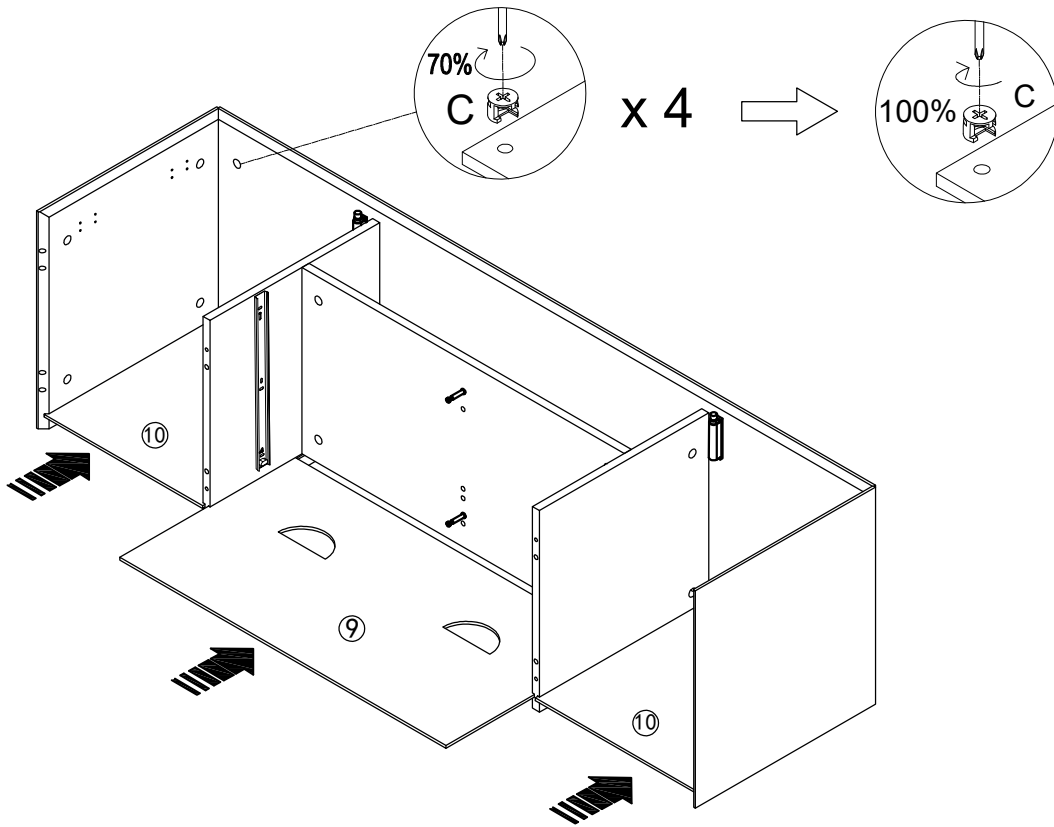
C	F	I
		
Φ15x11mm CAM Lock	Φ8x30mm Wooden Dowel	Φ20mm Cover
6pcs	4pcs	6pcs

6. Attach the Side Panels to the Frame.

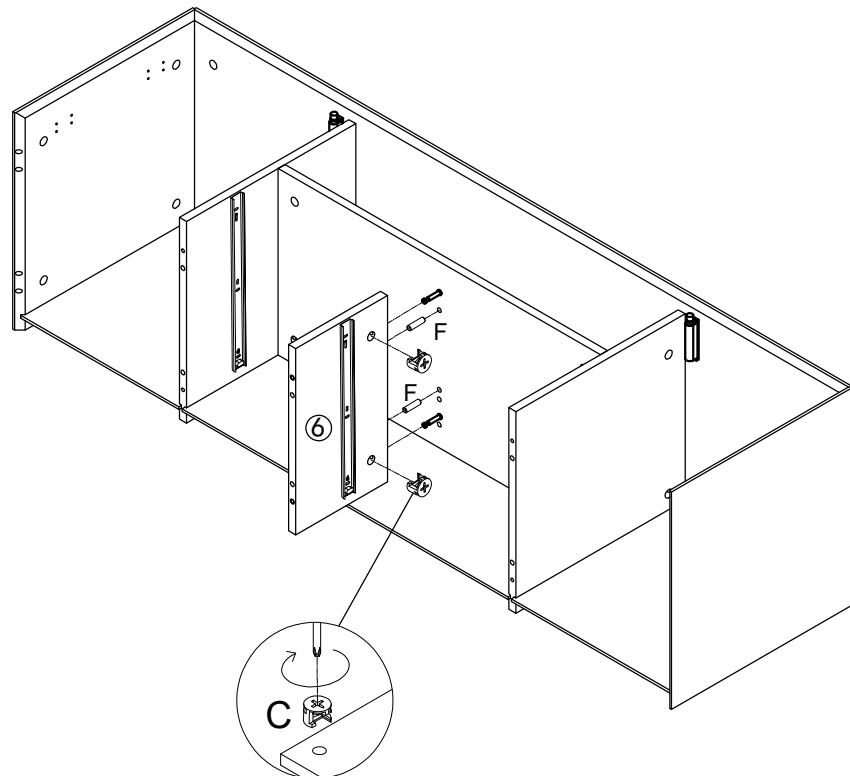




C	E	I
		
Φ15x11mm CAM Lock	Φ6x25mm Wooden Dowel	Φ20mm Cover
4pcs	4pcs	4pcs

7. Lock the CAM Locks tightly, slide the Back Panels into the Frame.

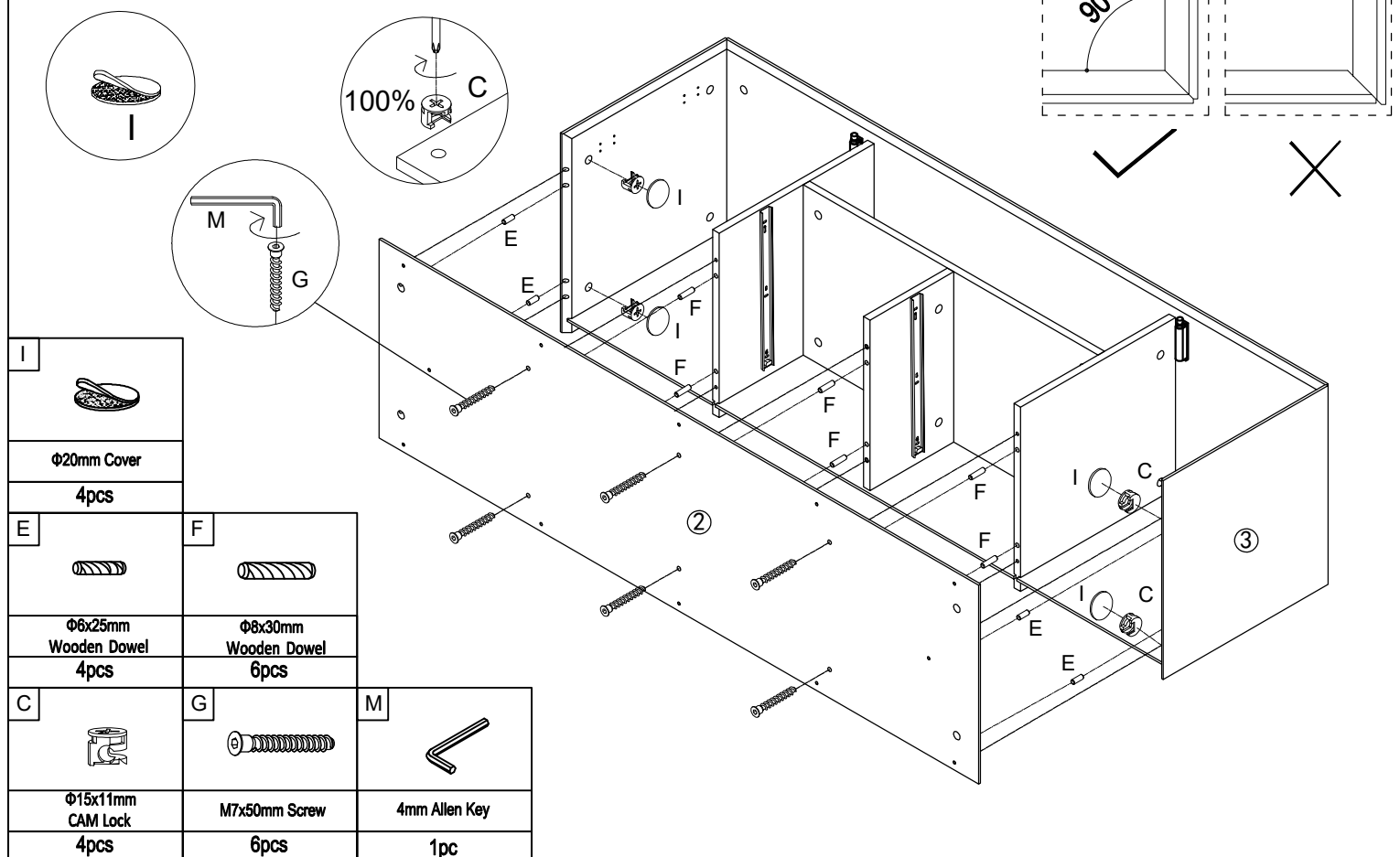


8. Attach the Lower Middle Panel to the Frame.

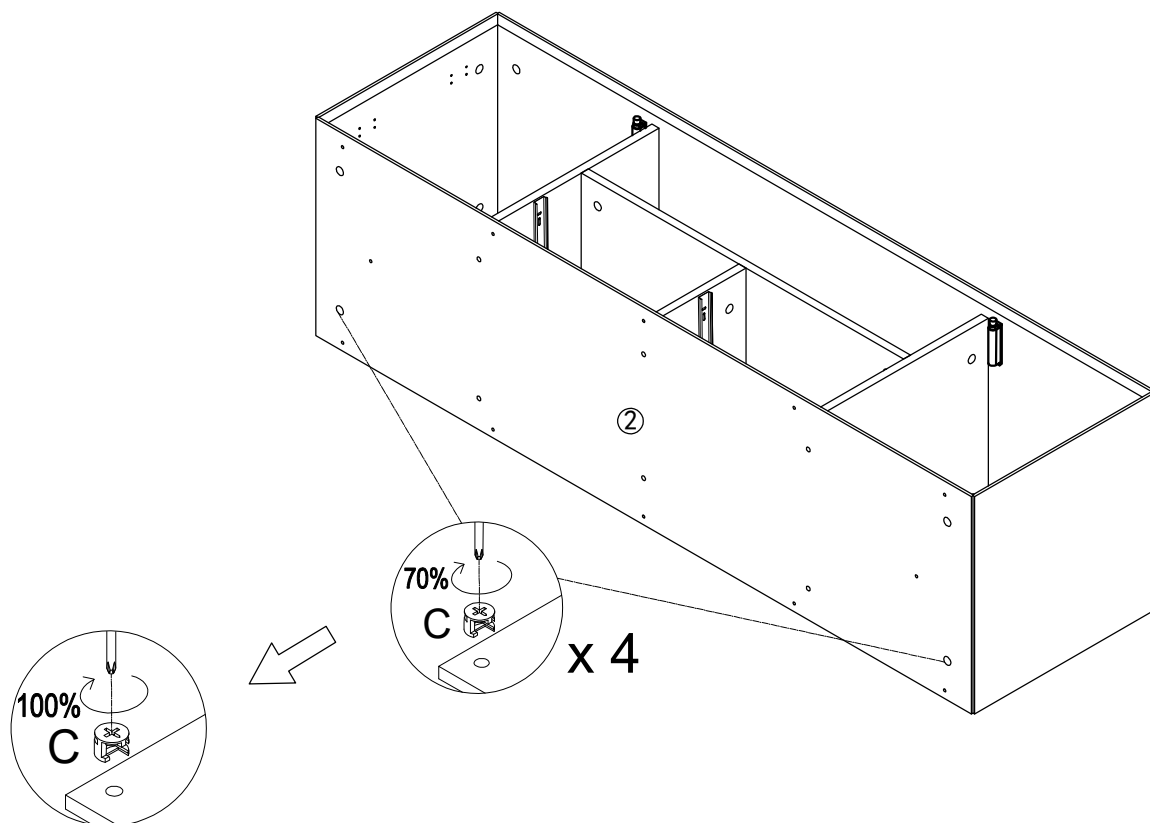


C	F
	
Φ15x11mm CAM Lock	Φ8x30mm Wooden Dowel
2pcs	2pcs

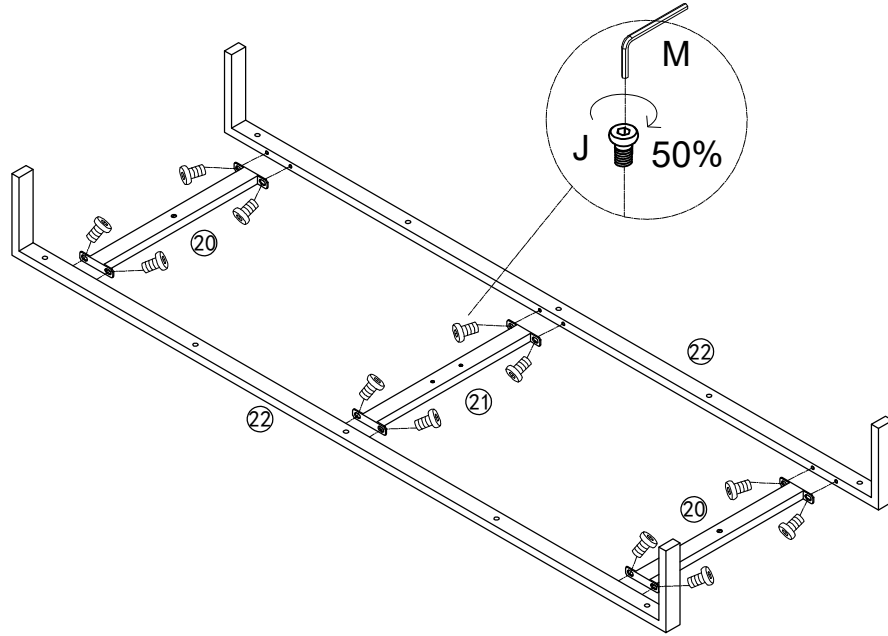
9. Attach the Bottom Panel to the Frame.

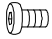



10. Lock the CAM Locks tightly.

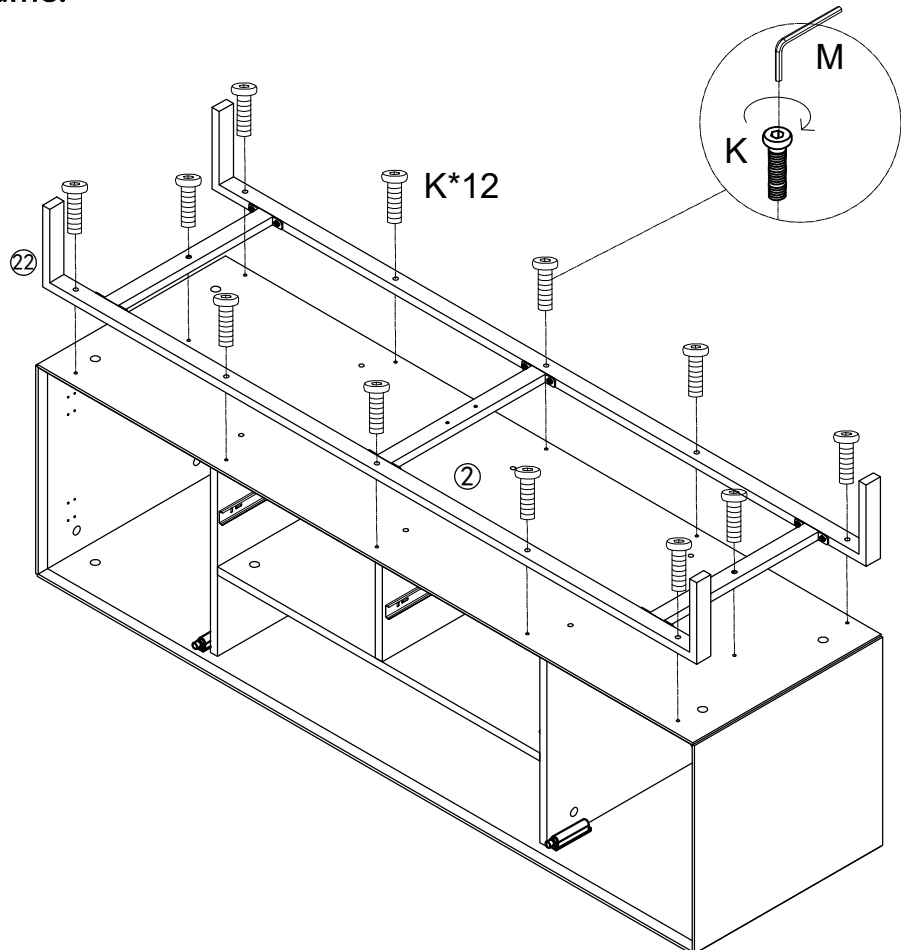


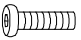

11. Attach the Legs to the Leg Supports.



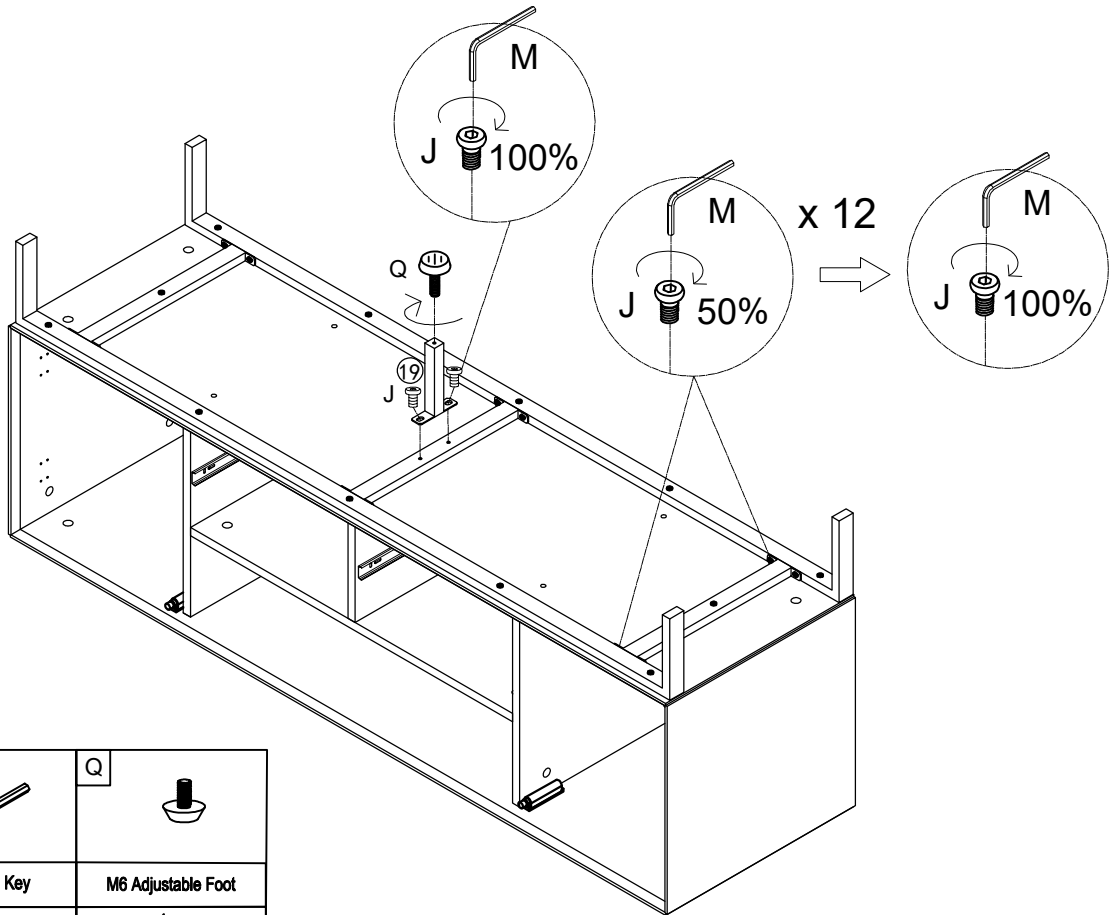
J	M
	
M6x12mm Bolt	4mm Allen Key
12pcs	1pc




12. Attach the Legs to the Frame.



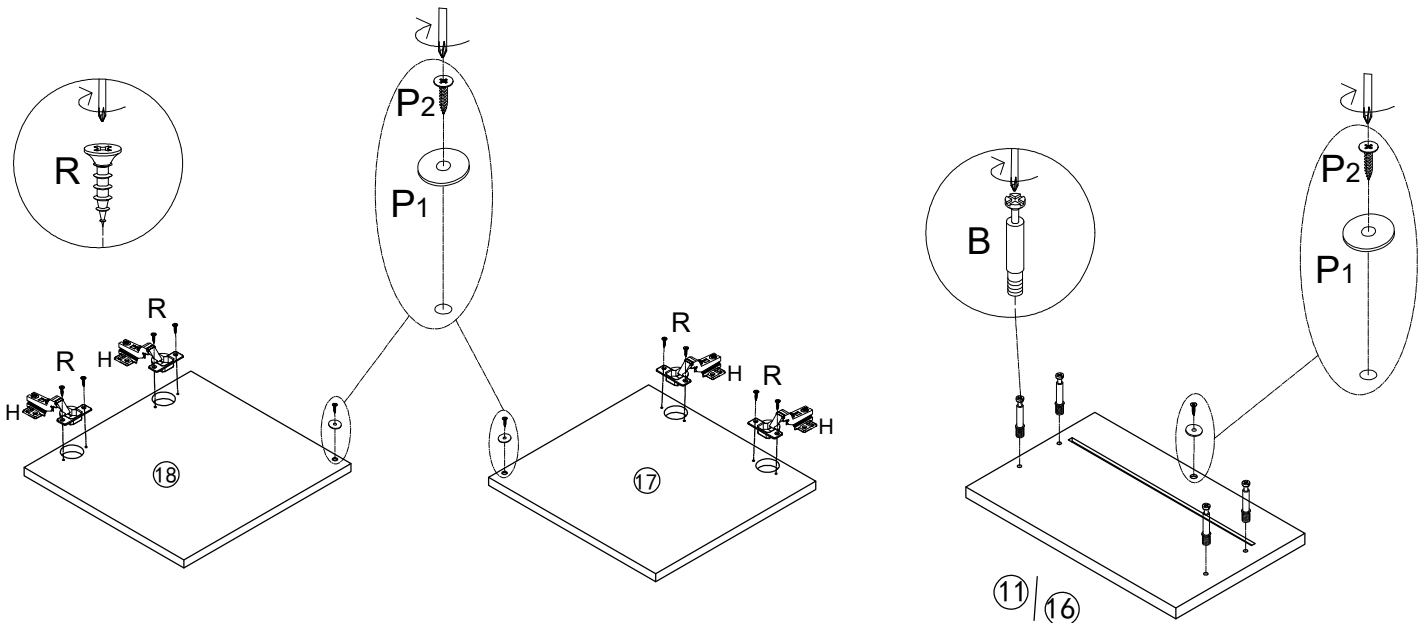
K	M
	
M6x25mm Bolt	4mm Allen Key
12pcs	1pc

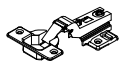


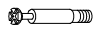
13. Attach the Centre Leg to the frame and Lock the Bolts tightly.



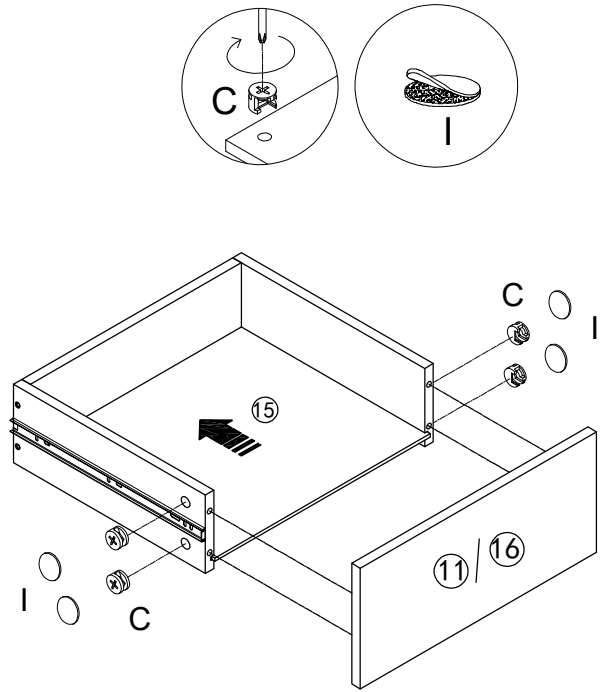
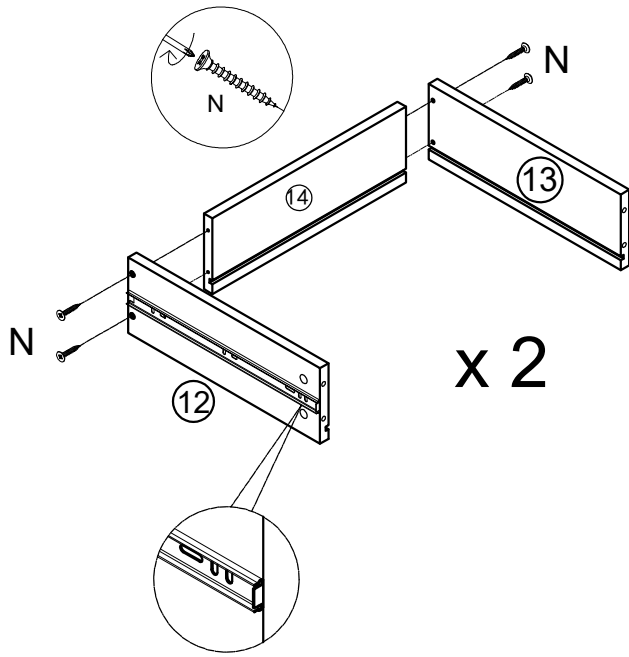
J	M	Q
		
M6x12mm Bolt	4mm Allen Key	M6 Adjustable Foot
2pcs	1pc	1pc

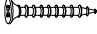


14. Attach parts to the Doors and Drawer fronts.



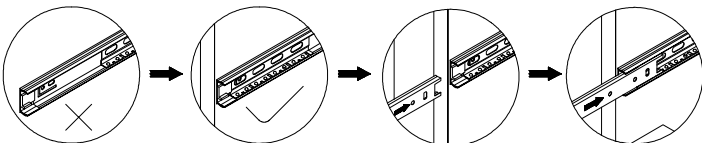
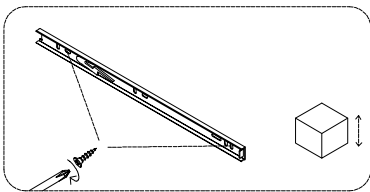
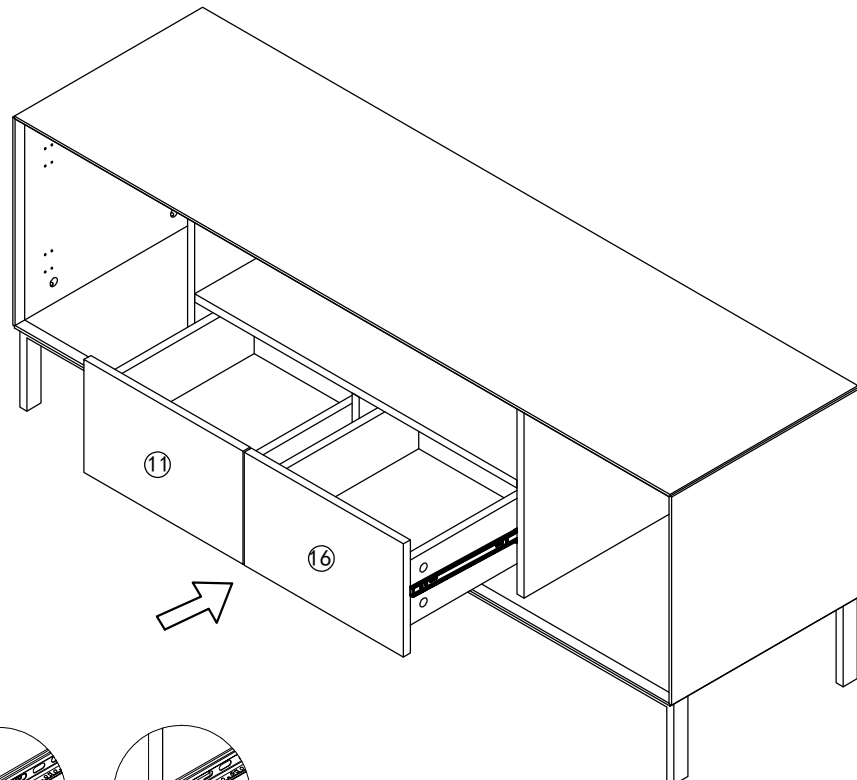
H	R	P	B
			
Hinge	M4x14mm Screw	Ø16mm Screw and Washer	M6x44 CAM Lock Screw
4pcs	8pcs	4pcs	8pcs

15. Assemble the drawers.

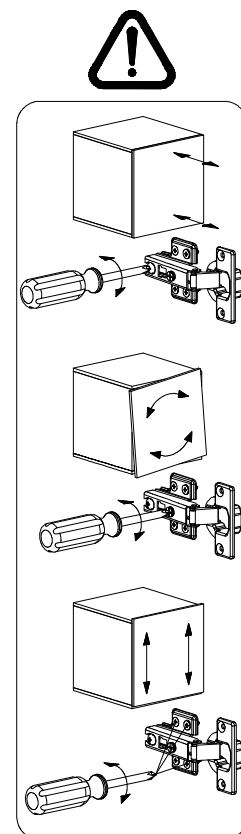
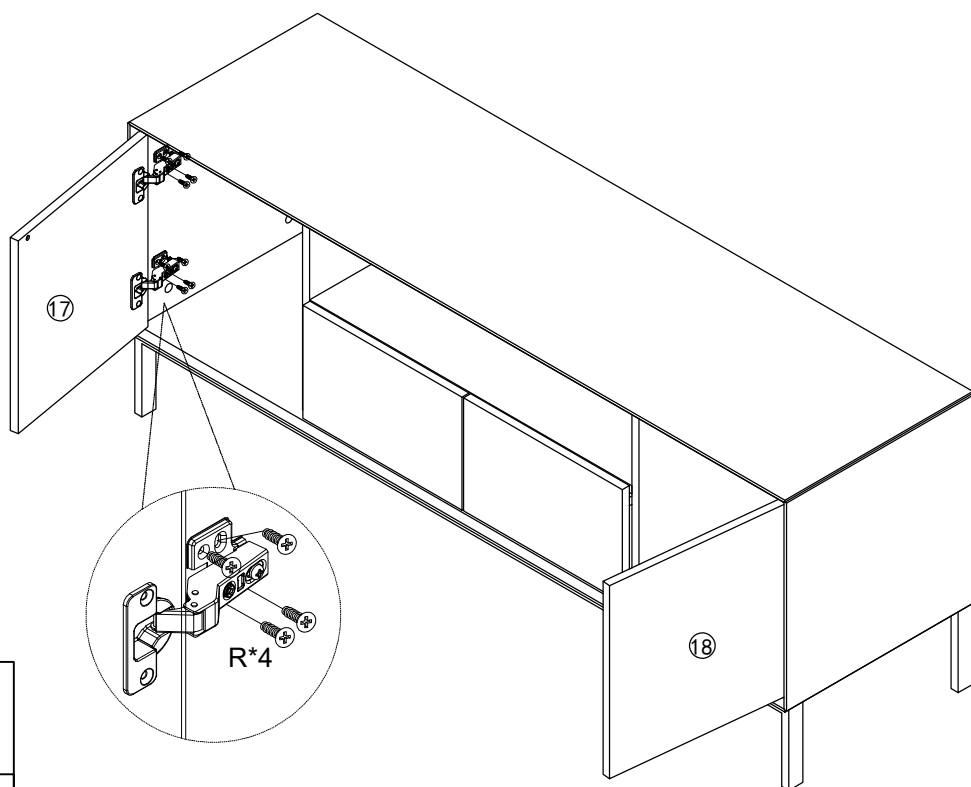



N	C	I
		
M3.5x35mm Screw 8pcs	Φ15x11mm CAM Lock 8pcs	Φ20mm Cover 8pcs

16. Assemble the drawers in the Chest.

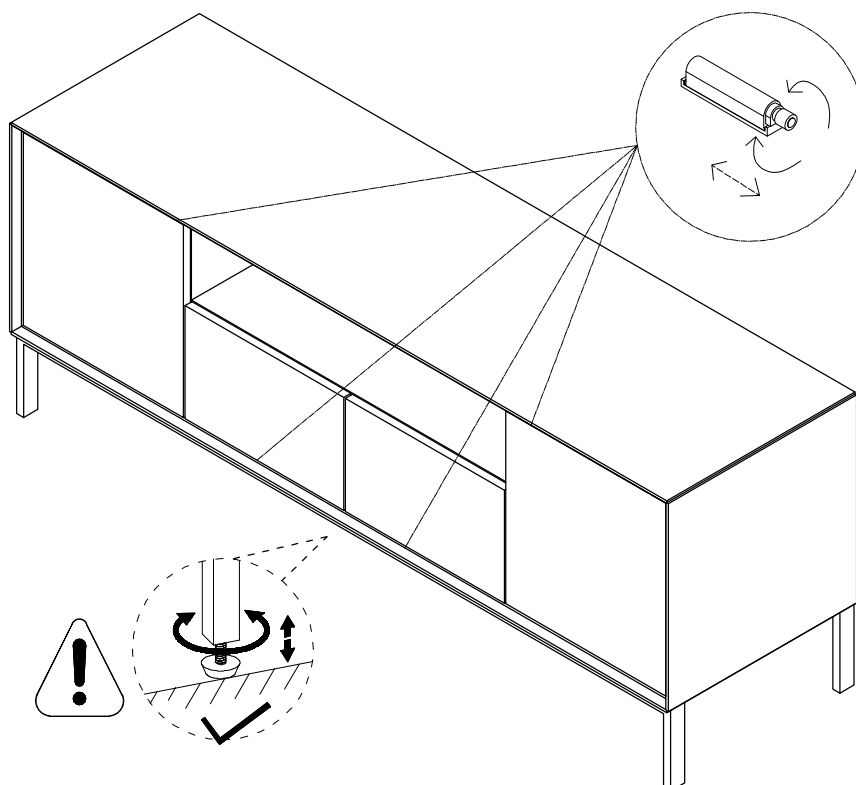


17. Attach the Doors to the Frame.

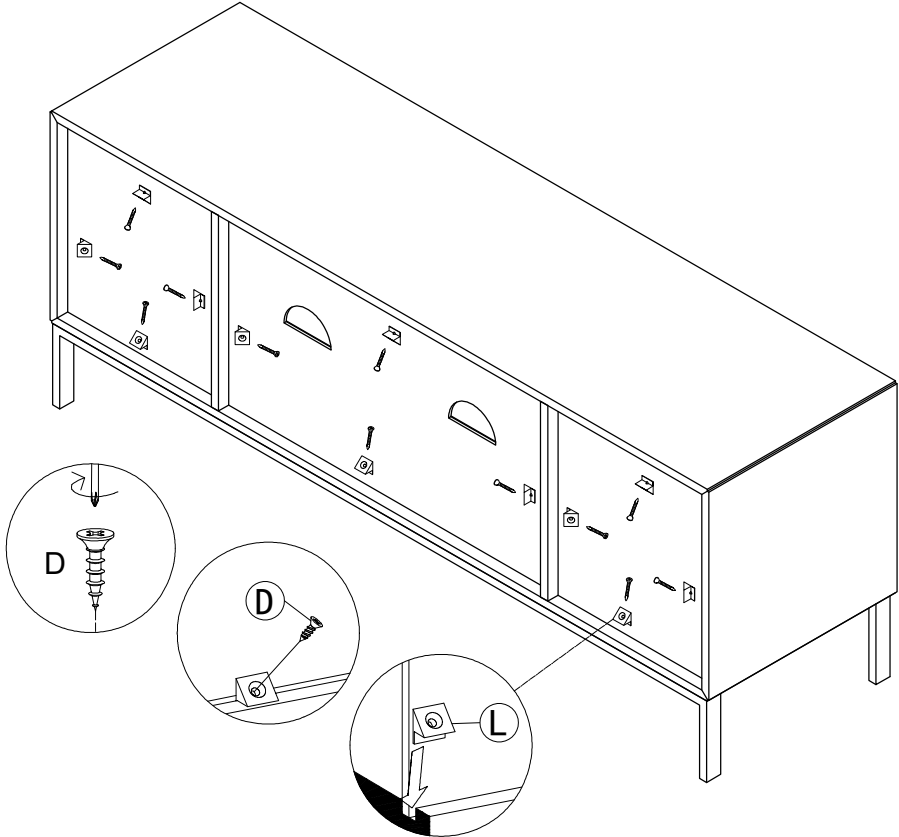




R

M4x14mm Screw
16pcs

18. Adjust the pushers and the adjustable foot to appropriate position.



19. Attach the Plastic Buckles.



D	L
	
M3.5x14mm Screw	15x9mm Plastic Buckle
12pcs	12pcs

