

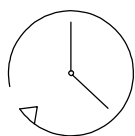
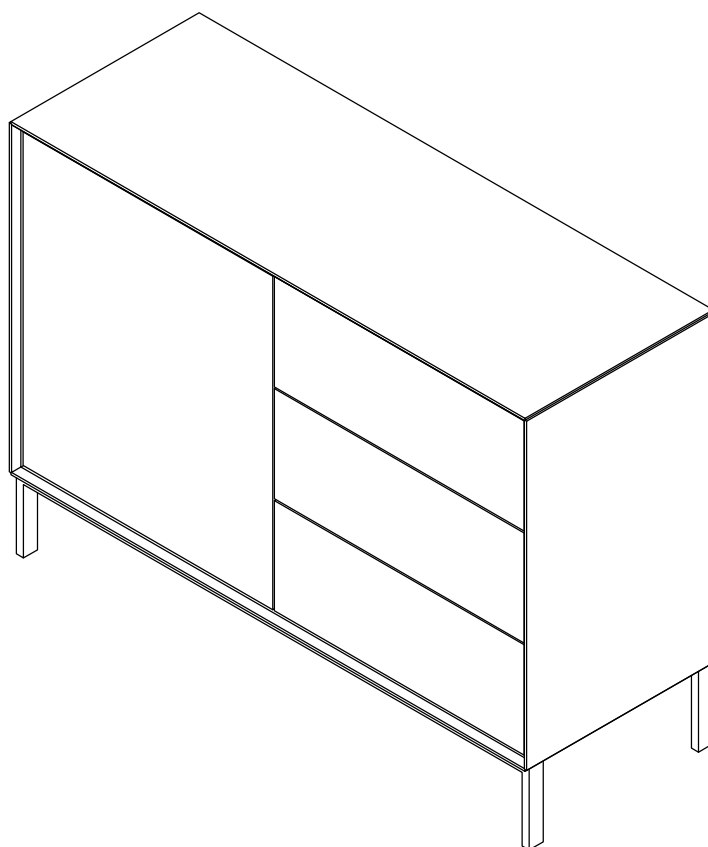
# DUSK.COM

LIVING | BEDROOM | DINING

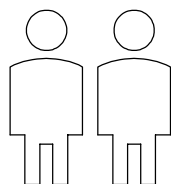
Range Name:NOVA

Box1 dimensions:L139xW65.7xH18.5(cm)

## Nova sideboard



Up to 50 minutes  
assembly time



Two person  
assembly

This product is intended for domestic use only, not commercial purposes.

## **IMPORTANT**

### **ASSEMBLY TIP**

Before you begin , it's best to identify all of the parts and fittings to build your sideboard frame. We advise laying these out on the clean and flat floor to check you have everything , and to familiarise yourself with all of the parts and fittings before building.

### **TOP TIP**

We recommend that you assemble the sideboard in the room you'd like it to be located. This will help prevent any risk of damage to the frame whilst moving it.

### **SAFETY AND CARE**

1. Do not stand on your product. Pregnant women should take additional care when using this product. Do not leave the child unattended. Children should always be under direct adult supervision whilst using this product. Always use on firm level ground, ensuring all legs remain in contact with the ground.
2. It's important to ensure children and animals are kept away from the assembly area, as there are small components used in this product which could present a choking hazard. All plastic and wrapping materials should also be kept away from children and animals to prevent any risk of suffocation.

### **HELP AND SUPPORT**

Please contact our customer service team on 0113 519 0311 if you have any questions or issues with your purchase.

### **RECYCLING**

Please ensure that packaging is disposed of in a safe and environmentally friendly way, and recycle where possible. Please keep your assembly instructions safe to refer back to in the future.

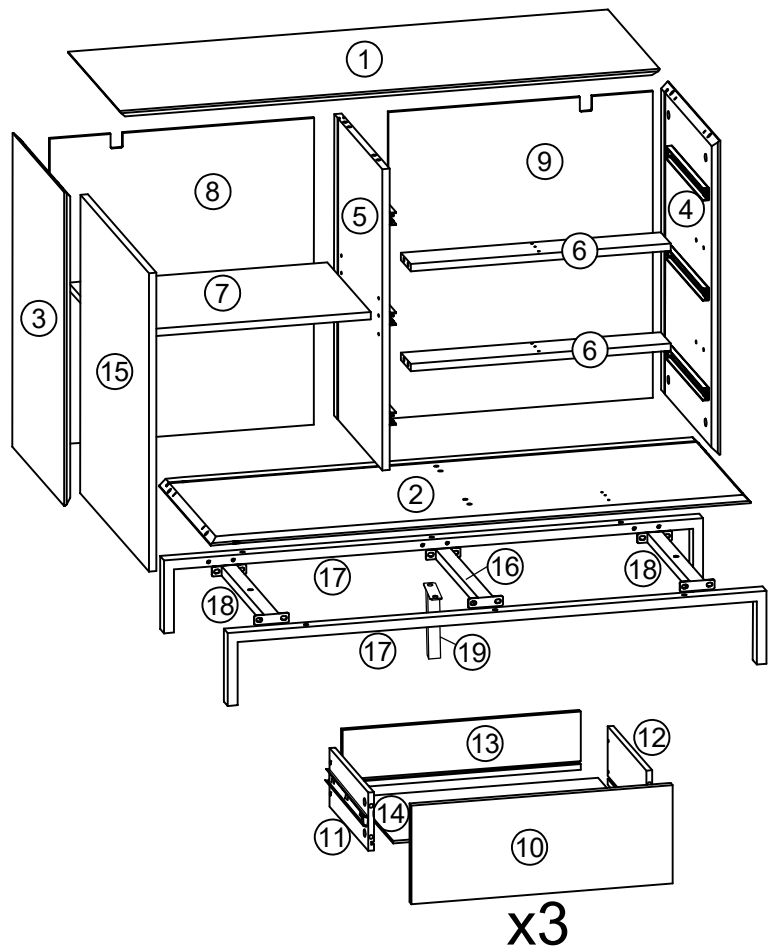
### **CARE AND MAINTENANCE:**

1. Only use clean , colourless sponge or cloth to avoid any colour transfer or smearing , do not use bleach or abrasive cleaners as they may damage the sideboard top over time.
2. Do not use a very wet cloth or allow any liquid to contact with the sideboard for a long period of time . Wipe any spillage immediately.
3. Do not scrub or rub the surface when cleaning.
4. Do not drag the sideboard when moving , lift it off the floor instead.
5. Use a placemat or a coaster when putting hot items ( e . g . hot drinks and dishes ) on the sideboard surface.
6. It is not recommended to place the item next to sources of heat such as radiators , fires or directly exposed to sunlight.
7. Regularly check all fixings to ensure none have come loose . Re - tighten if necessary.
8. Avoid sharp items such as a screwdriver or any pointy tools.
9. Dispose of all packaging carefully and responsibly - recycle where possible.
10. Due to the delicate nature of this product , please gently place hard items onto the sideboard top to avoid damaging the surface.

# Parts List

Before you begin building your Nova sideboard, please take a moment to read through the instructions and make sure that you have all the relevant parts listed on the parts check list.

Part Number	Part Description	Quantity
①	Sideboard top	1 pc
②	Bottom panel	1 pc
③	Left side panel	1 pc
④	Right side panel	1 pc
⑤	Middle panel	1 pc
⑥	Centre Support	2 pcs
⑦	Shelf	1 pc
⑧	Left back panel	1 pc
⑨	Right back panel	1 pc
⑩	Drawer front	3 pcs
⑪	Drawer left panel	3 pcs
⑫	Drawer right panel	3 pcs
⑬	Drawer back panel	3 pcs
⑭	Drawer base	3 pcs
⑮	Door	1 pc
⑯	Middle Leg Support	1 pc
⑰	Legs	2 pcs
⑱	Side Leg Support	2 pcs
⑲	Centre Leg	1 pc


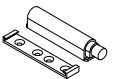
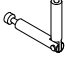
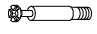





## Fittings


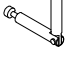

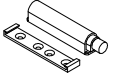
Please check you have all the fittings listed below with your product

A		B		C		D		E		F		G		H	
	M6x84 CAM Lock Screw 8pcs+1pc extra		M6x44 CAM Lock Screw 22pcs +2pcs extra		Φ15x11mm CAM Lock 38pcs+2pcs extra		M3.5x14mm Screw 20pcs+2pcs extra		Φ6x25mm Wooden Dowel 8pcs+1pc extra		Φ8x30mm Wooden Dowel 4pcs+1pc extra		M7x50mm Screw 2pcs		Hinge 2pcs
I		J		K		L		M		N		O		P	
	Φ20mm Cover 16pcs+2pcs extra		M6x12mm Bolt 14pcs+1pc extra		M6x25mm Bolt 8pcs +1pc extra		15x9mm Plastic Buckle 8pcs+1pc extra		4mm Allen Key 1pc		M3.5x35mm Screw 12pcs+1pc extra		83x14x19mm Pusher 4pcs		Ø16mm Screw and Washer 4pcs
Q		R		S		T		U		V		W			
	M4x40mm Screw 2pcs		M4x14mm Screw 12pcs+1pc extra		M6 Adjustable Foot 1pc		Φ5x16mm Shelf Support 4pcs		76x23mm L-shaped Bracket 2pcs		M4x12mm Screw 2pcs		Φ8mm Expansion Tube 2pcs		

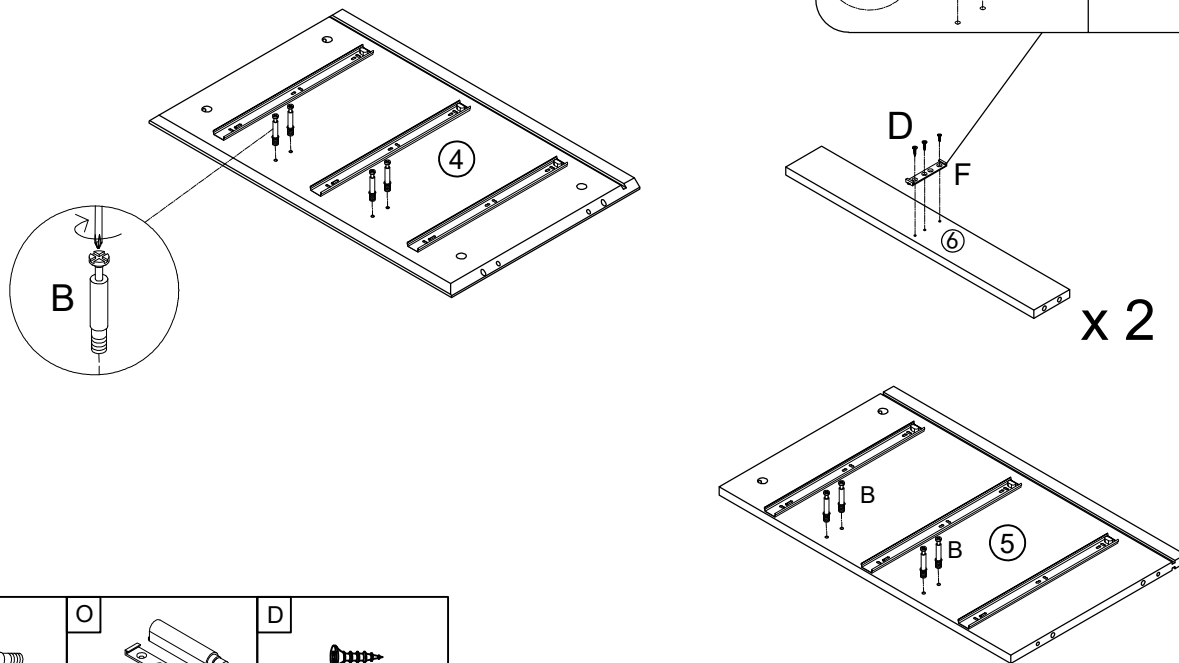
# 1. Attach parts to the Sideboard Top.

				
M3.5x14mm Screw 3pcs	83x14x19mm Pusher 1pc			
				
M6x84 CAM Lock Screw 4pcs	M6x44 CAM Lock Screw 2pcs	Φ15x11mm CAM Lock 4pcs	76x23mm L-shaped Bracket 2pcs	M4x12mm Screw 2pcs

# 2. Attach parts to the Bottom Panel.

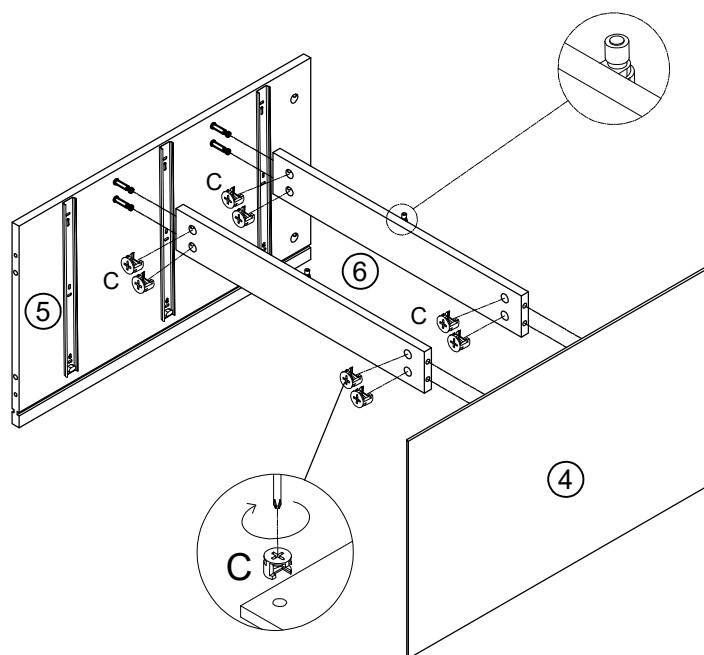
		
M3.5x14mm Screw 3pcs		
		
M6x84 CAM Lock Screw 4pcs	Φ15x11mm CAM Lock 4pcs	83x14x19mm Pusher 1pc

### 3. Attach parts to the Side Panels and the Centre Support.



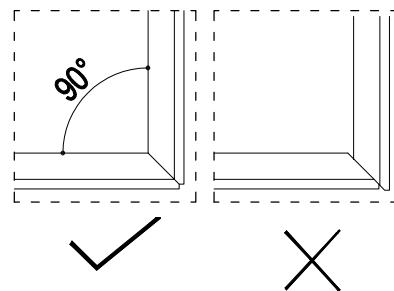
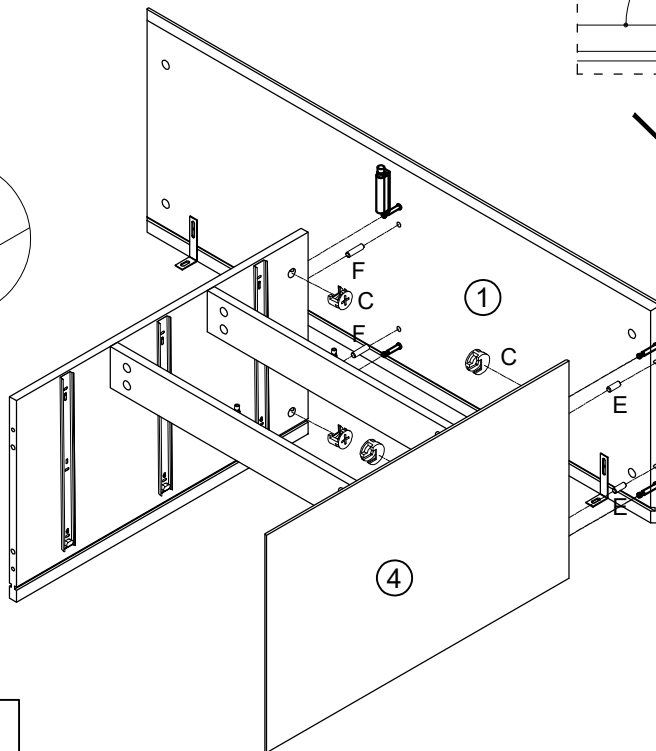
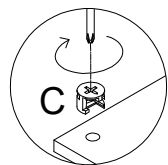
B	O	D
M6x44 CAM Lock Screw	83x14x19mm Pusher	M3.5x14mm Screw
8pcs	2pcs	6pcs

### 4. Attach the Centre Support to the Middle Panel and Right Side Panel.



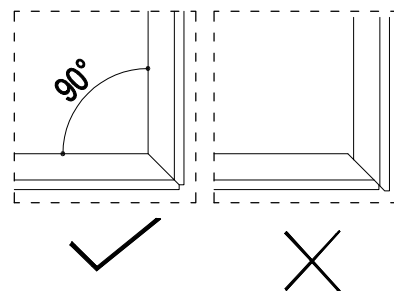
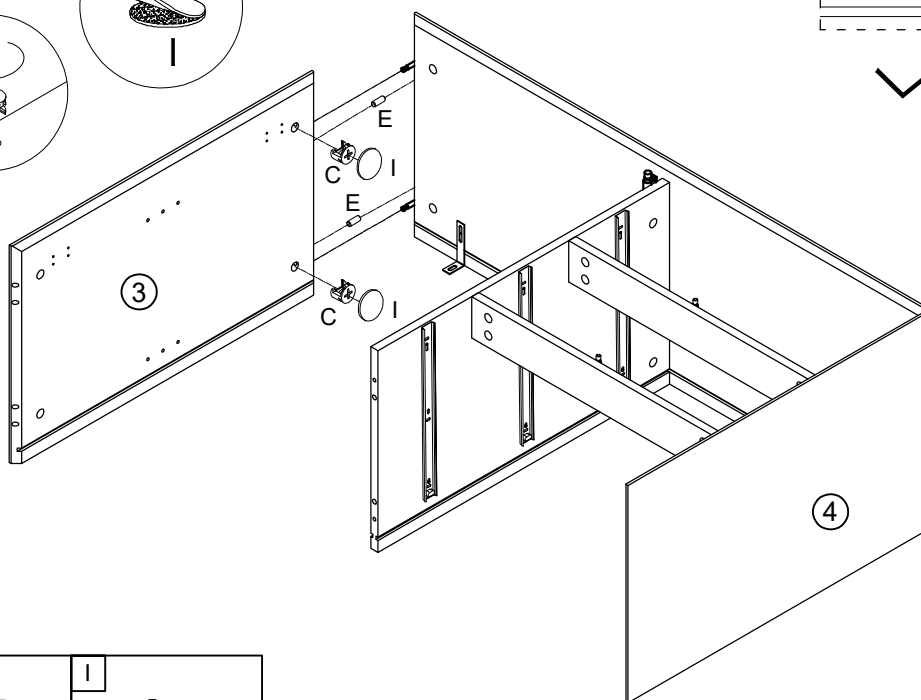
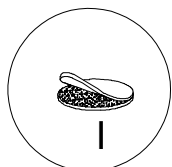
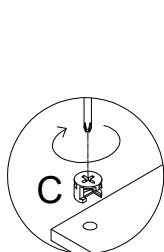
C
Φ15x11mm CAM Lock
8pcs

## 5. Attach the Sideboard Top to the Frame.



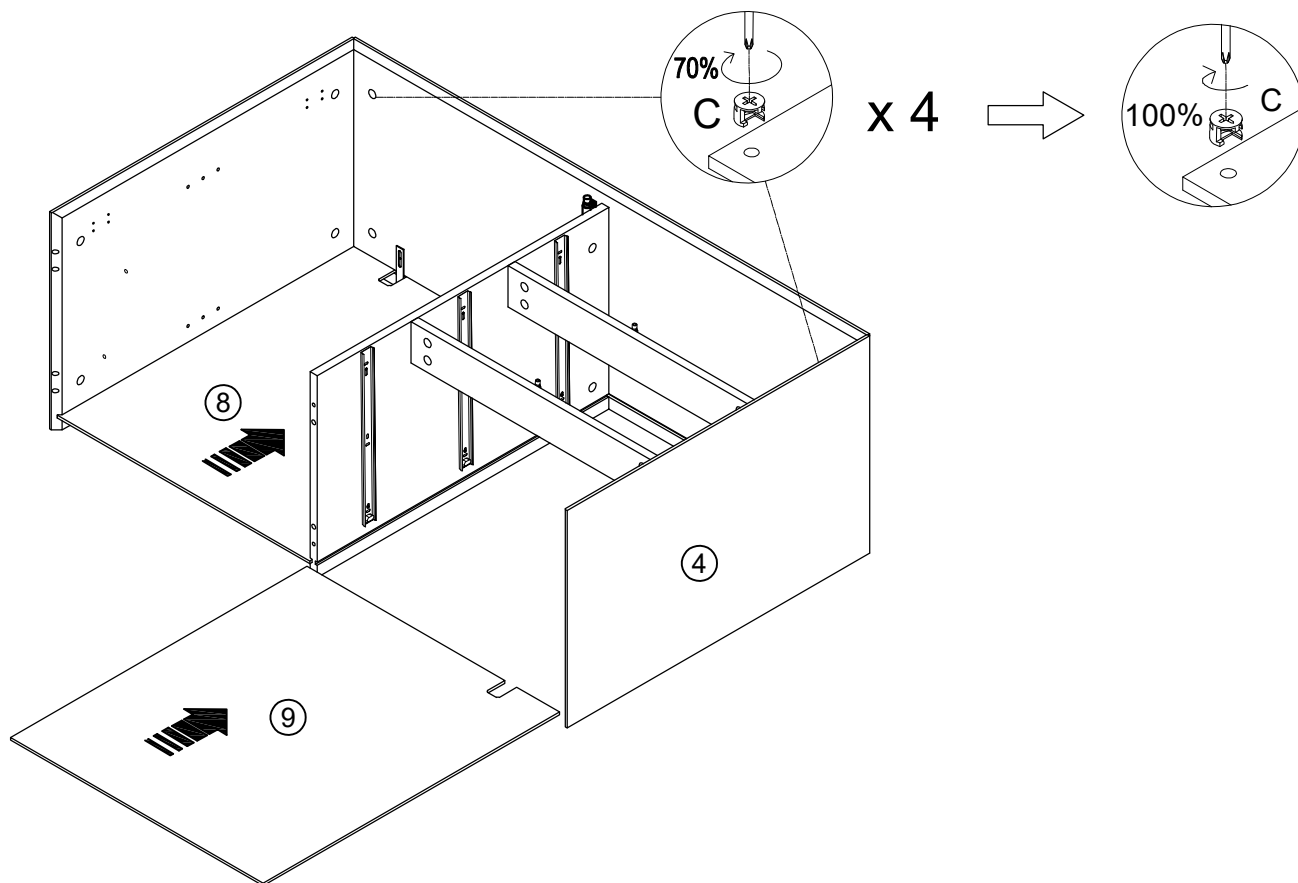
C	F	E
Φ15x11mm CAM Lock 4pcs	Φ8x30mm Wooden Dowel 2pcs	Φ6x25mm Wooden Dowel 2pcs

## 6. Attach the Left Side Panel to the Frame.

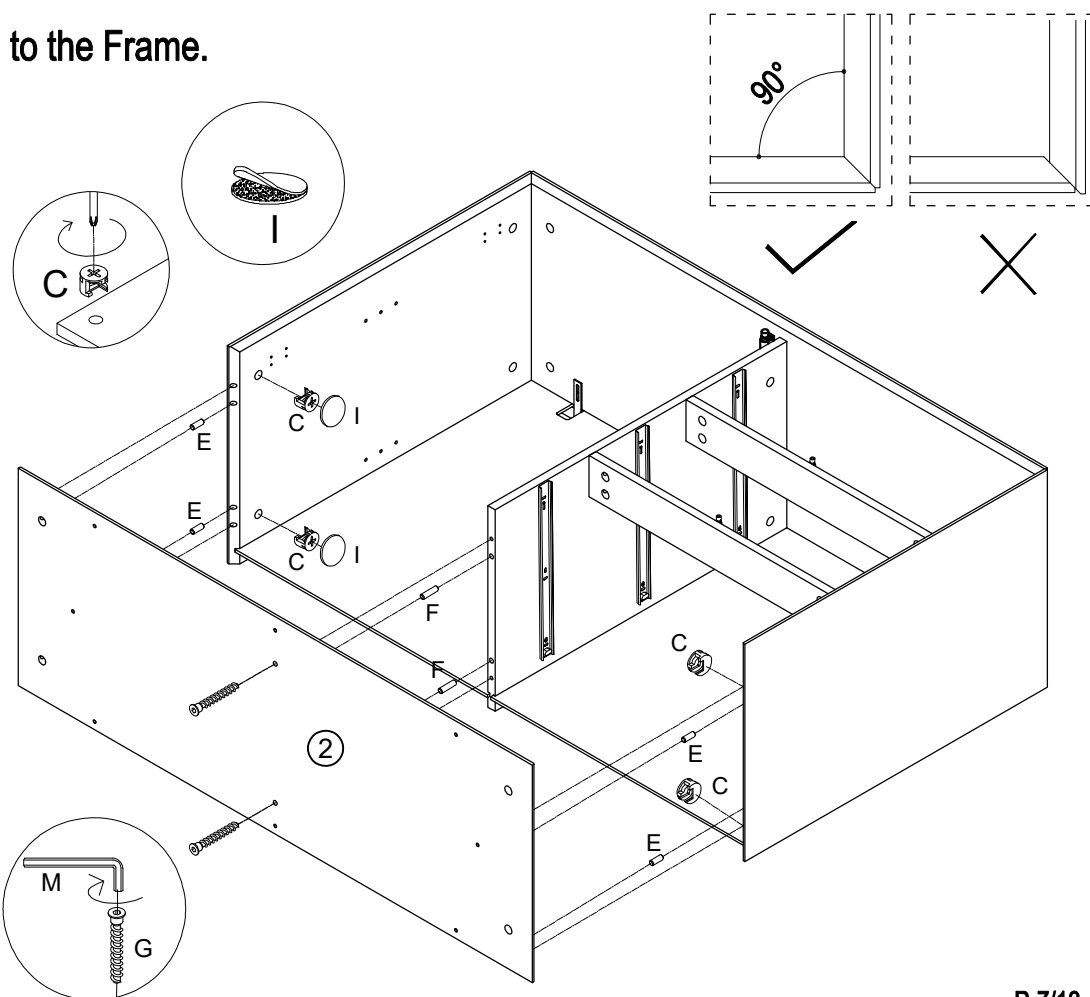





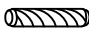



C	E	I
Φ15x11mm CAM Lock 2pcs	Φ6x25mm Wooden Dowel 2pcs	Φ20mm Cover 2pcs

## 7. Lock the CAM Locks tightly, slide the Back Panels into the Frame.

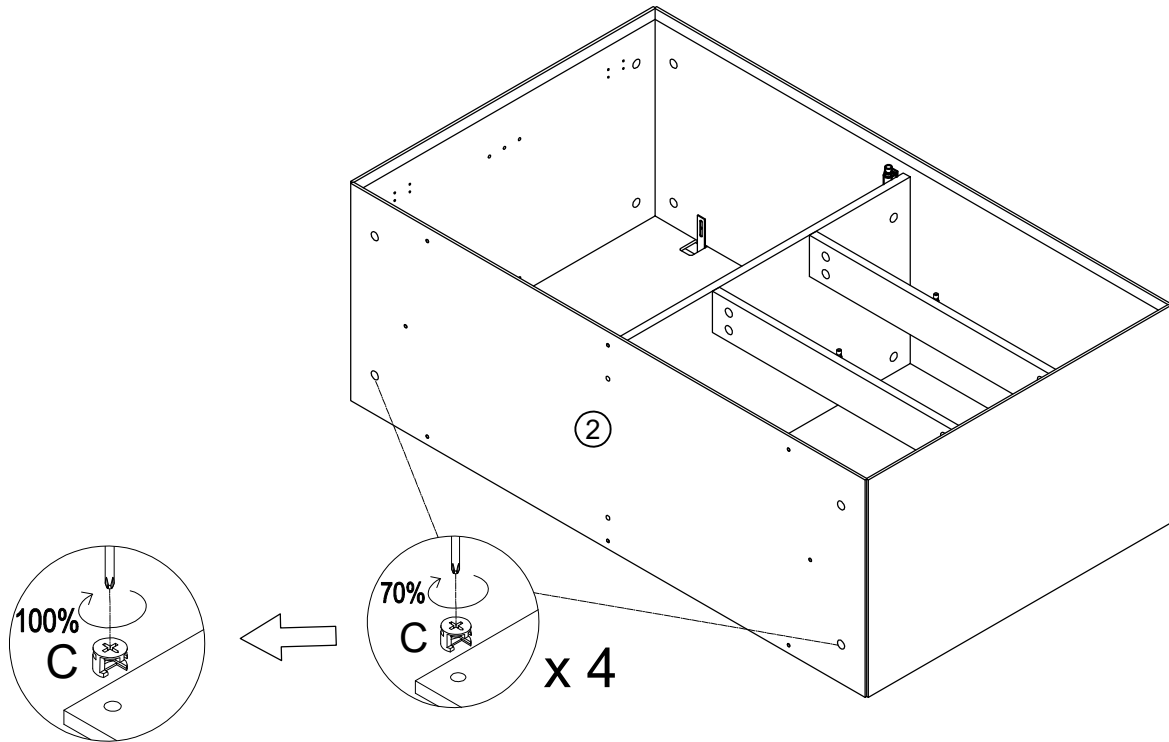


## 8. Attach the Bottom Panel to the Frame.

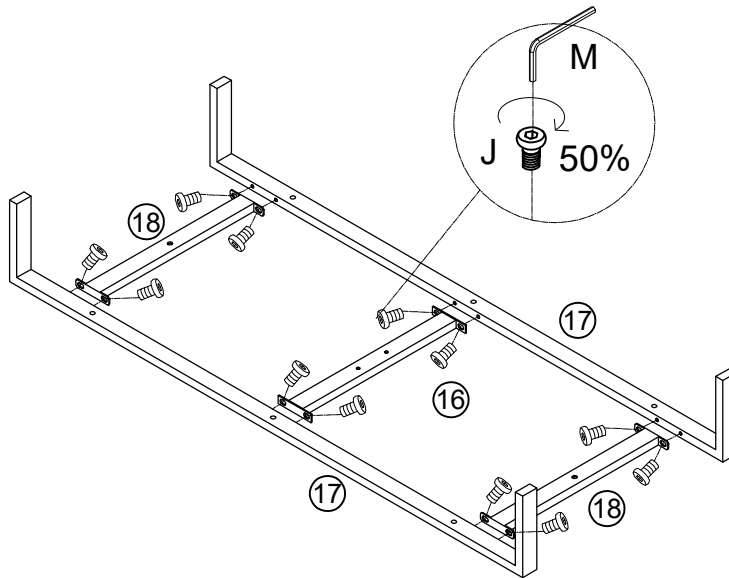


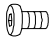

M		
	4mm Allen Key	
	1pc	
I		
	Φ20mm Cover	
	2pcs	
E		F
	Φ6x25mm Wooden Dowel	
	4pcs	
		2pcs
C		G
	Φ15x11mm CAM Lock	
	4pcs	M7x50mm Screw
		2pcs

## 9. Lock the CAM Locks tightly.



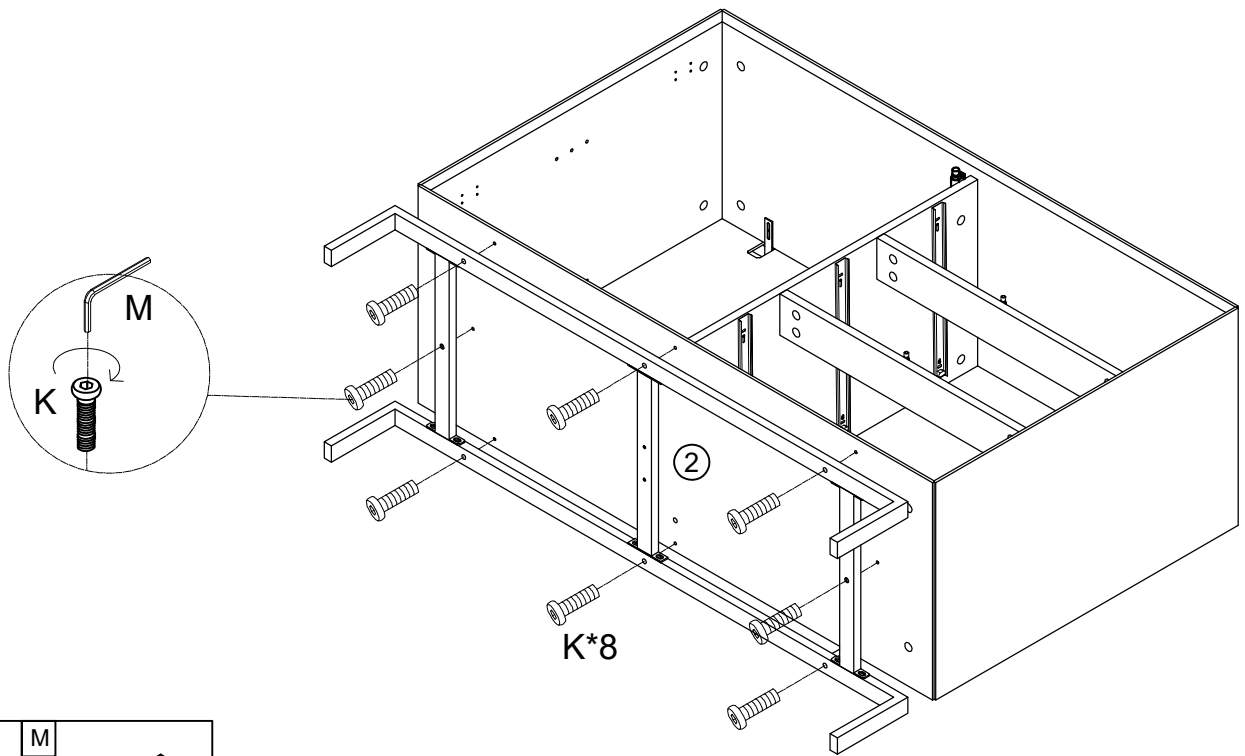
## 10. Attach the Legs to the Leg Supports.

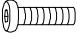



J	M
	
M6x12mm Bolt	4mm Allen Key
12pcs	1pc

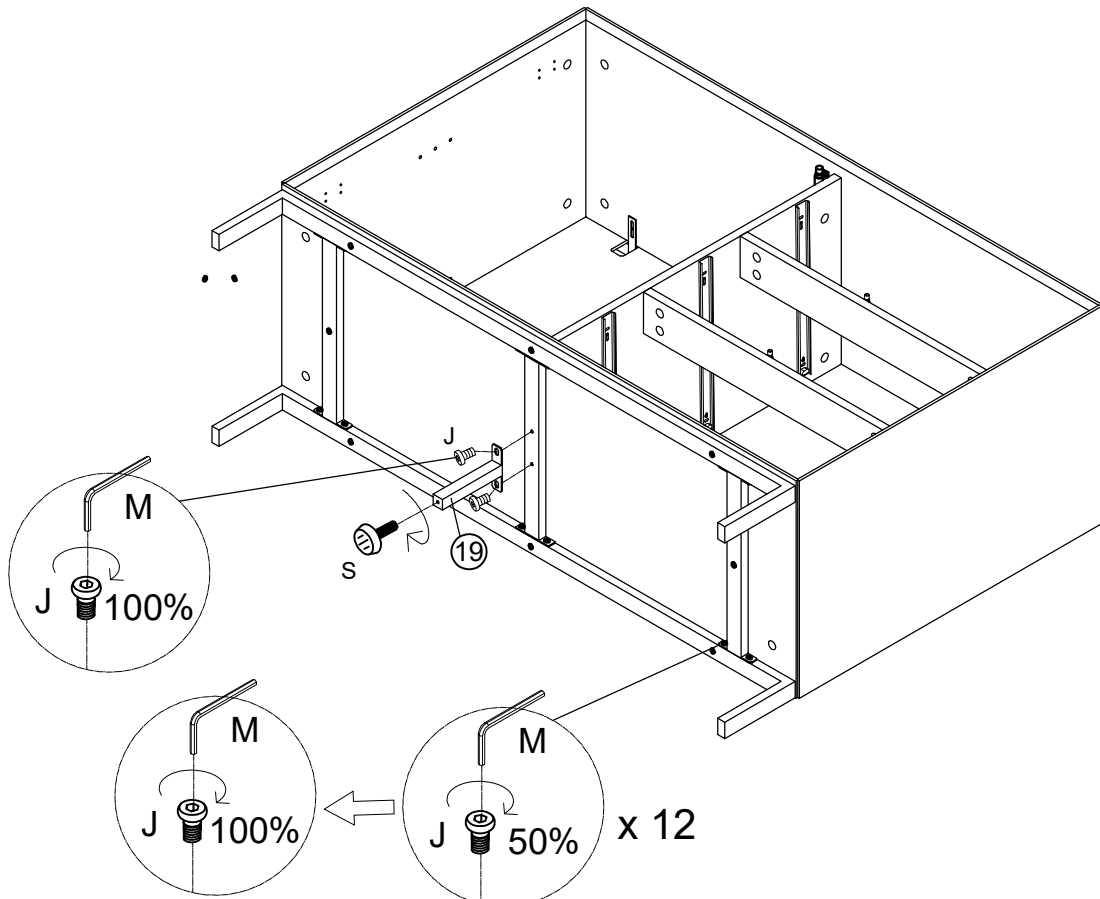





## 11. Attach the Legs to the Frame.



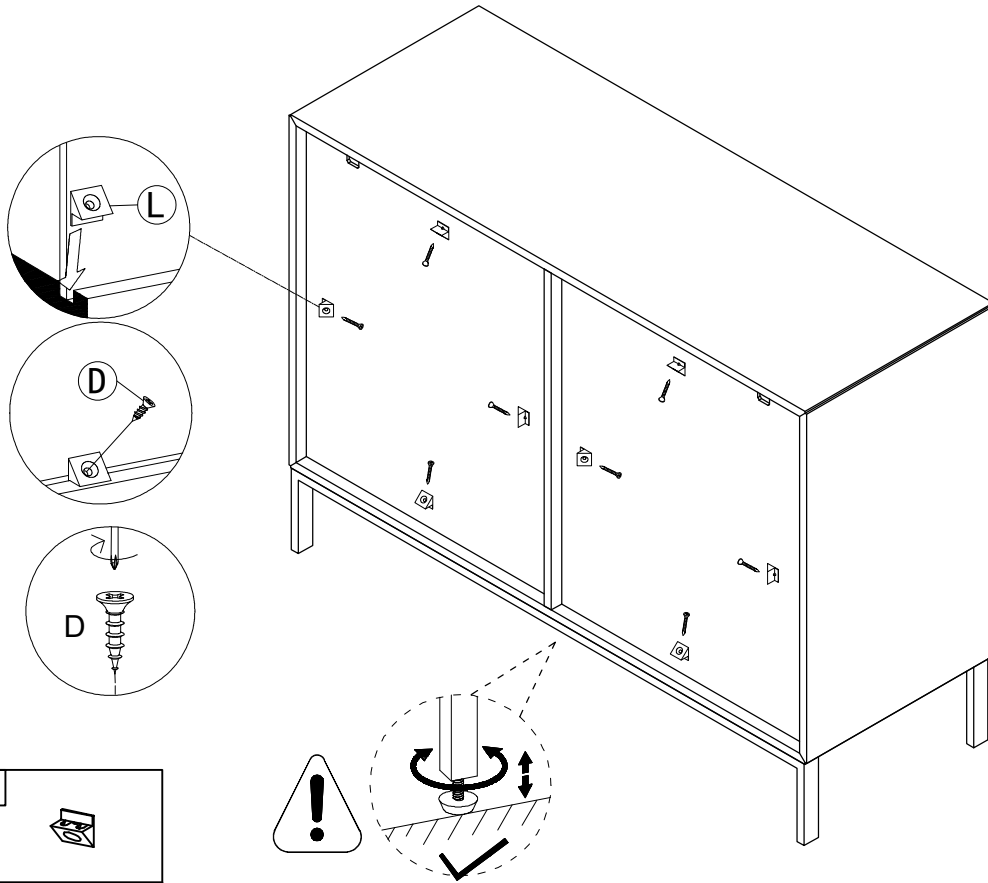
K	M
	
M6x25mm Bolt	4mm Allen Key
8pcs	1pc

## 12. Attach the Centre Leg to the frame and Lock the Bolts tightly.



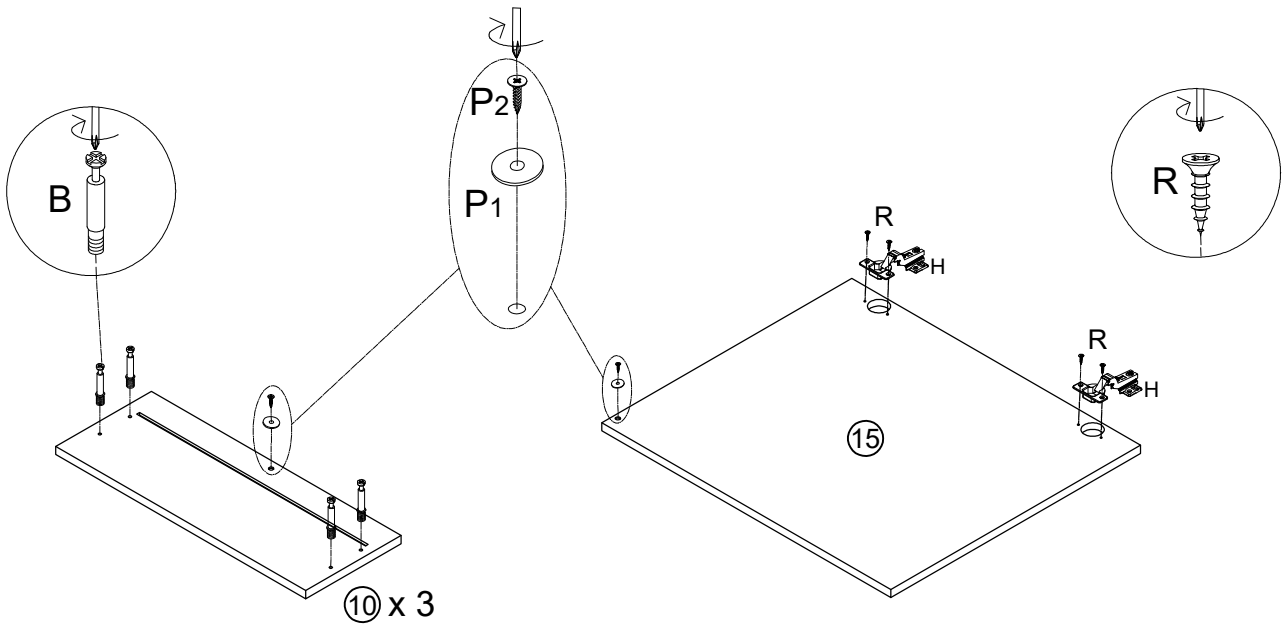
S	
M6 Adjustable Foot	1pc
M	
4mm Allen Key	1pc
J	
M6x12mm Bolt	2pcs

### 13. Attach the Plastic Buckles.



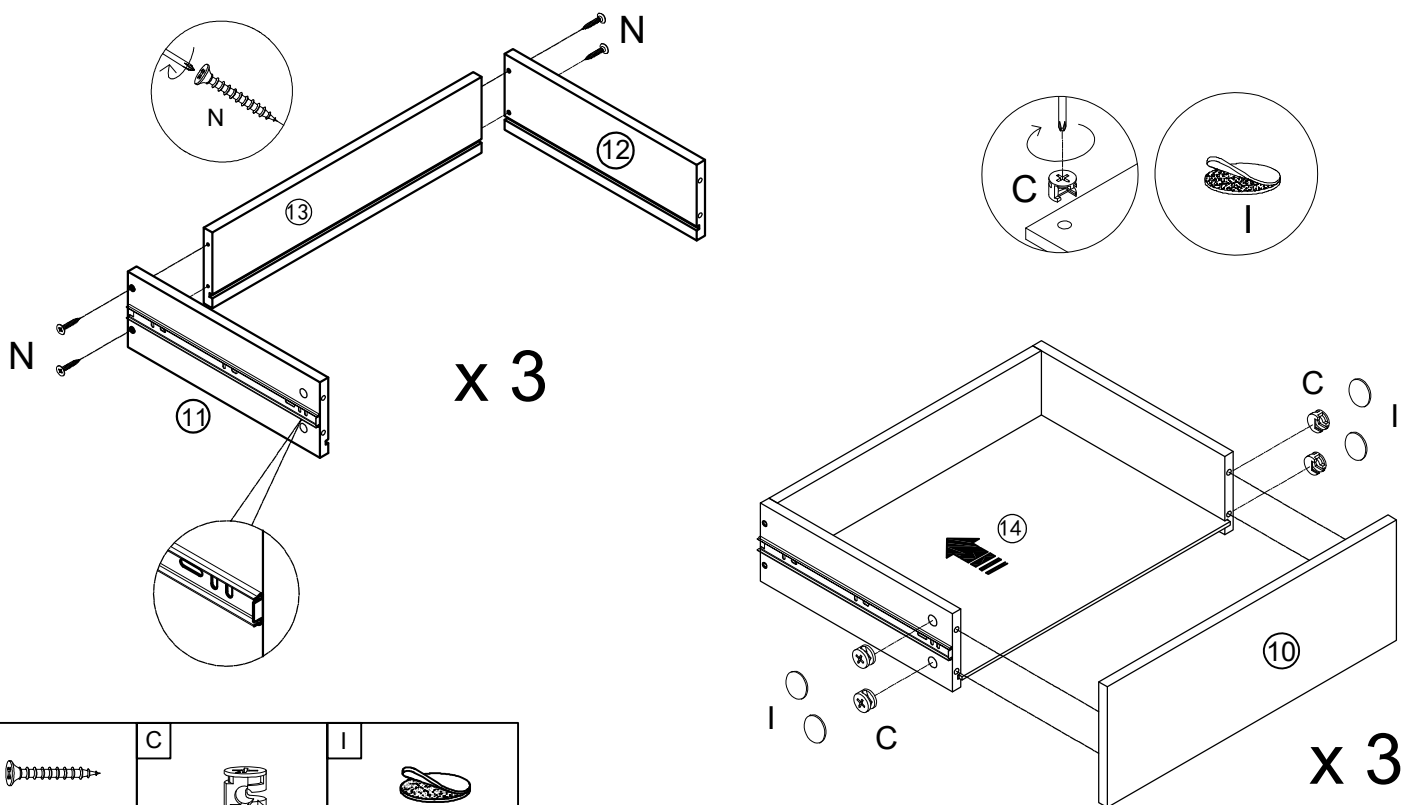
D	L
M3.5x14mm Screw	15x9mm Plastic Buckle
8pcs	8pcs

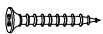


### 14. Attach parts to the Drawer Fronts and Door.



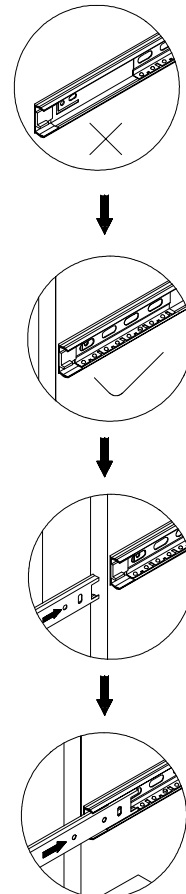
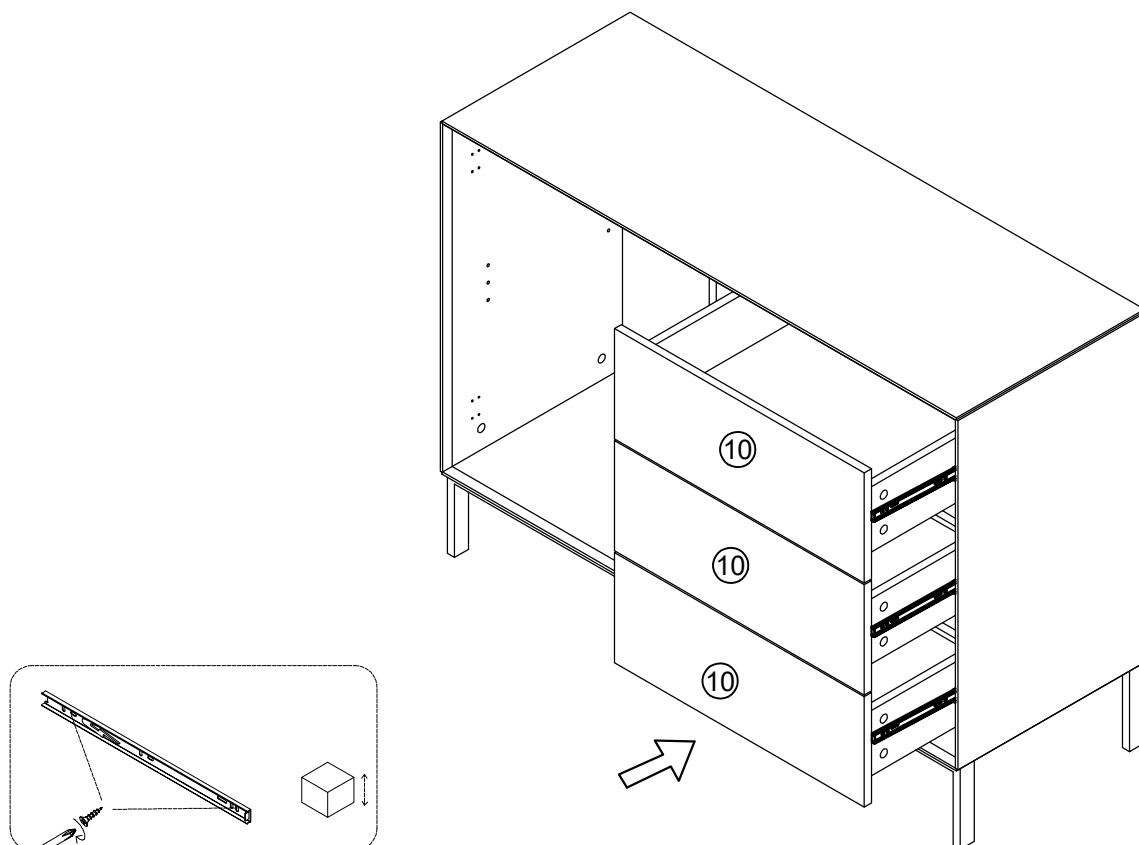
H	R	P	B
Hinge	M4x14mm Screw	Ø16mm Screw and Washer	M6x44 CAM Lock Screw
2pcs	4pcs	4pcs	12pcs

## 15. Assemble the drawers.

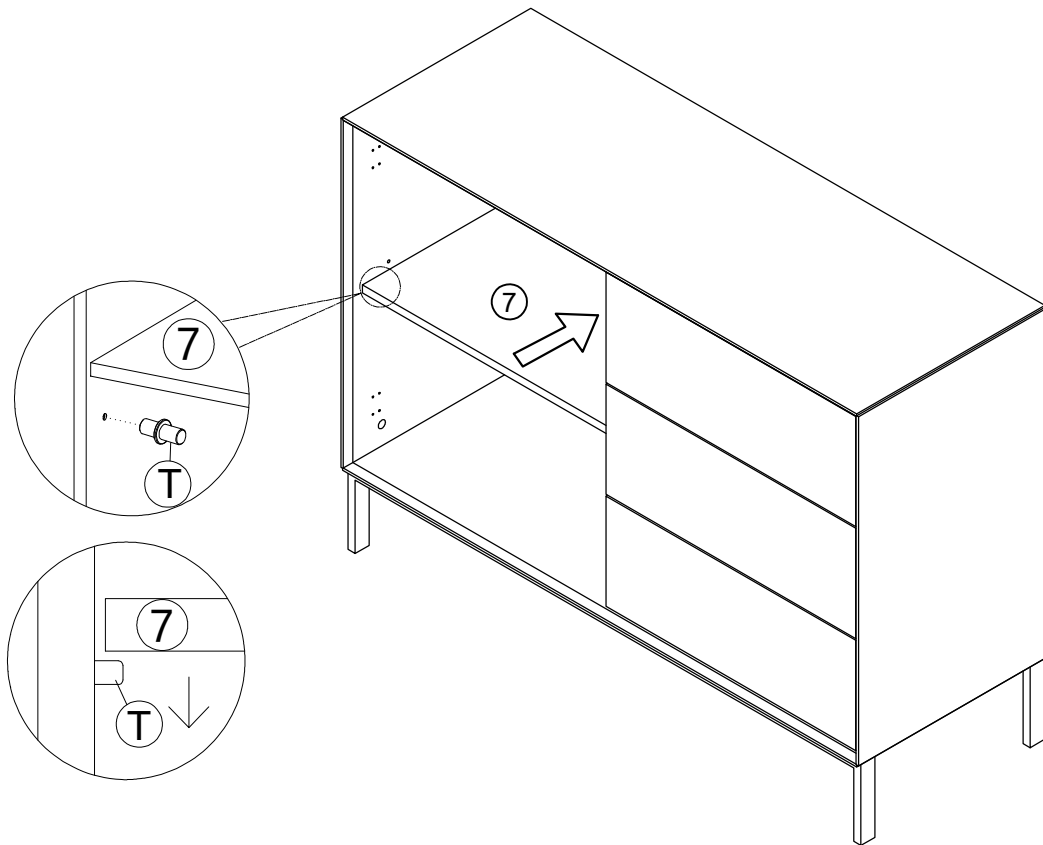



N	C	I
		
M3.5x35mm Screw	Φ15x11mm CAM Lock	Φ20mm Cover
12pcs	12pcs	12pcs

## 16. Assemble the drawers in the Chest.

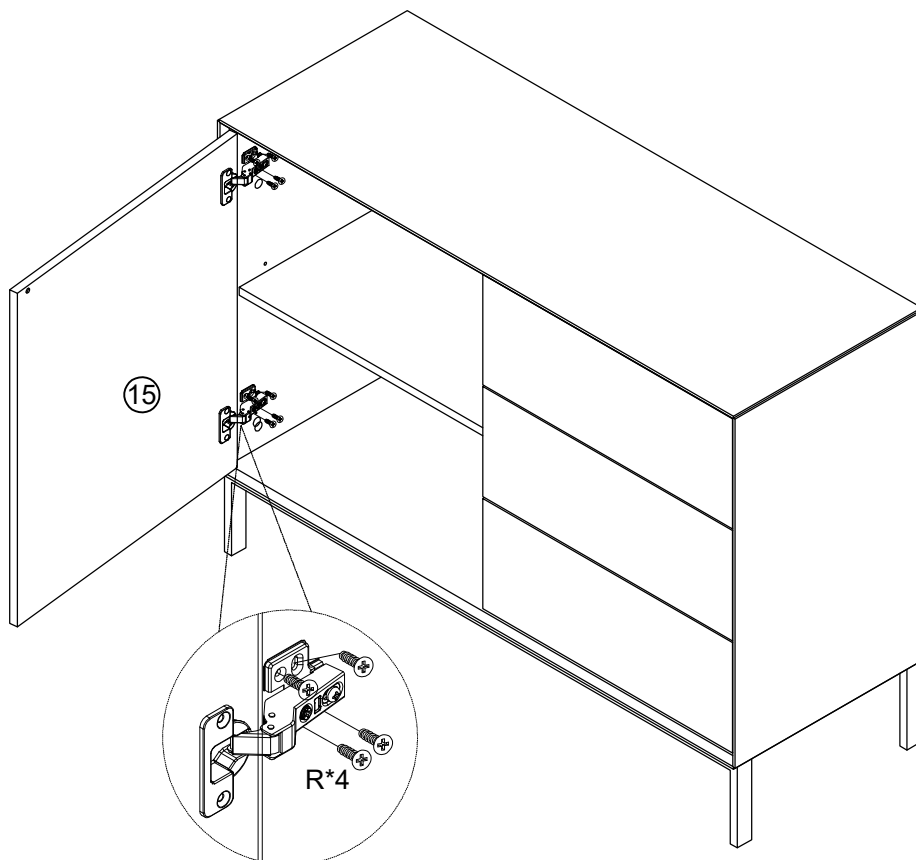



## 17. Put the Shelf into the Frame.

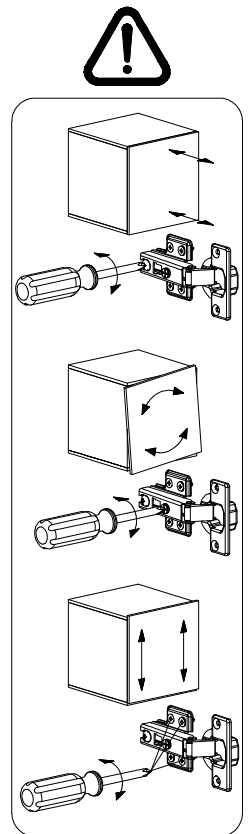


T	
Ø5x16mm Shelf Support	
4pcs	

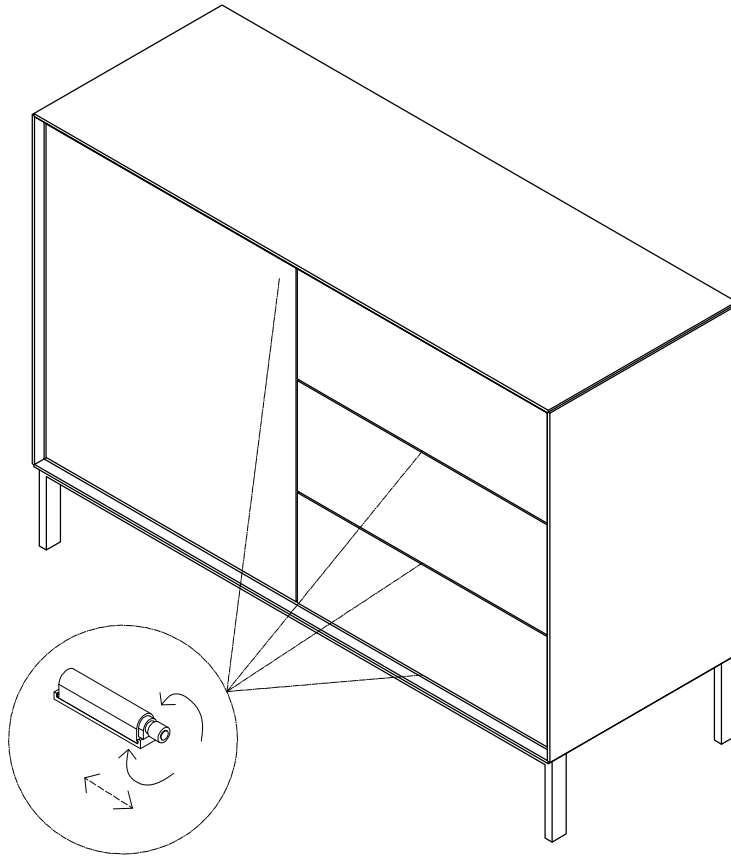
## 18. Attach the Door to the Frame.



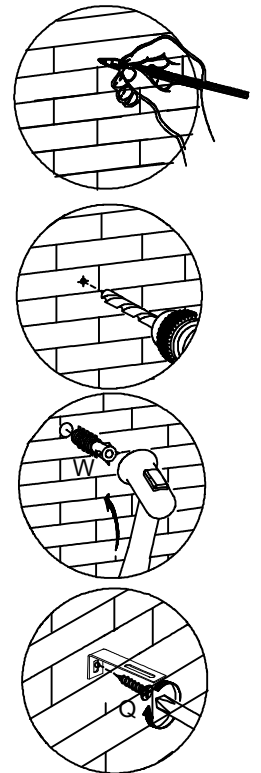
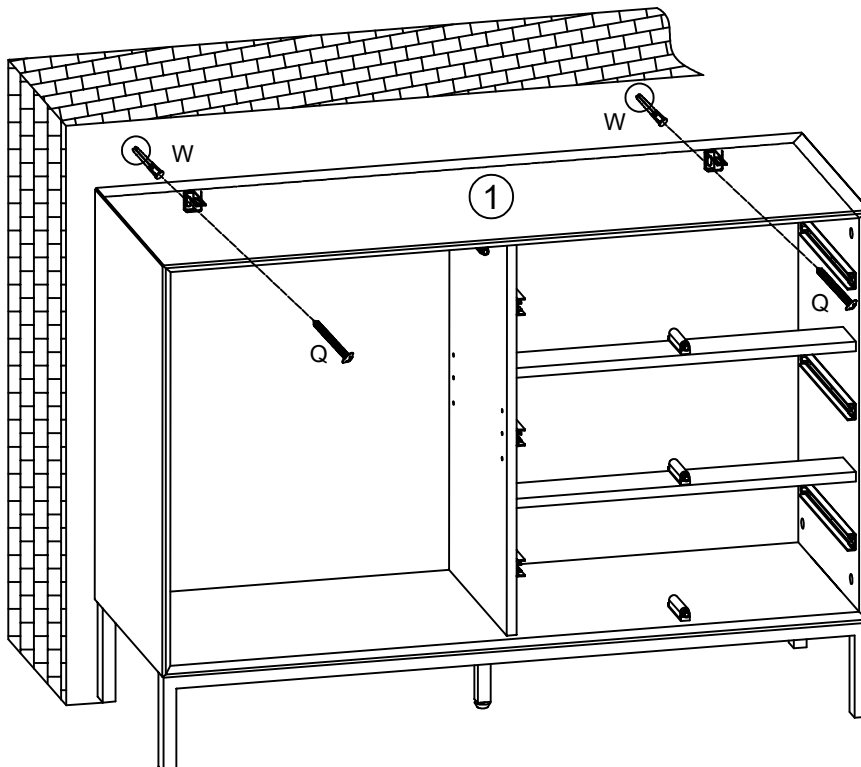
R	
M4x14mm Screw	
8pcs	

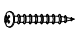



19. Adjust the pushers to appropriate position.



20. Fix the L-Shaped Bracket to the wall.



Q	
	M4x40mm Screw 2pcs
W	
	Ø8mm Expansion Tube 2pcs