

# DUSK.COM

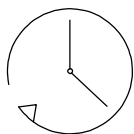
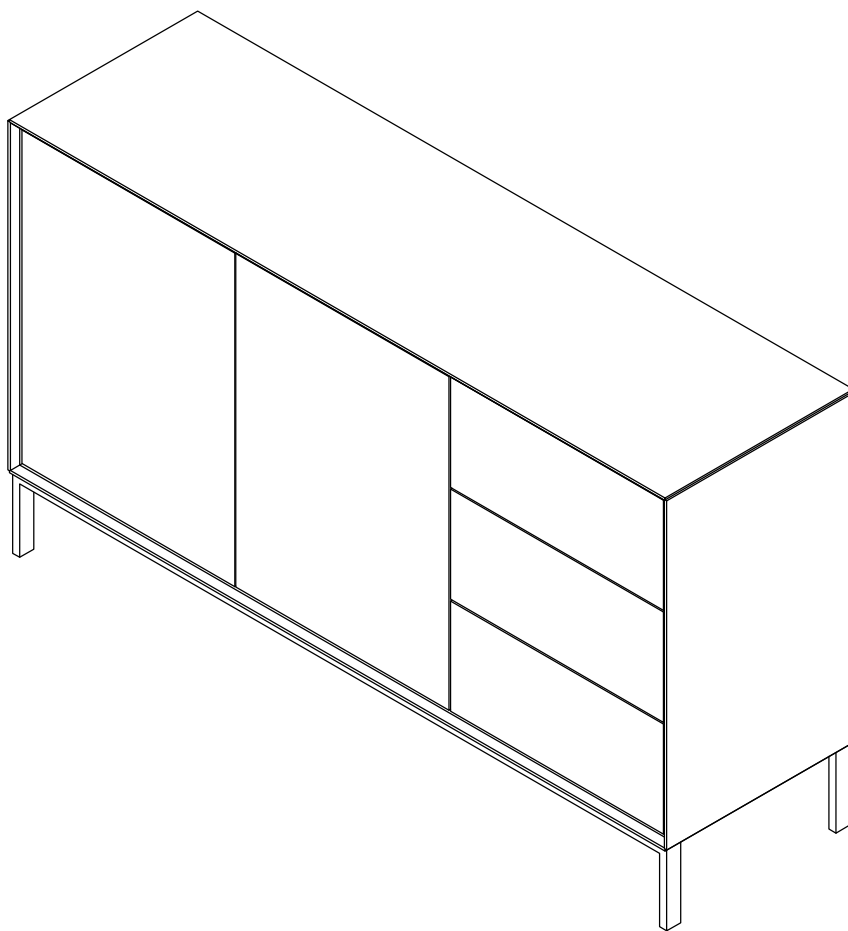
LIVING | BEDROOM | DINING

Range Name:NOVA

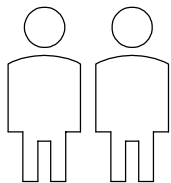
Box1 dimensions:L154xW52xH16(cm)

Box2 dimensions:L77.5xW57.5xH18(cm)

## Nova sideboard



Up to 60 minutes  
assembly time



Two person  
assembly

This product is intended for domestic use only, not commercial purposes.

## **IMPORTANT**

### **ASSEMBLY TIP**

Before you begin , it's best to identify all of the parts and fittings to build your sideboard frame. We advise laying these out on the clean and flat floor to check you have everything, and to familiarise yourself with all of the parts and fittings before building.

### **TOP TIP**

We recommend that you assemble the sideboard in the room you'd like it to be located. This will help prevent any risk of damage to the frame whilst moving it .

### **SAFETY AND CARE**

1. Do not stand on your product. Pregnant women should take additional care when using this product. Do not leave the child unattended. Children should always be under direct adult supervision whilst using this product. Always use on firm level ground, ensuring all legs remain in contact with the ground.
2. It's important to ensure children and animals are kept away from the assembly area, as there are small components used in this product which could present a choking hazard. All plastic and wrapping materials should also be kept away from children and animals to prevent any risk of suffocation.

### **HELP AND SUPPORT**

Please contact our customer service team on 0113 519 0311 if you have any questions or issues with your purchase.

### **RECYCLING**

Please ensure that packaging is disposed of in a safe and environmentally friendly way, and recycle where possible. Please keep your assembly instructions safe to refer back to in the future.

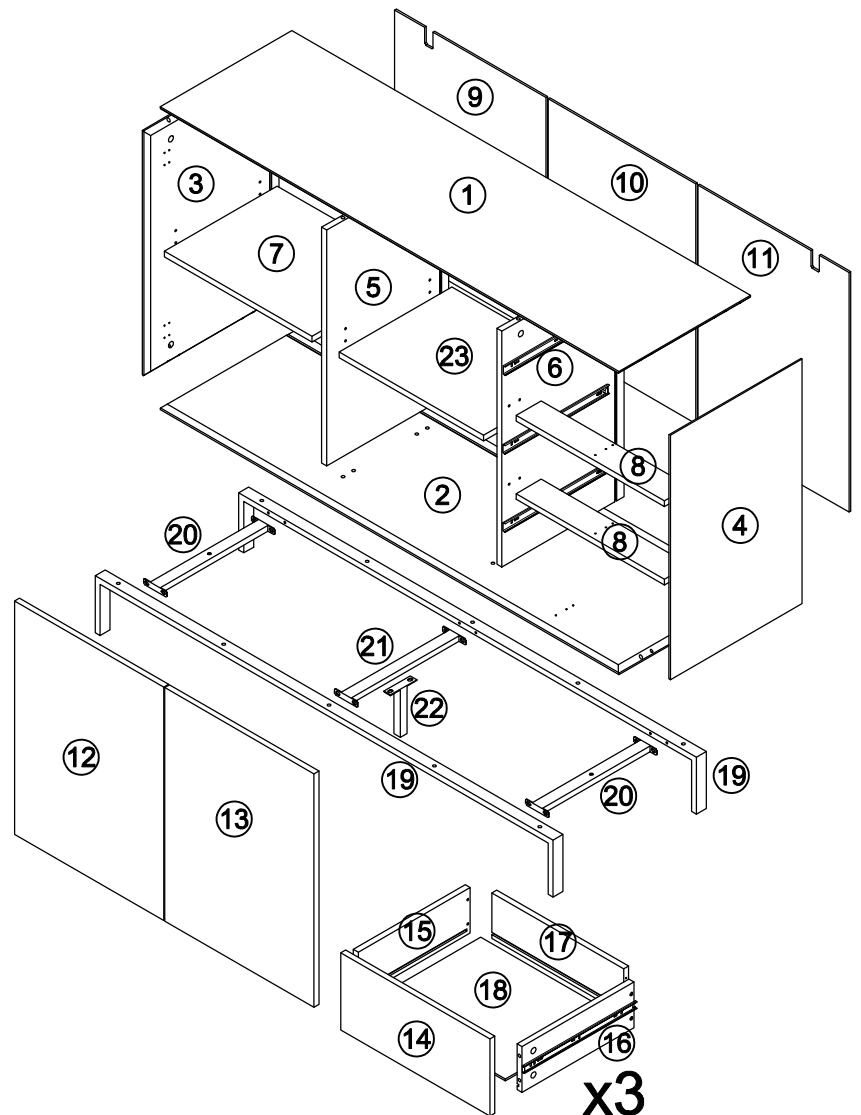
### **CARE AND MAINTENANCE:**

1. Only use clean , colourless sponge or cloth to avoid any colour transfer or smearing , do not use bleach or abrasive cleaners as they may damage the sideboard top over time.
2. Do not use a very wet cloth or allow any liquid to contact with the sideboard for a long period of time . Wipe any spillage immediately.
3. Do not scrub or rub the surface when cleaning.
4. Do not drag the sideboard when moving , lift it off the floor instead.
5. Use a placemat or a coaster when putting hot items ( e . g . hot drinks and dishes ) on the sideboard surface.
6. It is not recommended to place the item next to sources of heat such as radiators , fires or directly exposed to sunlight.
7. Regularly check all fixings to ensure none have come loose . Re - tighten if necessary.
8. Avoid sharp items such as a screwdriver or any pointy tools.
9. Dispose of all packaging carefully and responsibly - recycle where possible.
10. Due to the delicate nature of this product , please gently place hard items onto the sideboard top to avoid damaging the surface.

# Parts List

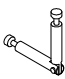
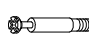


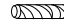


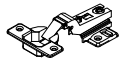
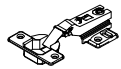
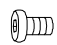
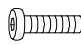


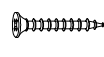
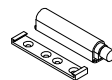


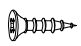


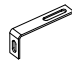



Before you begin building your Nova sideboard, please take a moment to read through the instructions and make sure that you have all the relevant parts listed on the parts check list.

Part Number	Part Description	Quantity
①	Sideboard top	1 pc
②	Bottom panel	1 pc
③	Left side panel	1 pc
④	Right side panel	1 pc
⑤	Left middle panel	1 pc
⑥	Right middle panel	1 pc
⑦	Left shelf	1 pc
⑧	Centre Support	2 pcs
⑨	Left back panel	1 pc
⑩	Middle back panel	1 pc
⑪	Right back panel	1 pc
⑫	Left door	1 pc
⑬	Right door	1 pc
⑭	Drawer front	3 pcs
⑮	Drawer left panel	3 pcs
⑯	Drawer right panel	3 pcs
⑰	Drawer back panel	3 pcs
⑱	Drawer base	3 pcs
⑲	Legs	2 pcs
⑳	Side Leg Support	2 pcs
㉑	Middle Leg Support	1 pc
㉒	Centre Leg	1 pc
㉓	Right shelf	1 pc

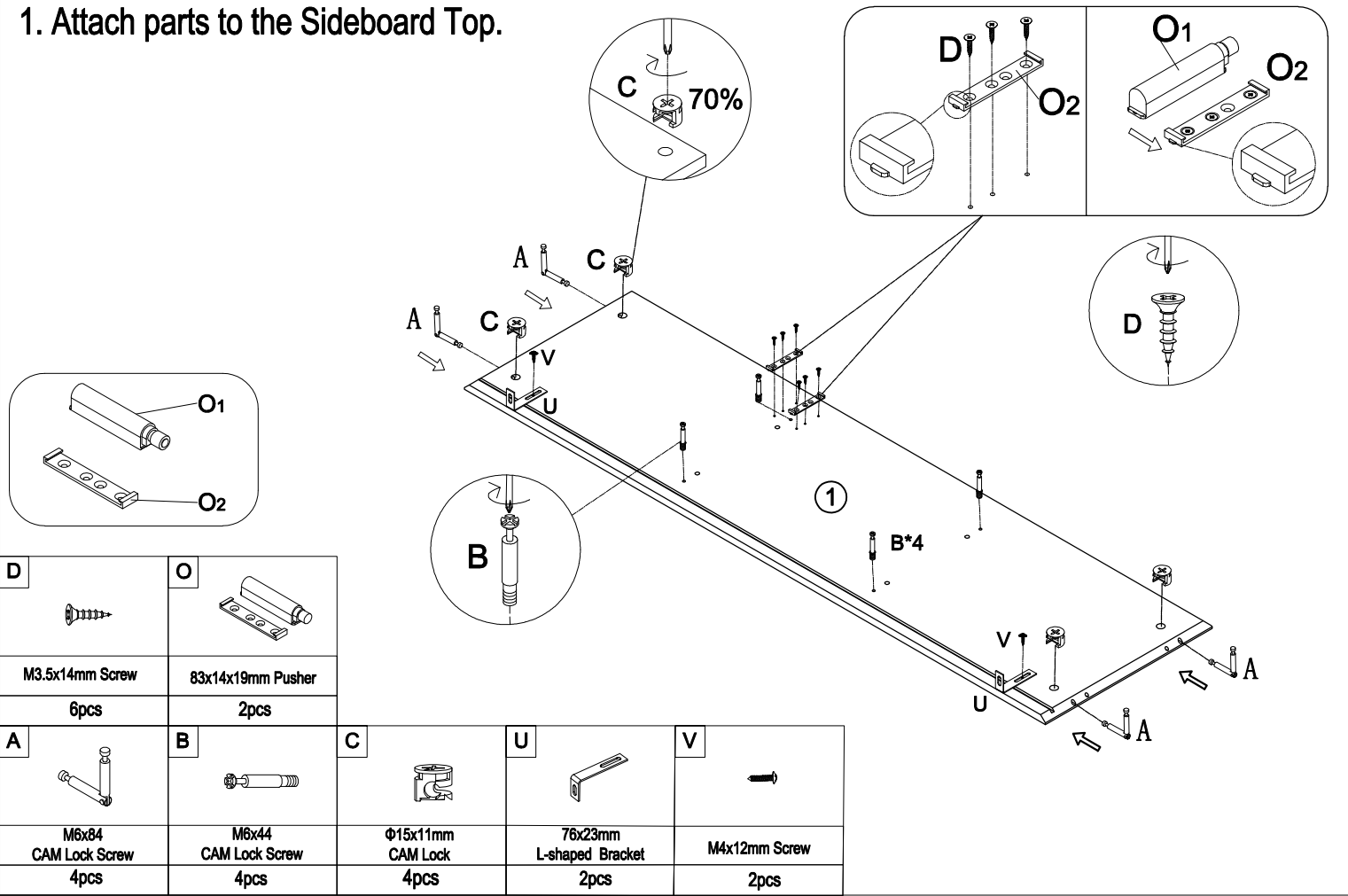


## Fittings

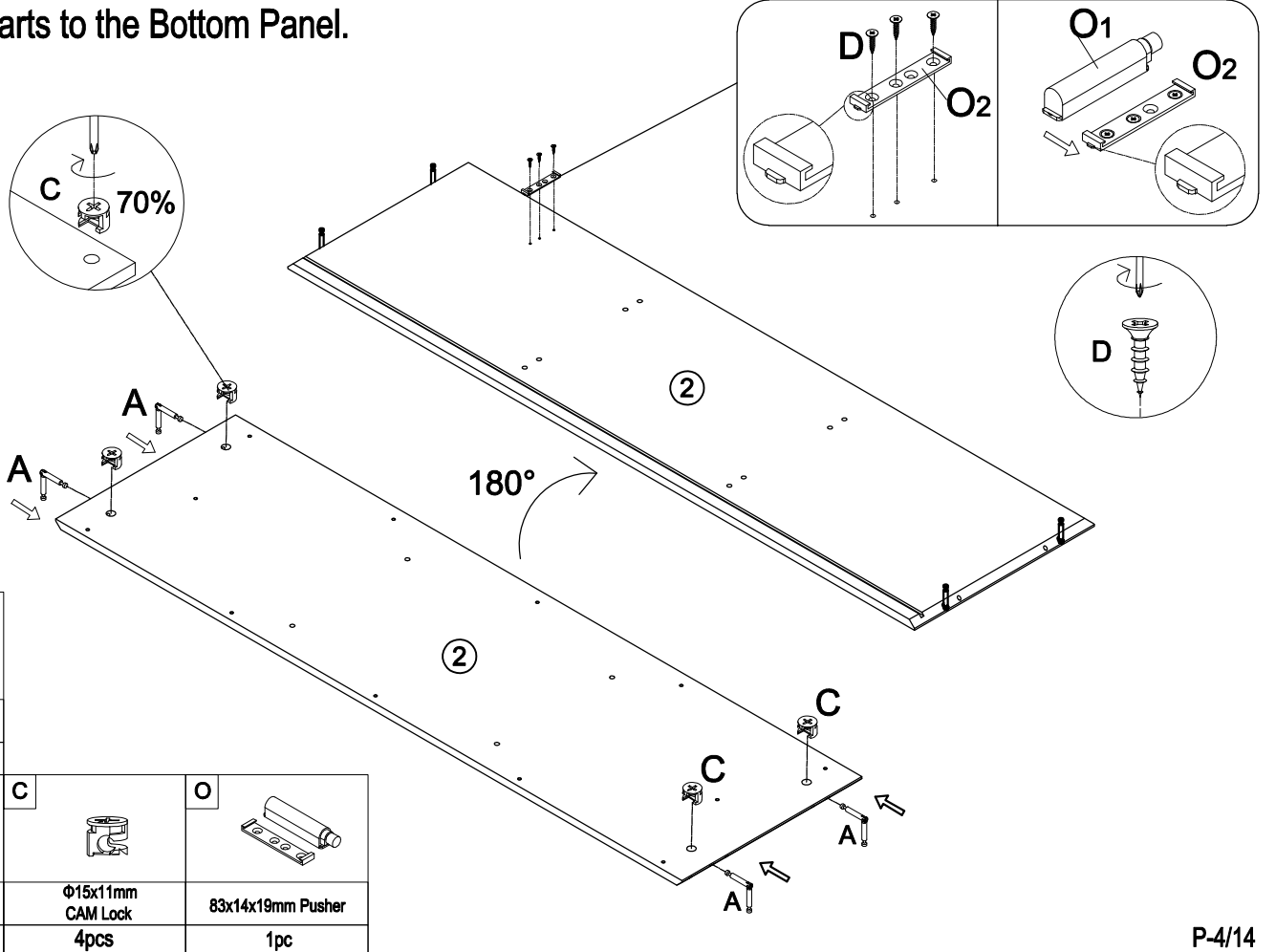
Please check you have all the fittings listed below with your product

<b>A</b>  M6x84 CAM Lock Screw 8pcs+1pc extra	<b>B</b>  M6x44 CAM Lock Screw 24pcs+2pcs extra	<b>C</b>  Φ15x11mm CAM Lock 40pcs+2pcs extra	<b>D</b>  M3.5x14mm Screw 27pcs+2pcs extra	<b>E</b>  Φ6x25mm Wooden Dowel 8pcs+1pc extra	<b>F</b>  Φ8x30mm Wooden Dowel 8pcs +1pc extra	<b>G</b>  M7x50mm Screw 4pcs	<b>H</b>  Hinge 2pcs
<b>I</b>  Hinge 2pcs	<b>J</b>  M6x12mm Bolt 14pcs+1pc extra	<b>K</b>  M6x25mm Bolt 12pcs +1pc extra	<b>L</b>  15x9mm Plastic Buckle 12pcs+1pc extra	<b>M</b>  4mm Allen Key 1pc	<b>N</b>  M3.5x35mm Screw 12pcs+1pc extra	<b>O</b>  83x14x19mm Pusher 5pcs	<b>P</b>  Ø16mm Screw and Washer 5pcs
<b>Q</b>  Φ20mm Cover 18pcs+2pcs extra	<b>R</b>  M4x14mm Screw 24pcs+2pcs extra	<b>S</b>  M6 Adjustable Foot 1pc	<b>T</b>  Φ5x16mm Shelf Support 8pcs+1pc extra	<b>U</b>  76x23mm L-shaped Bracket 2pcs	<b>V</b>  M4x12mm Screw 2pcs	<b>W</b>  Φ8mm Expansion Tube 2pcs	<b>X</b>  M4x40mm Screw 2pcs

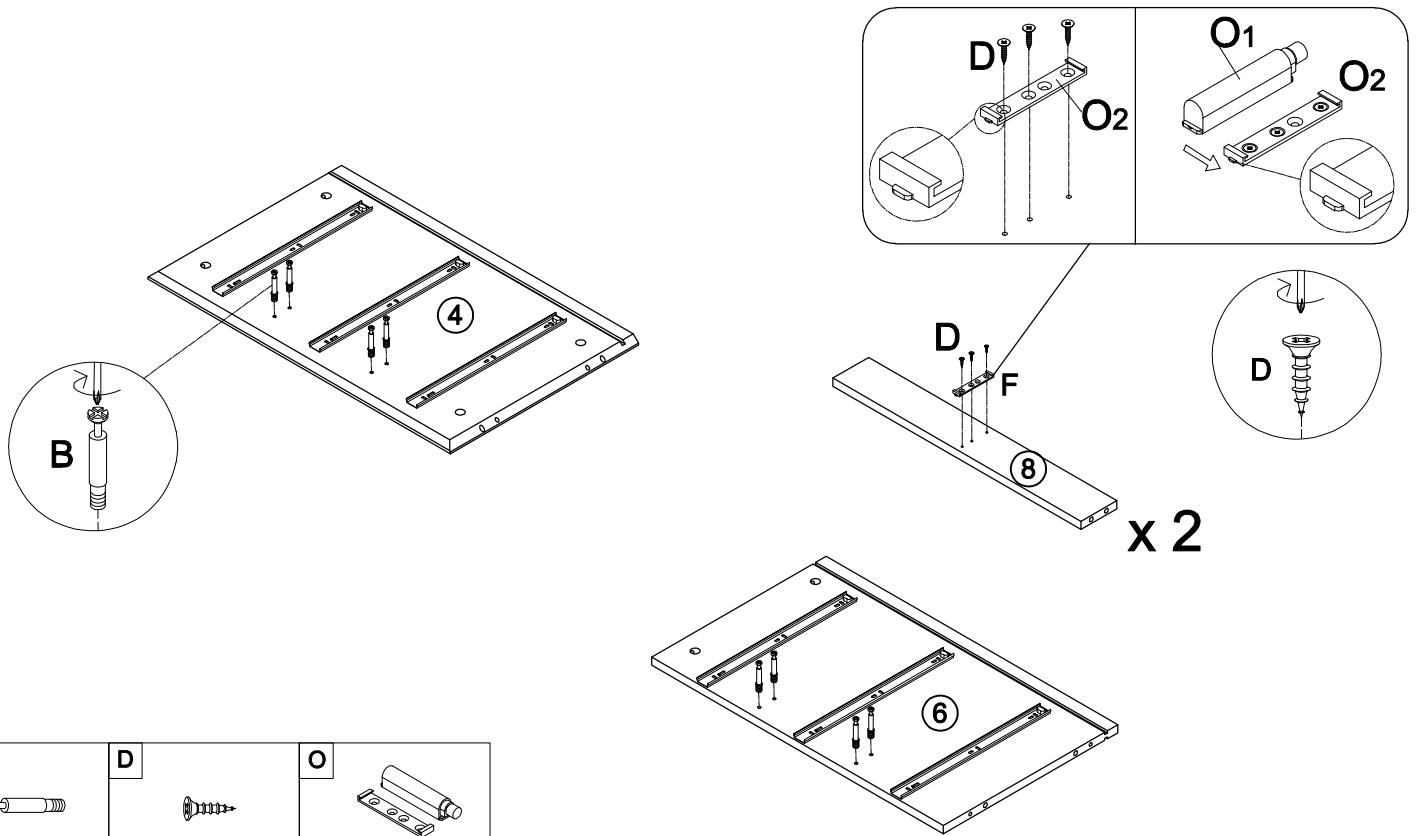
## 1. Attach parts to the Sideboard Top.

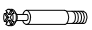
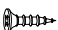
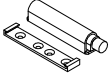


## 2. Attach parts to the Bottom Panel.

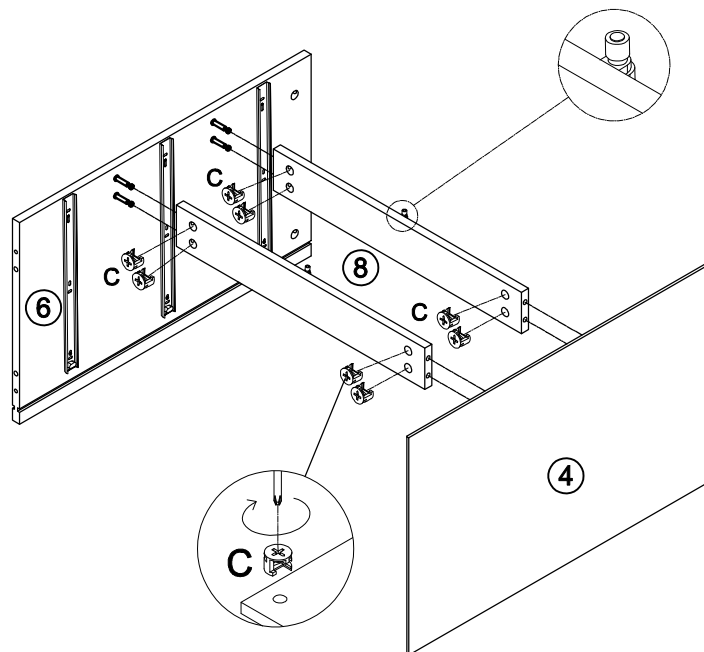



### 3. Attach parts to the Right Side Panel, Right Middle Panel and the Centre Support.



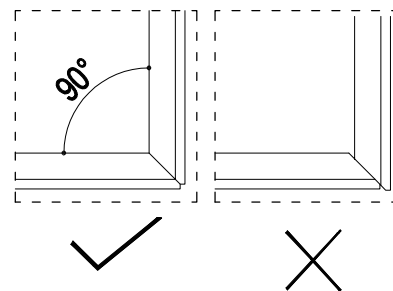
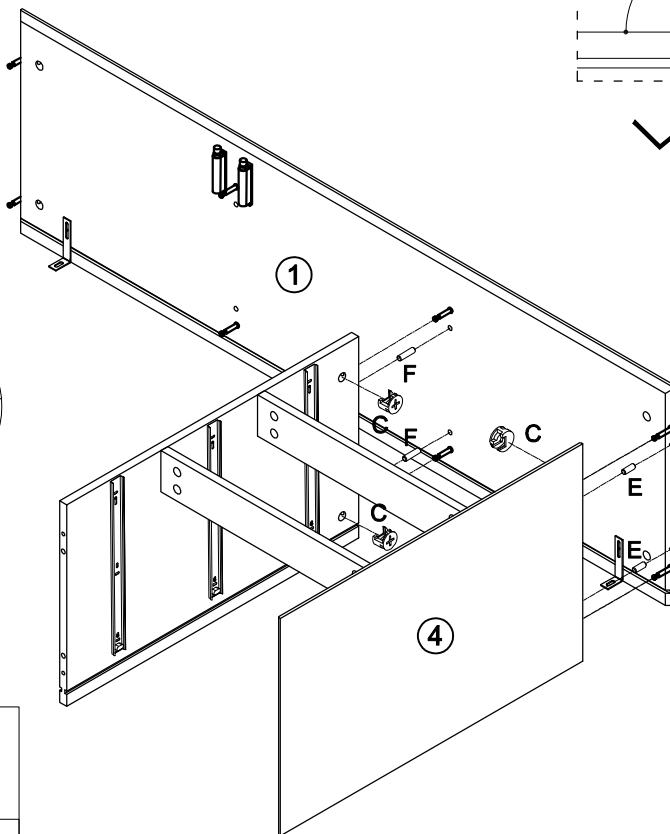
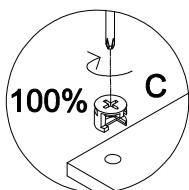
<b>B</b>	<b>D</b>	<b>O</b>
		
M6x44 CAM Lock Screw	M3.5x14mm Screw	83x14x19mm Pusher
8pcs	6pcs	2pcs

### 4. Attach the Centre Support to the Right Middle Panel and Right Side Panel.



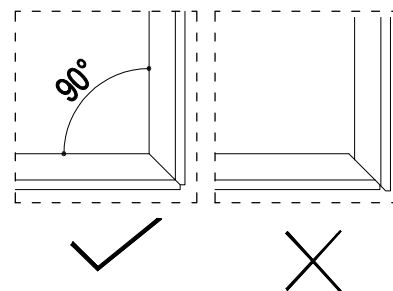
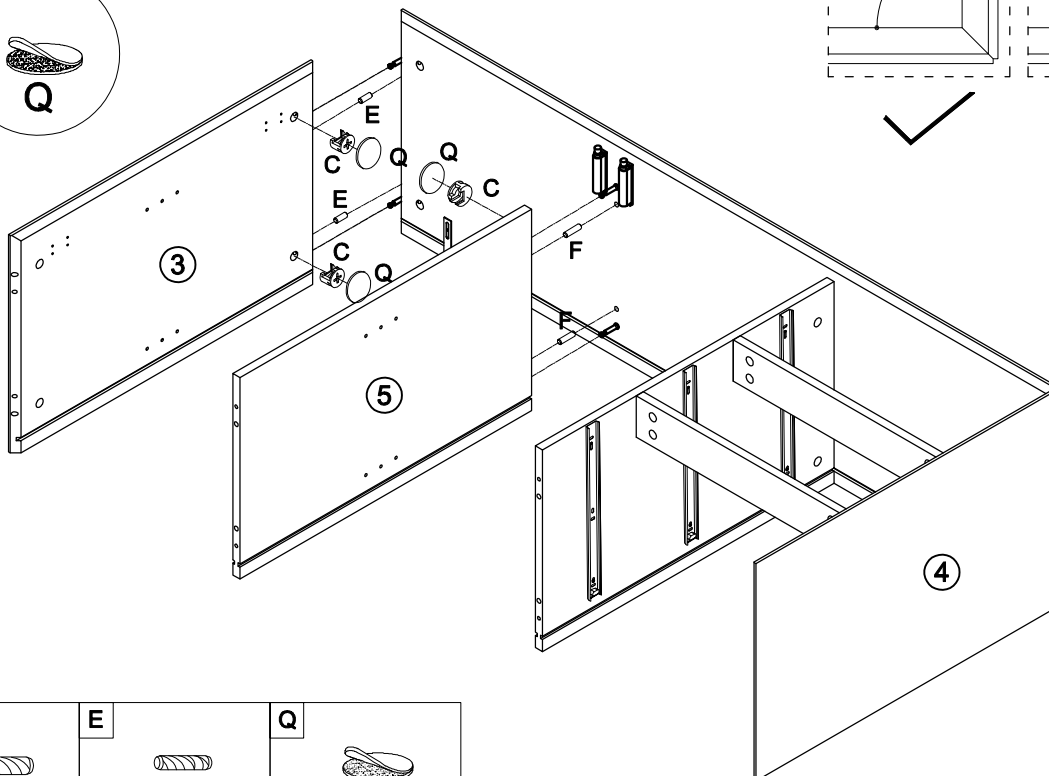
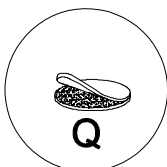
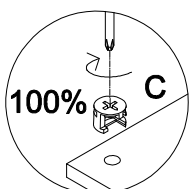
<b>C</b>

Ø15x11mm CAM Lock
8pcs

## 5. Attach the Sideboard Top to the Frame.



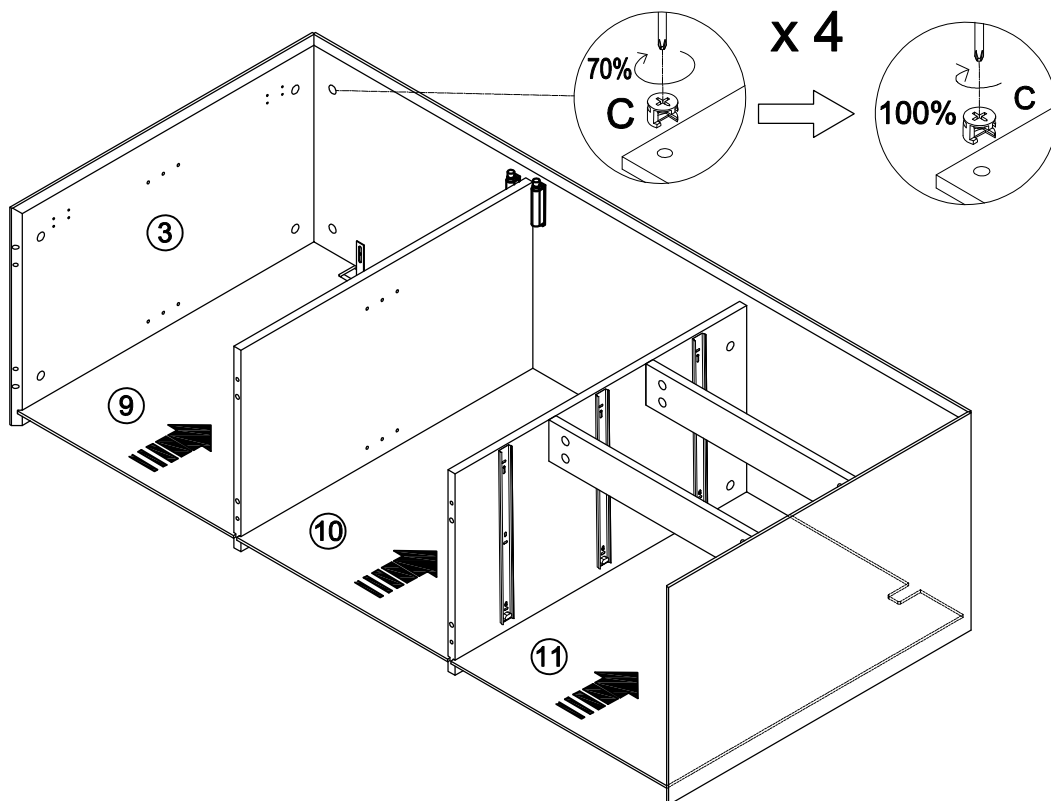
C	E	F
Φ15x11mm CAM Lock 4pcs	Φ6x25mm Wooden Dowel 2pcs	Φ8x30mm Wooden Dowel 2pcs

## 6. Attach the Left Side Panel and Left Middle Panel to the Frame.

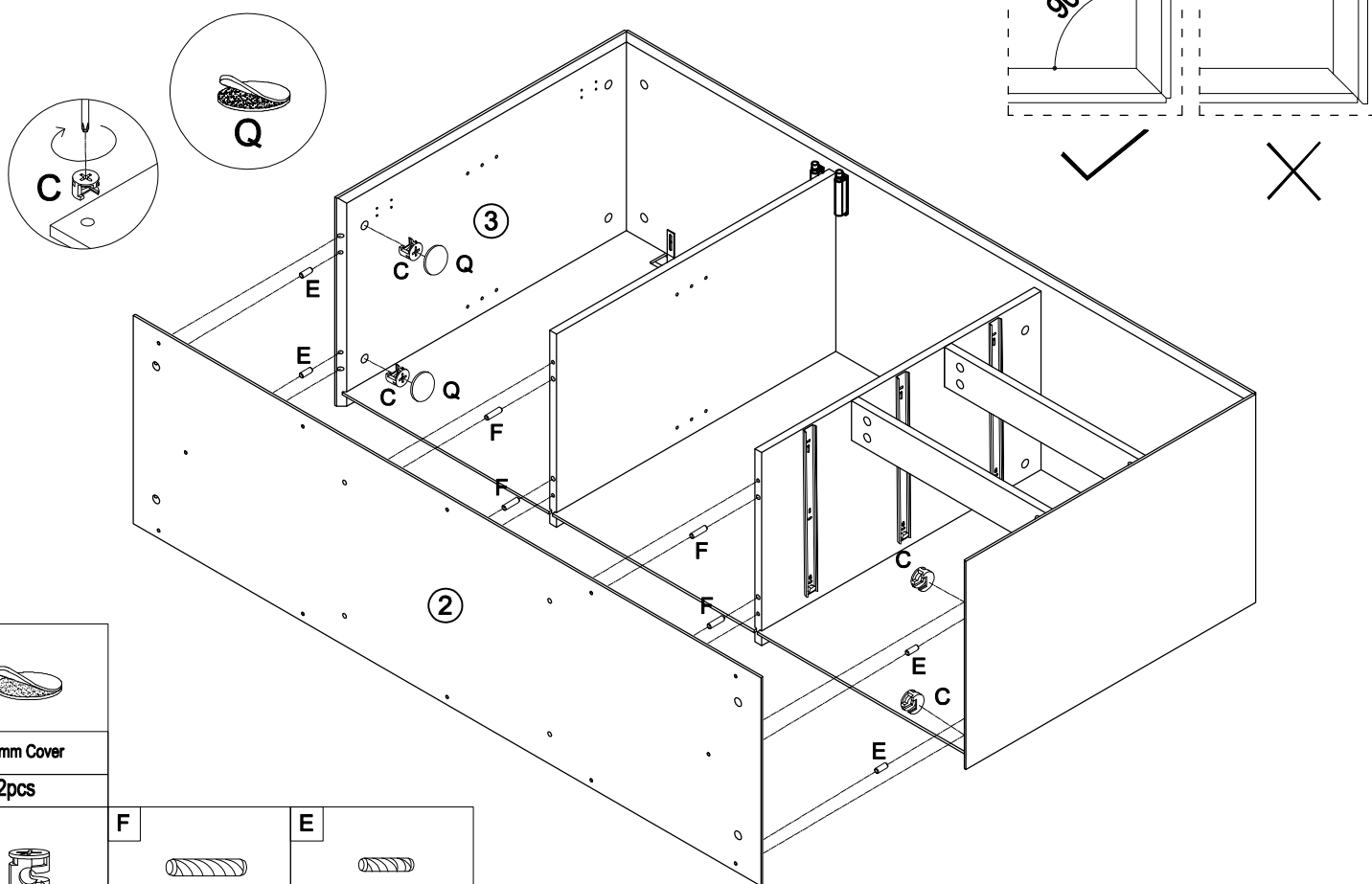


C	F	E	Q
Φ15x11mm CAM Lock 4pcs	Φ8x30mm Wooden Dowel 2pcs	Φ6x25mm Wooden Dowel 2pcs	Φ20mm Cover 4pcs

## 7. Lock the CAM Locks tightly, slide the Back Panels into the Frame.

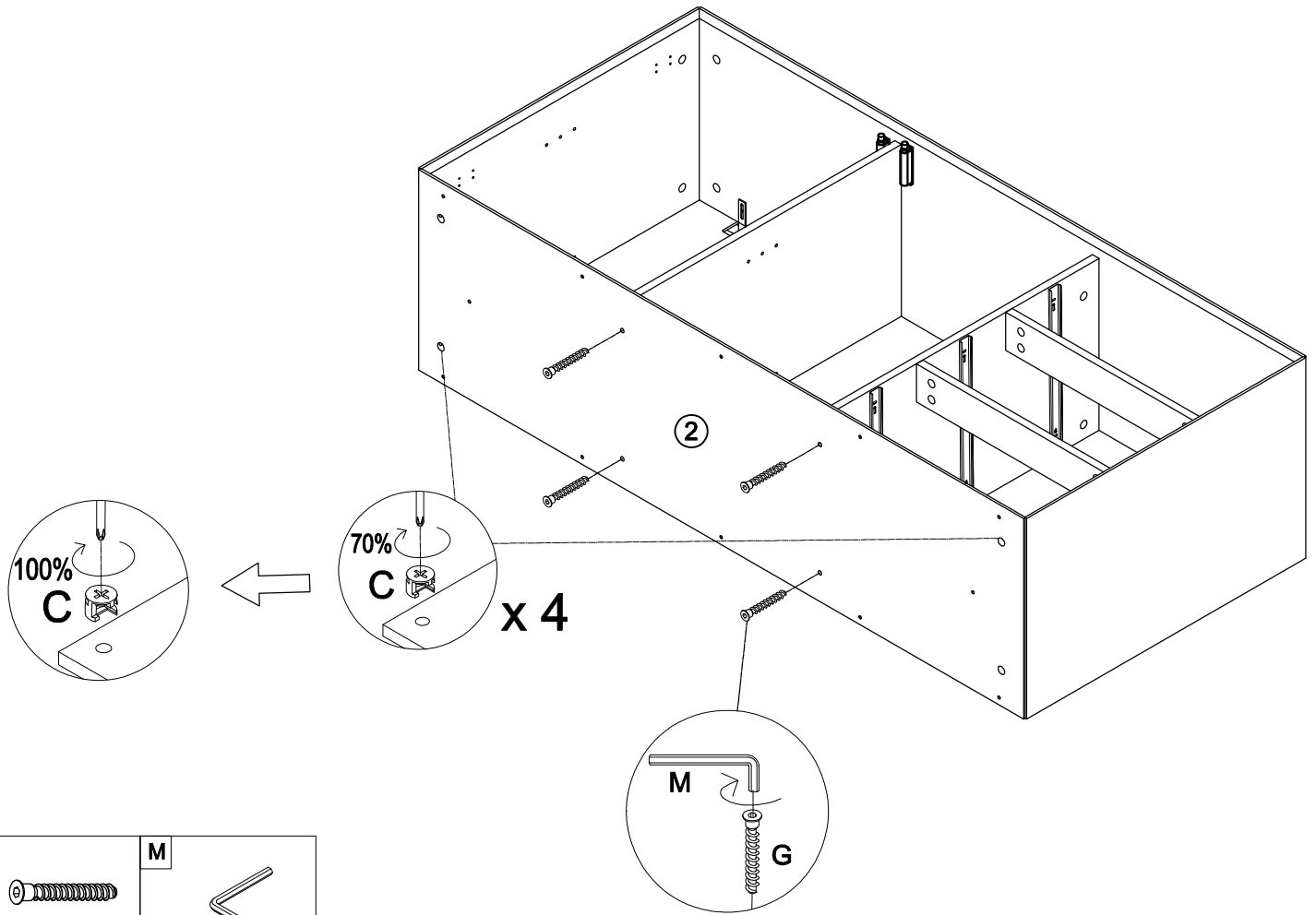




## 8. Attach the Bottom Panel to the Frame.



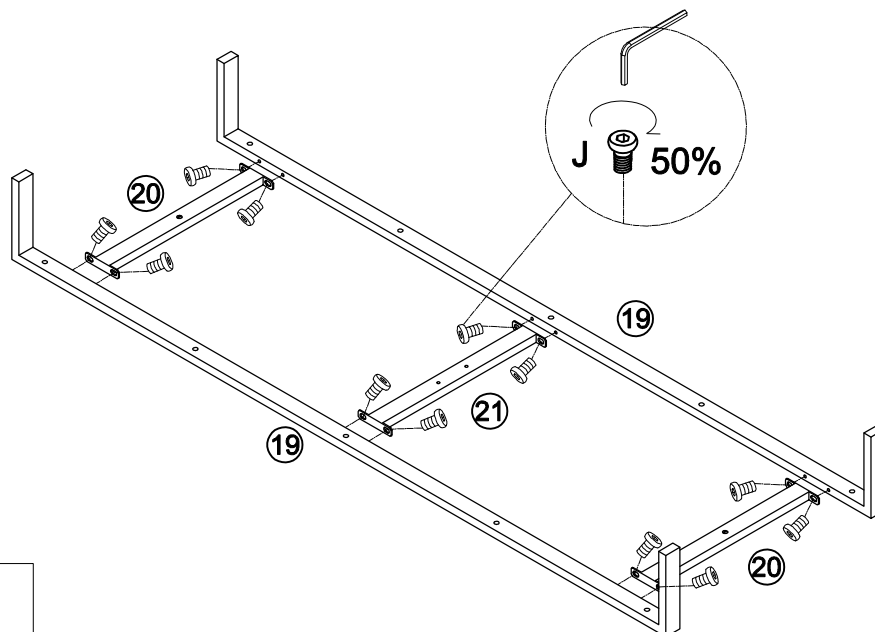
Q		
Φ20mm Cover		
2pcs		
C	F	E
Φ15x11mm CAM Lock	Φ8x30mm Wooden Dowel	Φ6x25mm Wooden Dowel
4pcs	4pcs	4pcs

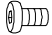
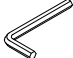
## 9. Lock the CAM Locks tightly.



<b>G</b>	<b>M</b>
	
M7x50mm Screw	4mm Allen Key
4pcs	1pc

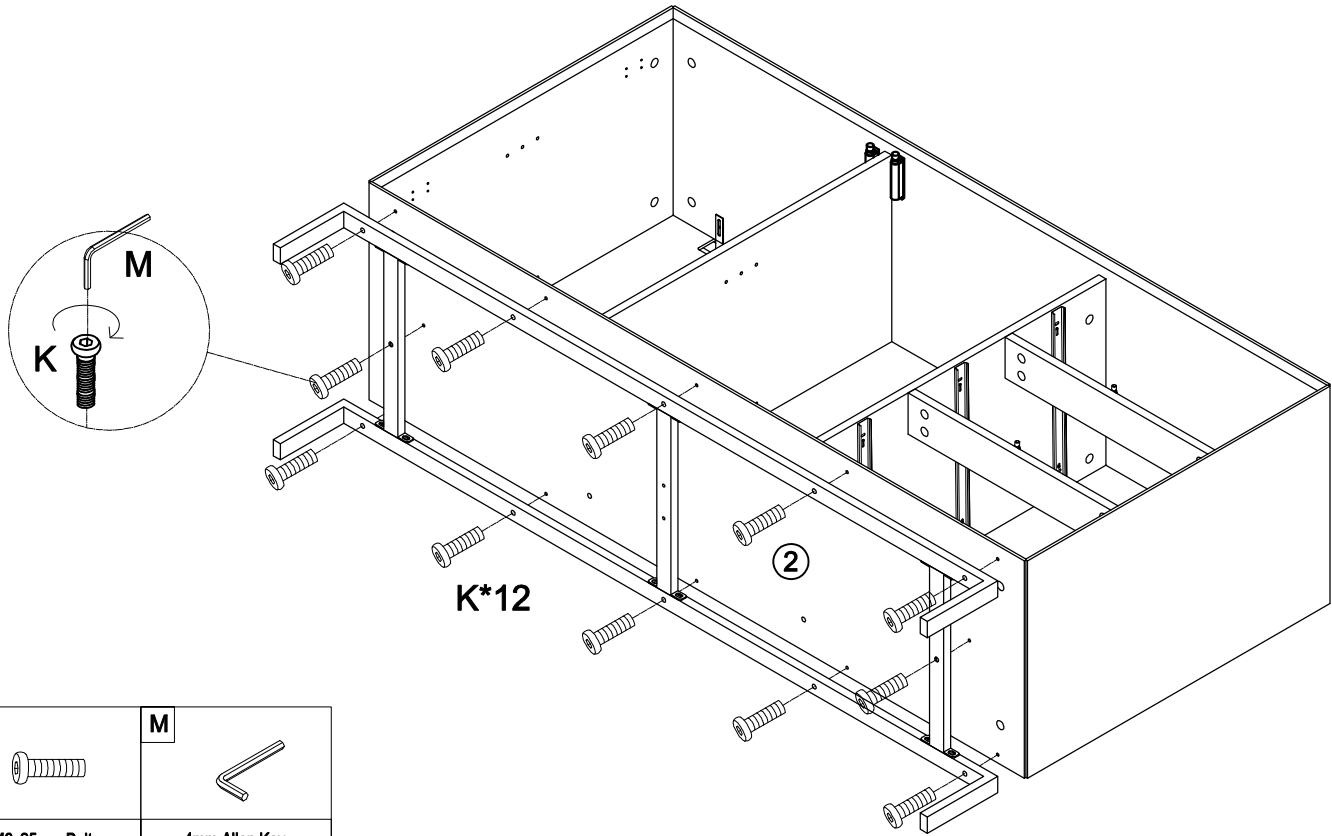
## 10. Attach the Legs to the Leg Supports.

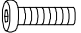
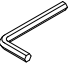


<b>J</b>	<b>M</b>
	
M6x12mm Bolt	4mm Allen Key
12pcs	1pc

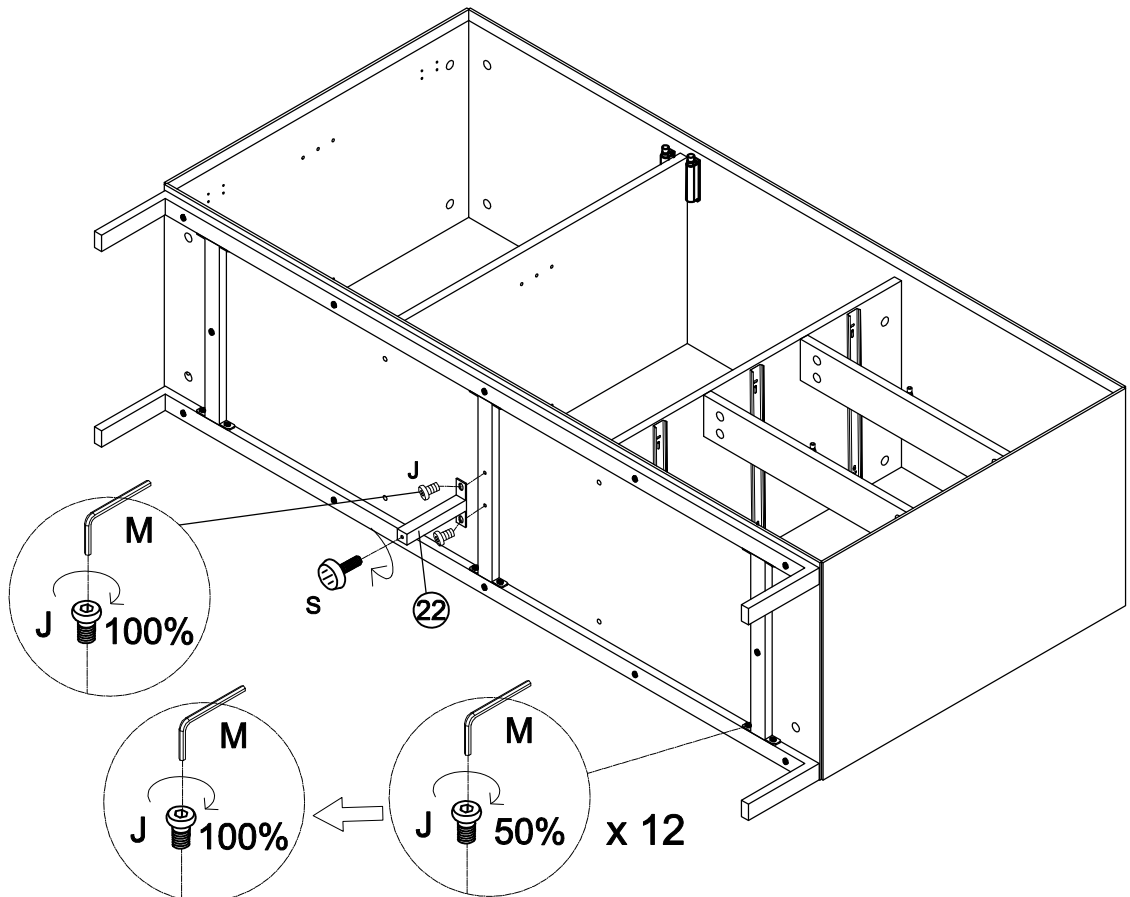



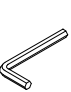

## 11. Attach the Legs to the Frame.



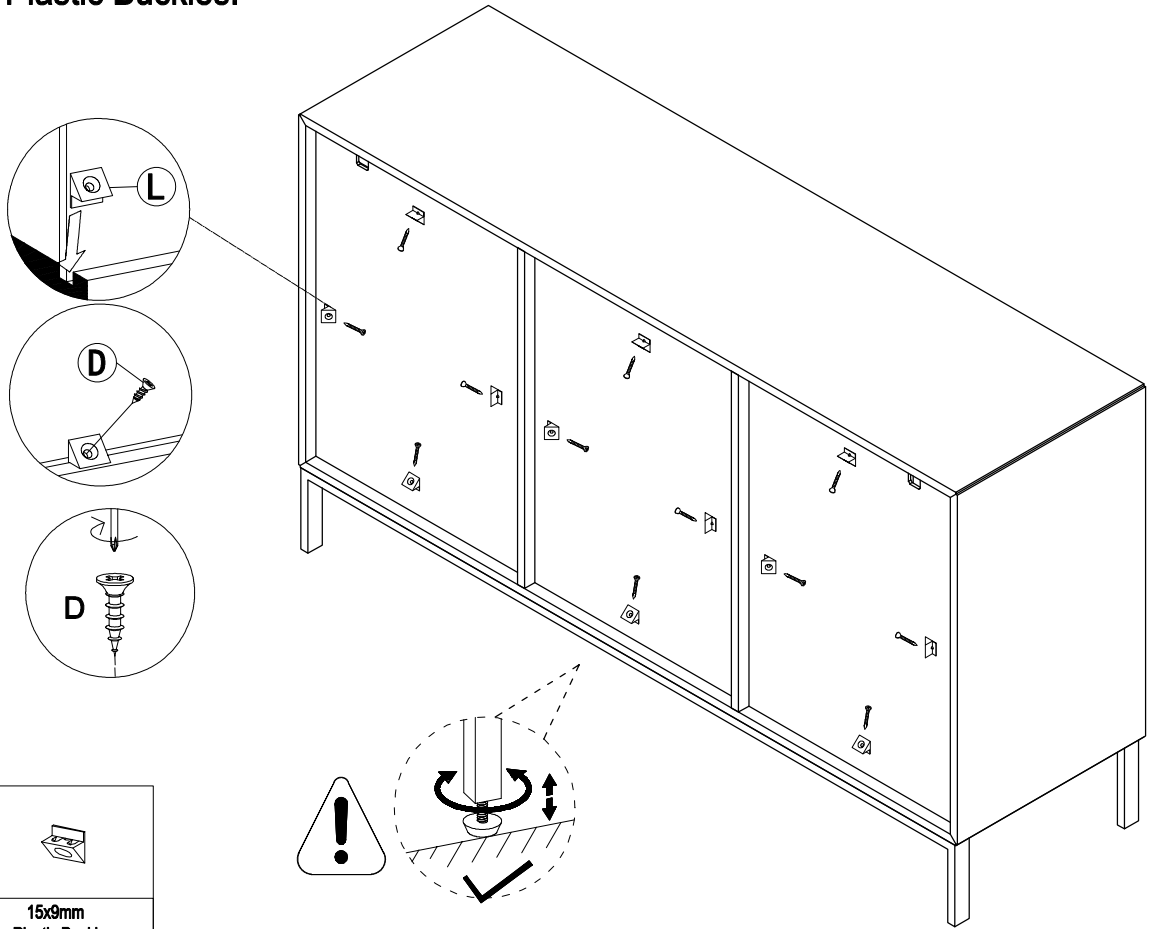
<b>K</b>		<b>M</b>	
	M6x25mm Bolt		4mm Allen Key
	12pcs		1pc

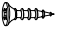

## 12. Attach the Centre Leg to the frame and Lock the Bolts tightly.



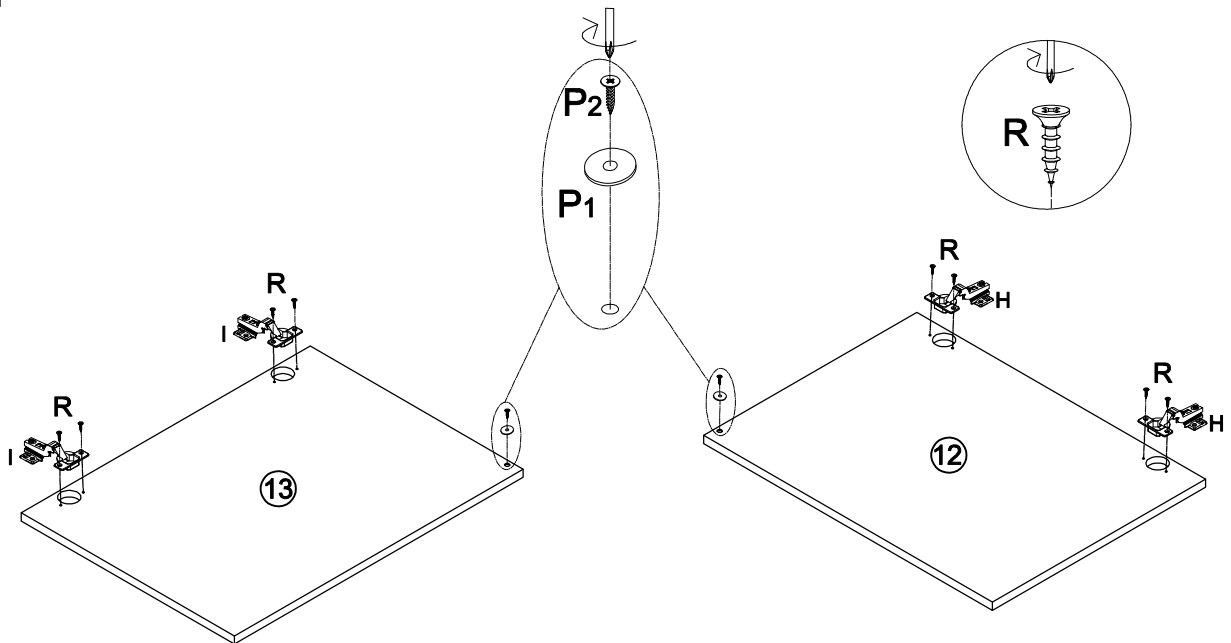
<b>S</b>	
	M6 Adjustable Foot
	1pc
<b>M</b>	
	4mm Allen Key
	1pc
<b>J</b>	
	M6x12mm Bolt
	2pcs

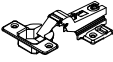
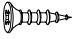


### 13. Attach the Plastic Buckles.



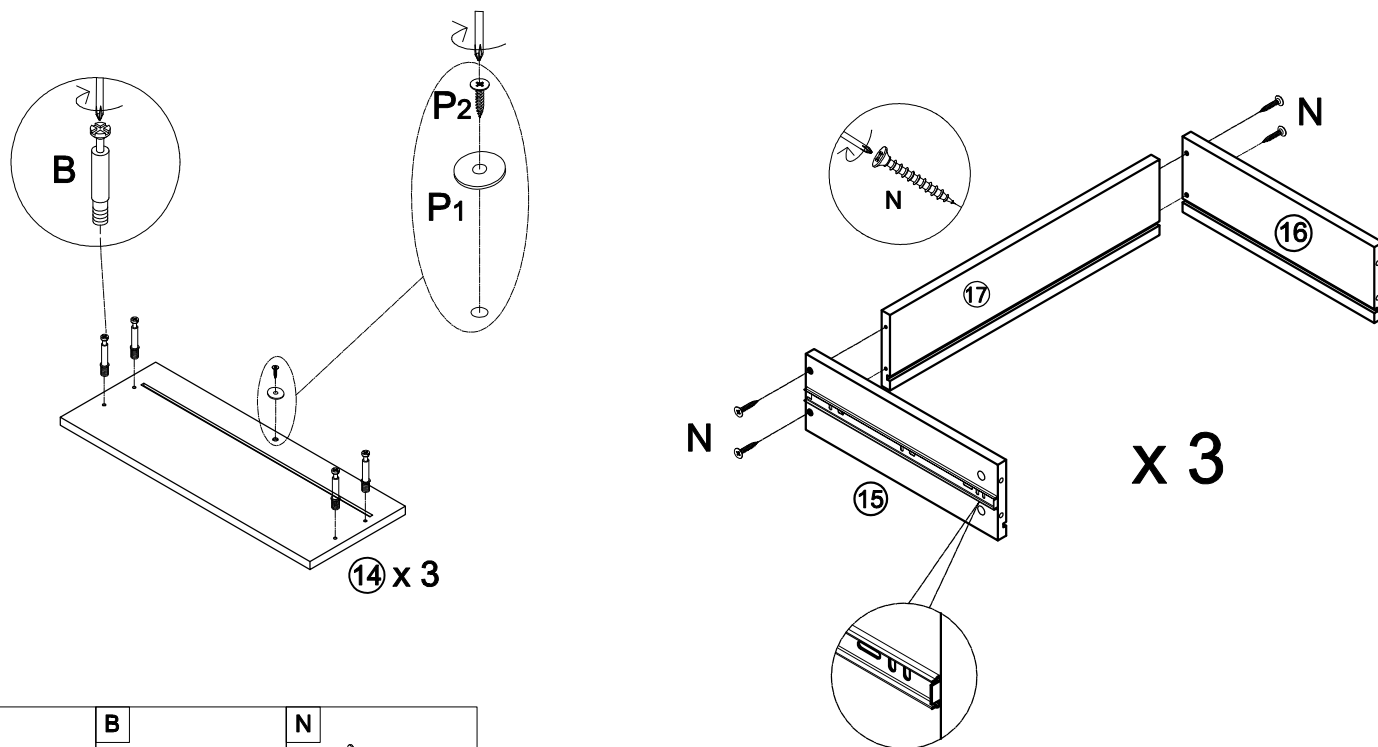
<b>D</b>	<b>L</b>
	
M3.5x14mm Screw	15x9mm Plastic Buckle
12pcs	12pcs

### 14. Attach parts to the Doors.



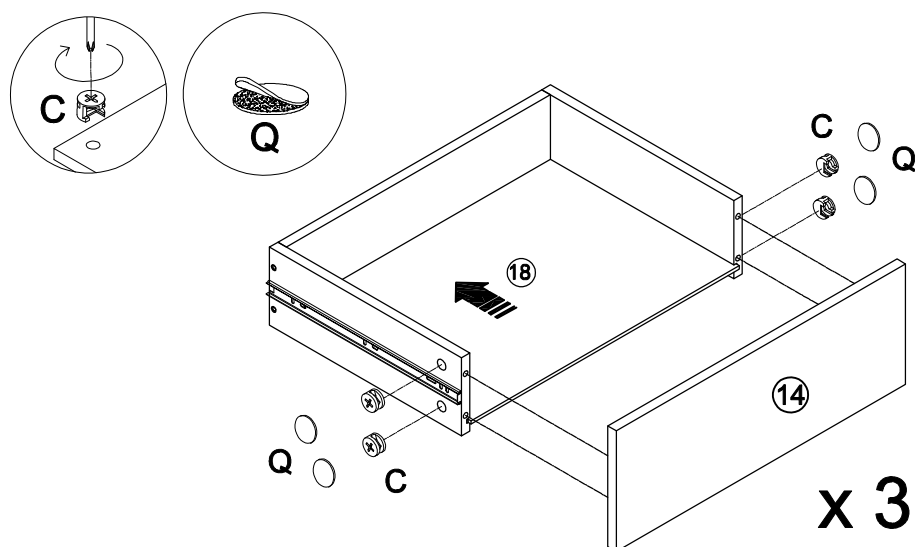
<b>H</b>	<b>R</b>	<b>P</b>	<b>I</b>
			
Hinge	M4x14mm Screw	Ø16mm Screw and Washer	Hinge
2pcs	8pcs	2pcs	2pcs

## 15. Assemble the drawers.



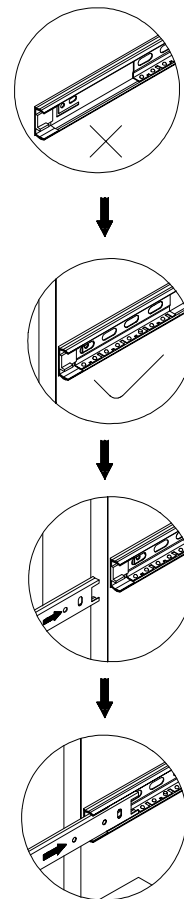
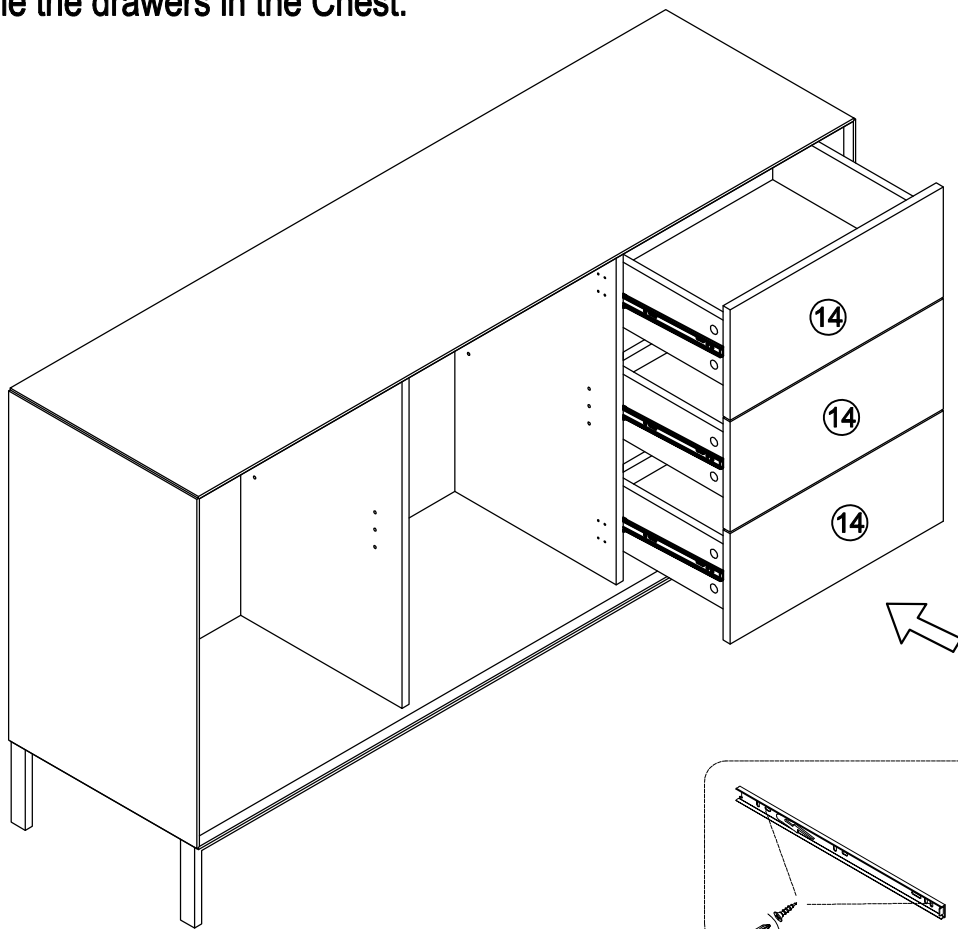
P	B	N
Ø16mm Screw and Washer	M6x44 CAM Lock Screw	M3.5x35mm Screw
3pcs	12pcs	12pcs

## 16. Slide in the Drawer Base, and attach the Drawer Front by locking the CAM Locks tightly.

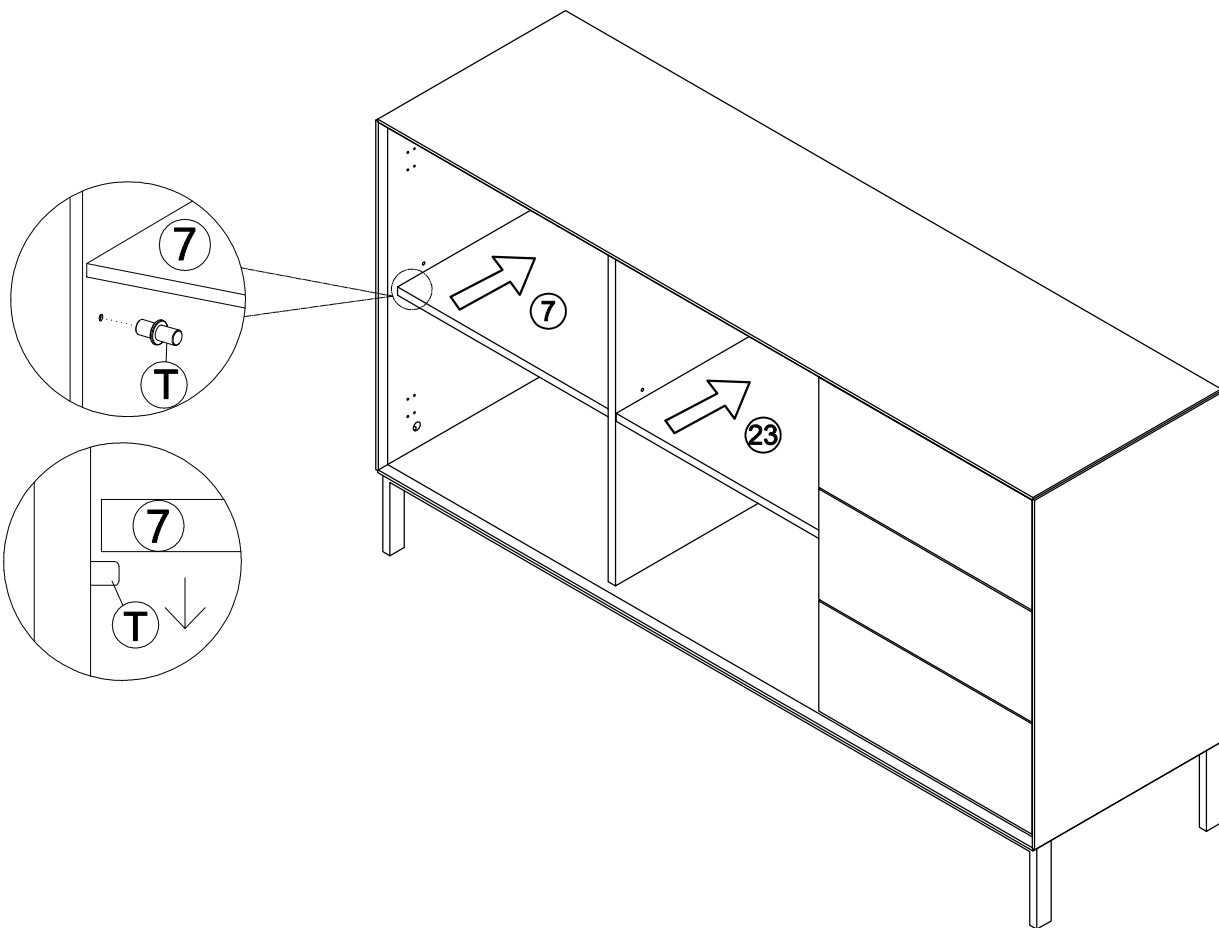



C	Q
Φ15x11mm CAM Lock	Φ20mm Cover
12pcs	12pcs

### 17. Assemble the drawers in the Chest.

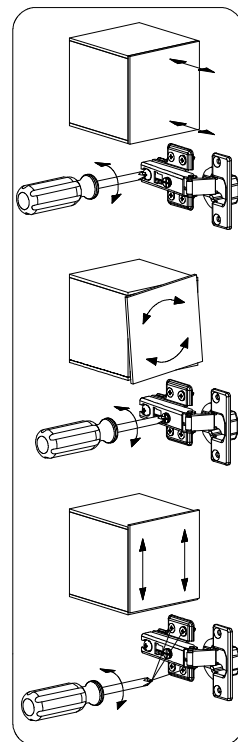
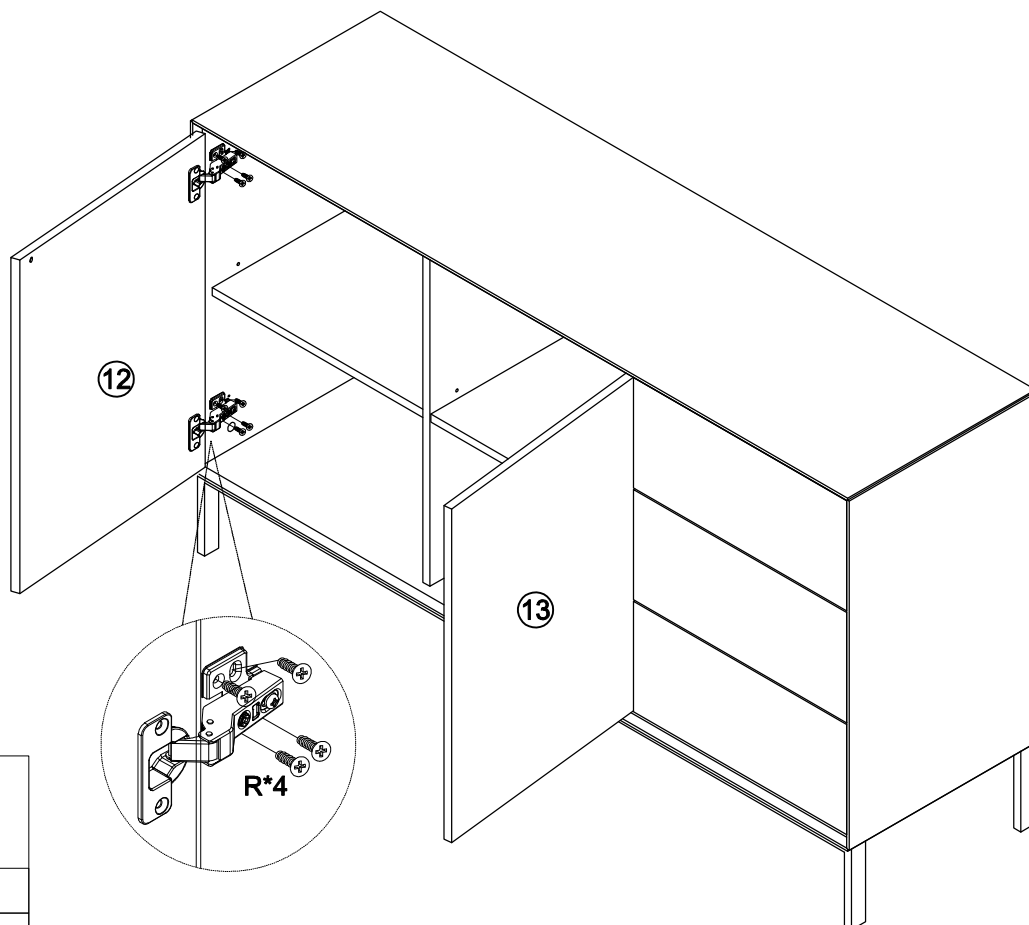


### 18. Put the Shelves into the Frame.



T

Φ5x16mm Shelf Support 8pcs

## 19. Attach the Doors to the Frame.



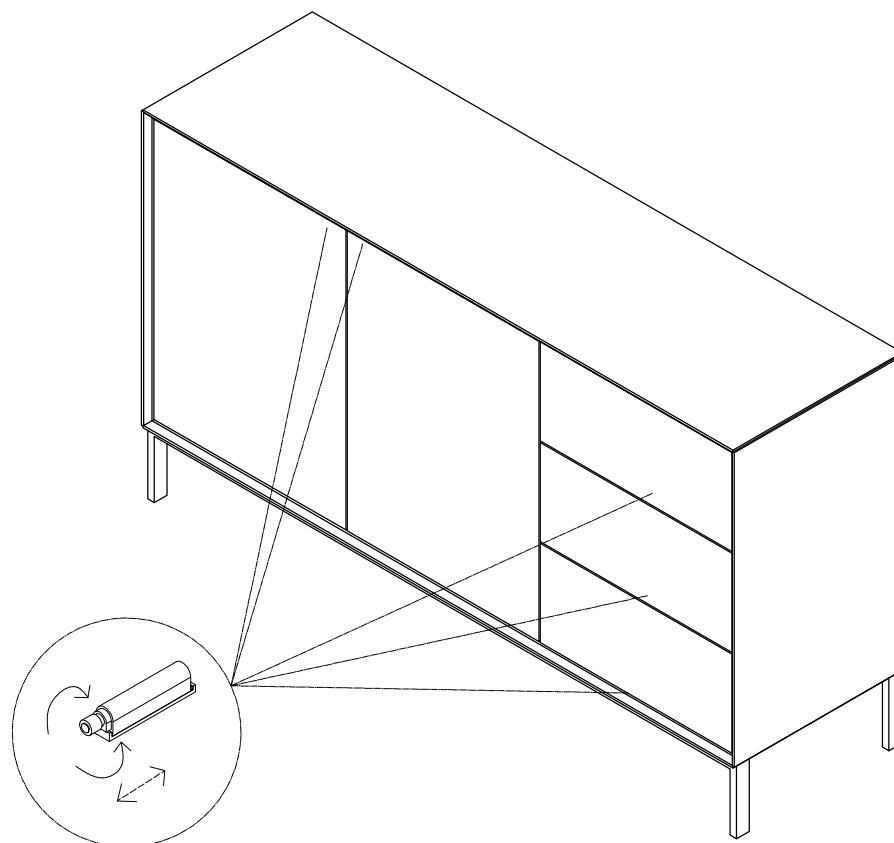
R



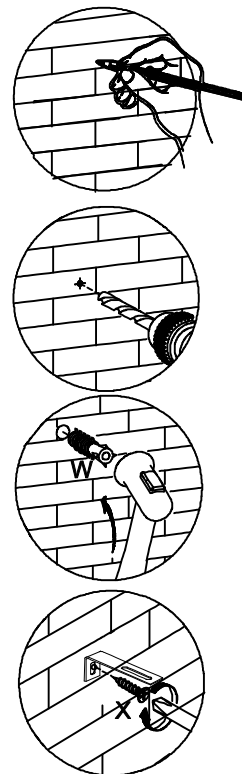
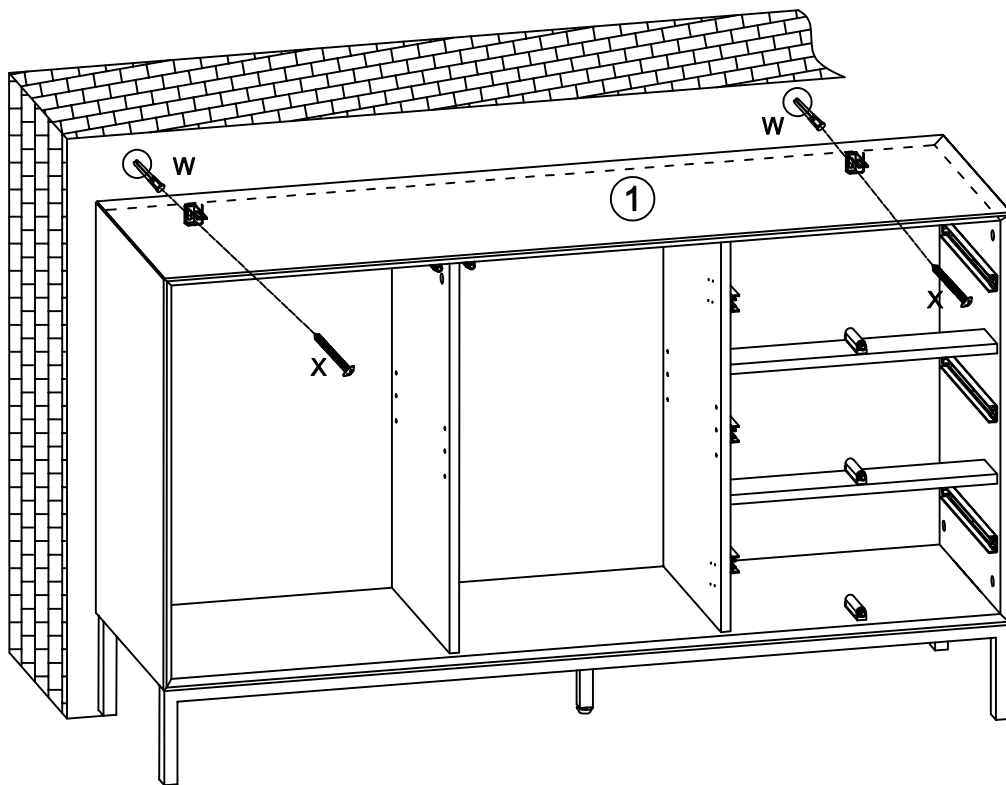
M4x14mm Screw


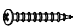
16pcs

## 20. Adjust the pushers to appropriate position.



## 21. Fix the L-Shaped Bracket to the wall.



W	X
	
Φ8mm Expansion Tube	M4x40mm Screw
2pcs	2pcs