

DUSK.COM

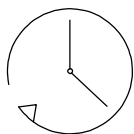
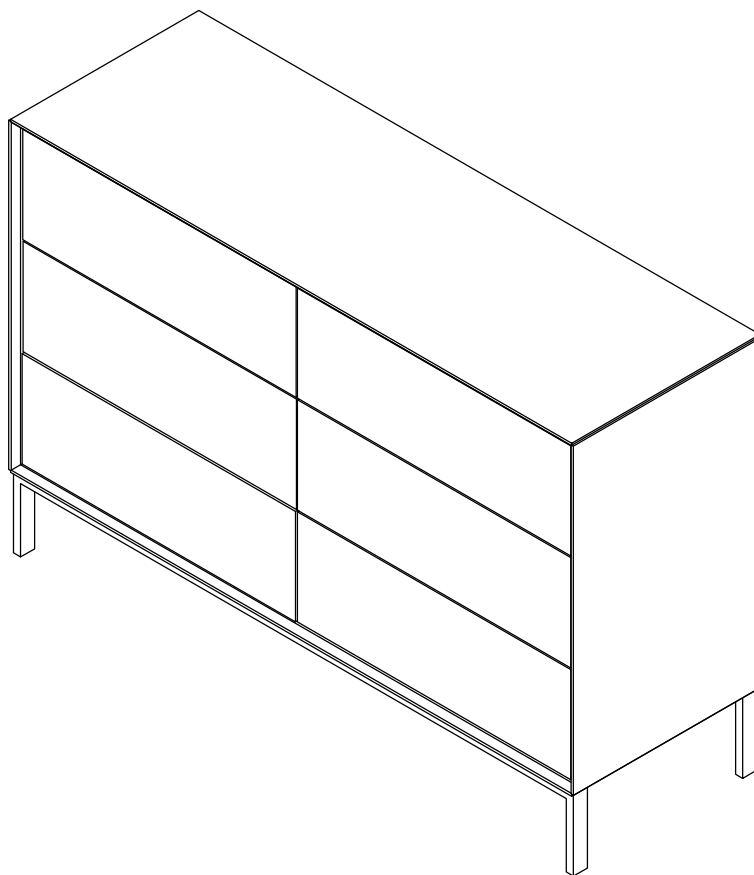
LIVING | BEDROOM | DINING

Range Name:NOVA

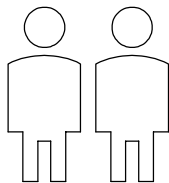
Box1 dimensions:L134xW52xH20.5(cm)

Box2 dimensions:L78xW70.5xH11.5(cm)

Nova chest



Up to 60 minutes
assembly time



Two person
assembly

This product is intended for domestic use only, not commercial purposes.

IMPORTANT

ASSEMBLY TIP

Before you begin , it's best to identify all of the parts and fittings to build your chest frame . We advise laying these out on the clean and flat floor to check you have everything , and to familiarise yourself with all of the parts and fittings before building.

TOP TIP

We recommend that you assemble the chest in the room you'd like it to be located . This will help prevent any risk of damage to the frame whilst moving it .

SAFETY AND CARE

1. Do not stand on your product. Pregnant women should take additional care when using this product. Do not leave the child unattended. Children should always be under direct adult supervision whilst using this product. Always use on firm level ground, ensuring all legs remain in contact with the ground.
2. It's important to ensure children and animals are kept away from the assembly area, as there are small components used in this product which could present a choking hazard. All plastic and wrapping materials should also be kept away from children and animals to prevent any risk of suffocation.

HELP AND SUPPORT

Please contact our customer service team on 0113 519 0311 if you have any questions or issues with your purchase.

RECYCLING

Please ensure that packaging is disposed of in a safe and environmentally friendly way, and recycle where possible. Please keep your assembly instructions safe to refer back to in the future.

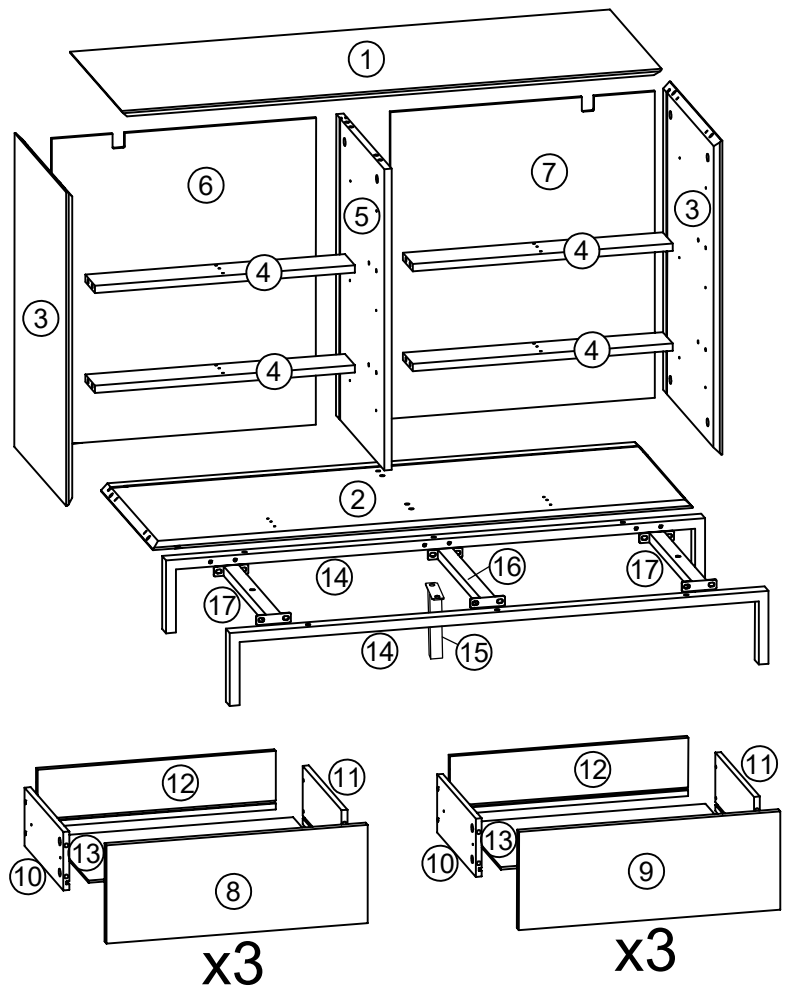
CARE AND MAINTENANCE:

1. Only use clean , colourless sponge or cloth to avoid any colour transfer or smearing , do not use bleach or abrasive cleaners as they may damage the chest top over time.
2. Do not use a very wet cloth or allow any liquid to contact with the chest for a long period of time . Wipe any spillage immediately.
3. Do not scrub or rub the surface when cleaning.
4. Do not drag the chest when moving , lift it off the floor instead.
5. Use a placemat or a coaster when putting hot items (e . g . hot drinks and dishes) on the chest surface.
6. It is not recommended to place the item next to sources of heat such as radiators , fires or directly exposed to sunlight.
7. Regularly check all fixings to ensure none have come loose . Re - tighten if necessary.
8. Avoid sharp items such as a screwdriver or any pointy tools.
9. Dispose of all packaging carefully and responsibly - recycle where possible.
10. Due to the delicate nature of this product , please gently place hard items onto the chest top to avoid damaging the surface.

Parts List

Before you begin building your Nova chest, please take a moment to read through the instructions and make sure that you have all the relevant parts listed on the parts check list.

Part Number	Part Description	Quantity
①	Chest top	1 pc
②	Bottom panel	1 pc
③	Side panel	2 pcs
④	Centre Support	4 pcs
⑤	Middle panel	1 pc
⑥	Left back panel	1 pc
⑦	Right back panel	1 pc
⑧	Left drawer front	3 pcs
⑨	Right drawer front	3 pcs
⑩	Drawer left panel	6 pcs
⑪	Drawer right panel	6 pcs
⑫	Drawer back panel	6 pcs
⑬	Drawer base	6 pcs
⑭	Legs	2 pcs
⑮	Centre Leg	1 pc
⑯	Middle Leg Support	1 pc
⑰	Side Leg Support	2 pcs

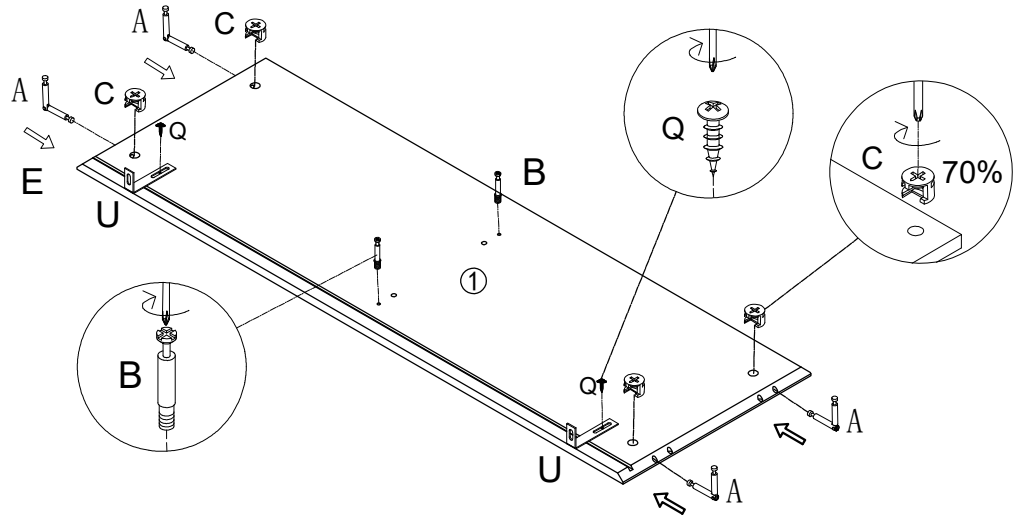


Fittings

Please check you have all the fittings listed below with your product

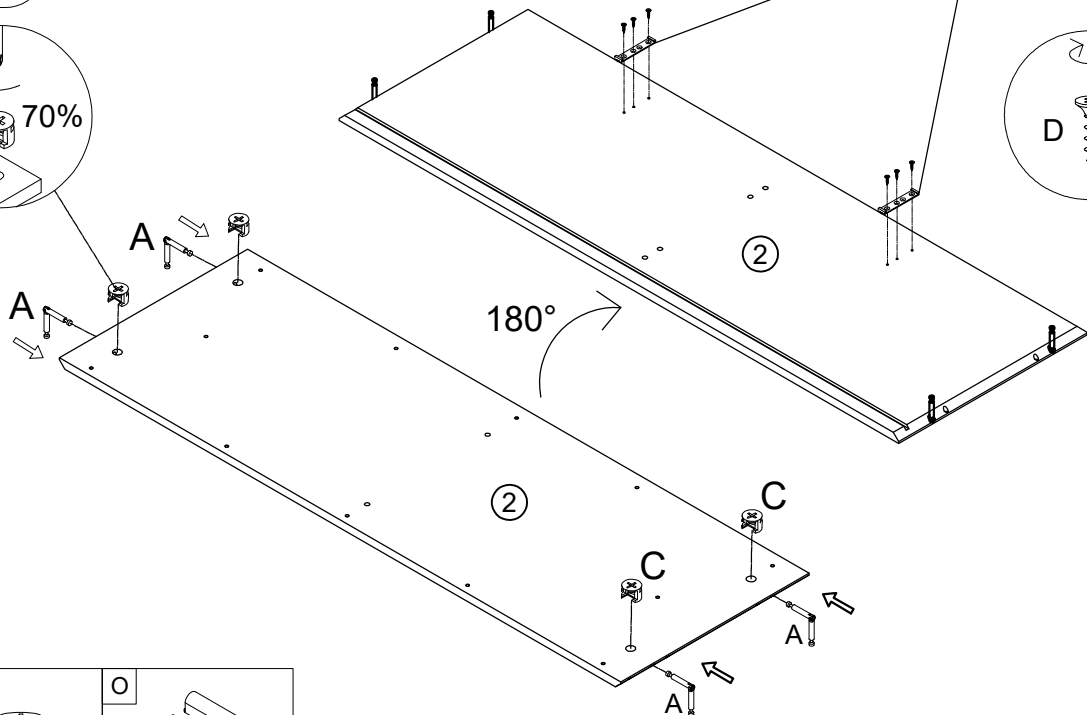
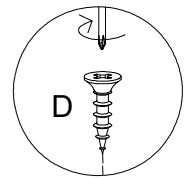
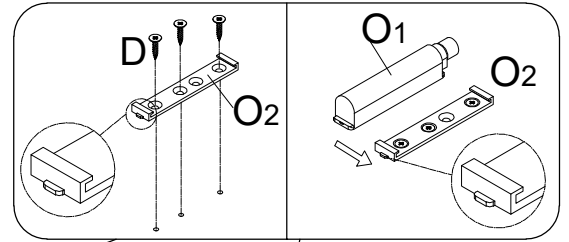
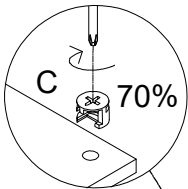
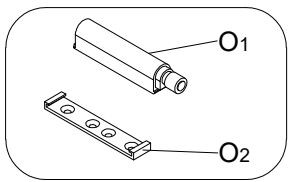
A		B		C		D		E		F		G		H	
	M6x84 CAM Lock Screw		M6x44 CAM Lock Screw		Φ15x11mm CAM Lock		M3.5x14mm Screw		Φ6x25mm Wooden Dowel		Φ8x30mm Wooden Dowel		M7x50mm Screw		Φ6*82mm CAM Lock Screw
	8pcs+1pc extra		34pcs+2pcs extra		58pcs+2pcs extra		26pcs +2pcs extra		8pcs+1pc extra		4pcs +1pc extra		2pcs		4pcs
I		J		K		L		M		N		O		P	
	Φ20mm Cover		M6x12mm Bolt		M6x25mm Bolt		15x9mm Plastic Buckle		4mm Allen Key		M3.5x35mm Screw		83x14x19mm Pusher		Ø16mm Screw and Washer
	24pcs+2pcs extra		14pcs+1pc extra		12pcs+1pc extra		8pcs+1pc extra		1pc		24pcs+2pcs extra		6pcs+1pc extra		6pcs+1pc extra
Q		R		S		T		U							
	M4x12mm Screw		M6 Adjustable Foot		Φ8mm Expansion Tube		M4x40mm Screw		76x23mm L-shaped Bracket						
	2pcs		1pc		2pcs		2pcs		2pcs						

1. Attach parts to the Chest Top.



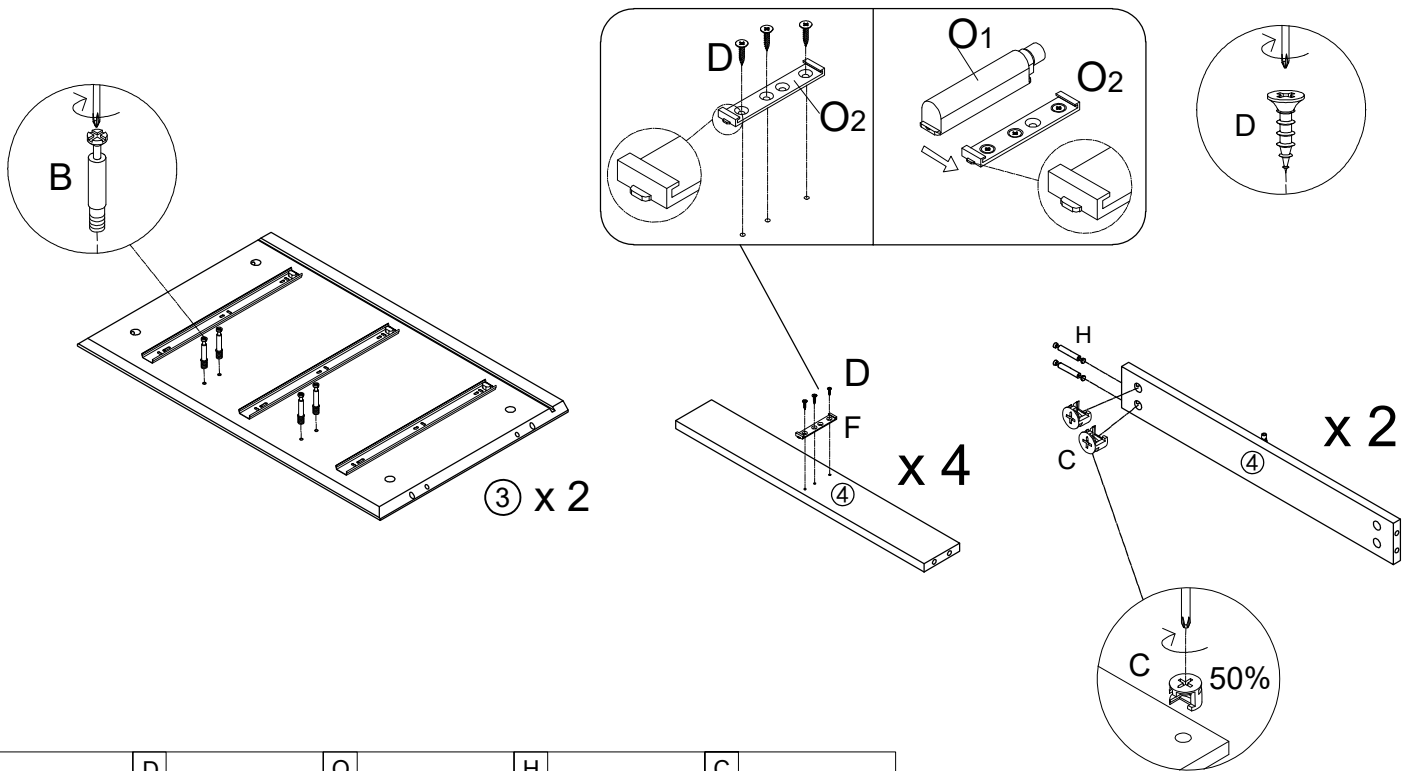
A	B	C	U	Q
M6x84 CAM Lock Screw	M6x44 CAM Lock Screw	Φ15x11mm CAM Lock	76x23mm L-shaped Bracket	M4x12mm Screw
4pcs	2pcs	4pcs	2pcs	2pcs

2. Attach parts to the Bottom Panel.



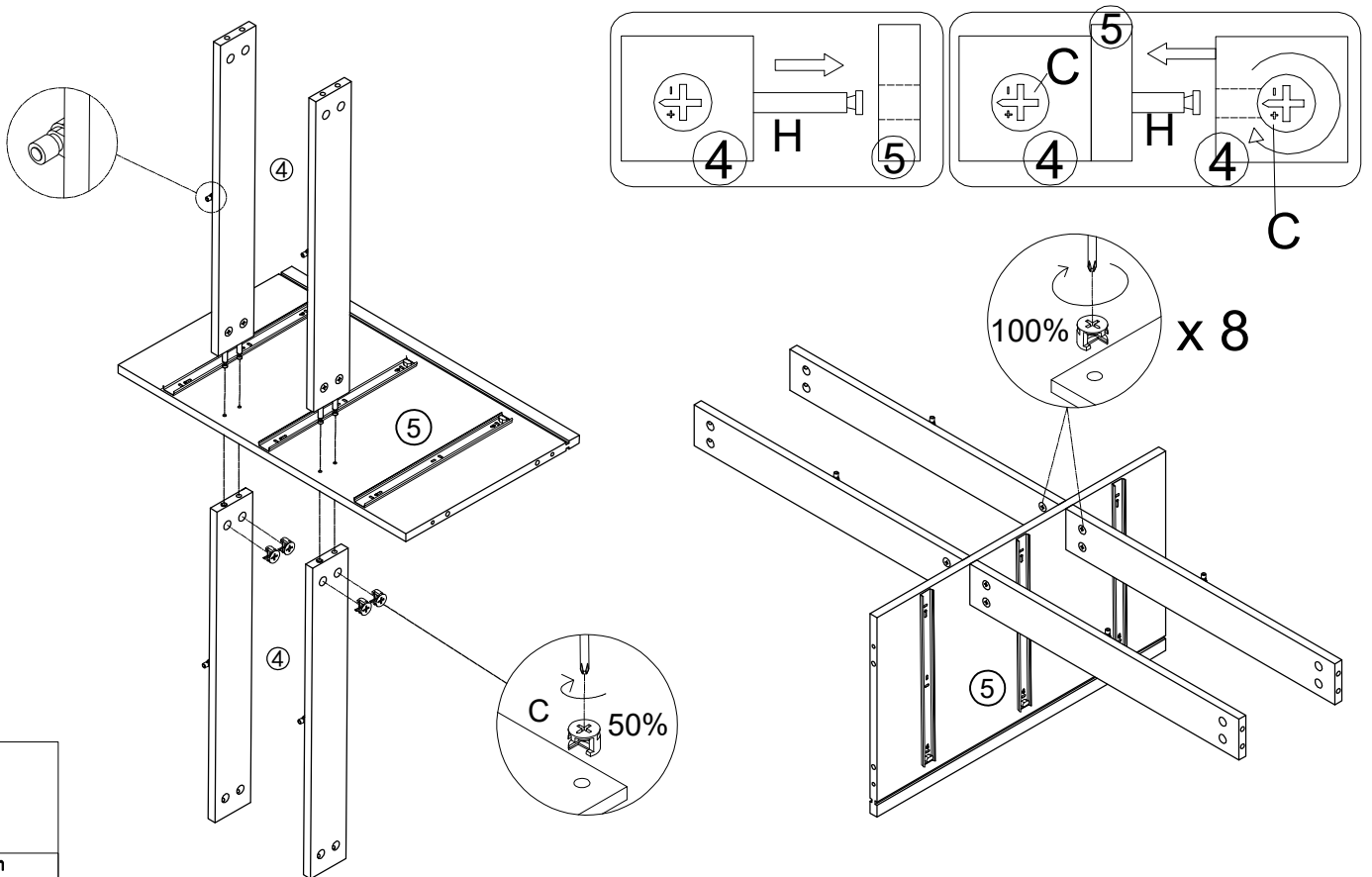
D		
M3.5x14mm Screw		
6pcs		
A	C	O
M6x84 CAM Lock Screw	Φ15x11mm CAM Lock	83x14x19mm Pusher
4pcs	4pcs	2pcs

3. Attach parts to the Side Panels and Centre Support.



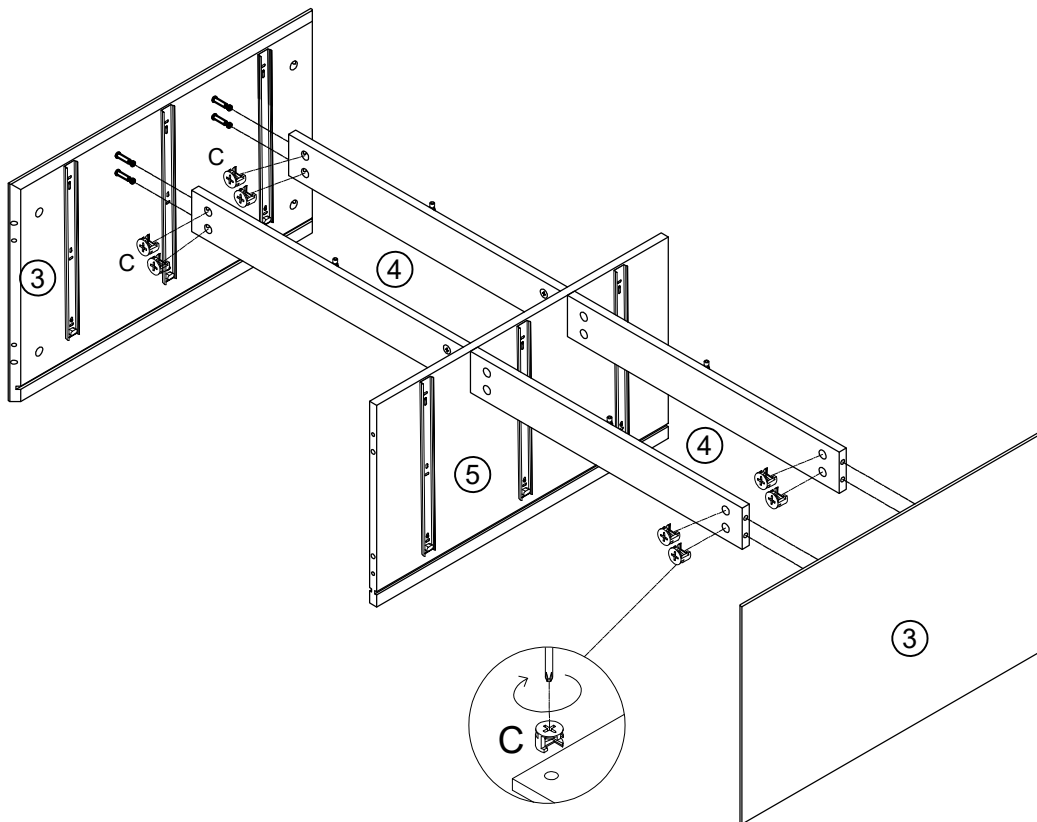
B	D	O	H	C
M6x44 CAM Lock Screw 8pcs	M3.5x14mm Screw 12pcs	83x14x19mm Pusher 4pcs	Φ6*82mm CAM Lock Screw 4pcs	Φ15x11mm CAM Lock 4pcs


4. Attach the Centre Support to the Middle Panel.



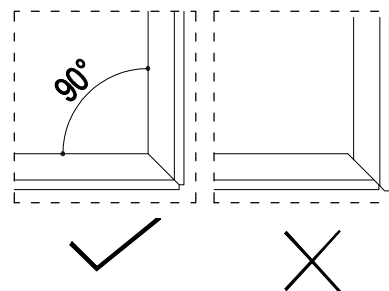
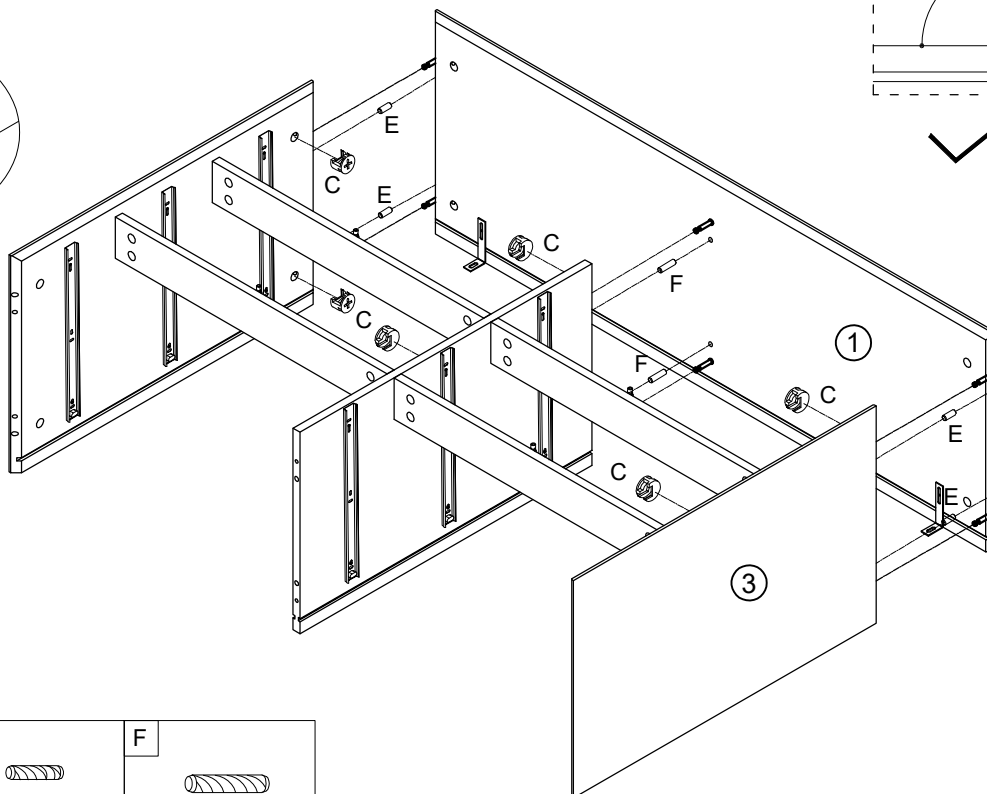
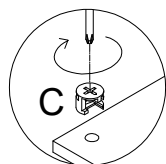
C
Φ15x11mm CAM Lock 4pcs




5. Attach the Side Panels to the Frame.



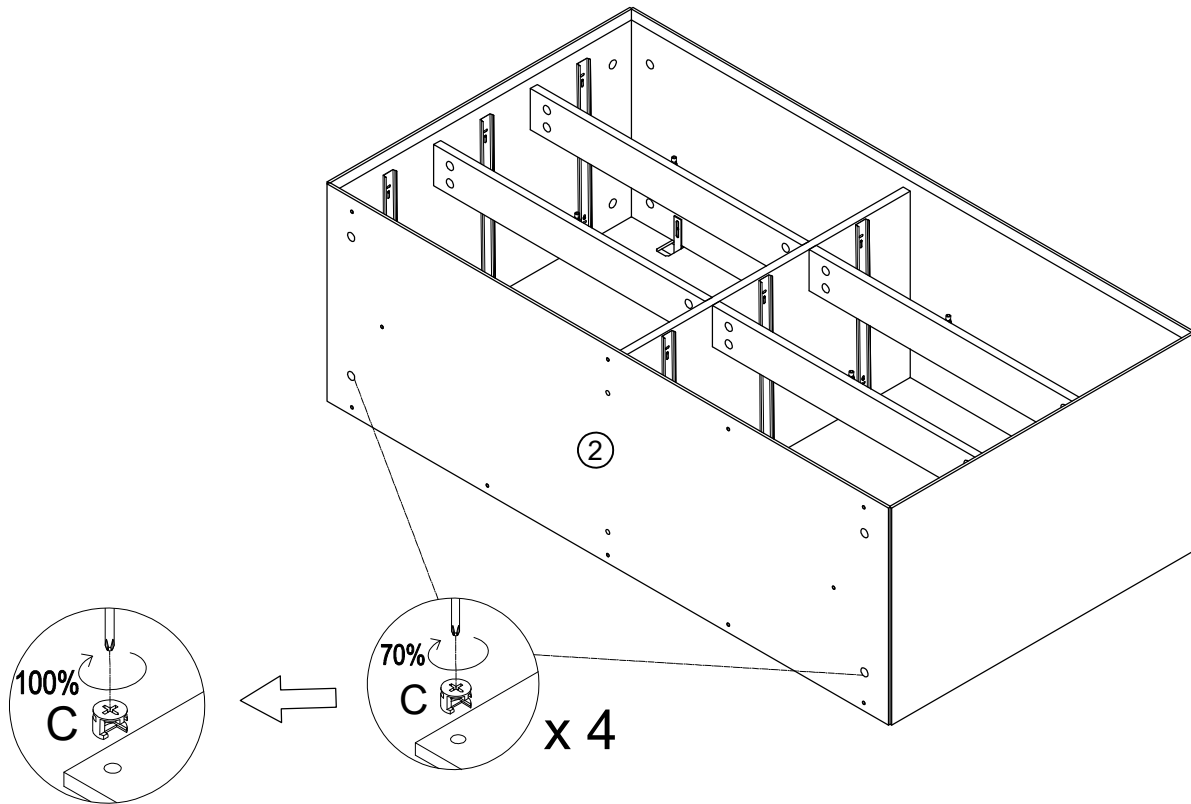
C	
Φ15x11mm CAM Lock 8pcs	

6. Attach the Chest Top to the Frame.

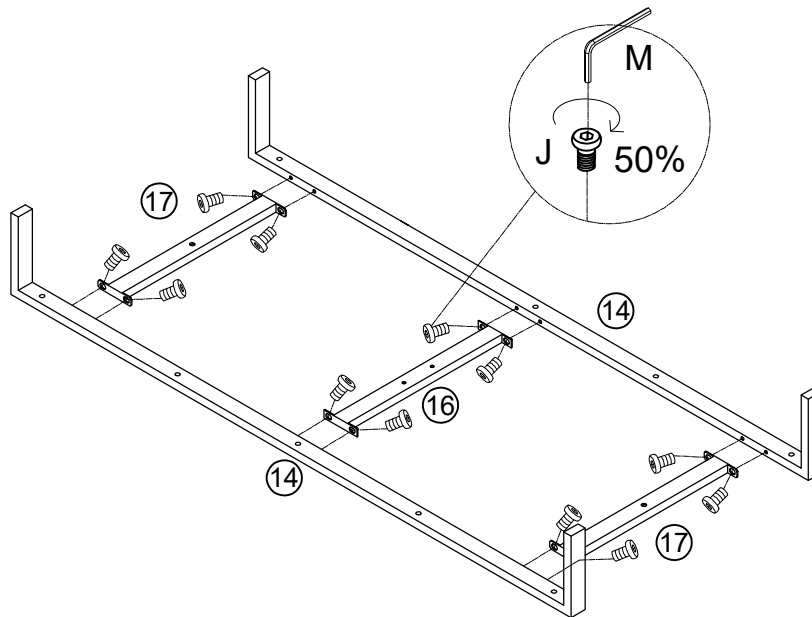



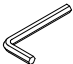
C	E	F
		
Φ15x11mm CAM Lock 6pcs	Φ6x25mm Wooden Dowel 4pcs	Φ8x30mm Wooden Dowel 2pcs

9. Lock the CAM Locks tightly.

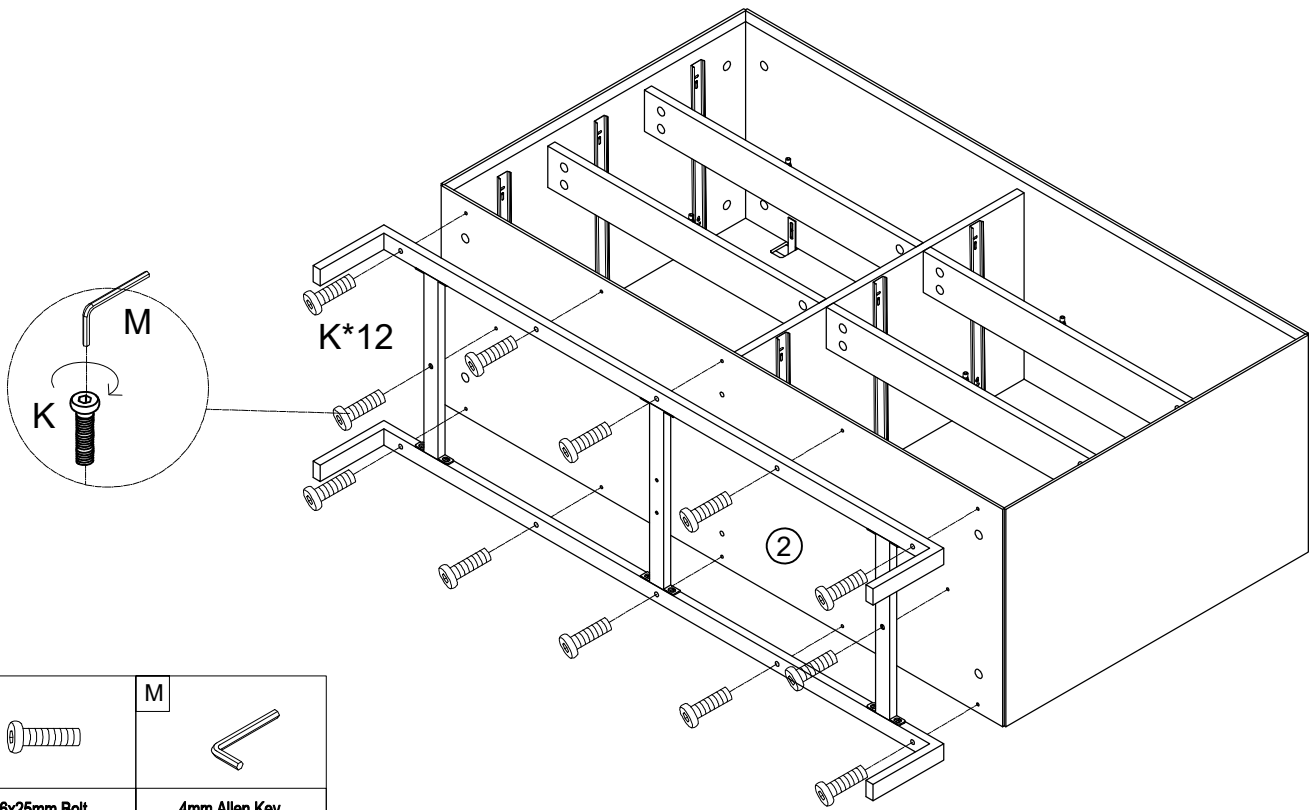


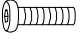
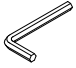
10. Attach the Legs to the Leg Supports.



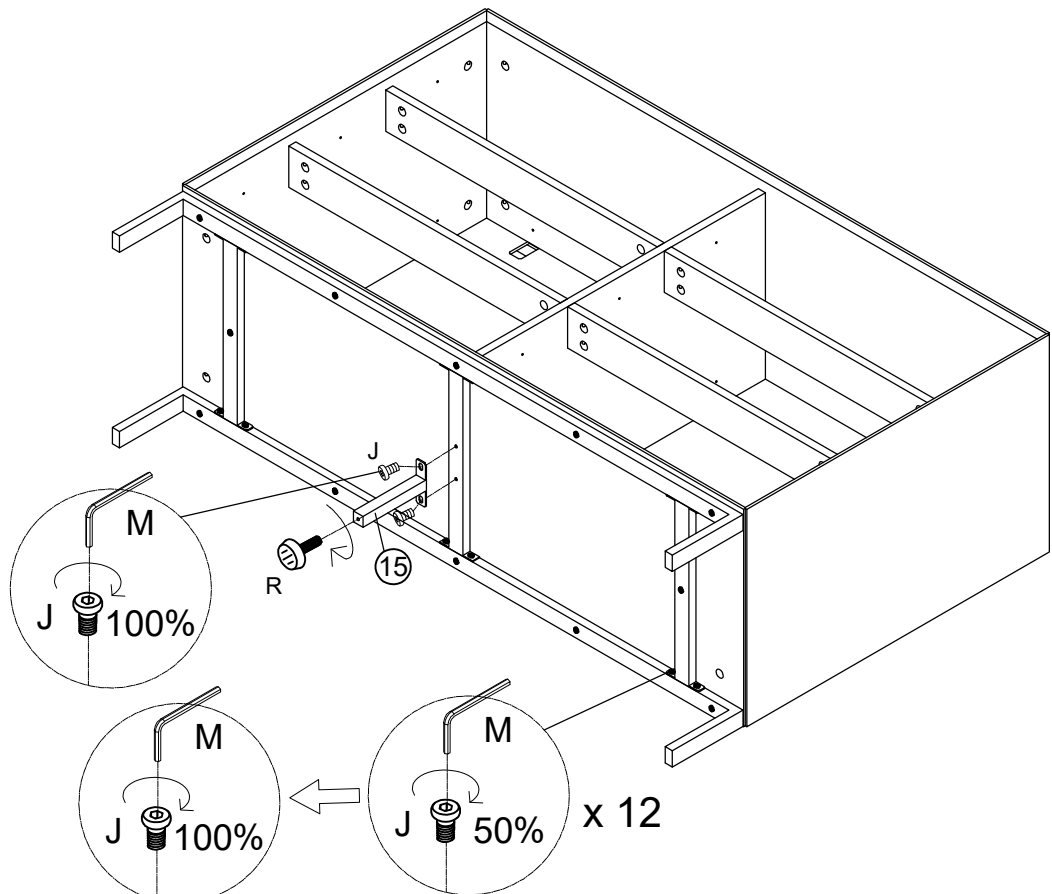
J	M
	
M6x12mm Bolt	4mm Allen Key
12pcs	1pc




11. Attach the Legs to the Frame.



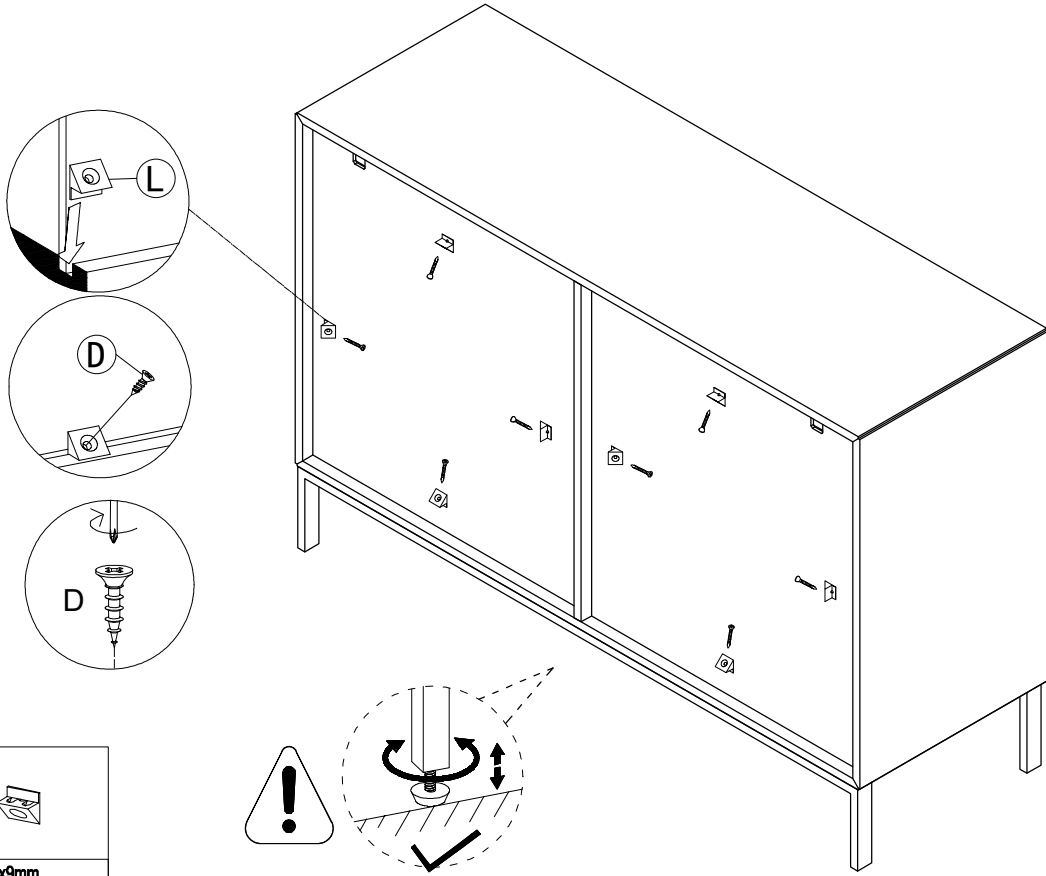
K	M
	
M6x25mm Bolt	4mm Allen Key
12pcs	1pc

12. Attach the Centre Leg to the frame and Lock the Bolts tightly.



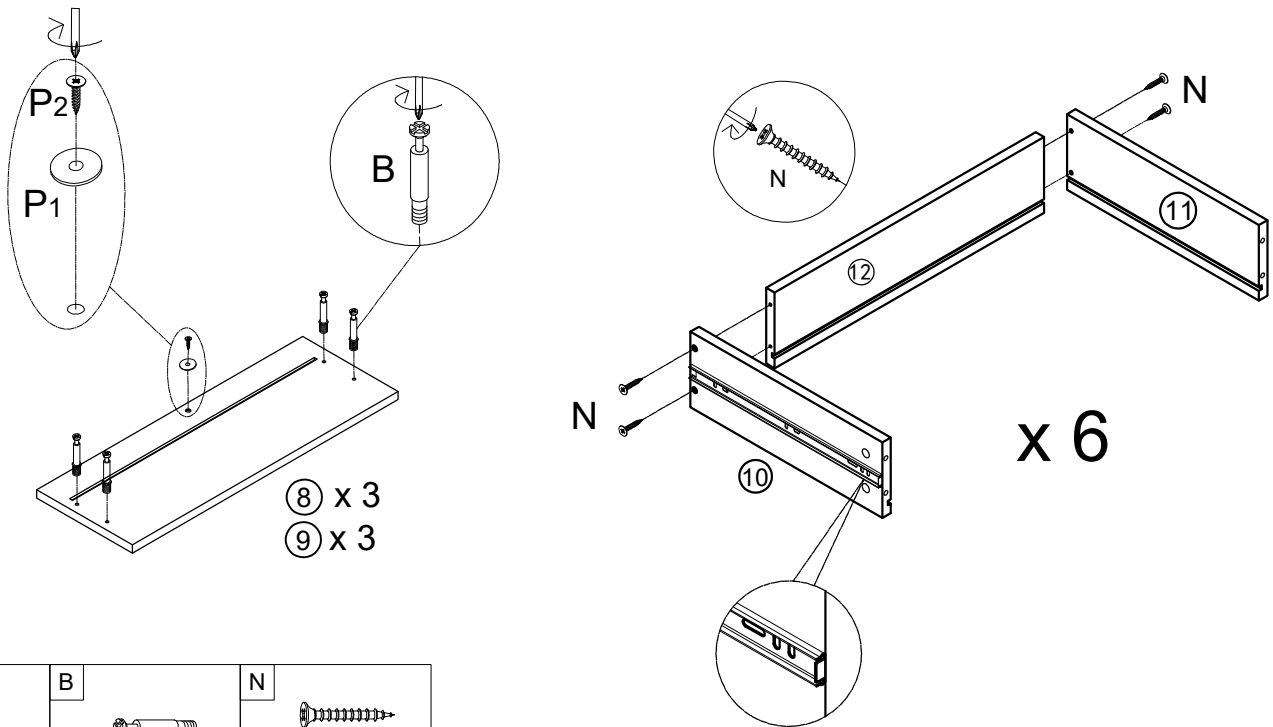
R	
	M6 Adjustable Foot
	1pc
M	
	4mm Allen Key
	1pc
J	
	M6x12mm Bolt
	2pcs

13. Attach the Plastic Buckles.



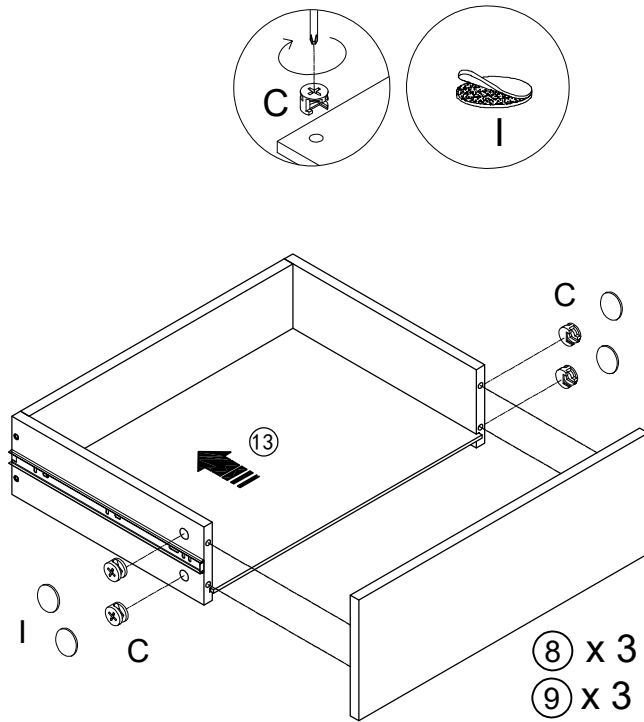
D	L
M3.5x14mm Screw	15x9mm Plastic Buckle
8pcs	8pcs



14. Assemble the Drawers.



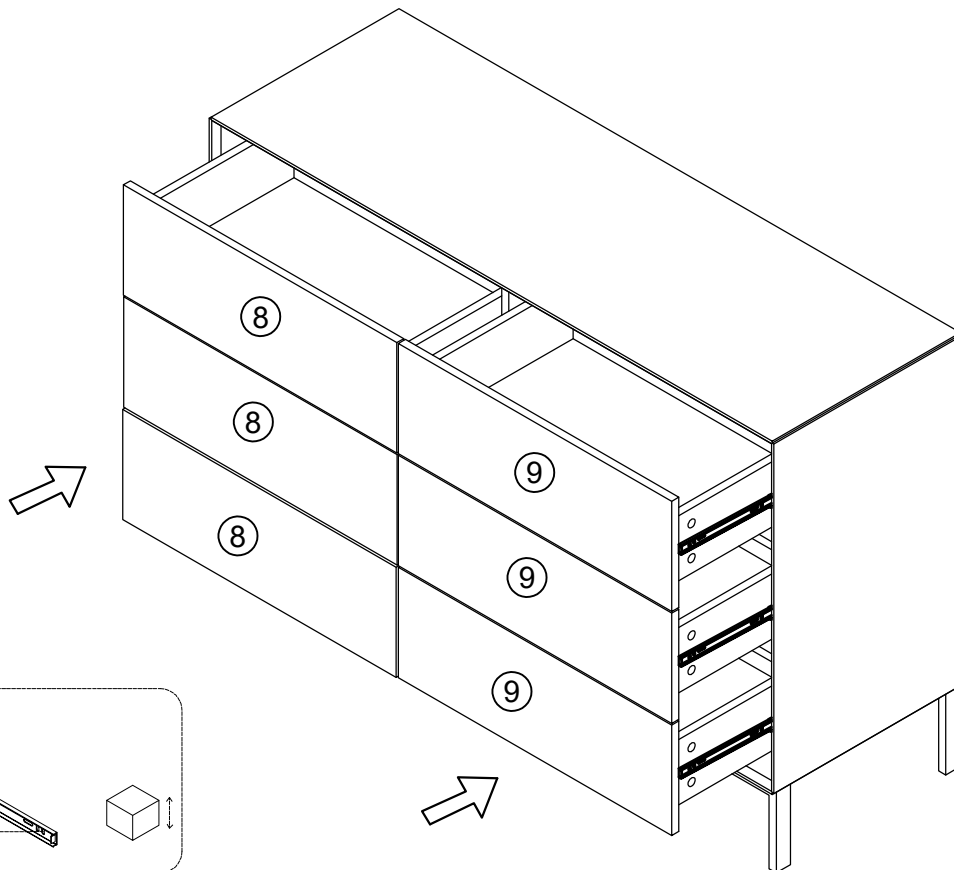
P	B	N
Ø16mm Screw and Washer	M6x44 CAM Lock Screw	M3.5x35mm Screw
6pcs	24pcs	24pcs

15. Slide in the Drawer Base, and attach the Drawer Front by locking the CAM Locks tightly.

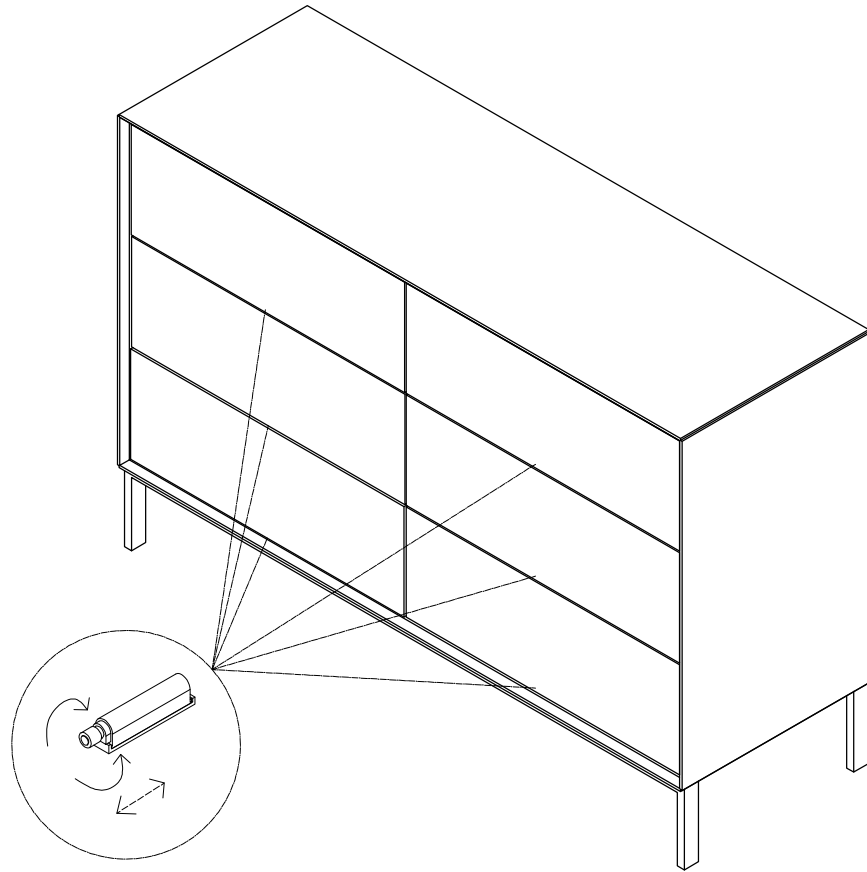


C	I
	
Φ15x11mm CAM Lock 24pcs	Φ20mm Cover 24pcs

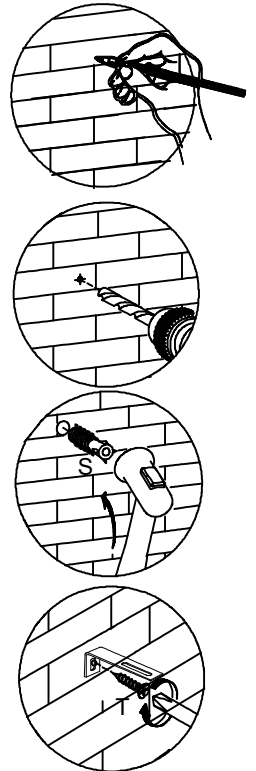
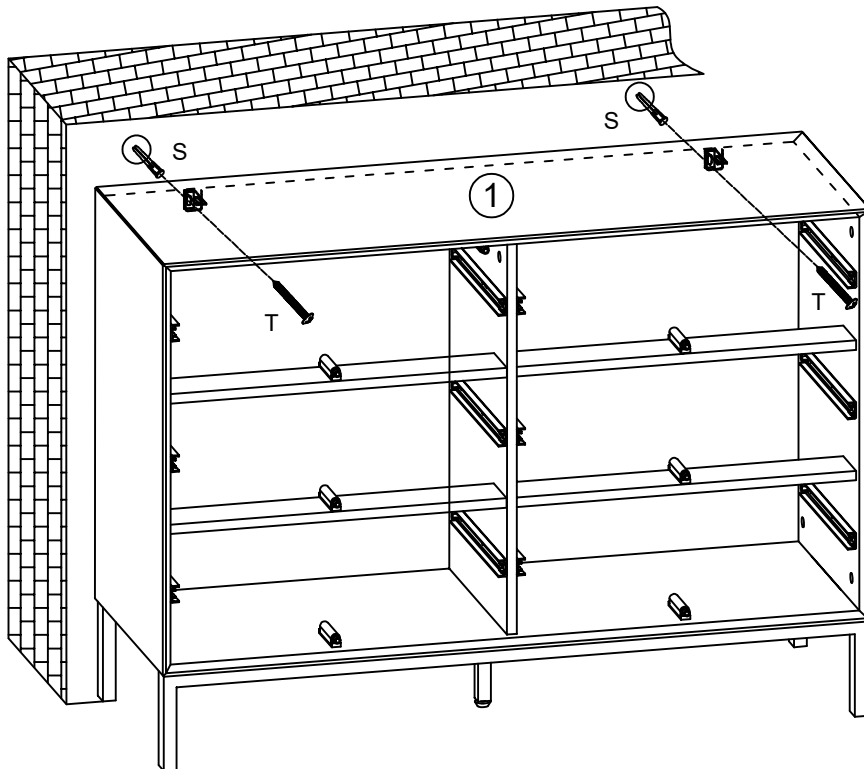
16. Assemble the drawers in the Chest.

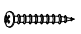



17. Adjust the pushers to appropriate position.



18. Fix the L-Shaped Bracket to the wall.



T	
	M4x40mm Screw 2pcs
S	
	Ø8mm Expansion Tube 2pcs