

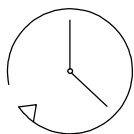
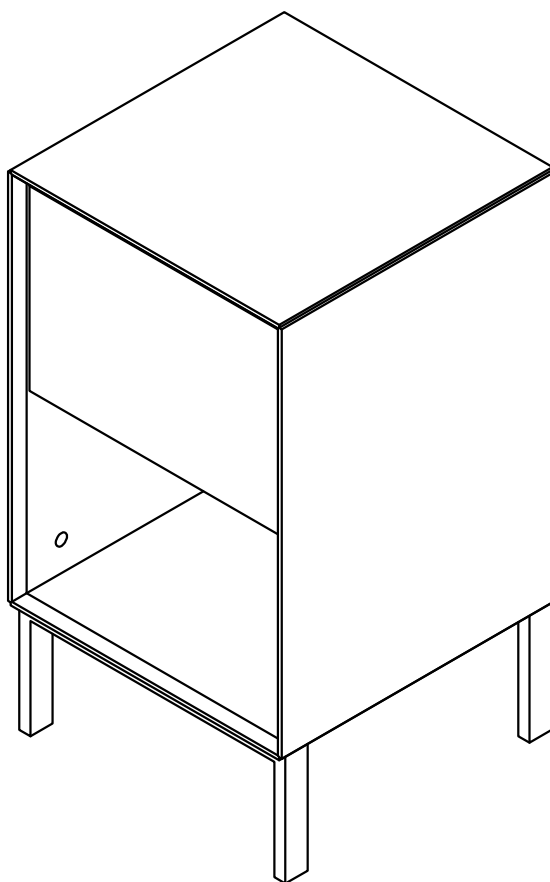
DUSK.COM

LIVING | BEDROOM | DINING

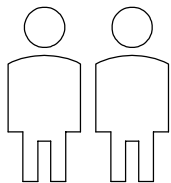
Range Name:NOVA

Box1 dimensions:L65xW49xH19(cm)

Nova bedside



Up to 30 minutes
assembly time



Two person
assembly

This product is intended for domestic use only, not commercial purposes.

IMPORTANT

ASSEMBLY TIP

Before you begin, it's best to identify all of the parts and fittings to build your bedside frame. We advise laying these out on the clean and flat floor to check you have everything, and to familiarise yourself with all of the parts and fittings before building.

TOP TIP

We recommend that you assemble the bedside in the room you'd like it to be located. This will help prevent any risk of damage to the frame whilst moving it.

SAFETY AND CARE

1. Do not stand on your product. Pregnant women should take additional care when using this product. Do not leave the child unattended. Children should always be under direct adult supervision whilst using this product. Always use on firm level ground, ensuring all legs remain in contact with the ground.
2. It's important to ensure children and animals are kept away from the assembly area, as there are small components used in this product which could present a choking hazard. All plastic and wrapping materials should also be kept away from children and animals to prevent any risk of suffocation.

HELP AND SUPPORT

Please contact our customer service team on 0113 519 0311 if you have any questions or issues with your purchase.

RECYCLING

Please ensure that packaging is disposed of in a safe and environmentally friendly way, and recycle where possible. Please keep your assembly instructions safe to refer back to in the future.

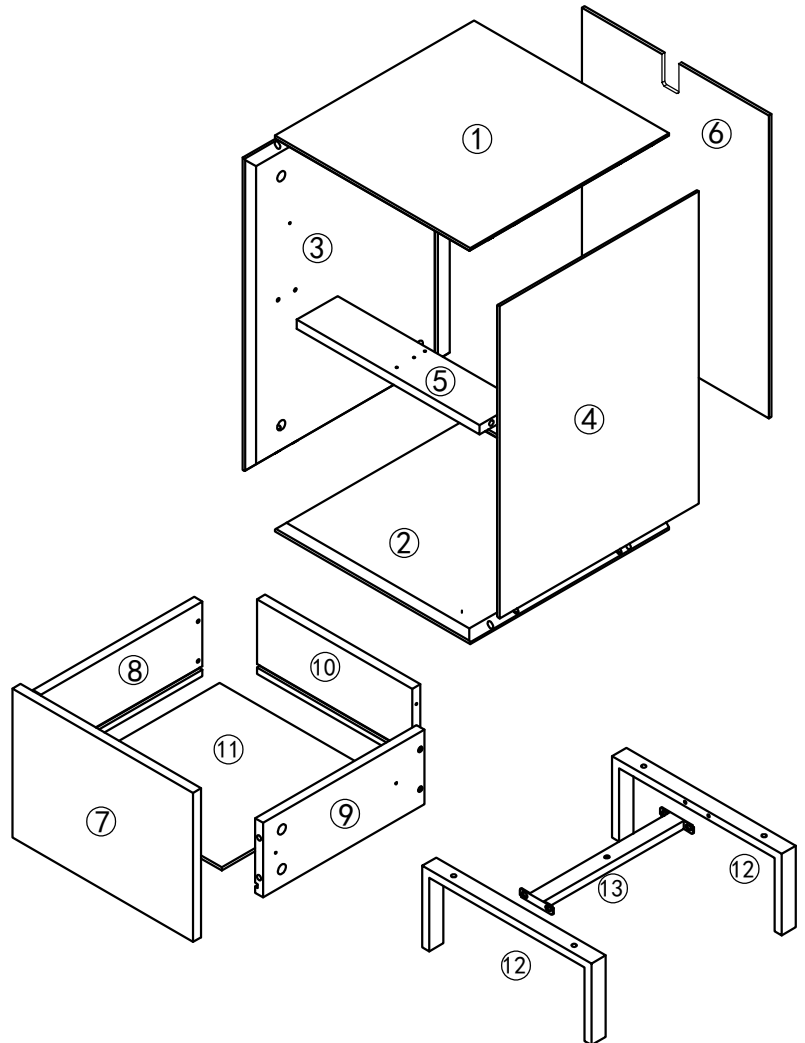
CARE AND MAINTENANCE:

1. Only use clean , colourless sponge or cloth to avoid any colour transfer or smearing , do not use bleach or abrasive cleaners as they may damage the bedside top over time.
2. Do not use a very wet cloth or allow any liquid to contact with the bedside for a long period of time. Wipe any spillage immediately.
3. Do not scrub or rub the surface when cleaning.
4. Do not drag the bedside when moving , lift it off the floor instead.
5. Use a placemat or a coaster when putting hot items (e . g . hot drinks and dishes) on the bedside surface.
6. It is not recommended to place the item next to sources of heat such as radiators, fires or directly exposed to sunlight.
7. Regularly check all fixings to ensure none have come loose. Re - tighten if necessary.
8. Avoid sharp items such as a screwdriver or any pointy tools.
9. Dispose of all packaging carefully and responsibly - recycle where possible.
10. Due to the delicate nature of this product, please gently place hard items onto the bedside top to avoid damaging the surface.

Parts List

Before you begin building your Nova bedside, please take a moment to read through the instructions and make sure that you have all the relevant parts listed on the parts check list.

Part Number	Part Description	Quantity
①	Bedside top	1 pc
②	Bottom panel	1 pc
③	Left side panel	1 pc
④	Right side panel	1 pc
⑤	Centre Support	1 pc
⑥	Back panel	1 pc
⑦	Drawer front	1 pc
⑧	Drawer left panel	1 pc
⑨	Drawer right panel	1 pc
⑩	Drawer back panel	1 pc
⑪	Drawer base	1 pc
⑫	Legs	2 pcs
⑬	Legs Support	1 pc

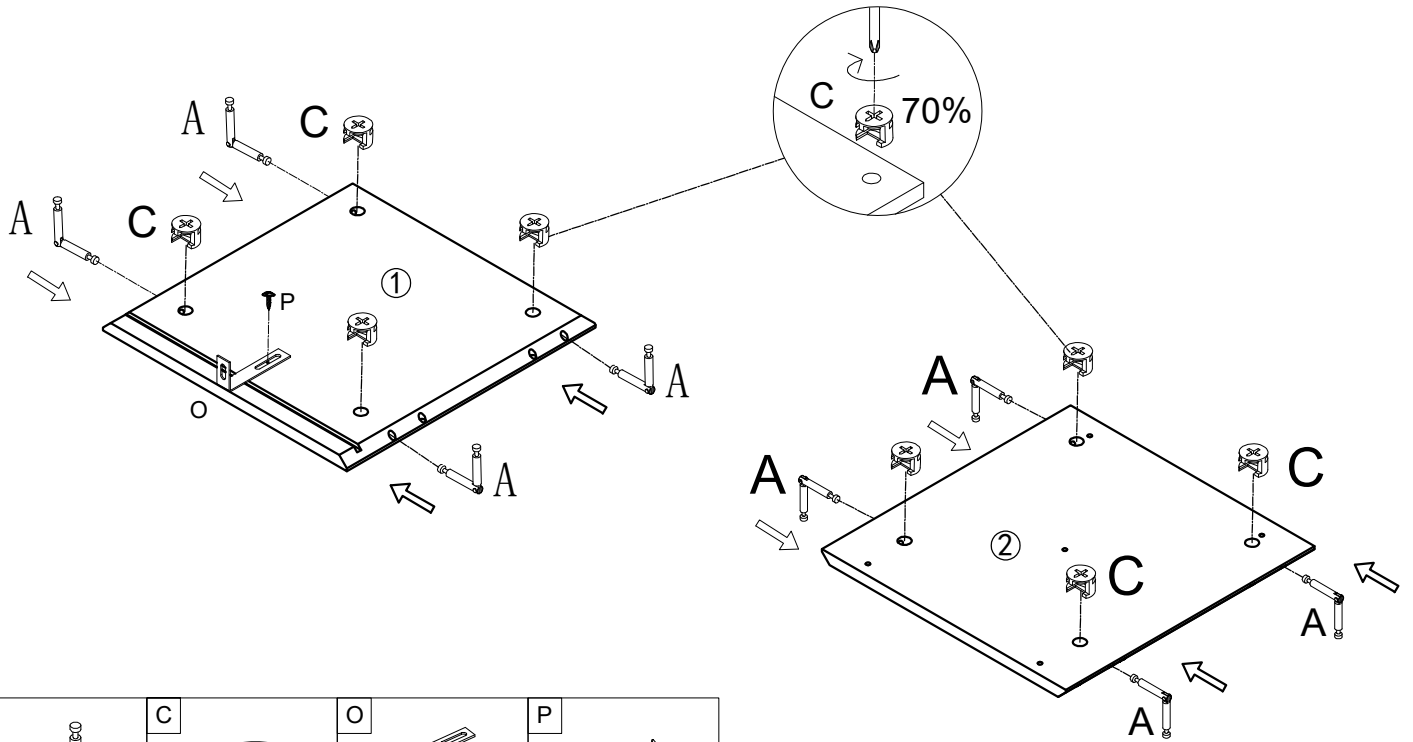


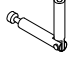

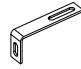

Fittings

Please check you have all the fittings listed below with your product

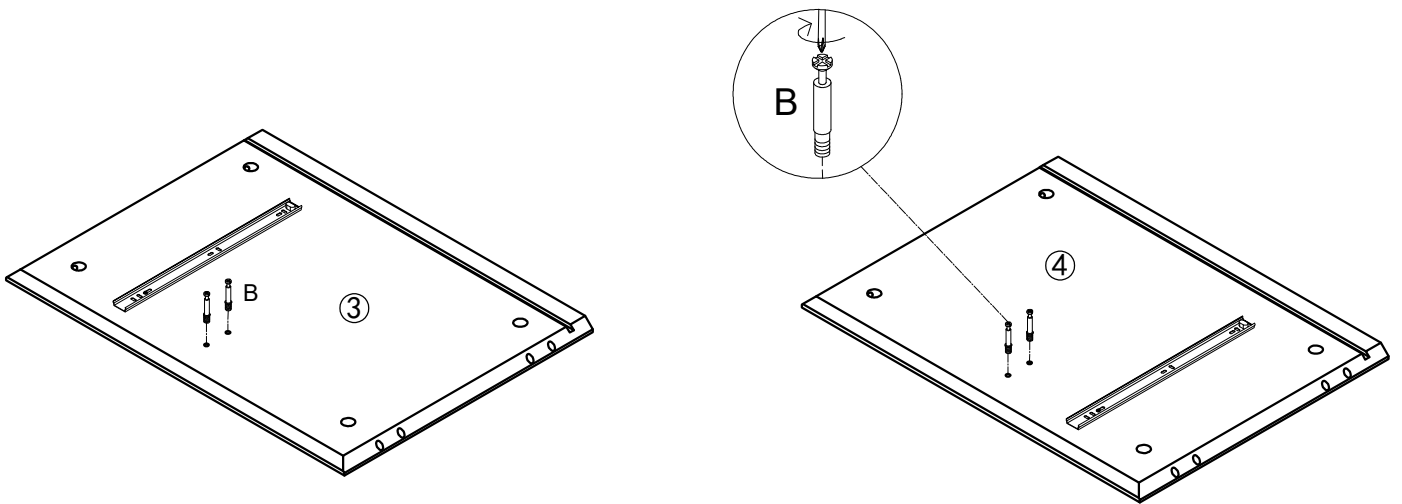
A		B		C		D		E		F		G		H	
	M6x84 CAM Lock Screw 8pcs+1pc extra		M6x44 CAM Lock Screw 8pcs+1pc extra		Φ15x11mm CAM Lock 24pcs +2pcs extra		M3.5x14mm Screw 7pcs+1pc extra		Φ6x25mm Wooden Dowel 8pcs +1pc extra		83x14x19mm Pusher 1pc		Ø16mm Screw and Washer 1pc		Φ8mm Expansion Tube 1pc
I		J		K		L		M		N		O		P	
	Φ20mm Cover 8pcs+1pc extra		M6x12mm Bolt 4pcs		M6x25mm Bolt 5pcs		15x9mm Plastic Buckle 4pcs		4mm Allen Key 1pc		M3.5x35mm Screw 4pcs		76x23mm L-shaped Bracket 1pc		M4x12mm Screw 1pc
Q															
	M4x40mm Screw 1pc														

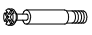
1. Attach parts to the Top and Bottom Panel.



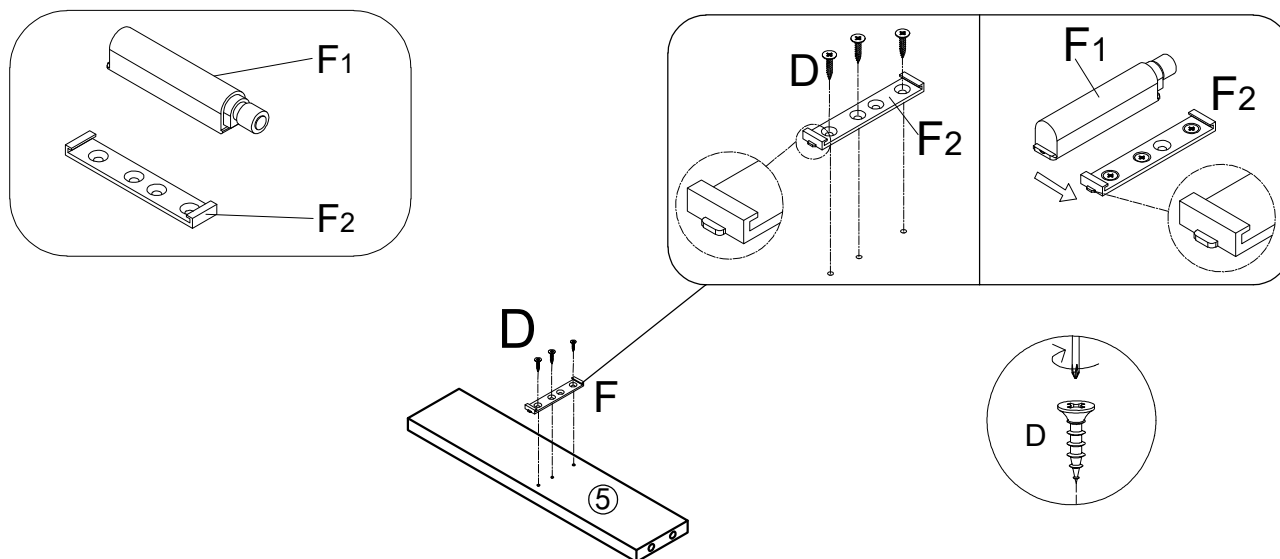
A	C	O	P
 M6x84 CAM Lock Screw 8pcs	 Φ15x11mm CAM Lock 8pcs	 76x23mm L-shaped Bracket 1pc	 M4x12mm Screw 1pc

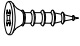
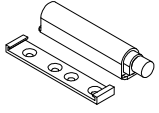
2. Attach parts to the side panels.



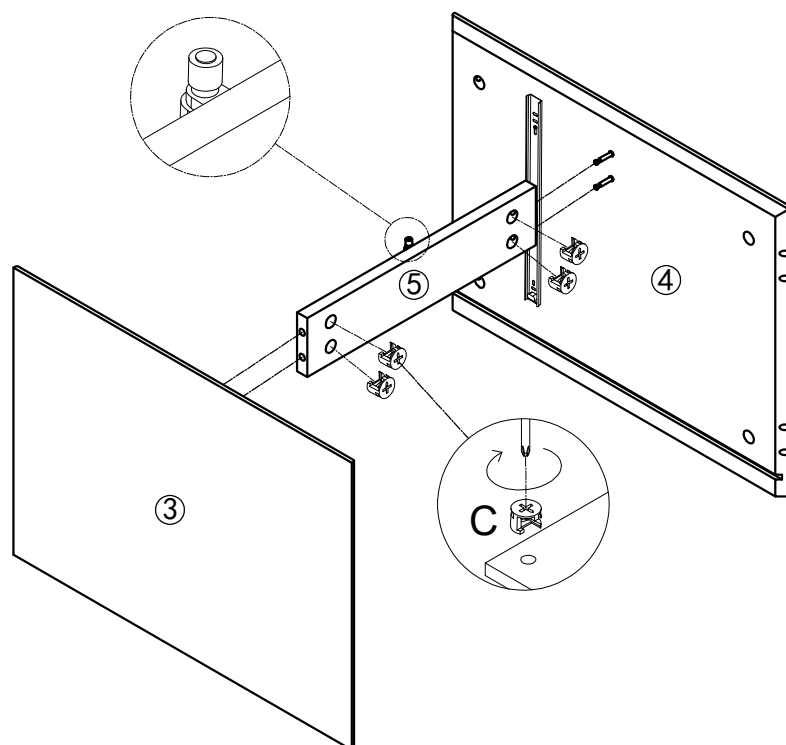
B
 M6x44 CAM Lock Screw 4pcs


3. Attach parts to the Centre Support.



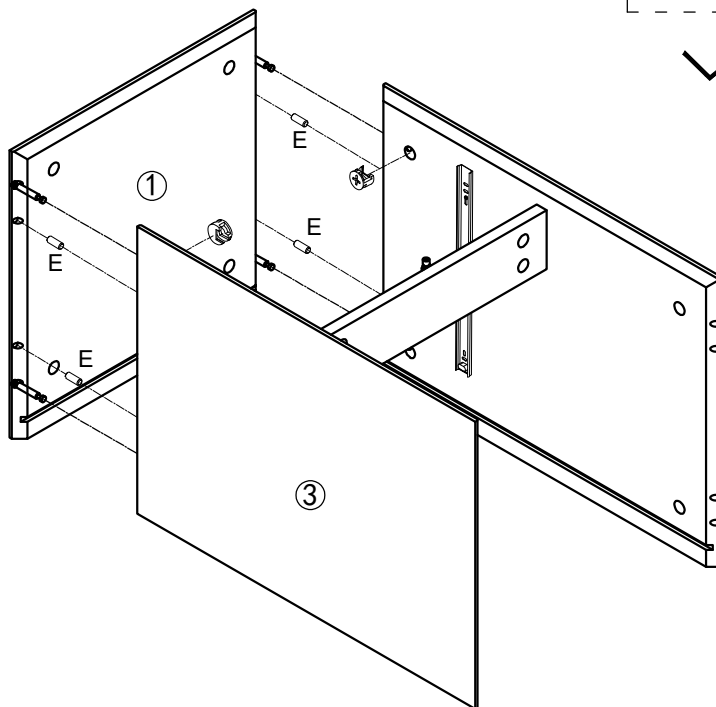
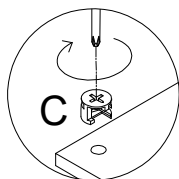
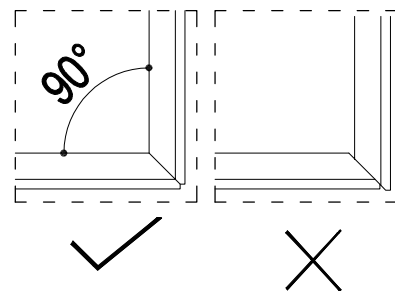
D 	F 
M3.5x14mm Screw	83x14x19mm Pusher
3pcs	1pc


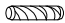
4. Attach the Side Panels to the Centre Support.



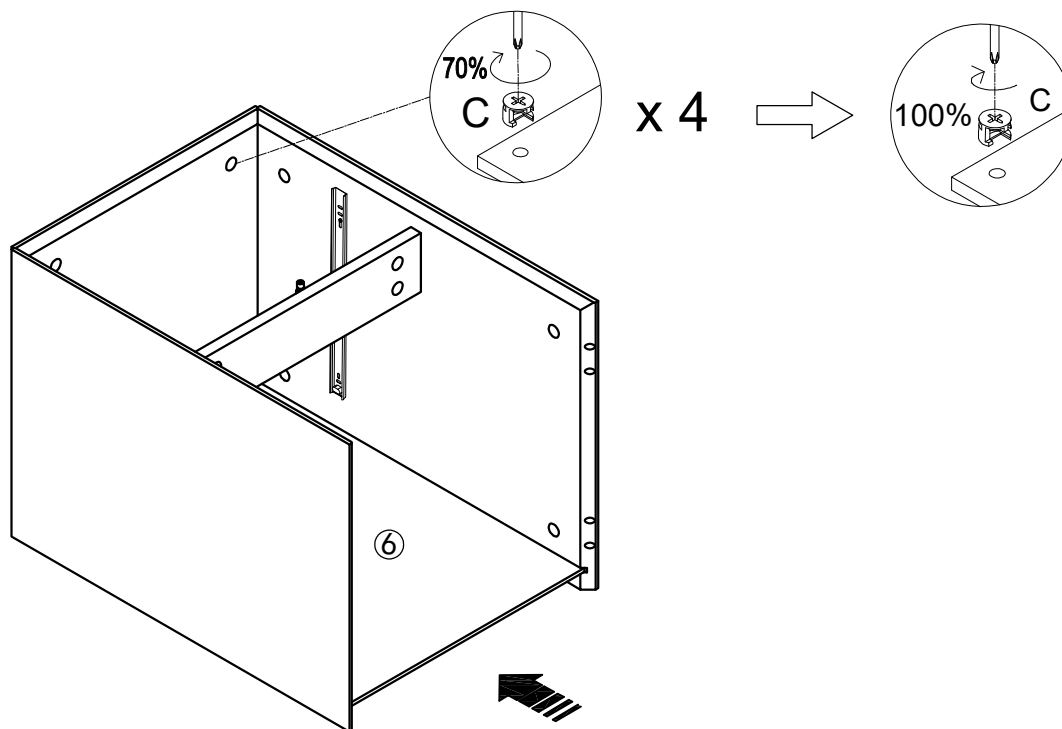
C 
Φ15x11mm CAM Lock 4pcs

5. Attach the Bedside Top to the Frame.

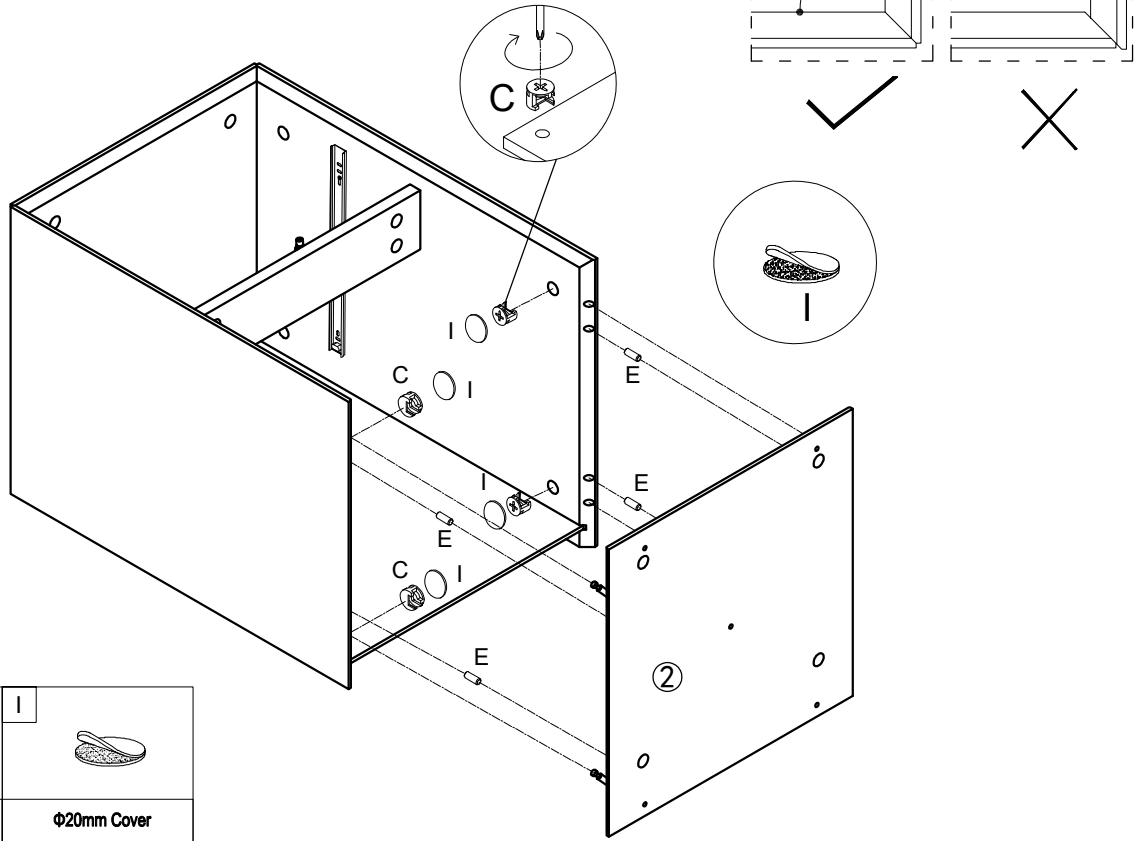





C	E
	
Φ15x11mm CAM Lock 4pcs	Φ6x25mm Wooden Dowel 4pcs

6. Lock the CAM Locks tightly, slide the Back Panel into the Frame.

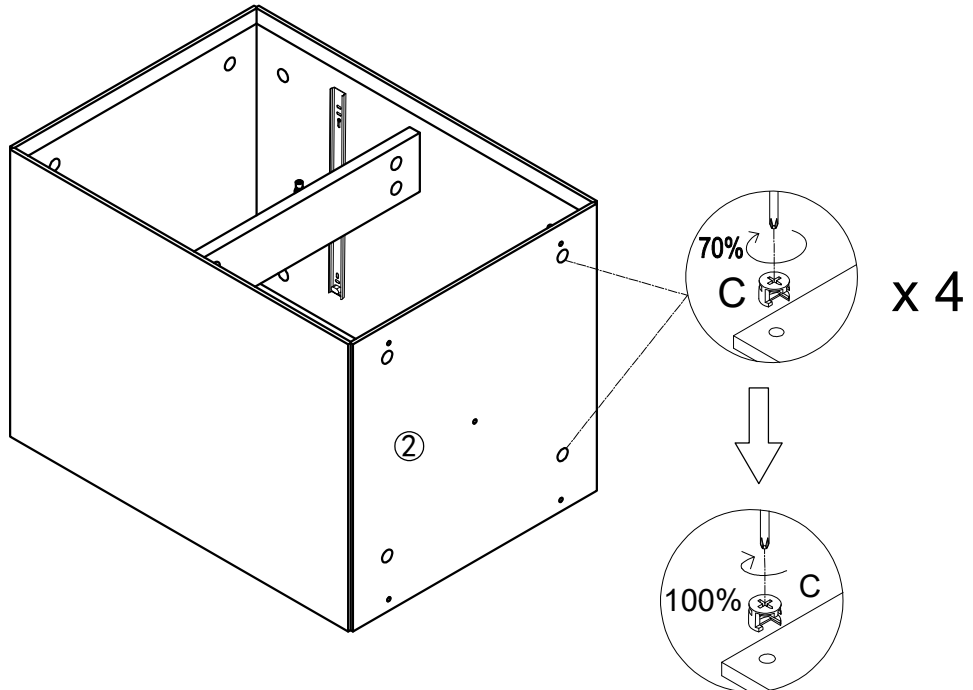


7. Attach the Bottom Panel to the Frame.

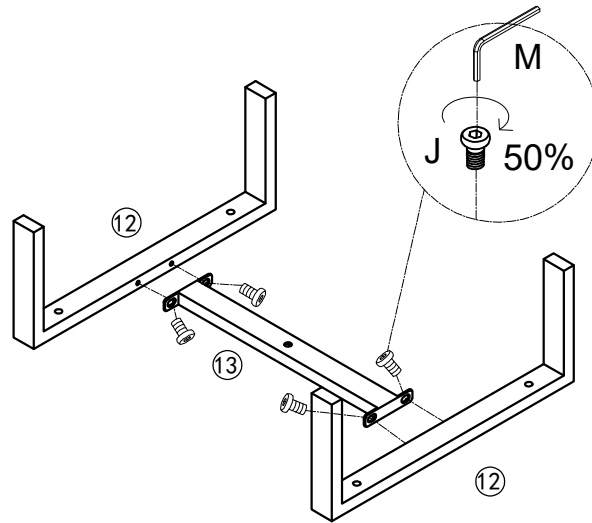


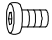
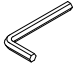
C	E	I
		
Φ15x11mm CAM Lock	Φ6x25mm Wooden Dowel	Φ20mm Cover
4pcs	4pcs	4pcs

8. Lock the CAM Locks tightly.

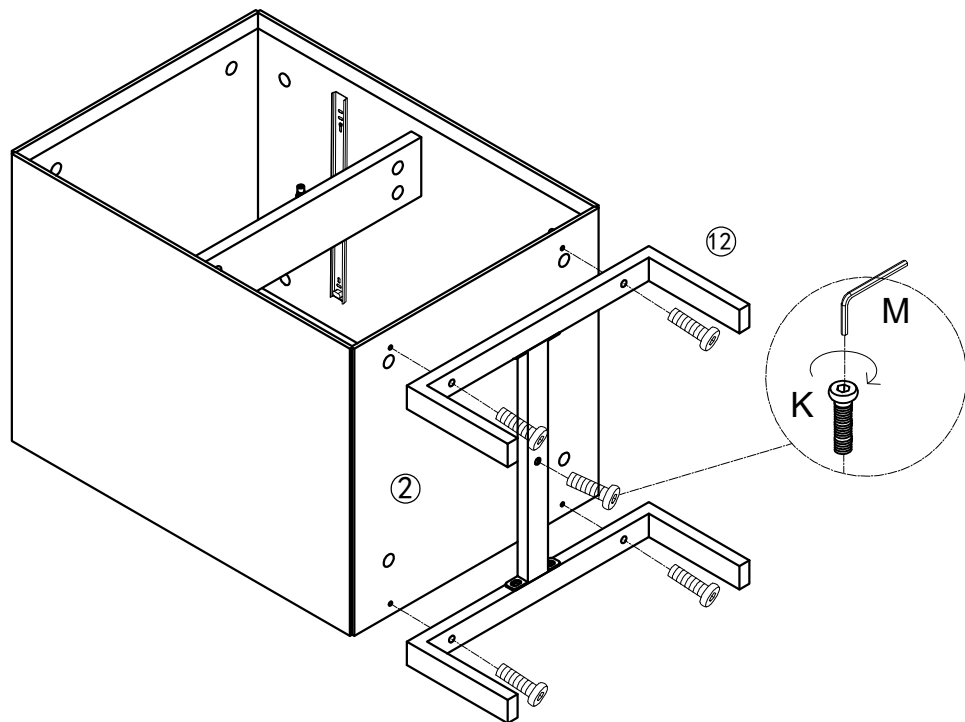


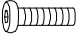

9. Attach the Legs to the Leg Support.



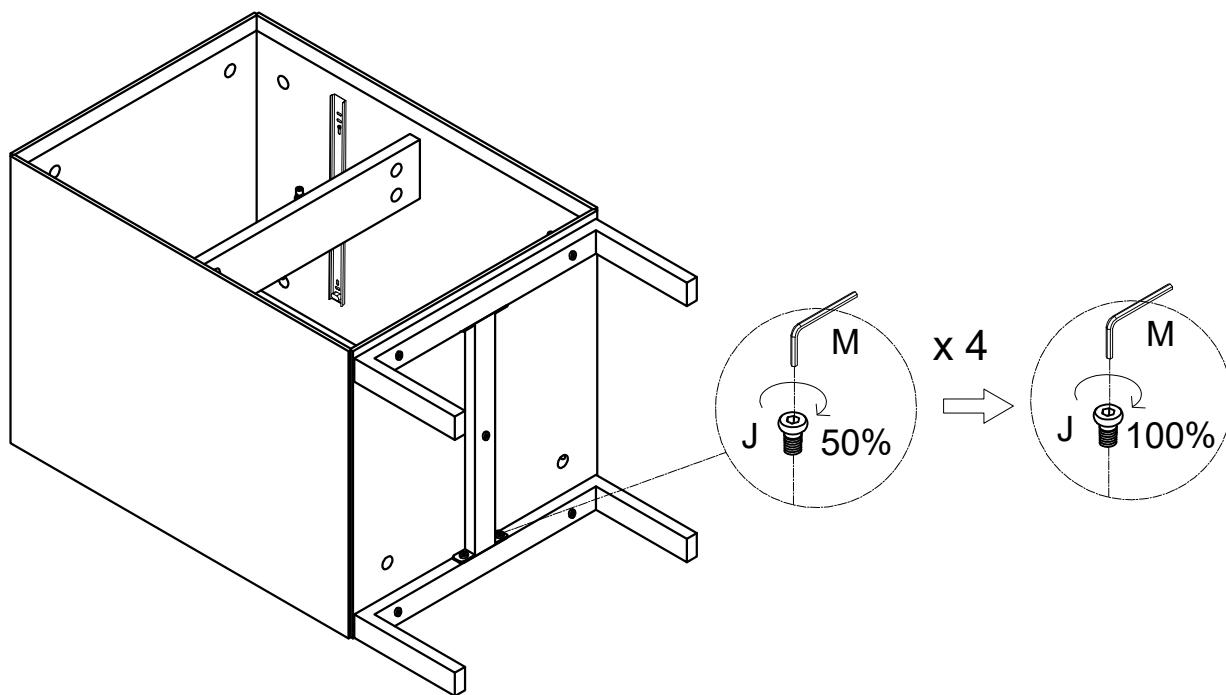
J	M
	
M6x12mm Bolt	4mm Allen Key
4pcs	1pc

10. Attach the Legs to the Frame.

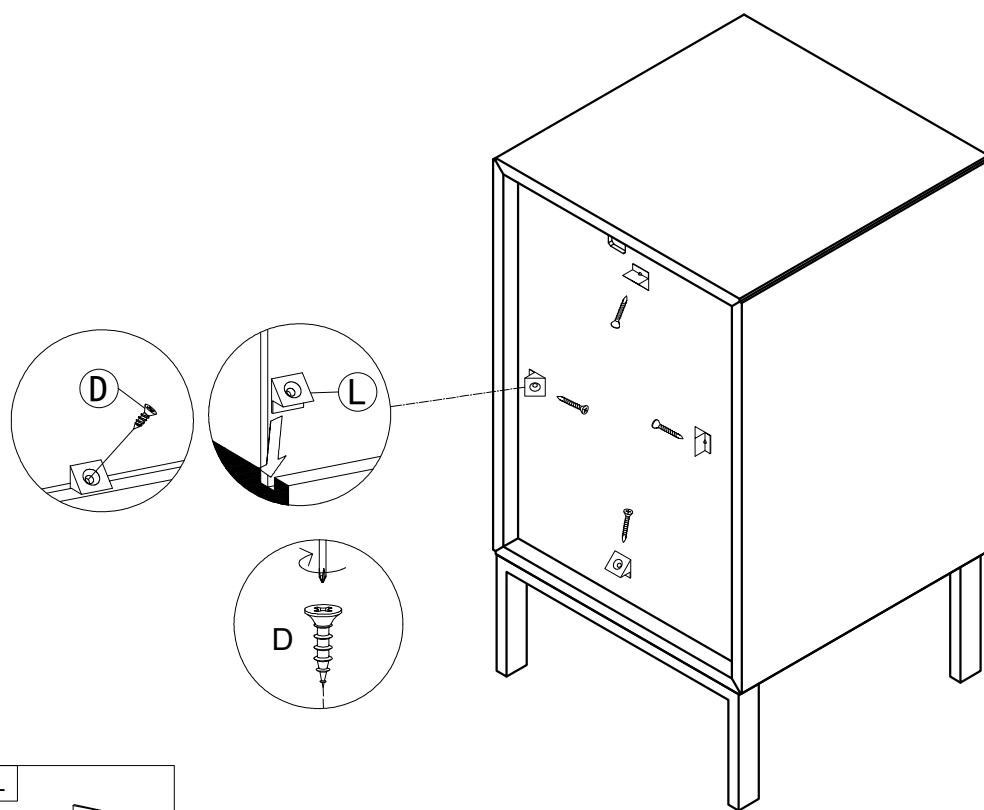




K	M
	
M6x25mm Bolt	4mm Allen Key
5pcs	1pc

11. Lock the Bolts tightly.

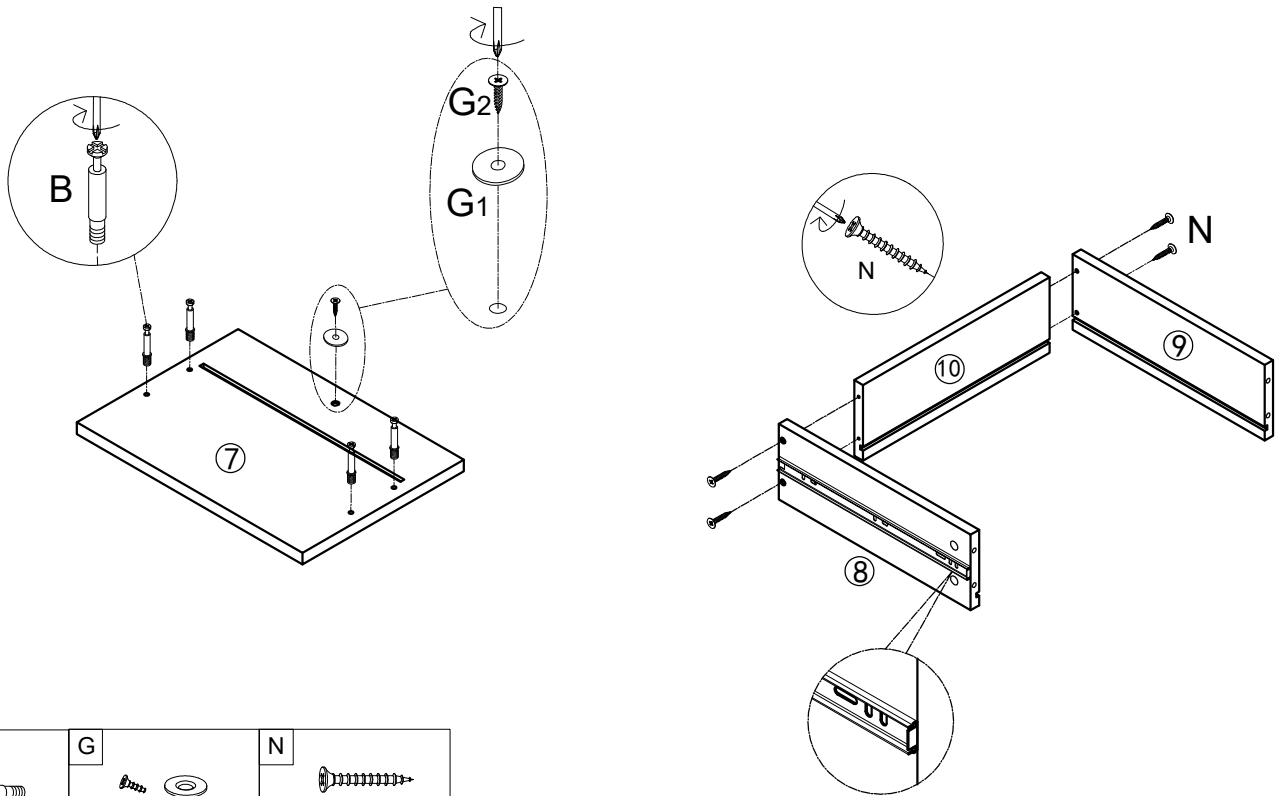


12. Attach the Plastic Buckles.



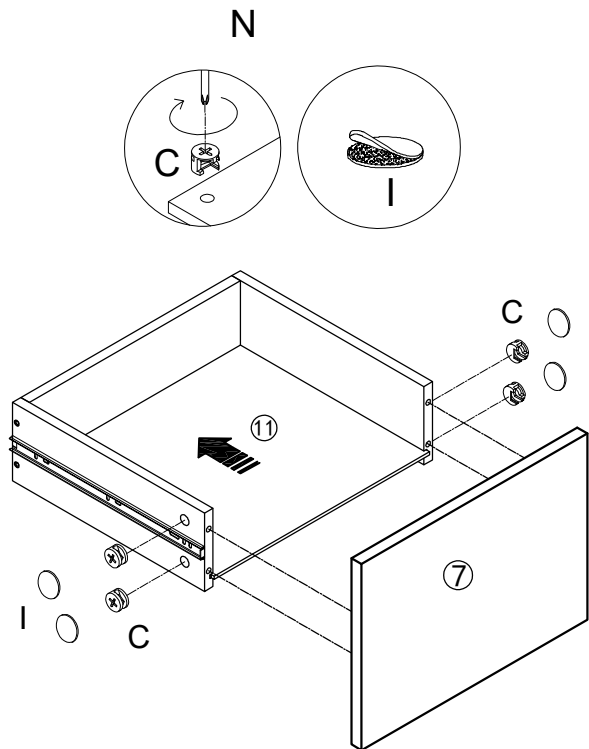
D	L
	
M3.5x14mm Screw	15x9mm Plastic Buckle
4pcs	4pcs

13. Assemble the drawer.



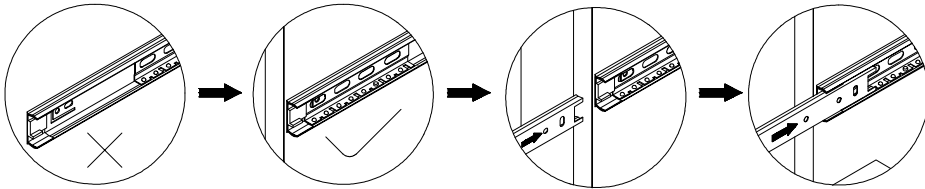
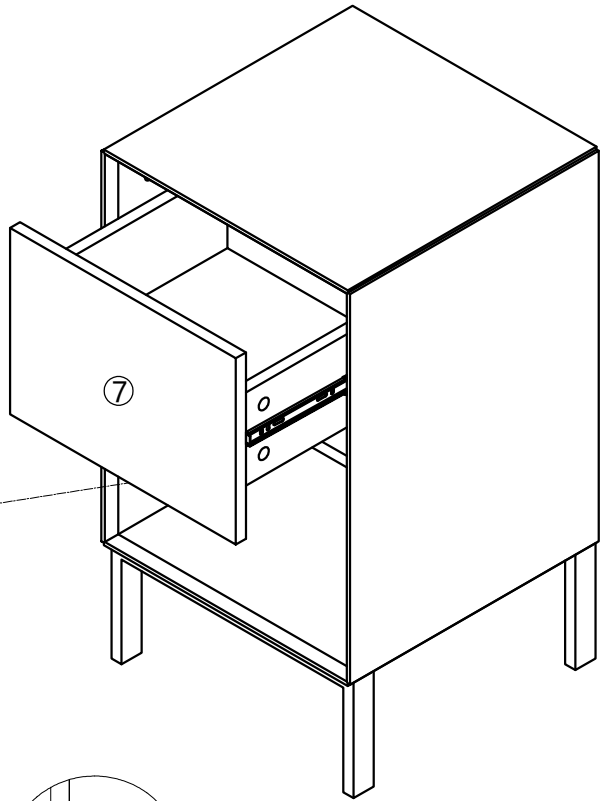
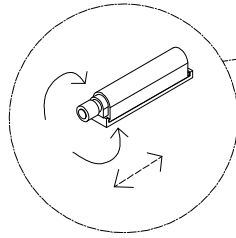
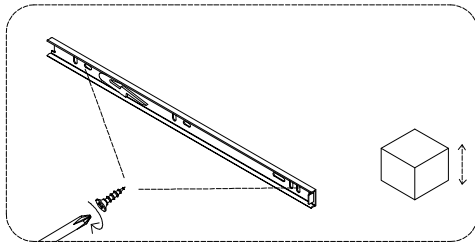
B	G	N
M6x44 CAM Lock Screw 4pcs	Ø16mm Screw and Washer 1pc	M3.5x35mm Screw 4pcs

14. Slide in the Drawer Base, and attach the Drawer Front by locking the CAM Locks tightly.

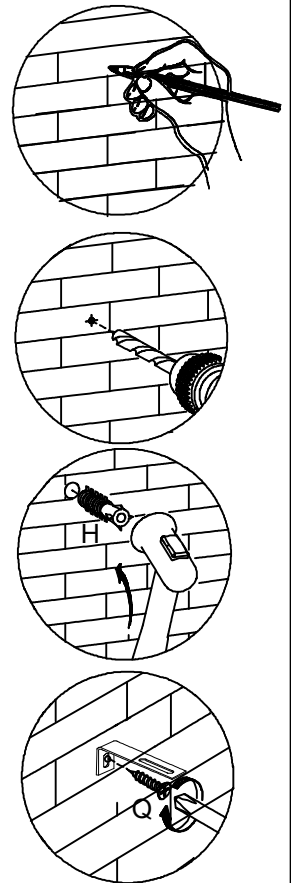
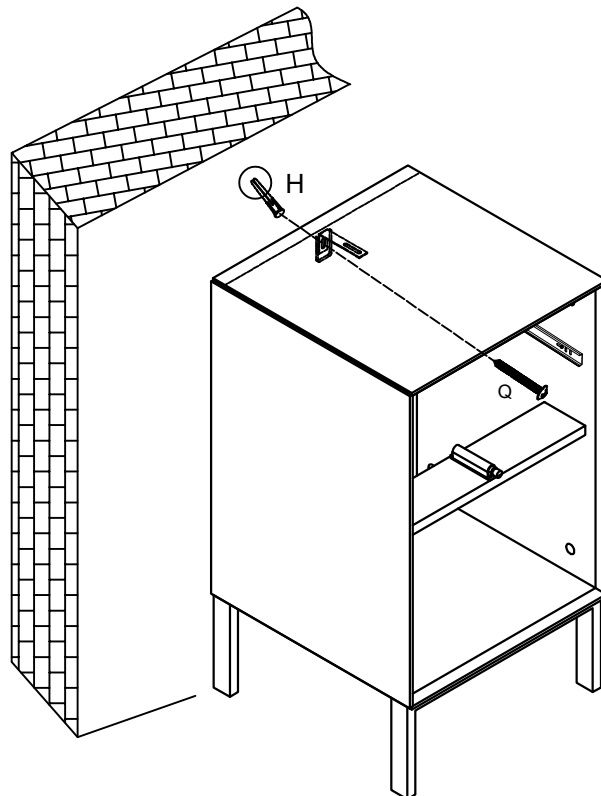


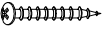

C	I
Ø15x11mm CAM Lock 4pcs	Ø20mm Cover 4pcs

15. Assemble the drawer in the Bedside.



16. Fix the L-Shaped Bracket to the wall.



Q	H
	
M4x40mm Screw	Φ8mm Expansion Tube
1pc	1pc