

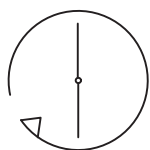
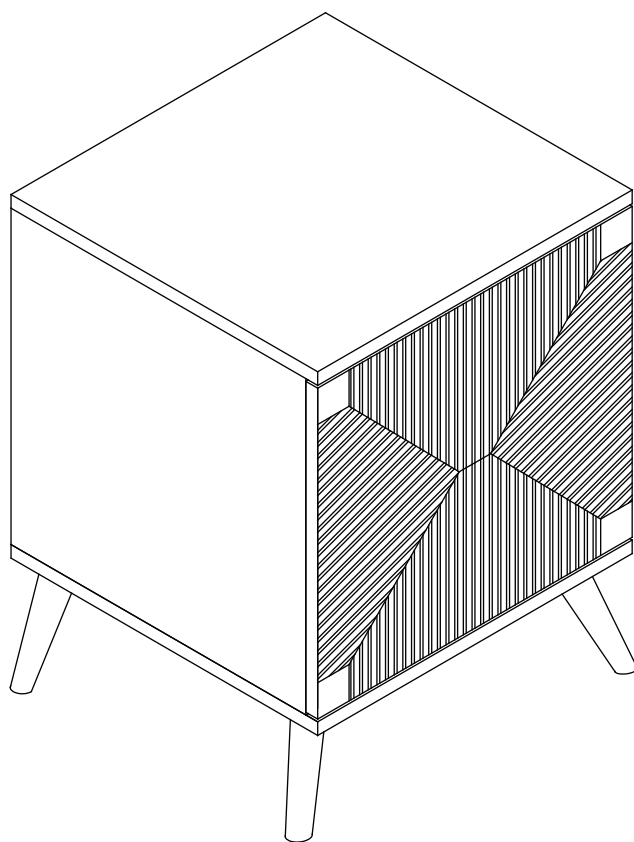
DUSK.COM
LIVING | BEDROOM | DINING

Range Name : Lottie

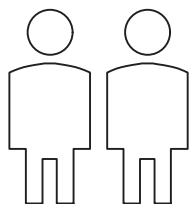
Box1 dimensions : W52xD49xH18cm

Product dimensions : W40xD39xH55cm

Lottie Bedside



Up to 60 minutes
assembly time



Two person
assembly



Electric screwdriver
prohibited

This product is intended for domestic use only, not for commercial purposes.

IMPORTANT

ASSEMBLY TIP

Before you begin, it's best to identify all of the parts and fittings to build your Lottie Bedside frame. We advise laying these out on the floor to check you have everything, and to familiarise yourself with all of the parts and fittings before building.

TOP TIP

We recommend that you assemble the Lottie Bedside in the room you'd like it to be located. This will help prevent any risk of damage to the frame whilst moving it.

SAFETY AND CARE

It's important to ensure children and animals are kept away from the assembly area, as there are small components used in this product which could present a choking hazard. All plastic and wrapping materials should also be kept away from children and animals to prevent any risk of suffocation.

HELP AND SUPPORT

Please contact our customer service team on 0113 519 0311 if you have any questions or issues with your purchase.

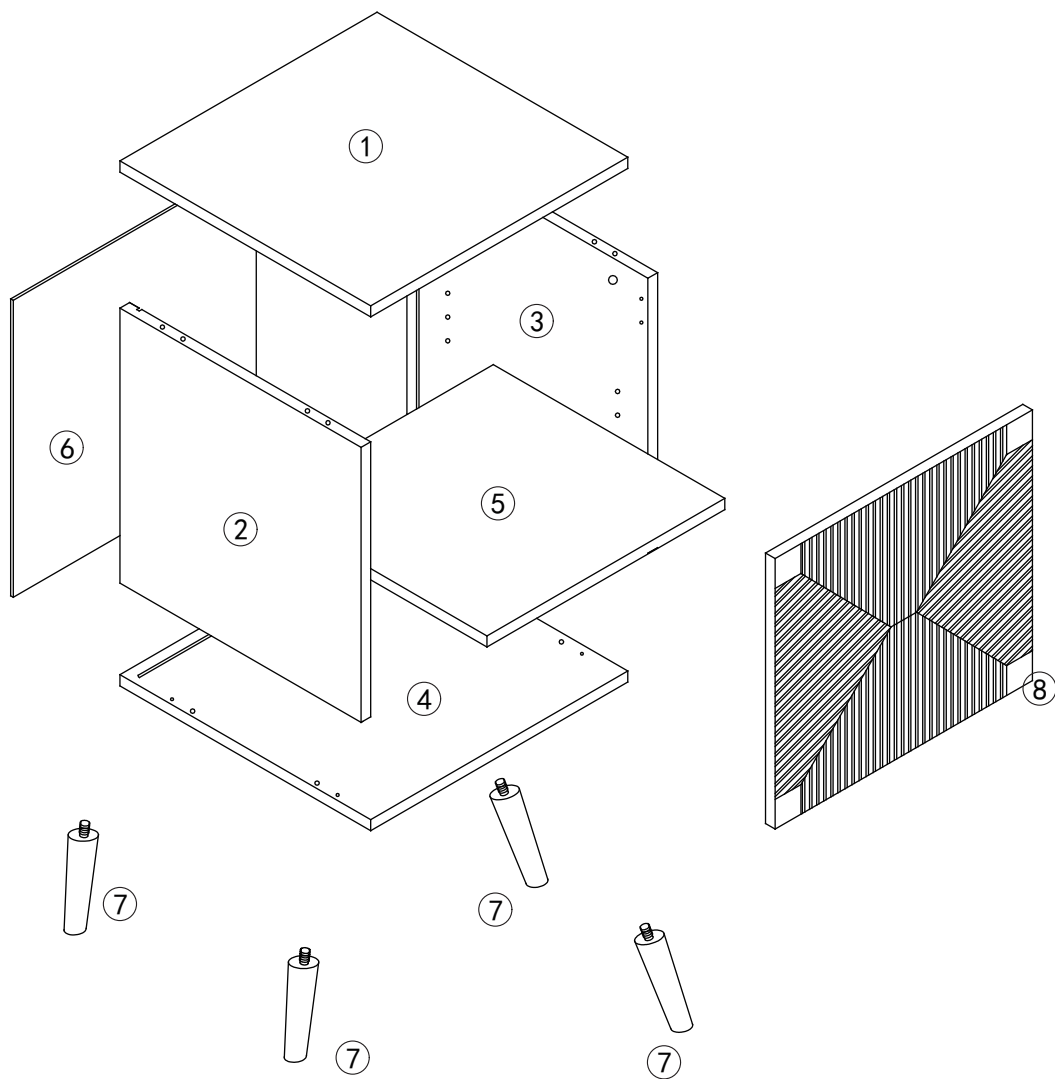
RECYCLING

Please ensure that packaging is disposed of in a safe and environmentally friendly way, and recycle where possible. Please keep your assembly instructions safe to refer back to in the future.

CARE AND MAINTENANCE:

1. Only clean using a damp cloth, do not use bleach or abrasive cleaners as they may damage the finish over time.
2. Do not use a very wet cloth or allow any liquid to contact with the veneer for a long period of time. Wipe any spillage immediately. Absorption can cause wood to warp or finishes to de-laminate.
3. Do not scrub or rub the surface when cleaning.
4. Do not drag the Lottie Bedside when moving, lift it off the floor instead.
5. Use a placemat or a coaster when putting hot items (e.g. hot drinks and dishes) on the wood surface.
6. It is not recommended to place the item next to sources of heat such as radiators, fires or directly exposed to sunlight. This may cause the wood to crack, split or fade due to the heat and humidity.
7. Wood will mellow and change colour over time, we recommend that ornaments and items placed on the surface to be moved regularly to prevent uneven mellowing.
8. Regularly check all fixings to ensure none have come loose. Re-tighten if necessary.
9. Avoid sharp items such as a screwdriver or any pointy tools.
10. Dispose of all packaging carefully and responsibly - recycle where possible.

Part List






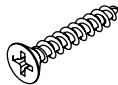

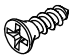




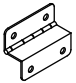

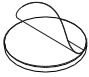
Part List

Before you begin building your Lottie Bedside, please take a moment to read through the instructions and make sure that you have all the relevant parts listed on the parts check list.

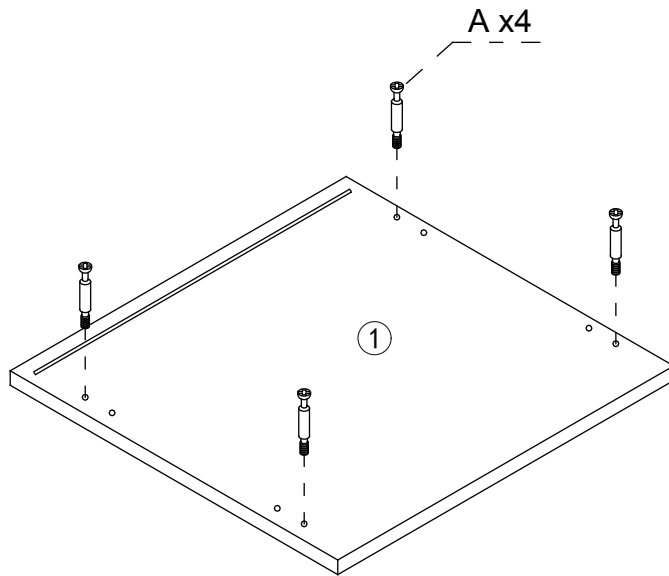
Part Number	Part Description	Quantity	Box NO	Part Number	Part Description	Quantity	Box NO
①	Top panel	1 pc	Box1	⑧	Door panel	1 pc	Box1
②	Left side panel	1 pc	Box1				
③	Right side panel	1 pc	Box1				
④	Bottom panel	1 pc	Box1				
⑤	Shelf	1 pc	Box1				
⑥	Back panel	1 pc	Box1				
⑦	Leg	4 pcs	Box1				

Fittings

Please check you have all the fittings listed below with your production Box1.

A  M6x35mm Bolt 4 pcs	B  M15x10mm Cam Lock 4 pcs	C  M8x30mm Dowel 8 pcs	D  M4x35mm Screw 4 pcs	E  Magnetic with screw 1 pc
F  M3x12mm Screw 10 pcs	G  Metal sheet 1 pc	H  Metal foot plate 4 pcs	I  M4x14mm Screw 20 pcs	J  Shelf support 4 pcs
K  Hinge 2 pcs	L  Back plate buckle 4 pcs	M  Foot pads 4 pcs		

1.



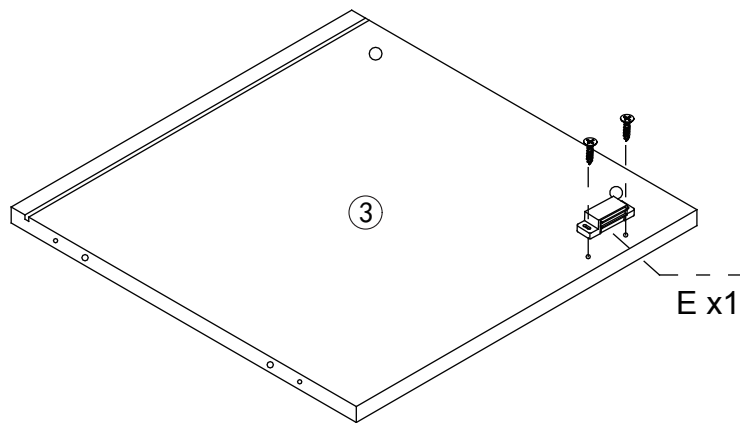
A



M6x35mm Bolt

4 pcs

2.



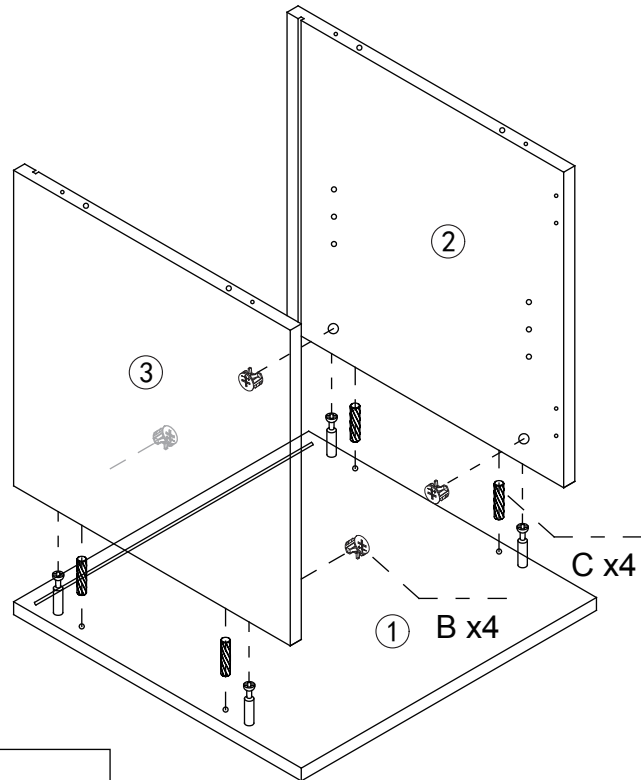
E





Magnetic with screw

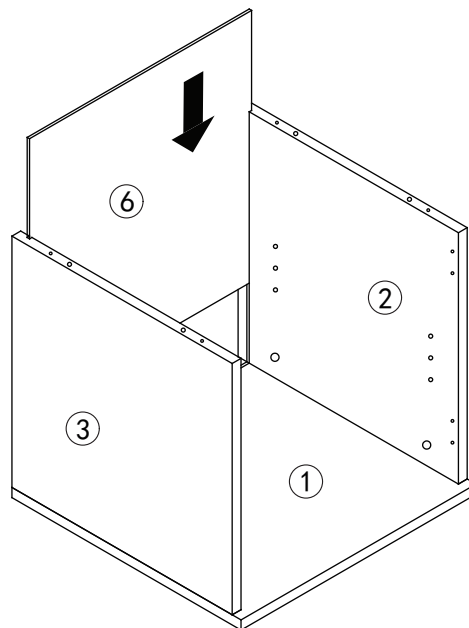
1 pc

3.

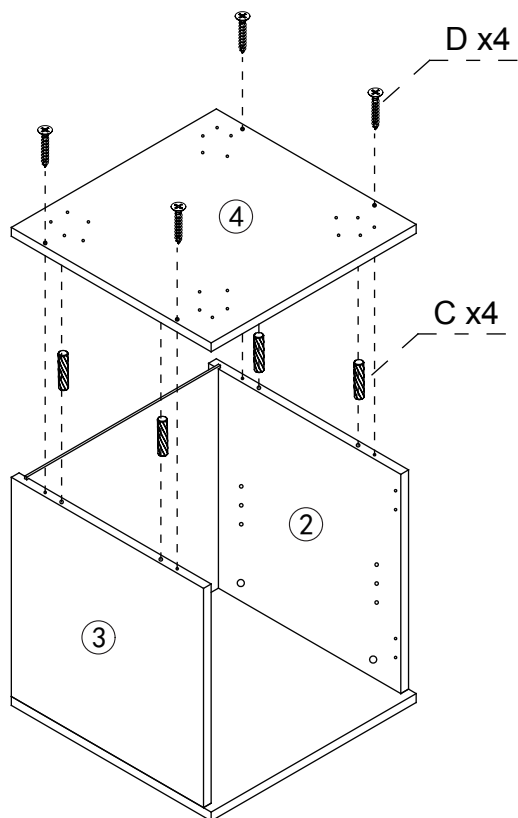




B	C
	
M15x10mm Cam Lock	M8x30mm Dowel
4 pcs	4 pcs

4.

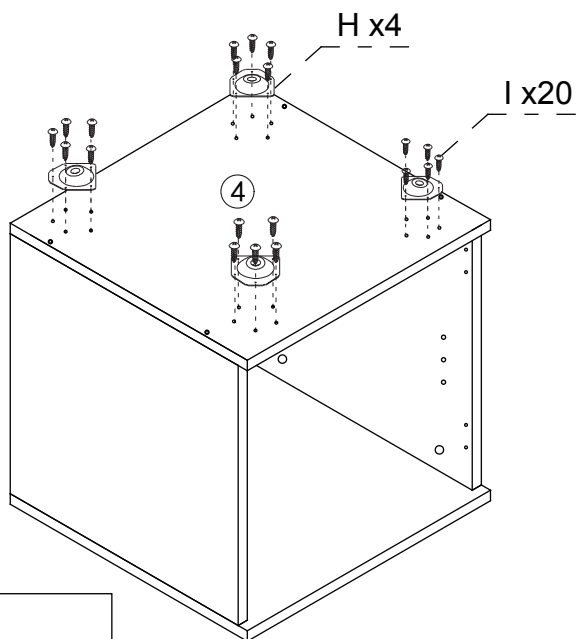




5.



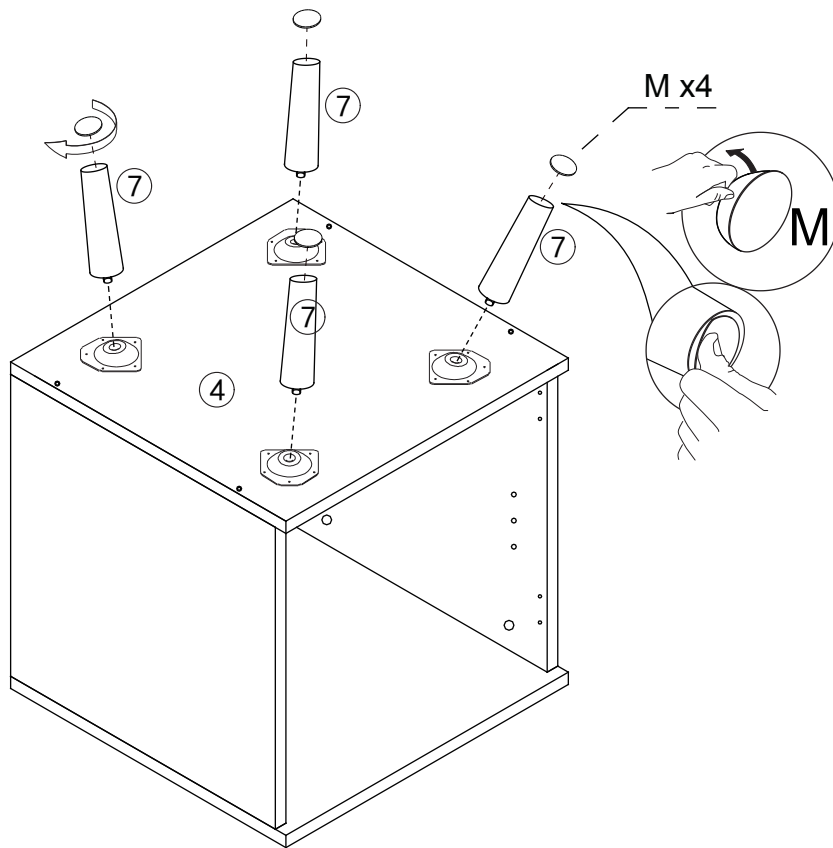
C	D
	
M8x30mm Dowel	M4x35mm Screw
4 pcs	4 pcs

6.



H	I
	
Metal foot plate	M4x14mm Screw
4 pcs	20 pcs

7.



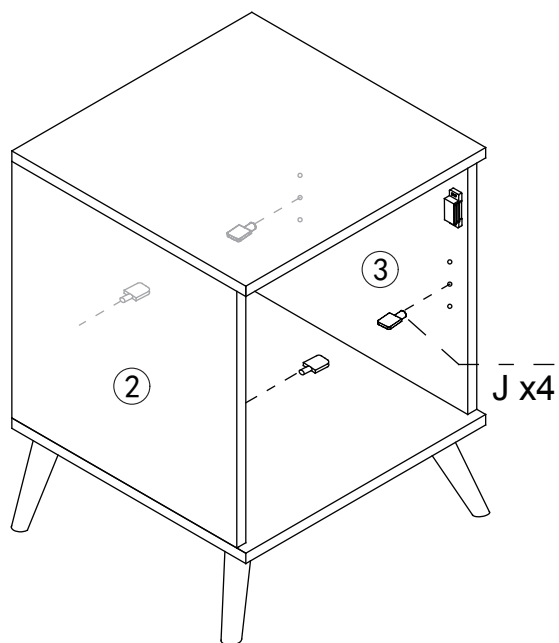
M



Foot pads

4 pcs

8.



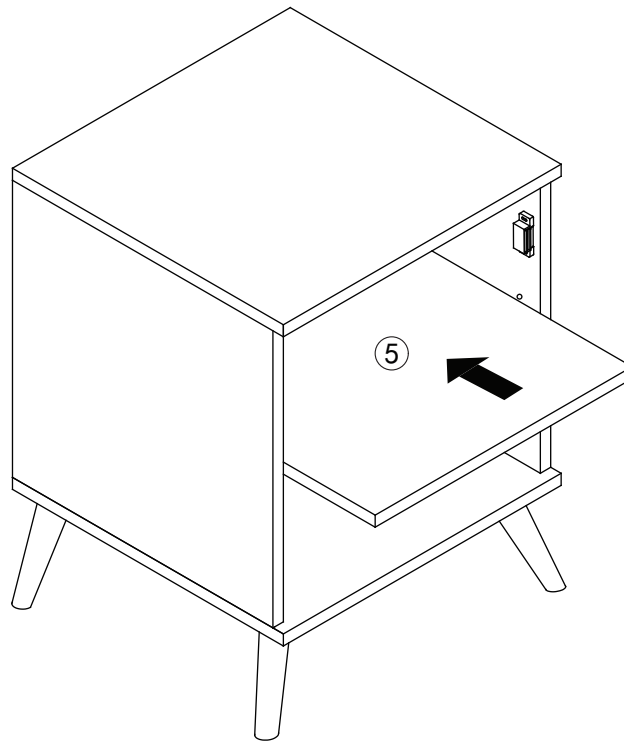
J



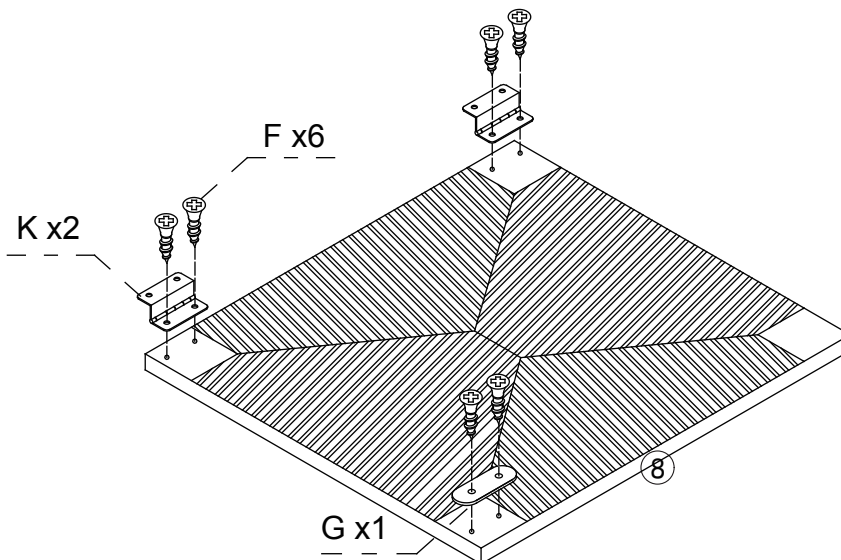
Shelf support

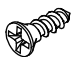

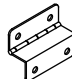
4 pcs

9.

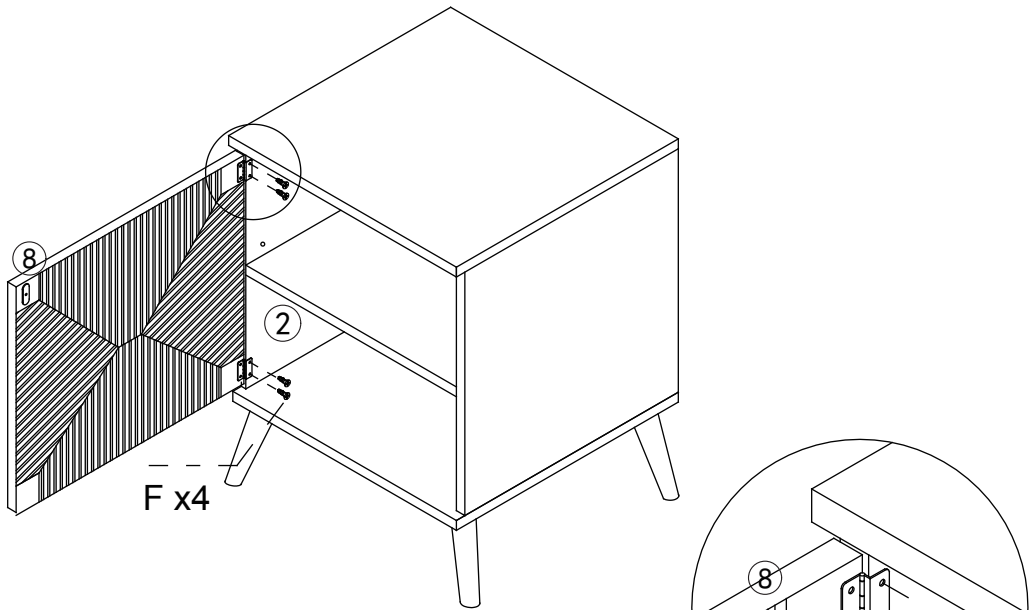


10.



F	G	K
		
M3x12mm Screw	Metal sheet	Hinge
6 pcs	1 pc	2 pcs

11.



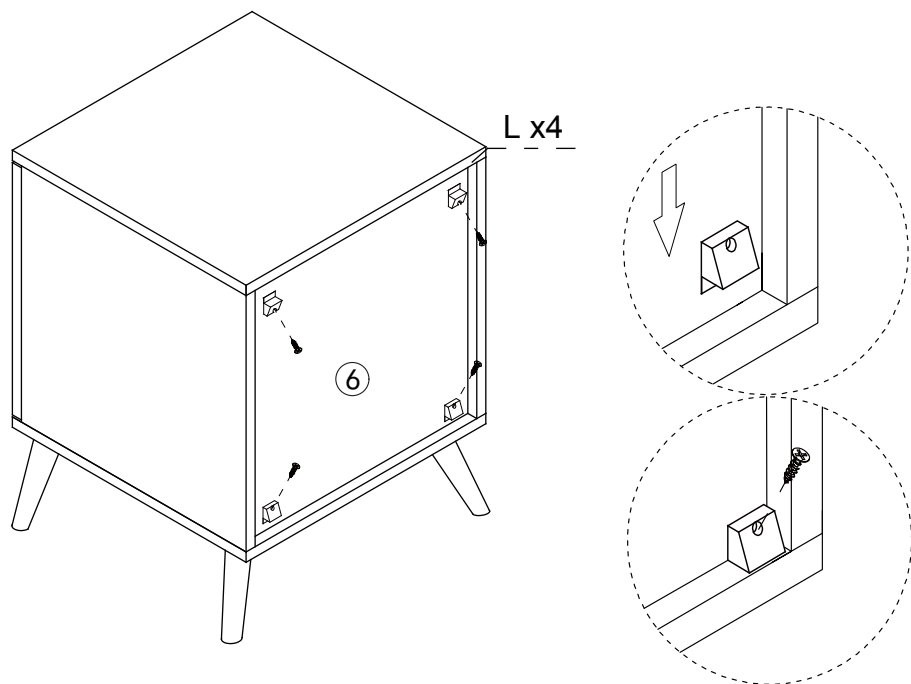
F



M3x12mm Screw

4 pcs

12.



L



Back plate buckle

4 pcs