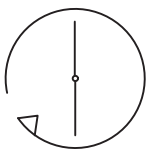
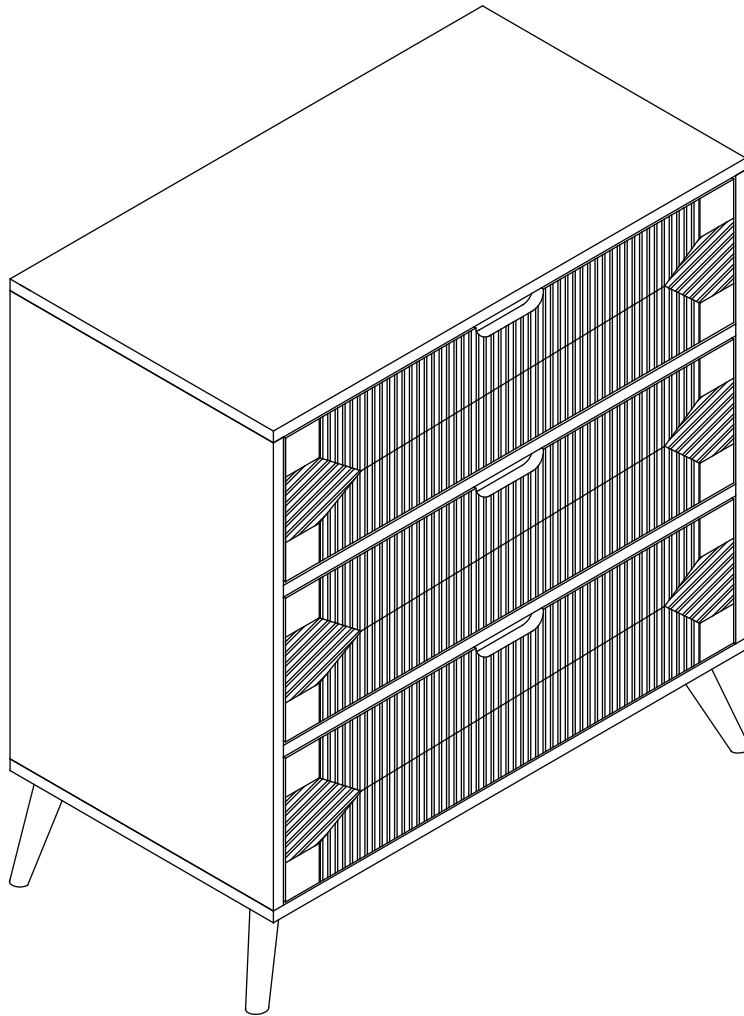


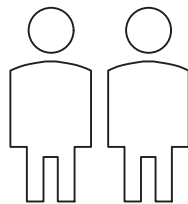
DUSK.COM
LIVING | BEDROOM | DINING

Range Name : Lottie
Box1 dimensions : W95xD49xH25cm
Product dimension : W80xD40xH78cm

Lottie 3 Drawer Chest



Up to 120 minutes
assembly time



Two person
assembly



Electric screwdriver
prohibited

This product is intended for domestic use only, not for commercial purposes.

IMPORTANT

ASSEMBLY TIP

Before you begin, it's best to identify all of the parts and fittings to build your Lottie 3 Drawer Chest frame. We advise laying these out on the floor to check you have everything, and to familiarise yourself with all of the parts and fittings before building.

TOP TIP

We recommend that you assemble the Lottie 3 Drawer Chest in the room you'd like it to be located. This will help prevent any risk of damage to the frame whilst moving it.

SAFETY AND CARE

It's important to ensure children and animals are kept away from the assembly area, as there are small components used in this product which could present a choking hazard. All plastic and wrapping materials should also be kept away from children and animals to prevent any risk of suffocation.

HELP AND SUPPORT

Please contact our customer service team on 0113 519 0311 if you have any questions or issues with your purchase.

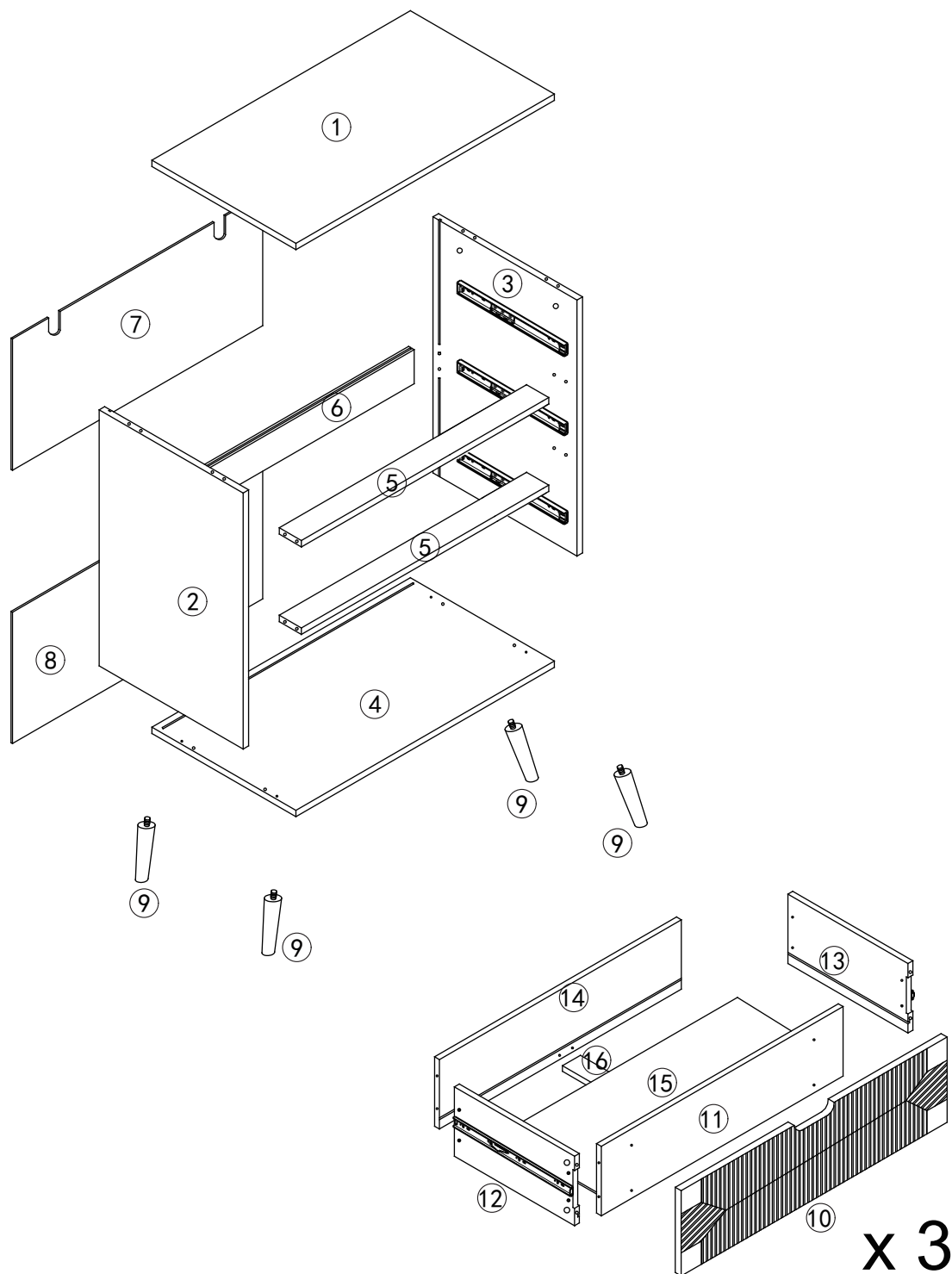
RECYCLING

Please ensure that packaging is disposed of in a safe and environmentally friendly way, and recycle where possible. Please keep your assembly instructions safe to refer back to in the future.

CARE AND MAINTENANCE:

1. Only clean using a damp cloth, do not use bleach or abrasive cleaners as they may damage the finish over time.
2. Do not use a very wet cloth or allow any liquid to contact with the veneer for a long period of time. Wipe any spillage immediately. Absorption can cause wood to warp or finishes to de-laminate.
3. Do not scrub or rub the surface when cleaning.
4. Do not drag the Lottie 3 Drawer Chest when moving, lift it off the floor instead.
5. Use a placemat or a coaster when putting hot items (e.g. hot drinks and dishes) on the wood surface.
6. It is not recommended to place the item next to sources of heat such as radiators, fires or directly exposed to sunlight. This may cause the wood to crack, split or fade due to the heat and humidity.
7. Wood will mellow and change colour over time, we recommend that ornaments and items placed on the surface to be moved regularly to prevent uneven mellowing.
8. Regularly check all fixings to ensure none have come loose. Re-tighten if necessary.
9. Avoid sharp items such as a screwdriver or any pointy tools.
10. Dispose of all packaging carefully and responsibly - recycle where possible.

Part List






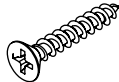






Part List

Before you begin building your Lottie 3 Drawer Chest, please take a moment to read through the instructions and make sure that you have all the relevant parts listed on the parts check list.

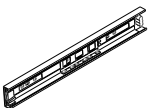
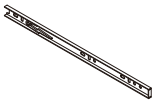

Part Number	Part Description	Quantity	Box NO	Part Number	Part Description	Quantity	Box NO
①	Top panel	1 pc	Box1	⑨	Leg	4 pcs	Box1
②	Left side panel with slide pre-assembled	1 pc	Box1	⑩	Drawer front outer	3 pcs	Box1
③	Right side panel with slide pre-assembled	1 pc	Box1	⑪	Drawer front inner	3 pcs	Box1
④	Bottom panel	1 pc	Box1	⑫	Drawer left with slide pre-assembled	3 pcs	Box1
⑤	Front support	2 pcs	Box1	⑬	Drawer right with slide pre-assembled	3 pcs	Box1
⑥	Back support	1 pc	Box1	⑭	Drawer back	3 pcs	Box1
⑦	Top back panel	4 pcs	Box1	⑮	Drawer bottom	3 pcs	Box1
⑧	Bottom back panel	1 pc	Box1	⑯	Drawer bottom support	3 pcs	Box1

Fittings

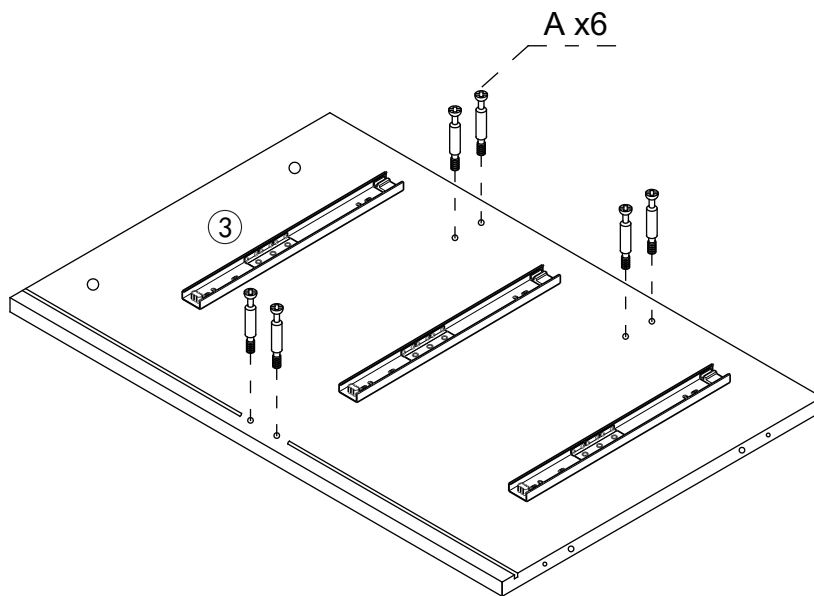
Please check you have all the fittings listed below with your production Box1.

A 	B 	C 	D 	E 
M6x35mm Bolt	M15x10mm Cam Lock	M8x30mm Dowel	M4x35mm Screw	M4x20mm Screw
31 pcs +1	31 pcs +1	8 pcs	34 pcs +1	12 pcs +1
F 	G 	H 	I 	J 
Wall anchor kit	Back plate buckle	Metal foot plate	M4x14mm Screw	Foot pads
2 pcs	12 pcs	4 pcs	20 pcs +1	4 pcs

Pre-assembled Fittings.

		
Slide Pre-assembled	Slide Pre-assembled	M3.5x12mm Screw
6	6	30

1.



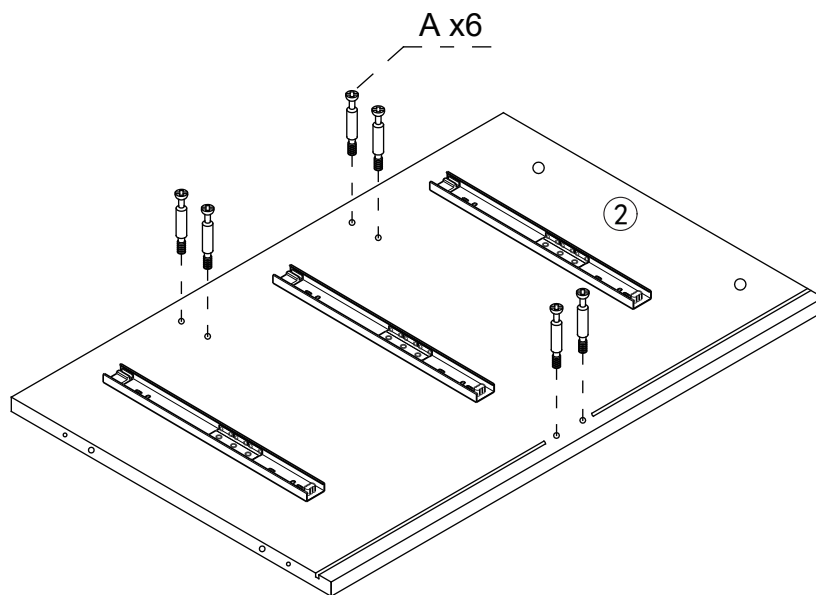
A



M6x35mm Bolt

6 pcs

2.



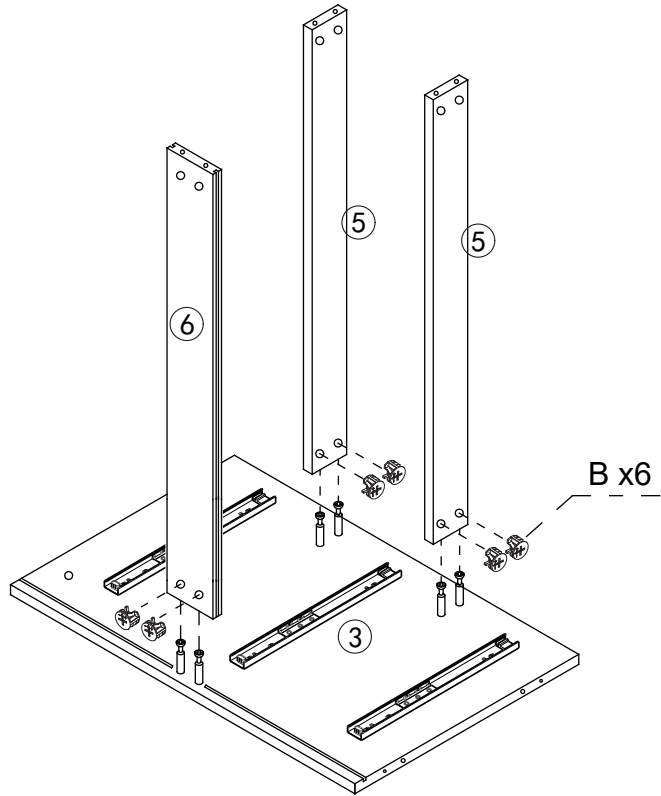
A



M6x35mm Bolt

6 pcs

3.



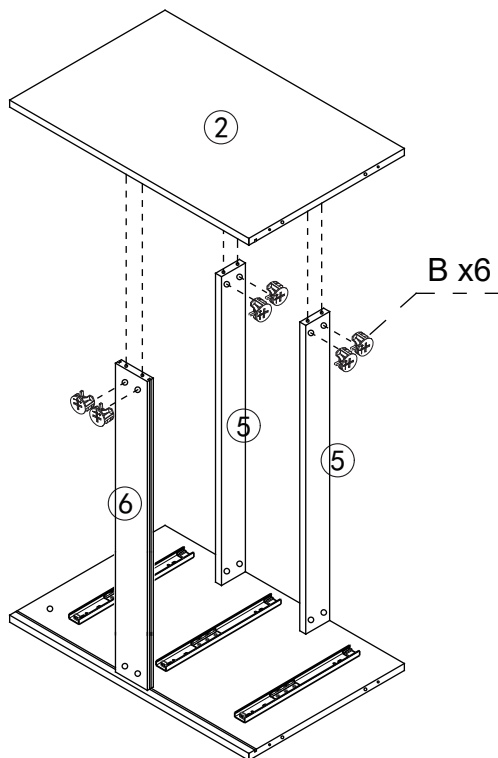
B



M15x10mm Cam Lock

6 pcs

4.



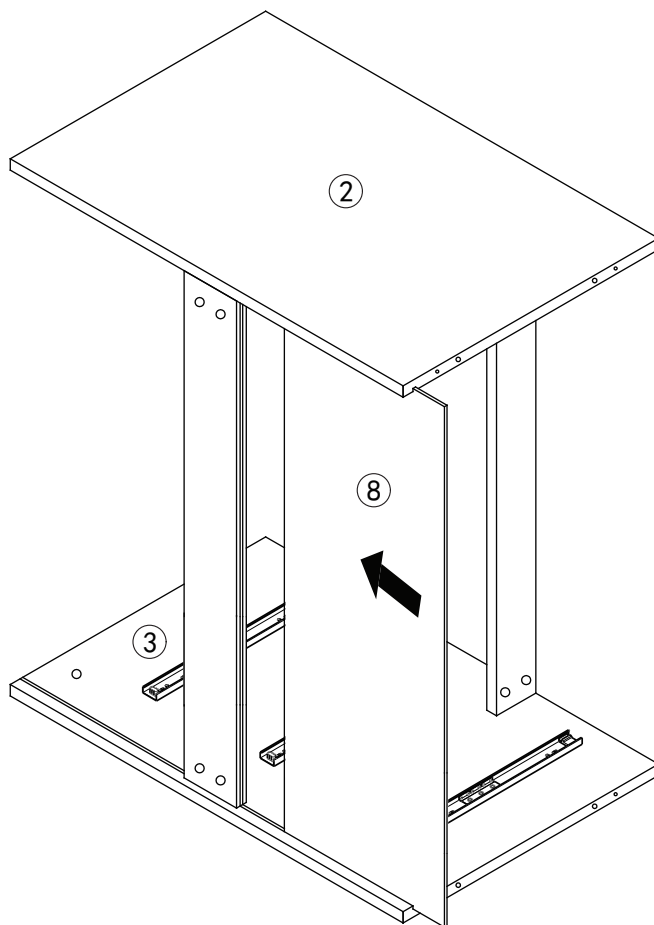
B



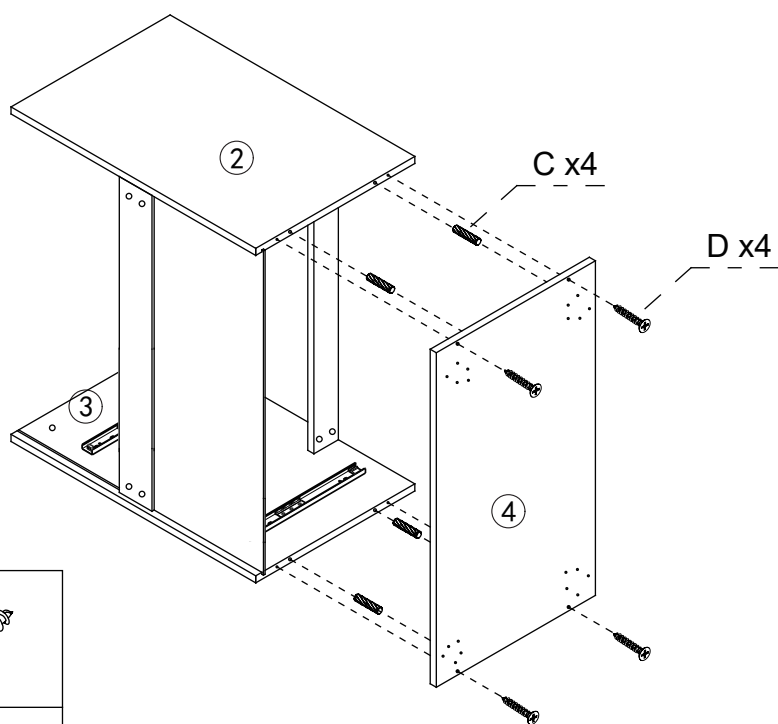
M15x10mm Cam Lock


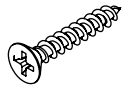
6 pcs

5.

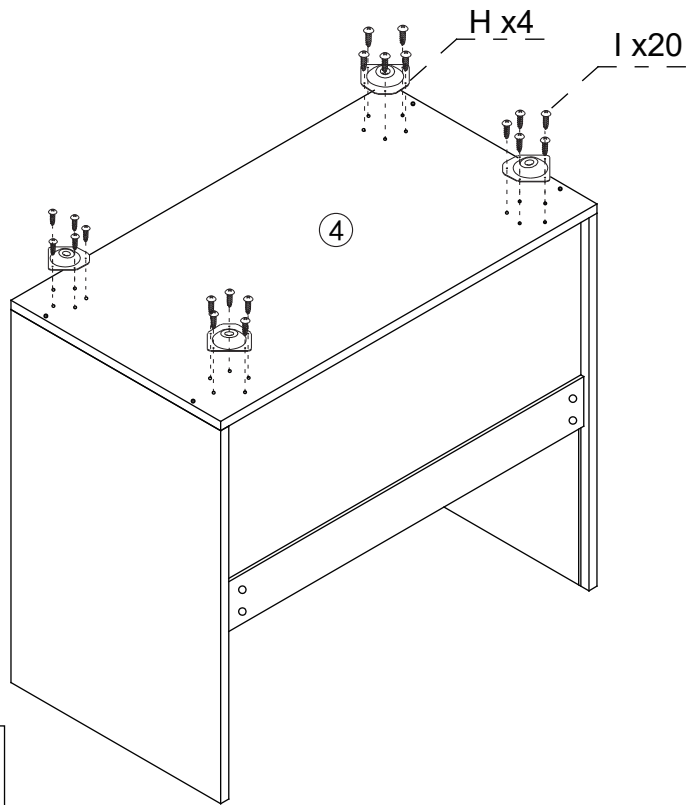




6.



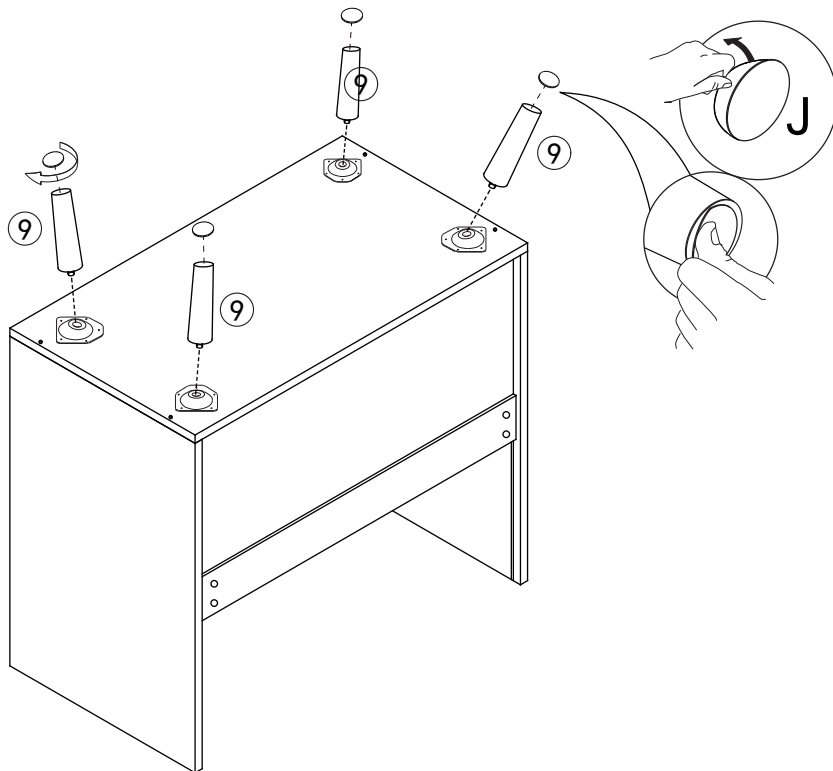
C	D
	
M8x30mm Dowel	M4x35mm Screw
4 pcs	4 pcs

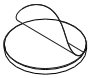
7.



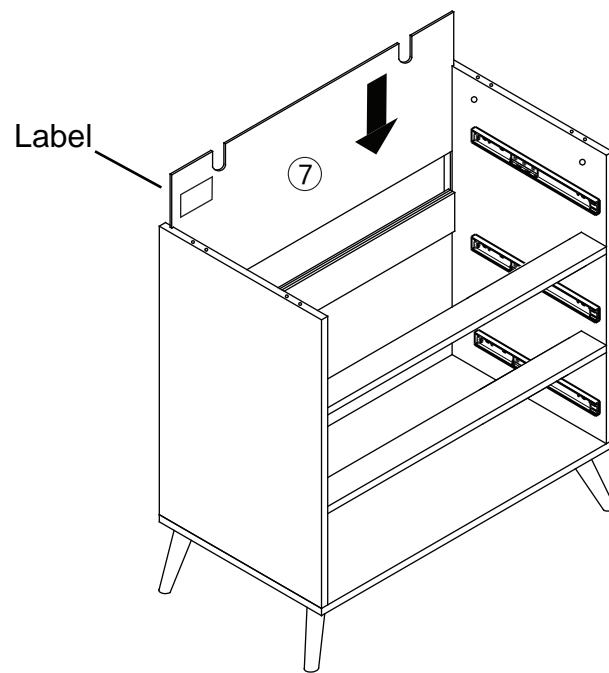
<p>H</p> 	<p>I</p> 
<p>Metal foot plate</p>	<p>M4x14mm Screw</p>
<p>4 pcs</p>	<p>20 pcs</p>

8.

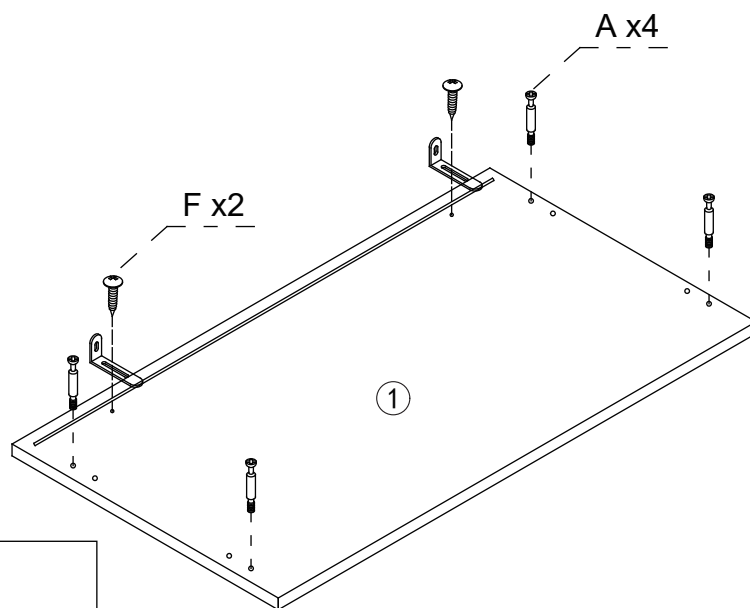




<p>J</p> 
<p>Foot pads</p>
<p>4 pcs</p>

9.

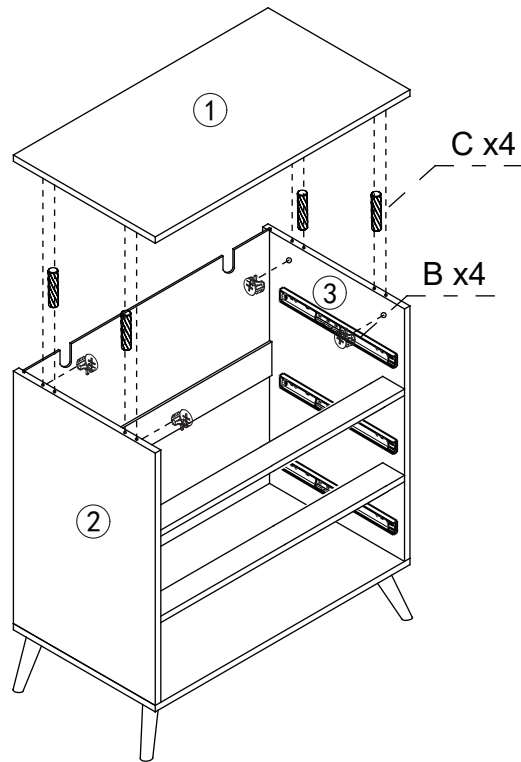




10.



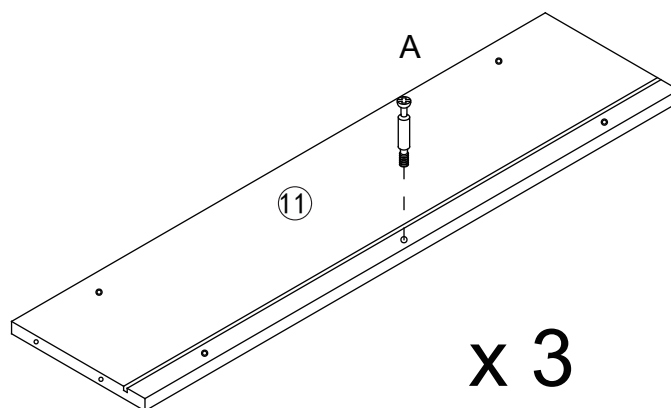
A	F
	
M6x35mm Bolt	Wall anchor kit
4 pcs	2 pcs


11.



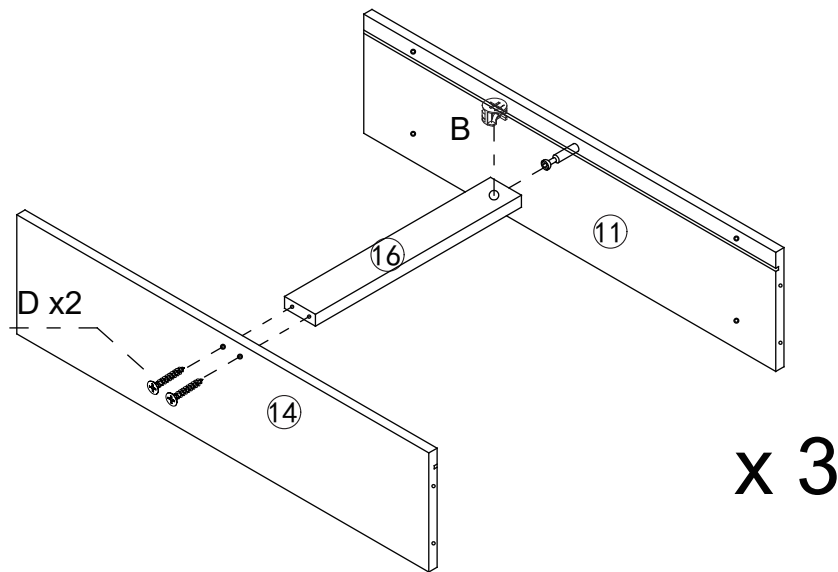
<p>B</p> 	<p>C</p> 
<p>M15x10mm Cam Lock</p>	<p>M8x30mm Dowel</p>
<p>4 pcs</p>	<p>4 pcs</p>

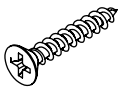

12.



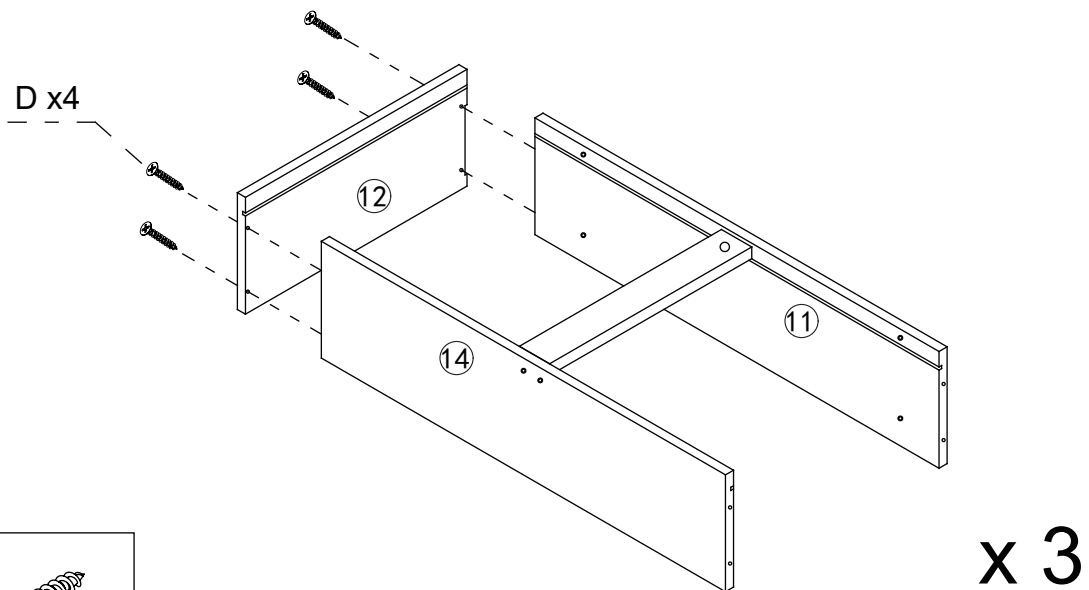
<p>A</p> 
<p>M6x35mm Bolt</p>
<p>3 pcs</p>

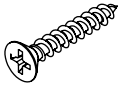
13.



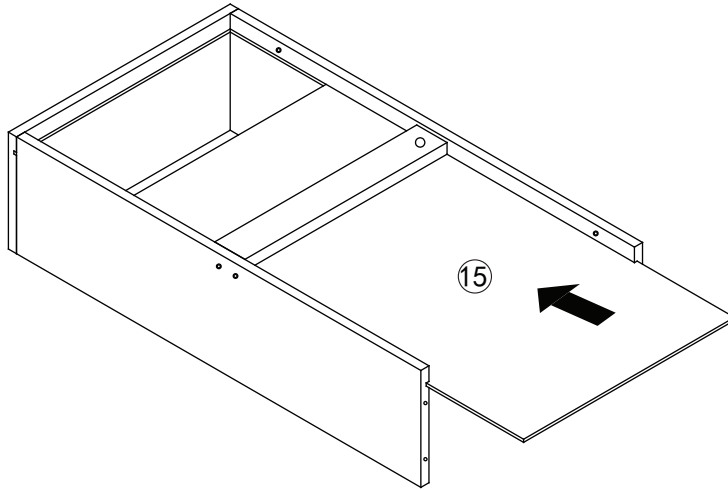
D	B
	
M4x35mm Screw	M15x10mm Cam Lock
6 pcs	3 pcs

14.



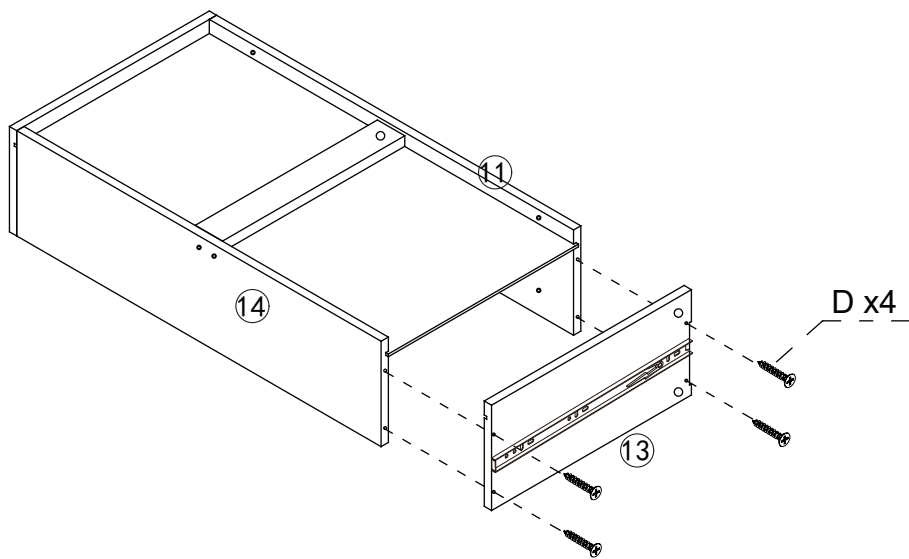
D

M4x35mm Screw
12 pcs

15.

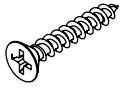


x 3

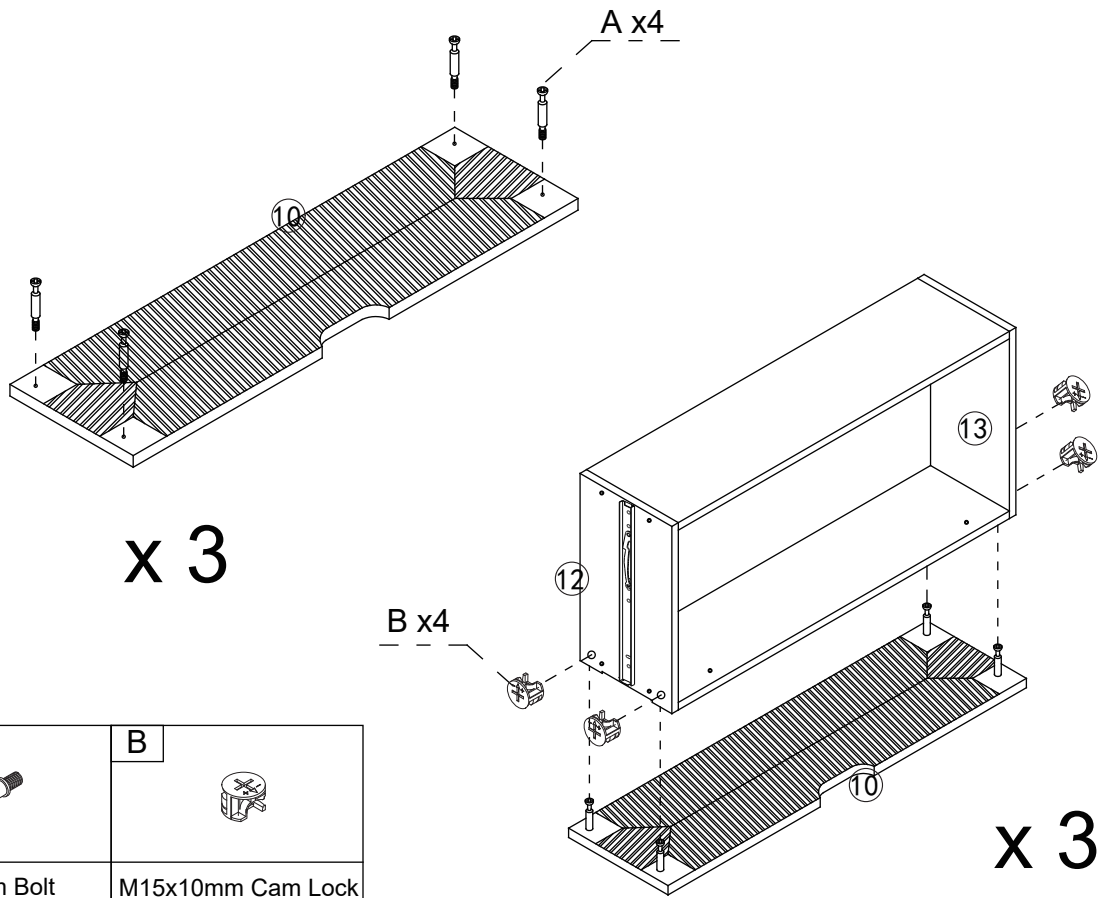
16.





x 3

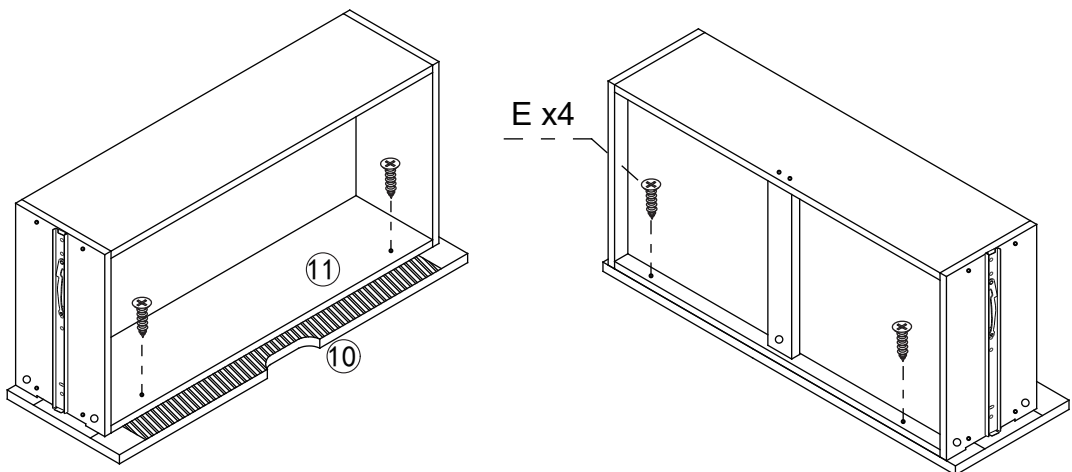
D

M4x35mm Screw
12 pcs

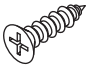
17.



A	B
	
M6x35mm Bolt 12 pcs	M15x10mm Cam Lock 12 pcs

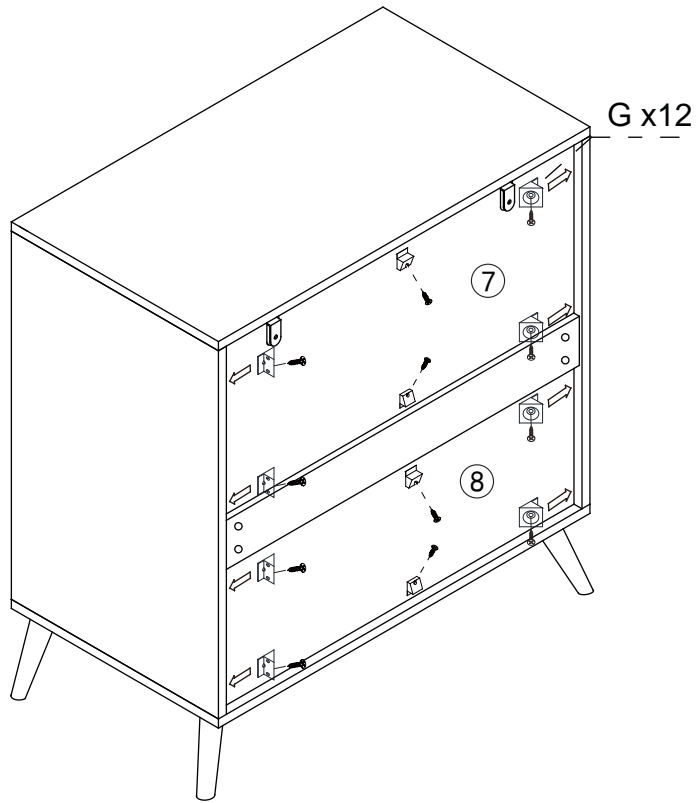
18.



E

M4x20mm Screw 12 pcs

x 3

19.



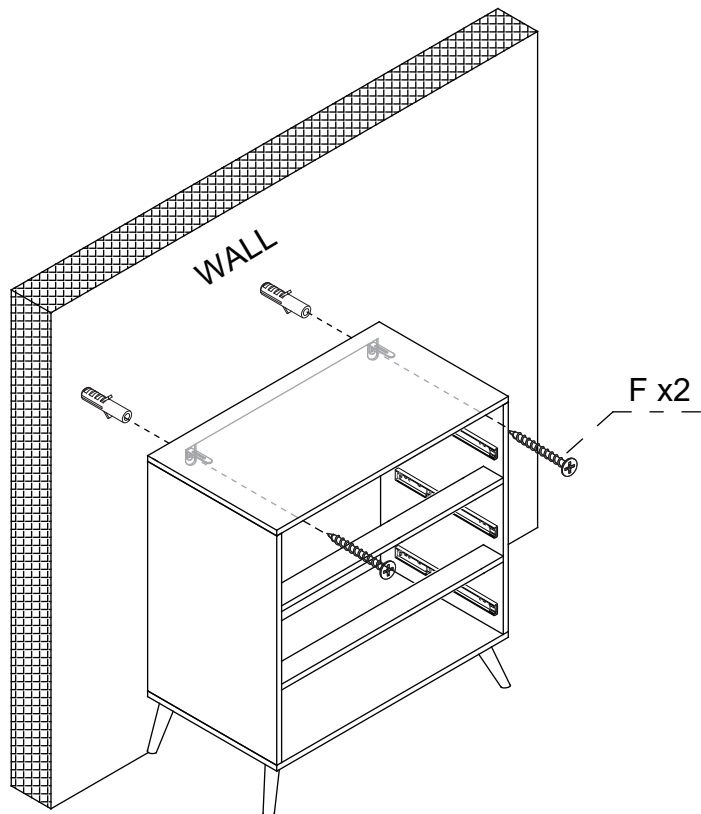
G



Back plate buckle

12 pcs

20.



F



Wall anchor kit

2 pcs

