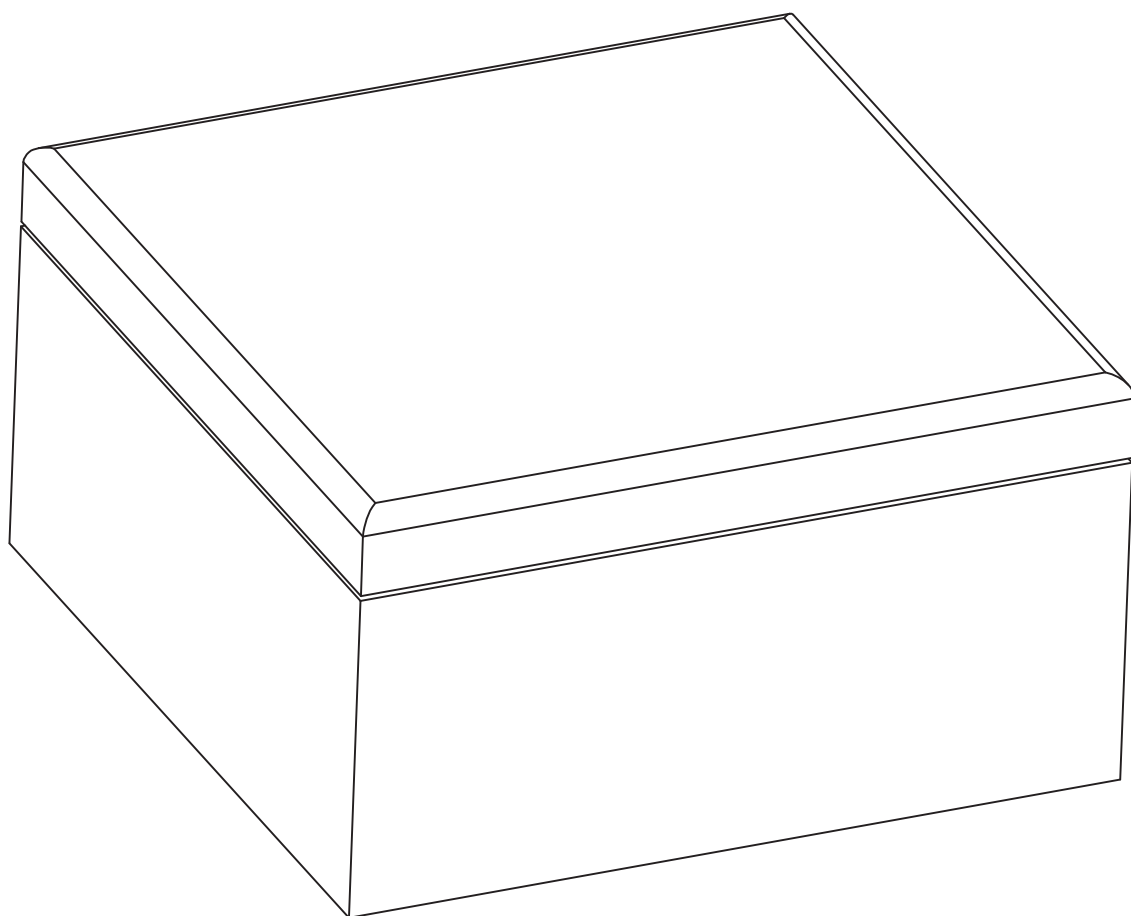


DUSK.COM
LIVING | BEDROOM | DINING

Range Name: Lisbon
Box Dimensions: L77.5 x W35 x H78 (cm)

POUFFE



This product is intended for domestic use only, not for commercial purpose.

IMPORTANT

SAFETY AND CARE

All plastic and wrapping materials should also be kept away from children and animals to prevent any risk of suffocation.

Do not stand on your product. Pregnant women should take additional care when using this product. Do not leave the children unattended. Children should always be under direct adult supervision whilst using this product.

Always use on firm level ground, ensuring all legs remain in contact with the ground.

HELP AND SUPPORT

Please contact our customer service team on 0113 519 0311 if you have any questions or issues with your purchase.

RECYCLING

Please ensure that packaging is disposed of in a safe and environmentally friendly way, and recycle where possible. Please keep your assembly instructions safe to refer back to in the future.

CARE AND MAINTENANCE

- All our cushions are made from high quality exterior grade fabrics that are water, UV and mould resistant and can be exposed to the elements however, we suggest that you remove cushions and store in a suitable location during bad weather and over winter to help preserve their appearance. If cushions are exposed to heavy rain you may find standing them up on their sides will help them dry faster. If left in strong direct sunlight for prolonged periods colours may begin to fade.
- One of the best ways to keep cushions looking good and to delay deep or vigorous cleaning is to properly maintain the fabrics. This can be accomplished by simply brushing off dirt before it becomes embedded in the fabrics, wiping up spills as soon as they occur or spot cleaning soon after stains occur.
- For small marks and dirty areas we suggest spot cleaning with a weak solution of warm water and washing powder or laundry detergent. Ensure a suitable clean white cloth is used and allow to air dry thoroughly.
- Always use on a firm, flat and level surface.
- This furniture is designed for private and domestic use only e.g. around the home and garden. This furniture is not designed or intended for commercial use e.g. pubs, restaurants or hotels etc.
- Take care when using the furniture near other products such as barbecues, candles, lanterns or heaters.
- Always use a pouffe on level ground ensuring the legs remain in contact with the ground at all times, do not lean back on two legs.
- In order to prolong the life of your product, we recommend that it be stored in a dry and protected area with a cover when not in use.
- Maximum weight limit per pouffe is 100kg/220lbs