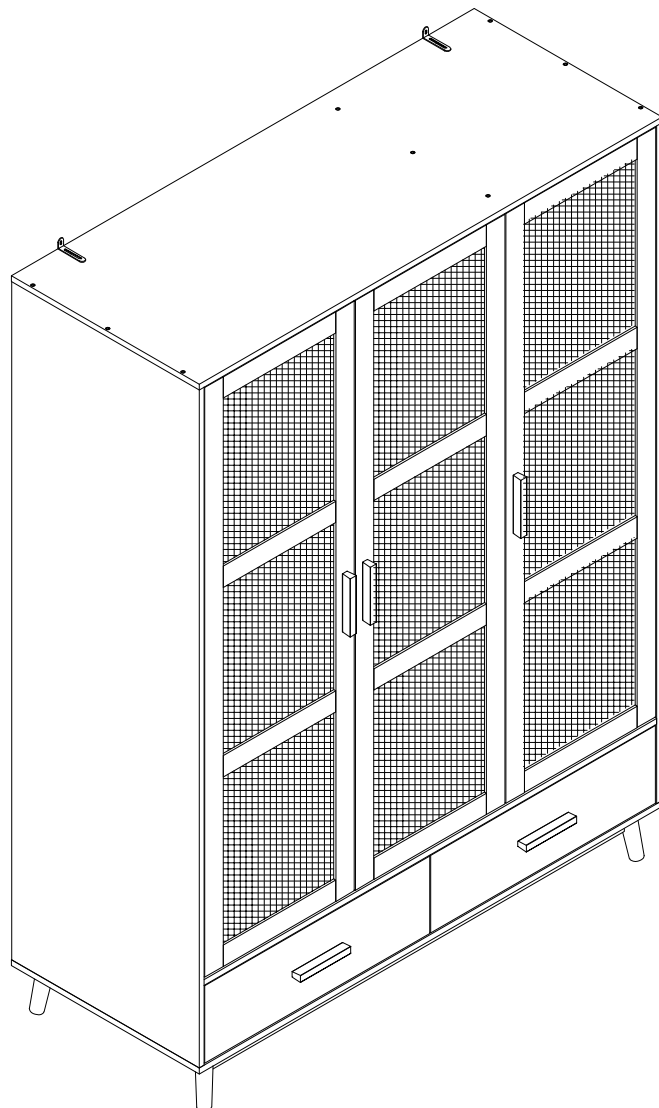


# DUSK . COM

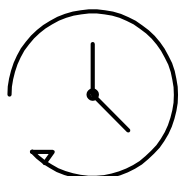
Range Name: ISLA  
Product Dimensions: L138 x W56 x H190(cm)

LIVING BEDROOM DINING

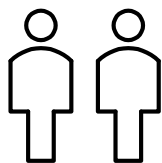
## 3 Door 2 Drawer Wardrobe



THIS INSTRUCTION BOOKLET CONTAINS IMPORTANT SAFETY INFORMATION  
PLEASE READ AND KEEP FOR FUTURE REFERENCE.



60 minutes approx  
assembly time



Two adults  
assembly required

This product is intended for domestic use only , not for commercial purposes.

Page 1

## Important

### Assembly Tip

Before you begin, we advise laying everything out on a clean and soft level surface to avoid damaging the unit or your floor, It's best to identify all of the parts and fittings to build your Wardrobe, and to familiarise yourself with all of the parts and fittings before building.

### Top Tip

We recommend that you build your new Wardrobe in the room you'd like it to be located. This will help prevent any risk of damage to the product whilst moving it.

### Safety and Care

1. It's important to ensure children and animals are kept away from the assembly area, as there are small components used in this Wardrobe which could present a choking hazard. All plastic and wrapping materials should also be kept away from children and animals to prevent any risk of suffocation.
2. Do not stand on your product.
3. Always use the item on firm level ground, ensuring all legs remain in contact with the ground.
4. Place heaviest items in the lowest drawers.
5. Do not set TV or other heavy objects on top of the product.
6. Children should always be under supervision whilst using this product. Never allow children to climb on the drawers.
7. Never keep more than one drawer open at the same time.
8. The installation of anti tipping kit to secure your furniture is strongly suggested.
9. Serious or fatal crushing injuries can occur from tipping furniture.

### Help and Support

Please contact our customer service team on 0113 519 0311 if you have any questions or issues with your purchase.

### Recycling

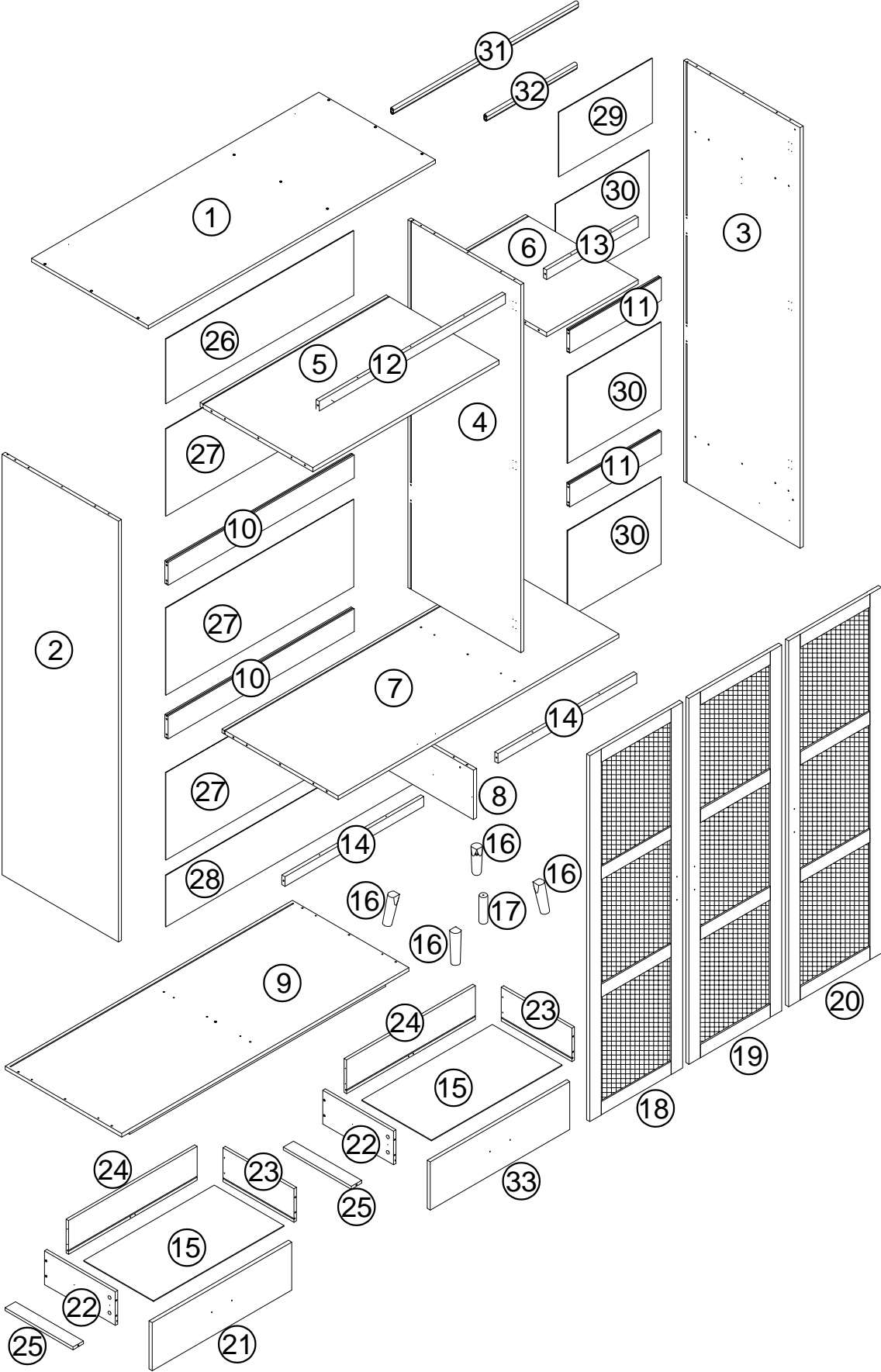
Please ensure that packaging is disposed of in a safe and environmentally friendly way, and recycle where possible. Please keep your assembly instructions safe to refer back to in the future.

## Care and Maintenance

1. Only clean using a damp cloth, do not use bleach or abrasive cleaners as they may damage the finish over time.
3. Do not scrub or rub the surface when cleaning.
2. Do not use a very wet cloth or allow any liquid to contact with the veneer for a long period of time. Wipe any spillage immediately. Absorption can cause wood to warp or finishes to de-laminate.
4. Do not drag the Wardrobe when moving, lift it off the floor instead.
5. Use a placemat or a coaster when putting hot items (e.g. hot drinks and dishes) on the wood surface.
6. It is not recommended to place the item next to sources of heat such as radiators, fires or directly exposed to sunlight. This may cause the wood to crack, split or fade due to the change of the humidity and temperature.
7. Wood will mellow and change colour over time, we recommend that ornaments and items placed on the surface to be moved regularly to prevent uneven mellowing.
8. Regularly check all fixings to ensure none have come loose. Re-tighten if necessary,
9. Avoid sharp items such as a screwdriver or any pointy tools. Page 2

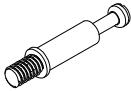
# Parts checklist

Please check you have all the parts listed below with your product:  
Do not discard any of the packaging until you have checked that you have all the parts and the pack of fixings.

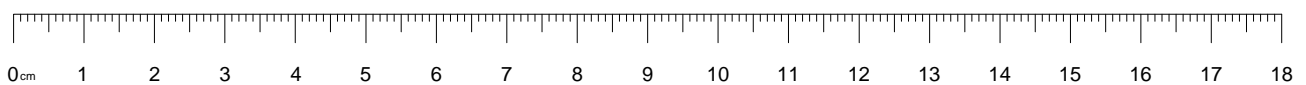


# Fittings checklist

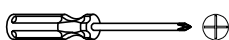
Please check you have all the fittings listed below with your product:

 <p><b>A</b> 36mm cam bolt x51pcs ( +3 extra)</p>	 <p><b>B</b> M15x9.5mm cam x51pcs ( +3 extra)</p>	 <p><b>C</b> M6x30mm Wood dowel x26pcs ( +2 extra)</p>
 <p><b>D</b> M4x35mm Screw x23pcs ( +2 extra)</p>	 <p><b>E</b> M3x12mm Screw x28pcs ( +3 extra)</p>	 <p><b>F</b> L wall fixing x2pcs</p>
 <p><b>G</b> M4x12mm Screw x2pcs</p>	 <p><b>H</b> 30mm Wall Plug x2pcs</p>	 <p><b>I</b> M4x30mm Screw x10pcs ( +1 extra)</p>
 <p><b>J</b> Runner x4pcs</p>	 <p><b>K</b> M6x50mm Screw x4pcs</p>	 <p><b>L</b> Metal plate x4pcs</p>
 <p><b>M</b> Metal plate x4pcs</p>	 <p><b>N</b> L fitting x1pc</p>	 <p><b>O</b> Felt pad x4pcs</p>
 <p><b>P</b> Back bracket x48pcs ( +3 extra)</p>	 <p><b>Q</b> M3x14mm Screw x52pcs ( +3 extra)</p>	 <p><b>R</b> Adjustment feet x1pc</p>
 <p><b>S</b> Handle x5pcs</p>	 <p><b>T</b> Sticker x45pcs ( +3 extra)</p>	 <p><b>U</b> M7x50mm Screw x22pcs ( +2 extra)</p>

## Bolt Length Ruler:



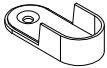
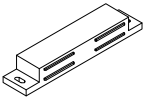
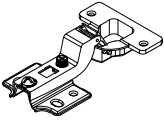
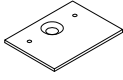

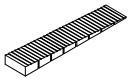

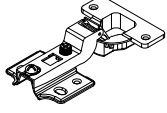
## Tool required



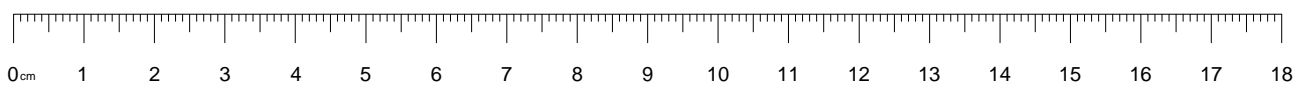
Crosshead Screwdriver (not provided)

# Fittings checklist

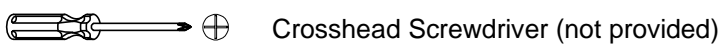
Please check you have all the fittings listed below with your product:

 <p><b>(V)</b> Clothes rail support fitting x4pcs</p>	 <p><b>(W)</b> Magnet x2pcs</p>	 <p><b>(X)</b> Hinge1 x6pcs</p>
 <p><b>(Y)</b> Metal piece x4pcs</p>	 <p><b>(Z)</b> M4x14mm Screw x54pcs ( +4 extra)</p>	 <p><b>(AA)</b> Leveller x2pcs</p>
 <p><b>(CC)</b> M6x50mm Wood dowel x3pcs</p>	 <p><b>(DD)</b> Hinge2 x3pcs</p>	

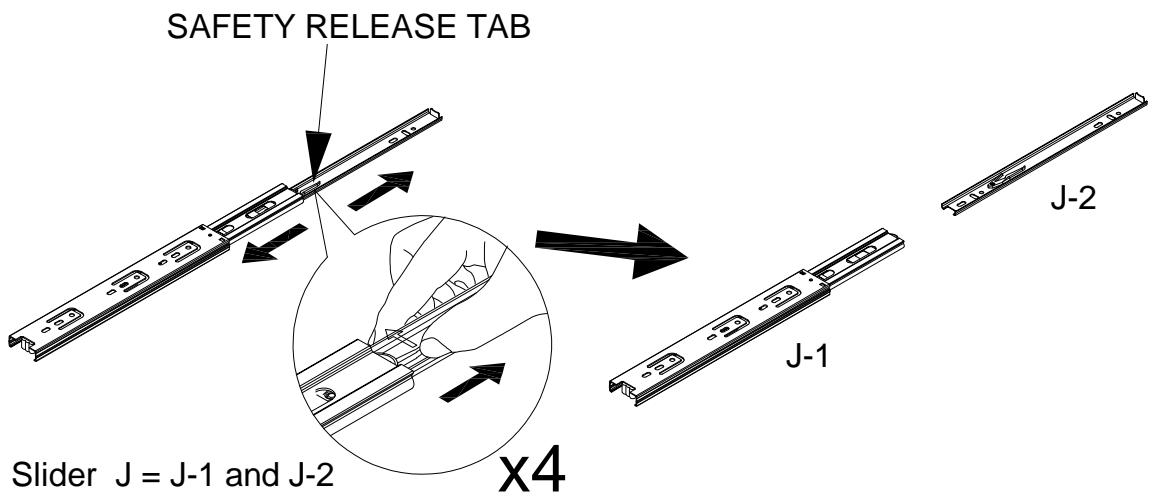
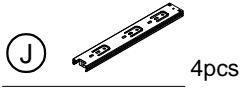
## Bolt Length Ruler:



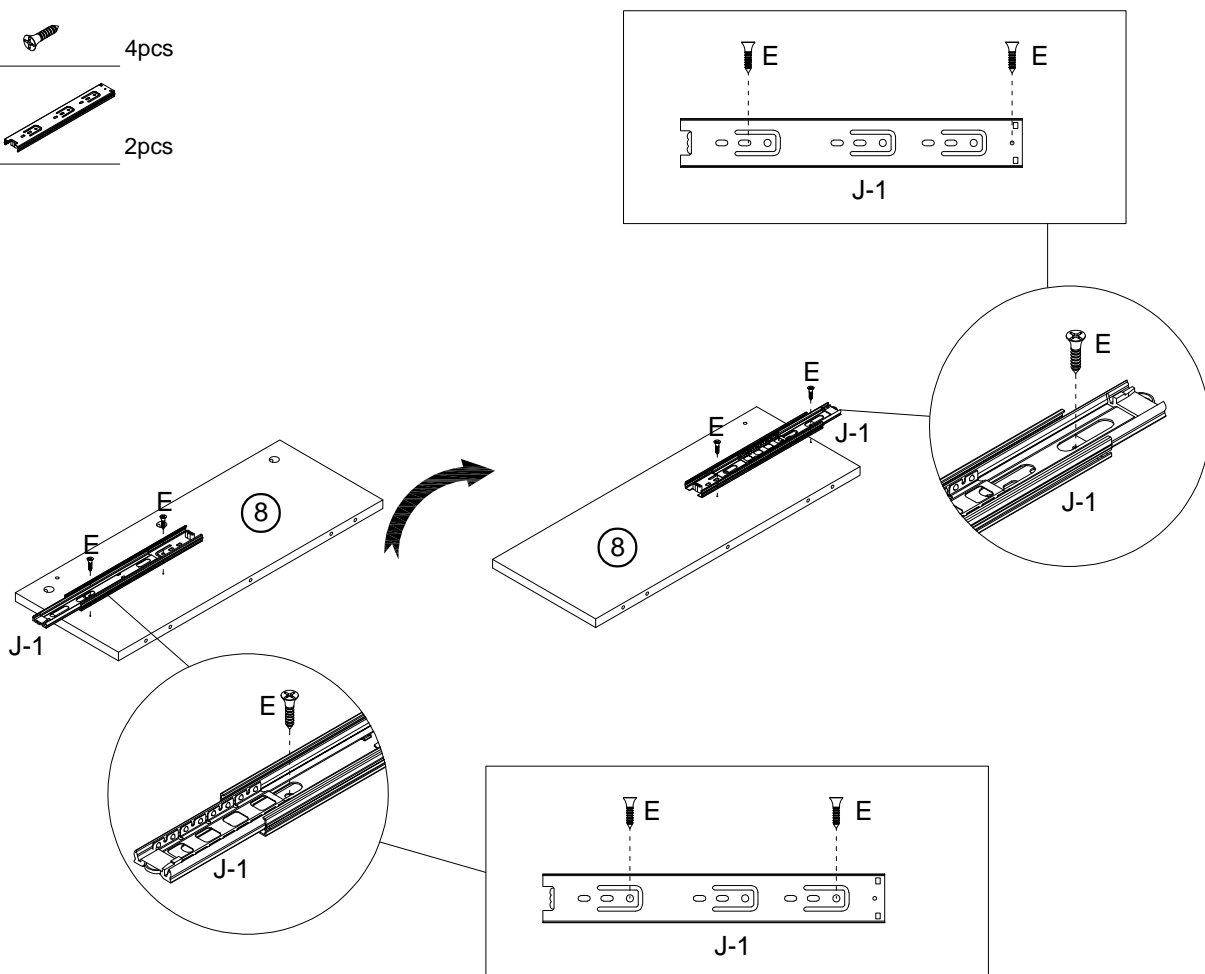
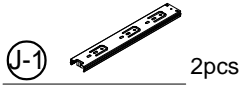
## Tool required






## Step 1

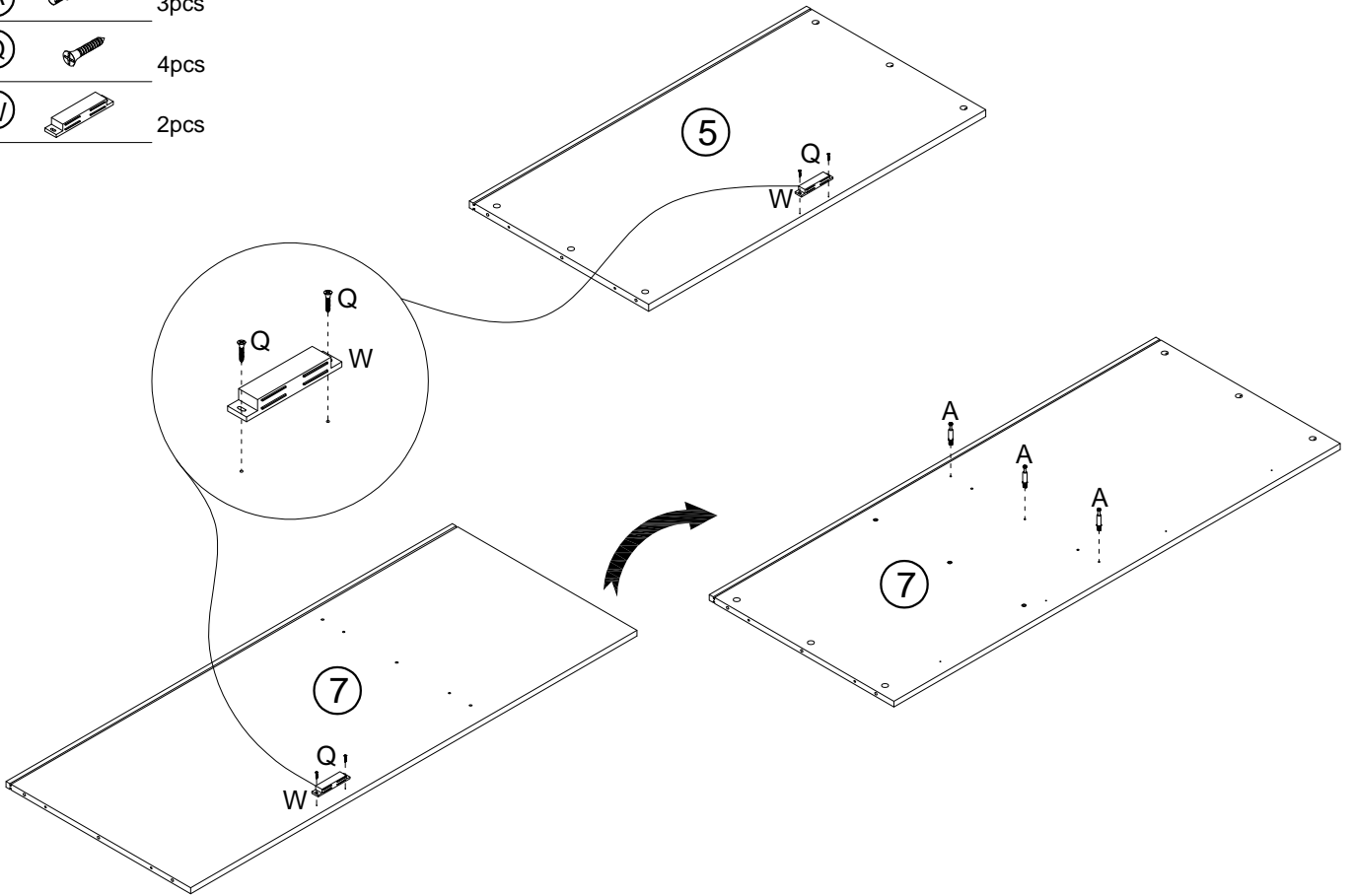


## Step 2






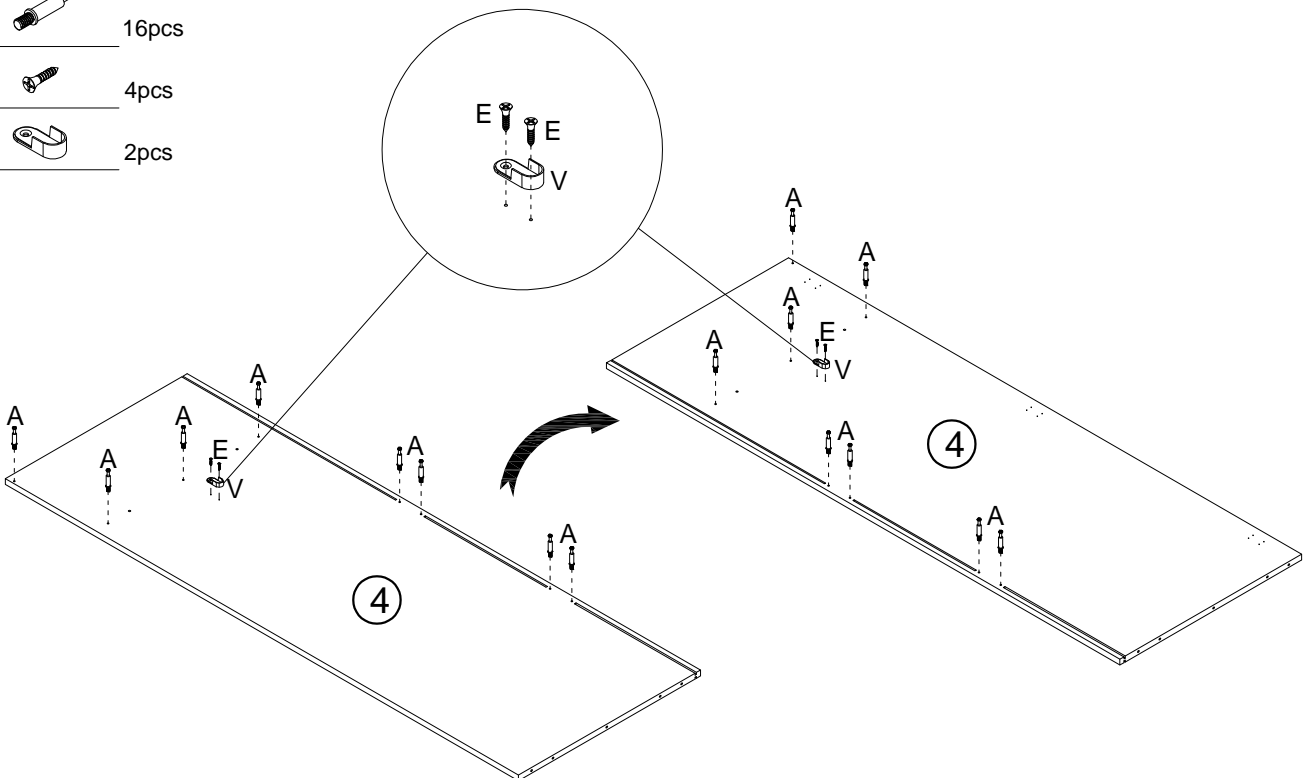
### Step 3

-  3pcs
-  4pcs
-  2pcs








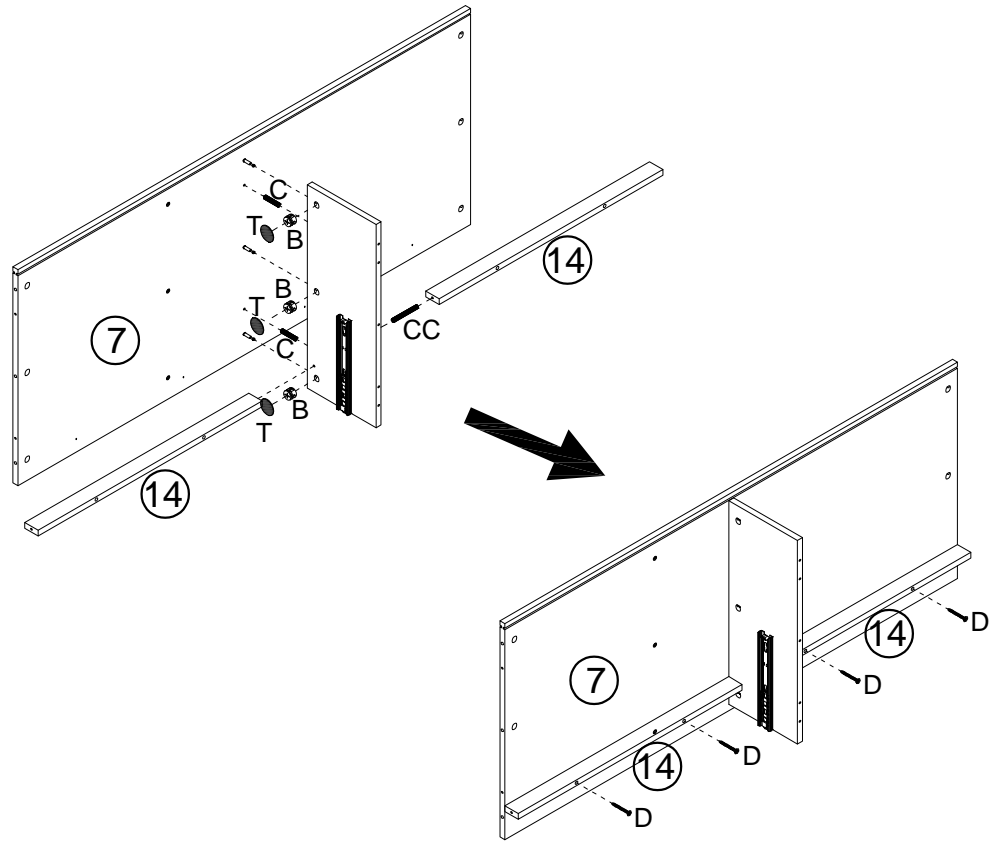
### Step 4

-  16pcs
-  4pcs
-  2pcs






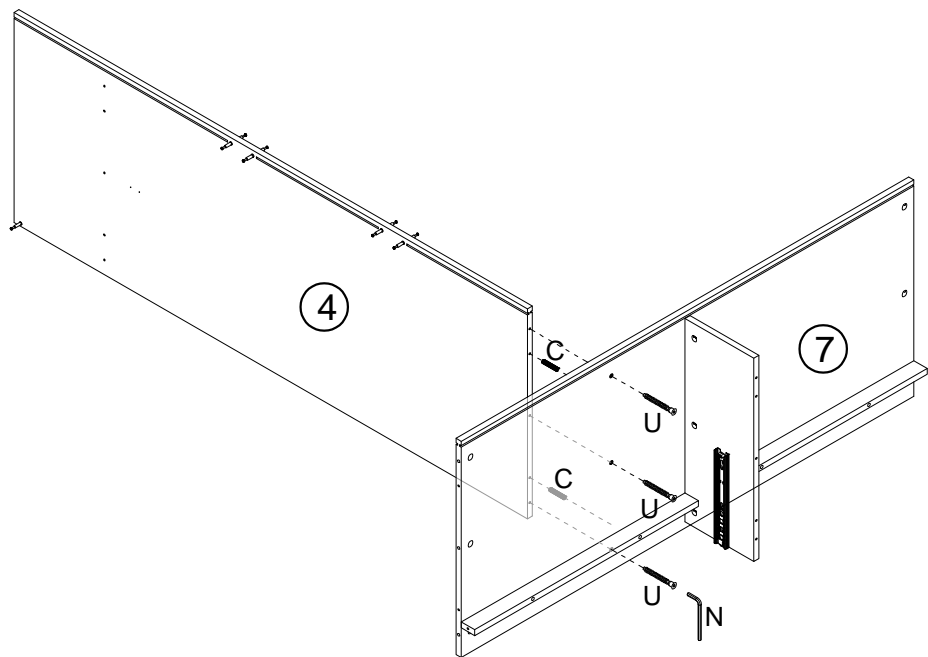
## Step 5

- ⓑ  3pcs
- ⓒ  2pcs
- ⓓ  4pcs
- Ⓣ  3pcs
- ⒸⒸ  1pc



## Step 6

- ⓒ  2pcs
- Ⓤ  3pcs
- Ⓝ  1pc



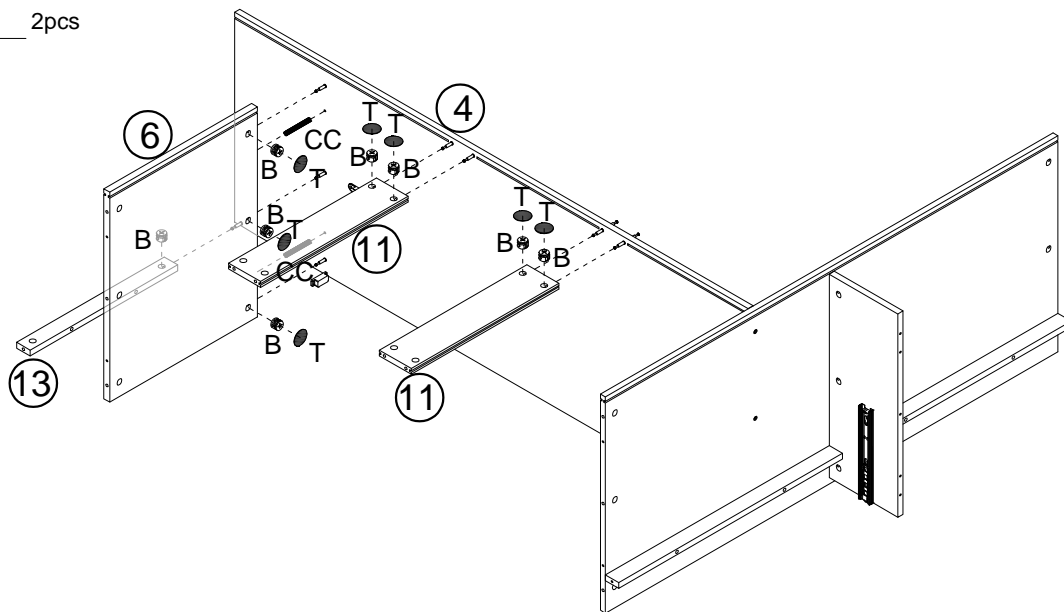


## Step 7

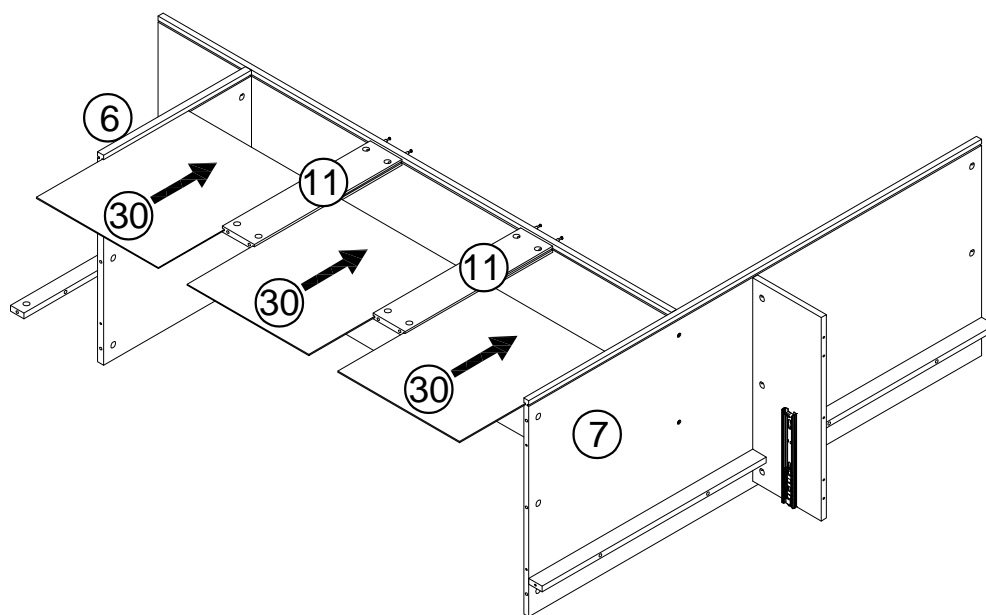
(B)  8pcs

(T)  7pcs


(CC)  2pcs



## Step 8




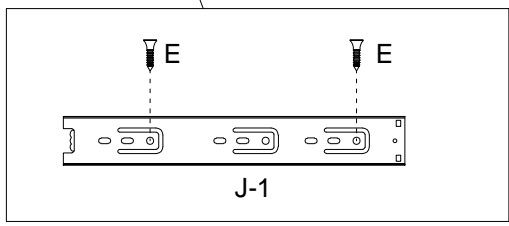
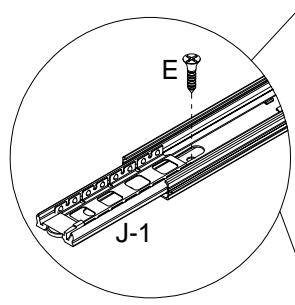
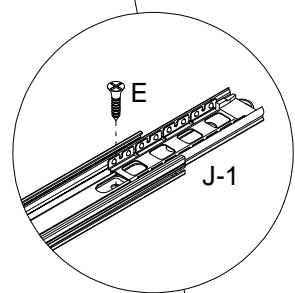
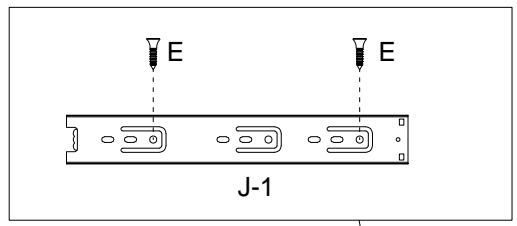
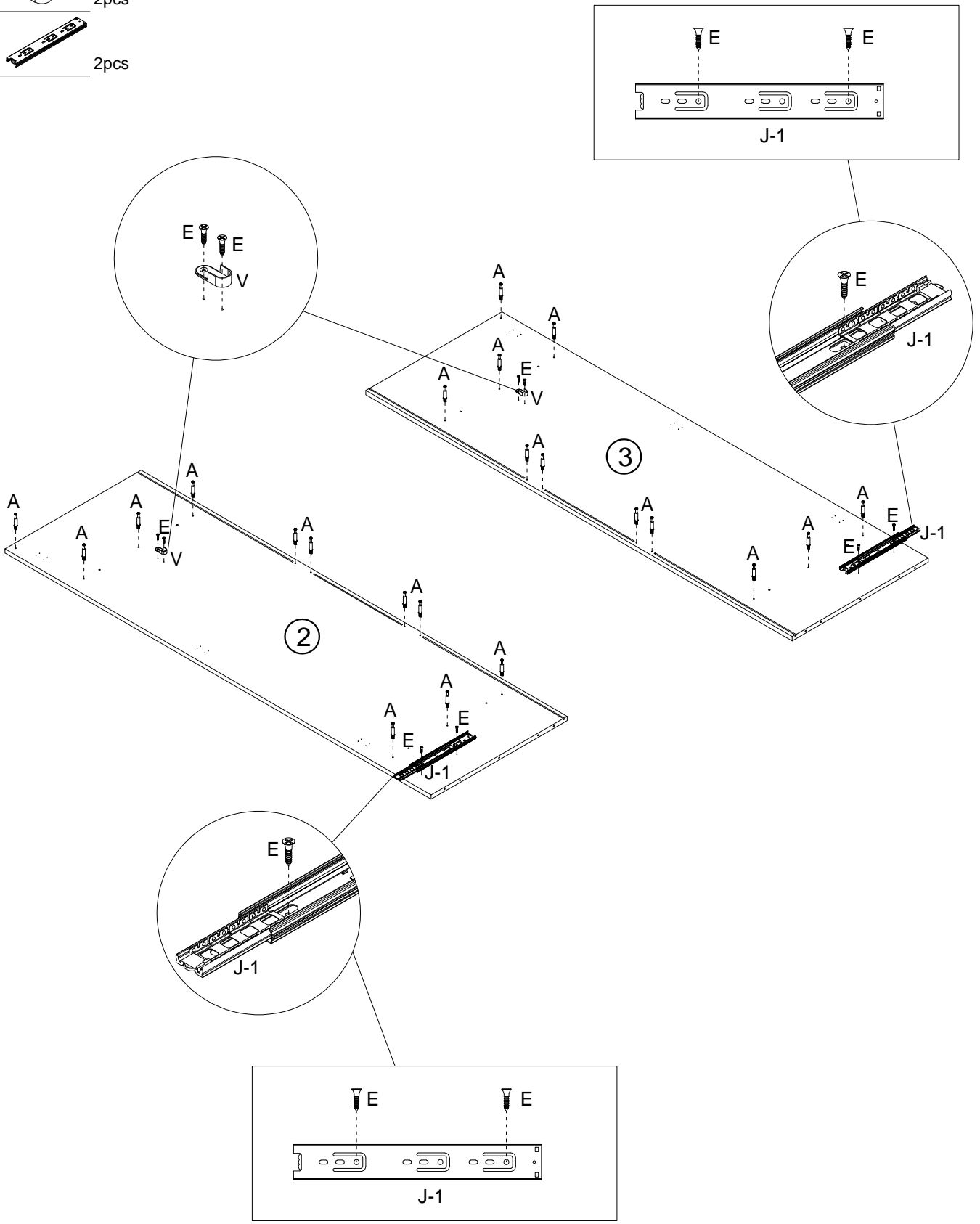
# Step 9

(A)  22pcs

(E)  8pcs

(V)  2pcs

(J-1)  2pcs

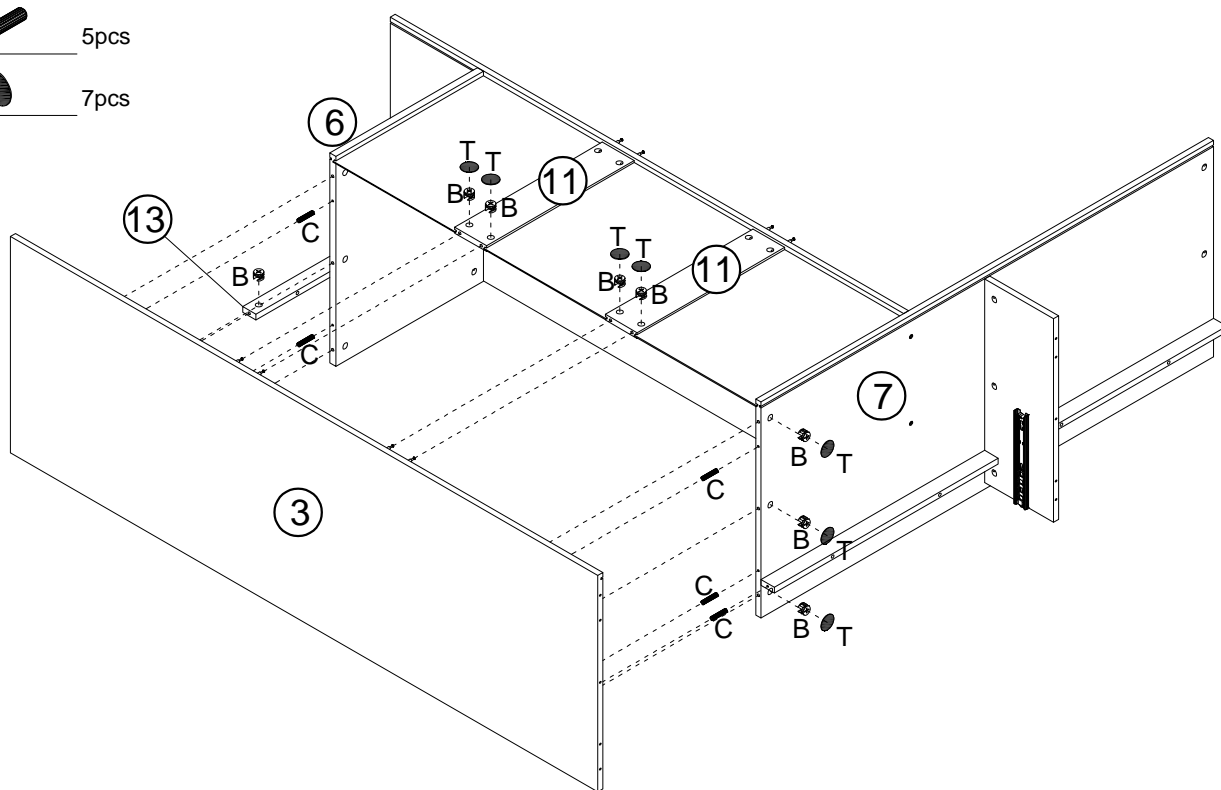


## Step 10

(B)  8pcs

(C)  5pcs

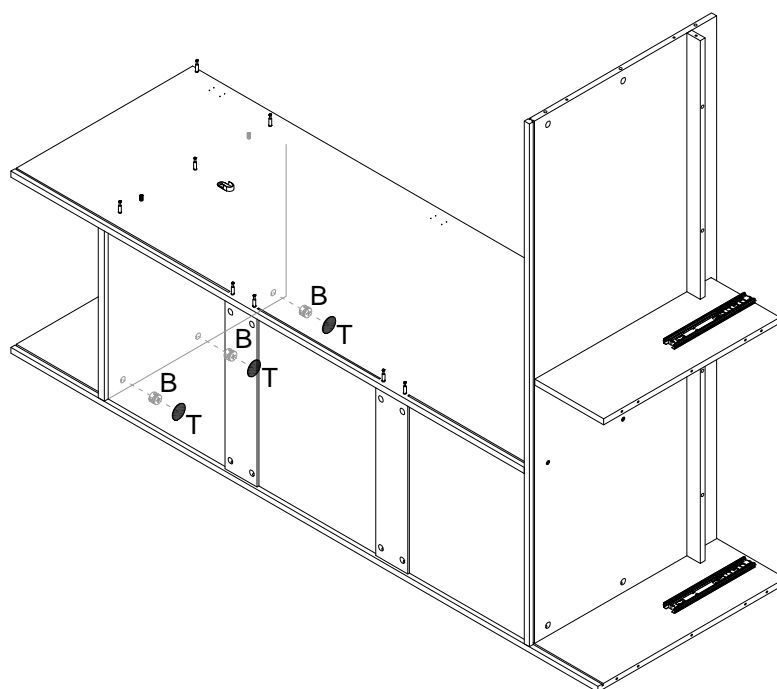
(T)  7pcs





## Step 11

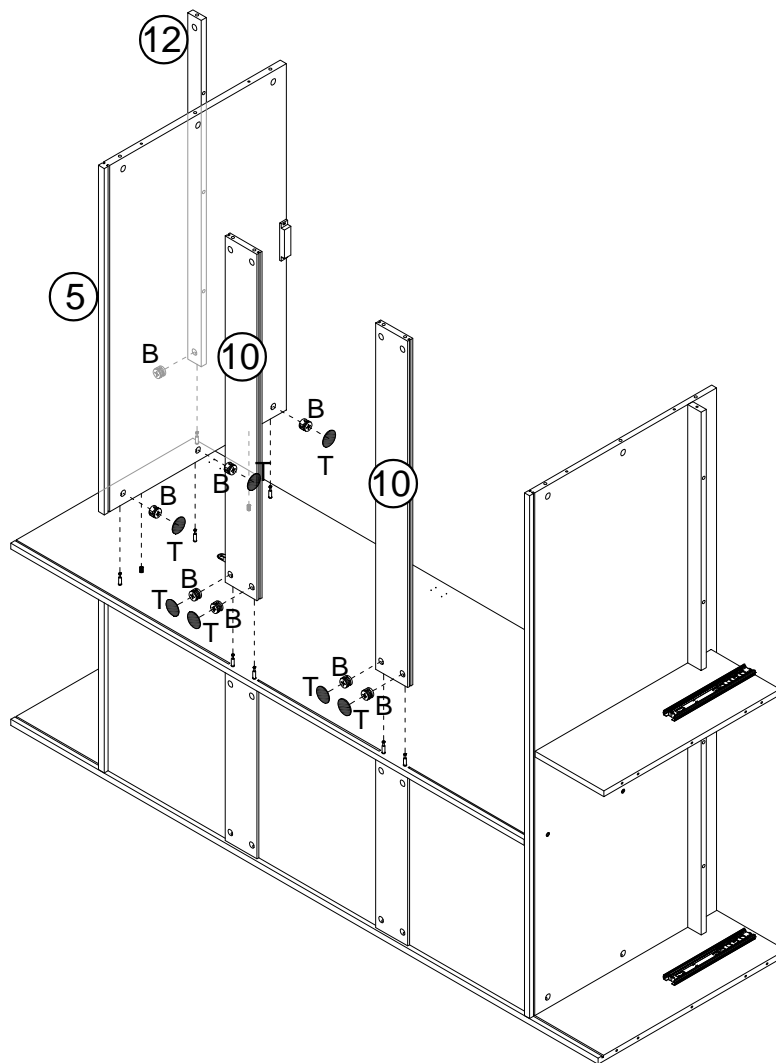
(B)  3pcs

(T)  3pcs

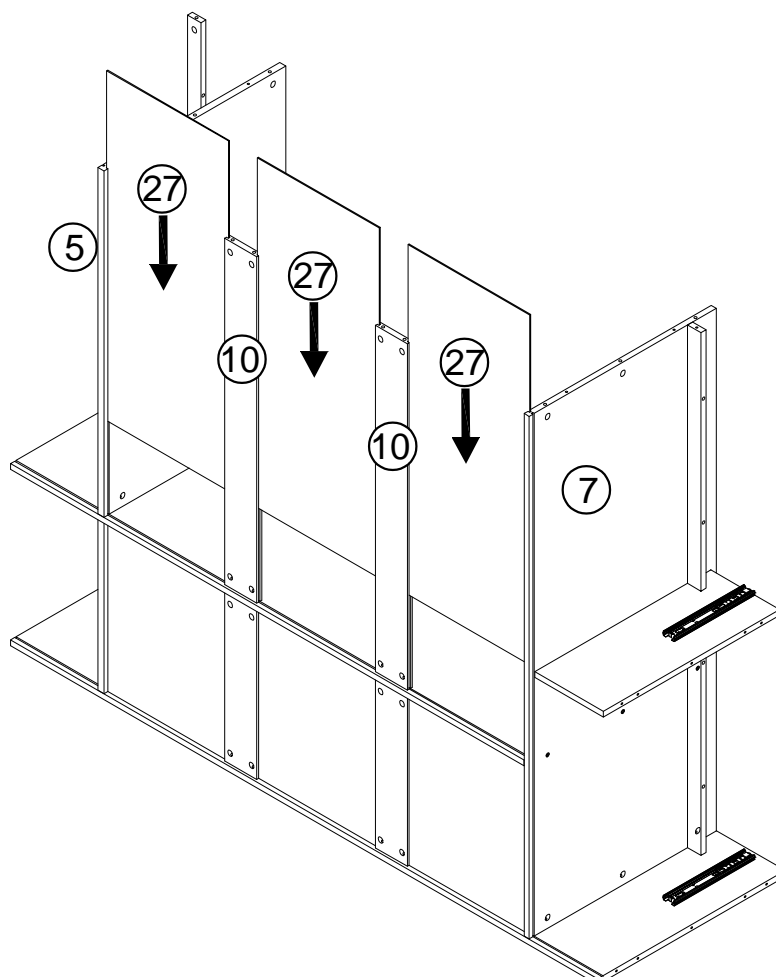


## Step 12




- (B)  8pcs  
(T)  7pcs

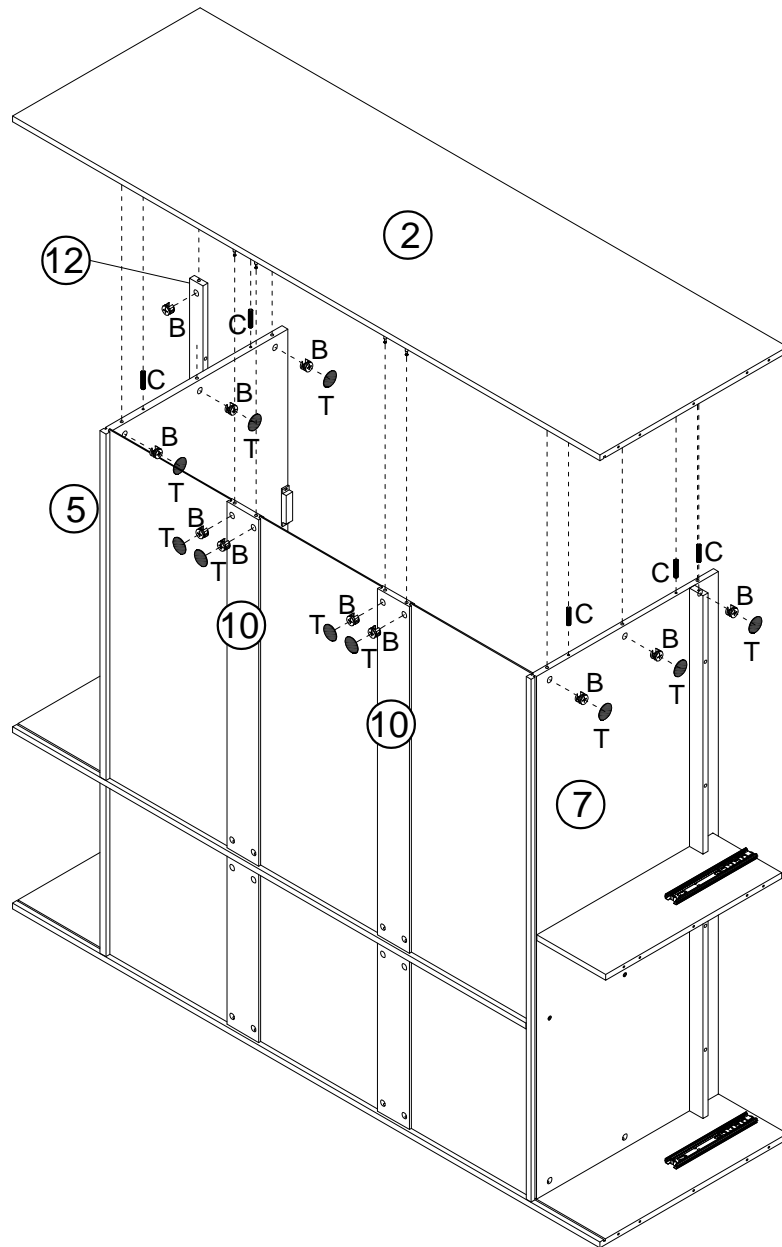


## Step 13

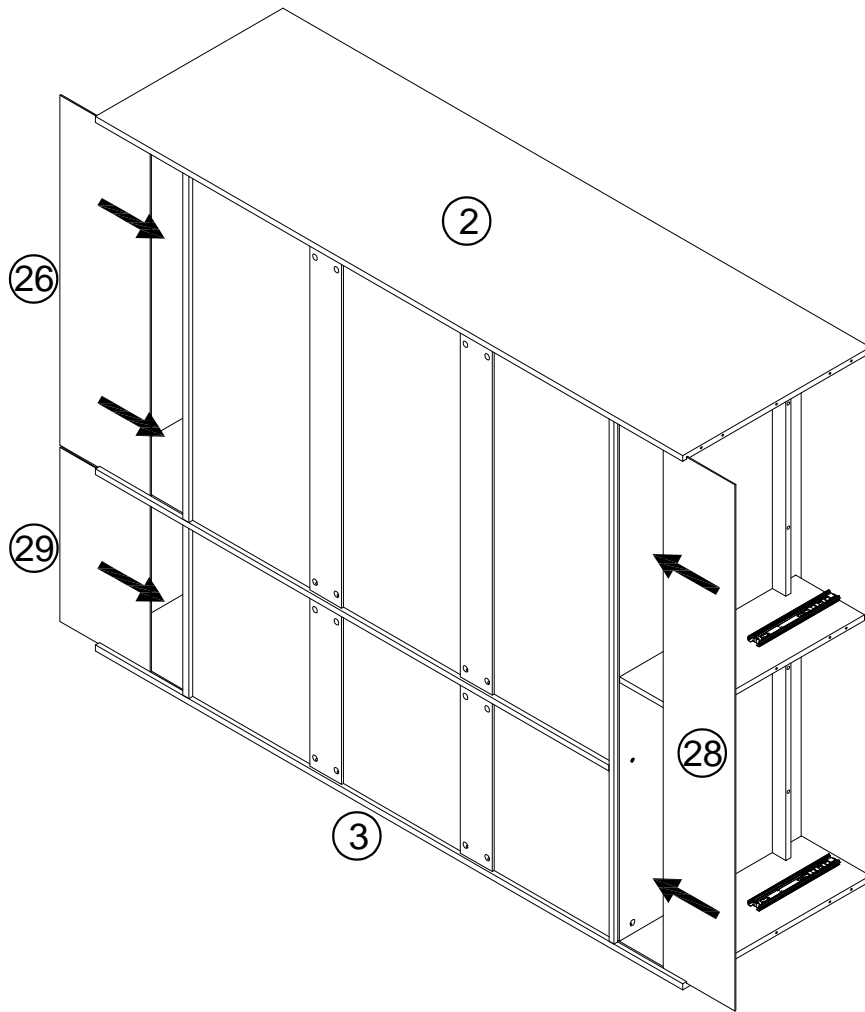


# Step 14



- B  11pcs
- C  5pcs
- T  10pcs

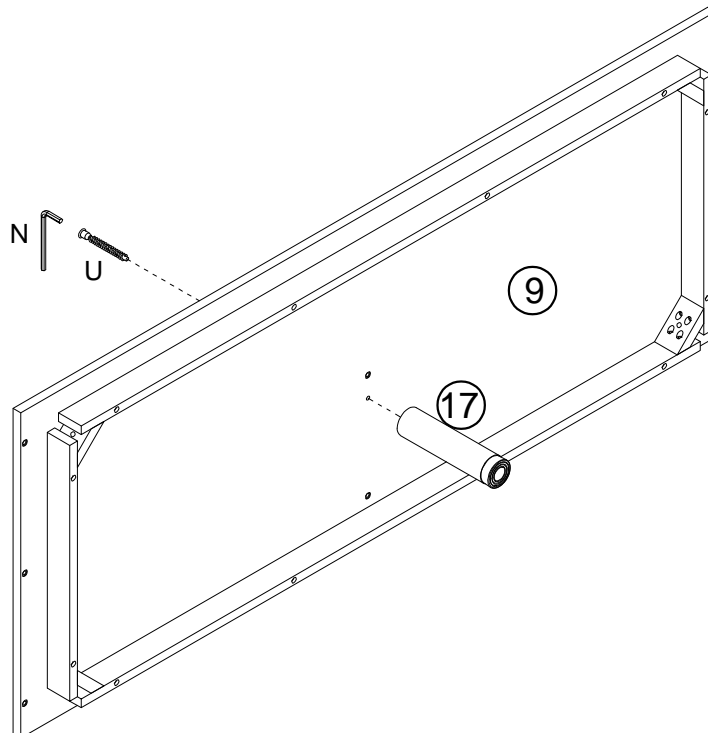
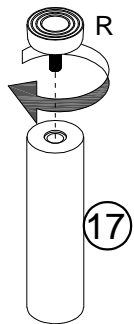


## Step 15



## Step 16

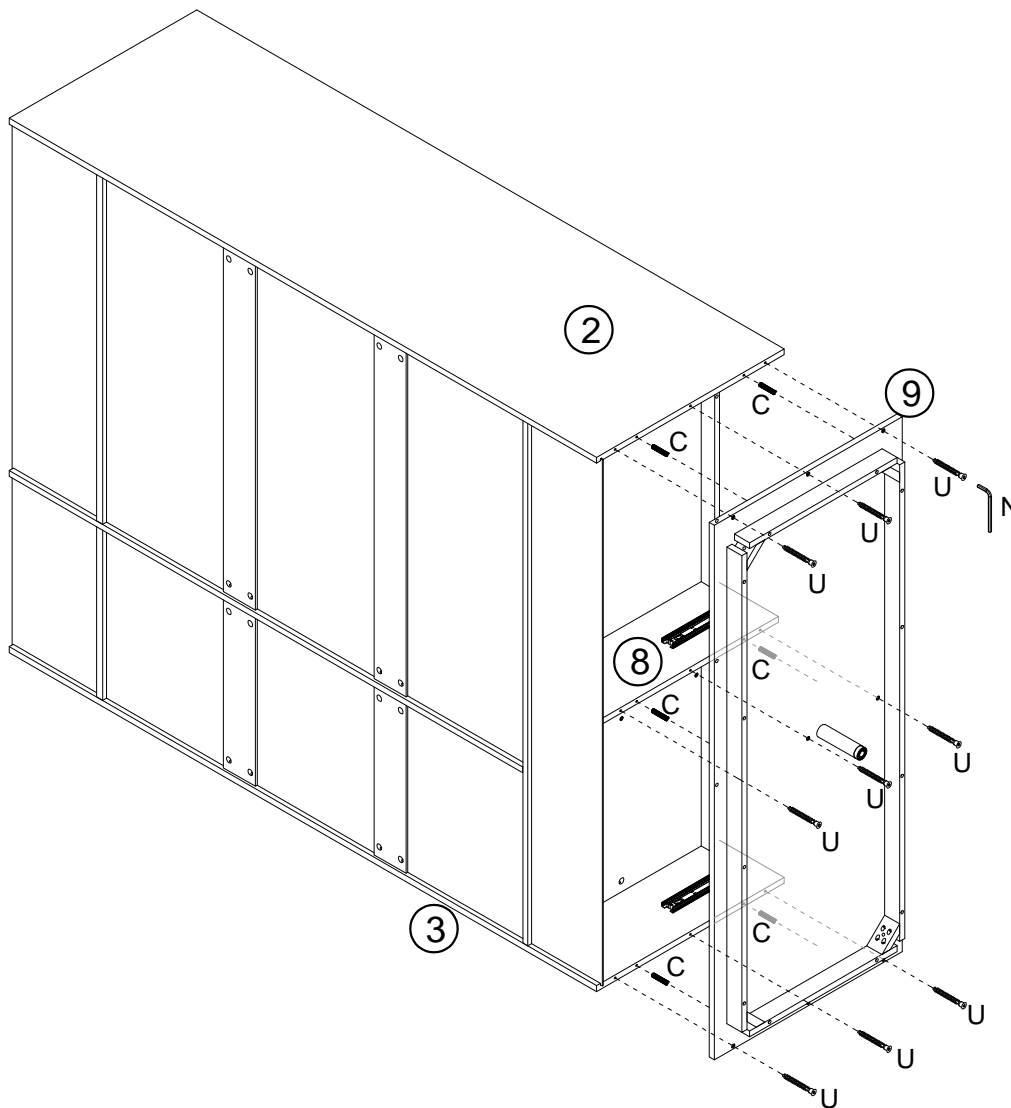
- Ⓡ  1pc
- Ⓢ  1pc



# Step 17

Ⓒ  6pcs

⒰  9pcs



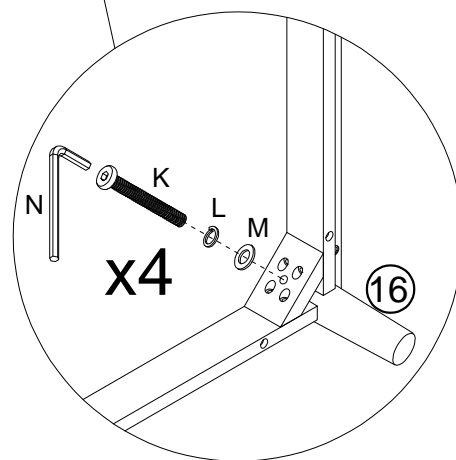
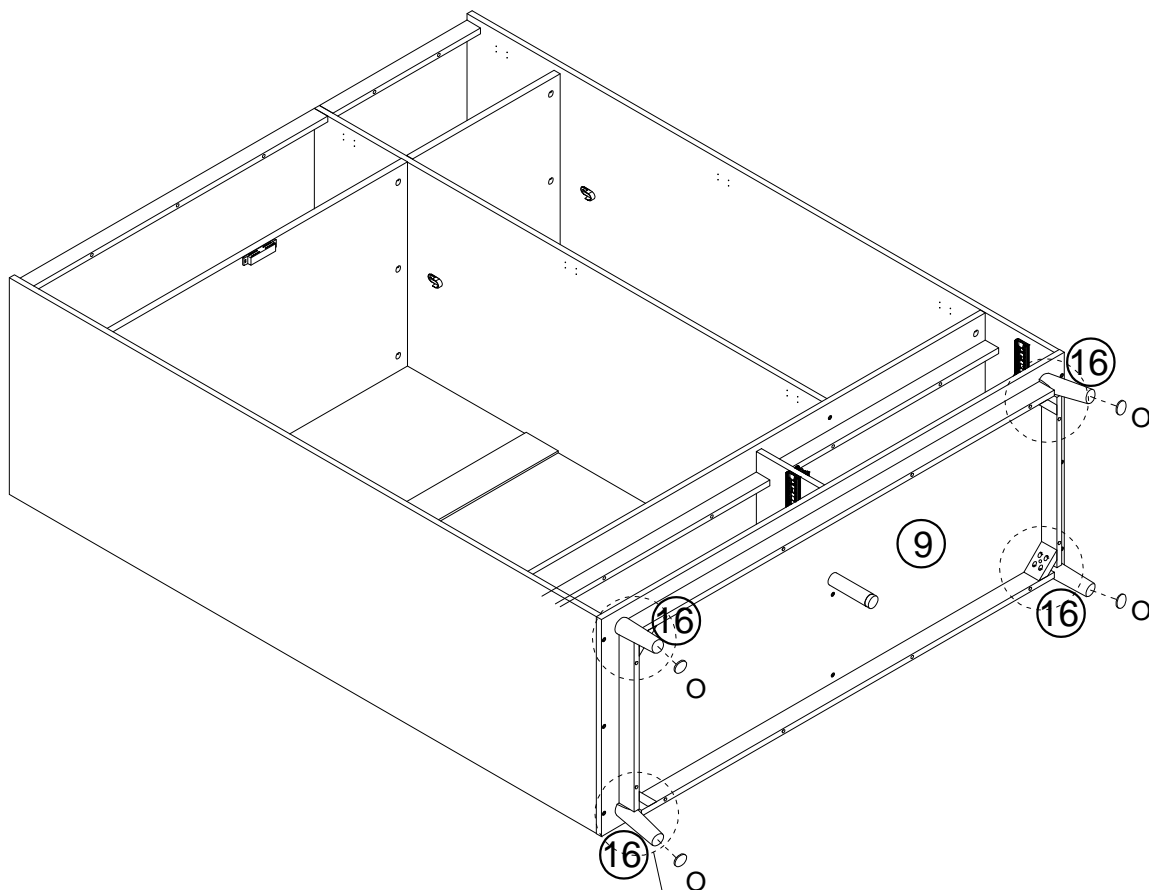
# Step 18

(K)  4pcs

(L)  4pcs

(M)  4pcs

(O)  4pcs





# Step 19

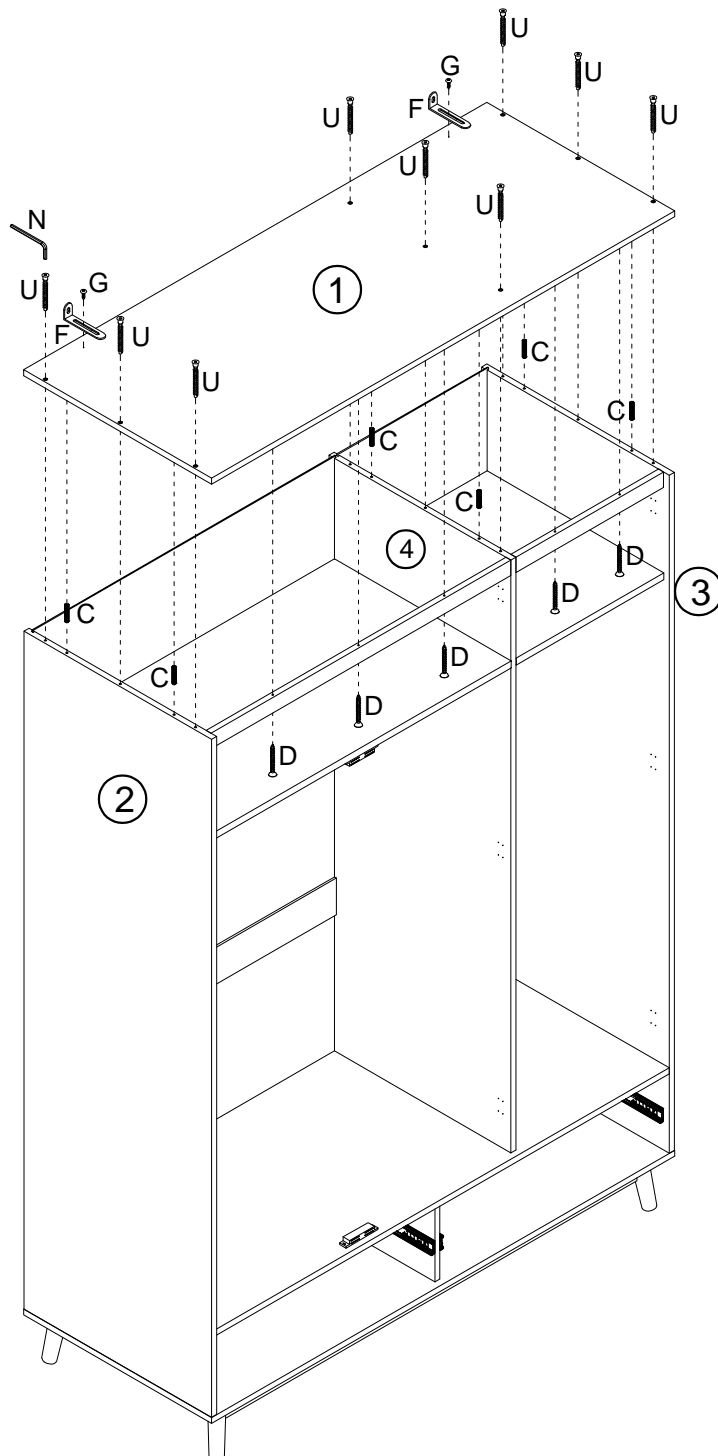
Ⓒ  6pcs

Ⓓ  5pcs

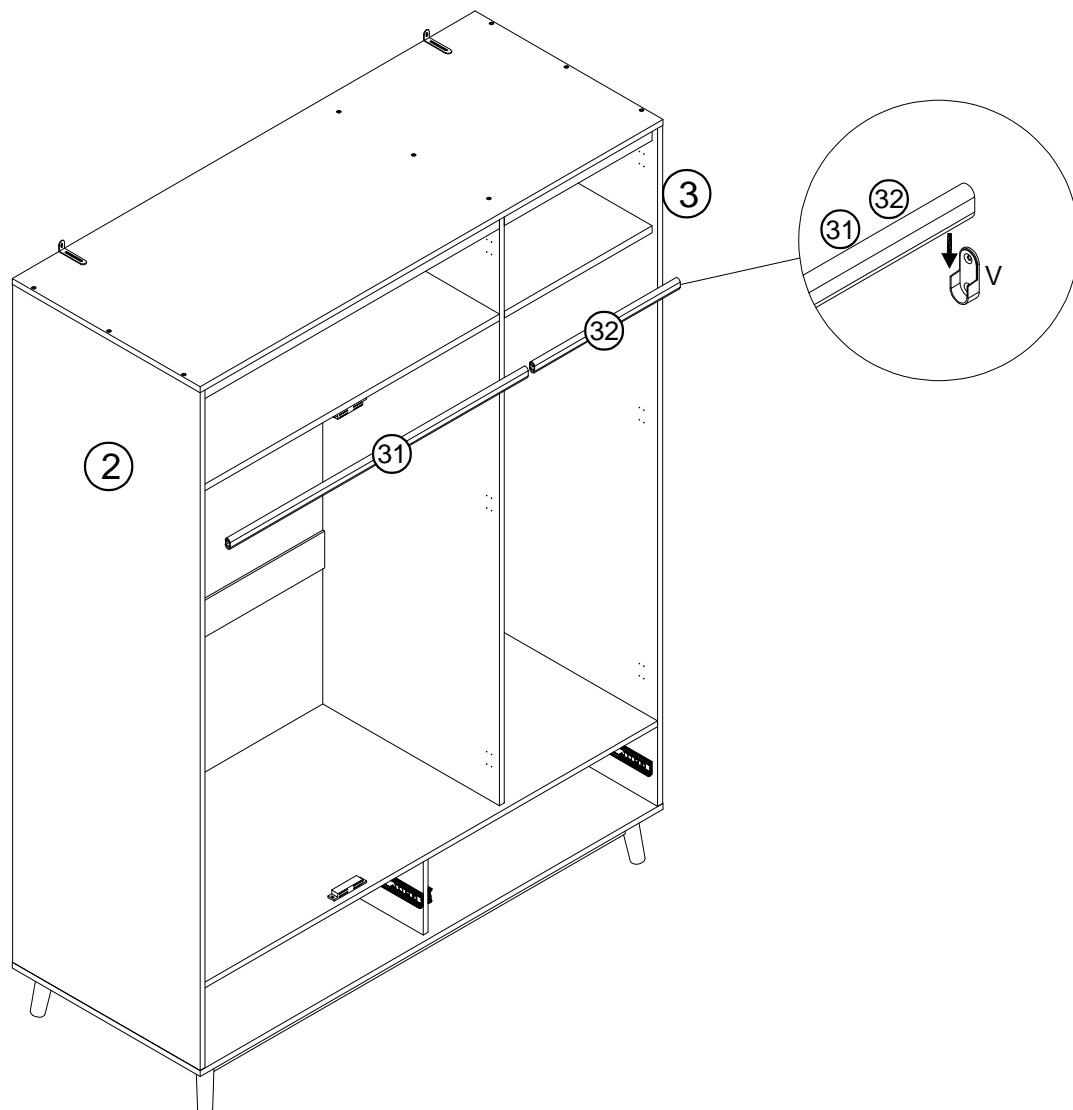
Ⓕ  2pcs

Ⓖ  2pcs

⒰  9pcs

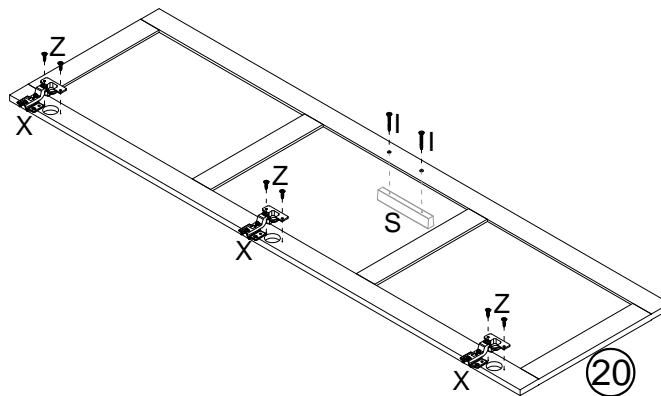
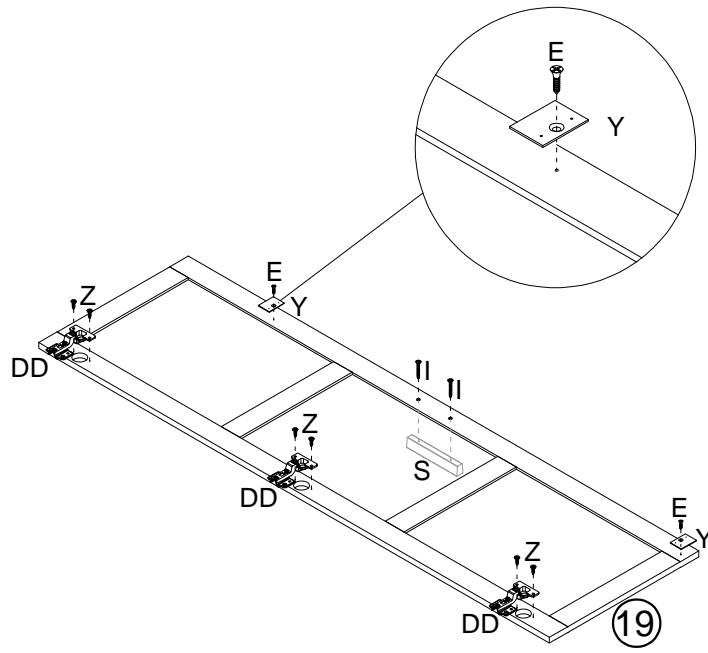
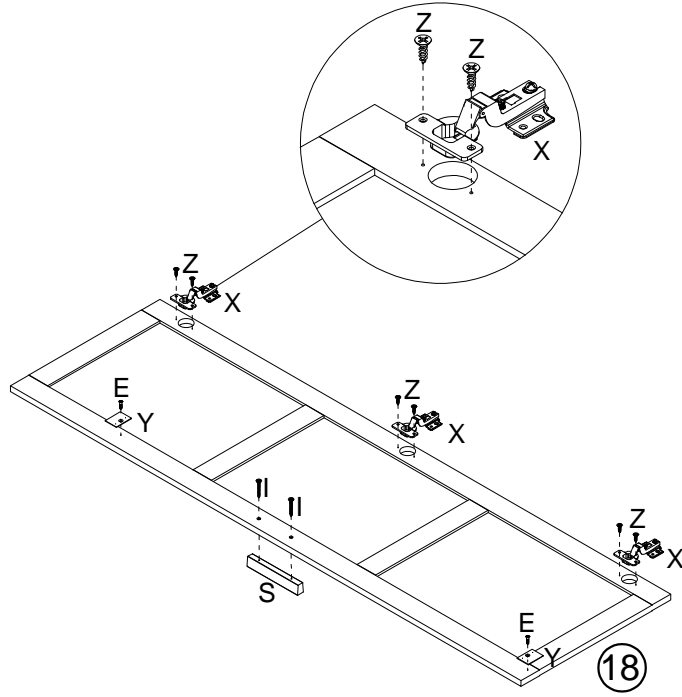


# Step 20




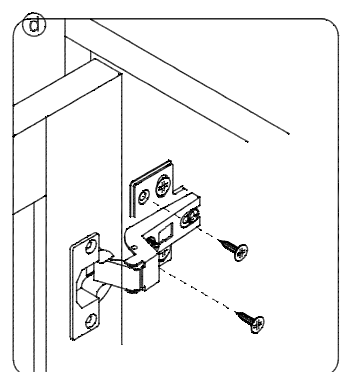
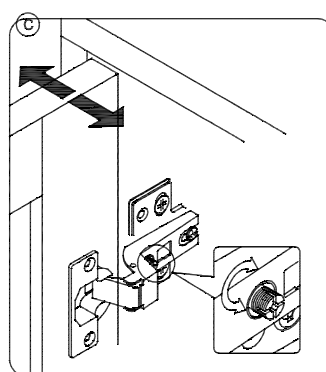
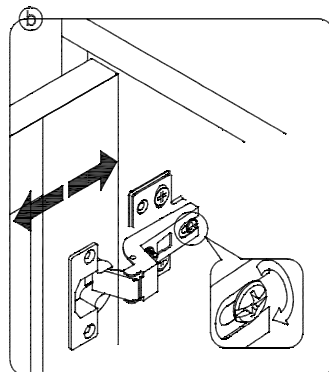
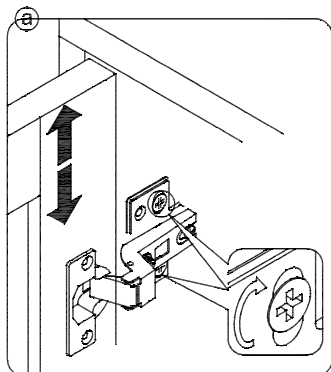
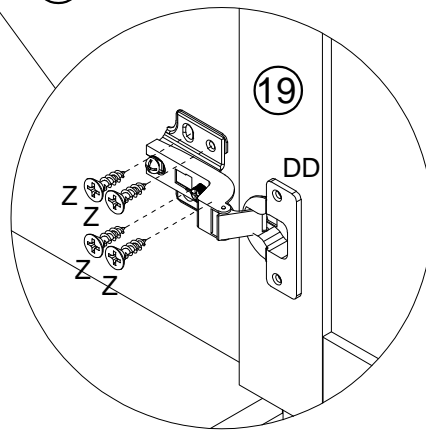
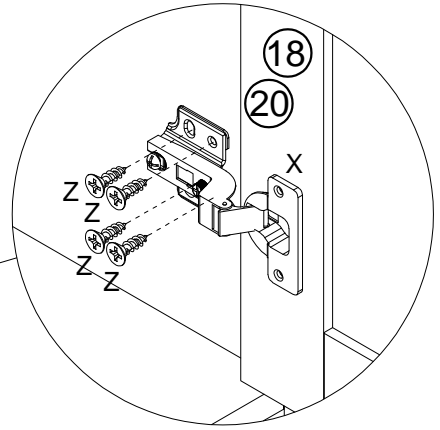
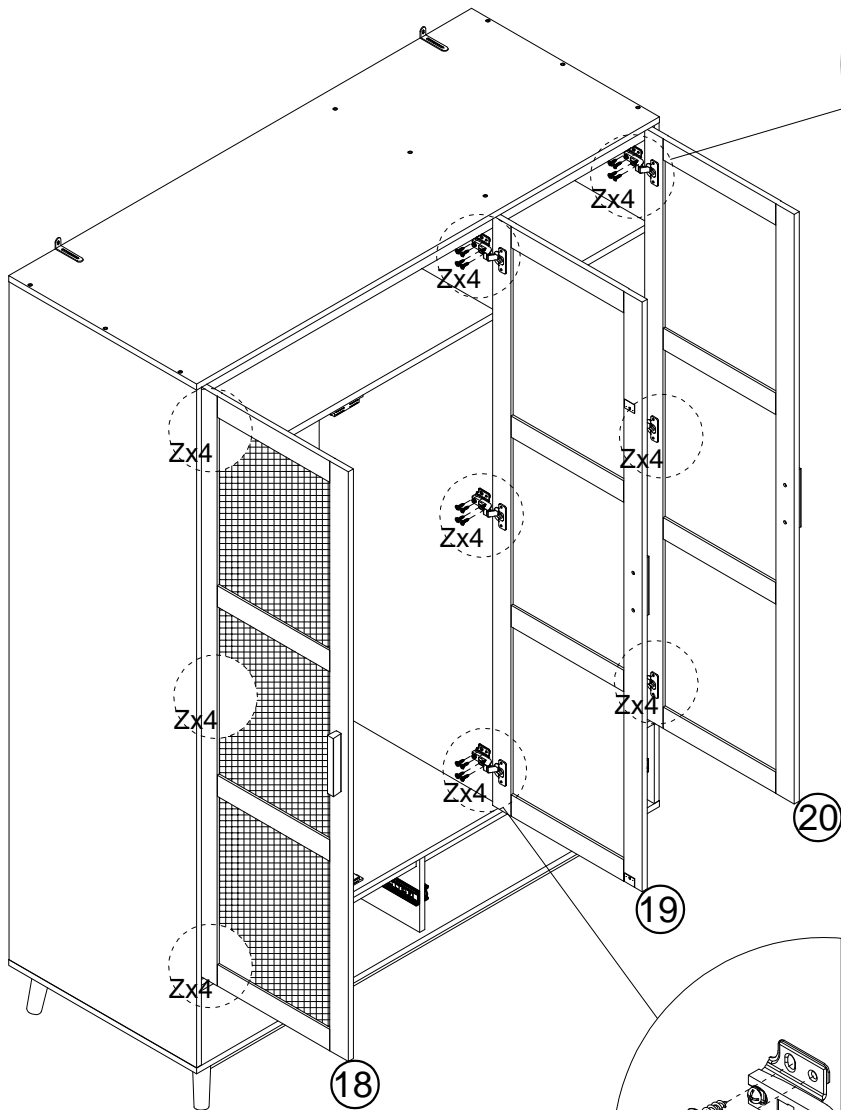
# Step 21

- Ⓔ 4pcs
- Ⓘ 6pcs
- Ⓢ 3pcs
- ⓧ 6pcs
- Ⓨ 4pcs
- Ⓩ 18pcs
- ⒹⒹ 3pcs



# Step 22

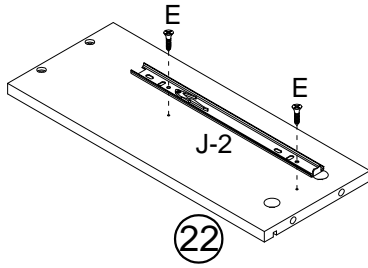
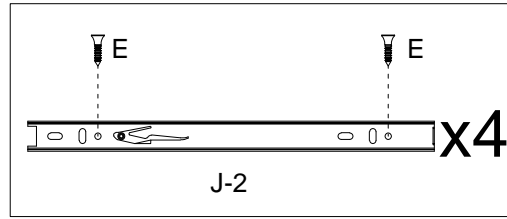
 36pcs



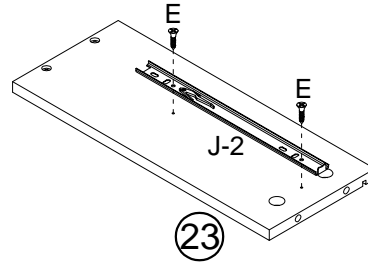
## Step 23

Ⓔ 8pcs

Ⓙ-2 4pcs



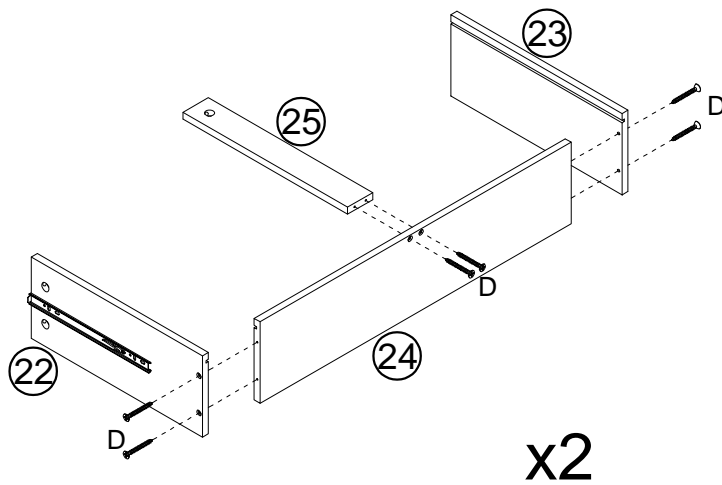
x2



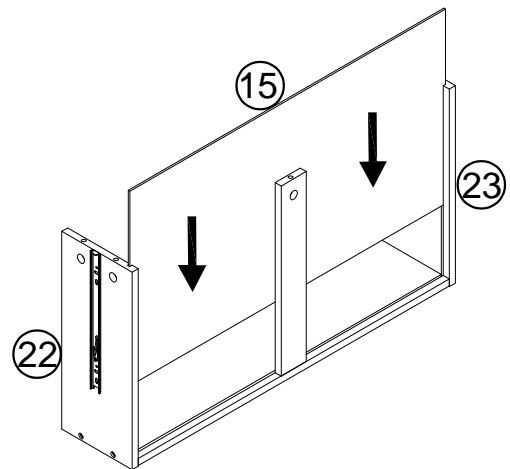
Ⓔ

## Step 24




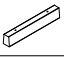

Ⓓ 12pcs

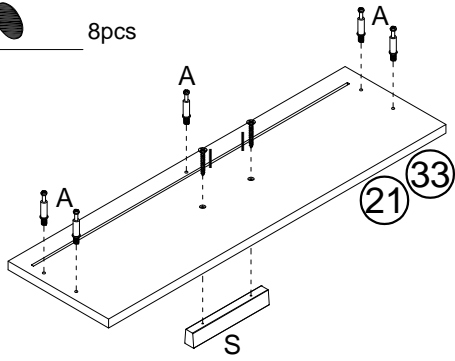


x2

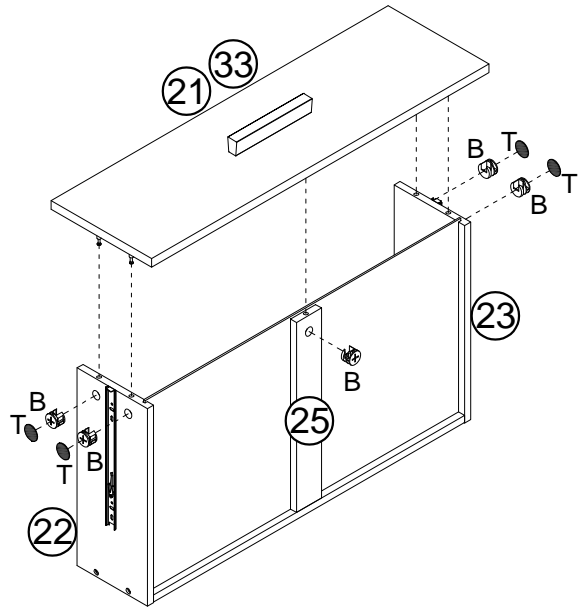


## Step 25

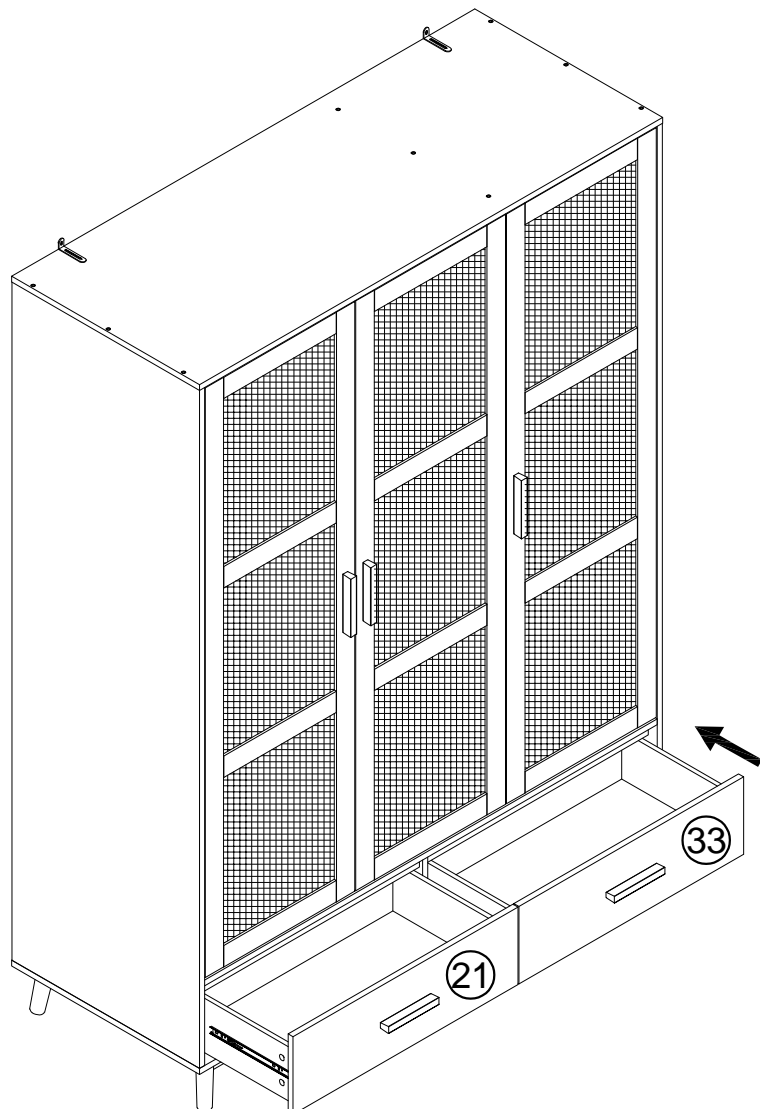
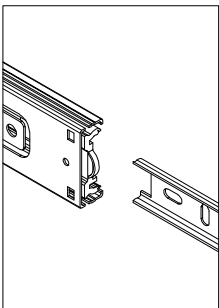
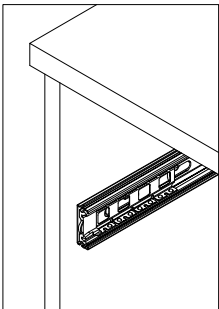
- (A)  10pcs
- (B)  10pcs
- (I)  4pcs
- (S)  2pcs
- (T)  8pcs



x2



## Step 26

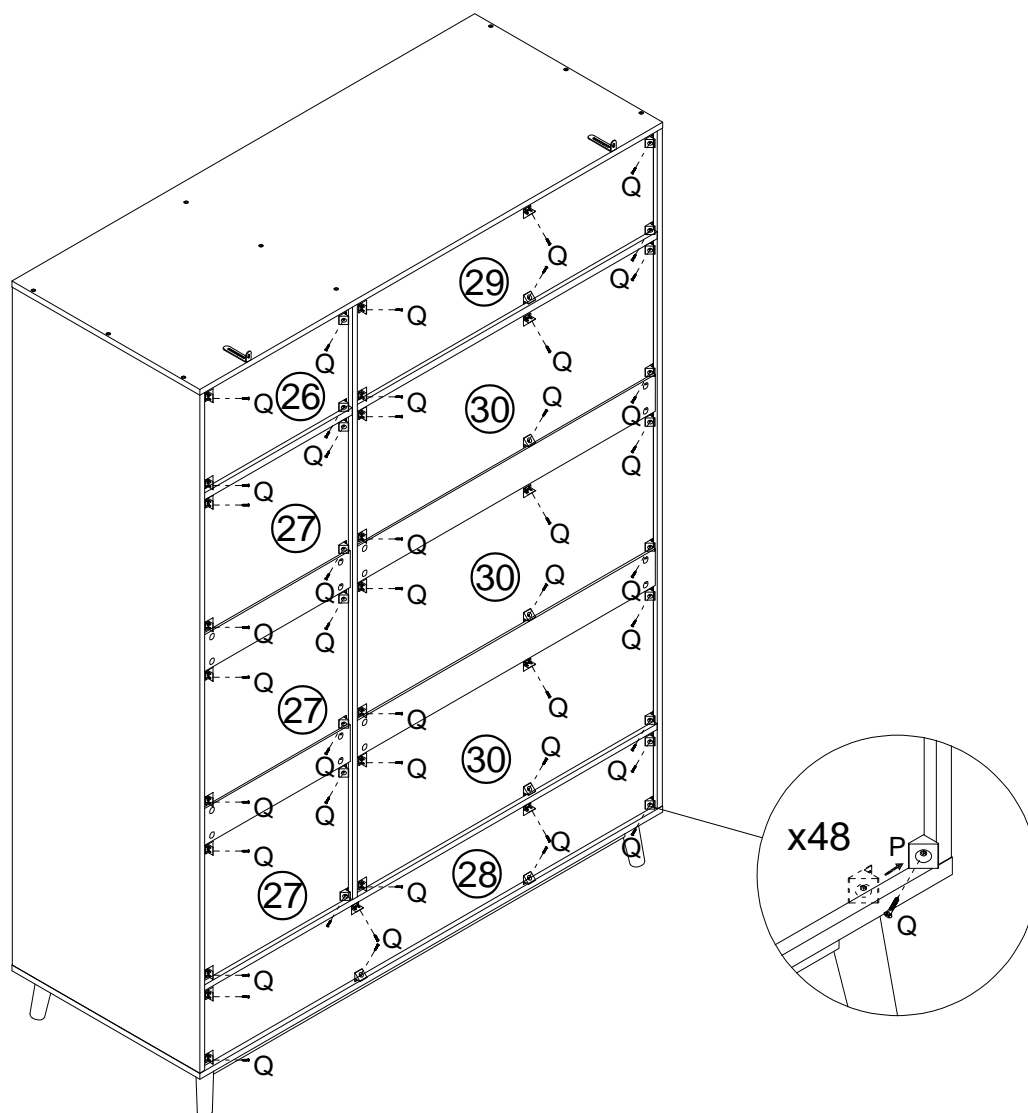


## Step 27

Ⓟ  48pcs

Ⓠ  48pcs

Manually adjust the frame slightly to ensure the drawers are in the correct position, even and parallel before attaching the plastic buckles



# Step 28

- ⓓ 2pcs
- ⓓ 2pcs
- ⓐⓐ 2pcs

