

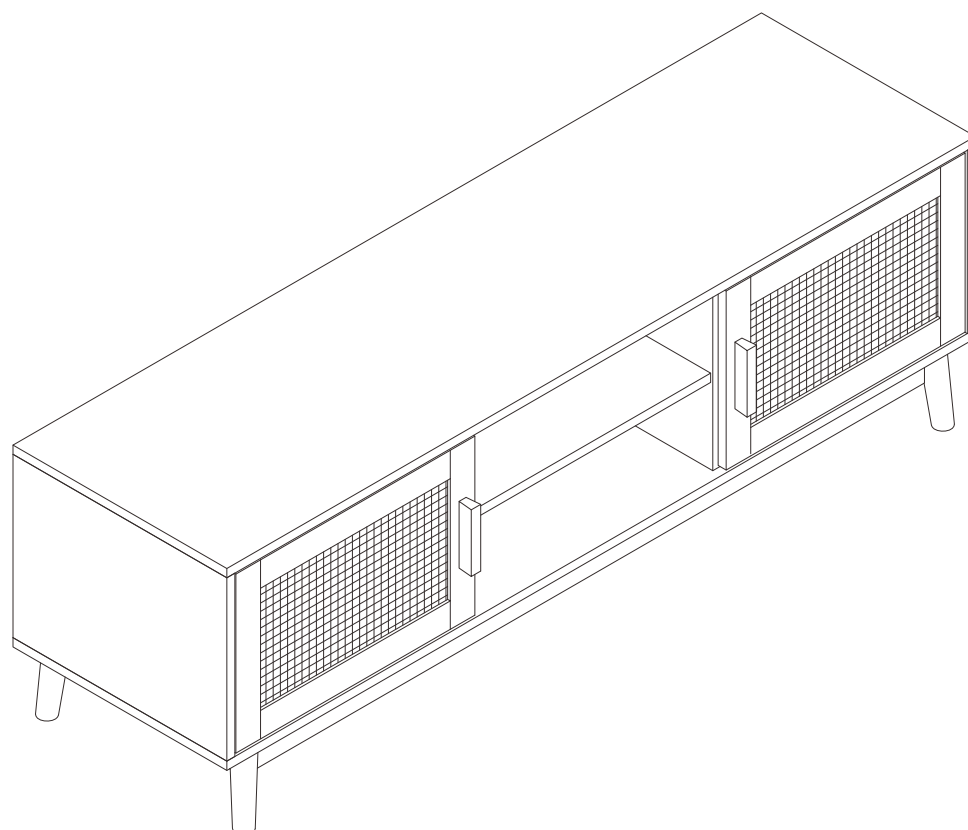
DUSK.COM

LIVING | BEDROOM | DINING

Range Name:Isla

Product Dimensions:L140 x W40 x H45 (cm)

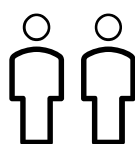
TV Unit



THIS INSTRUCTION BOOKLET CONTAINS IMPORTANT SAFETY INFORMATION
PLEASE READ AND KEEP FOR FUTURE REFERENCE.



45 minutes approx
assembly time



Two adults
assembly required

This product is intended for domestic use only, not for commercial purposes.

Page 1

Important

Assembly Tip

Before you begin, we advise laying everything out on a clean and soft level surface to avoid damaging the unit or your floor. It's best to identify all of the parts and fittings to build your TV unit, and to familiarise yourself with all of the parts and fittings before building.

Top Tip

We recommend that you build your new TV unit in the room you'd like it to be located. This will help prevent any risk of damage to the product whilst moving it.

Safety and Care

1. It's important to ensure children and animals are kept away from the assembly area, as there are small components used in this TV unit which could present a choking hazard. All plastic and wrapping materials should also be kept away from children and animals to prevent any risk of suffocation.
2. Do not stand on your product.
3. Always use the item on firm level ground, ensuring all legs remain in contact with the ground.
4. Place heaviest items in the lowest drawers.
5. Do not set TV or other heavy objects on top of the product.
6. Children should always be under supervision whilst using this product. Never allow children to climb on the drawers.
7. Never keep more than one drawer open at the same time.
8. The installation of anti tipping kit to secure your furniture is strongly suggested.
9. Serious or fatal crushing injuries can occur from tipping furniture.

Help and Support

Please contact our customer service team on 0113 519 0311 if you have any questions or issues with your purchase.

Recycling

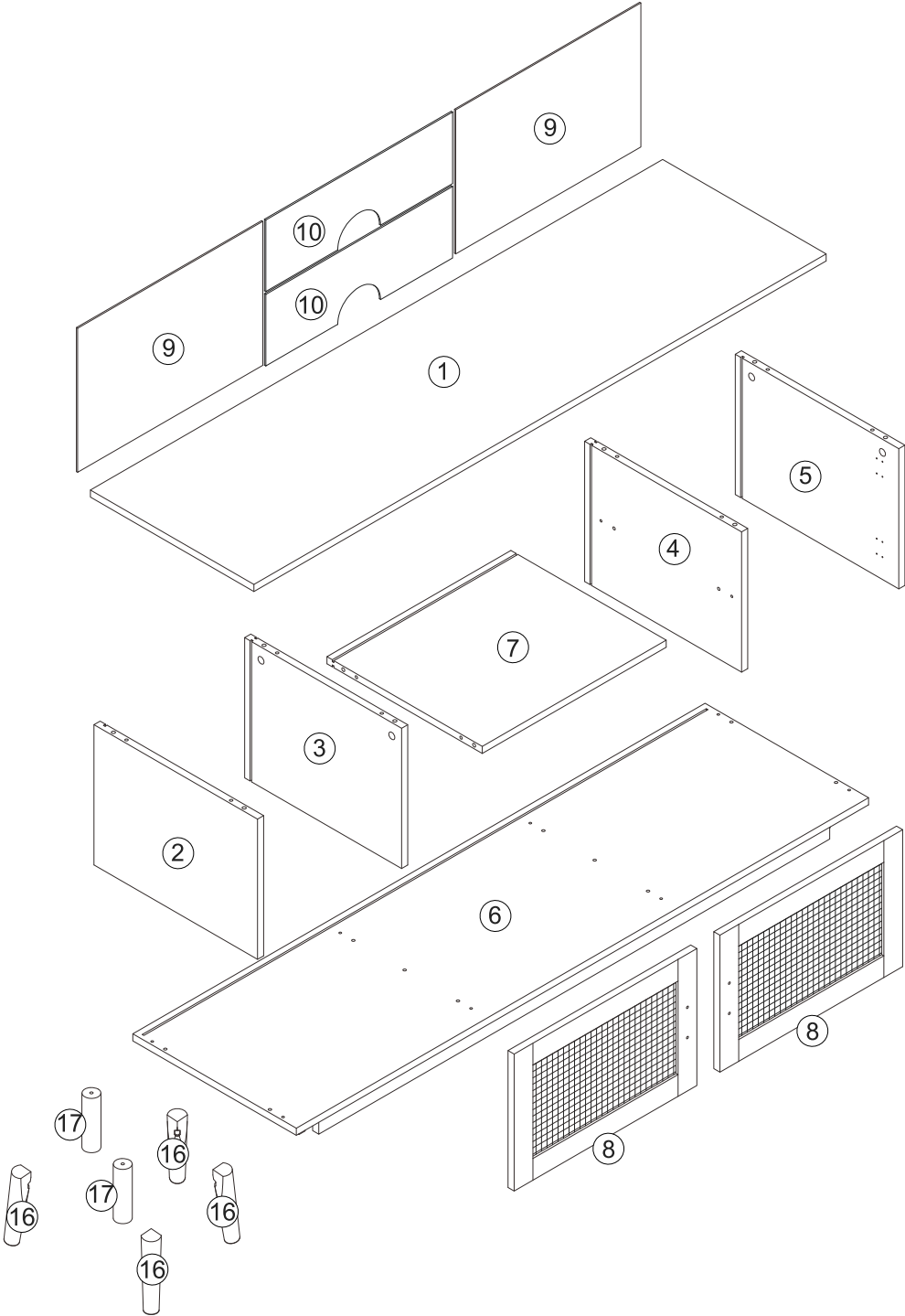
Please ensure that packaging is disposed of in a safe and environmentally friendly way, and recycle where possible. Please keep your assembly instructions safe to refer back to in the future.

Care and Maintenance

1. Only clean using a damp cloth, do not use bleach or abrasive cleaners as they may damage the finish over time.
3. Do not scrub or rub the surface when cleaning.
2. Do not use a very wet cloth or allow any liquid to contact with the veneer for a long period of time. Wipe any spillage immediately. Absorption can cause wood to warp or finishes to de-laminate.
4. Do not drag the TV unit when moving, lift it off the floor instead.
5. Use a placemat or a coaster when putting hot items (e.g. hot drinks and dishes) on the wood surface.
6. It is not recommended to place the item next to sources of heat such as radiators, fires or directly exposed to sunlight. This may cause the wood to crack, split or fade due to the change of the humidity and temperature.
7. Wood will mellow and change colour over time, we recommend that ornaments and items placed on the surface to be moved regularly to prevent uneven mellowing.
8. Regularly check all fixings to ensure none have come loose. Re-tighten if necessary.
9. Avoid sharp items such as a screwdriver or any pointy tools.

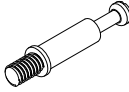
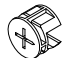
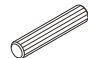
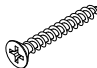


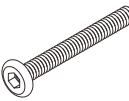


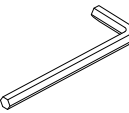

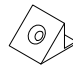

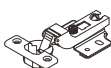

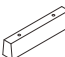


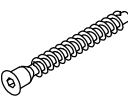
Parts checklist

Please check you have all the parts listed below with your product:
Do not discard any of the packaging until you have checked that you have all the parts and the pack of fixings.

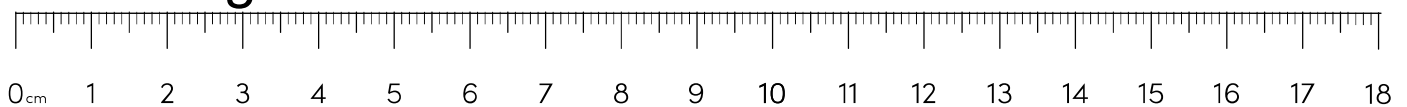


Fittings checklist

Please check you have all the fittings listed below with your product:

 <p>A 36mm Cam boltx12pcs(+ 1 extra)</p>	 <p>B M15x9.5mm Camx12pcs(+ 1 extra)</p>	 <p>C M6x30mm wood dowel x20pcs(+ 1 extra)</p>
 <p>D M4x35mm Screw x8pcs(+ 1 extra)</p>	 <p>E M4x30mm Screw x4pcs(+ 1 extra)</p>	 <p>F Adjustment feet x2pc</p>
 <p>G M6x50mm Screw x4pcs</p>	 <p>H Metal plate x4pcs</p>	 <p>I Metal plate x4pcs</p>
 <p>J L fitting x1pc</p>	 <p>K Felt pad x4pcs</p>	 <p>L Back bracket x12pcs</p>
 <p>M M3x14mm Screw x12pcs(+ 1 extra)</p>	 <p>N Hinge x4pcs</p>	 <p>O M4x14mm Screw x24pcs(+ 1 extra)</p>
 <p>P Handle x2pcs</p>	 <p>Q Sticker X 8pcs(+ 1 extra)</p>	 <p>R Pad X2pcs</p>
 <p>S M7x50mm Screw X2pcs</p>		

Bolt Length Ruler:




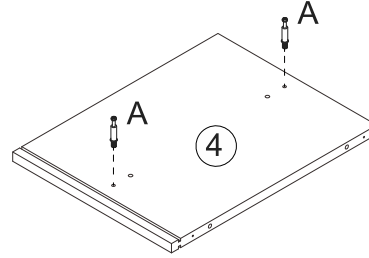
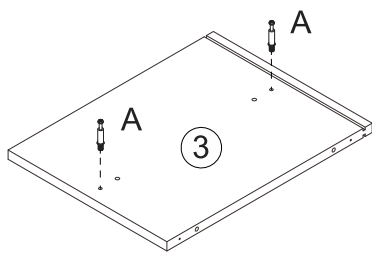
Tool required



Crosshead Screwdriver (not provided)

Step1

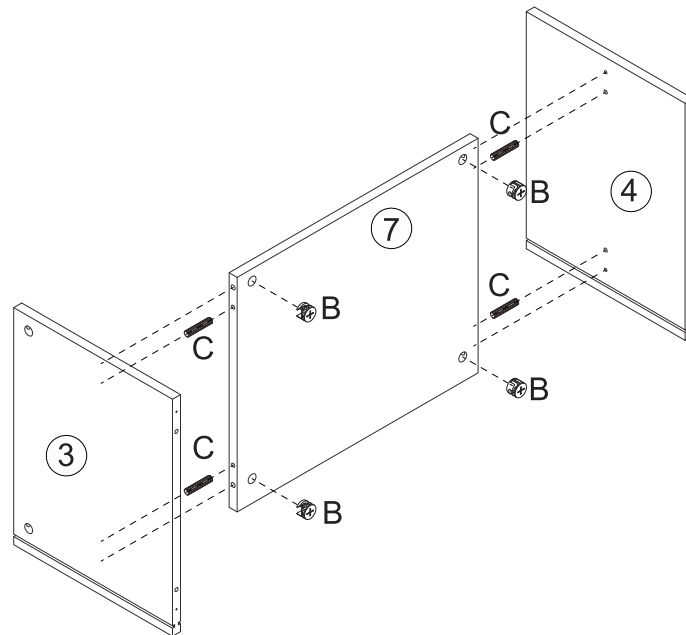
Ⓐ  4pcs



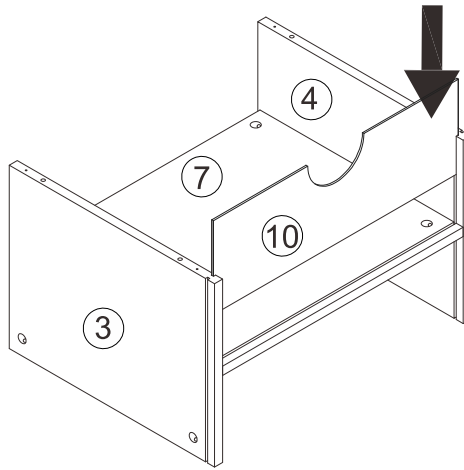
Step2

Ⓑ  4pcs




Ⓒ  4pcs

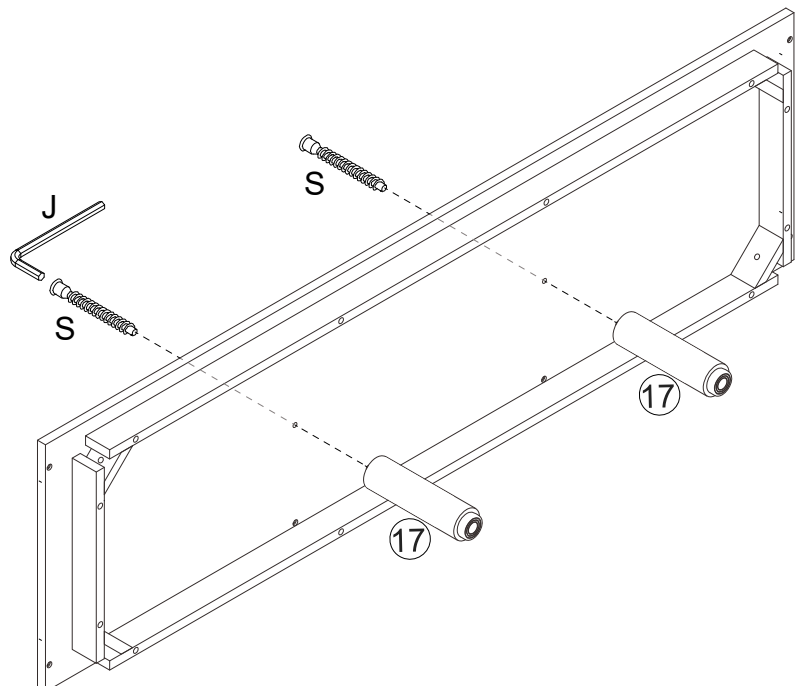
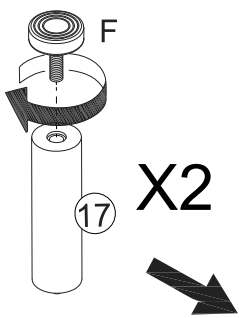


Step3



Step4

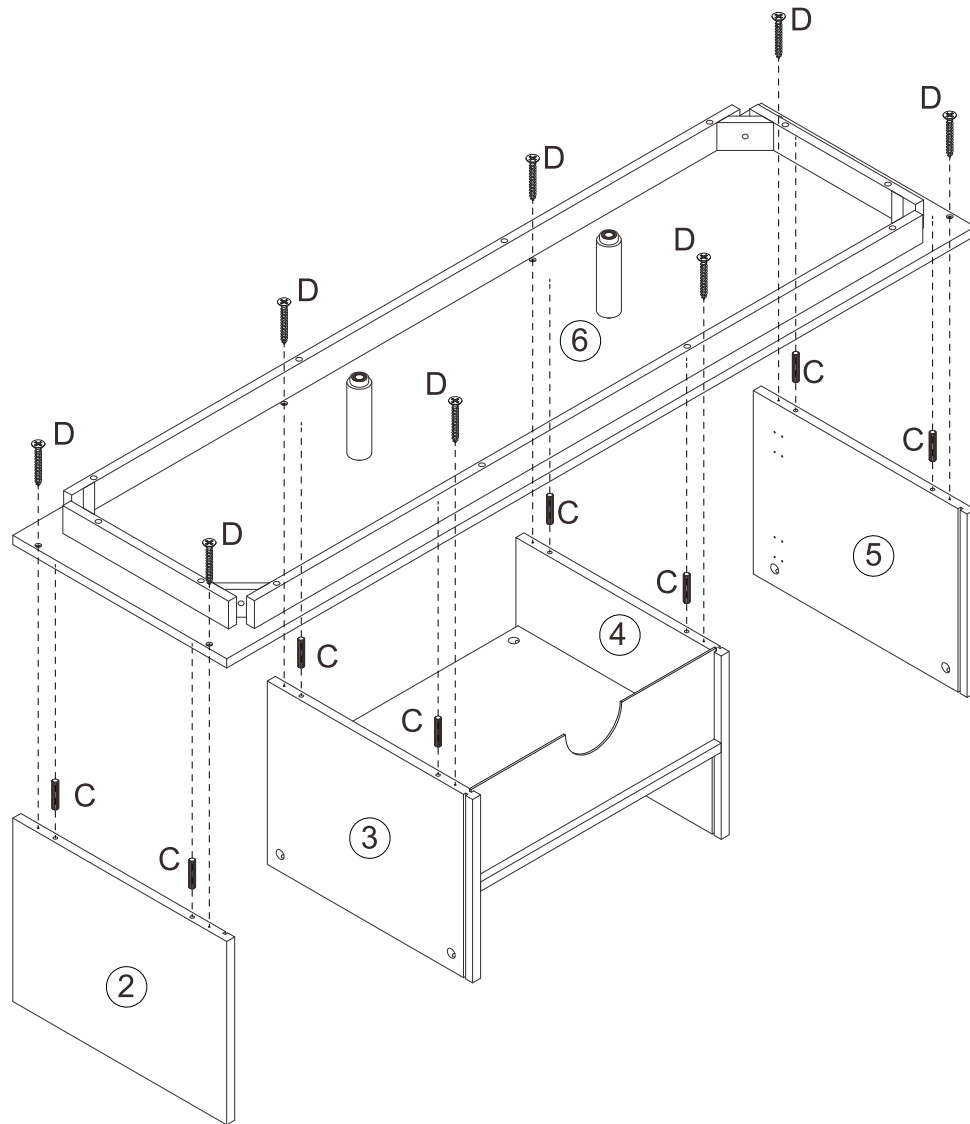
- ⓕ  2pcs
- ⓙ  1pc
- Ⓢ  2pcs



Step5

Ⓓ 8pcs

Ⓒ 8pcs



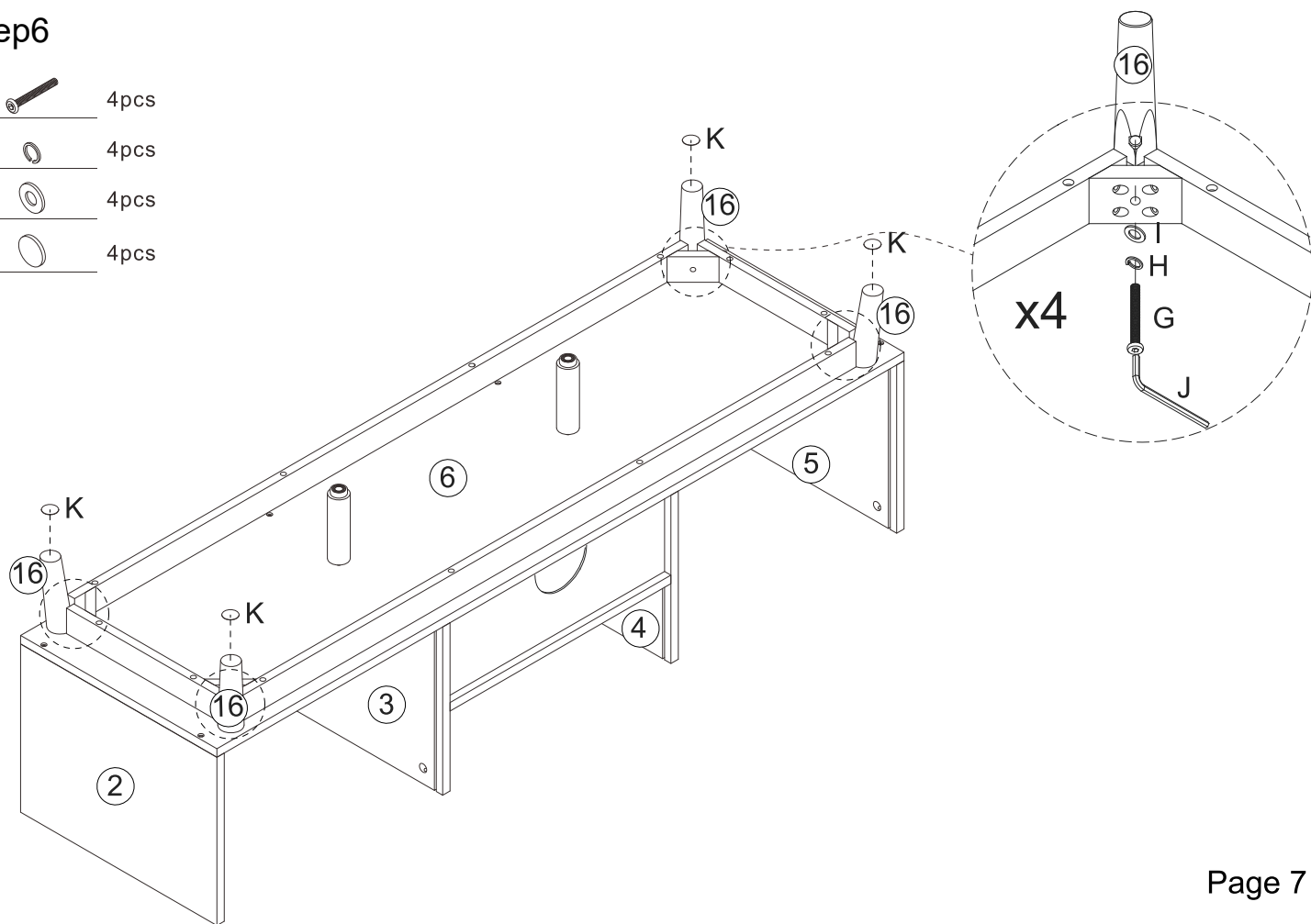
Step6

Ⓖ 4pcs

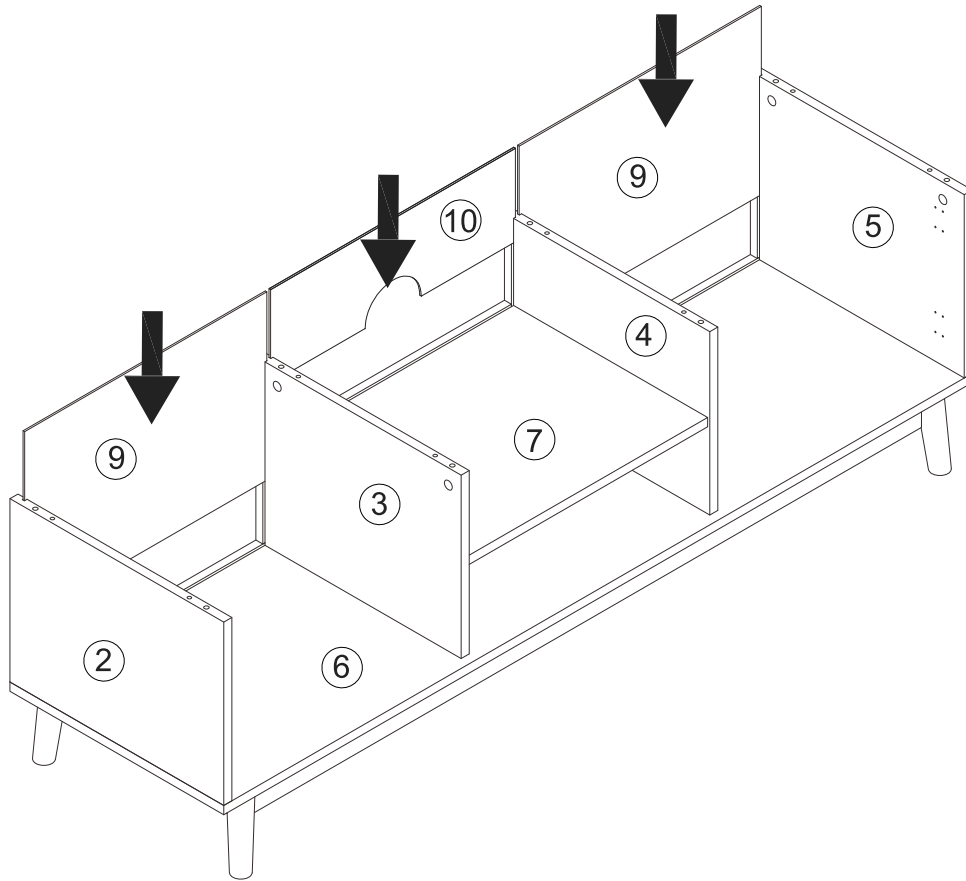
Ⓗ 4pcs

Ⓘ 4pcs

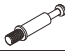




Ⓚ 4pcs

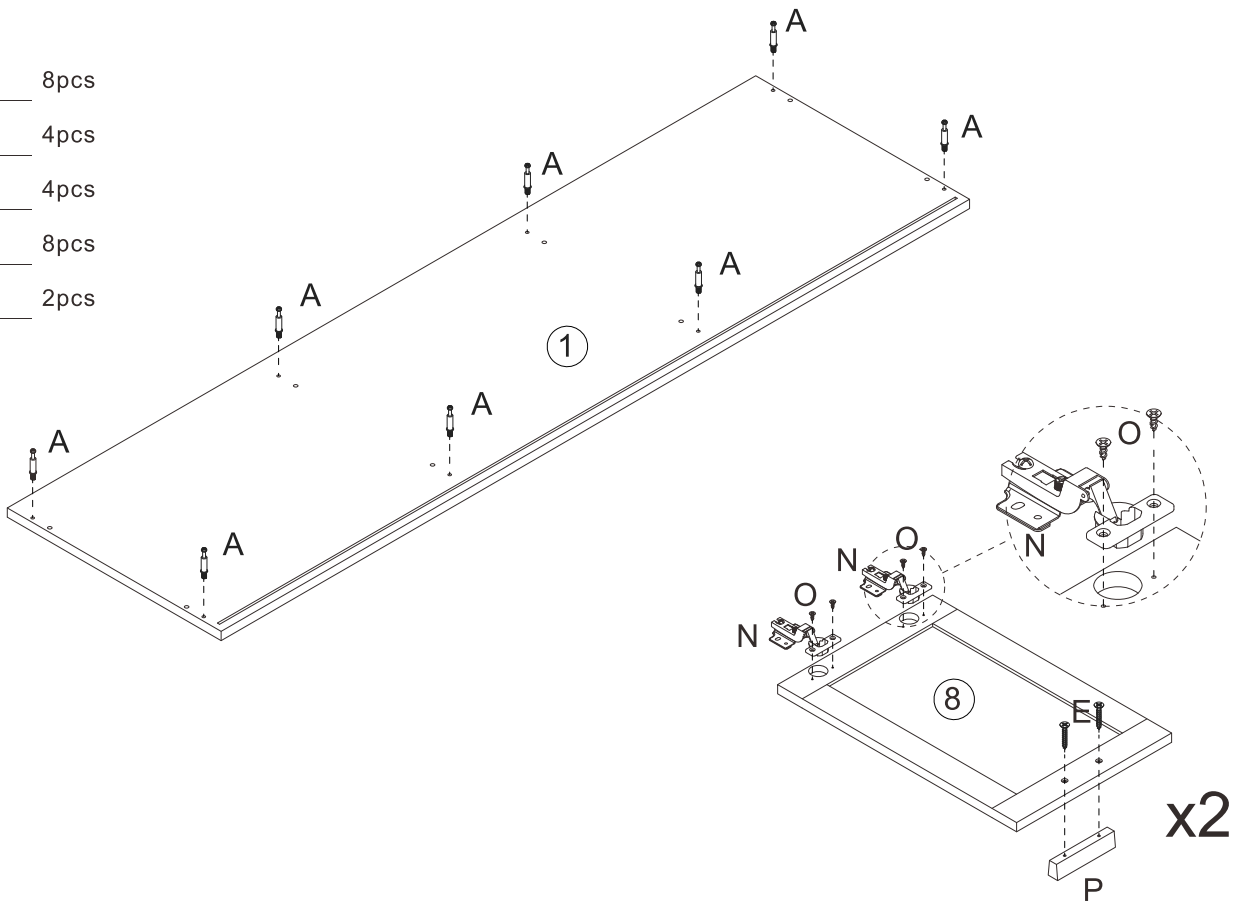


Step7



Step8

- (A)  8pcs
- (E)  4pcs
- (N)  4pcs
- (O)  8pcs
- (P)  2pcs

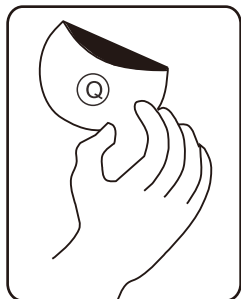
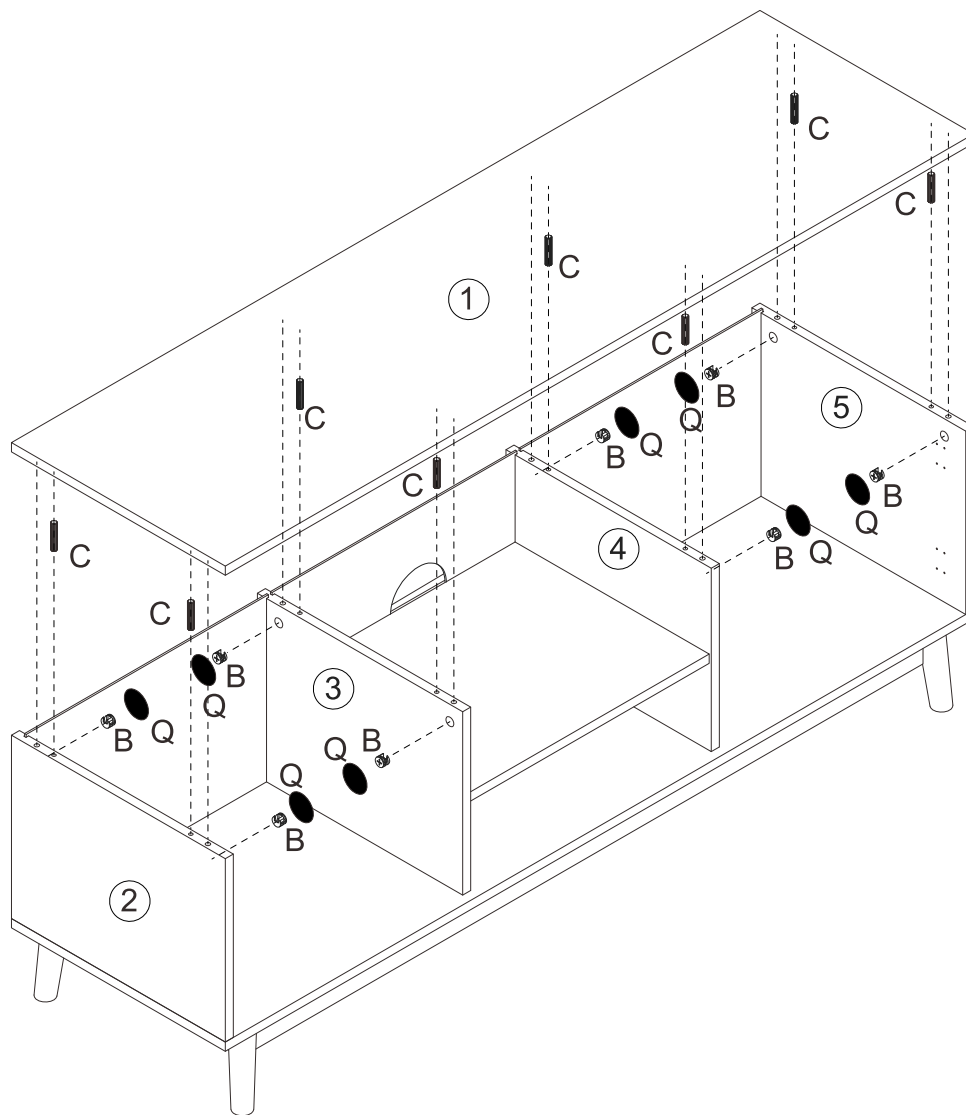


Step9

(B)  8 pcs

(C)  8 pcs

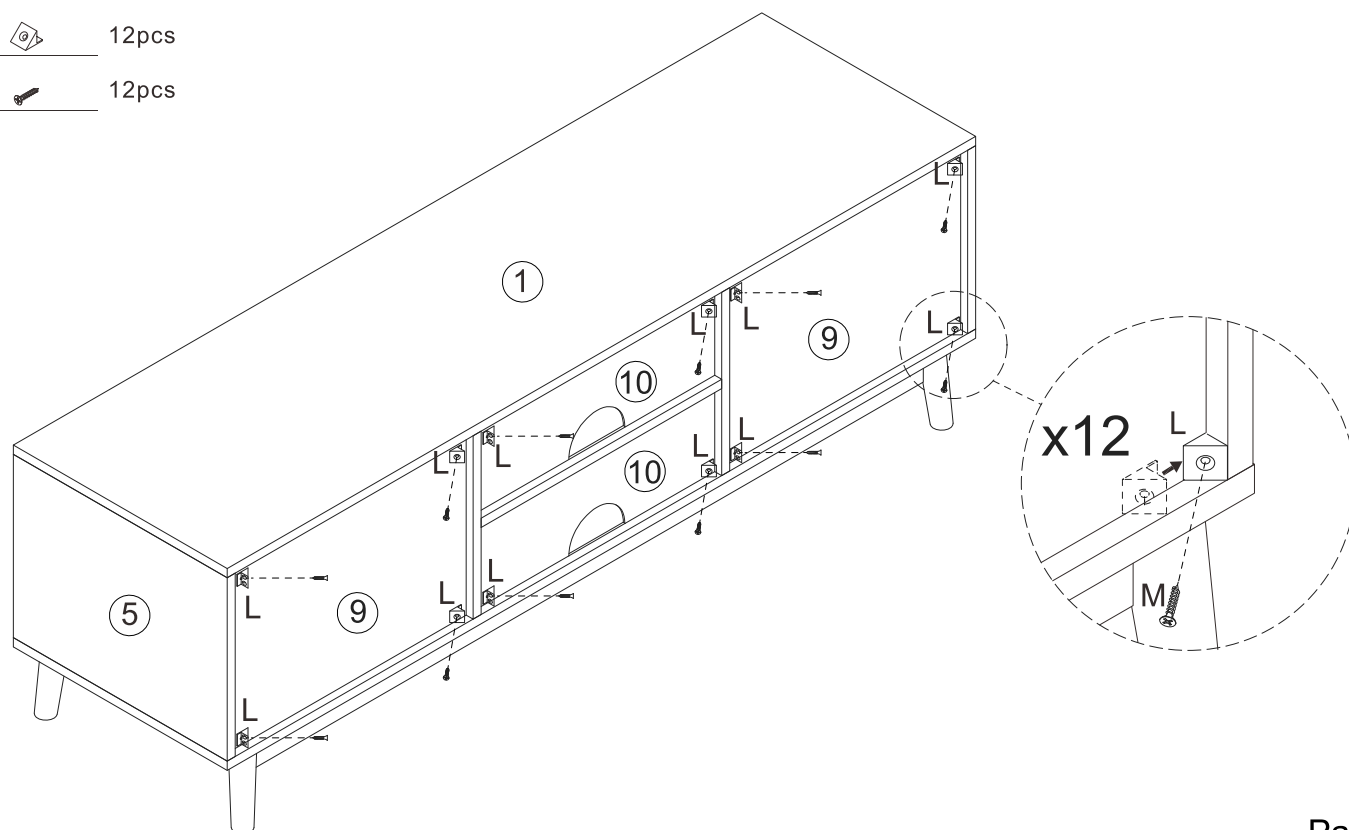
(Q)  8 pcs



Step10

(L)  12 pcs

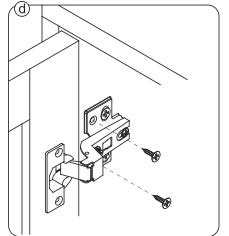
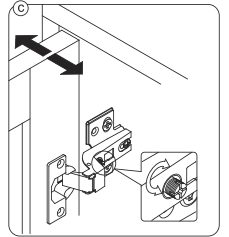
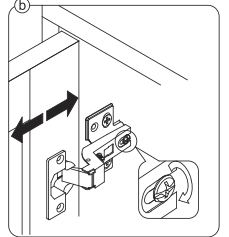
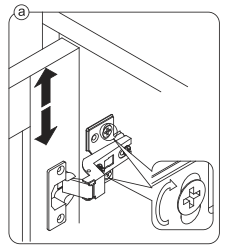
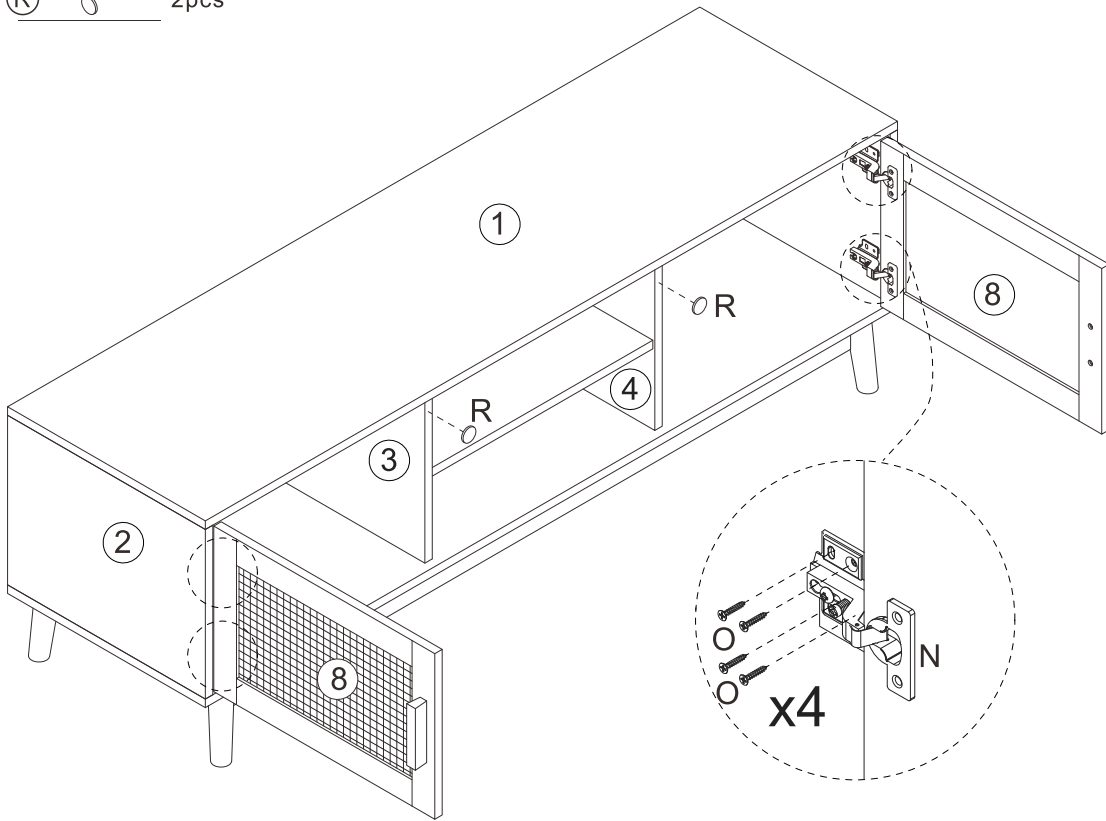
(M)  12 pcs



Step11

⊙ 16pcs

Ⓡ 2pcs



Step12

