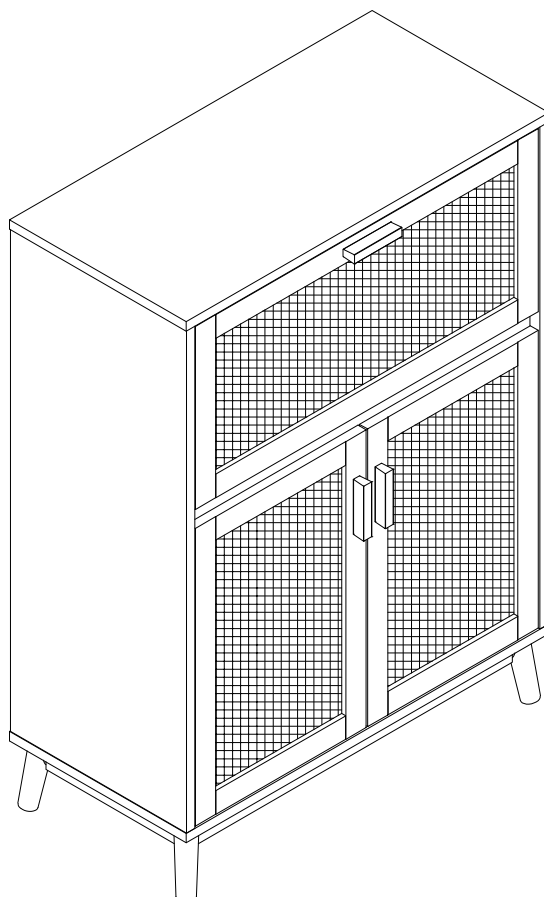


DUSK . COM

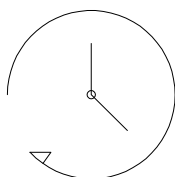
Range Name: ISLA
Product Dimensions: L80 x W39 x H112(cm)

LIVING BEDROOM DINING

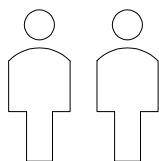
Hideaway Desk



THIS INSTRUCTION BOOKLET CONTAINS IMPORTANT SAFETY INFORMATION
PLEASE READ AND KEEP FOR FUTURE REFERENCE.



60 minutes approx
assembly time



Two adults
assembly required

This product is intended for domestic use only , not for commercial purposes.

Page 1

Important

Assembly Tip

Before you begin, we advise laying everything out on a clean and soft level surface to avoid damaging the unit or your floor, It's best to identify all of the parts and fittings to build your dressing table, and to familiarise yourself with all of the parts and fittings before building.

Top Tip

We recommend that you build your new cabinet in the room you'd like it to be located. This will help prevent any risk of damage to the product whilst moving it.

Safety and Care

1. It's important to ensure children and animals are kept away from the assembly area, as there are small components used in this dressing table which could present a choking hazard. All plastic and wrapping materials should also be kept away from children and animals to prevent any risk of suffocation.
2. Do not stand on your product.
3. Always use the item on firm level ground, ensuring all legs remain in contact with the ground.
4. Place heaviest items in the lowest drawers.
5. Do not set TV or other heavy objects on top of the product.
6. Children should always be under supervision whilst using this product. Never allow children to climb on the drawers.
7. Never keep more than one drawer open at the same time.
8. The installation of anti tipping kit to secure your furniture is strongly suggested.
9. Serious or fatal crushing injuries can occur from tipping furniture.

Help and Support

Please contact our customer service team on 0113 519 0311 if you have any questions or issues with your purchase.

Recycling

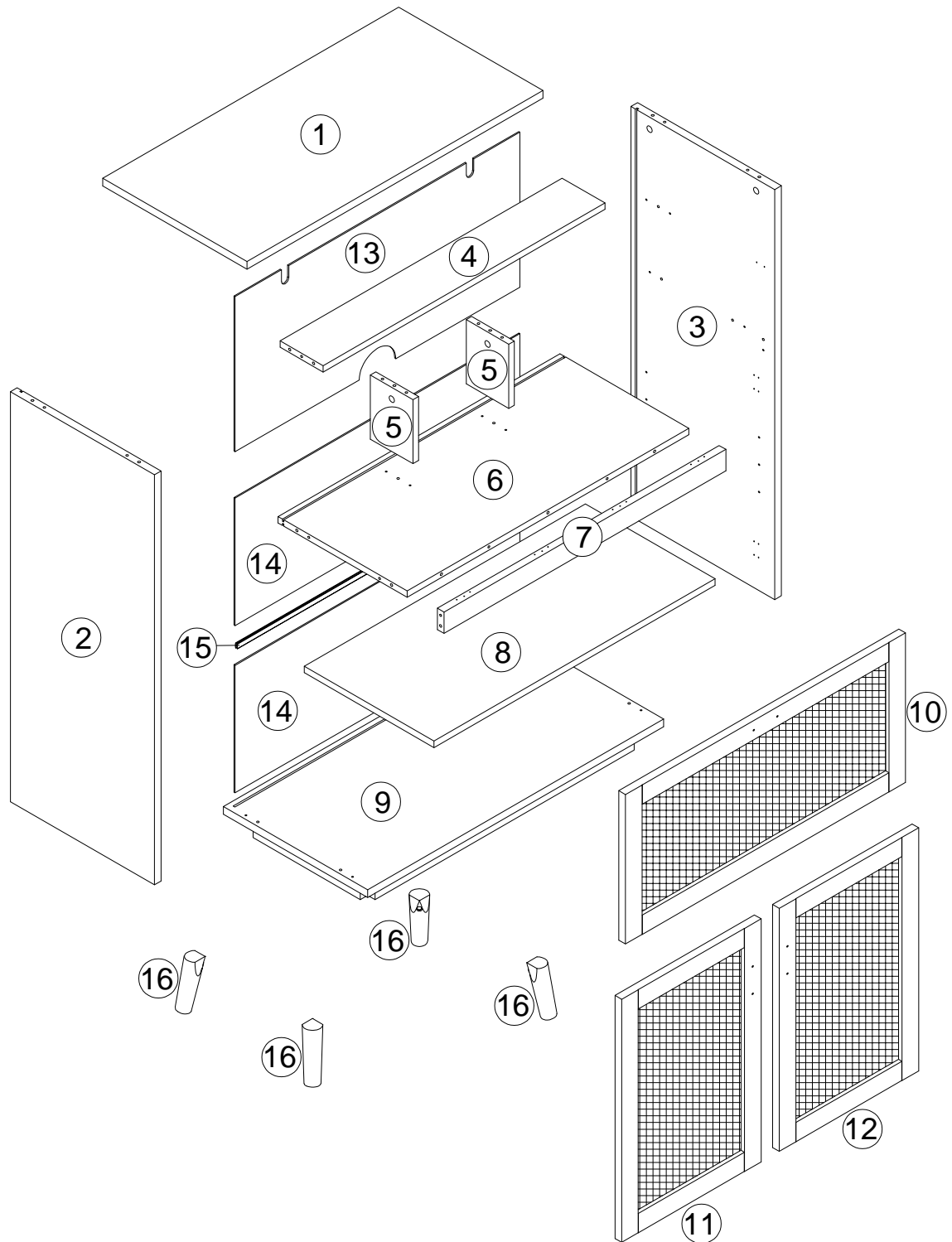
Please ensure that packaging is disposed of in a safe and environmentally friendly way, and recycle where possible. Please keep your assembly instructions safe to refer back to in the future.

Care and Maintenance

1. Only clean using a damp cloth, do not use bleach or abrasive cleaners as they may damage the finish over time.
3. Do not scrub or rub the surface when cleaning.
2. Do not use a very wet cloth or allow any liquid to contact with the veneer for a long period of time. Wipe any spillage immediately. Absorption can cause wood to warp or finishes to de-laminate.
4. Do not drag the Cabinet when moving, lift it off the floor instead.
5. Use a placemat or a coaster when putting hot items (e.g. hot drinks and dishes) on the wood surface.
6. It is not recommended to place the item next to sources of heat such as radiators, fires or directly exposed to sunlight. This may cause the wood to crack, split or fade due to the change of the humidity and temperature.
7. Wood will mellow and change colour over time, we recommend that ornaments and items placed on the surface to be moved regularly to prevent uneven mellowing.
8. Regularly check all fixings to ensure none have come loose. Re-tighten if necessary,
9. Avoid sharp items such as a screwdriver or any pointy tools.

Parts check list

Please check you have all the parts listed below with your product:
Do not discard any of the packaging until you have checked that you have all the parts and the pack of fixings.

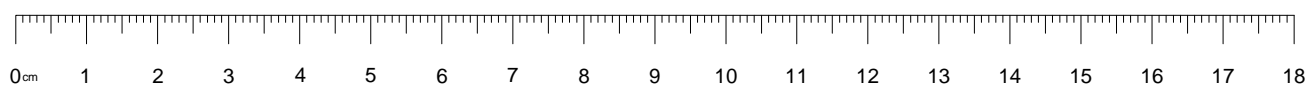


Fittings check list

Please check you have all the fittings listed below with your product:

 A 36mm cam bolt x19pcs (+2 extra)	 B M15x9.5mm cam x19pcs (+2 extra)	 C M6x30mm Wood dowel x24pcs (+2 extra)
 D M4x35mm Screw x10pcs (+1 extra)	 E M3x14mm Screw x43pcs (+3 extra)	 F L wall fixing x2pcs
 G M4x12mm Screw x2pcs	 H 30mm Wall Plug x2pcs	 I M4x30mm Screw x6pcs
 J Magnetic Catch x1pc	 K M6x55mm Screw x4pcs	 L Metal plate x4pcs
 M Metal plate x4pcs	 N L fitting x1pc	 O Felt pad x4pcs
 P Back bracket x12pcs (+1 extra)	 Q Handle x3pcs	 R Hinge x4pcs
 S M4x14mm Screw x24pcs (+2 extra)	 T Sticker x19pcs (+2 extra)	 U Metal plate x1pc

Bolt Length Ruler:



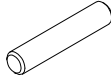
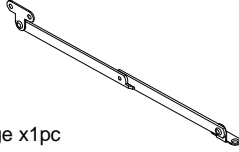
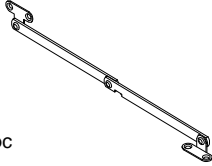
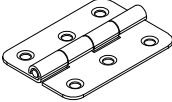

Tool required



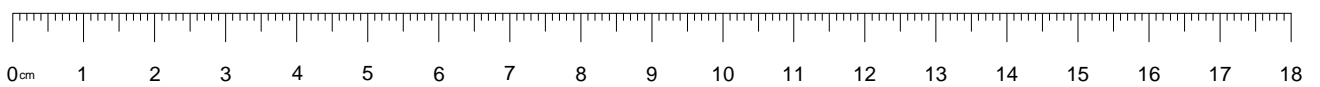
Crosshead Screwdriver (not provided)

Fittings check list

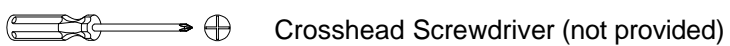
Please check you have all the fittings listed below with your product:

 V Shelf support x4pcs	 W Hinge x1pc	 X Hinge x1pc
 Y Hinge x4pcs	 Z M4x10mm Screw x4pcs	

Bolt Length Ruler:



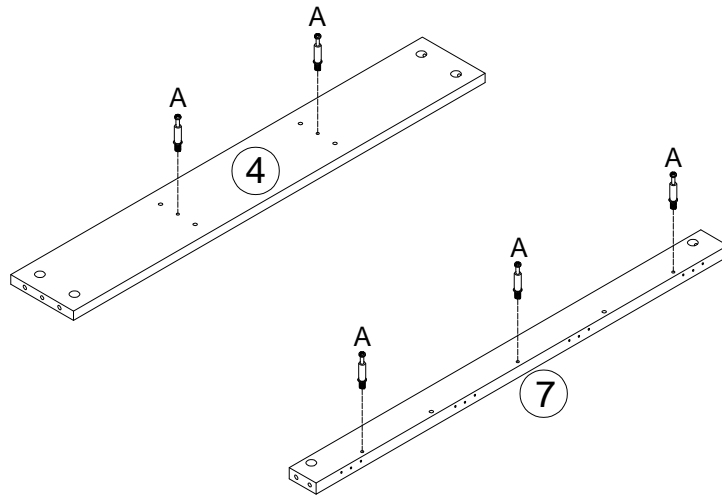
Tool required



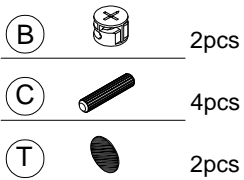
Step 1



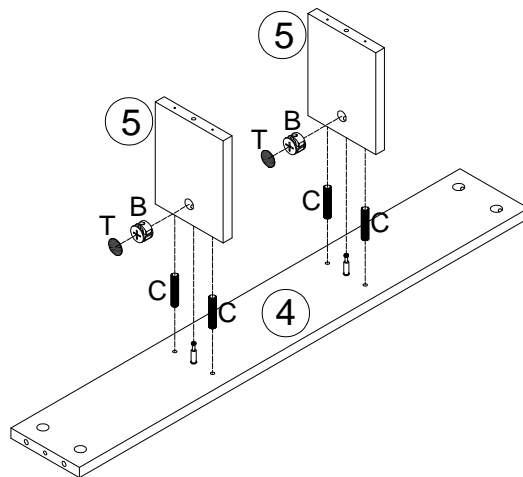
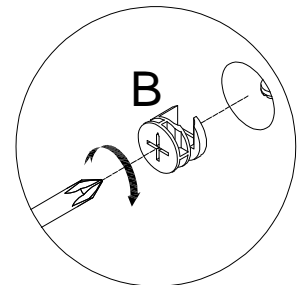
Fix cam bolt(A) to the board 4 and board 7 as shown.






Step 2



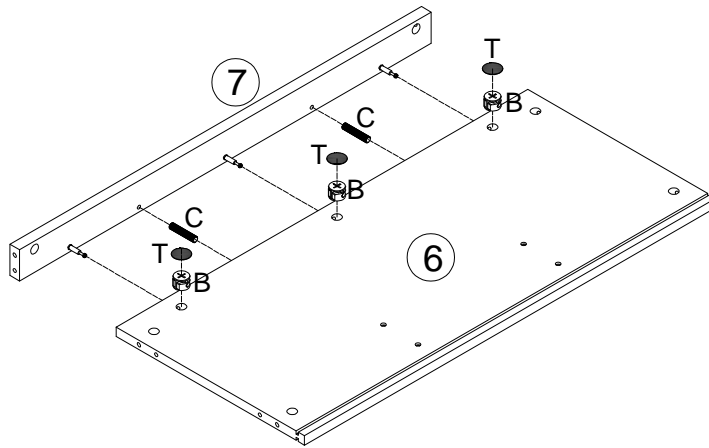
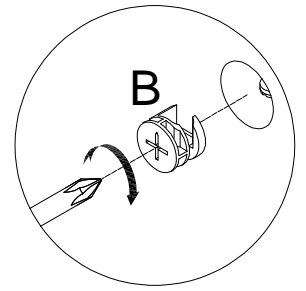
Attach board 5 to the board 4 with wooden dowel(C), put the cam(B) into board 5 then turn clockwise to tighten as shown, stick the cam hole with sticker(T).





Step 3

- B  3pcs
- C  2pcs
- T  3pcs

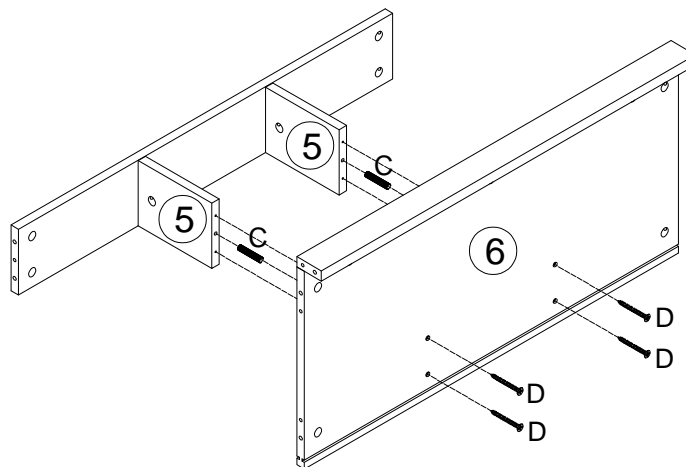
Attach board 7 to board 6 with wooden dowel(C) and put cam(B) to board 6 then turn clockwise to tighten, stick the cam hole with sticker(T) as shown.



Step 4

- C  2pcs
- D  4pcs

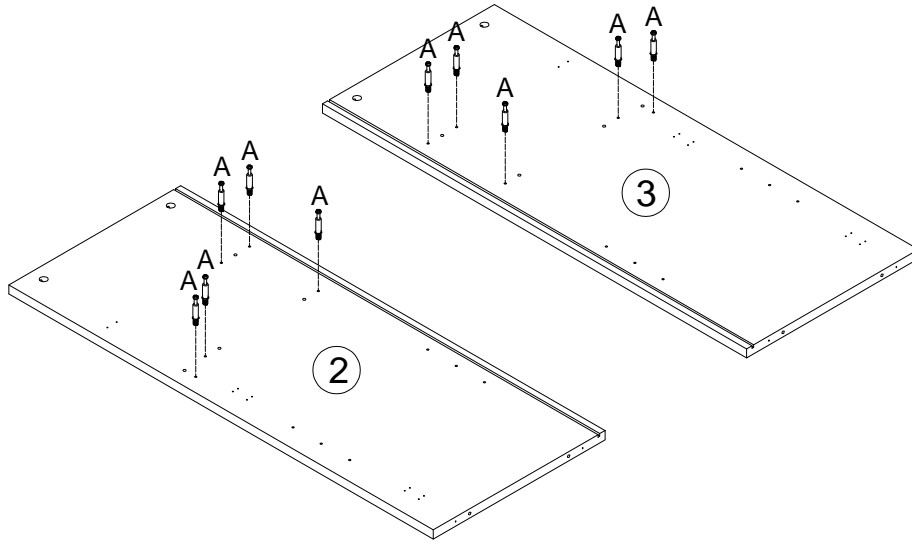
Attach board 6 to board 5 with wooden dowel(C) then use screw(D) fix the board 6 to the board(5) as shown.



Step 5



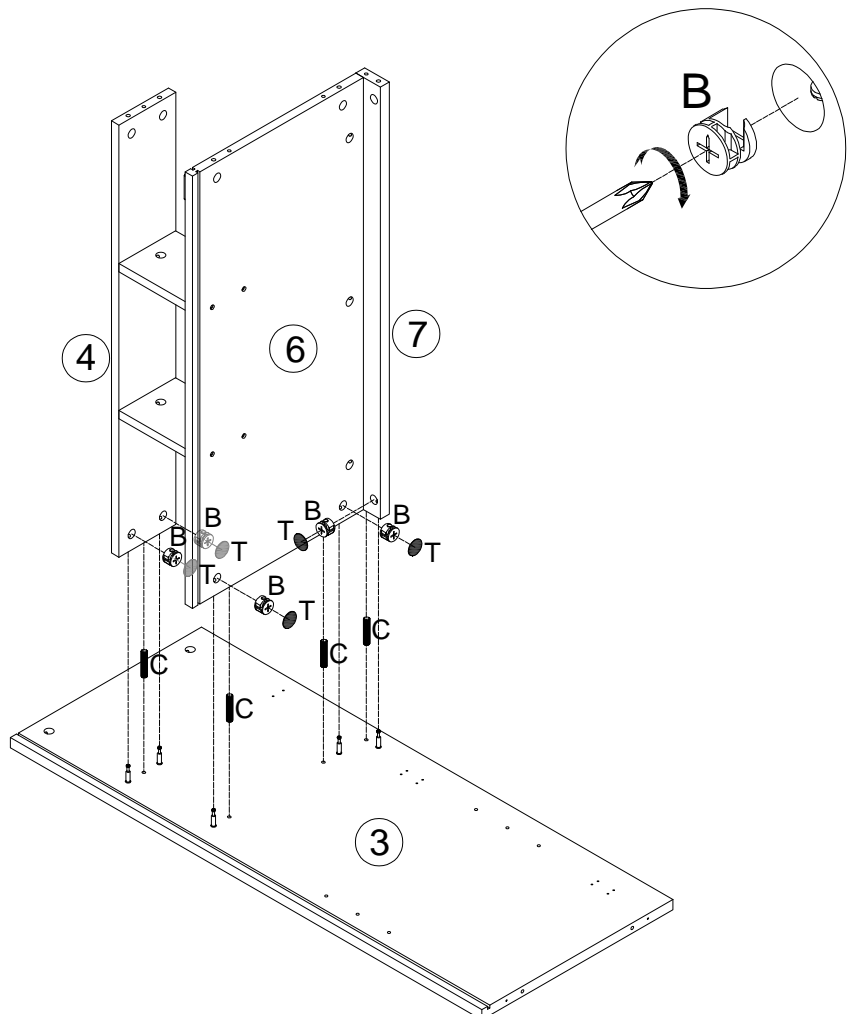
Fix cam bolt(A) to the board 2 and board 3 as shown.






Step 6



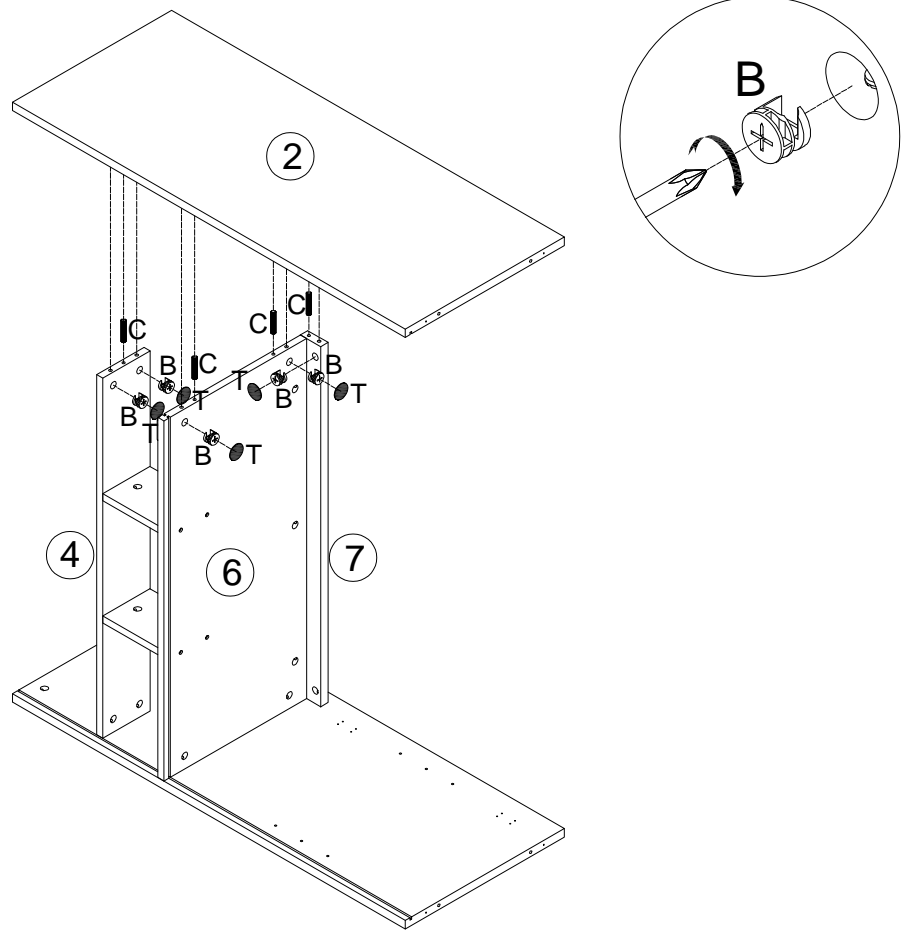
Attach board 3 to the board 4 and board 6 and board 7 with wooden dowel(C), put the cam(B) into the board 4 and board 6 and board 7.



Step 7

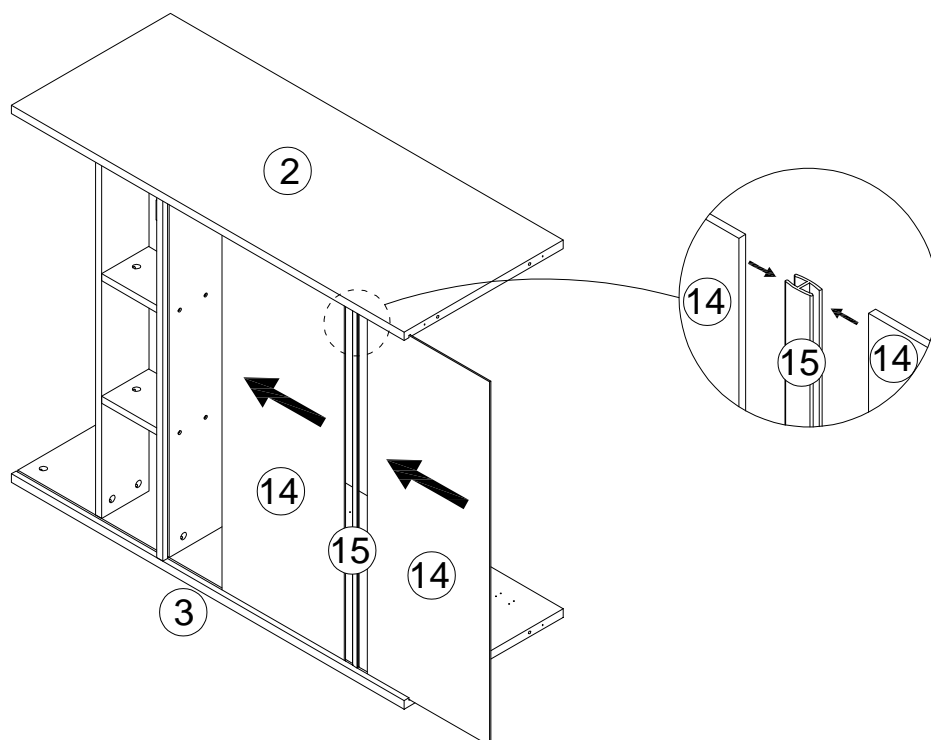
- B  5pcs
- C  4pcs
- T  5pcs

Attach board 2 to the board 4 and board 6 and board 7 with wooden dowel(C), put the cam(B) into the board 4 and board 6 and board 7.

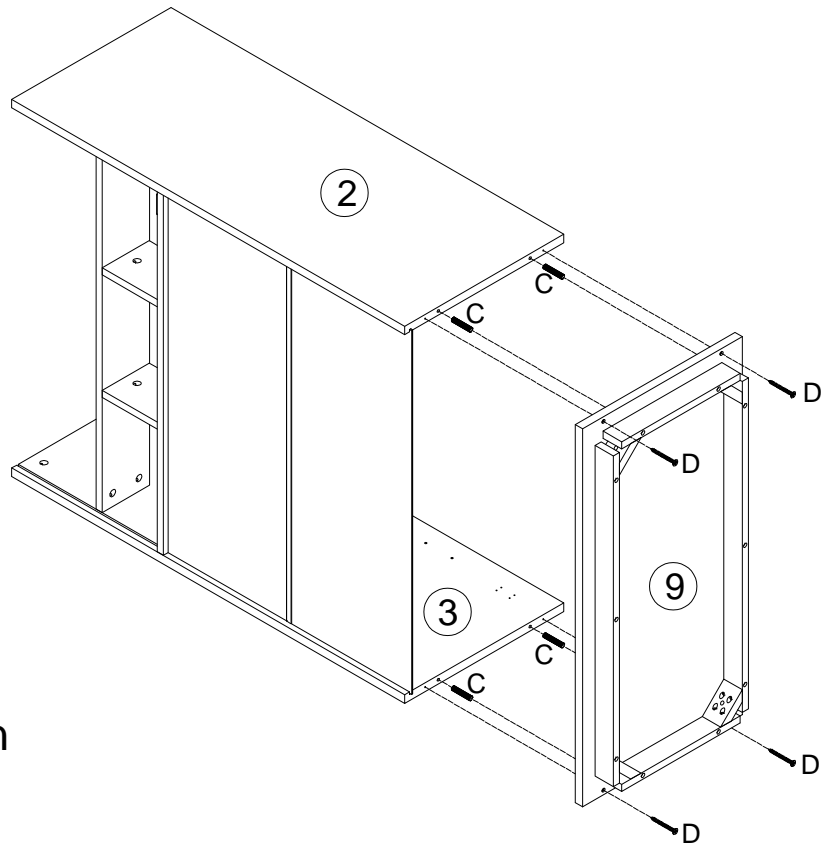
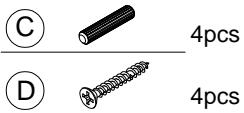


Step 8

Connect the 2 back board 14 with 15 then put them into the cabinet as shown.

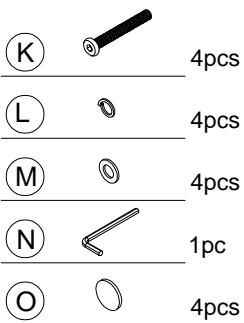


Step 9

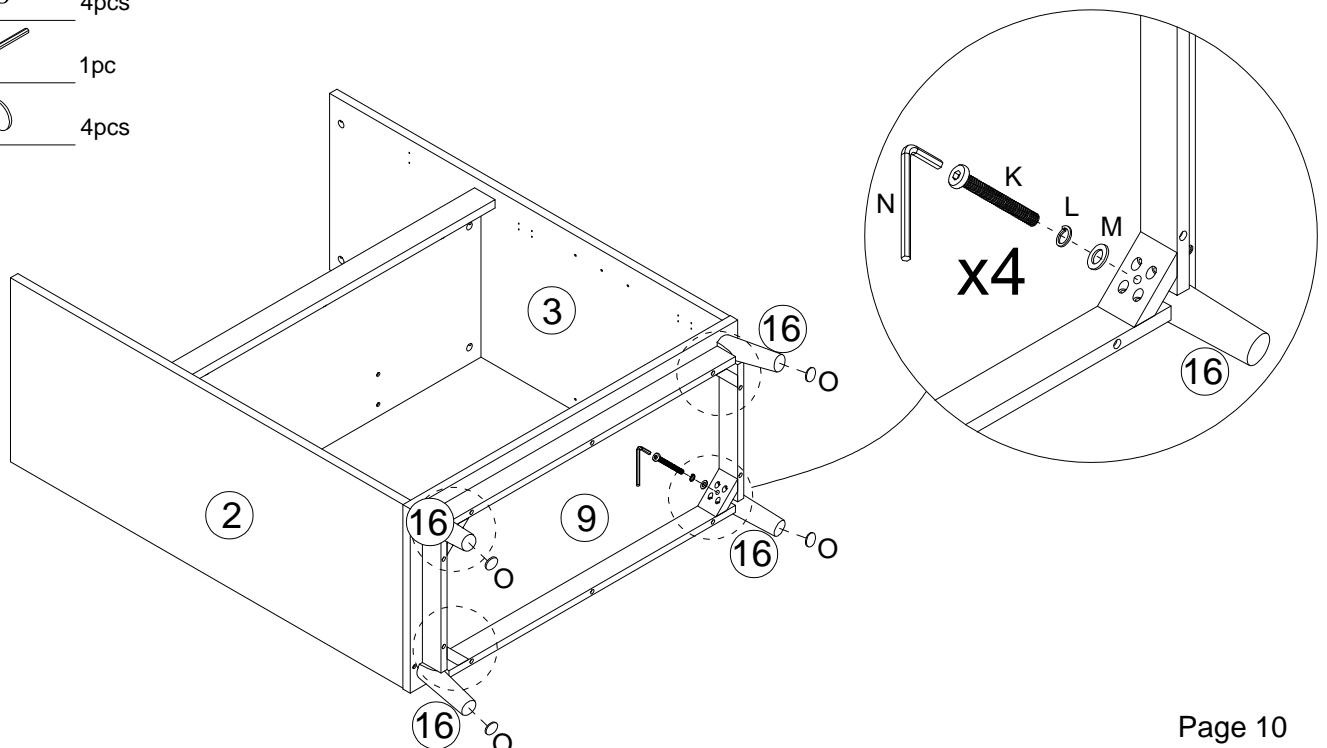


Attach the board 9 to the board 2 and board 3 with wooden dowel(C) then use screw D to fix them.

Step 10

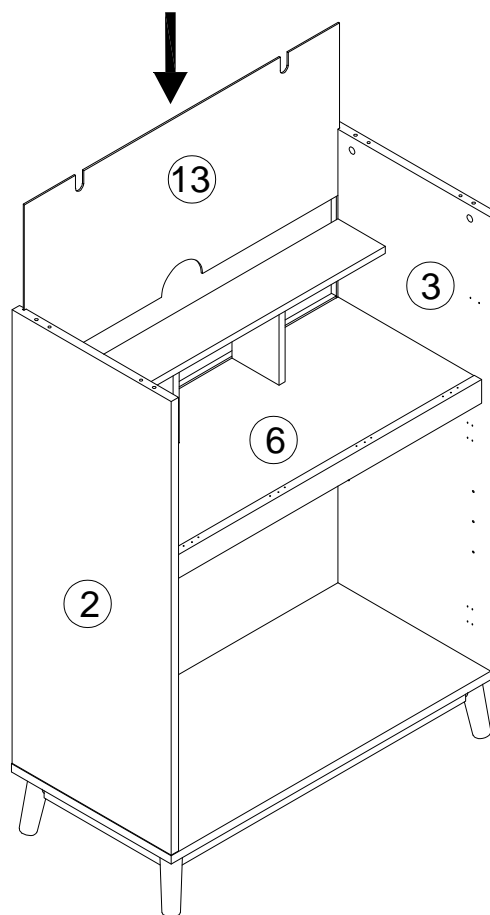


Connect leg 16 to the frame on the board 9, put metal plate(L) and (M) onto the screw rod(K) at first then tighten the screw rod(K) with an Allan wrench, finally stick the foot pads(O) onto the legs as shown.

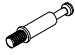



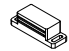


Step 11

Put the board 13 into cabinet as shown.



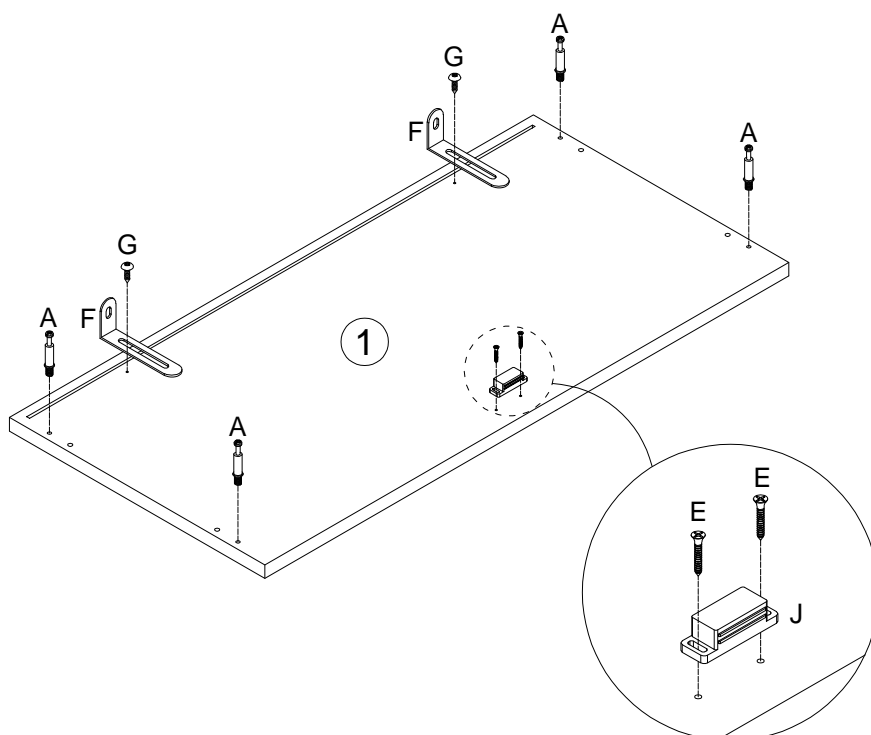
Step 12

- A  4pcs
- E  2pcs
- F  2pcs
- G  2pcs
- J  1pc


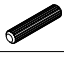

Fix cam bolt into board(A) as shown.

Fix magnetic catch(J) to the board 1 with screw(E) as shown.

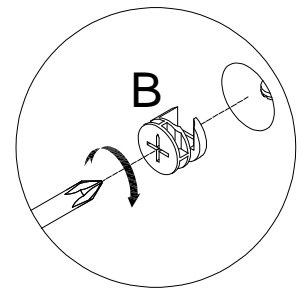
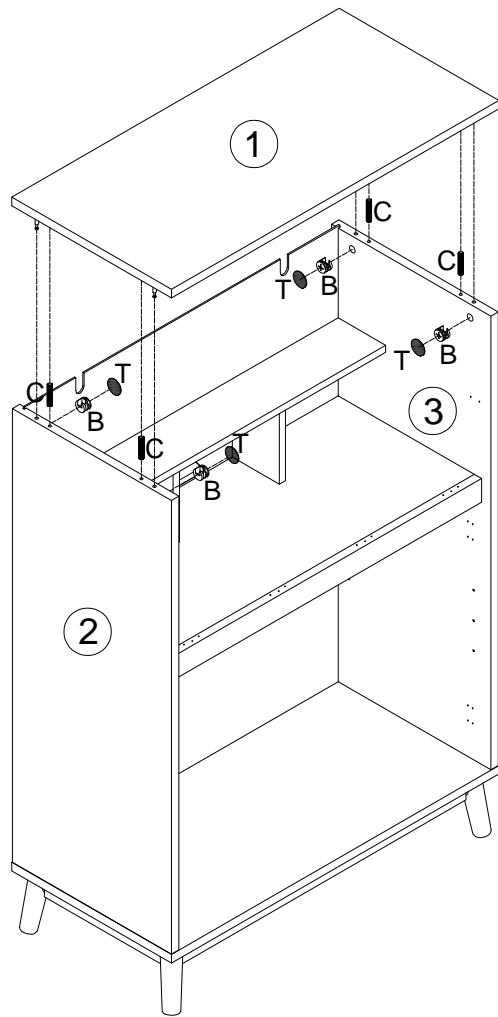
Fix L wall fixing(F) with screw(G) as shown.



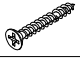
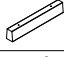


Step 13

- B  4pcs
- C  4pcs
- T  4pcs

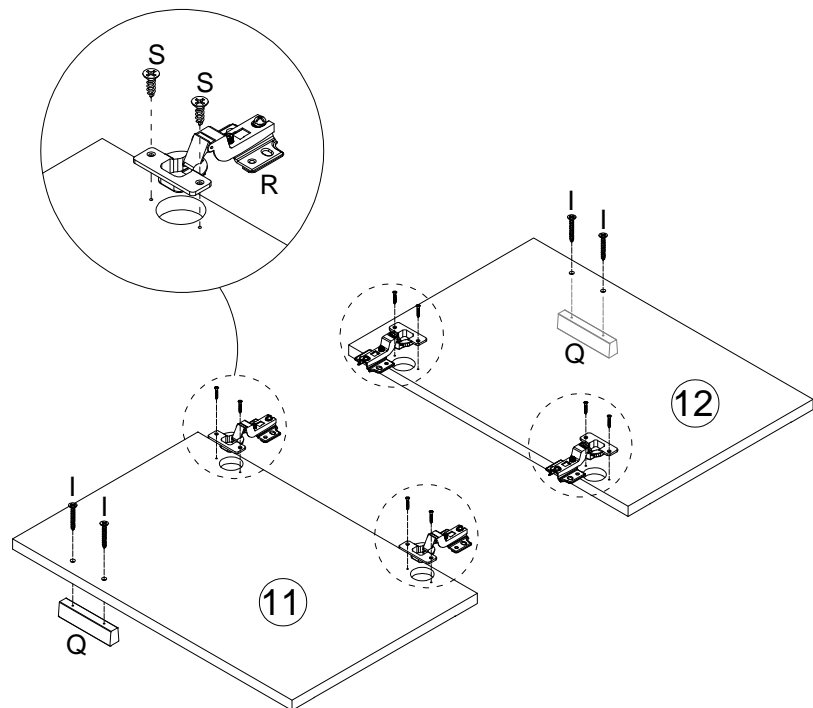
Attach board 1 to board 2 and board 3 with wooden dowel(C), put cam(B) into board 2 and board 3 then turn clockwise to tighten, stick the cam holes with sticker(T) as shown.



Step 14

- I  4pcs
- Q  2pcs
- R  4pcs
- S  8pcs

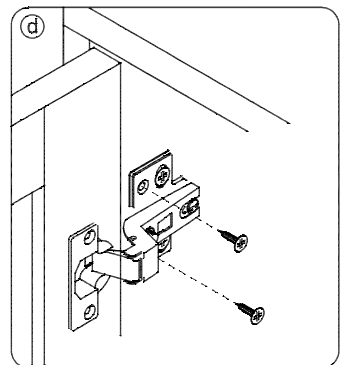
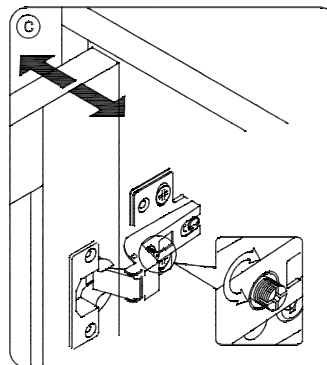
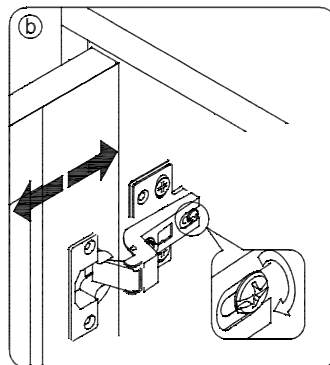
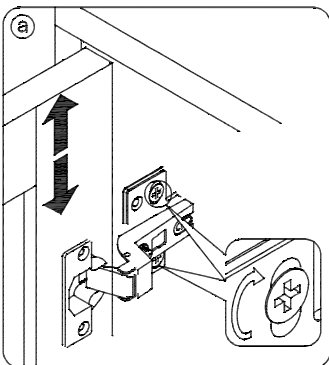
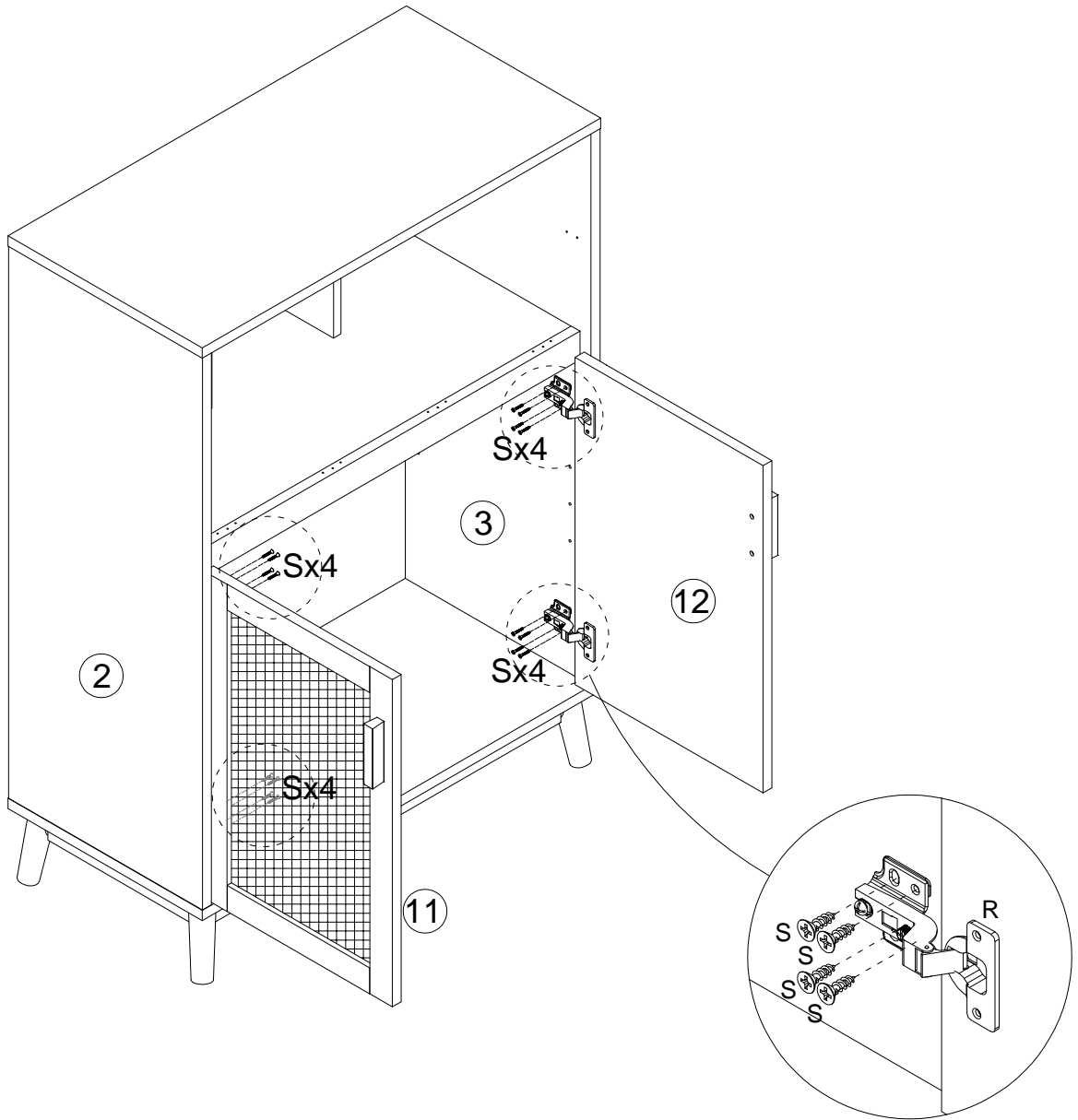
Fix hinge(R) to the board 11 and board 12 with screw(S) then fix handle(Q) to the board 11 and 12 with screw(I) as shown.



Step 15

(S)  16pcs

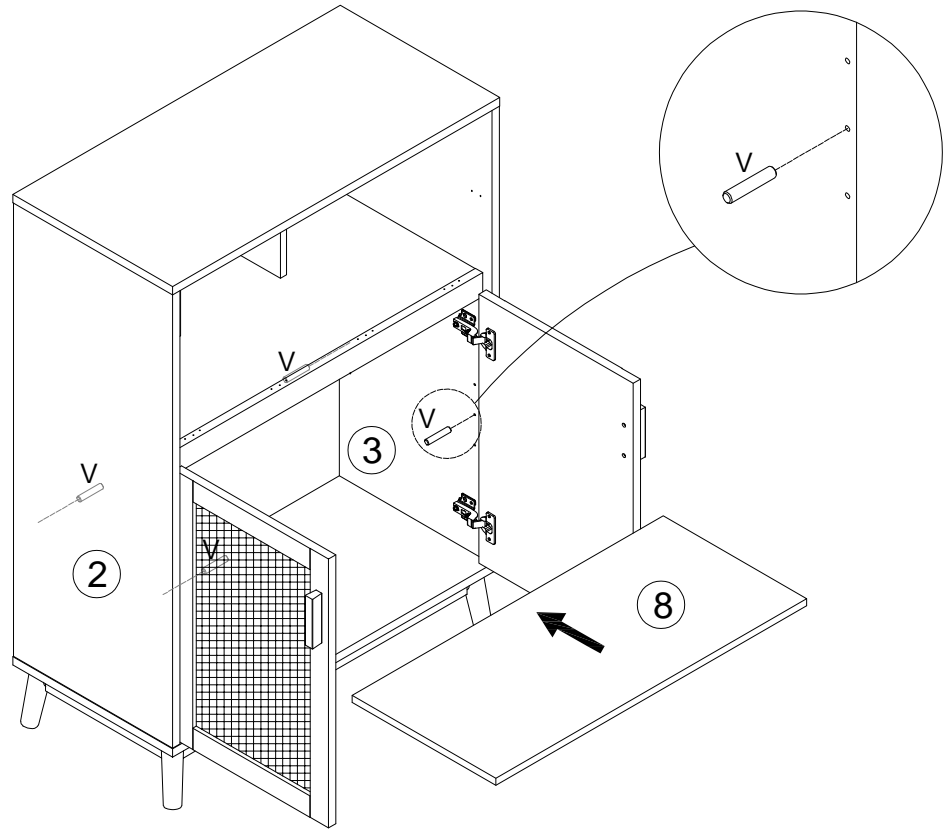
Fix board 11 to board 2 with screw(S).
Fix board 12 to board 3 with screw(S).
As shown.



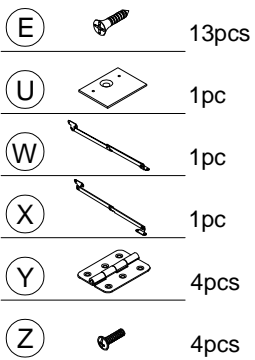
Step 16



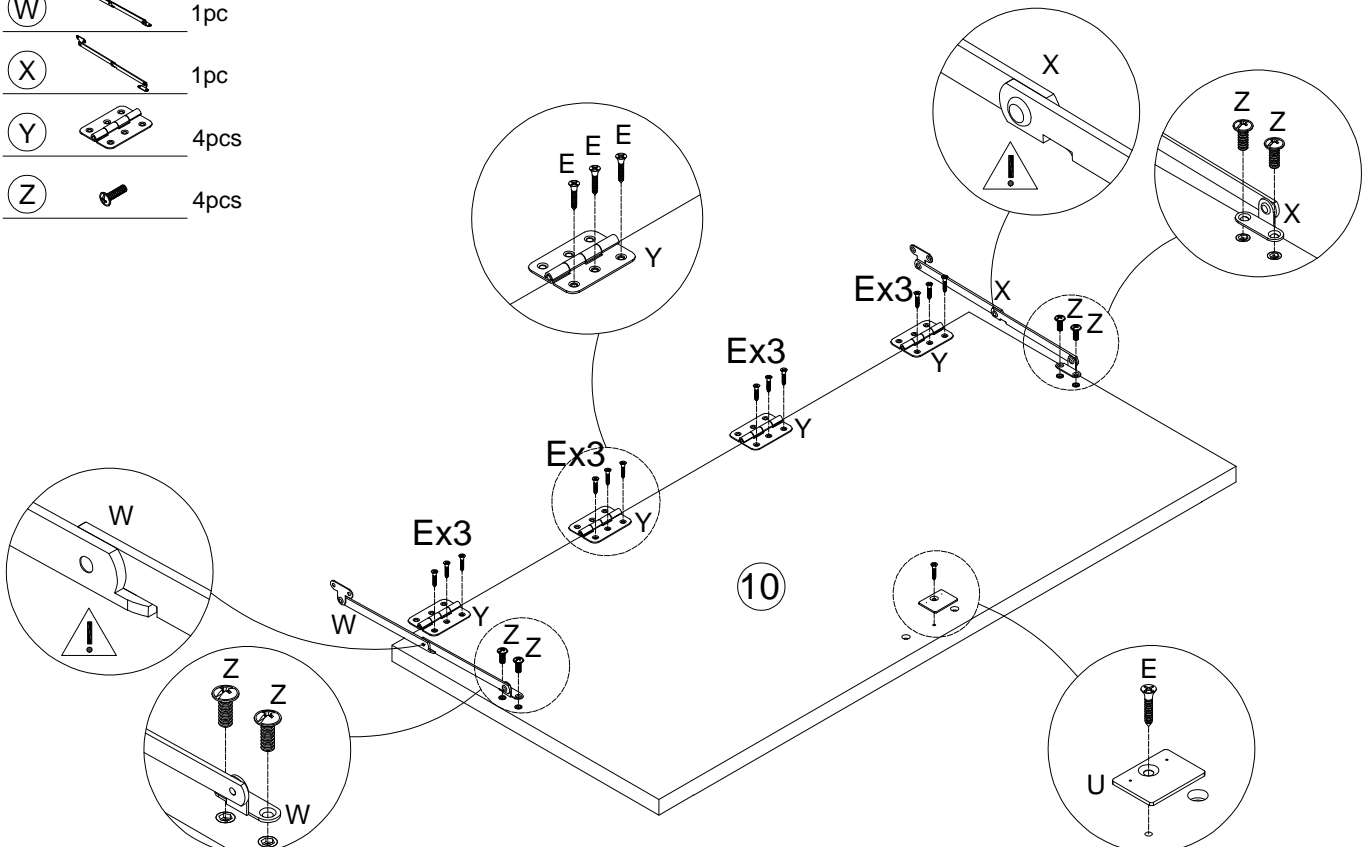
Insert the shelf support to the board 2 and board 3 then put the board 8 into the cabinet as shown.



Step 17



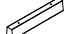
Fix hinge(Y) to the board 10 with screw(E).
Fix metal plate to the board 10 with screw(E).
Fix hinge W and X to the board 10 with screw(Z)



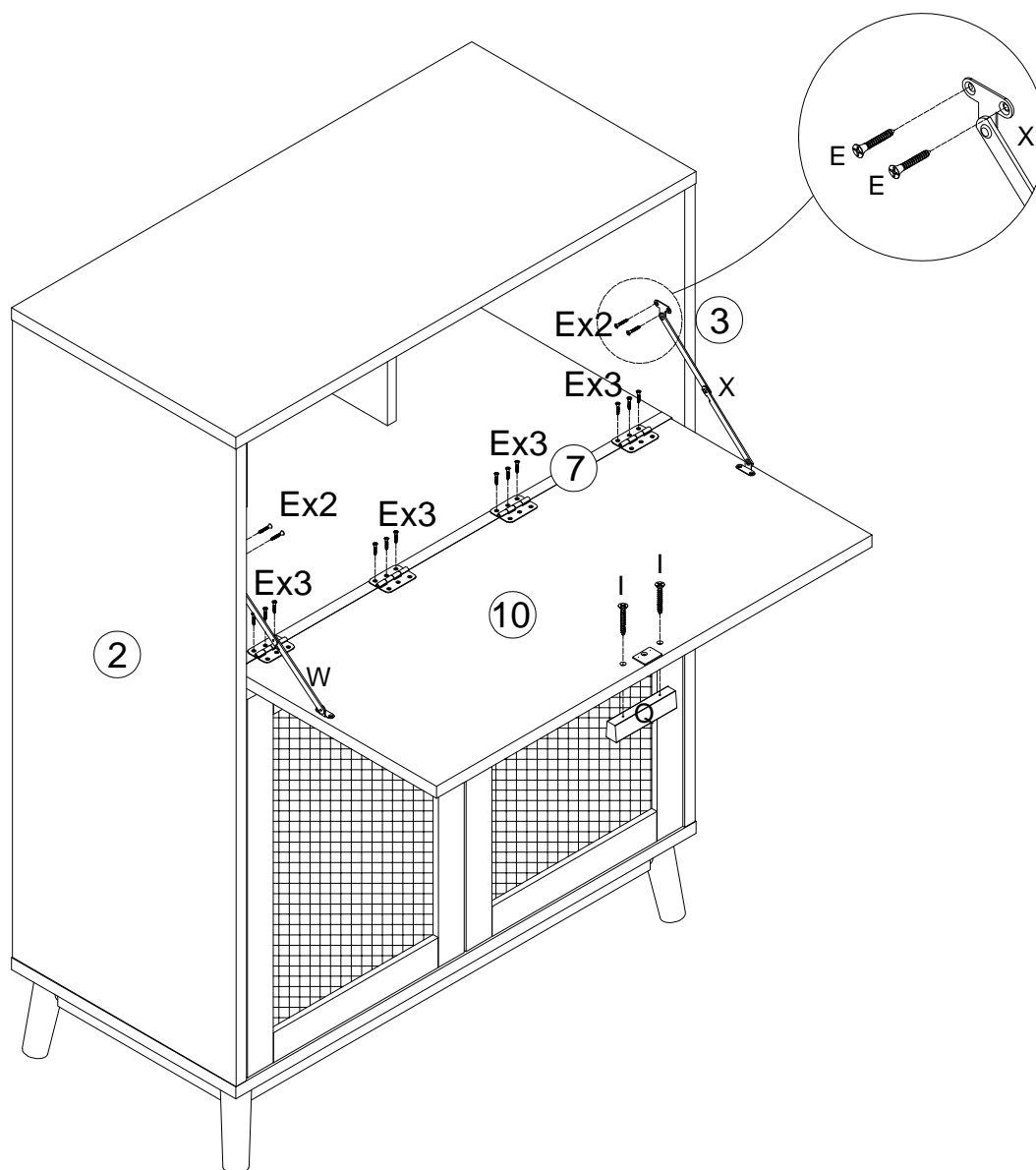
Step 18

Ⓔ  16pcs

Ⓘ  2pcs

Ⓚ  1pc

Fix board 10 to the cabinet with screw(E) as shown, then fix handle Q to the board 10 with screw(I).

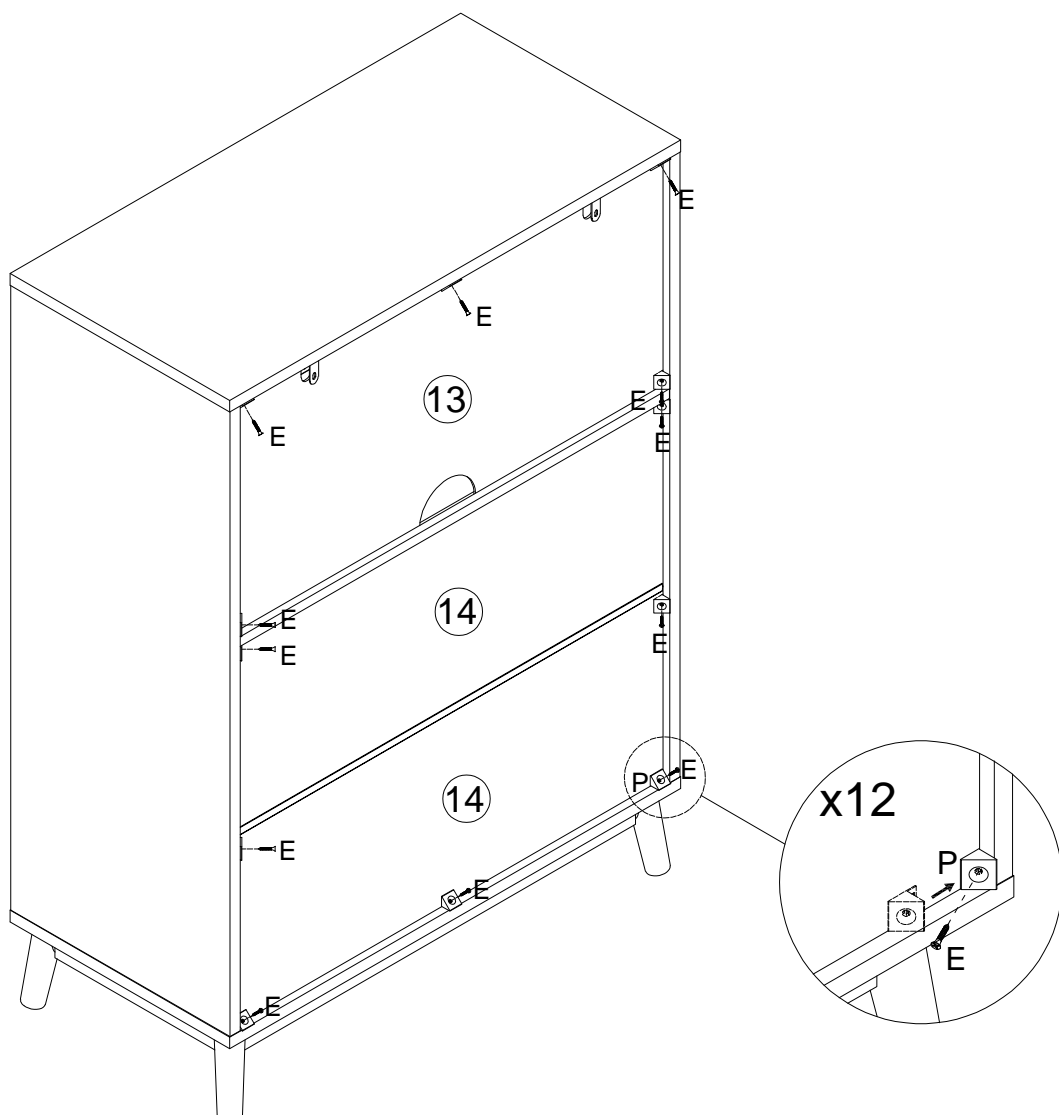


Step 19



(E)  12pcs

(P)  12pcs

Fix back bracket(P) to the cabinet with screw(E) as shown.



Step 20

- (D)  2pcs
- (H)  2pcs

Drill holes on your wall and install anti-tipping device as shown.

