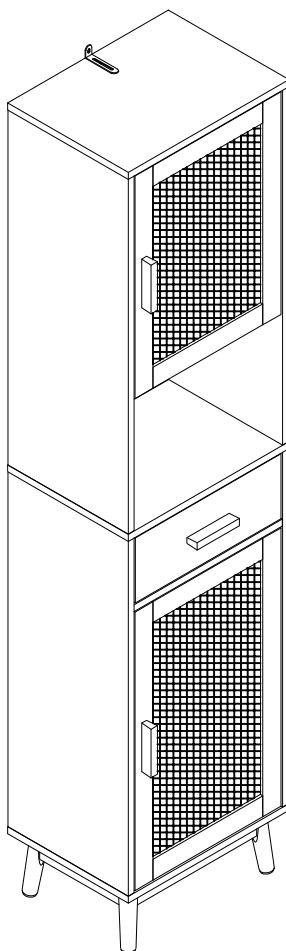


# DUSK . COM

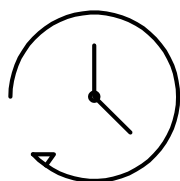
Range Name: ISLA  
Product Dimensions: L40 x W30 x H170(cm)

LIVING BEDROOM DINING

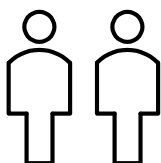
## Tall Storage Unit



THIS INSTRUCTION BOOKLET CONTAINS IMPORTANT SAFETY INFORMATION  
PLEASE READ AND KEEP FOR FUTURE REFERENCE.



60 minutes approx  
assembly time



Two adults  
assembly required

This product is intended for domestic use only , not for commercial purposes.

Page 1

## **Important**

### Assembly Tip

Before you begin, we advise laying everything out on a clean and soft level surface to avoid damaging the unit or your floor, It's best to identify all of the parts and fittings to build your dressing table, and to familiarise yourself with all of the parts and fittings before building.

### Top Tip

We recommend that you build your new cabinet in the room you'd like it to be located. This will help prevent any risk of damage to the product whilst moving it.

### Safety and Care

1. It's important to ensure children and animals are kept away from the assembly area, as there are small components used in this dressing table which could present a choking hazard. All plastic and wrapping materials should also be kept away from children and animals to prevent any risk of suffocation.
2. Do not stand on your product.
3. Always use the item on firm level ground, ensuring all legs remain in contact with the ground.
4. Place heaviest items in the lowest drawers.
5. Do not set TV or other heavy objects on top of the product.
6. Children should always be under supervision whilst using this product. Never allow children to climb on the drawers.
7. Never keep more than one drawer open at the same time.
8. The installation of anti tipping kit to secure your furniture is strongly suggested.
9. Serious or fatal crushing injuries can occur from tipping furniture.

### Help and Support

Please contact our customer service team on 0113 519 0311 if you have any questions or issues with your purchase.

### Recycling

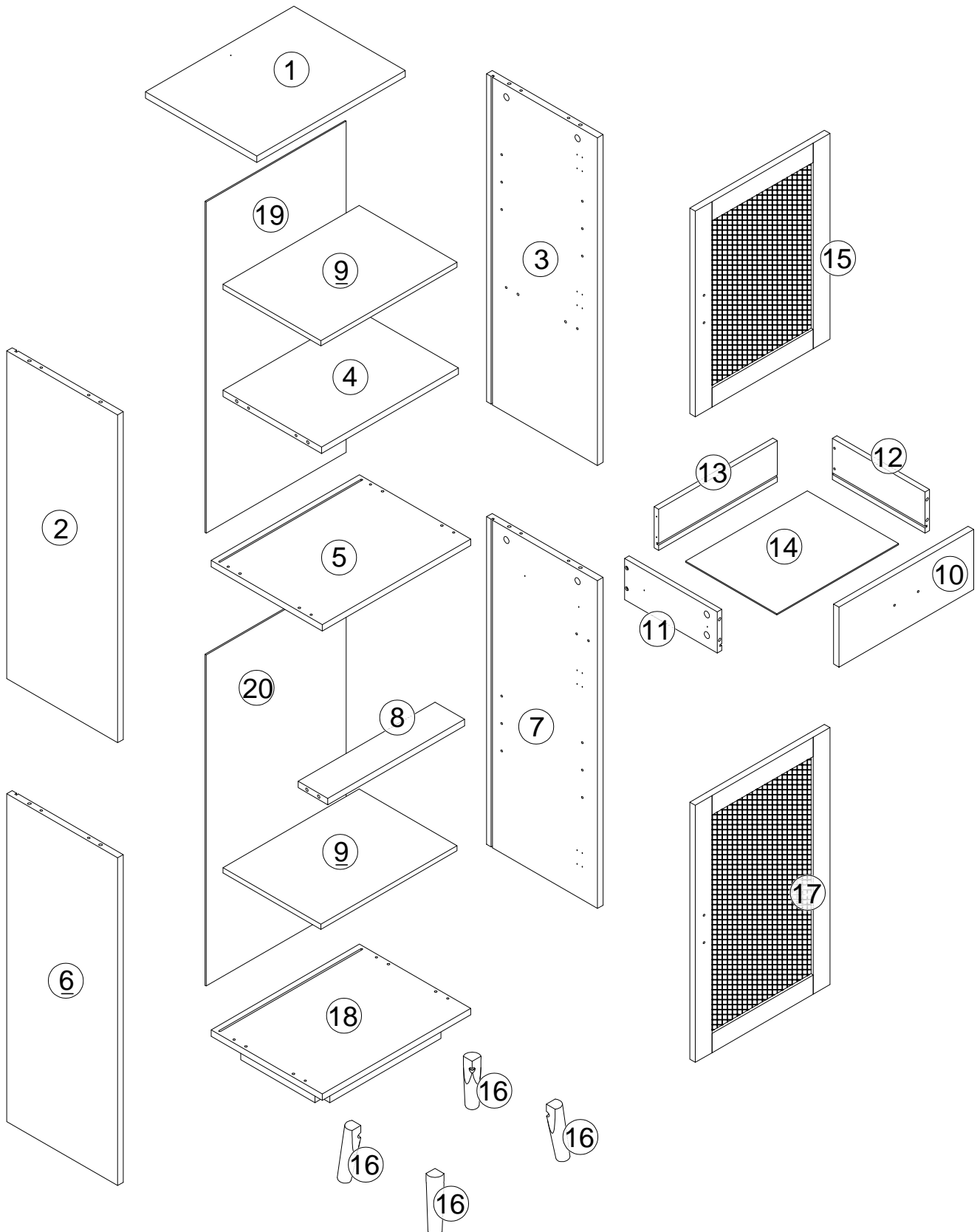
Please ensure that packaging is disposed of in a safe and environmentally friendly way, and recycle where possible. Please keep your assembly instructions safe to refer back to in the future.

## **Care and Maintenance**

1. Only clean using a damp cloth, do not use bleach or abrasive cleaners as they may damage the finish over time.
3. Do not scrub or rub the surface when cleaning.
2. Do not use a very wet cloth or allow any liquid to contact with the veneer for a long period of time. Wipe any spillage immediately. Absorption can cause wood to warp or finishes to de-laminate.
4. Do not drag the Cabinet when moving, lift it off the floor instead.
5. Use a placemat or a coaster when putting hot items (e.g. hot drinks and dishes) on the wood surface.
6. It is not recommended to place the item next to sources of heat such as radiators, fires or directly exposed to sunlight. This may cause the wood to crack, split or fade due to the change of the humidity and temperature.
7. Wood will mellow and change colour over time, we recommend that ornaments and items placed on the surface to be moved regularly to prevent uneven mellowing.
8. Regularly check all fixings to ensure none have come loose. Re-tighten if necessary,
9. Avoid sharp items such as a screwdriver or any pointy tools.

## Parts check list

Please check you have all the parts listed below with your product:  
Do not discard any of the packaging until you have checked that you have all the parts and the pack of fixings.

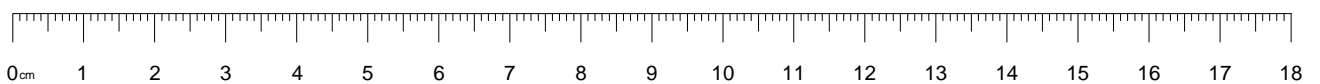


# Fittings check list

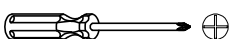
Please check you have all the fittings listed below with your product:

 <p><b>(A)</b> 36mm cam bolt x20pcs (+2 extra)</p>	 <p><b>(B)</b> M15x9.5mm cam x20pcs (+2 extra)</p>	 <p><b>(C)</b> M6x30mm Wood dowel x20pcs (+2 extra)</p>
 <p><b>(D)</b> M4x35mm Screw x13pcs (+1 extra)</p>	 <p><b>(E)</b> M3x12mm Screw x14pcs (+1 extra)</p>	 <p><b>(F)</b> M3x14mm Screw x12pcs (+1 extra)</p>
 <p><b>(G)</b> M4x14mm Screw x24pcs (+3 extra)</p>	 <p><b>(H)</b> M4x30mm Screw x6pcs (+1 extra)</p>	 <p><b>(I)</b> M4x12mm Screw x1pcs</p>
 <p><b>(J)</b> Plastic stopper x2pcs</p>	 <p><b>(K)</b> Plastic stopper x3pcs</p>	 <p><b>(L)</b> L wall fixing x1pcs</p>
 <p><b>(M)</b> 30mm Wall Plug x1pcs</p>	 <p><b>(N)</b> L fitting x1pc</p>	 <p><b>(O)</b> Sticker x12pcs (+1 extra)</p>
 <p><b>(P)</b> Back bracket x12pcs (+1 extra)</p>	 <p><b>(Q)</b> M6x55mm Screw x4pcs</p>	 <p><b>(R)</b> Metal plate x4pcs</p>
 <p><b>(S)</b> Metal plate x4pcs</p>	 <p><b>(T)</b> Felt pad x4pcs</p>	 <p><b>(U)</b> Shelf support x8pcs</p>
 <p><b>(V)</b> Hinge x4pcs</p>	 <p><b>(W)</b> Handle x3pcs</p>	

## Bolt Length Ruler:

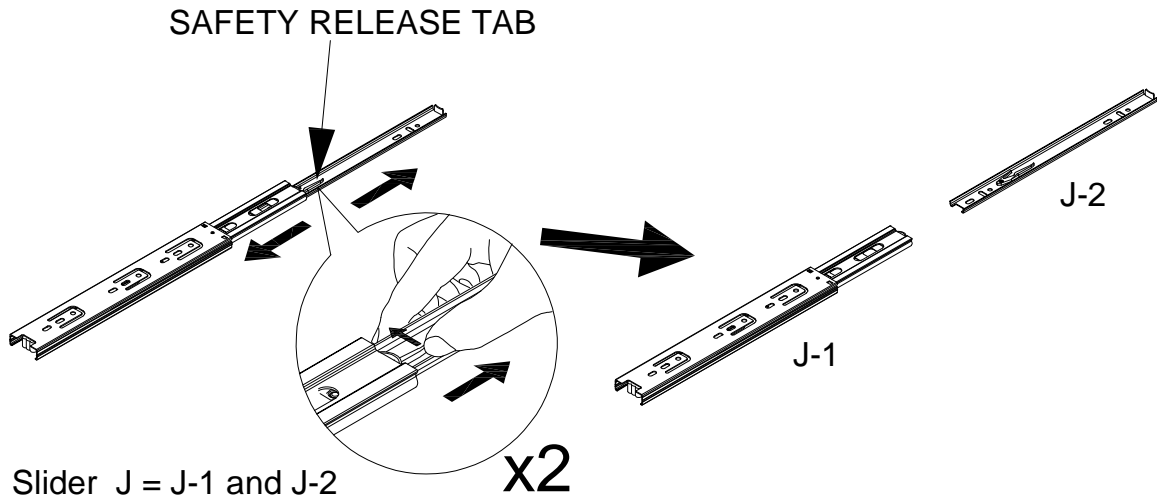
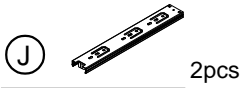


## Tool required

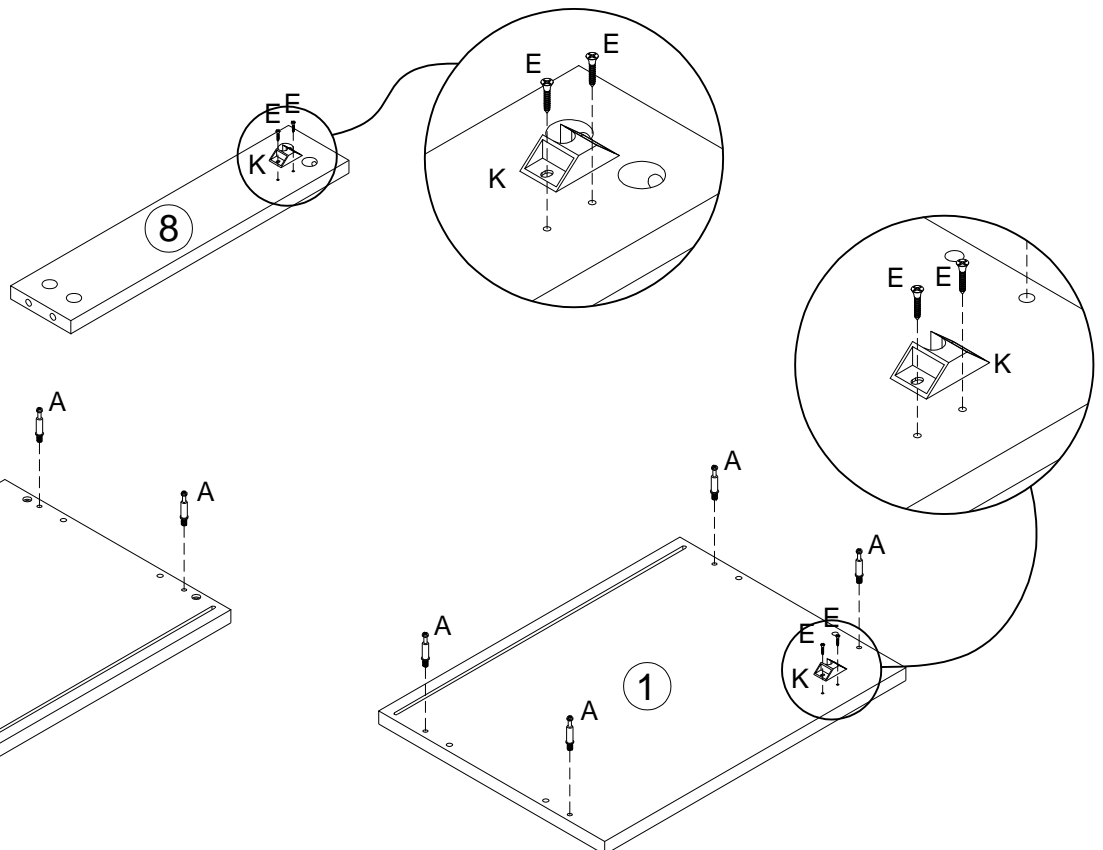
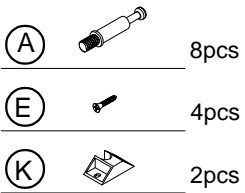


Crosshead Screwdriver (not provided)

## Step 1




## Step 2

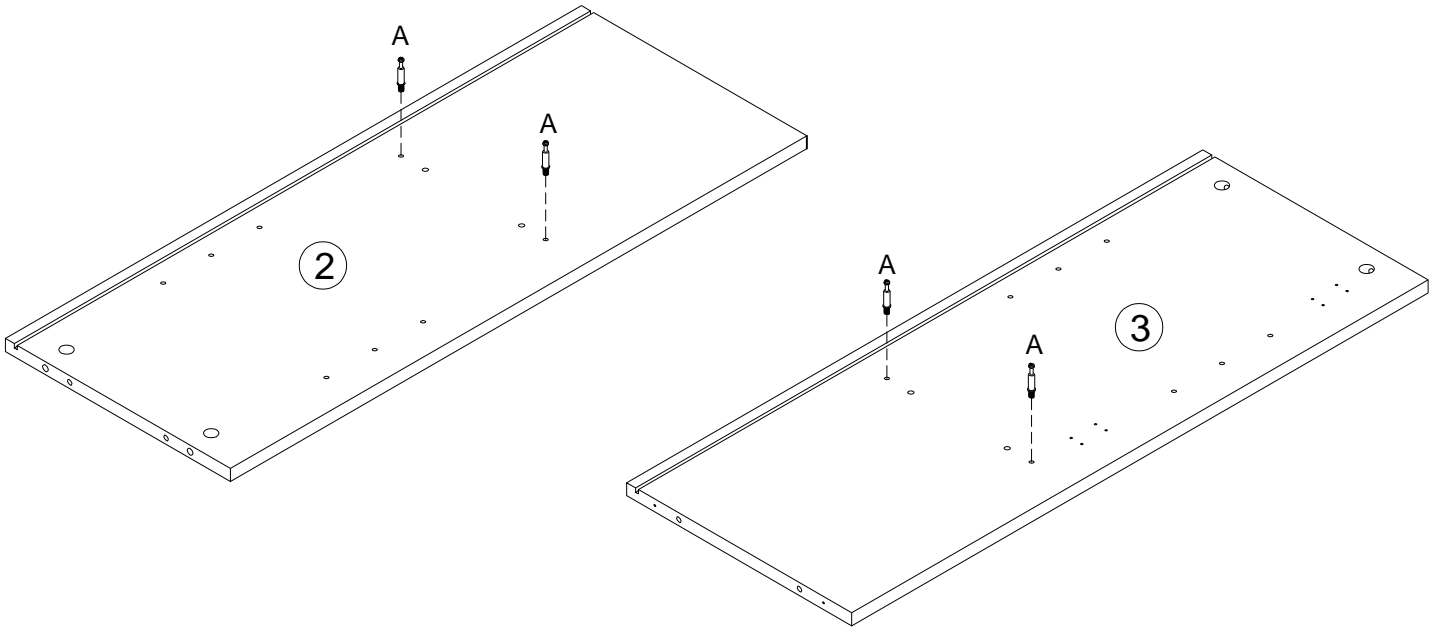


Fixed cam bolt(A) into the board 5 and board 1,  
fixed plastic stopper(K) to the board 8 with screw(E) as shown.

### Step 3

(A)  4pcs

Fixed cam bolt(A) into the board 2 and board 3 as shown.

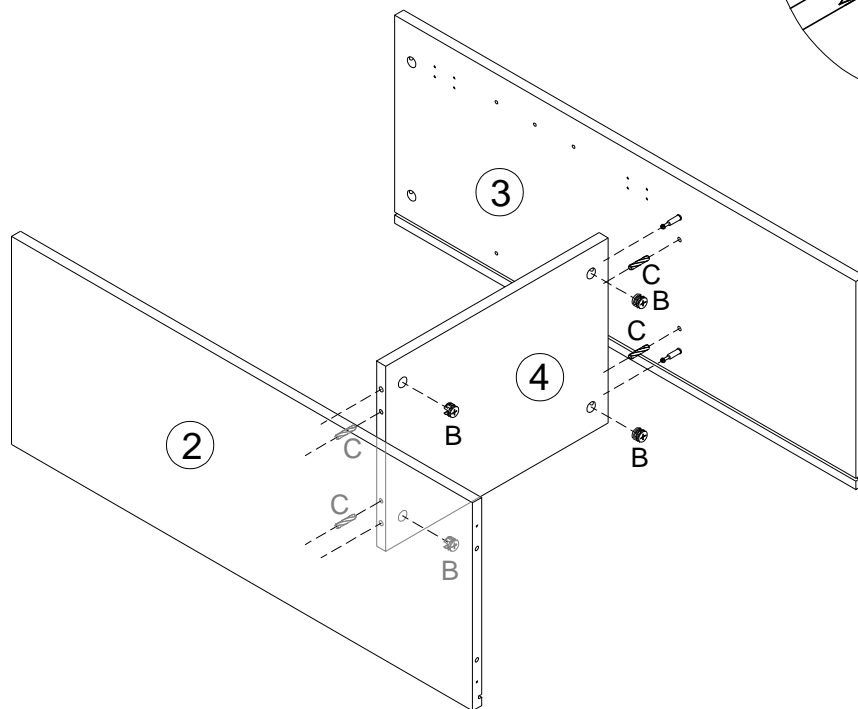
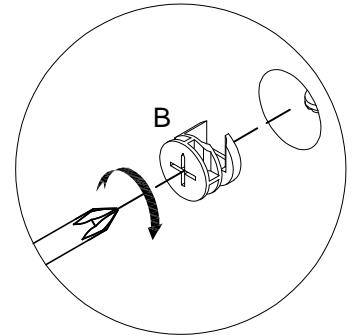


### Step 4




(B)  4pcs

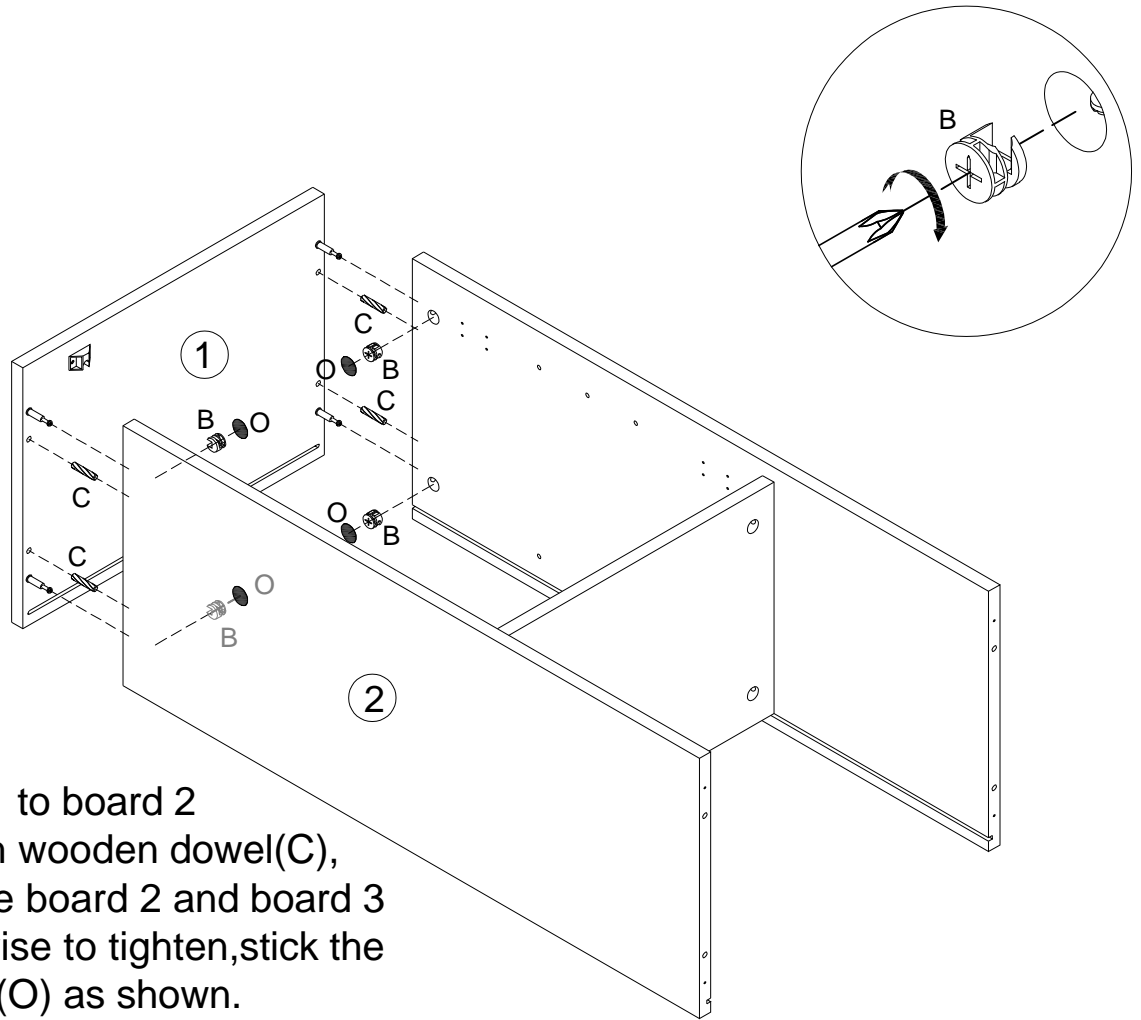
(C)  4pcs

Attached board 2 and board 3 to board 4 with wooden dowel(C), put cam(B) in the board 4 then turn clockwise to tighten as shown.



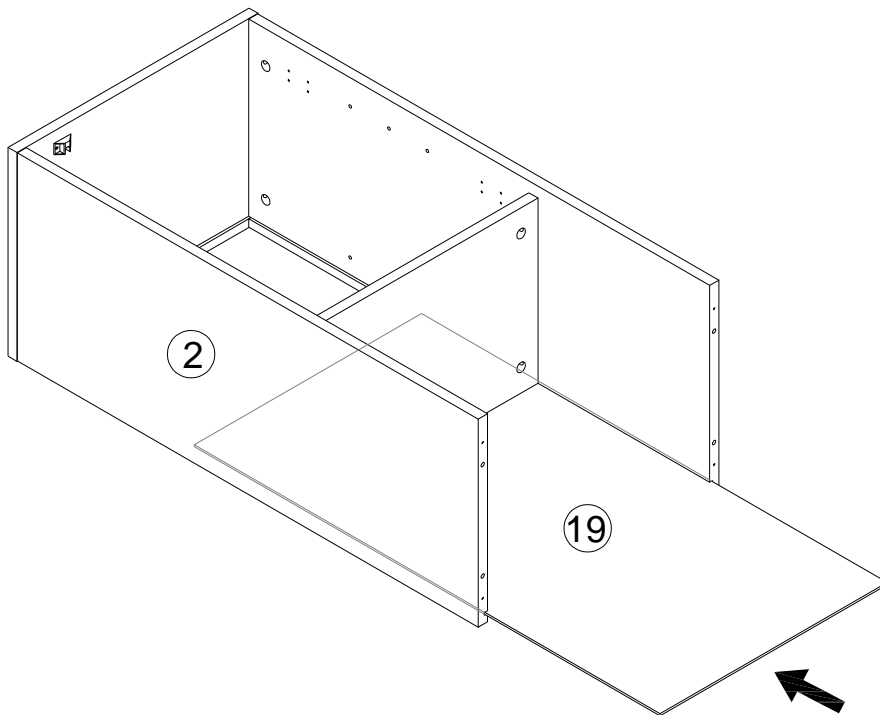
## Step 6

- (B)  4pcs
- (C)  4pcs
- (O)  4pcs





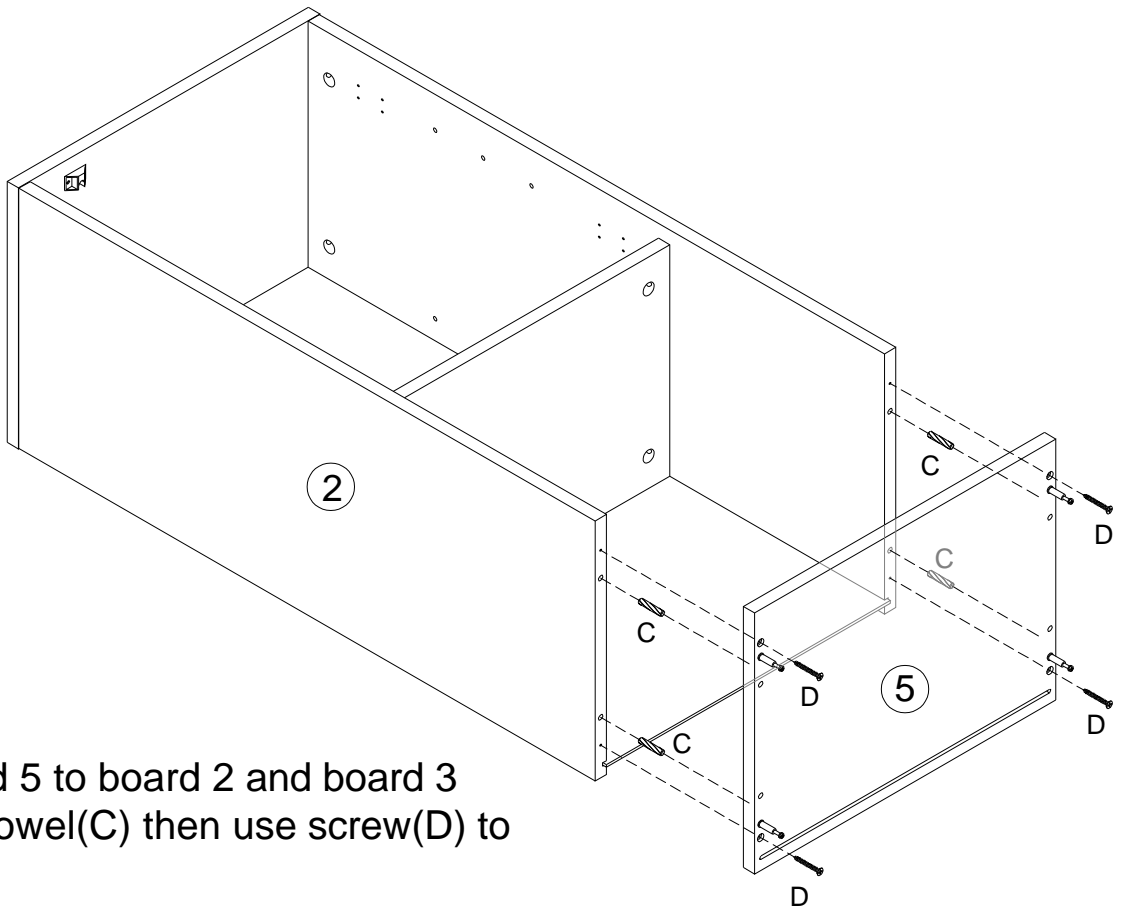
## Step 7

Put the board 19 into cabinet as shown.







## Step 8

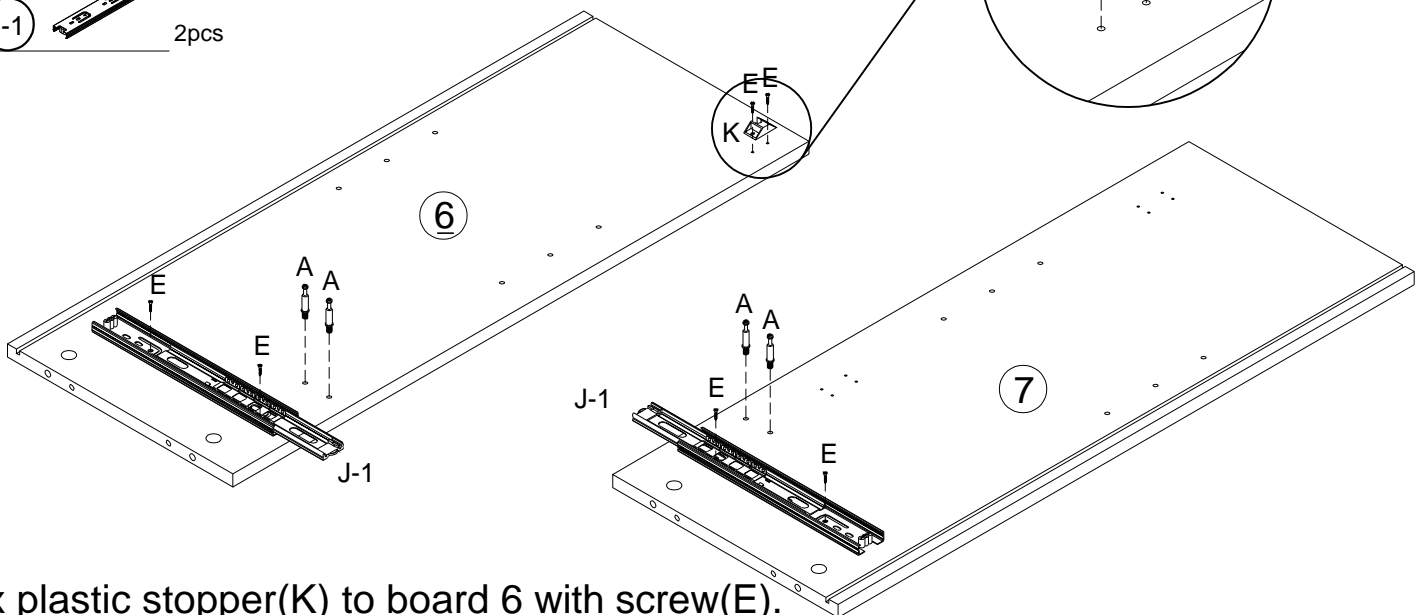
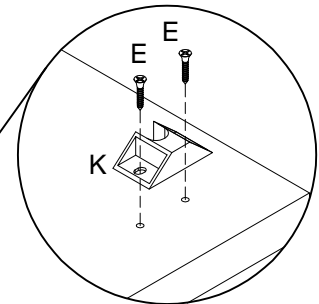
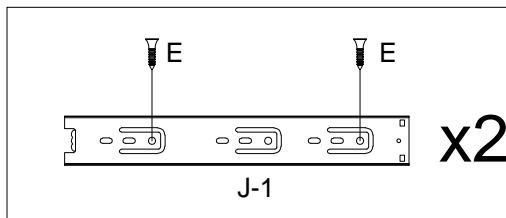
- Ⓒ  4pcs
- Ⓓ  4pcs



Attached board 5 to board 2 and board 3 with wooden dowel(C) then use screw(D) to fix as shown.

## Step 9

- Ⓐ  4pcs
- Ⓔ  6pcs
- Ⓚ  1pcs
- Ⓝ-1  2pcs



Fix plastic stopper(K) to board 6 with screw(E).

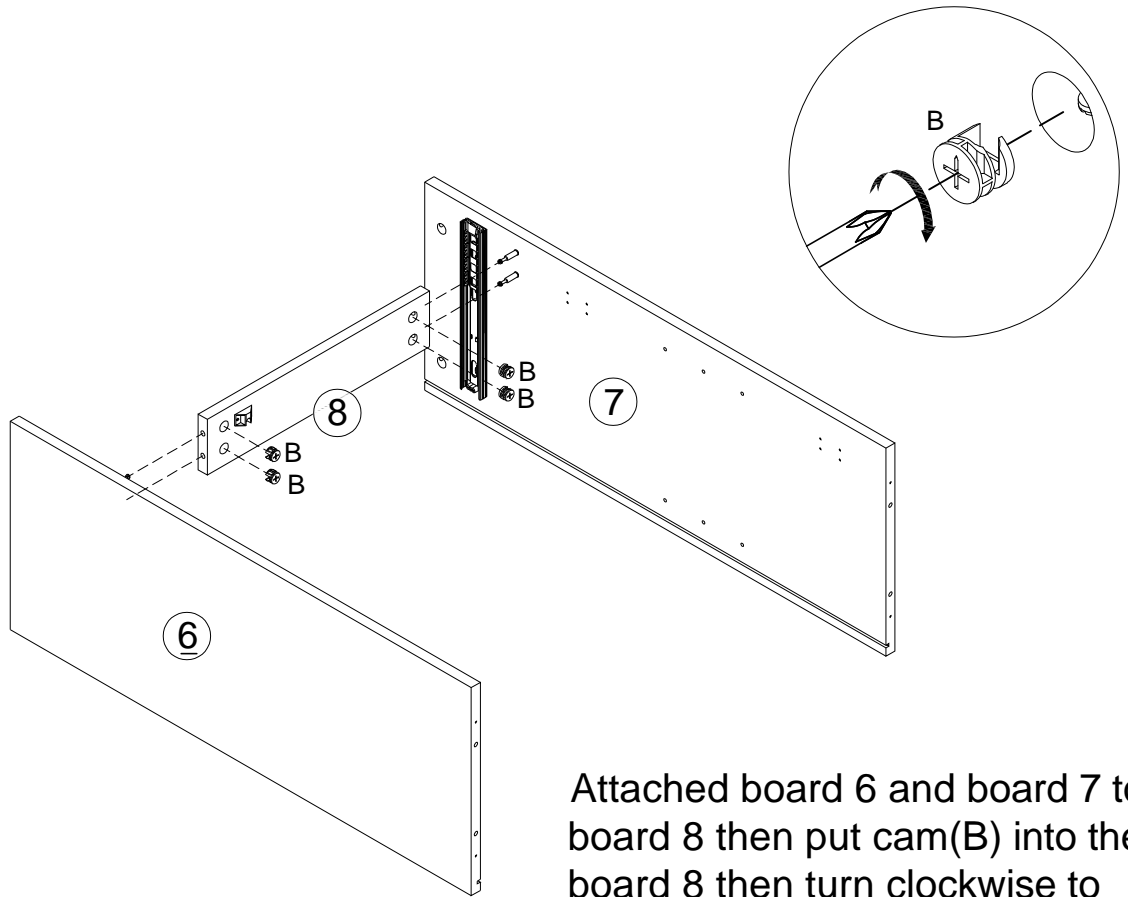
Fix cam bolt(A) to the board 7 and board 8.

Fix runner(J-1) to the board 6 and board 7 with screw(E) as shown.



## Step 10

ⓑ  4pcs

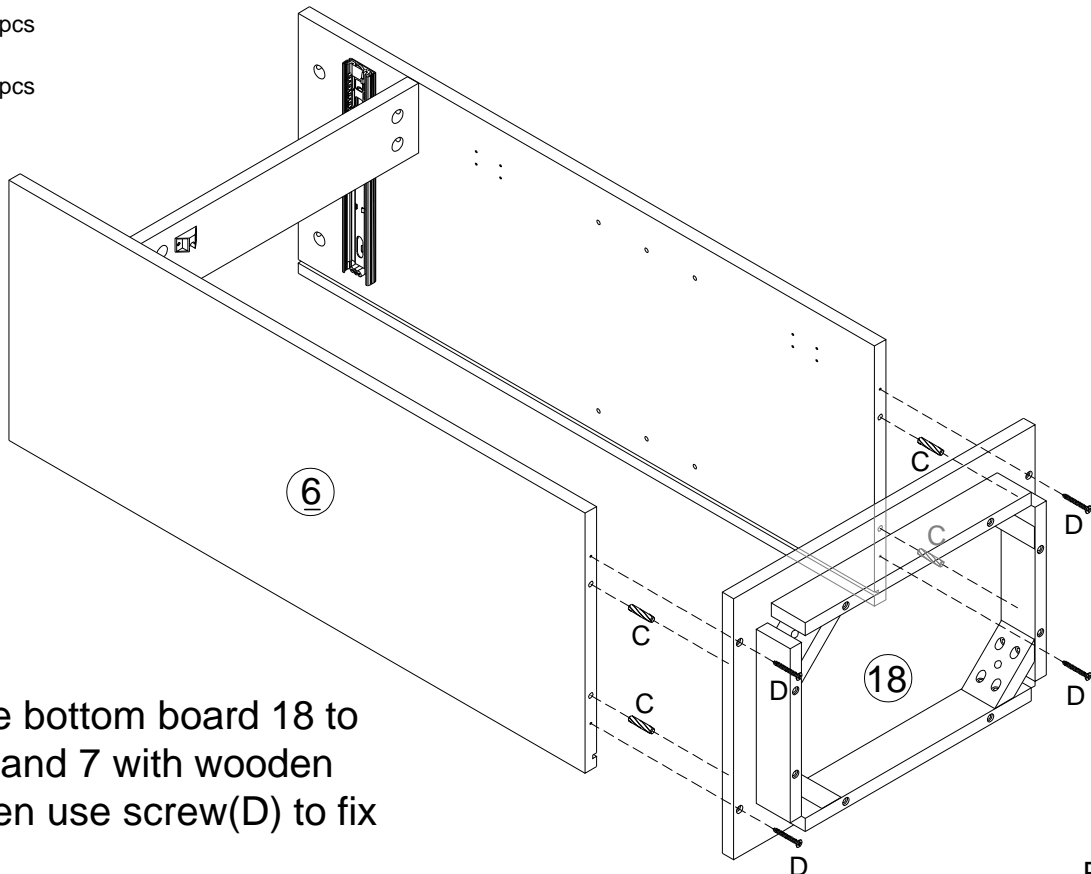


Attached board 6 and board 7 to board 8 then put cam(B) into the board 8 then turn clockwise to tighten as shown.

## Step 11

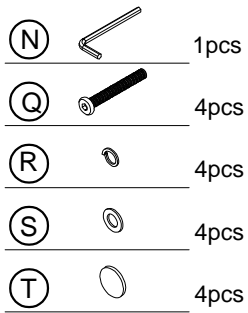
ⓒ  4pcs

ⓓ  4pcs

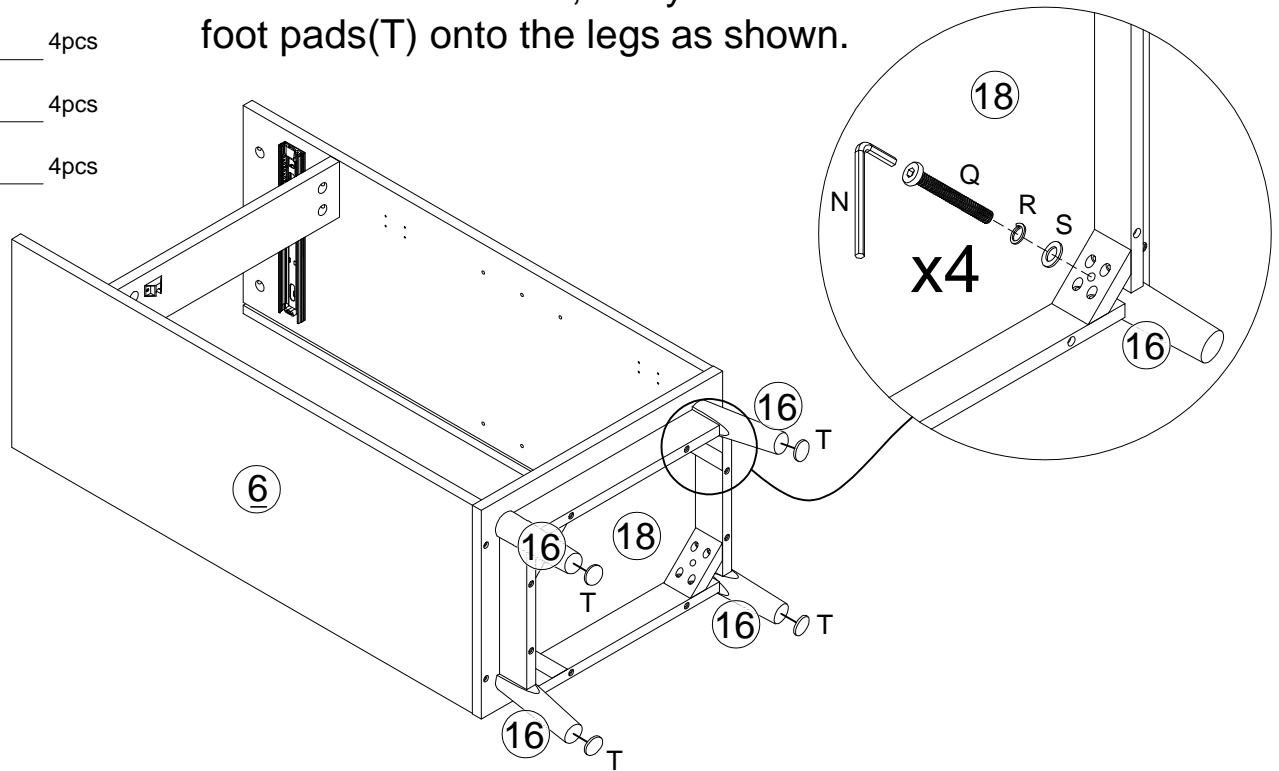


Attached the bottom board 18 to the board 6 and 7 with wooden dowel(C) then use screw(D) to fix as shown.

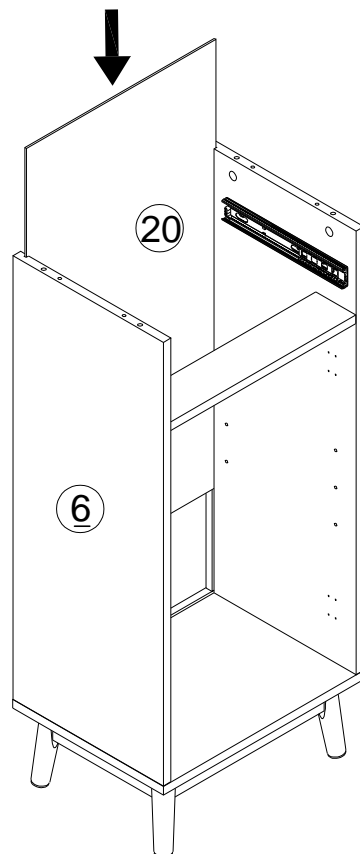
## Step 12



Connect leg 16 to the frame on the board 18, put metal plate(S) and (R) onto the screw rod(Q) at first then tighten the screw rod(Q) with an Allan wrench, finally stick the foot pads(T) onto the legs as shown.








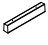


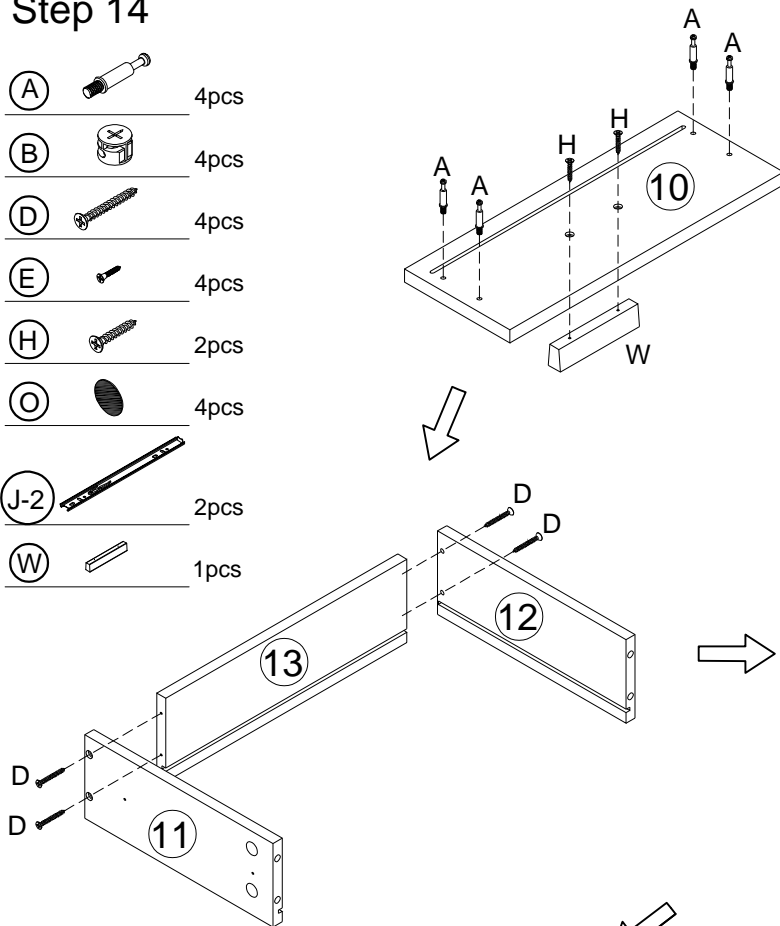
## Step 13



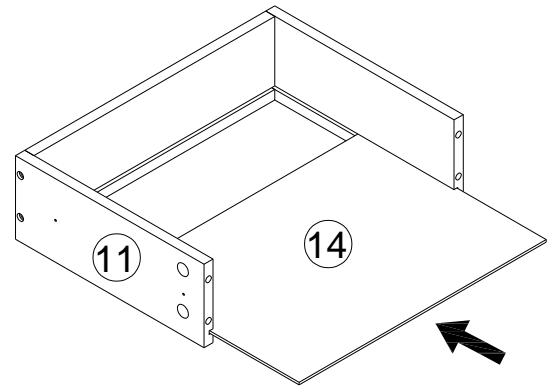
Put the board 20 in the cabinet as shown.

## Step 14

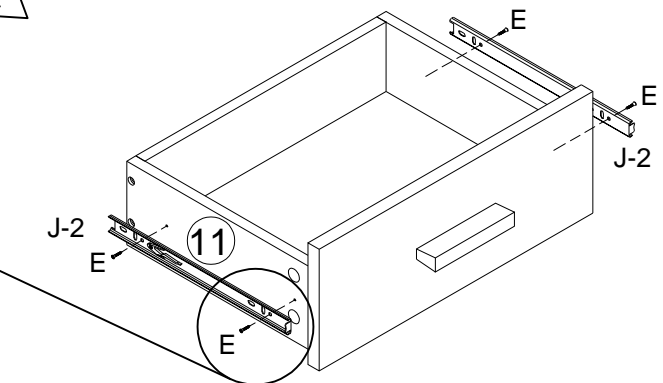
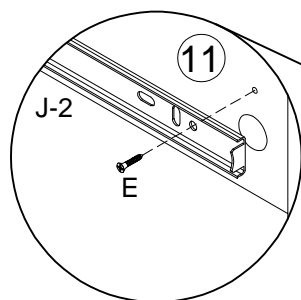
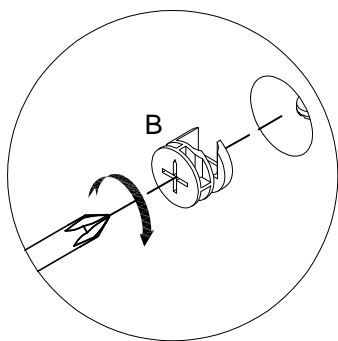
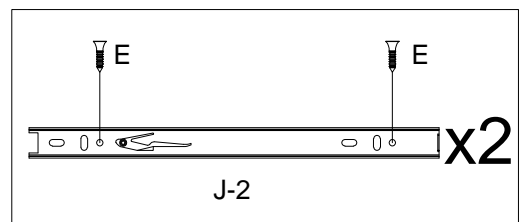
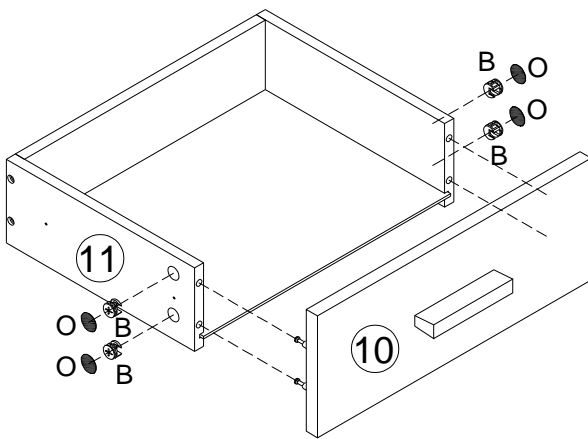
- (A)  4pcs
- (B)  4pcs
- (D)  4pcs
- (E)  4pcs
- (H)  2pcs
- (O)  4pcs
- (J-2)  2pcs
- (W)  1pcs



Attached board 11 and board 12 to the board 13 with screw(D). Fix cam bolt(A) to the board 10 and fix the handle(W) to the board 10 with screw(H). Put the board 14 into the bottom groove of the board 11 and board 12 as shown.






Attached board 10 to the board 11 and 12, put cam(B) into the board 11 and board 12 then turn clockwise to tighten, stick the hole with sticker(O) as shown.

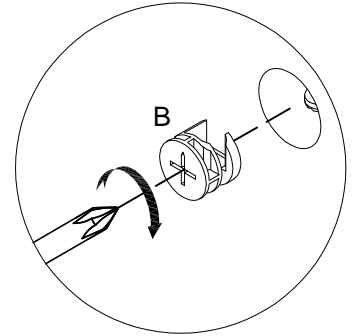
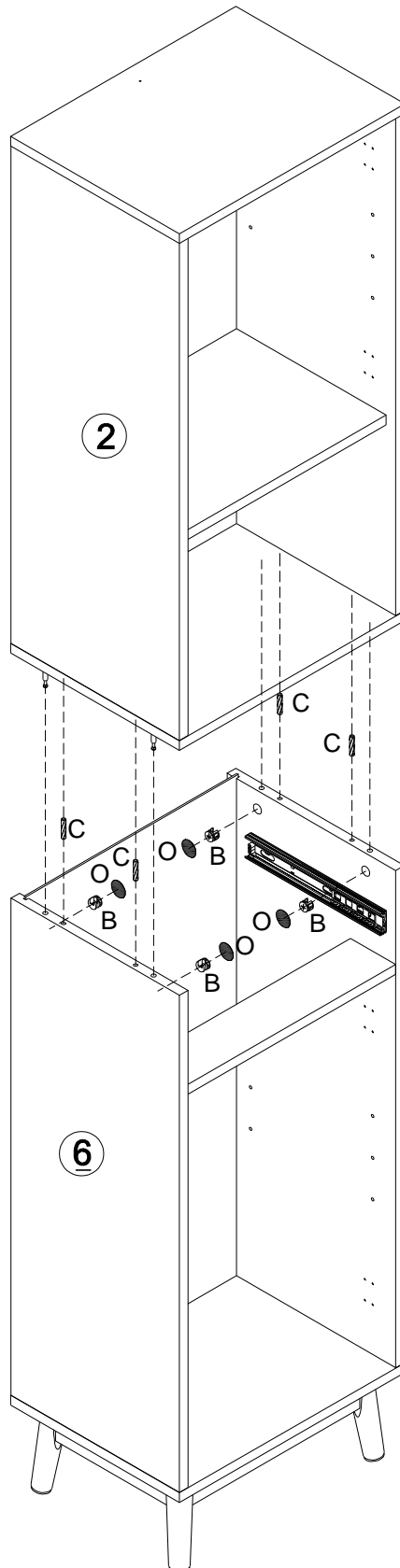


Fix the runner(J-2) to the board 11 and board 12 with screw (E) as shown.

## Step 15

-  4pcs
-  4pcs
-  4pcs

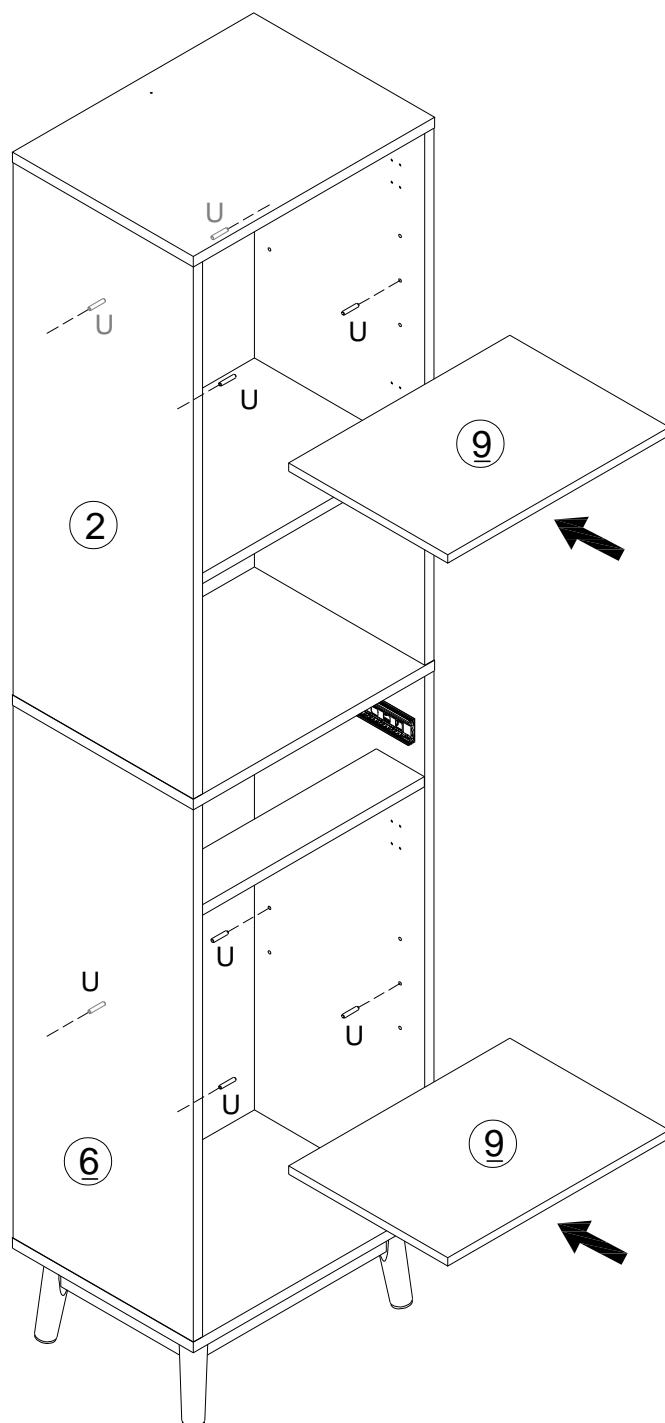
Connect the top cabinet to the bottom cabinet with wooden dowel(C) first then put the cam(B) into the board 6 and board 7 turn clockwise to tighten, stick the holes with sticker(O) as shown.



## Step 16

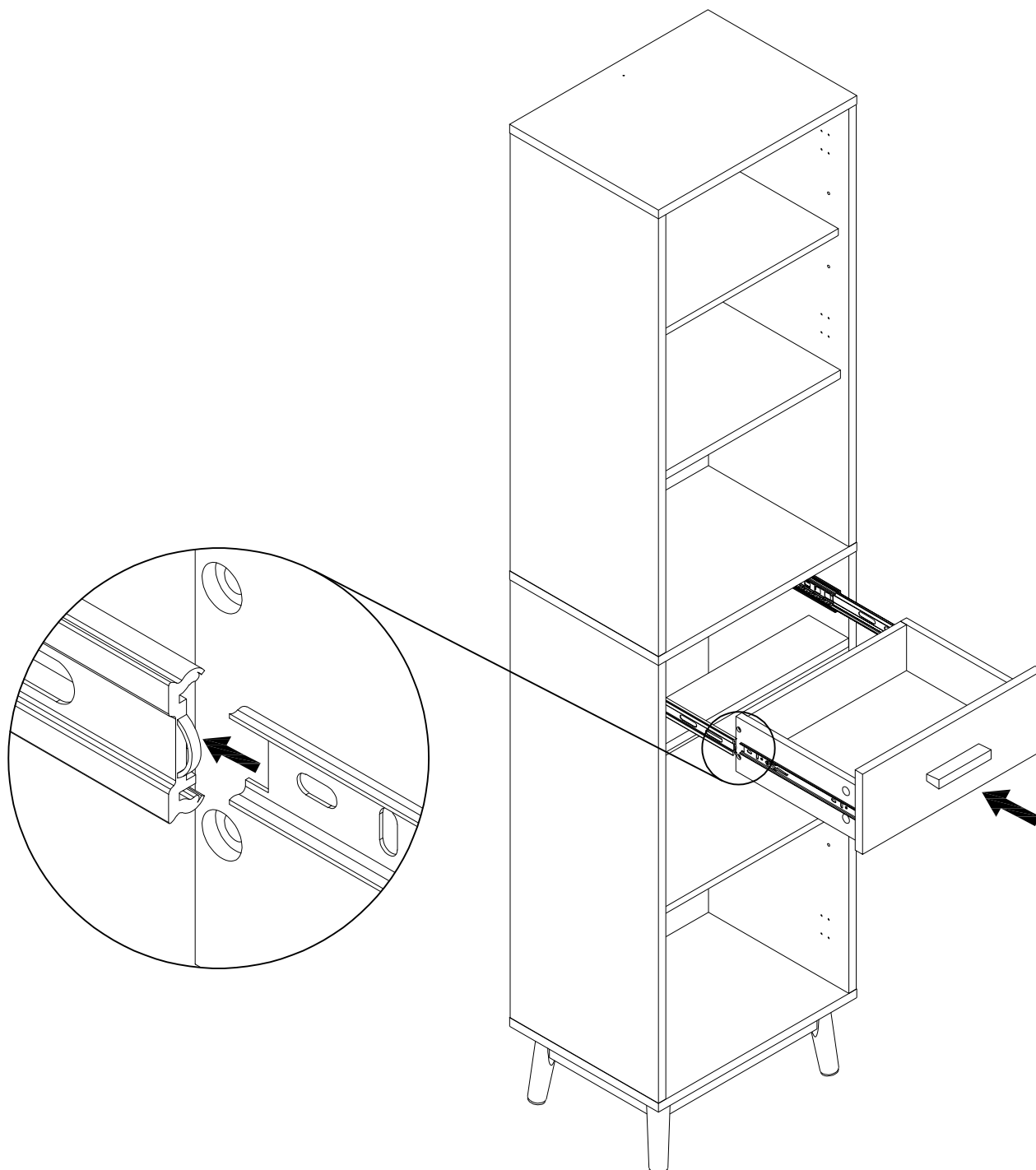
Ⓢ 8pcs

Insert the shelf support(U) to the cabinet then put the board 9 into the cabinet as shown.




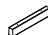


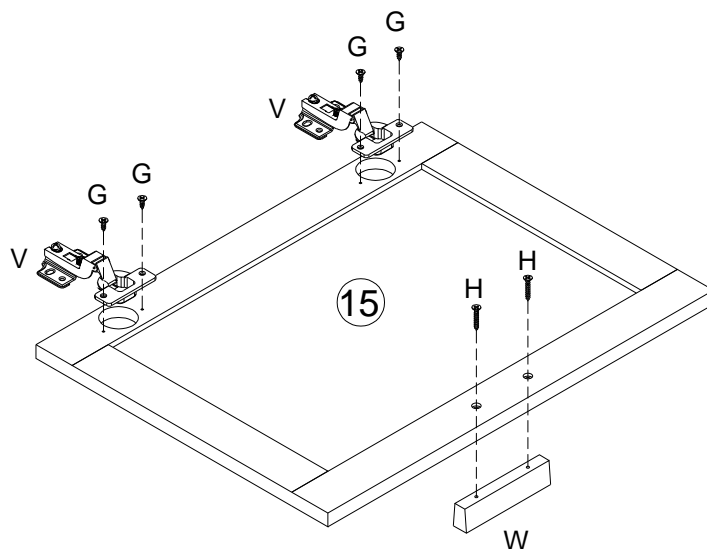
## Step 17

Put the drawer into the cabinet as shown.

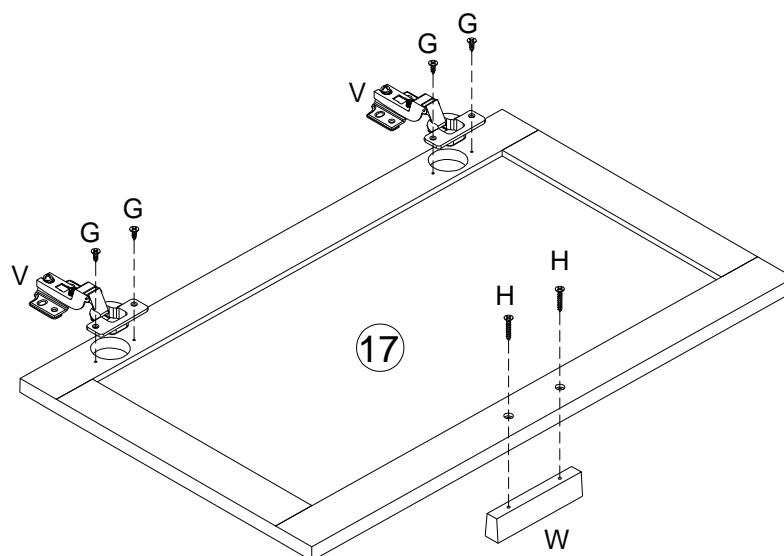


## Step 18

Ⓒ		8pcs
Ⓗ		4pcs
⒱		4pcs
⒱		2pcs

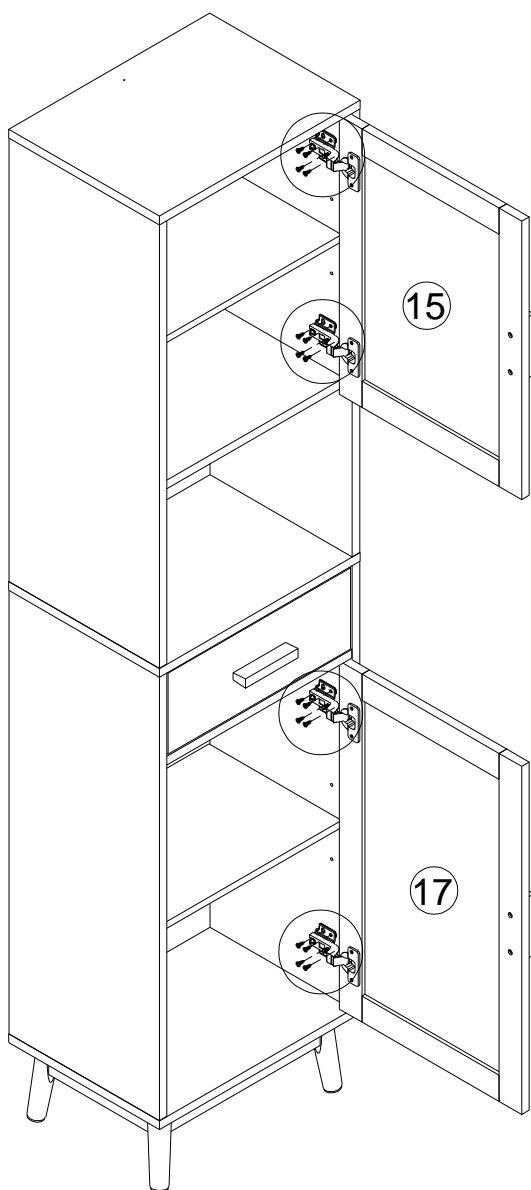


Fix the hinge(V) to the board 15 and board 17 with screw(G) then fix the handle(W) to the board 15 and board 17 with screw(H) as shown.

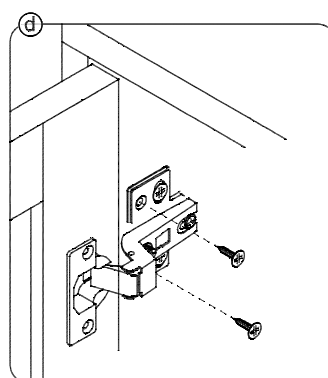
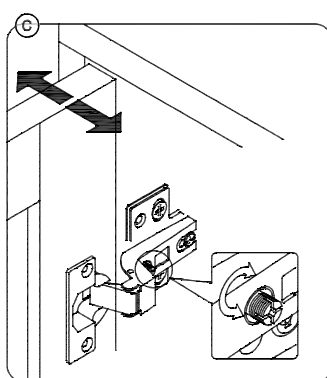
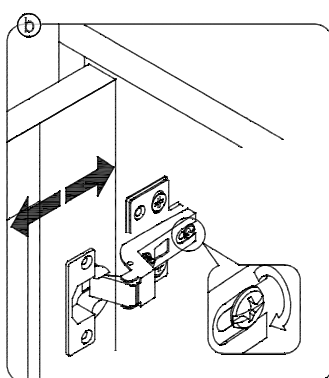
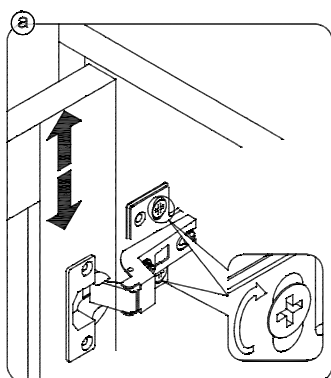
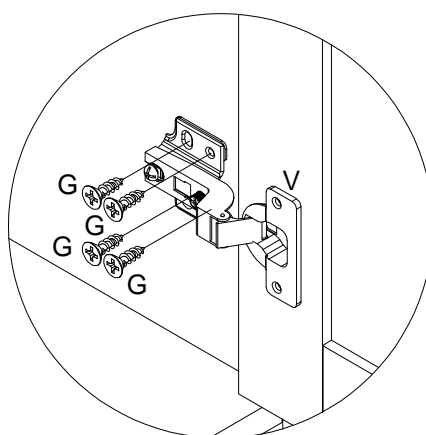


# Step 19

Ⓒ  16pcs





Fix the door 15 and 17 to the cabinet with screw(G) as shown.

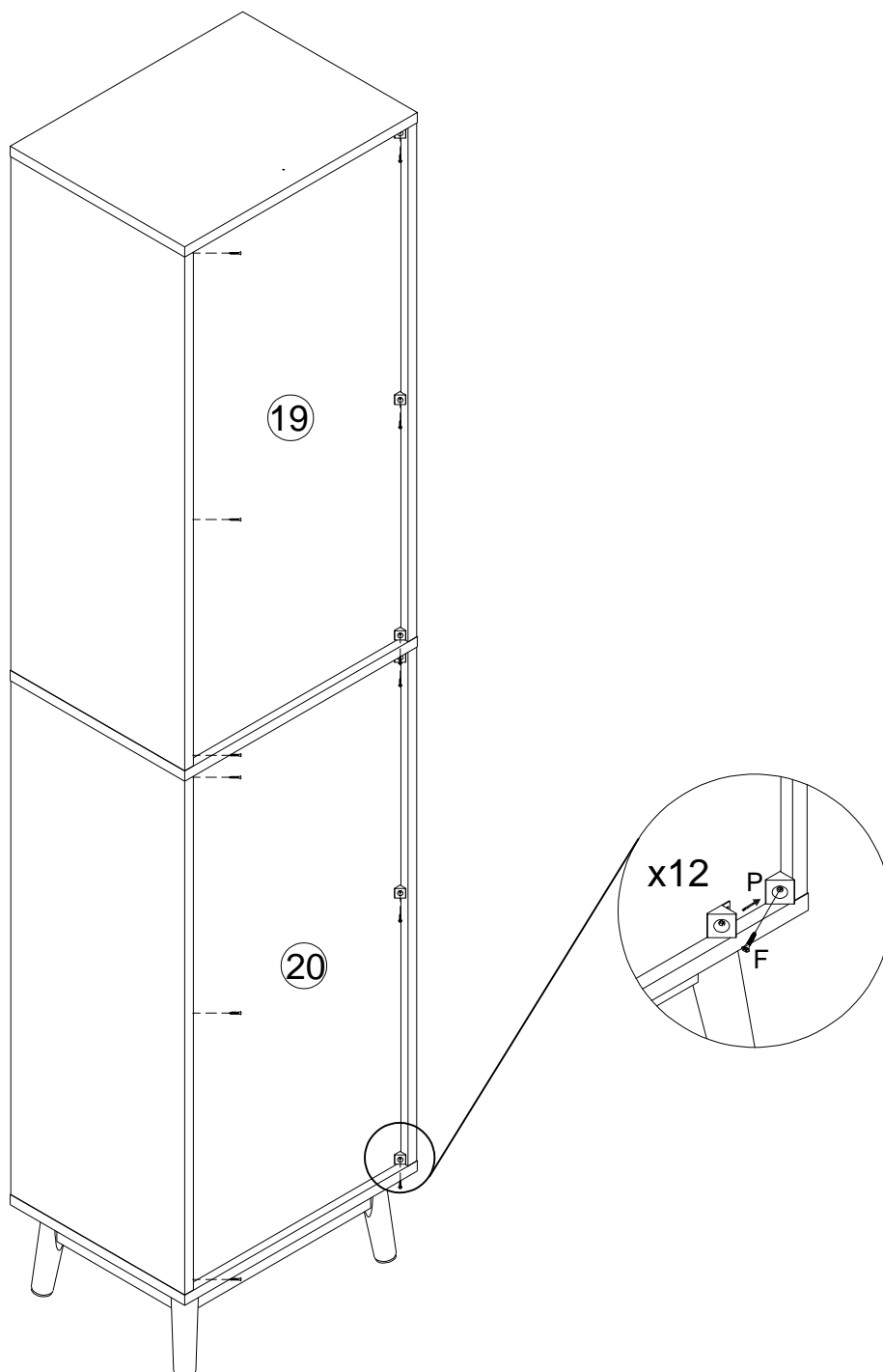




## Step 20

(F)		12pcs
(P)		12pcs

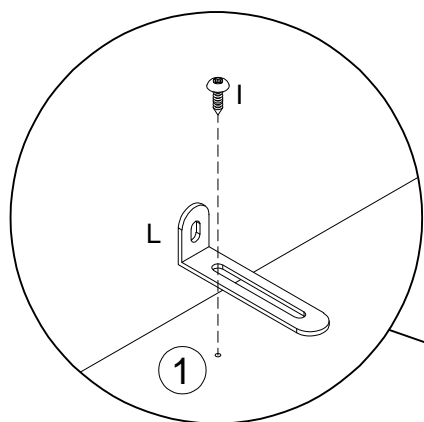
Fix the back bracket(P) to the back of the cabinet with screw(F) as shown.



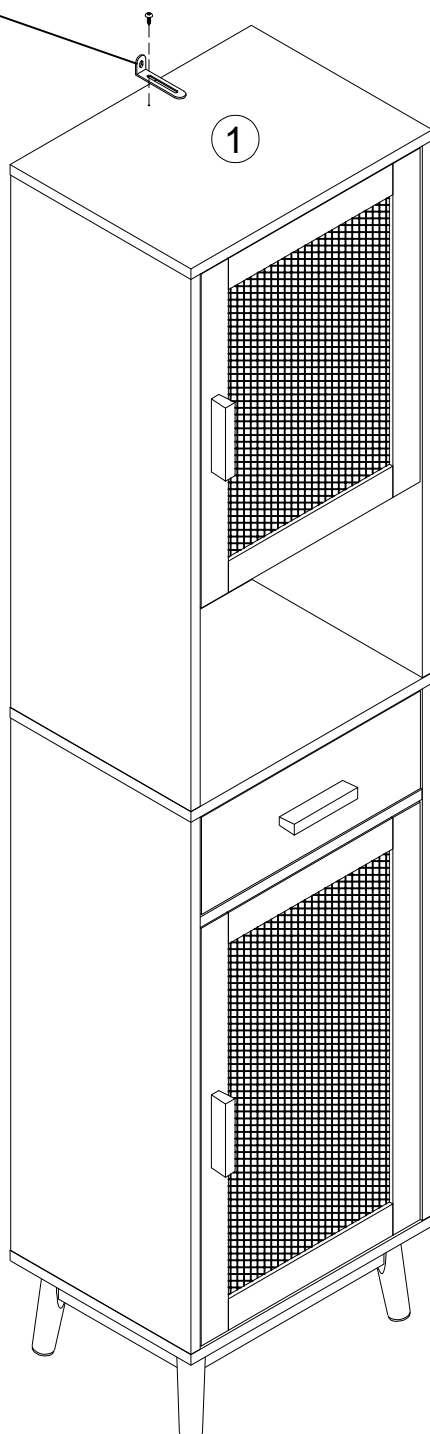
## Step 21

ⓐ 1pcs

Ⓛ 1pcs



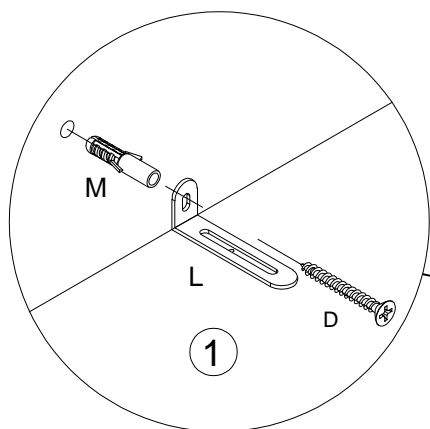
Fix the L wall fixing(L) to the cabinet with screw(I) as shown.



## Step 22

Ⓓ 1pcs

Ⓜ 1pcs



Drill holes on your wall and install anti-tipping device as shown.

