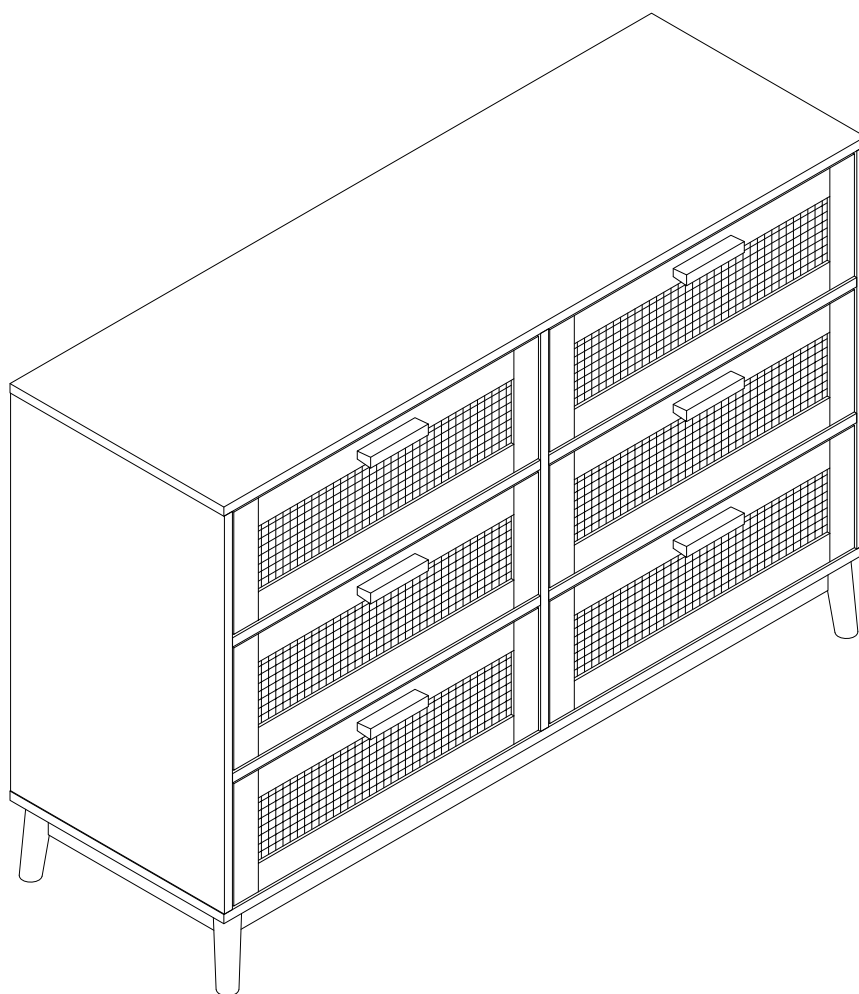


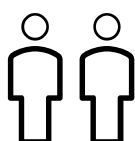
6 Drawer Chest



THIS INSTRUCTION BOOKLET CONTAINS IMPORTANT SAFETY INFORMATION
PLEASE READ AND KEEP FOR FUTURE REFERENCE.



60 minutes approx
assembly time



Two adults
assembly required

This product is intended for domestic use only, not for commercial purposes.

Important

Assembly Tip

Before you begin, we advise laying everything out on a clean and soft level surface to avoid damaging the unit or your floor. It's best to identify all of the parts and fittings to build your Chest, and to familiarise yourself with all of the parts and fittings before building.

Top Tip

We recommend that you build your new Chest in the room you'd like it to be located. This will help prevent any risk of damage to the product whilst moving it.

Safety and Care

1. It's important to ensure children and animals are kept away from the assembly area, as there are small components used in this Chest which could present a choking hazard. All plastic and wrapping materials should also be kept away from children and animals to prevent any risk of suffocation.
2. Do not stand on your product.
3. Always use the item on firm level ground, ensuring all legs remain in contact with the ground.
4. Place heaviest items in the lowest drawers.
5. Do not set TV or other heavy objects on top of the product.
6. Children should always be under supervision whilst using this product. Never allow children to climb on the drawers.
7. Never keep more than one drawer open at the same time.
8. The installation of anti tipping kit to secure your furniture is strongly suggested.
9. Serious or fatal crushing injuries can occur from tipping furniture.

Help and Support

Please contact our customer service team on 0113 519 0311 if you have any questions or issues with your purchase.

Recycling

Please ensure that packaging is disposed of in a safe and environmentally friendly way, and recycle where possible. Please keep your assembly instructions safe to refer back to in the future.

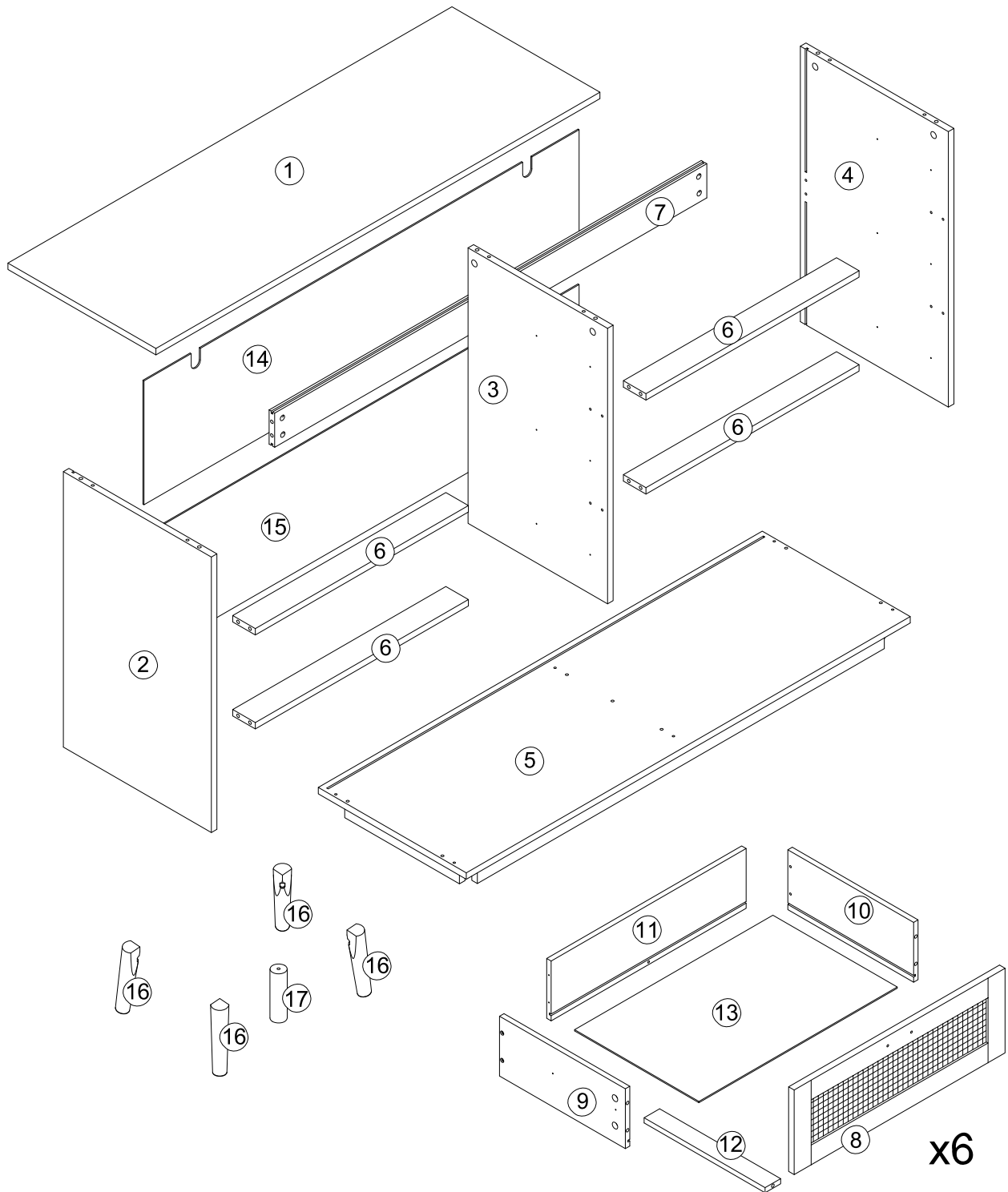
Care and Maintenance

1. Only clean using a damp cloth, do not use bleach or abrasive cleaners as they may damage the finish over time.
3. Do not scrub or rub the surface when cleaning.
2. Do not use a very wet cloth or allow any liquid to contact with the veneer for a long period of time. Wipe any spillage immediately. Absorption can cause wood to warp or finishes to de-laminate.
4. Do not drag the Chest when moving, lift it off the floor instead.
5. Use a placemat or a coaster when putting hot items (e.g. hot drinks and dishes) on the wood surface.
6. It is not recommended to place the item next to sources of heat such as radiators, fires or directly exposed to sunlight. This may cause the wood to crack, split or fade due to the change of the humidity and temperature.
7. Wood will mellow and change colour over time, we recommend that ornaments and items placed on the surface to be moved regularly to prevent uneven mellowing.
8. Regularly check all fixings to ensure none have come loose. Re-tighten if necessary.
9. Avoid sharp items such as a screwdriver or any pointy tools.

Parts checklist

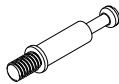

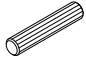
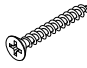

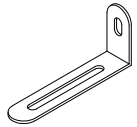
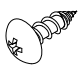


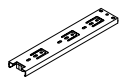
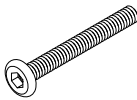


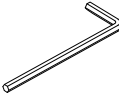




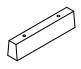

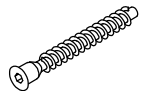
Please check you have all the parts listed below with your product:

Do not discard any of the packaging until you have checked that you have all the parts and the pack of fixings.

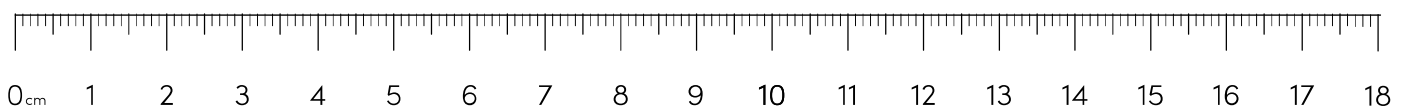


Fittings checklist

Please check you have all the fittings listed below with your product:

 <p>A 36mm Cam bolt x 56 pcs (+ 1 extra)</p>	 <p>B M15x9.5mm Cam x 56 pcs (+ 1 extra)</p>	 <p>C M6x30mm wood dowel x 12 pcs (+ 1 extra)</p>
 <p>D M4x35mm Screw x 38 pcs (+ 1 extra)</p>	 <p>E M3x12mm Screw X 48 pcs (+ 1 extra)</p>	 <p>F L wall fixing x 2 cs</p>
 <p>G M4x12 Screw x 2 pcs</p>	 <p>H 30mm Wall Plug x 2 pcs</p>	 <p>I M4x30mm Screw x 12 pcs (+ 1 extra)</p>
 <p>J Runner x 12 pcs</p>	 <p>K M6x50mm Screw x 4 pcs</p>	 <p>L Metal plate x 4 pcs</p>
 <p>M Metal plate x 4 pcs</p>	 <p>N L fitting x 1 pc</p>	 <p>O Felt pad x 4 pcs</p>
 <p>P Back bracket x 8 pcs</p>	 <p>Q M3x14mm Screw X 8 pcs (+ 1 extra)</p>	 <p>R Adjustment feet x 1 pc</p>
 <p>S Handle X 6 pcs</p>	 <p>T Sticker X 30 pcs (+ 1 extra)</p>	 <p>U M7x50mm Screw X 1 pc</p>

Bolt Length Ruler:

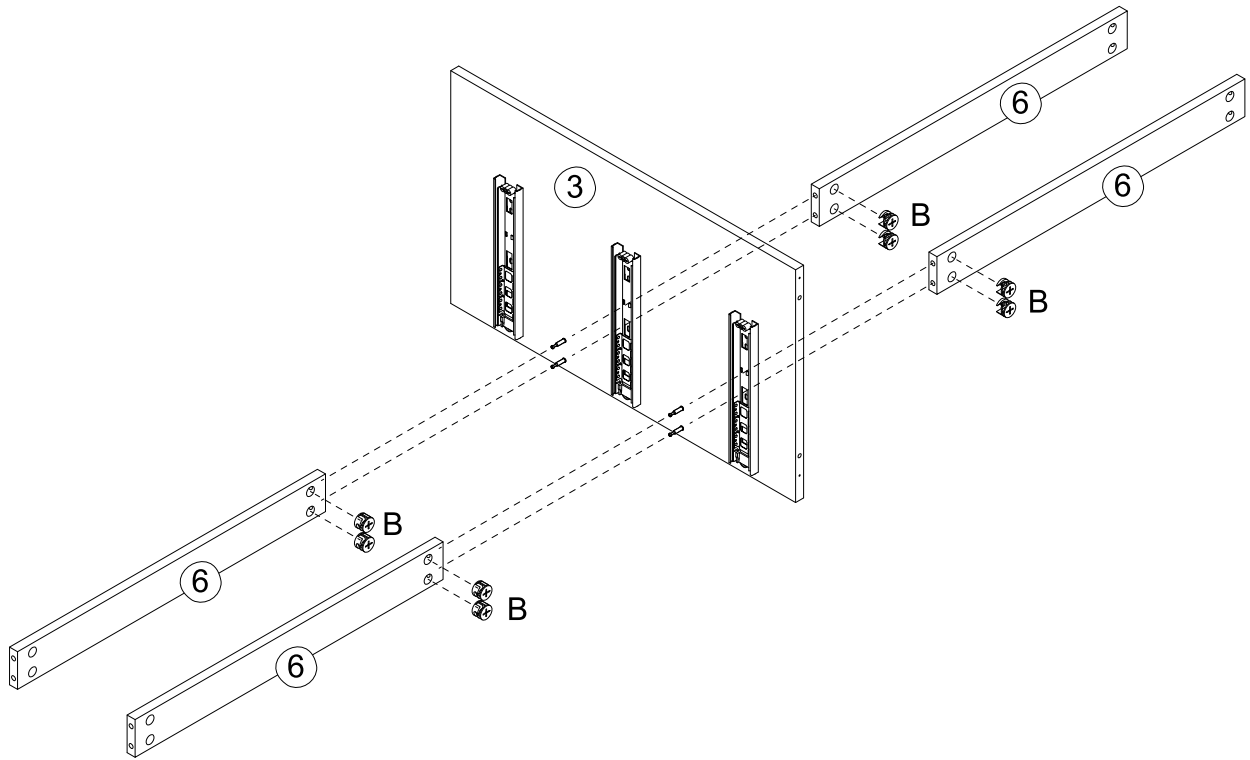


Tool required




Step3

(B)  8pcs

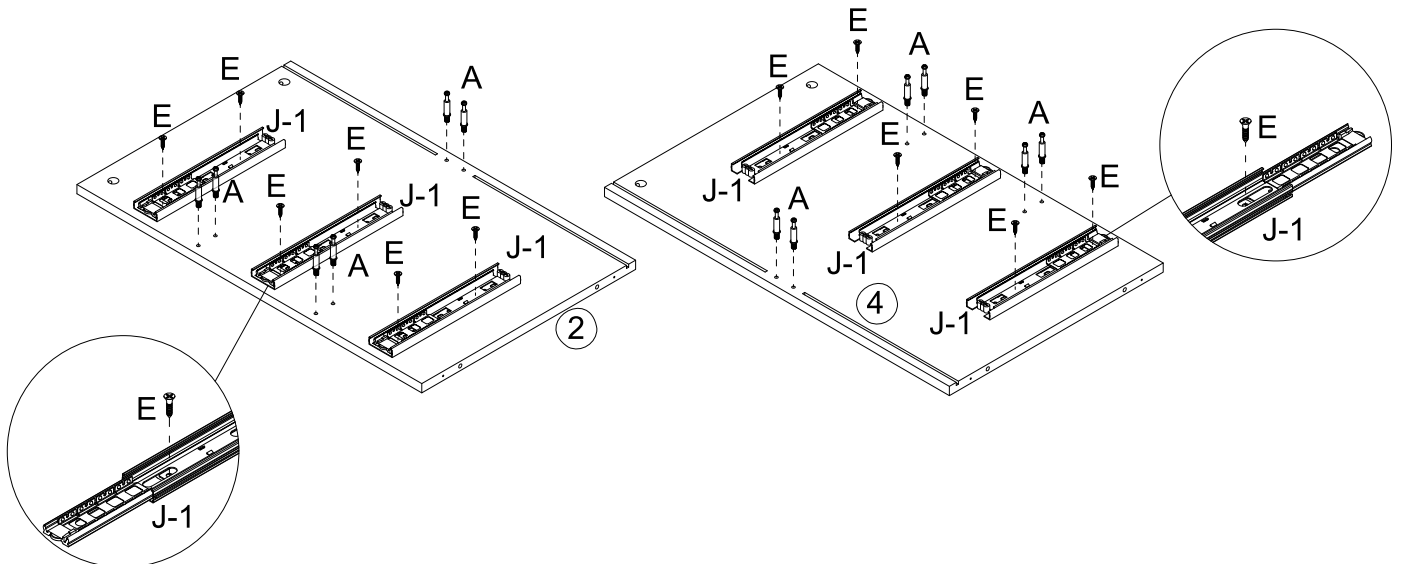
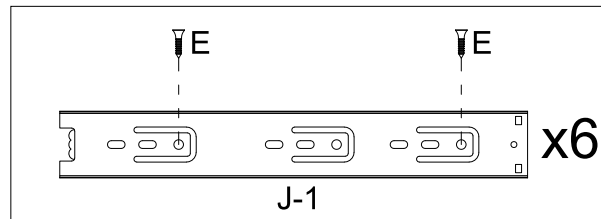


Step4

(A)  12pcs

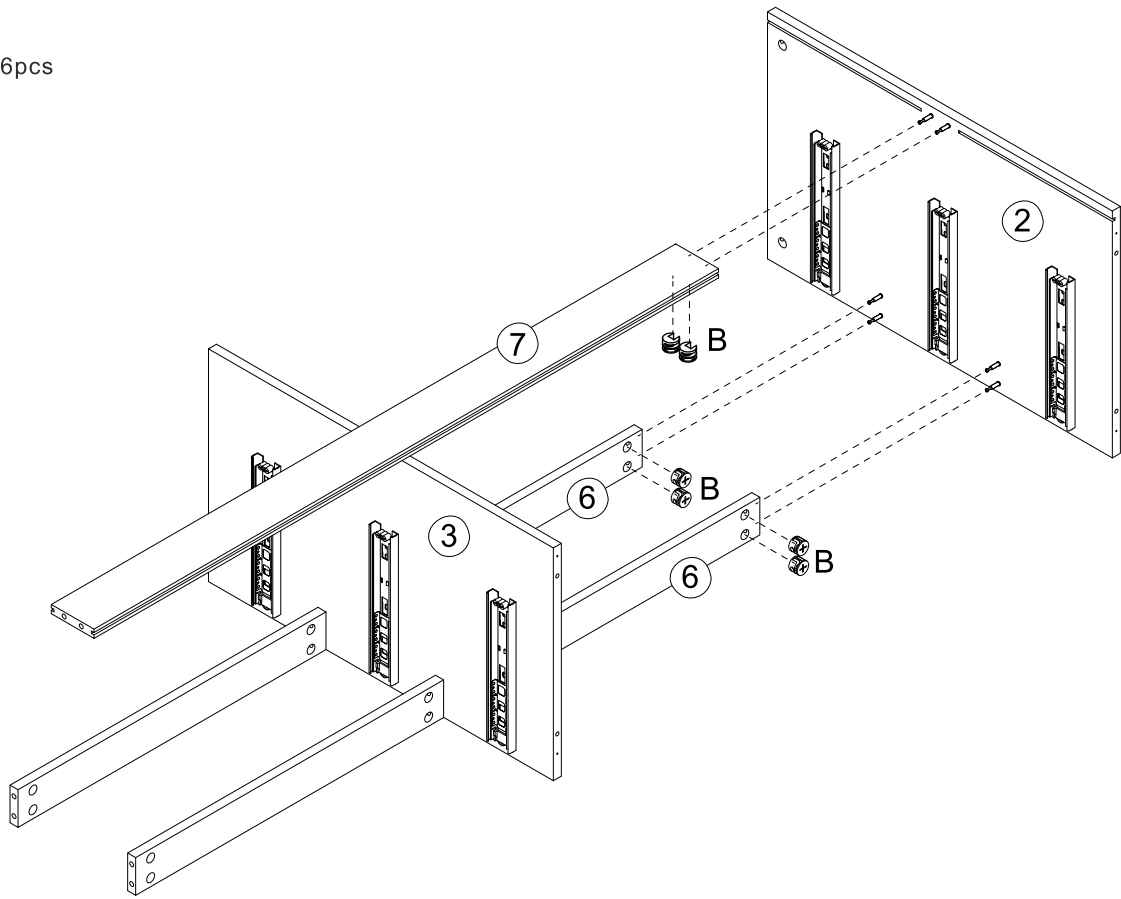
(E)  12pcs

(J-1)  6pcs



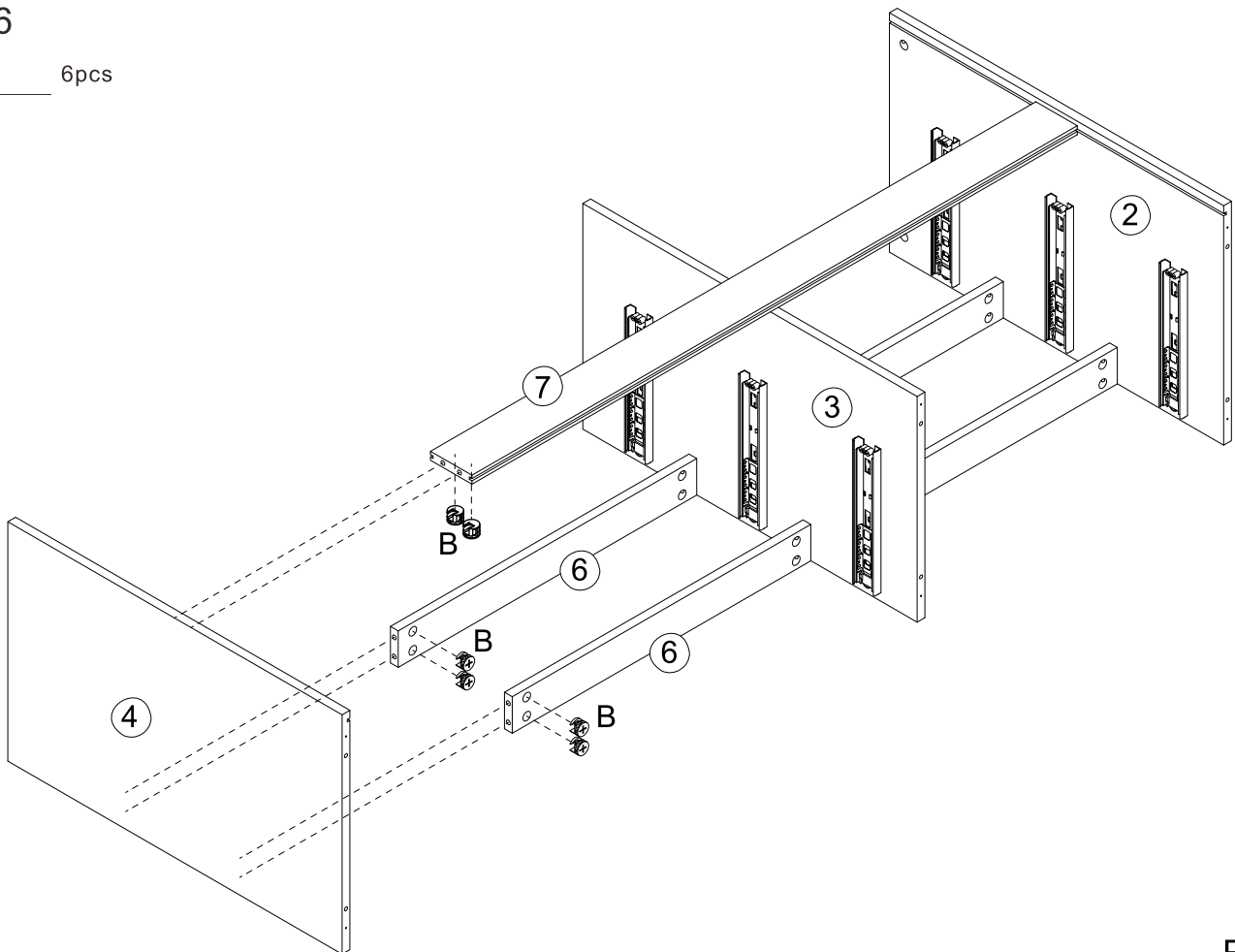
Step5

(B)  6pcs

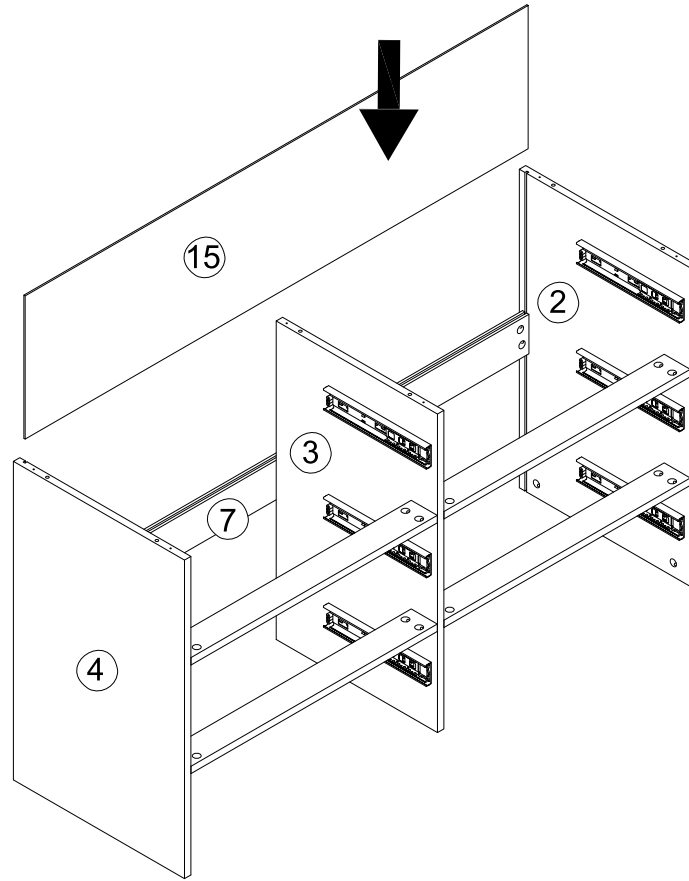


Step6




(B)  6pcs

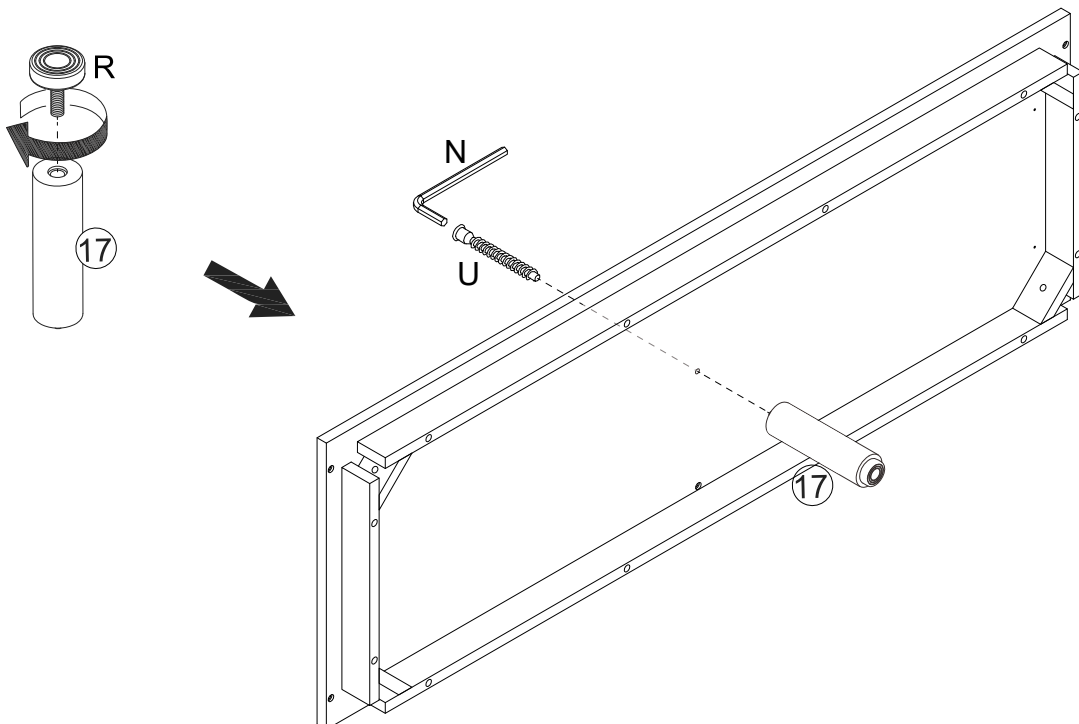


Step7



Step8

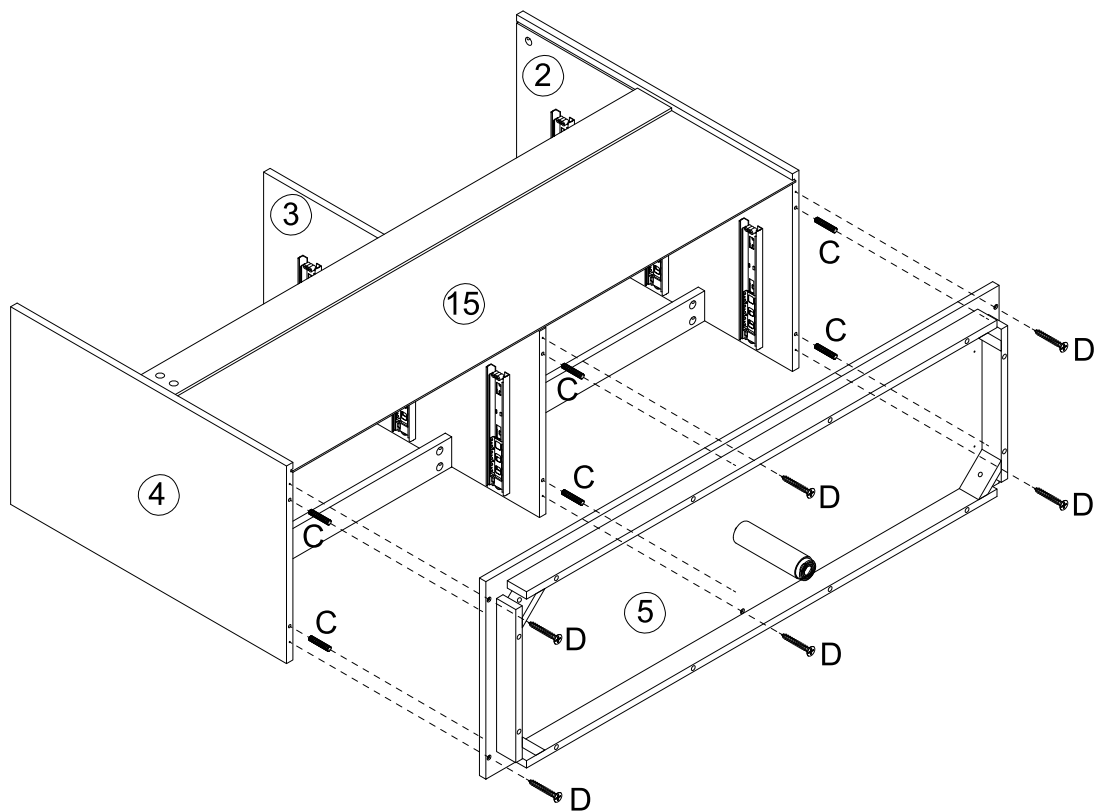
- (N)  1pc
- (U)  1pc
- (R)  1pc



Step9

Ⓒ  6pcs

Ⓓ  6pcs



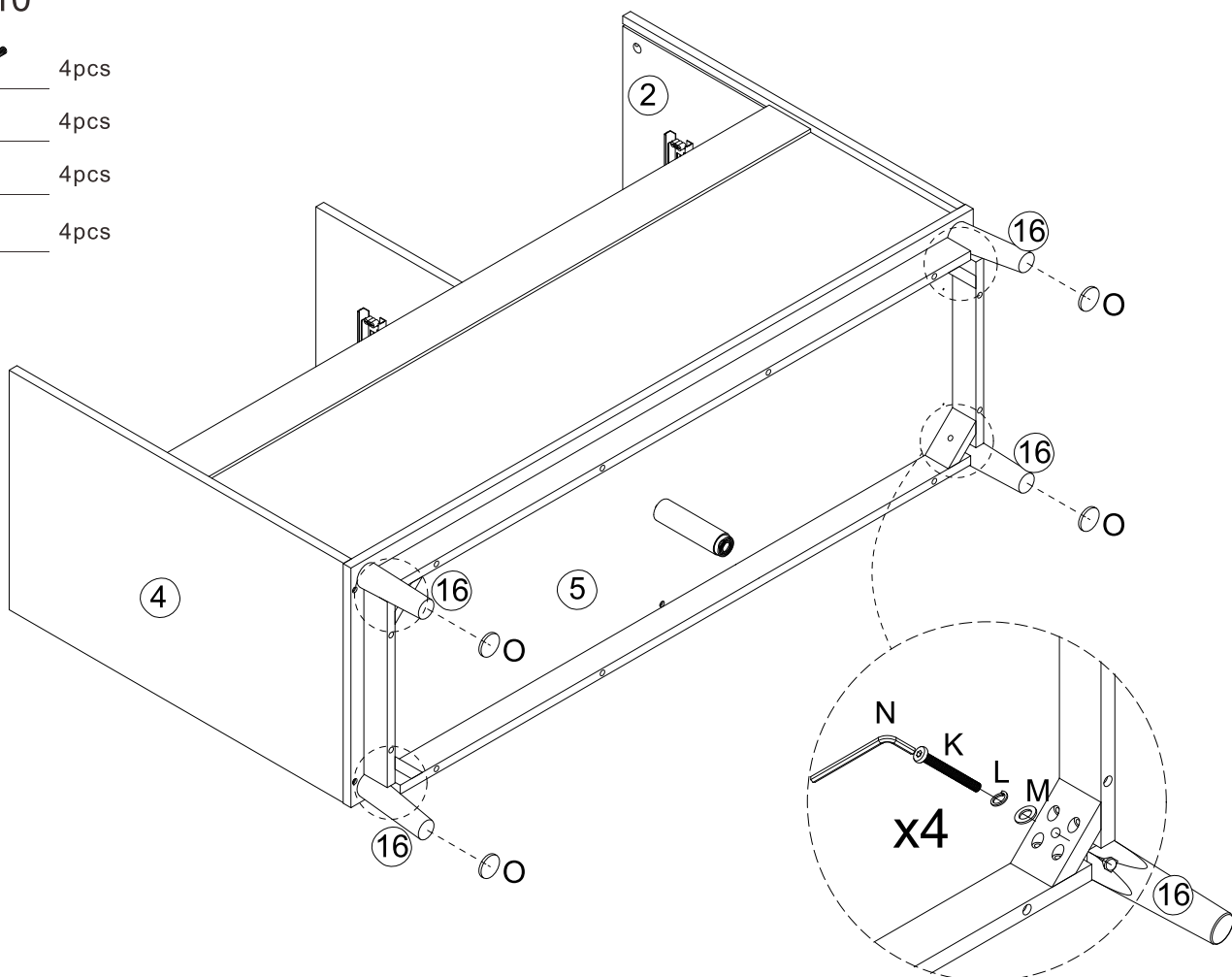
Step10

Ⓚ  4pcs

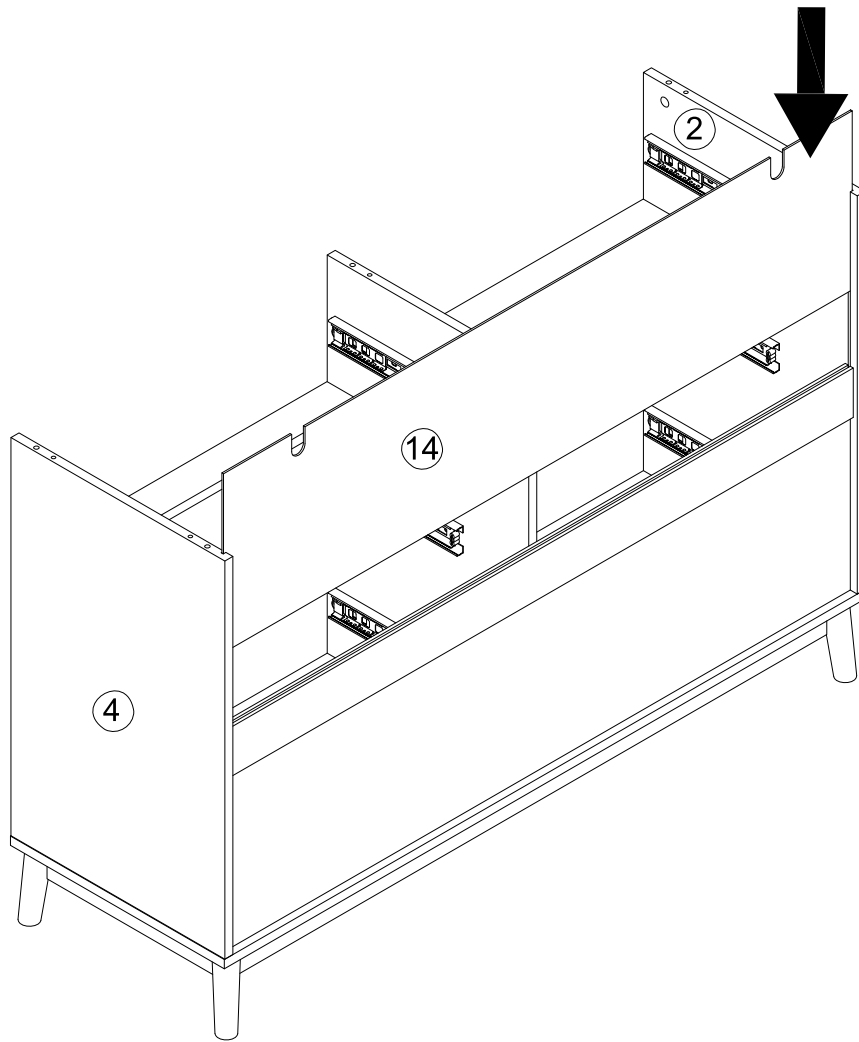
Ⓛ  4pcs

Ⓜ  4pcs




Ⓞ  4pcs

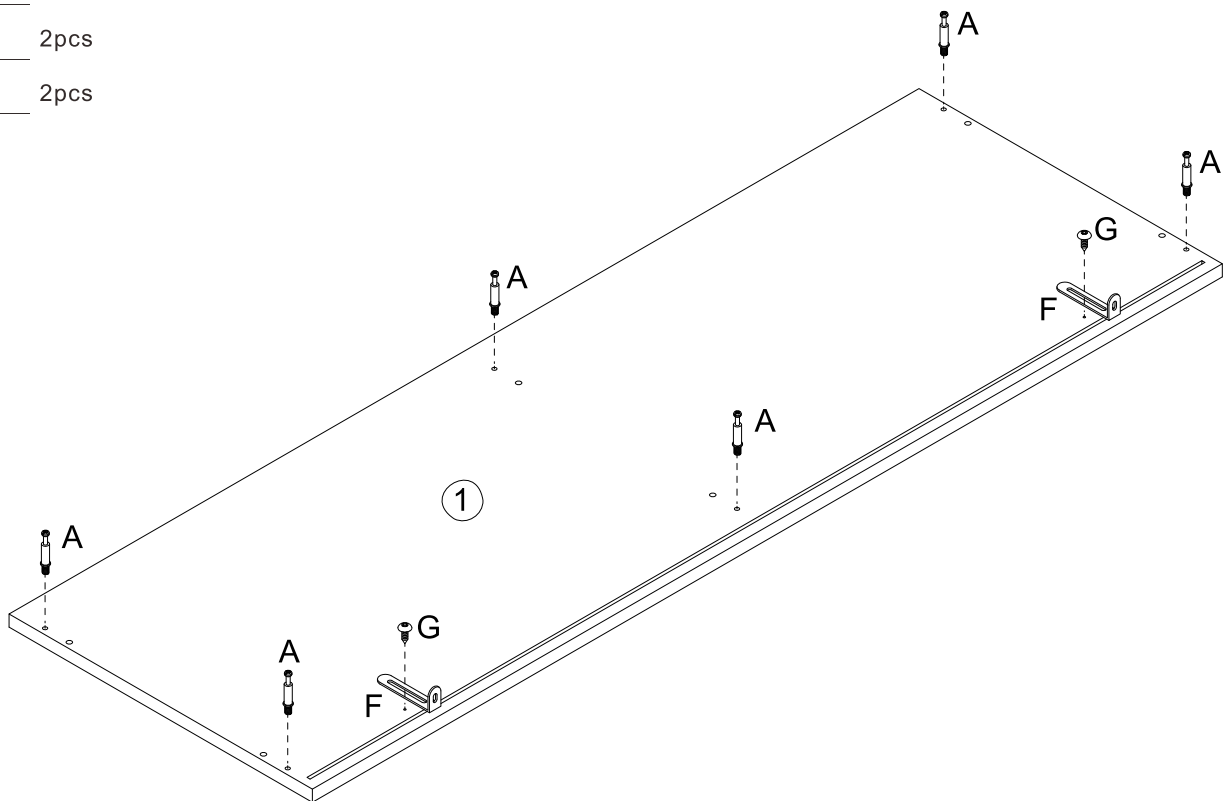


Step11






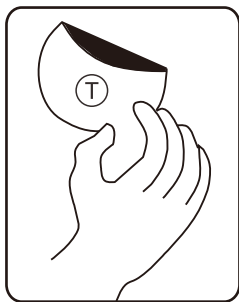
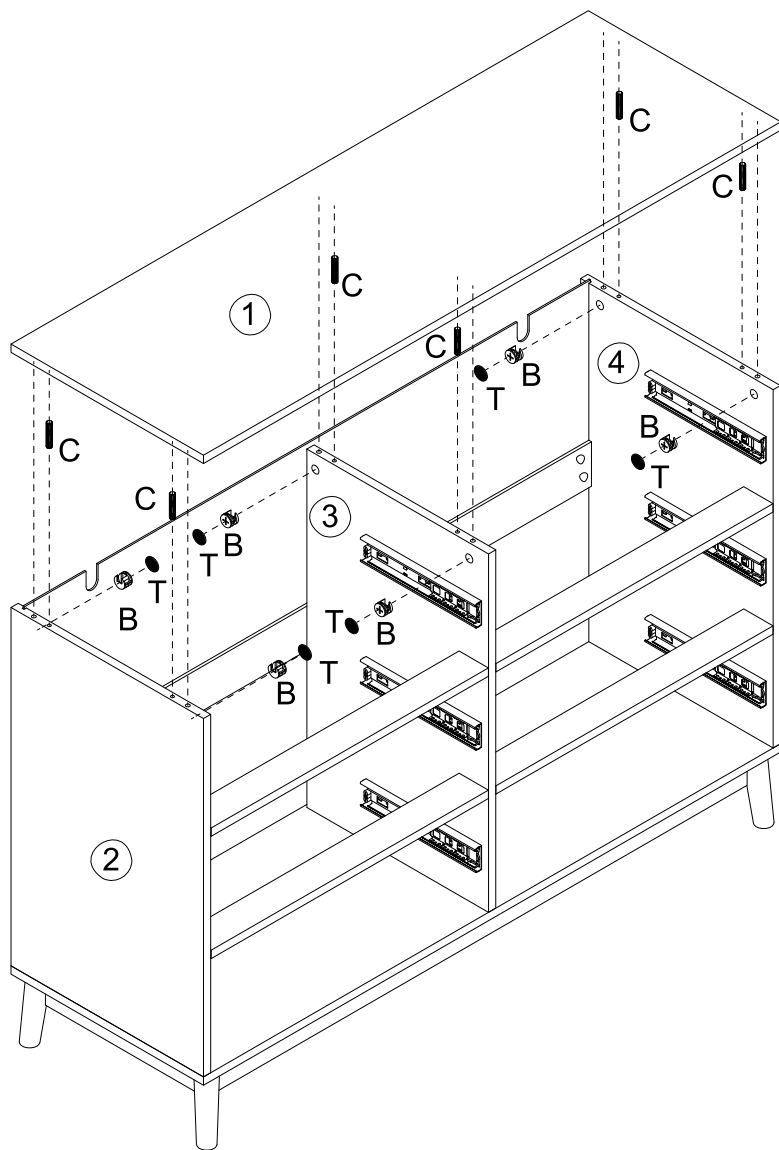
Step12

- (A)  6pcs
- (F)  2pcs
- (G)  2pcs





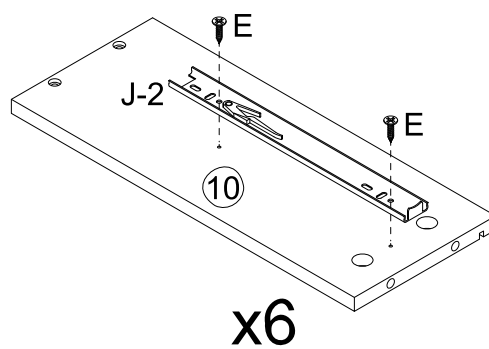
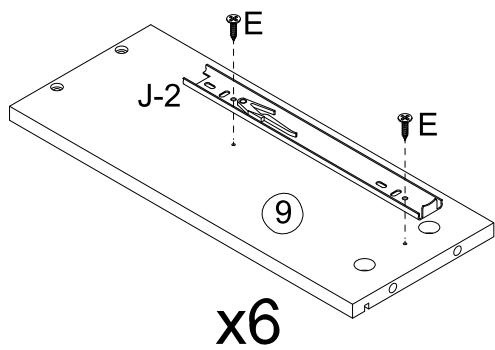
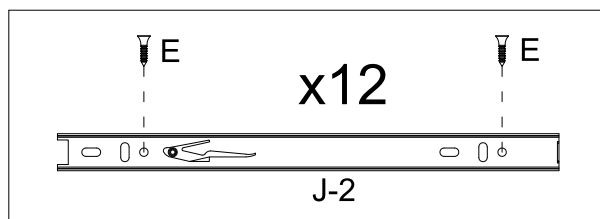
Step13

- (B)  6pcs
- (C)  6pcs
- (T)  6pcs



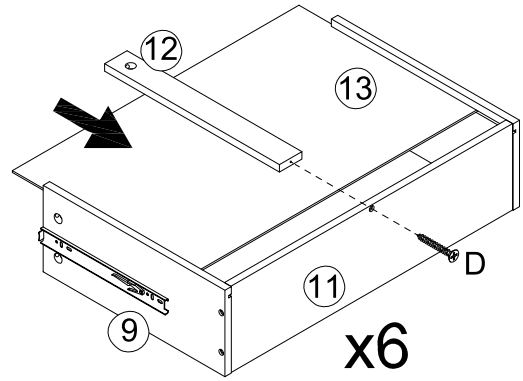
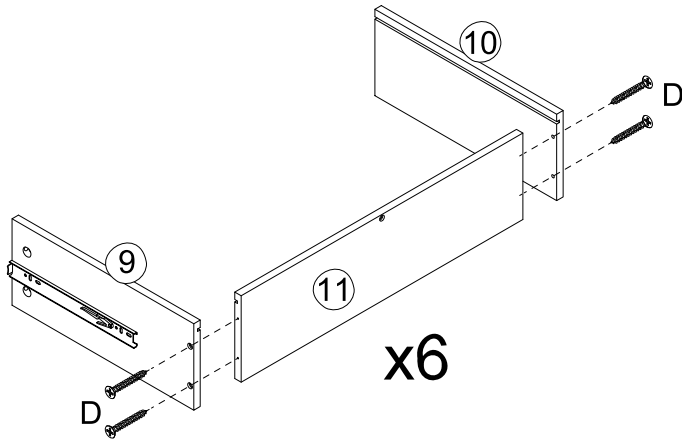
Step14

- (E)  24pcs
- (J-2)  12pcs



Step15

Ⓓ  30pcs



Step16

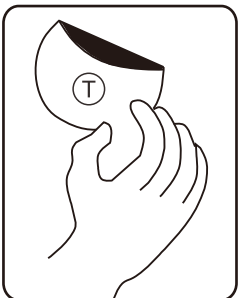
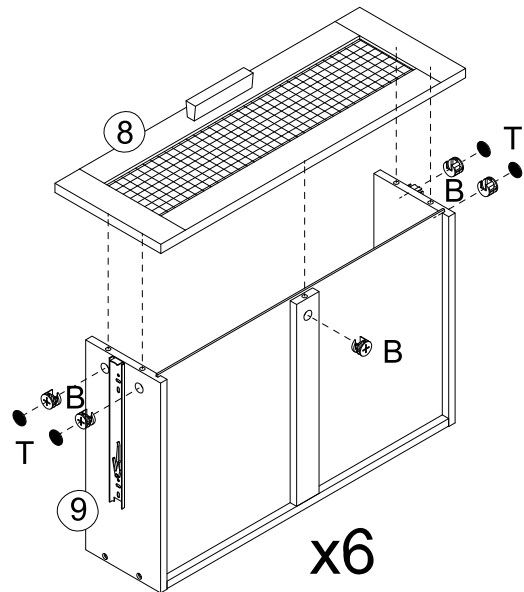
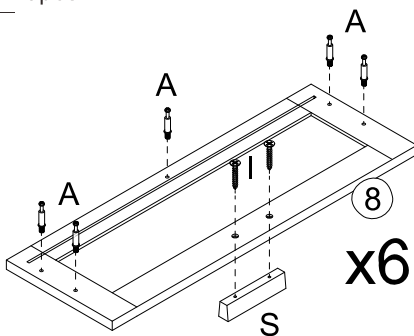
Ⓐ  30pcs

Ⓑ  30pcs

Ⓘ  12pcs


Ⓓ  24pcs

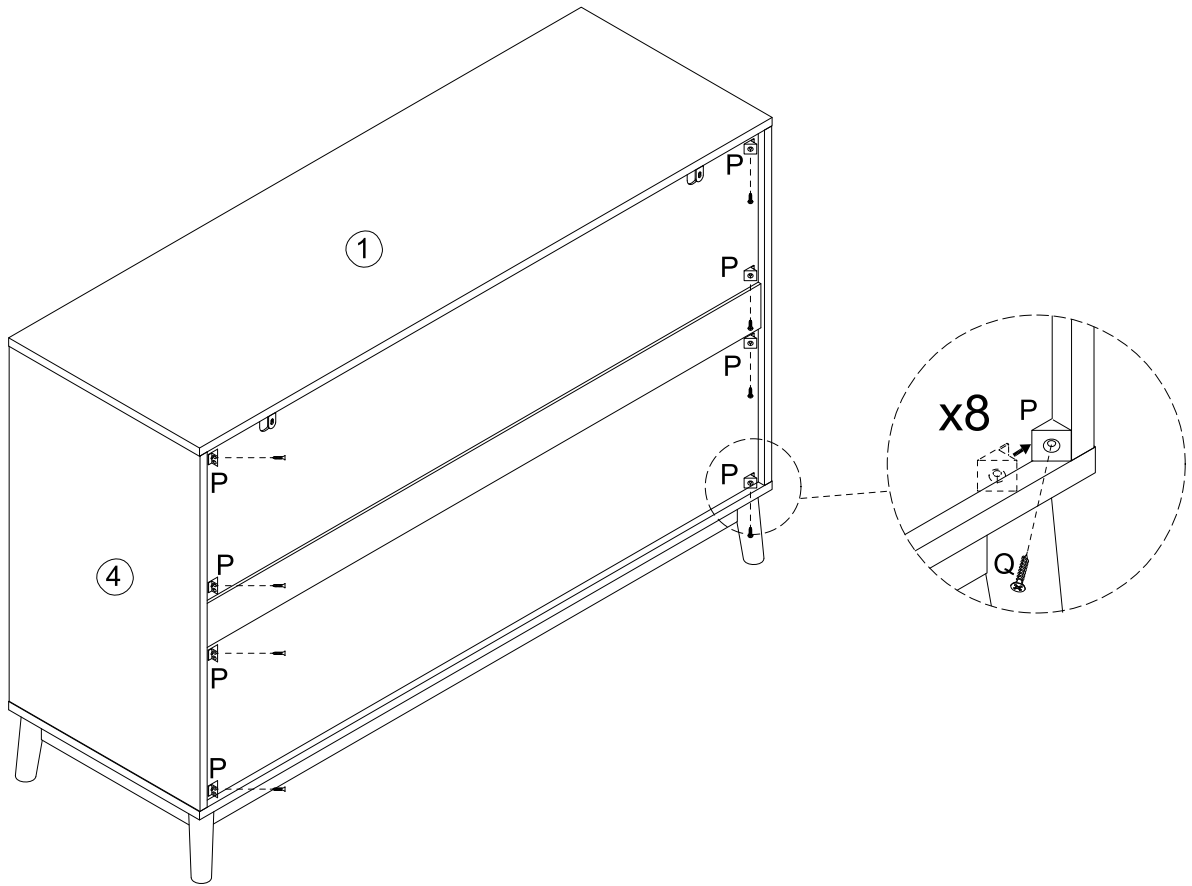
Ⓔ  6pcs



Step17

(P)  8pcs

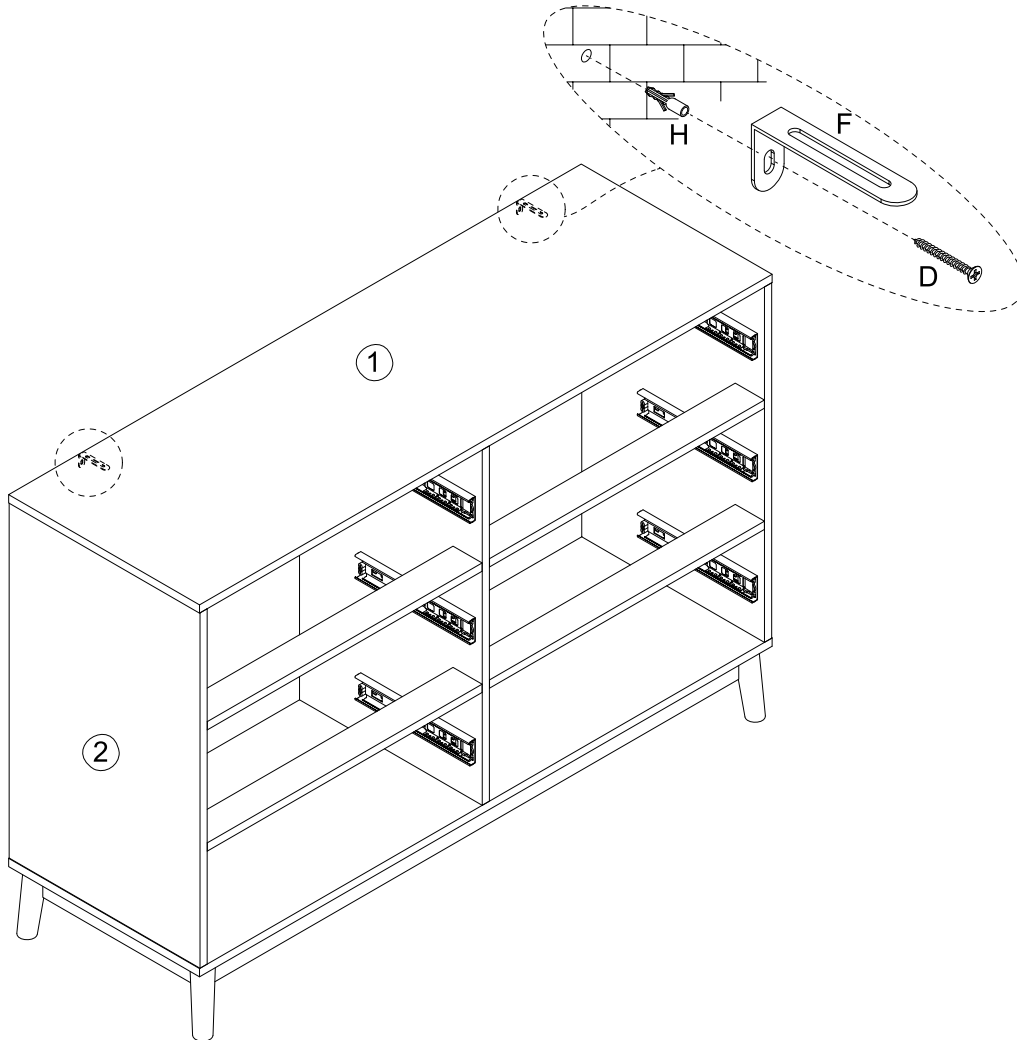
(Q)  8pcs



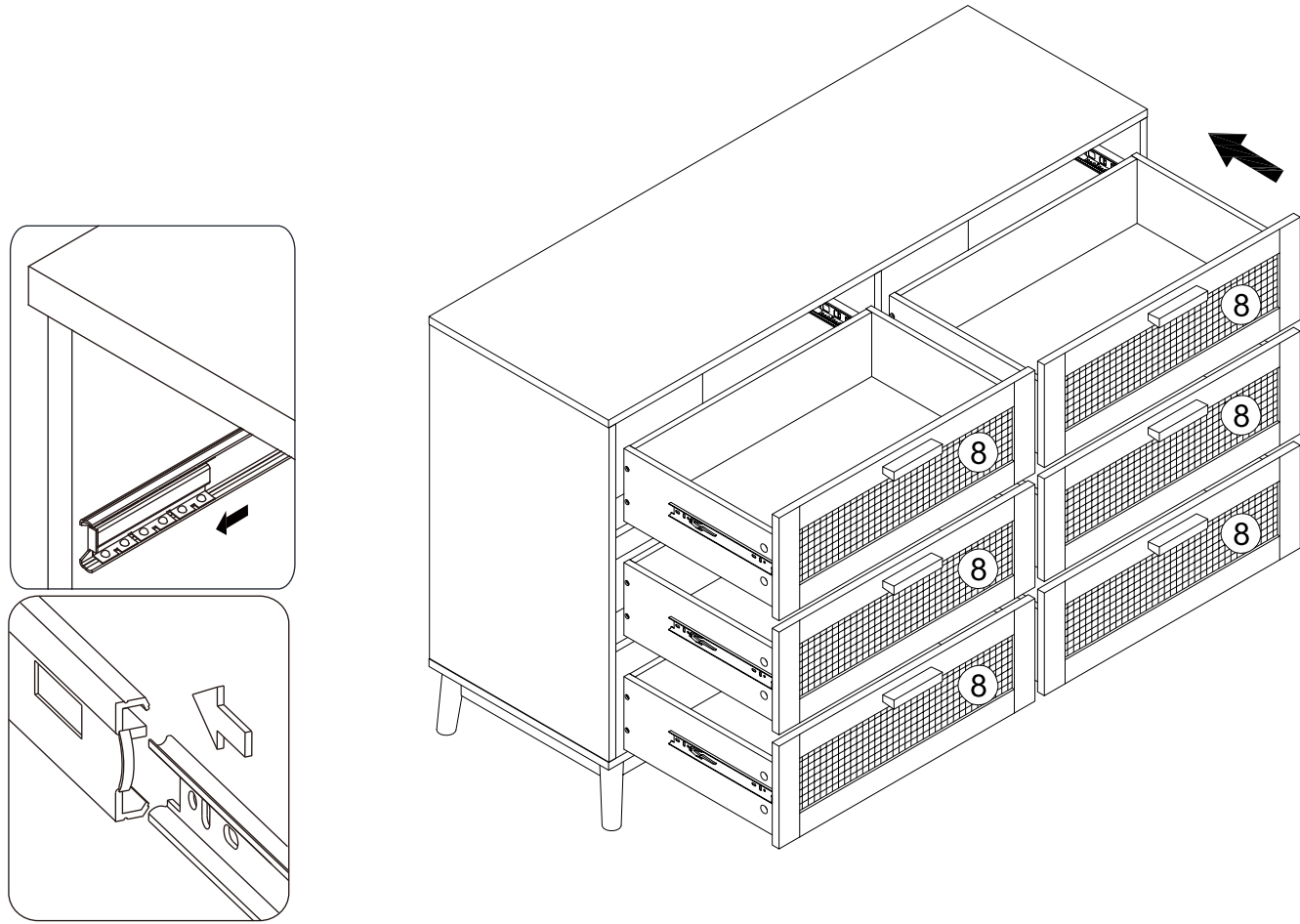
Step18

(D)  2pcs

(H)  2pcs



Step19



Step20

