

DUSK . COM

LIVING BEDROOM DINING

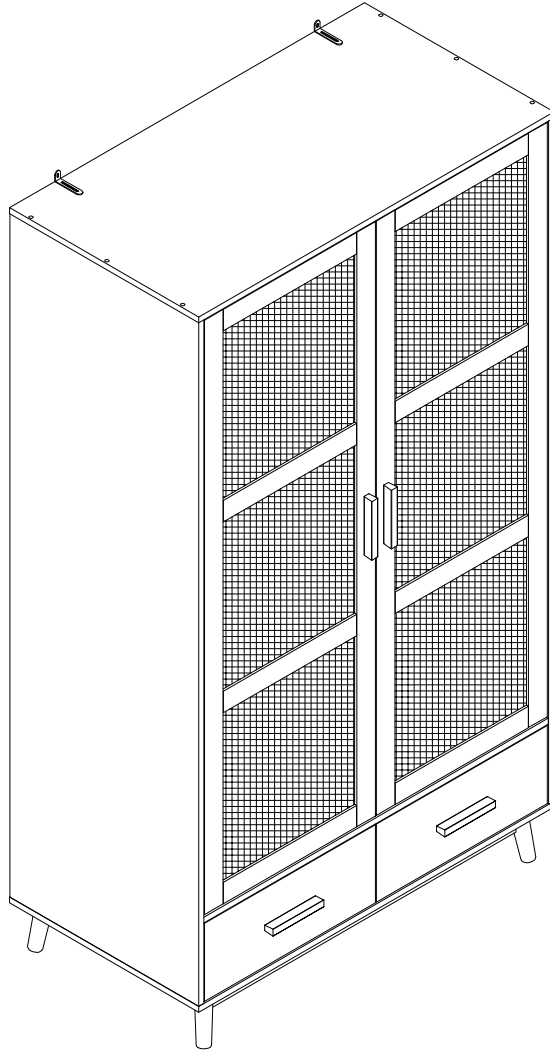
Range Name: ISLA

Box 1 Dimensions: W121.5 x D66.5 x H18(cm)

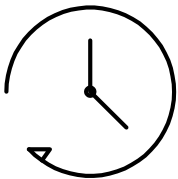
Box 2 Dimensions: W192 x D66 x H13(cm)

Product Dimensions: W105 x D56 x H190(cm)

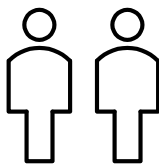
2 Door 2 Drawer Wardrobe



THIS INSTRUCTION BOOKLET CONTAINS IMPORTANT SAFETY INFORMATION
PLEASE READ AND KEEP FOR FUTURE REFERENCE.



60 minutes approx
assembly time



Two adults
assembly required

This product is intended for domestic use only , not for commercial purposes.

Page 1-17
V-2.0

Important

Assembly Tip

Before you begin, we advise laying everything out on a clean and soft level surface to avoid damaging the unit or your floor, It's best to identify all of the parts and fittings to build your Wardrobe, and to familiarise yourself with all of the parts and fittings before building.

Top Tip

We recommend that you build your new Wardrobe In the room you'd like it to be located. This will help prevent any risk of damage to the product whilst moving it.

Safety and Care

1. It's important to ensure children and animals are kept away from the assembly area, as there are small components used in this Wardrobe which could present a choking hazard. All plastic and wrapping materials should also be kept away from children and animals to prevent any risk of suffocation.
2. Do not stand on your product.
3. Always use the item on firm level ground, ensuring all legs remain in contact with the ground.
4. Place heaviest items in the lowest drawers.
5. Do not set TV or other heavy objects on top of the product.
6. Children should always be under supervision whilst using this product. Never allow children to climb on the drawers.
7. Never keep more than one drawer open at the same time.
8. The installation of anti tipping kit to secure your furniture is strongly suggested.
9. Serious or fatal crushing injuries can occur from tipping furniture.

Help and Support

Please contact our customer service team on 0113 519 0311 if you have any questions or issues with your purchase.

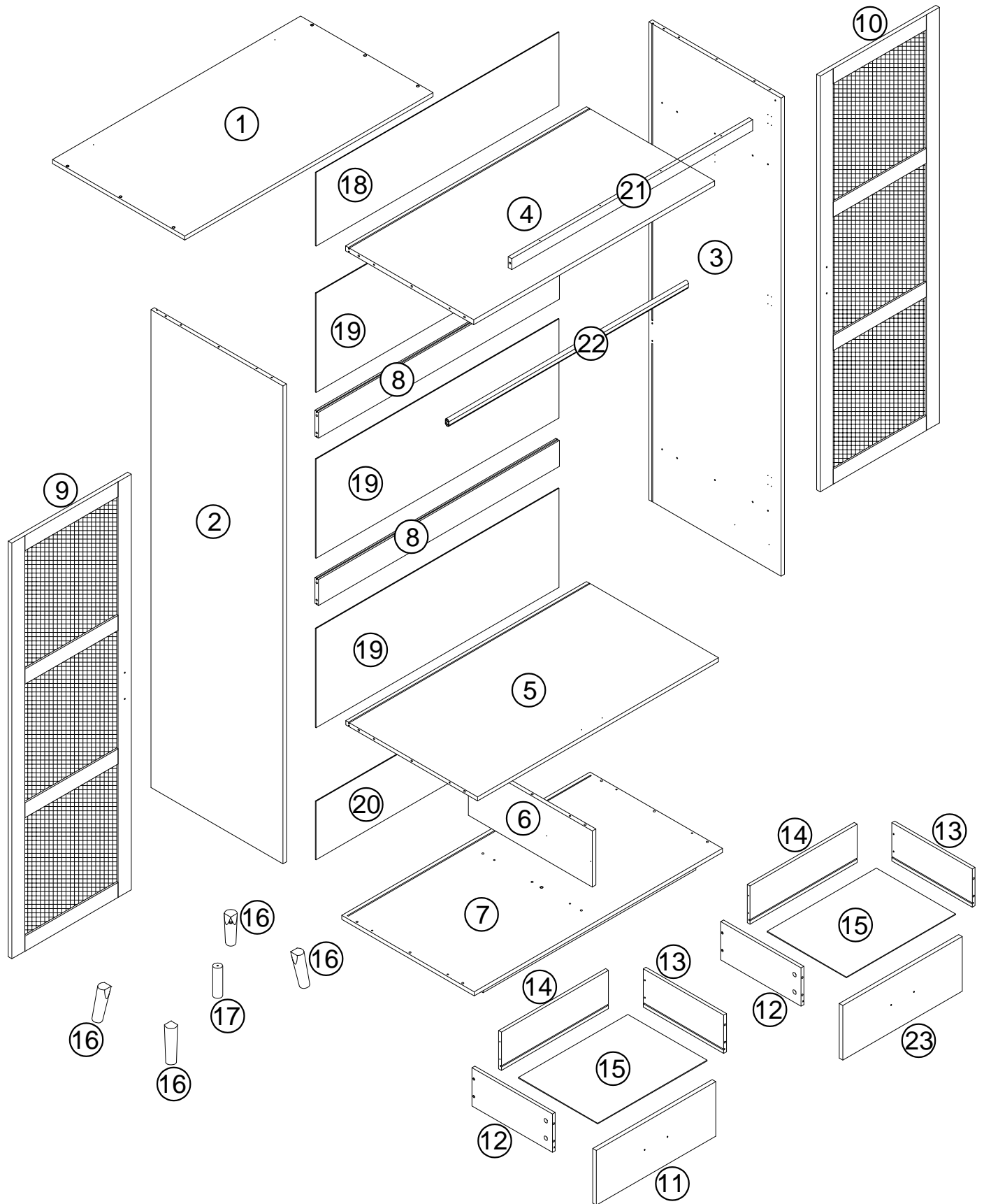
Recycling

Please ensure that packaging is disposed of in a safe and environmentally friendly way, and recycle where possible. Please keep your assembly instructions safe to refer back to in the future.

Care and Maintenance

1. Only clean using a damp cloth, do not use bleach or abrasive cleaners as they may damage the finish over time.
3. Do not scrub or rub the surface when cleaning.
2. Do not use a very wet cloth or allow any liquid to contact with the veneer for a long period of time. Wipe any spillage immediately. Absorption can cause wood to warp or finishes to de-laminate.
4. Do not drag the Wardrobe when moving, lift it off the floor instead.
5. Use a placemat or a coaster when putting hot items (e.g. hot drinks and dishes) on the wood surface.
6. It is not recommended to place the item next to sources of heat such as radiators, fires or directly exposed to sunlight. This may cause the wood to crack, split or fade due to the change of the humidity and temperature.
7. Wood will mellow and change colour over time, we recommend that ornaments and items placed on the surface to be moved regularly to prevent uneven mellowing.
8. Regularly check all fixings to ensure none have come loose. Re-tighten if necessary,
9. Avoid sharp items such as a screwdriver or any pointy tools.

Parts check list



Parts check list

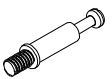




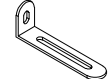


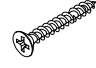




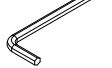







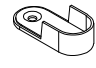
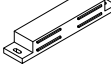

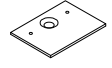

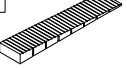
Before you begin building your Isla 2 Door 2 Drawer Wardrobe Chest, please take a moment to read through the instructions and make sure that you have all the relevant parts listed on the parts check list.

Part Number	Part Description	Quantity	Box No
①	Top panel	1pc	Box 1
②	Left Side panel	1pc	Box 2
③	Right side panel	1pc	Box 2
④	Upper shelf	1pc	Box 2
⑤	Middle shelf	1pc	Box 1
⑥	Vertical panel	1pc	Box 1
⑦	Bottom panel	1pc	Box 1
⑧	Back cross rail	2pcs	Box 1
⑨	Door	1pc	Box 2
⑩	Door	1pc	Box 2
⑪	Drawer front	1pc	Box 1
⑫	Drawer left side panel	2pcs	Box 1




Part Number	Part Description	Quantity	Box No
⑬	Drawer right side panel	2pcs	Box 1
⑭	Drawer back panel	2pcs	Box 1
⑮	Drawer bottom panel	2pcs	Box 1
⑯	Leg	4pcs	Box 1
⑰	Bottom support leg	1pc	Box 1
⑱	Top back panel	1pc	Box 1
⑲	Middle back panel	3pcs	Box 1
⑳	Bottom back panel	1pc	Box 1
㉑	Front top cross rail	1pc	Box 1
㉒	Clothes rail	1pc	Box 1
㉓	Drawer front	1pc	Box 1

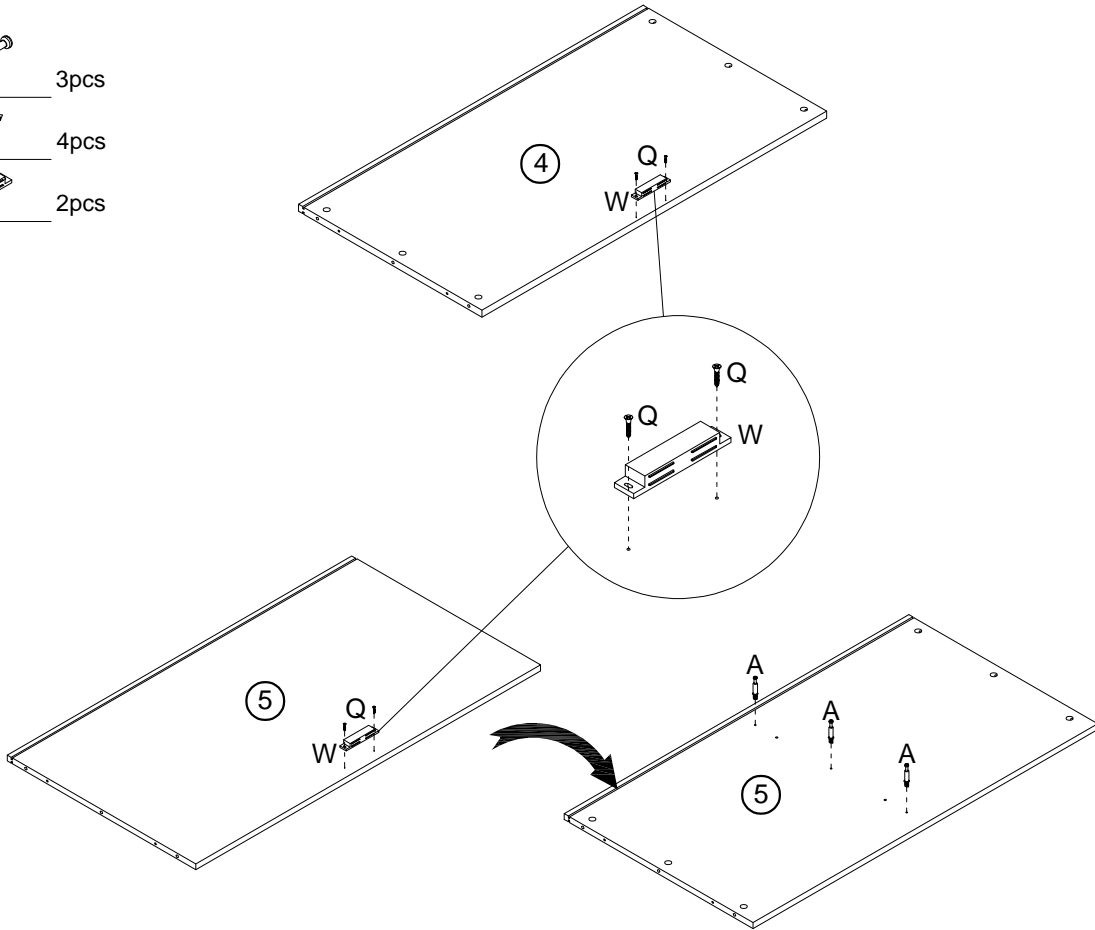
Fitting check list

Please check you have all the fittings listed below with your product in box 1.




A 	B 	C 	D 	E 	F 	G 
36mm cam bolt 33pcs+3pc extra	M15x9.5mm cam 33pcs+3pc extra	M6x30mm Wood dowel 20pcs+2pcs extra	M4x35mm Screw 14pcs+1pc extra	M3x12mm Screw 24pcs+3pcs extra	L wall fixing 2pcs	M4x12mm Screw 2pcs
H 	I 	J 	K 	L 	M 	N 
30mm wall plug 2pcs	M4x30mm screw 8pcs+1pc extra	Runner 4pcs	M6x50mm Screw 4pcs	Metal plate 4pcs	Metal plate 4pcs	L fitting 1pc
O 	P 	Q 	R 	S 	T 	U 
Felt Pad 4pcs	Back bracket 24pcs+2pcs extra	M3x14mm screw 28pcs+2pcs extra	Adjustment feet 1pc	Handle 4pcs	Sticker 31pcs+3pcs extra	M7x50mm Screw 16pcs+1pc extra
V 	W 	X 	Y 	Z 	AA 	
Clothes rail support fitting 2pcs	Magnet 2pcs	Hinge 6pcs	Metal piece 4pcs	M4x14mm Screw 36pcs+4pcs extra	Leveller 2pcs	

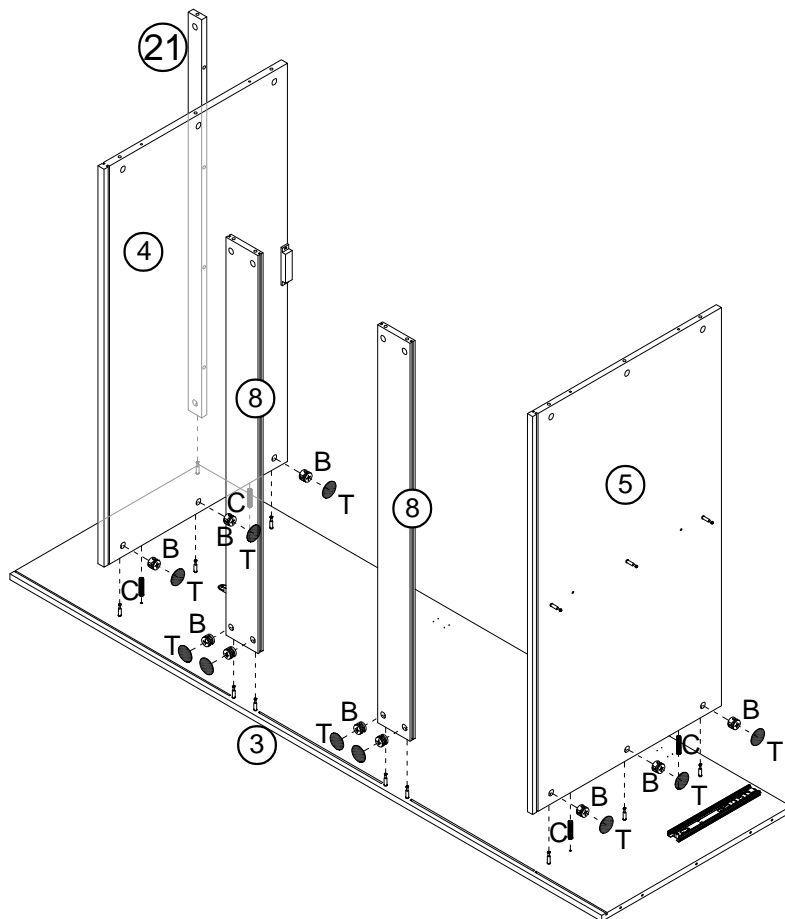
Step 3

- Ⓐ  3pcs
- Ⓚ  4pcs
- Ⓦ  2pcs

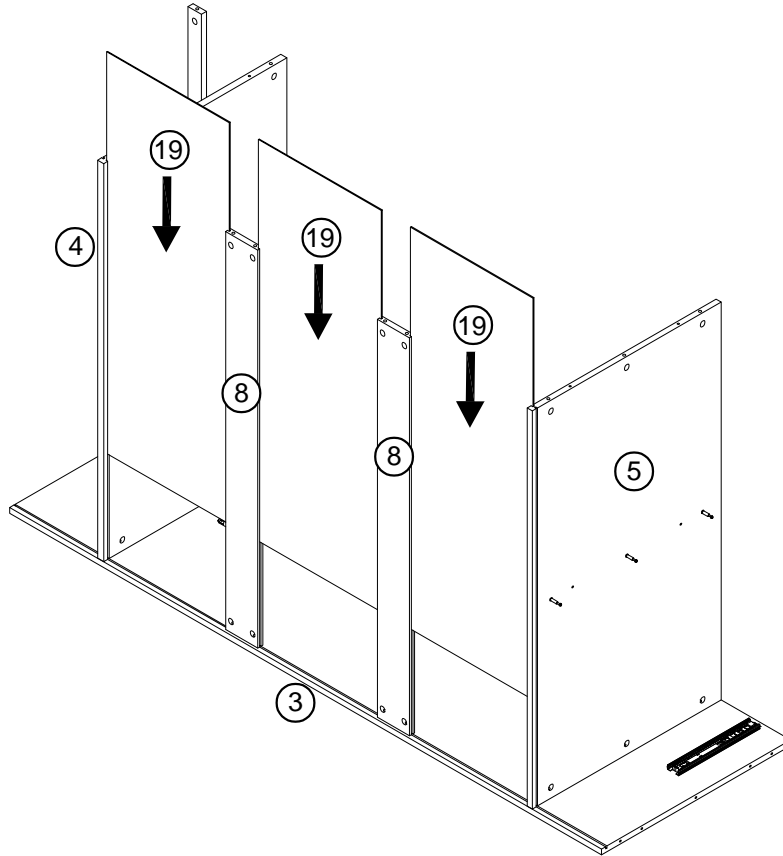


Step 4




- Ⓑ  11pcs
- Ⓒ  4pcs
- Ⓓ  10pcs

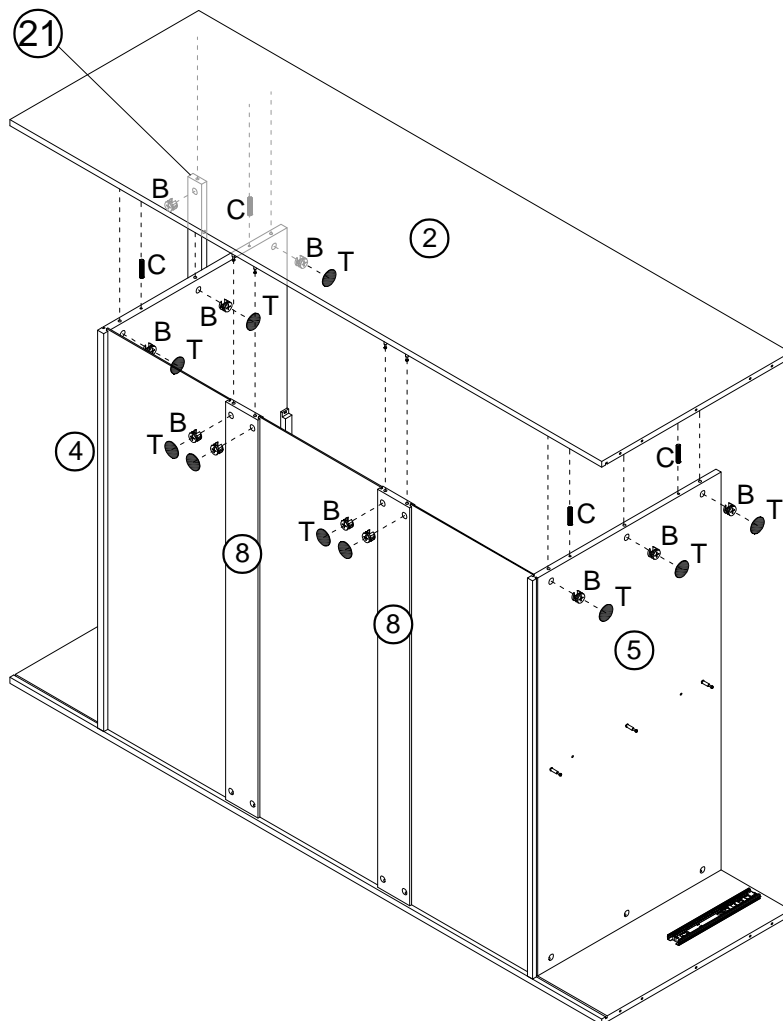


Step 5




Step 6

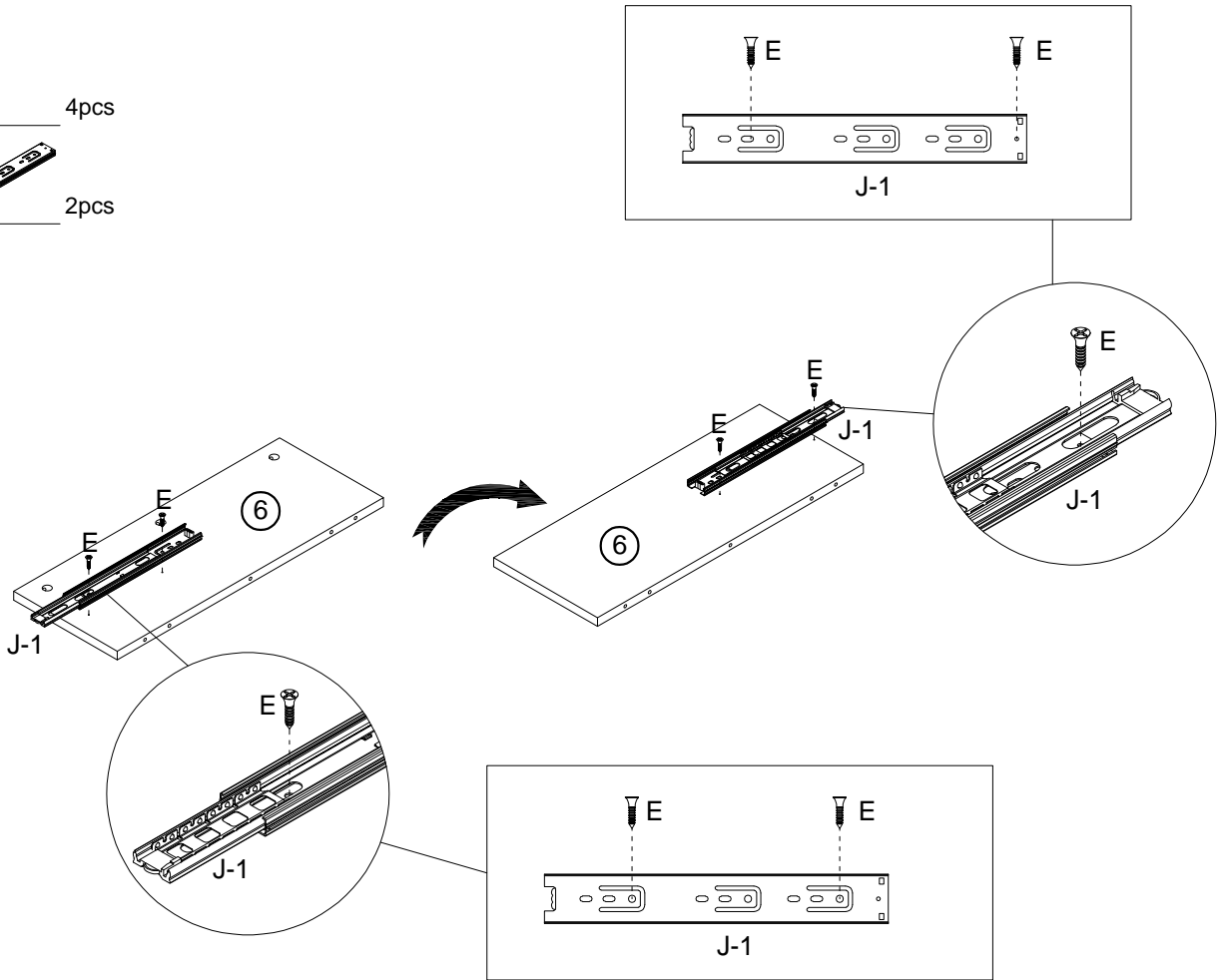
- (B)**  11pcs
- (C)**  4pcs
- (T)**  10pcs



Step 7

(E)  4pcs

(J-1)  2pcs

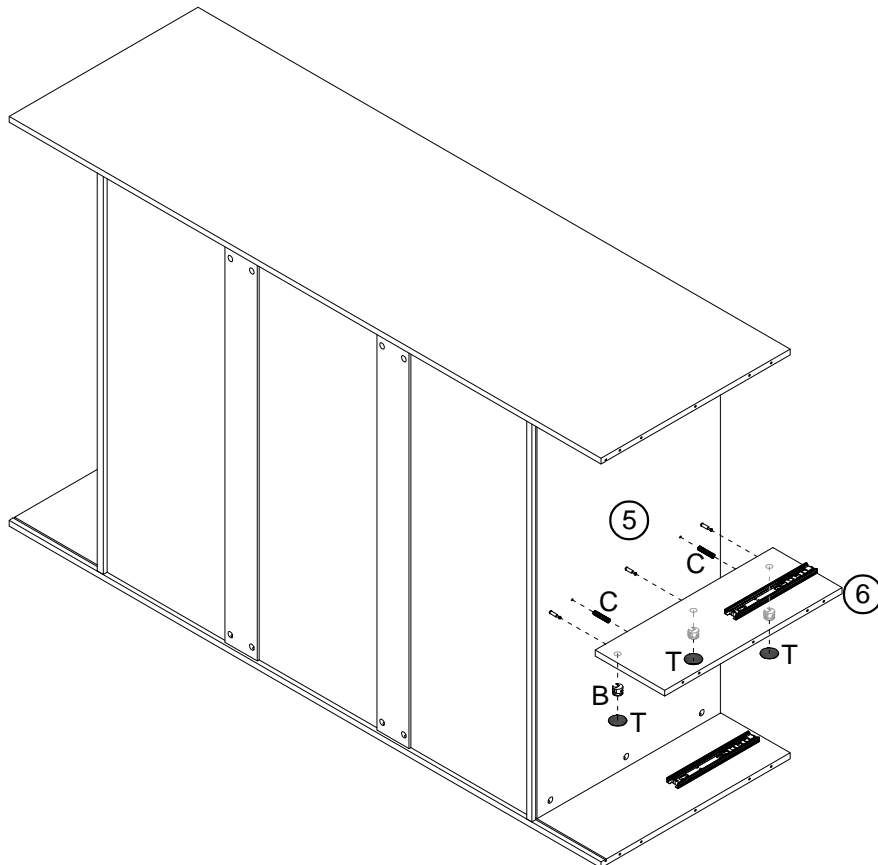


Step 8

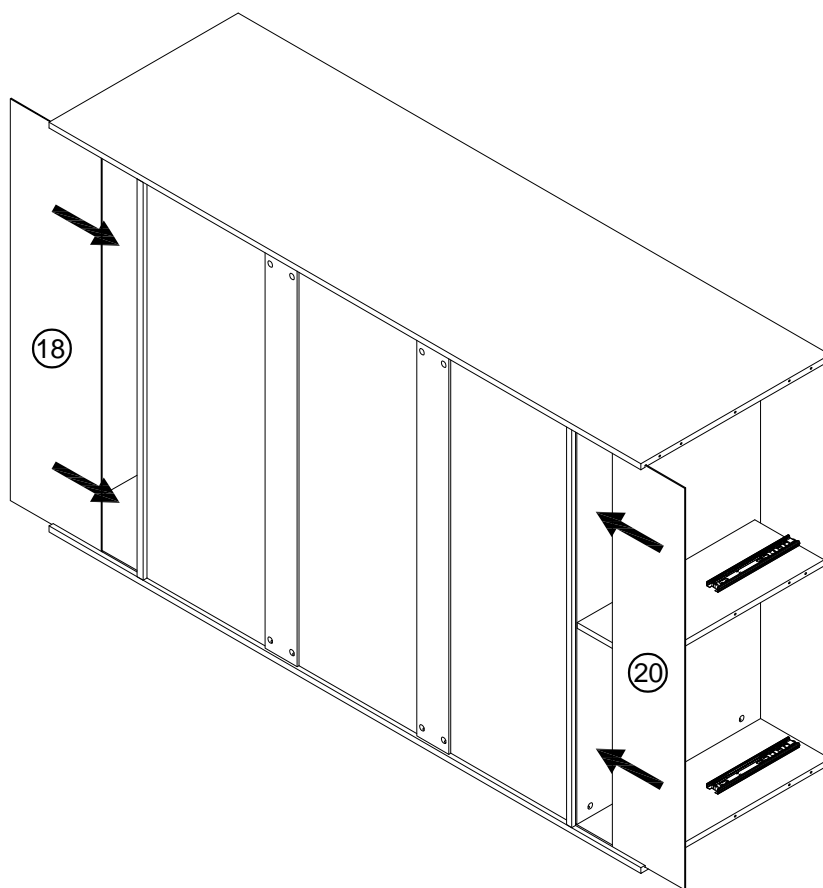
(B)  3pcs

(C)  2pcs

(T)  3pcs

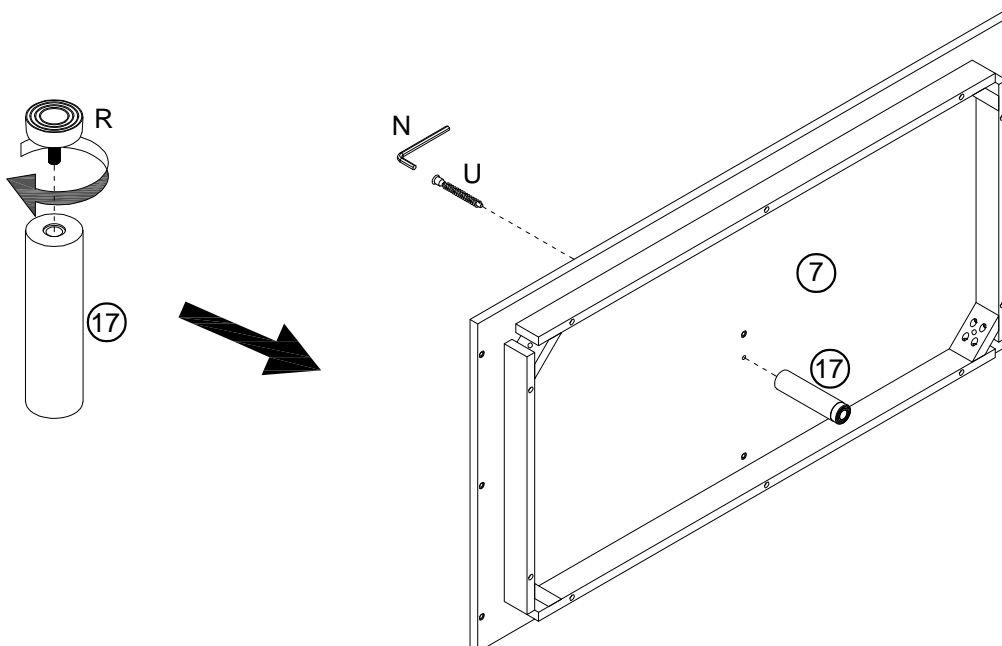


Step 9





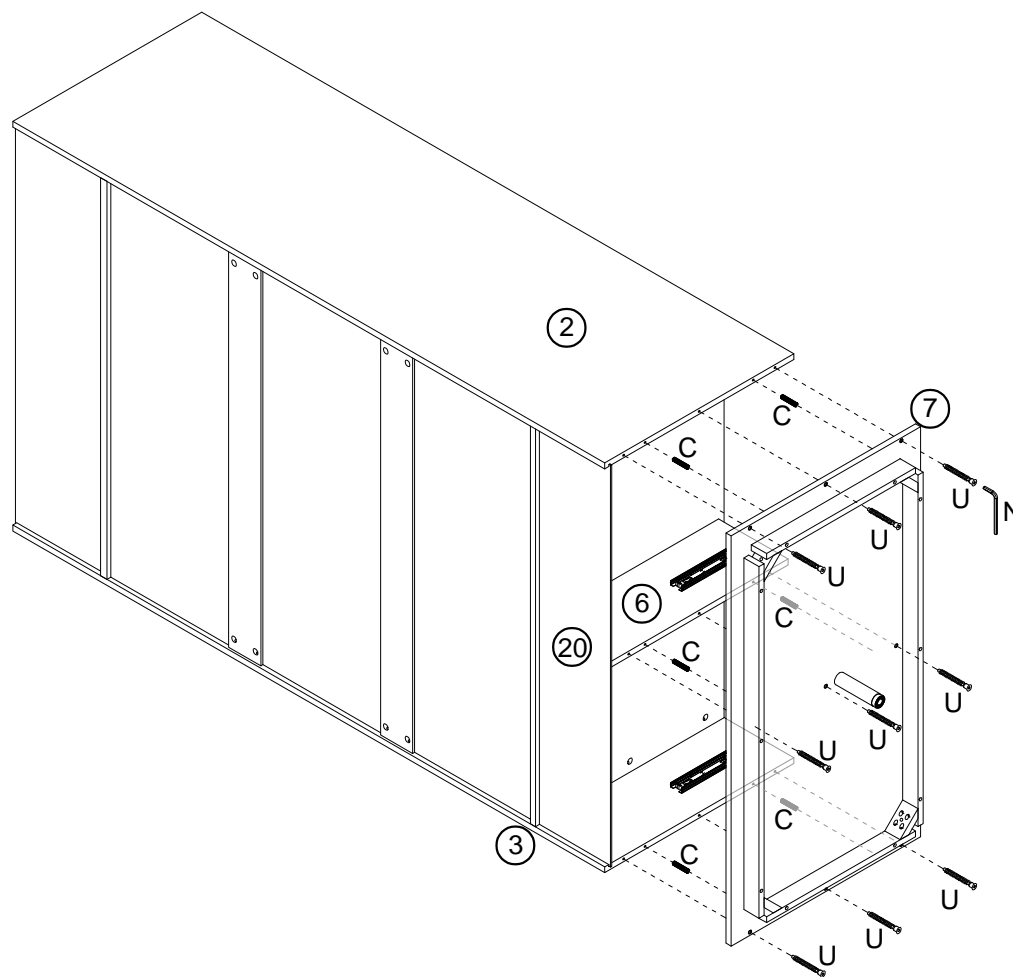
Step 10

- Ⓝ 1pc
- Ⓡ 1pc
- Ⓤ 1pc







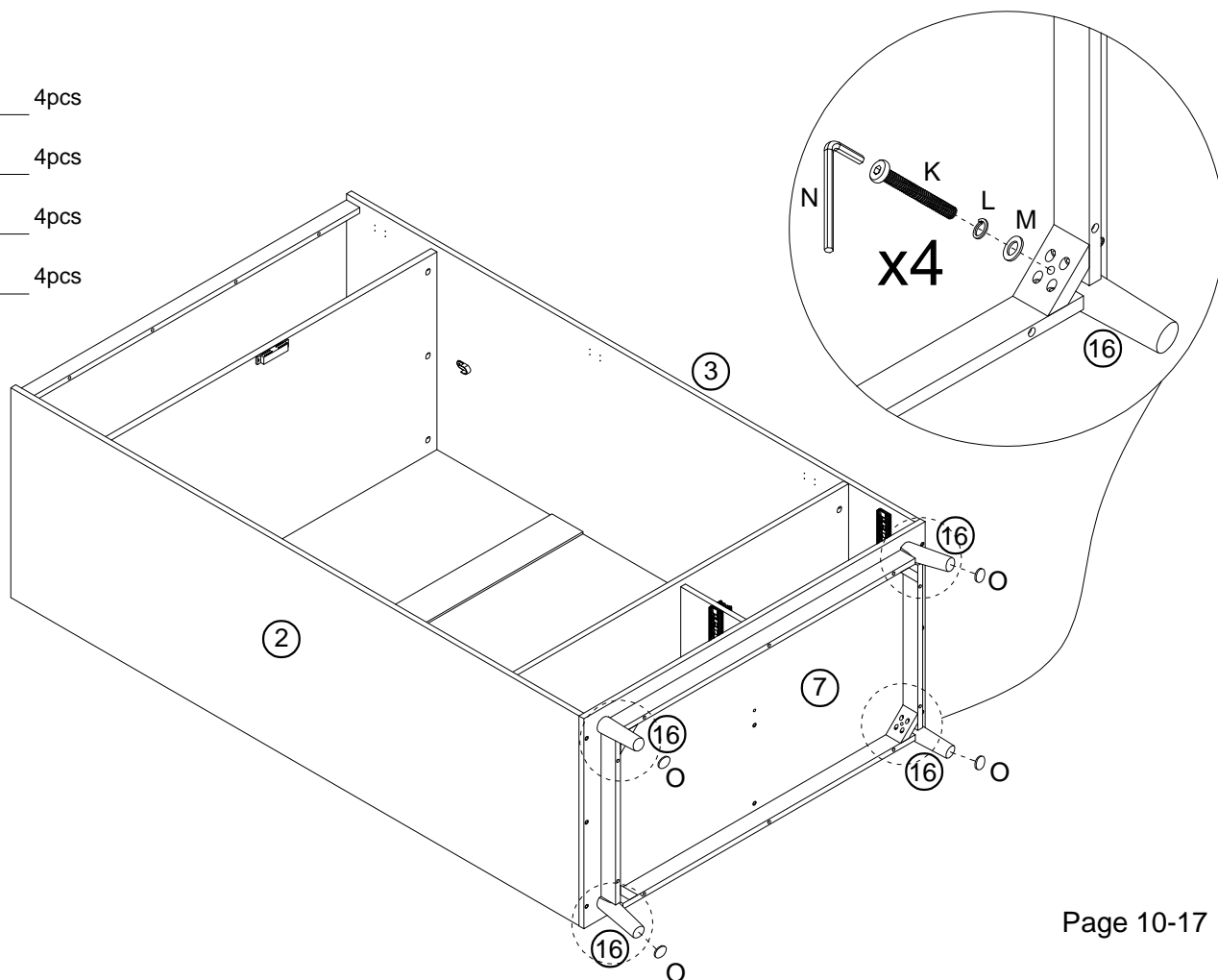
Step 11

- Ⓒ  6pcs
- ⒰  9pcs








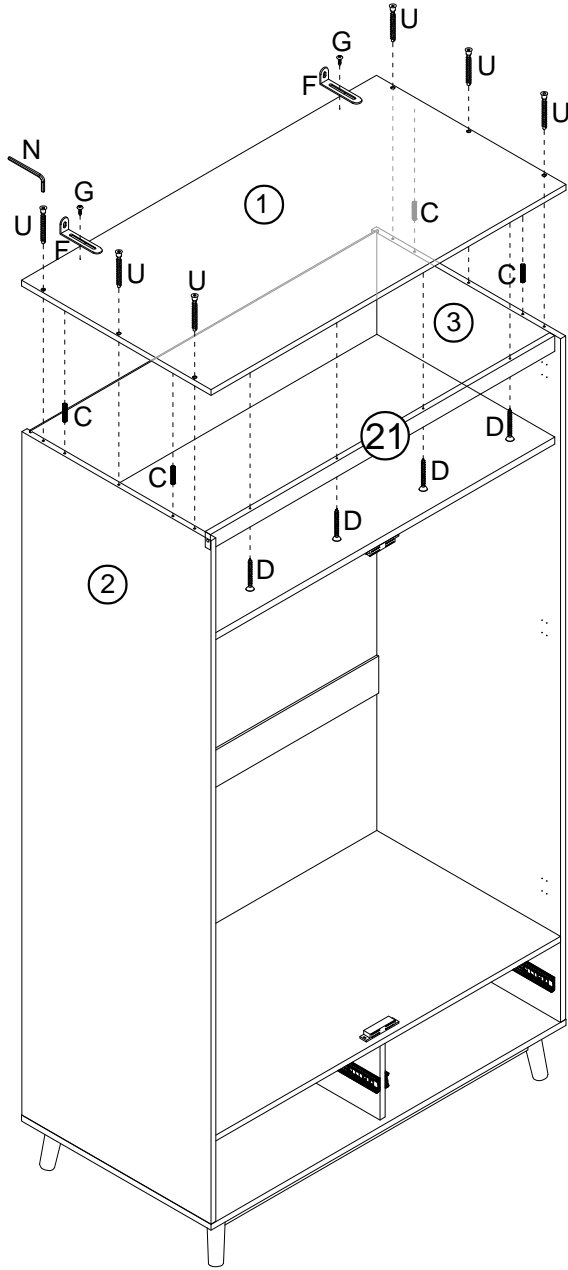
Step 12

- Ⓐ  4pcs
- Ⓕ  4pcs
- Ⓖ  4pcs
- Ⓓ  4pcs

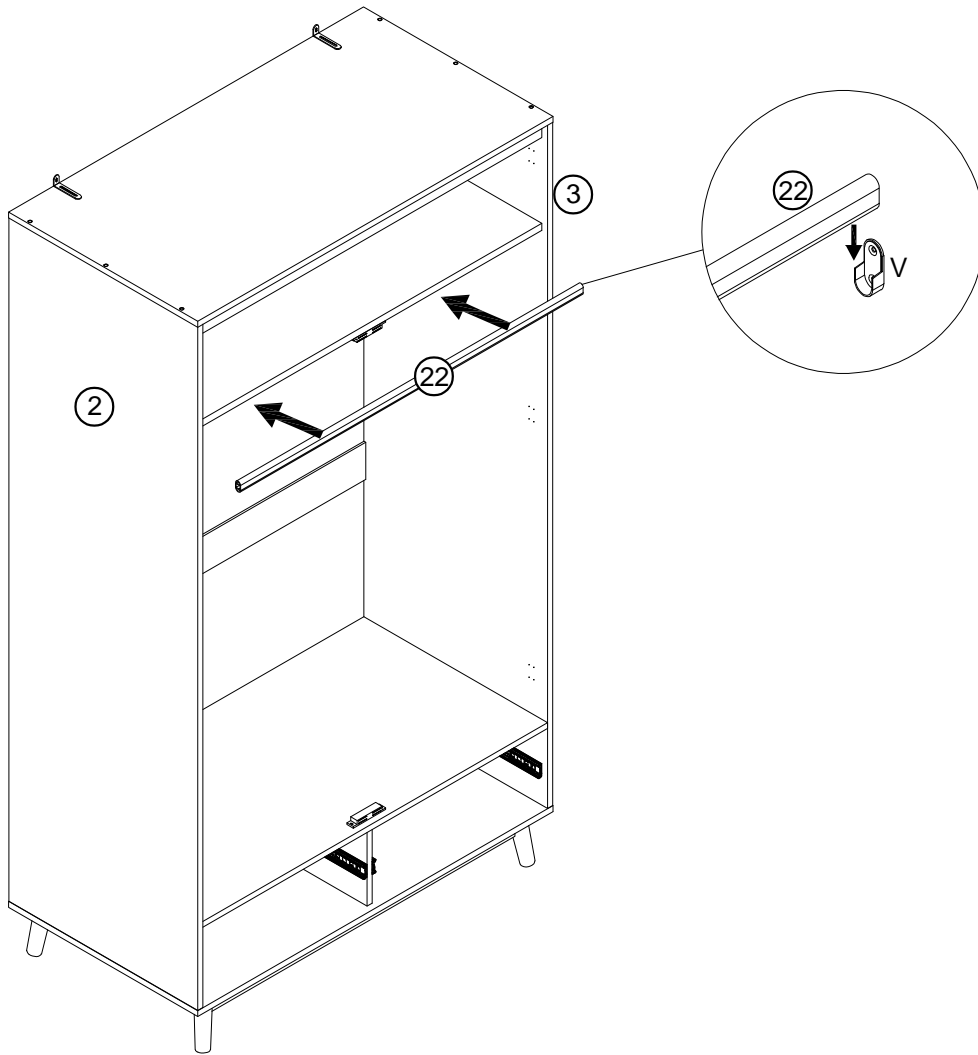


Step 13



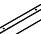



- Ⓒ  4pcs
- Ⓓ  4pcs
- Ⓕ  2pcs
- Ⓖ  2pcs
- ⒰  6pcs

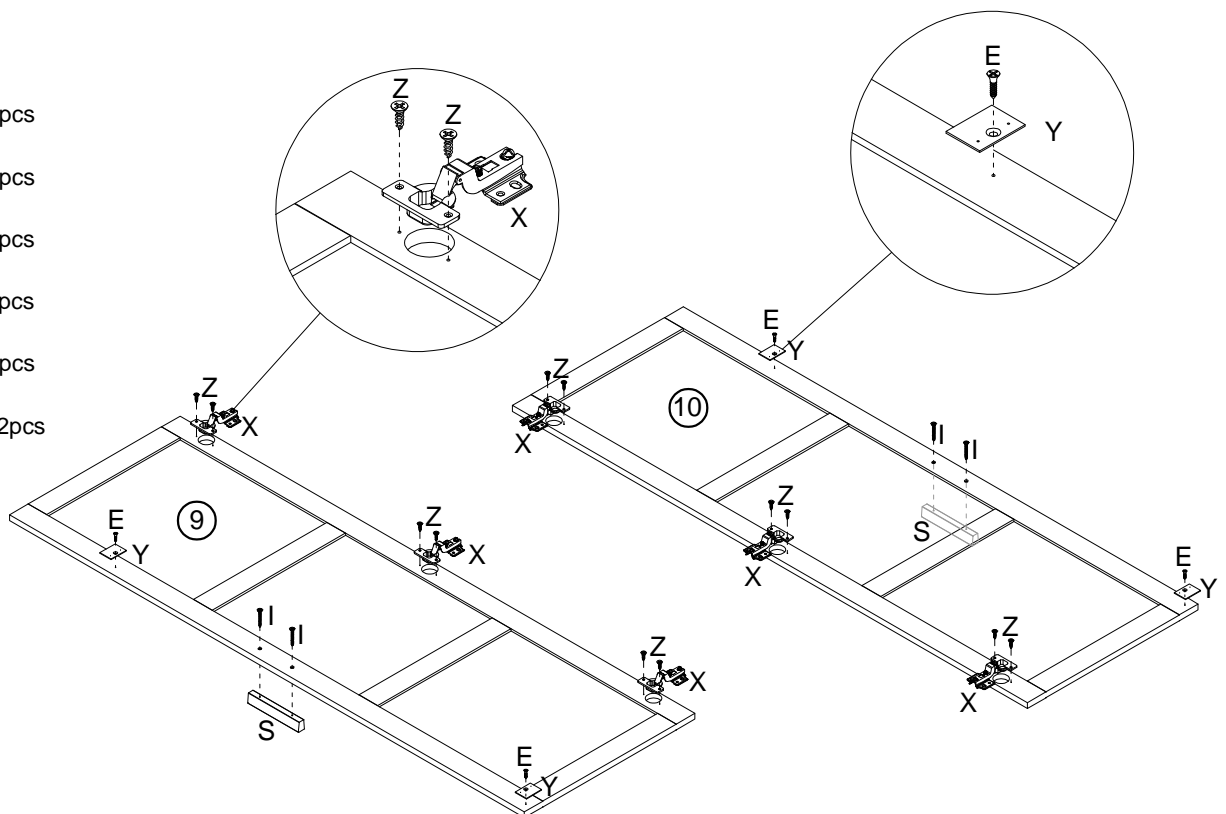


Step 14



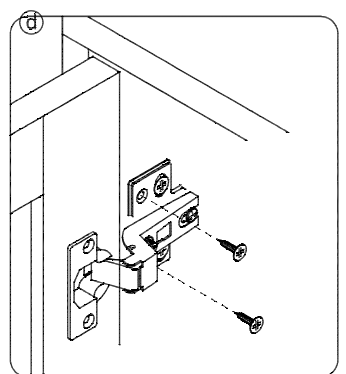
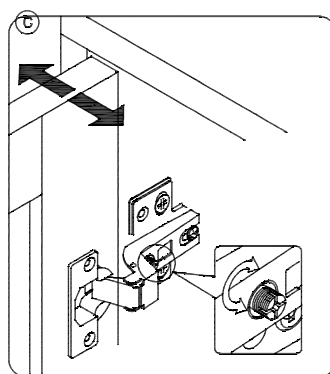
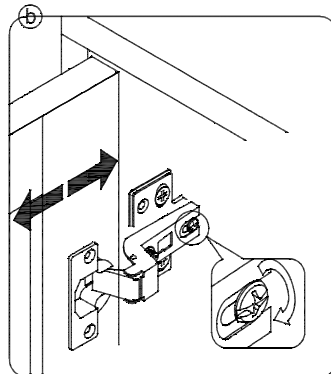
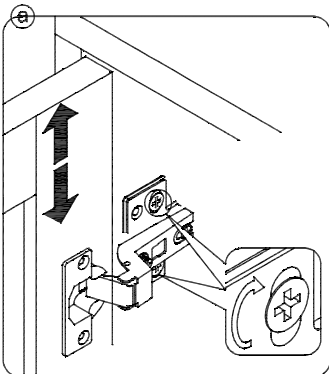
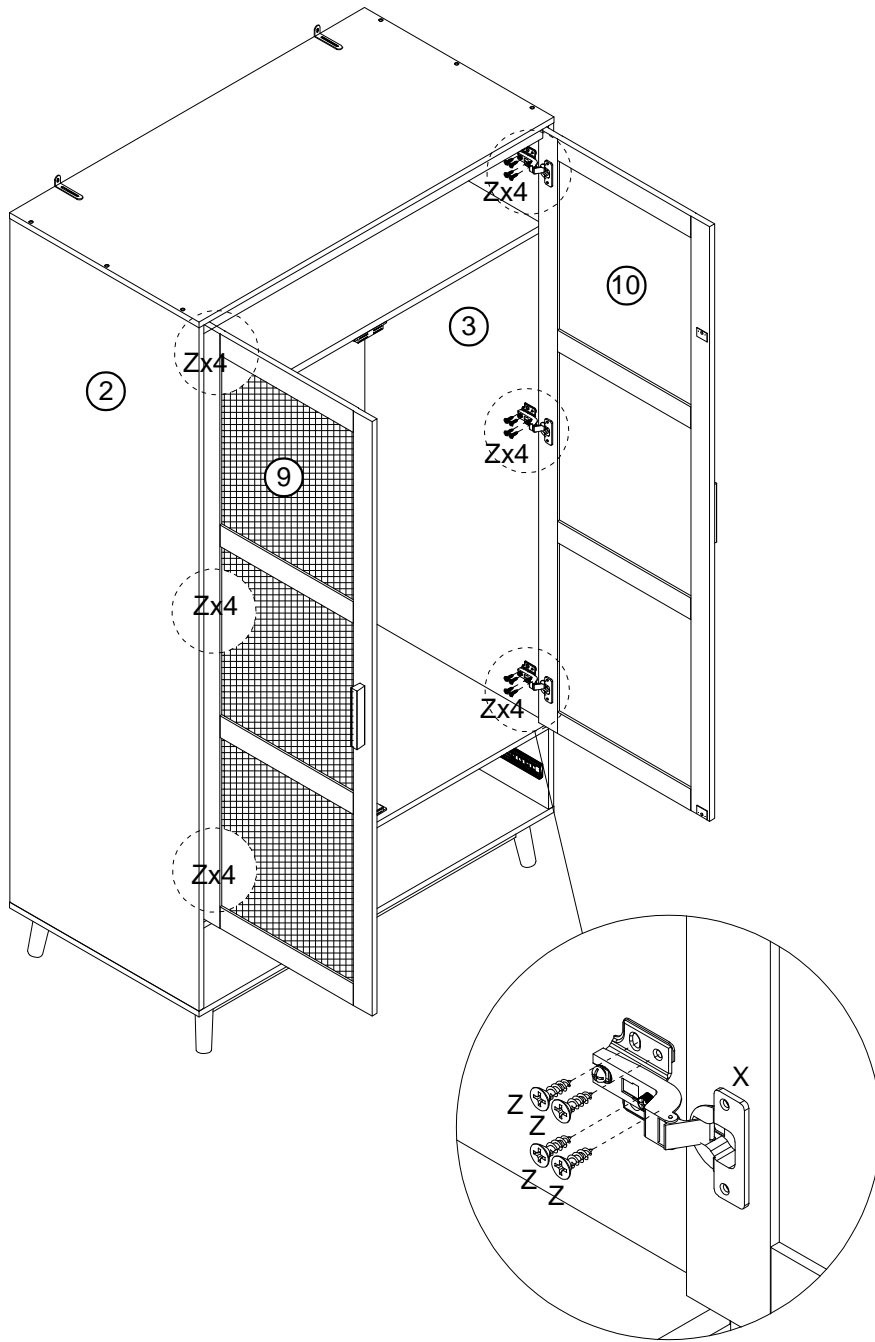
Step 15

- (E)  4pcs
- (I)  4pcs
- (S)  2pcs
- (X)  6pcs
- (Y)  4pcs
- (Z)  12pcs



Step 16

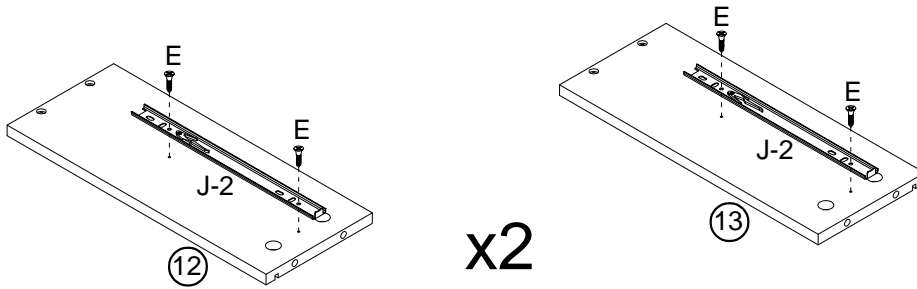
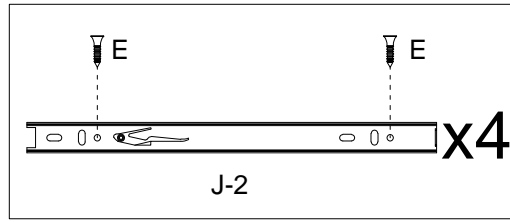
Ⓩ  24pcs




Step 17

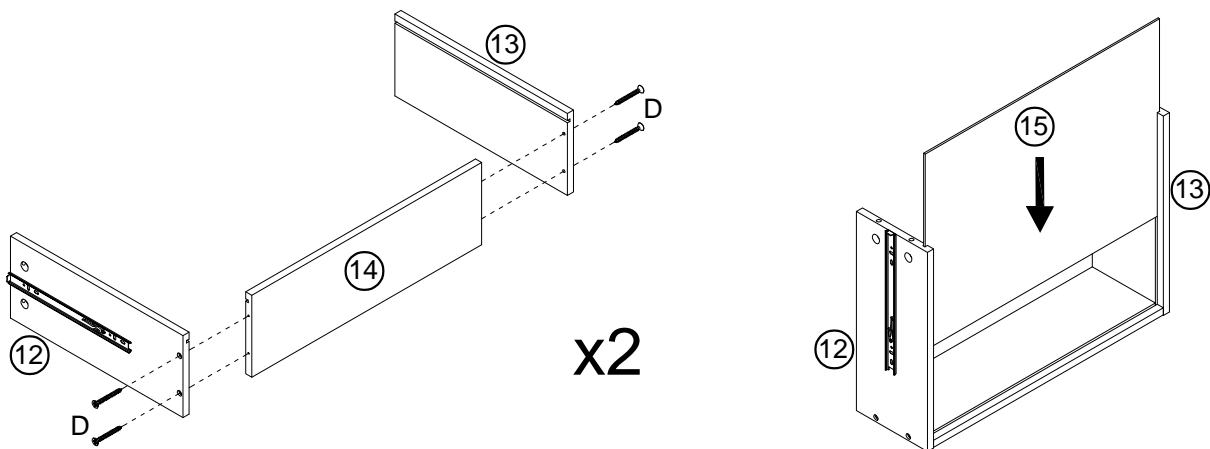
Ⓔ  8pcs

Ⓙ-2  4pcs




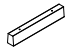



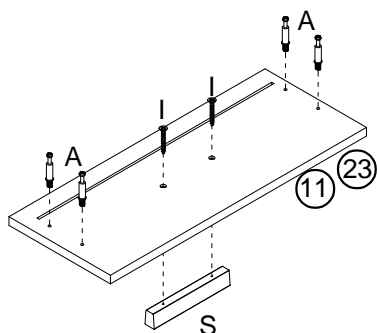
Step 18

Ⓓ  8pcs

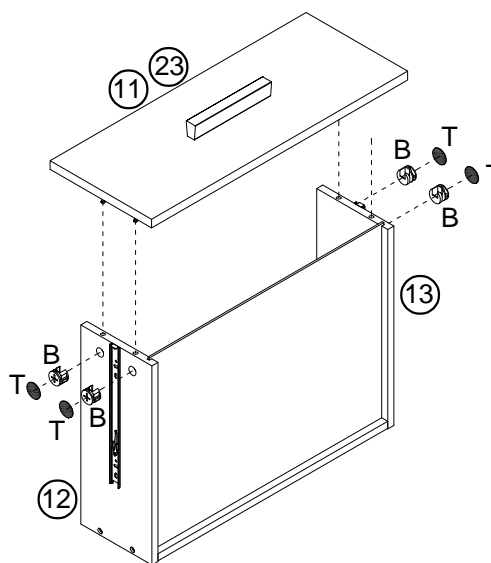


Step 19

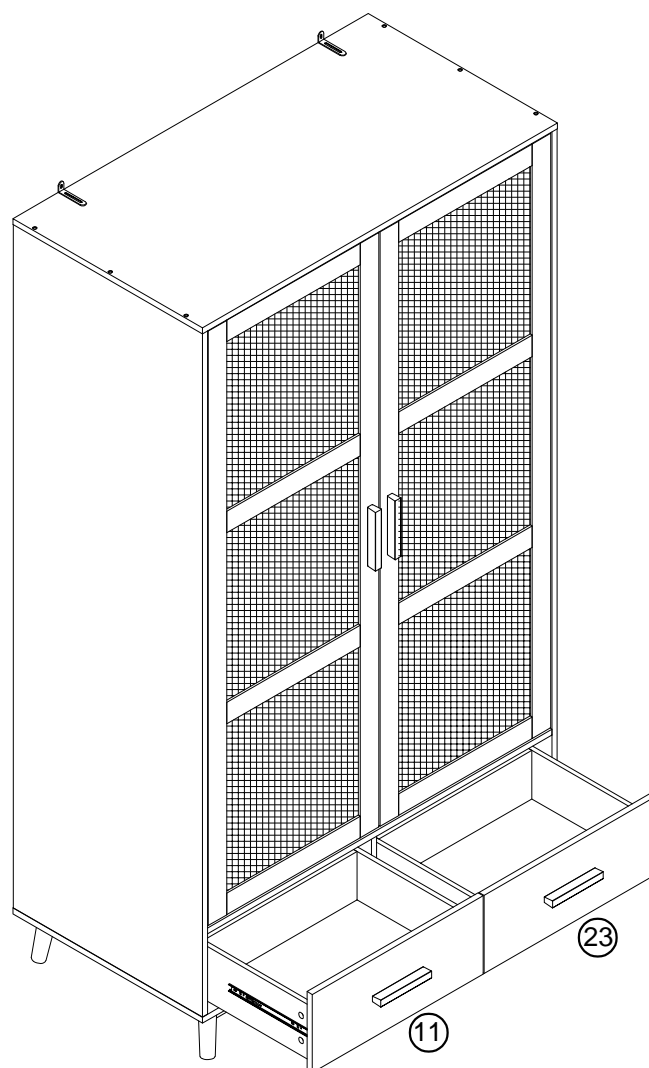
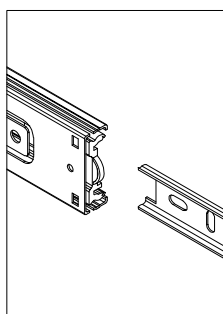
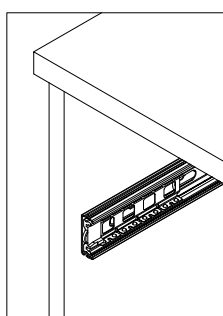
- (A)  8pcs
- (B)  8pcs
- (I)  4pcs
- (S)  2pcs
- (T)  8pcs



x2



Step 20

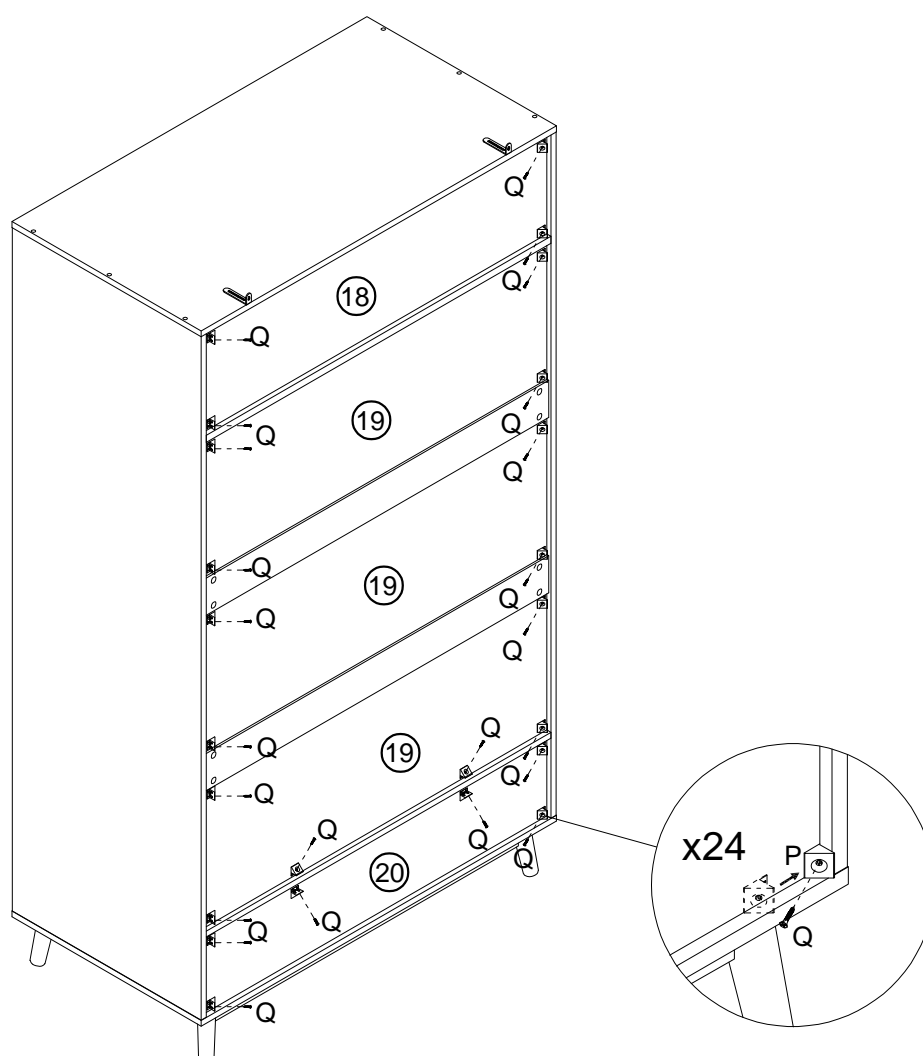


Step 21




Ⓟ  24pcs

Ⓠ  24pcs

Manually adjust the frame slightly to ensure the drawers are in the correct position, even and parallel before attaching the plastic buckles



Step 22

- Ⓓ  2pcs
- Ⓗ  2pcs
- Ⓩ  2pcs

