

DUSK.COM

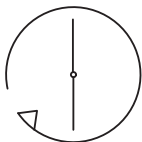
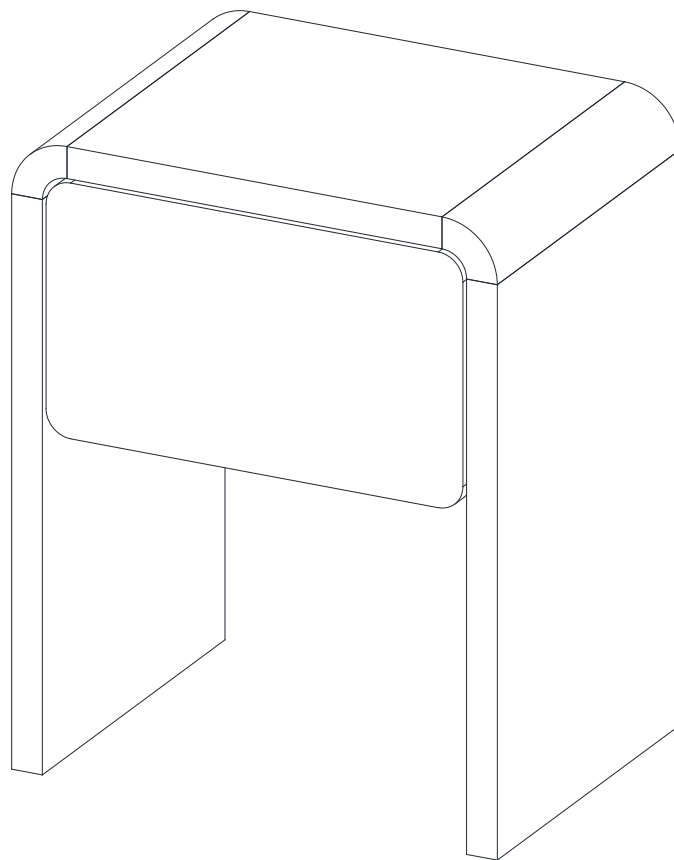
LIVING | BEDROOM | DINING

Range Name : Samira

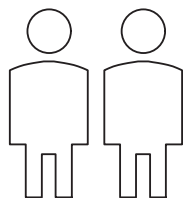
Box1 Dimension : W58xD39xH22cm

Product Dimension : W40xD30xH50cm

Side Table



Up to 60 minutes
assembly time



Two person
assembly



Electric screwdriver
prohibited

This product is intended for domestic use only, not for commercial purposes.

P-1-11
V-1.0

IMPORTANT

ASSEMBLY TIP

Before you begin, it's best to identify all of the parts and fittings to build your Samira Side Table frame. We advise laying these out on the floor to check you have everything, and to familiarise yourself with all of the parts and fittings before building.

TOP TIP

We recommend that you assemble the Samira Side Table in the room you'd like it to be located. This will help prevent any risk of damage to the frame whilst moving it.

SAFETY AND CARE

It's important to ensure children and animals are kept away from the assembly area, as there are small components used in this product which could present a choking hazard. All plastic and wrapping materials should also be kept away from children and animals to prevent any risk of suffocation.

HELP AND SUPPORT

Please contact our customer service team on 0113 519 0311 if you have any questions or issues with your purchase.

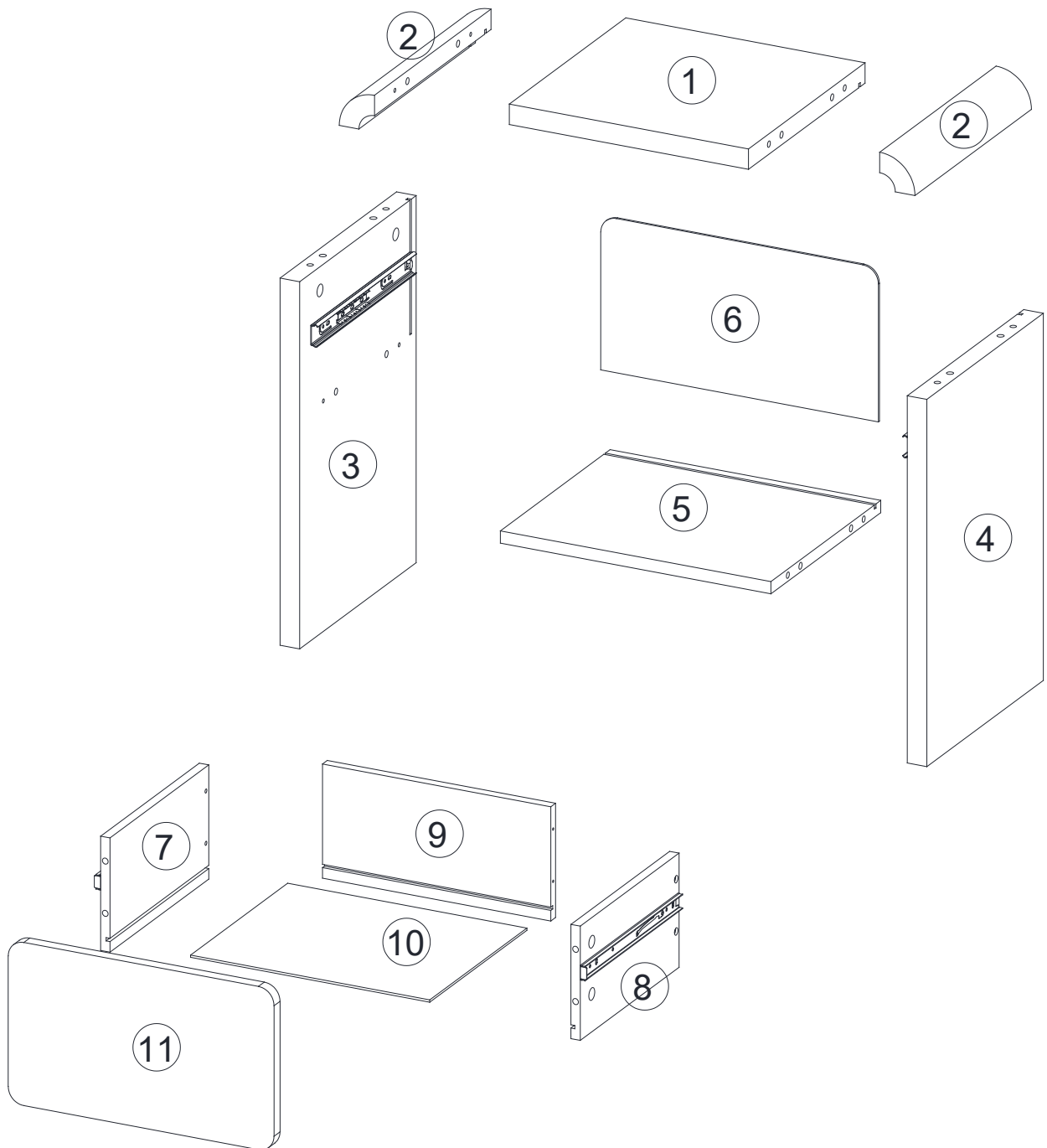
RECYCLING

Please ensure that packaging is disposed of in a safe and environmentally friendly way, and recycle where possible. Please keep your assembly instructions safe to refer back to in the future.

CARE AND MAINTENANCE:

1. Only clean using a damp cloth, do not use bleach or abrasive cleaners as they may damage the finish over time.
2. Do not use a very wet cloth or allow any liquid to contact with the veneer for a long period of time. Wipe any spillage immediately. Absorption can cause wood to warp or finishes to de-laminate.
3. Do not scrub or rub the surface when cleaning.
4. Do not drag the Samira Side Table when moving, lift it off the floor instead.
5. Use a placemat or a coaster when putting hot items (e.g. hot drinks and dishes) on the wood surface.
6. It is not recommended to place the item next to sources of heat such as radiators, fires or directly exposed to sunlight. This may cause the wood to crack, split or fade due to the heat and humidity.
7. Wood will mellow and change colour over time, we recommend that ornaments and items placed on the surface to be moved regularly to prevent uneven mellowing.
8. Regularly check all fixings to ensure none have come loose. Re-tighten if necessary.
9. Avoid sharp items such as a screwdriver or any pointy tools.
10. Dispose of all packaging carefully and responsibly - recycle where possible.

Parts list



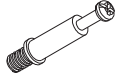
Parts list


Before you begin building you Samira Side Table, please take a moment to read through the instructions and make sure that you have all the relevant parts listed on the parts check list.


Part Number	Part Description	Quantity	Box No
①	Top Panel	1pc	Box 1
②	Grounded Corner	2pcs	Box 1
③	Left Side Panel With Slide	1pc	Box 1
④	Right Side Panel With Slide	1pc	Box 1
⑤	Shelf	1pc	Box 1
⑥	Back Panel	1pc	Box 1
⑦	Drawer Left Side With Slide	1pc	Box 1
⑧	Drawer Right Side With Slide	1pc	Box 1
⑨	Drawer Back Panel	1pc	Box 1
⑩	Drawer Bottom	1pc	Box 1
⑪	Drawer Front	1pc	Box 1


Fittings

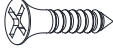
Please check you have all the fittings listed below with your product in box 1.


A	
M6*35mm Bolt	
16pcs+2pcs extra	

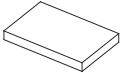
B	
15*10mm Cam Lock	
16pcs+2pcs extra	


C	
8*30mm Dowel	
12pcs+1pc extra	

D	
M4*35mm Screw	
4 pcs	

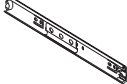
E	
M3*16mm Screw	
4pcs	


F	
Plastic Buckle	
4pcs	


G	
Pad	
4pcs	

H	
Cover	
4pcs	

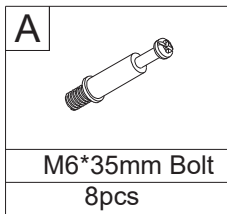
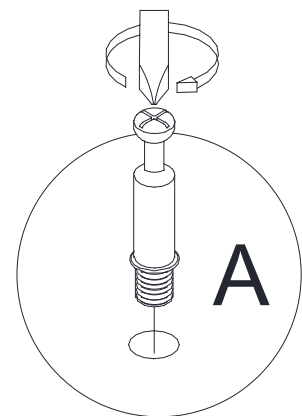
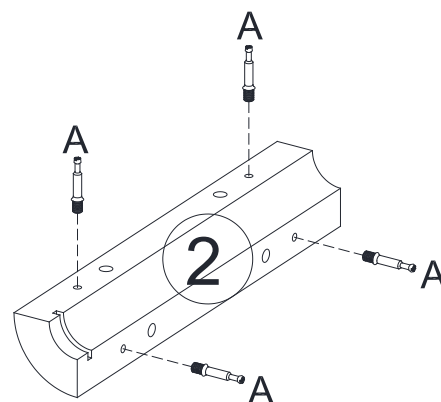
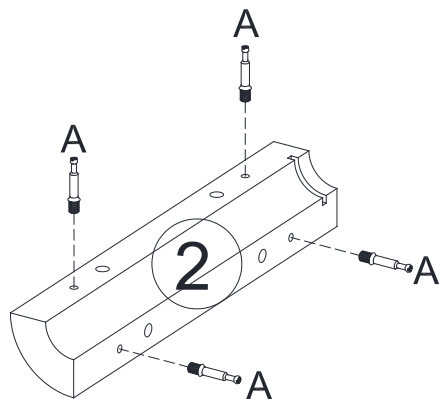
Pre-assembled Fittings

I-1	
Slide	
2pcs	

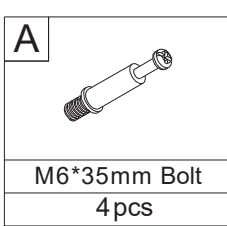
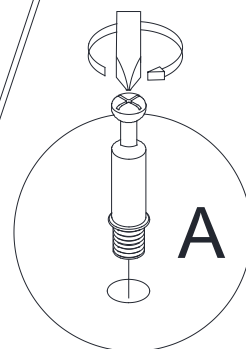
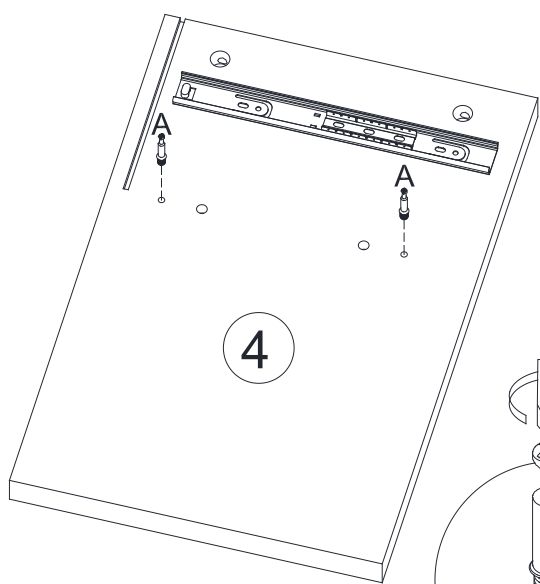
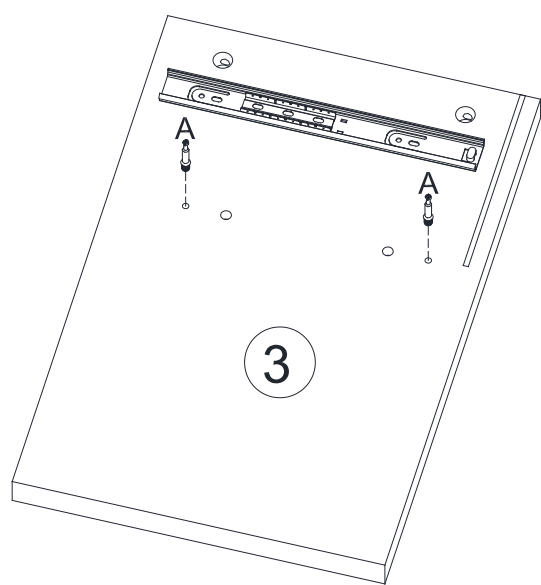
I-2	
Slide	
2pcs	

J	
M3*12mm Screw	
8pcs	

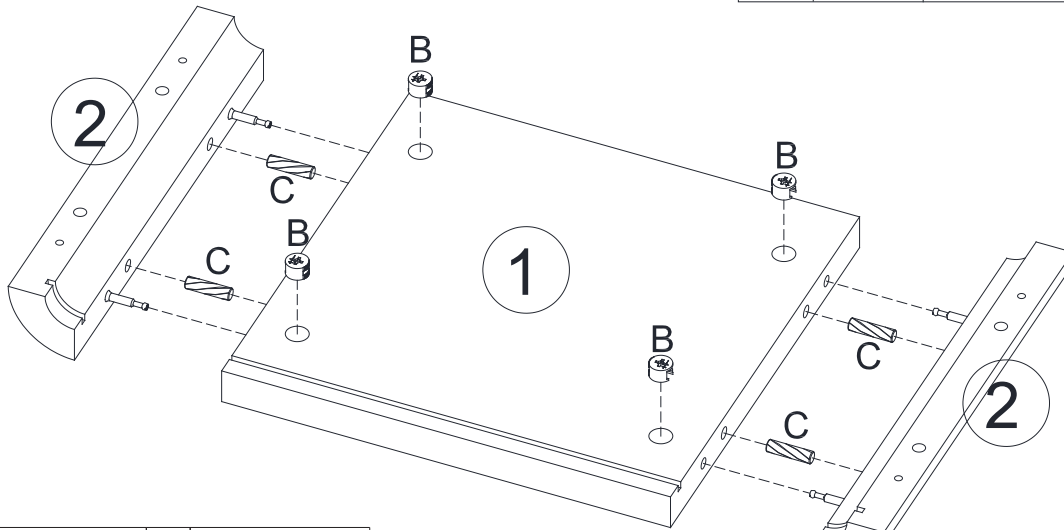
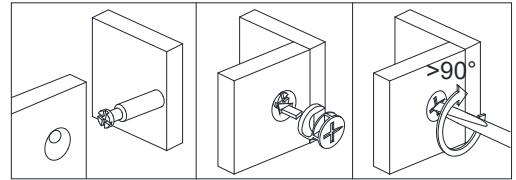
1. Attach parts to the boards.





2. Attach parts to the boards.

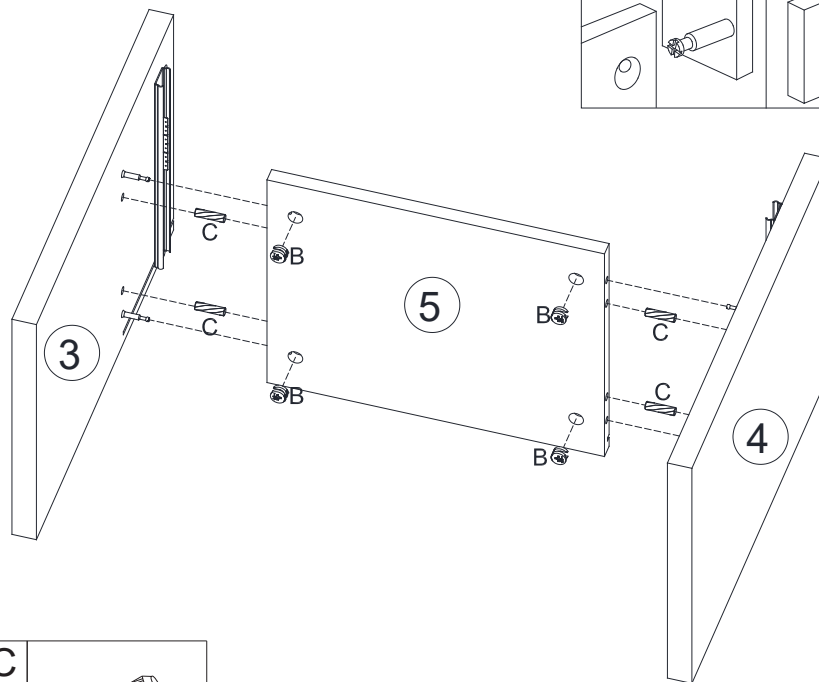
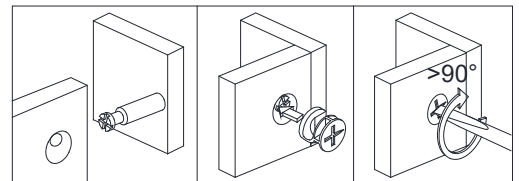




3. Assemble boards to the frame.



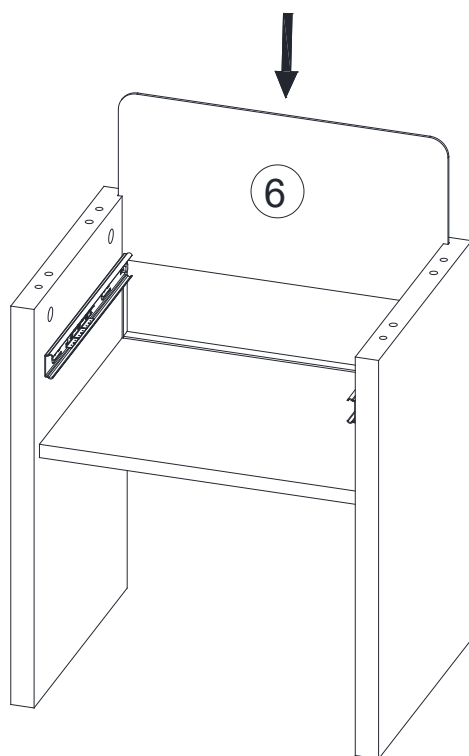
B		C	
	15*10mm Cam Lock		8*30mm Dowel
	4pcs		4pcs

4.

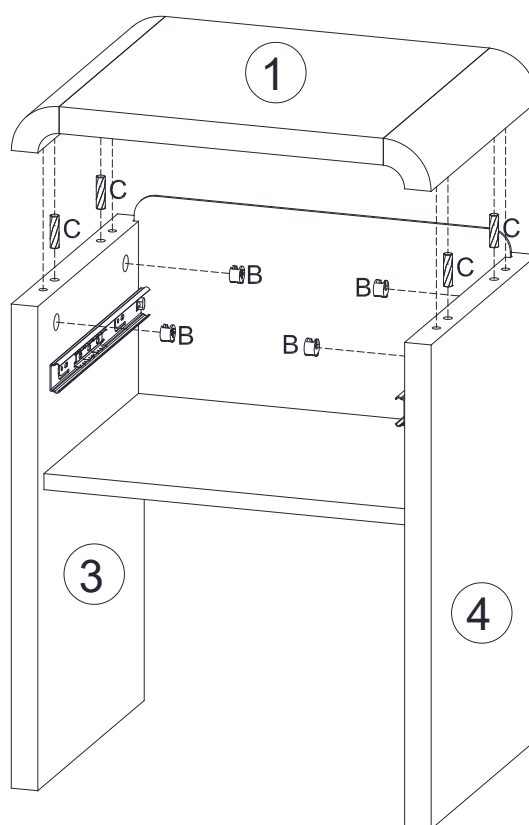
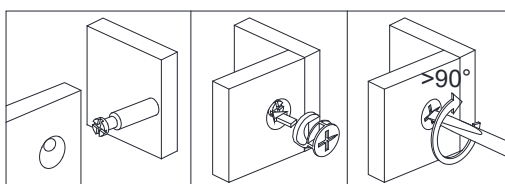




B		C	
	15*10mm Cam Lock		8*30mm Dowel
	4pcs		4pcs

5.

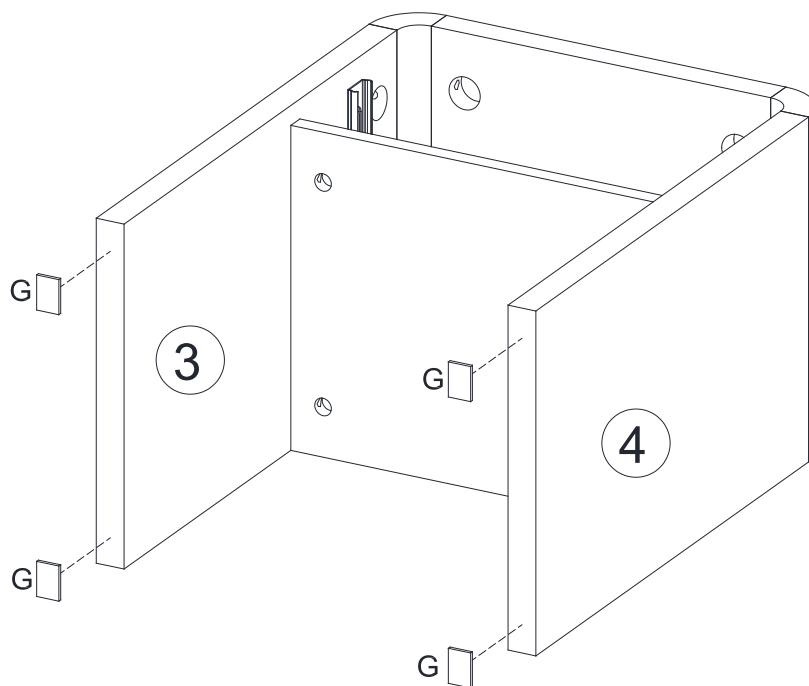


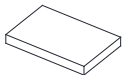
6. Assemble boards to the frame.



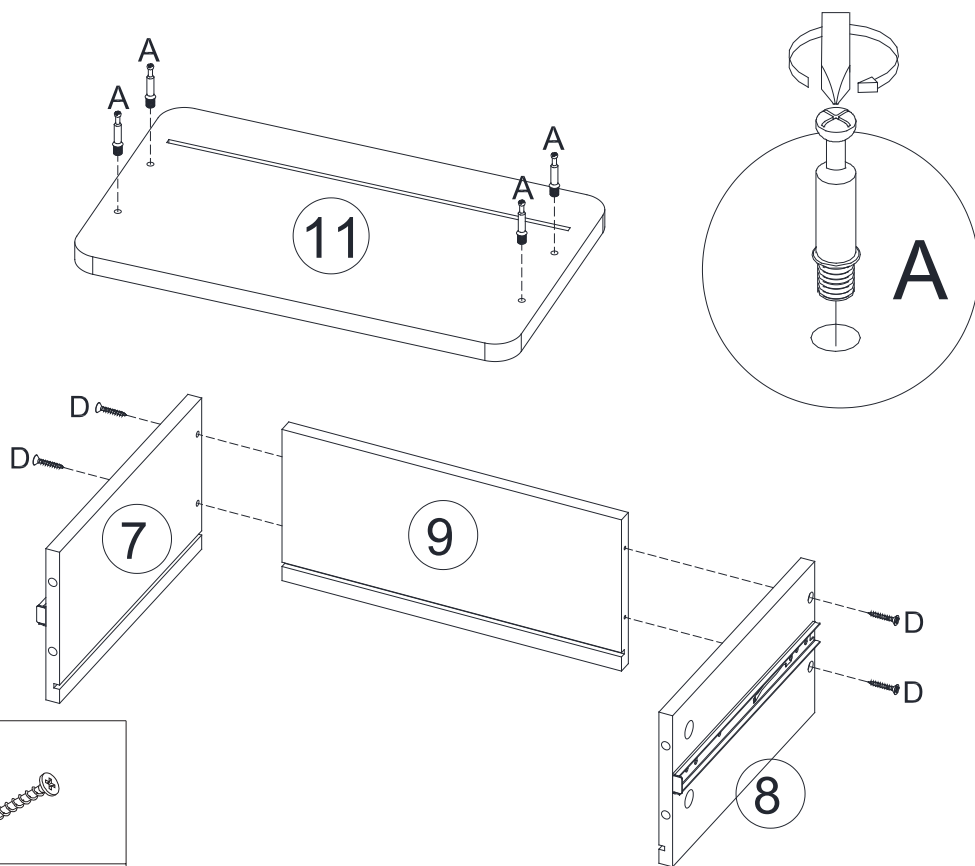
B		C	
15*10mm Cam Lock	8*30mm Dowel		
4pcs	4pcs		

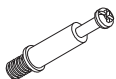

7.



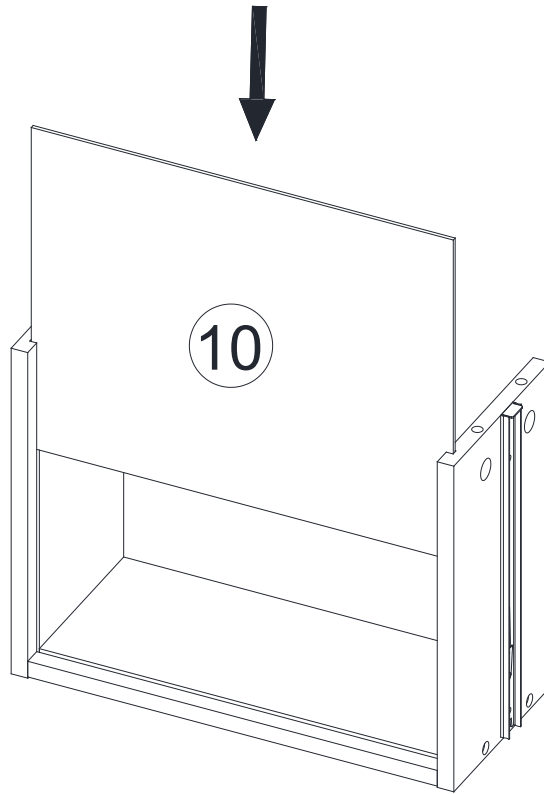
G	
	Pad
	4pcs

8.

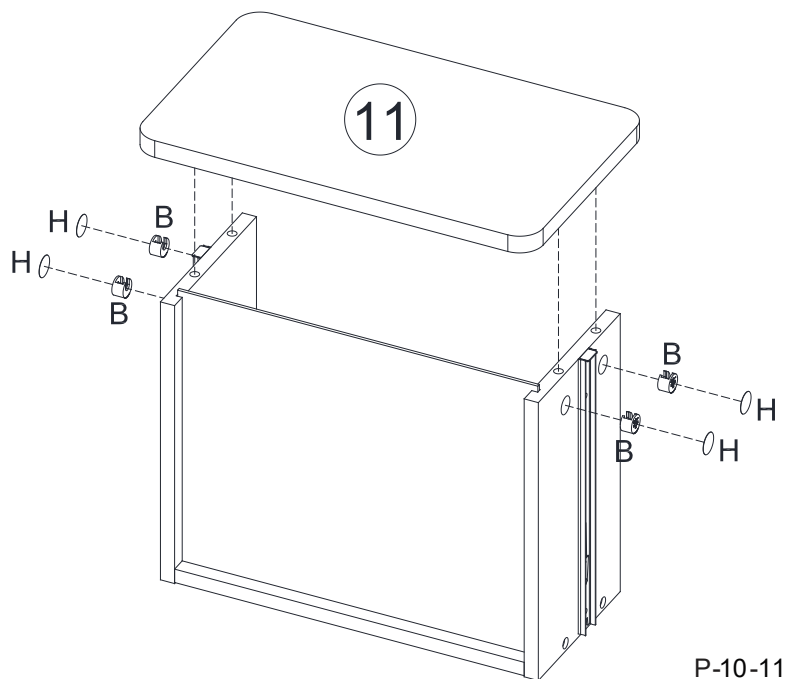
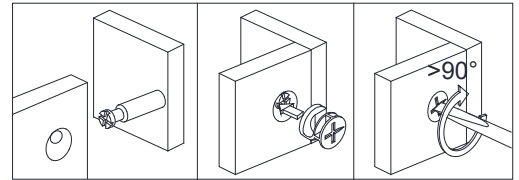
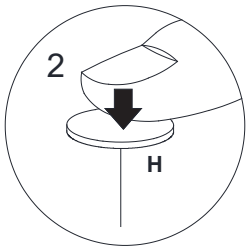




A	D
	
M6*35mm Bolt	M4*35mm Screw
4pcs	4pcs

9.



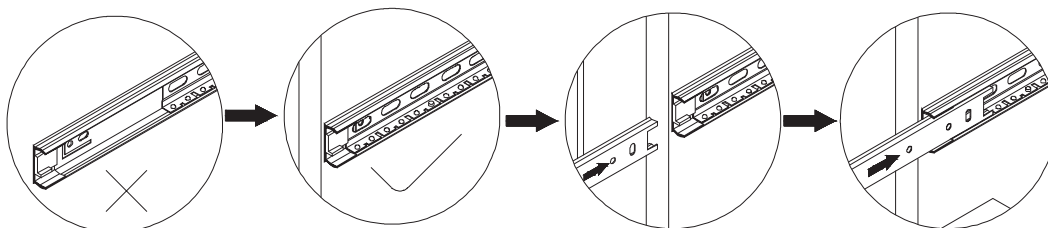
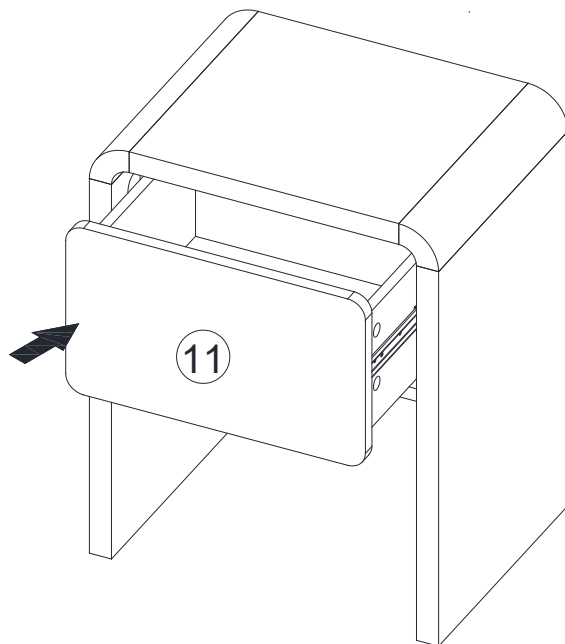
10.



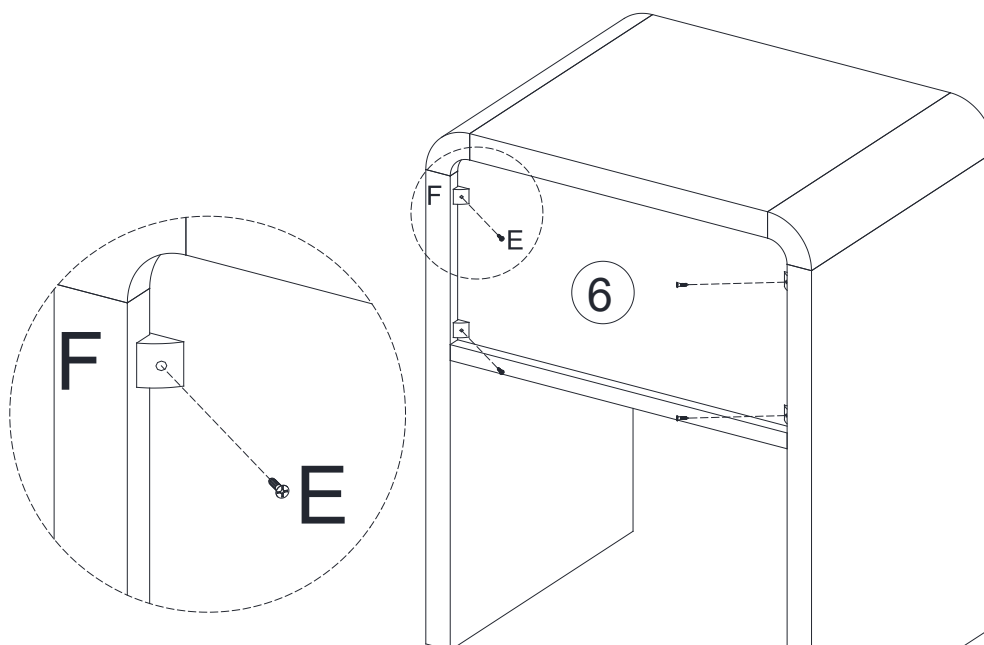
B	H
 15*10mm Cam Lock 4pcs	 Cover 4pcs

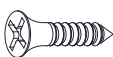

P-10-11
V-1.0

11.



12.



E	F
	
M3*16mm Screw 4pcs	Plastic Buckle 4pcs