

# DUSK.COM

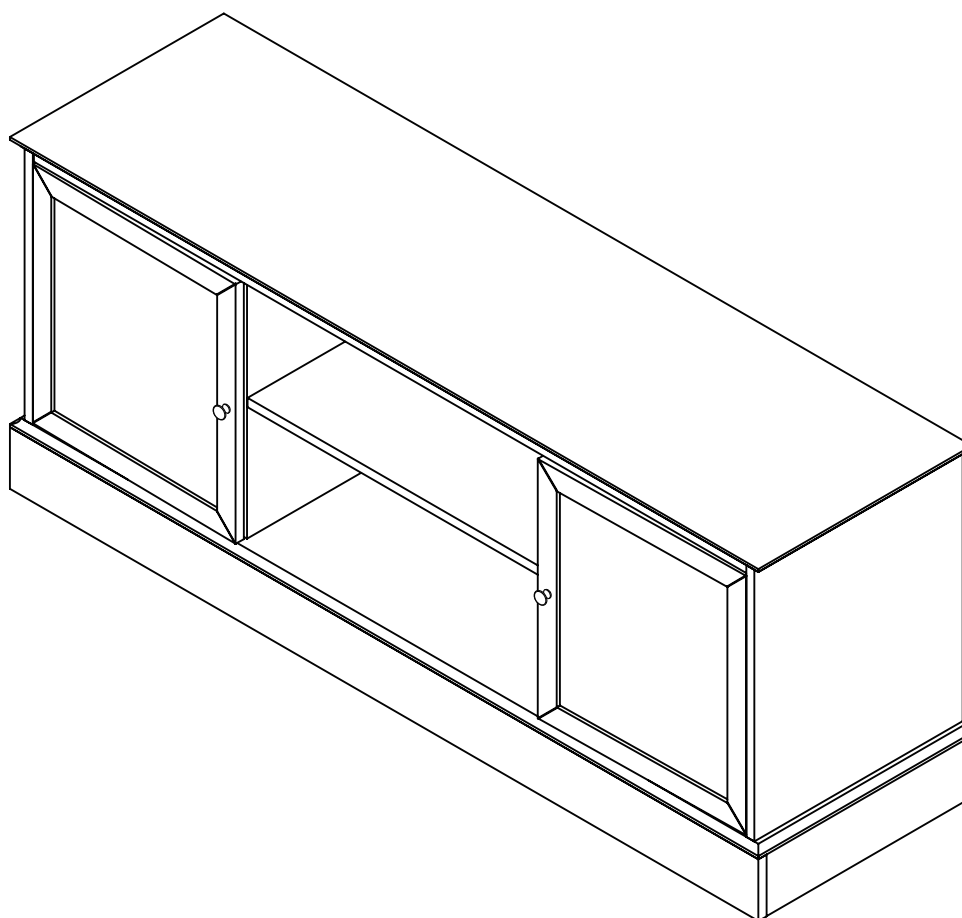
LIVING | BEDROOM | DINING

Range Name: New Ruby

Box1 Dimensions: W155xD48.5xH17 (cm)

Product Dimensions: W140xD40xH55 (cm)

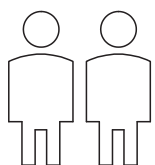
## TV unit



THIS INSTRUCTION BOOKLET CONTAINS IMPORTANT SAFETY INFORMATION.  
PLEASE READ AND KEEP FOR FUTURE REFERENCE.



Up to 90 minutes  
assembly time



Three person  
assembly



Electric screwdriver  
prohibited

This product is intended for domestic use only, not for commercial purposes.

V-1.0  
P-1/13

# IMPORTANT

## ASSEMBLY TIP

Before you begin, it's best to identify all of the parts and fittings to build your TV unit frame. We advise laying these out on the floor to check you have everything, and to familiarise yourself with all of the parts and fittings before building.

## TOP TIP

We recommend that you assemble the bedside in the room you'd like it to be located. This will help prevent any risk of damage to the frame whilst moving it.

## SAFETY AND CARE

1. It's important to ensure children and animals are kept away from the assembly area, as there are small components used in this product which could present a choking hazard. All plastic and wrapping materials should also be kept away from children and animals to prevent any risk of suffocation.
2. Do not stand on your product.
3. Always use the item on firm level ground, ensuring all legs remain in contact with the ground.
4. Place heaviest items in the lowest drawers.
5. Do not set TV or other heavy objects on top of the product.
6. Children should always be under supervision whilst using this product. Never allow children to climb on the drawers.
7. Never keep more than one drawer open at the same time.
8. In order to prevent overturning, this product must be used with the wall attachment device provided.
9. Serious or fatal crushing injuries can occur from tipping furniture.

## HELP AND SUPPORT

Please contact our customer service team on 0113 519 0311 if you have any questions or issues with your purchase.

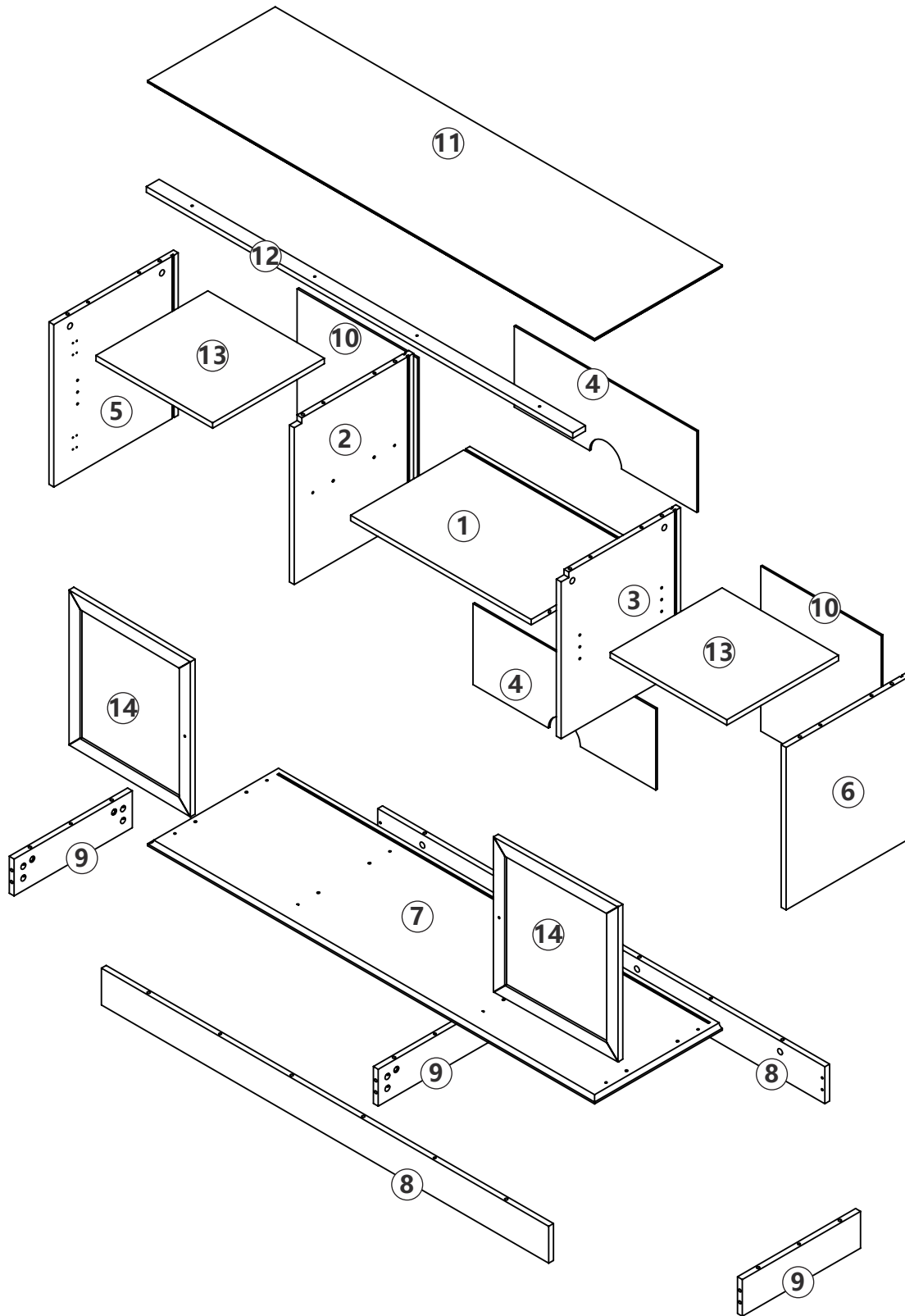
## RECYCLING

Please ensure that packaging is disposed of in a safe and environmentally friendly way, and recycle where possible. Please keep your assembly instructions safe to refer back to in the future.

## CARE AND MAINTENANCE

1. Only clean using a damp cloth, do not use bleach or abrasive cleaners as they may damage the finish over time.
2. Do not use a very wet cloth or allow any liquid to contact with the surface for a long period of time. Wipe any spillage immediately. Absorption can cause wood to warp or finishes to de-laminate.
3. Do not scrub or rub the surface when cleaning.
4. Do not drag the TV unit when moving, lift it off the floor instead.
5. Use a placemat or a coaster when putting hot items (e.g. hot drinks and dishes) on the wood surface.
6. It is not recommended to place the item next to sources of heat such as radiators, fires or directly exposed to sunlight. This may cause the wood to crack, split or fade due to the heat and humidity.
7. Wood will mellow and change colour over time, we recommend that ornaments and items placed on the surface to be moved regularly to prevent uneven mellowing.
8. Regularly check all fixings to ensure none have come loose. Re-tighten if necessary.
9. Avoid sharp items such as a screwdriver or any pointy tools.

# Parts list



# Parts list

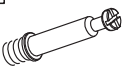


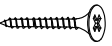





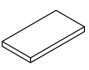


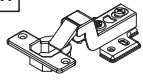
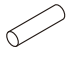
Before you begin building your TV unit, please take a moment to read through the instructions and make sure that you have all the relevant parts listed on the parts check list.

Part Number	Part Description	Quantity	Box No
1	Shelf Centre Panel	1 pc	Box1
2	Left Middle Panel	1 pc	Box1
3	Right Middle Panel	1 pc	Box1
4	Back Panel	2 pcs	Box1
5	Left Side Panel	1 pc	Box1
6	Right Side Panel	1 pc	Box1
7	Bottom Panel	1 pc	Box1
8	Leg Long Panel	2 pcs	Box1
9	Leg Short Panel	3 pcs	Box1
10	Back Panel	2 pcs	Box1
11	Top Panel	1 pc	Box1
12	Top Support Bar	1 pc	Box1

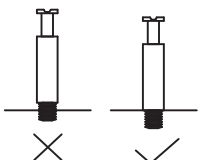
Part Number	Part Description	Quantity	Box No
13	Shelf Side Panel	2 pcs	Box1
14	Door Panel	2 pcs	Box1

# Fittings

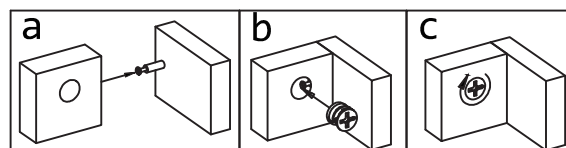
Please check you have all the fittings listed below with your product in Box1.

<b>A</b> 	<b>B</b> 	<b>C</b> 	<b>D</b> 	<b>E</b> 	<b>F</b> 	<b>G</b> 
M5*35mm Cam Lock Screw 38pcs+4pcs extra	Ø15*10mm Cam Lock 38pcs+4pcs extra	Ø8*30mm Dowel 27pcs+3pcs extra	M4*25mm Screw 4pcs	Cover 8pcs	Plastic Buckle 16pcs+2 pcs extra	M3*12mm Screw 16pcs+2pcs extra
<b>H</b> 	<b>I</b> 	<b>J</b> 	<b>K</b> 	<b>L</b> 	<b>M</b> 	<b>N</b> 
Handle 2pcs	M4*20mm Bolt 2pcs	Mat 10pcs+1pc extra	M4*40mm Screw 8pcs+1pc extra	M4*14mm Screw 24pcs+3pcs extra	Hinge 4pcs	Shelf Support 8pcs+1pc extra

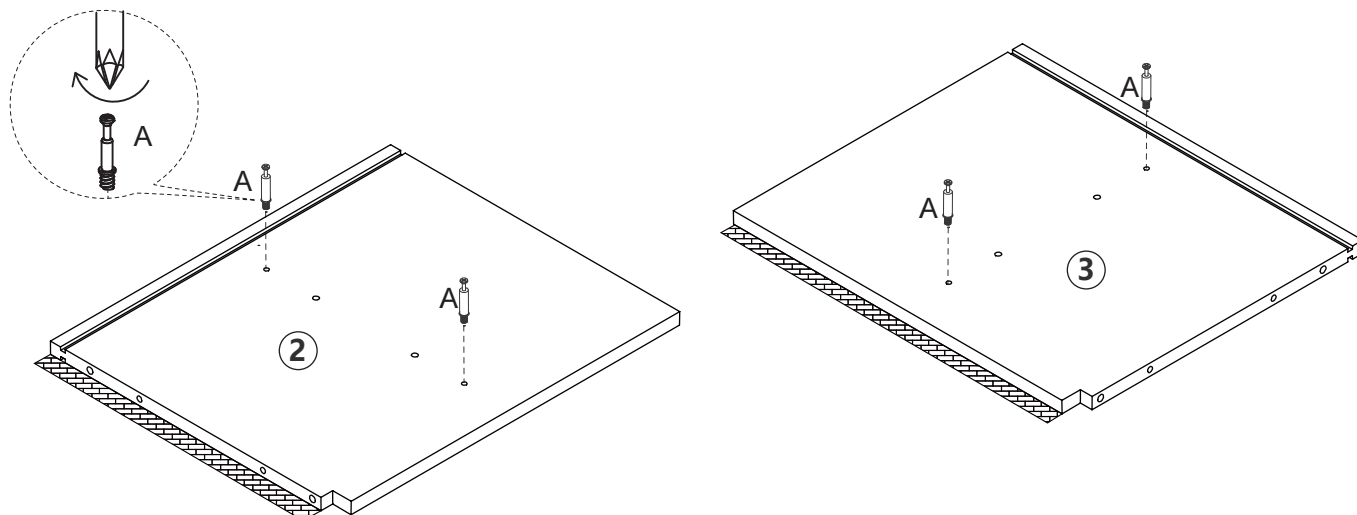
Ensure the cam lock screws are installed correctly, as indicated by the "check mark" below.



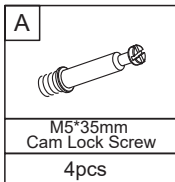
Refer to the illustration below to correctly use the cam lock screws for assembling the panels.



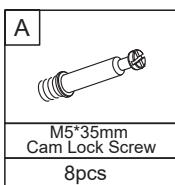
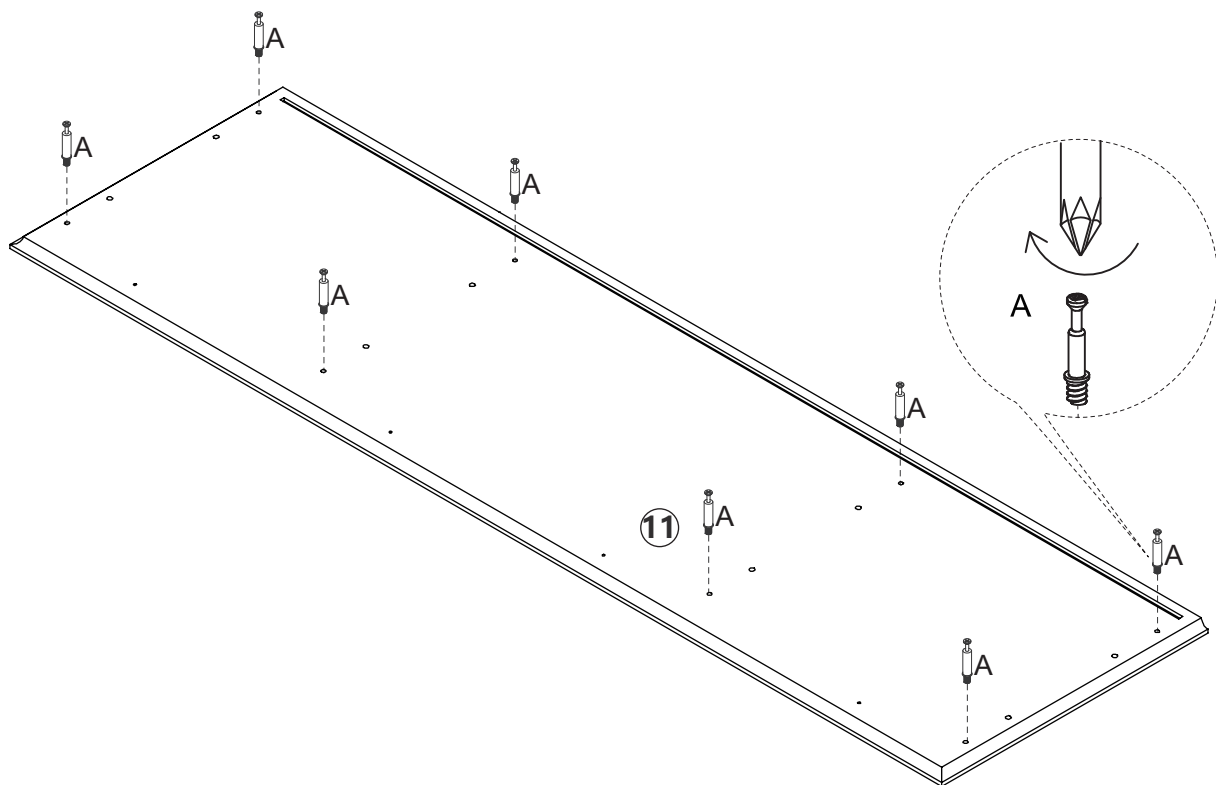
## 1. Attach parts to the middle panel.



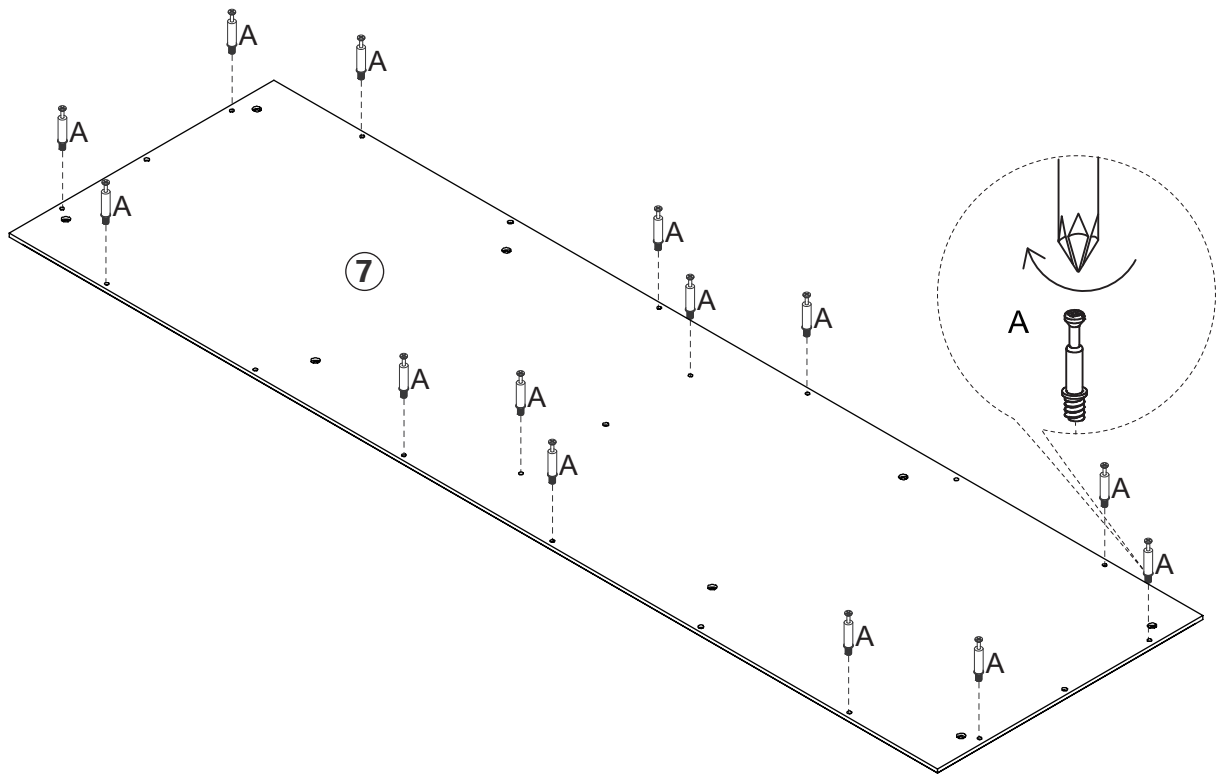
Put an EPS foam pad under the panels for surface scratch protection.

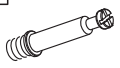


## 2. Attach parts to the top panel.

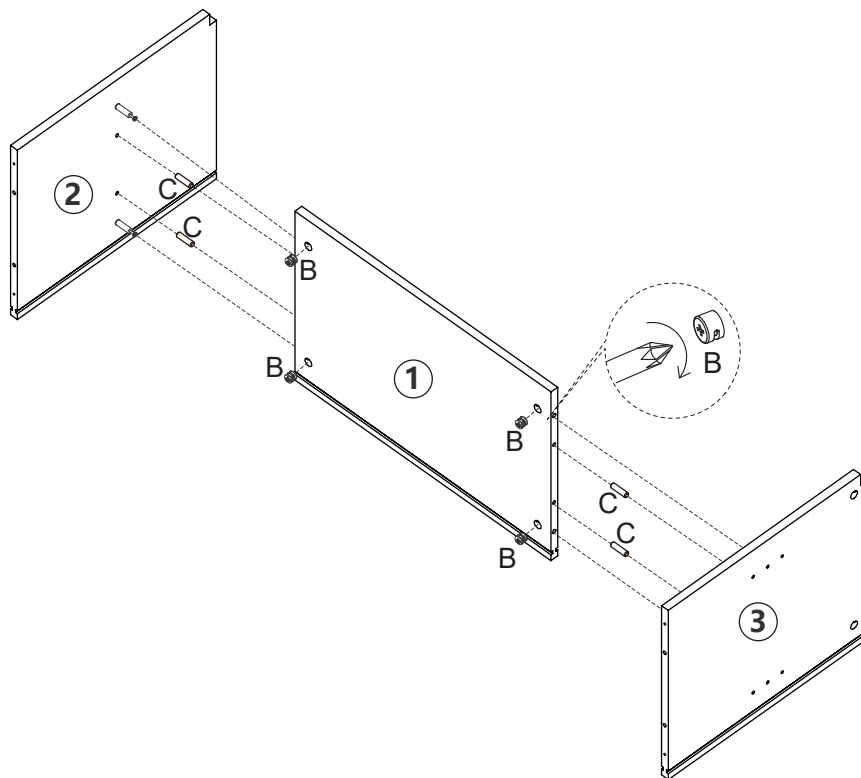




### 3. Attach parts to the bottom panel.



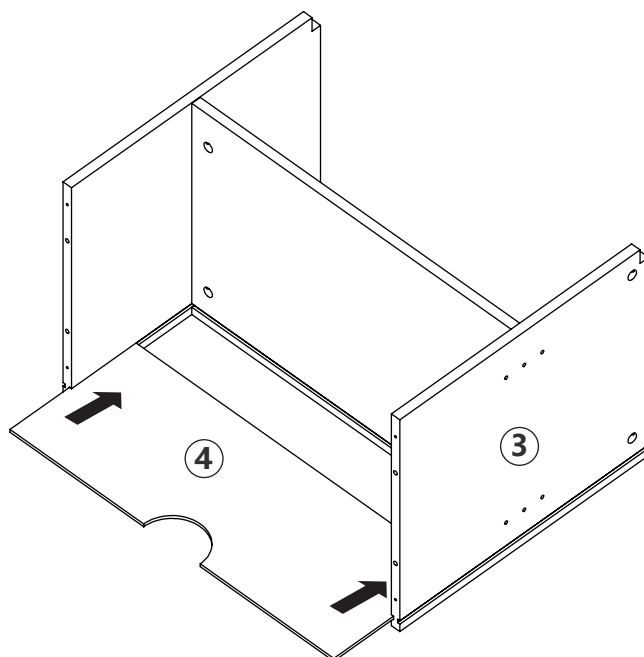
A	
M5*35mm Cam Lock Screw	
14pcs	

### 4. Assemble the panels of each part together according to the diagram.

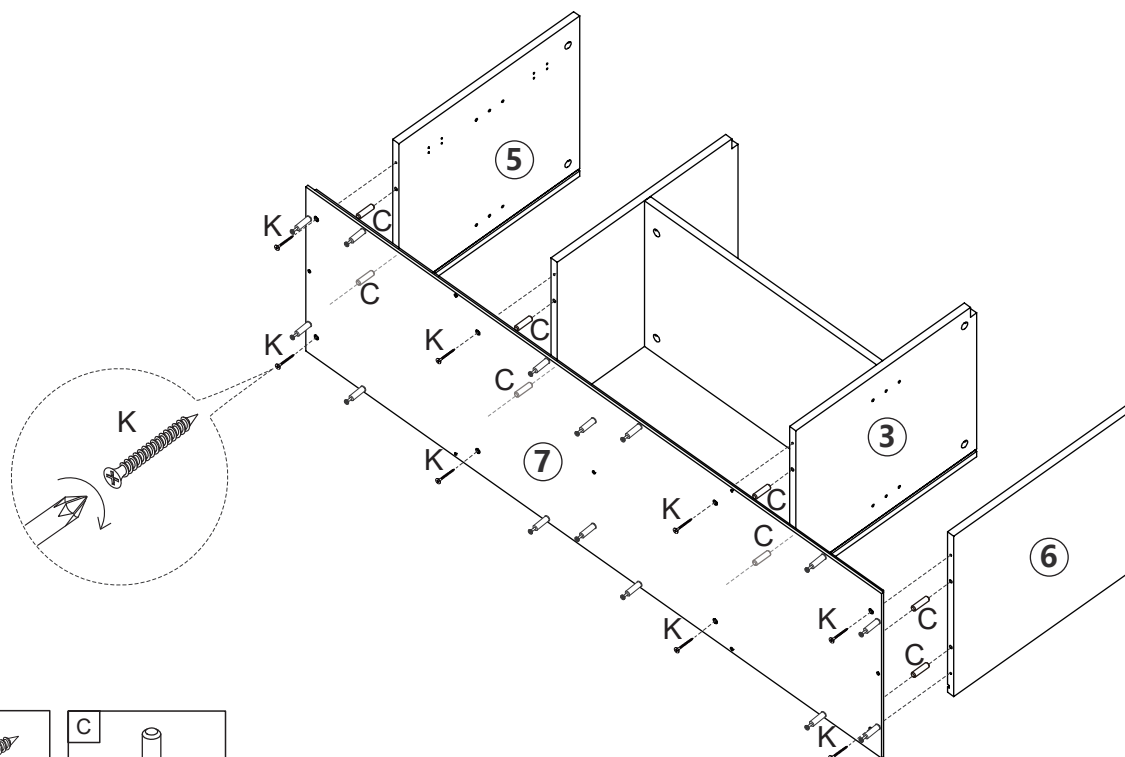




B		C	
Ø15*10mm Cam Lockk		Ø8*30mm Dowel	
4pcs		4pcs	

## 5. Assemble back panel.

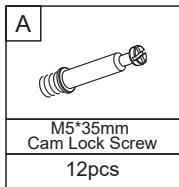
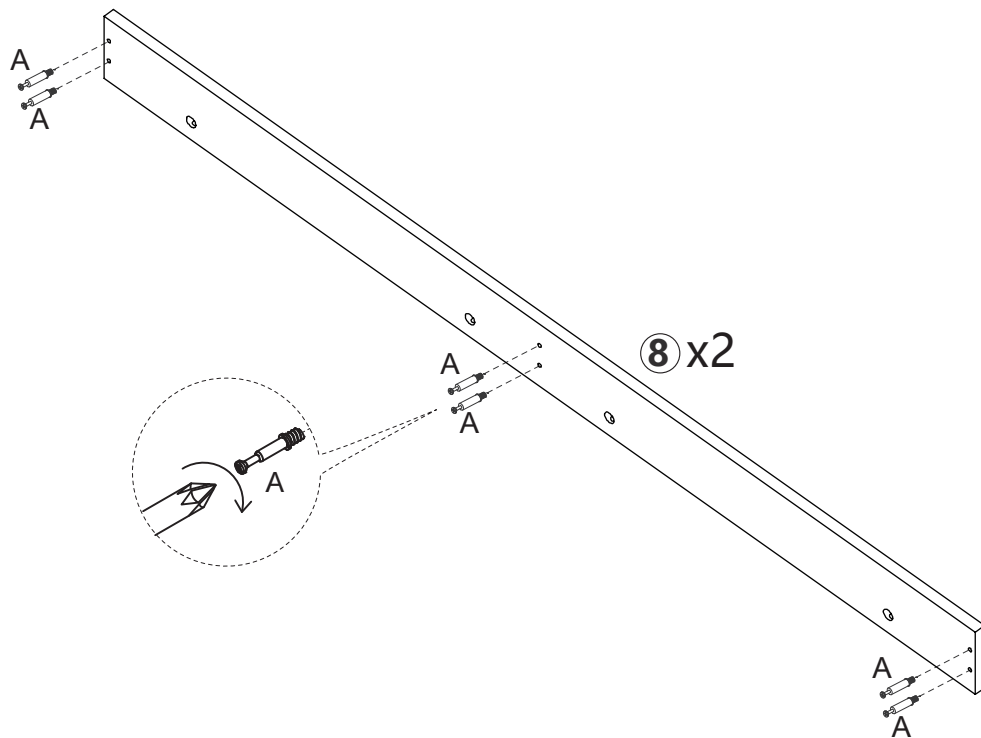


## 6. Attach panels to the bottom.

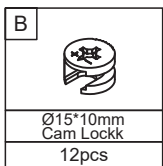
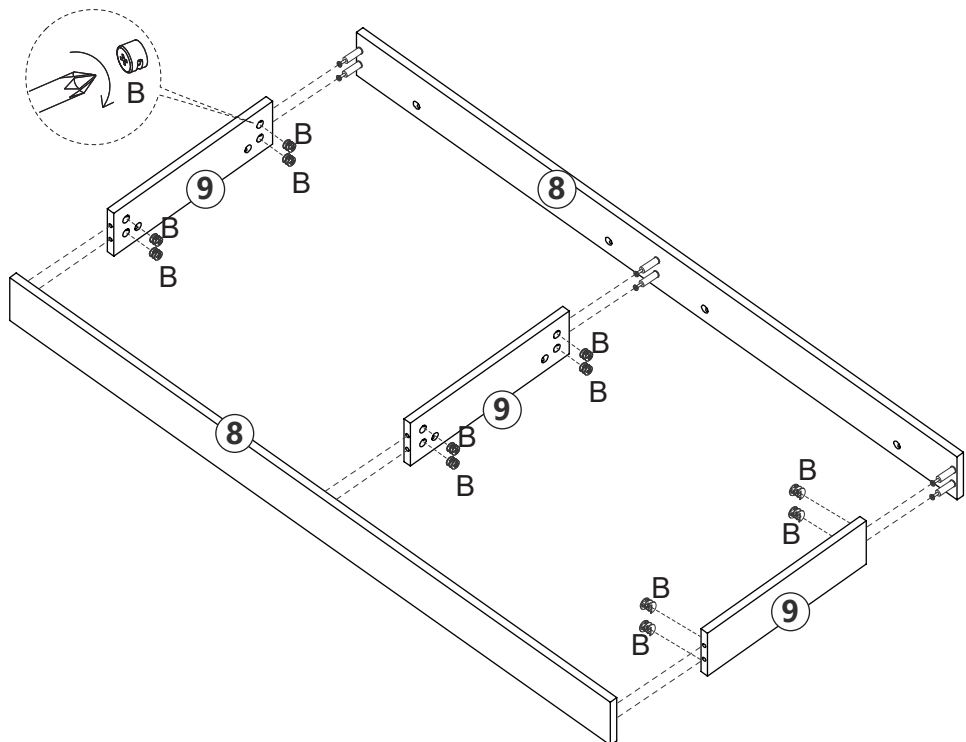


<b>K</b> 	<b>C</b> 
M4*40mm Screw	Ø8*30mm Dowel
8pcs	8pcs

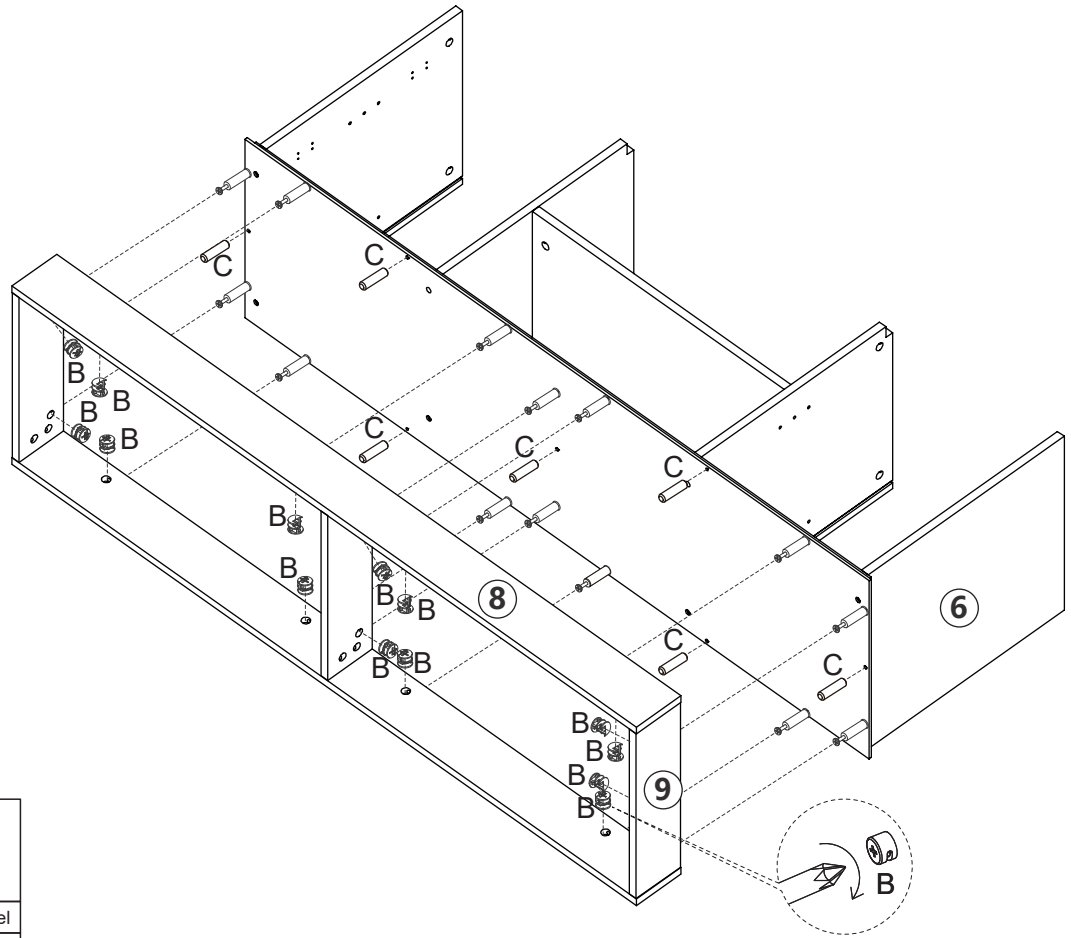
## 7. Attach parts to the legs panel.





## 8. Assemble the panels of each part together according to the diagram.

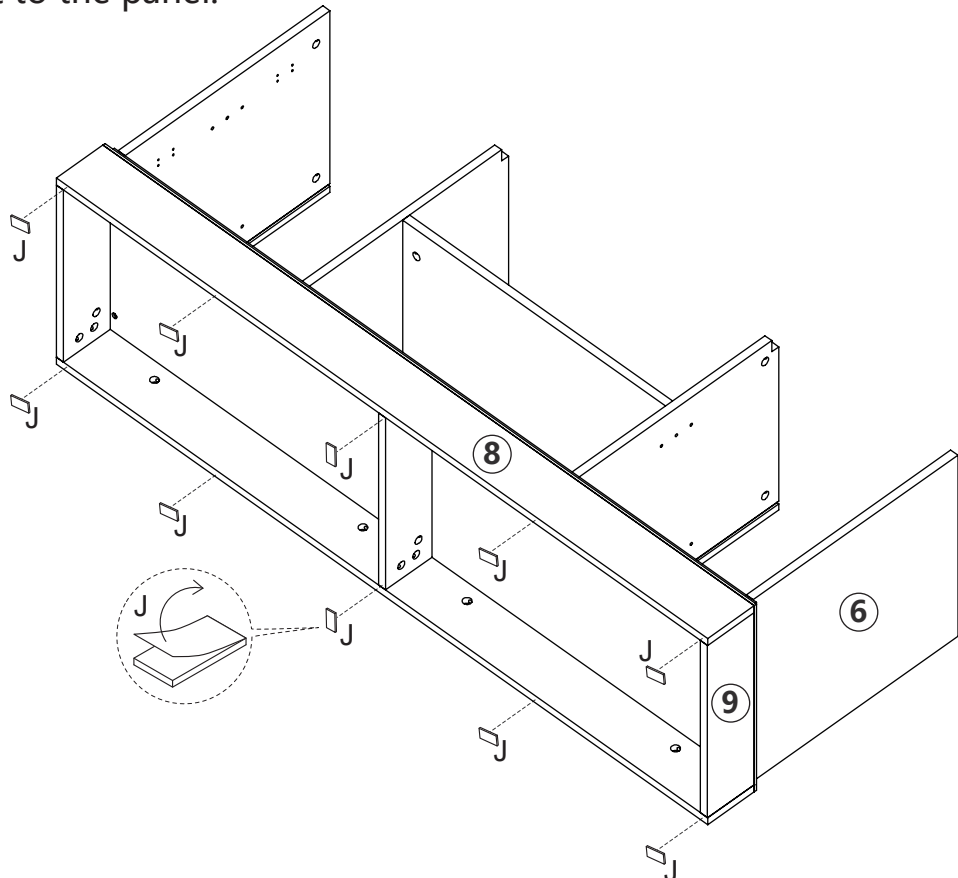


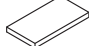
## 9. Attach Legs to the bottom.



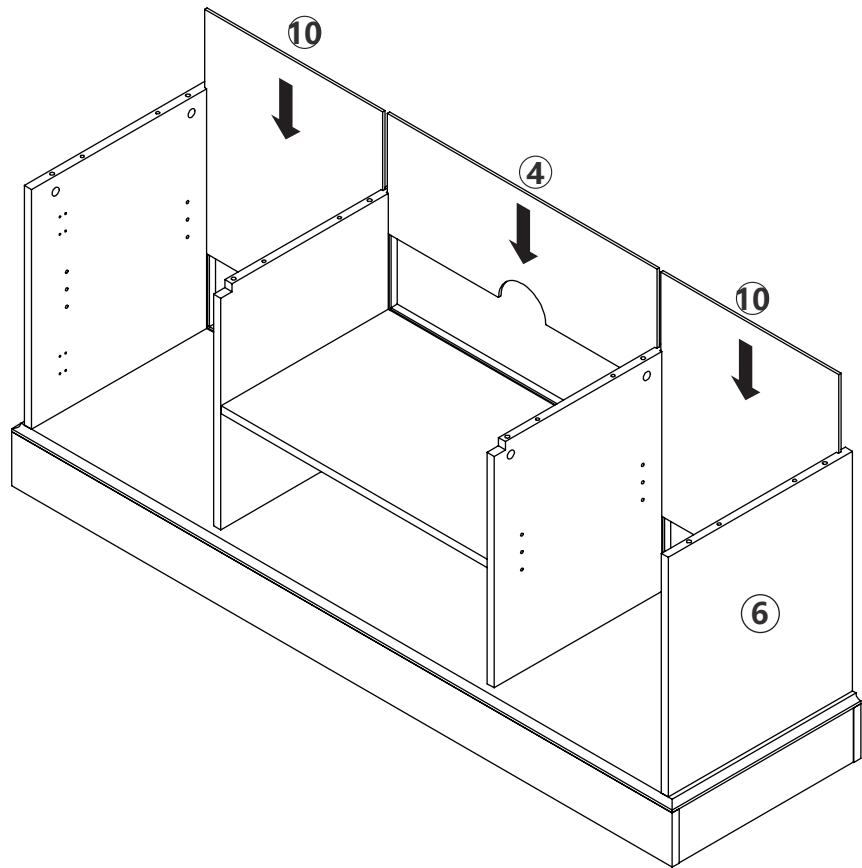
B	C
 Ø15*10mm Cam Lockk 14pcs	 Ø8*30mm Dowel 7pcs

## 10. Attach leg mat to the panel.

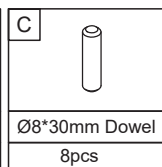
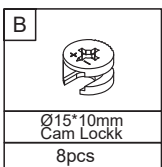
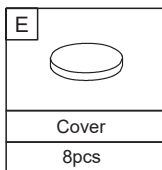
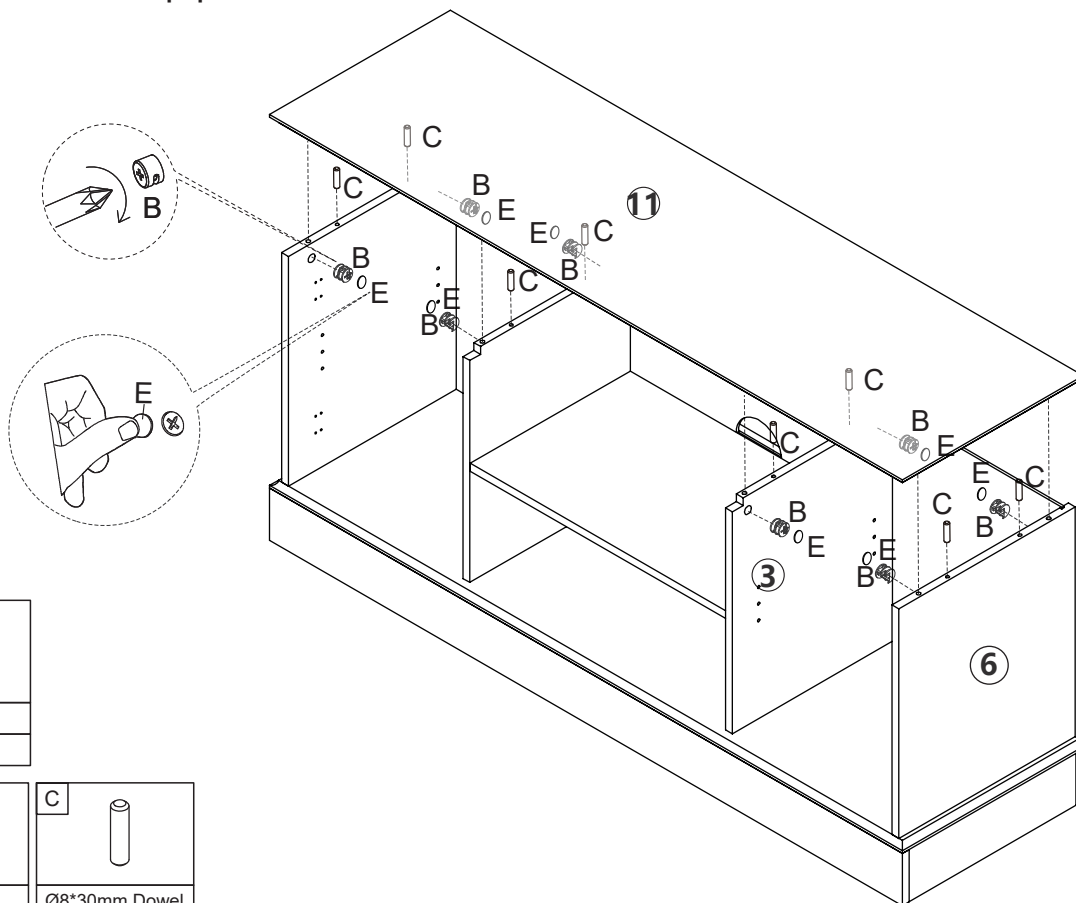


J
 Mat 10pcs

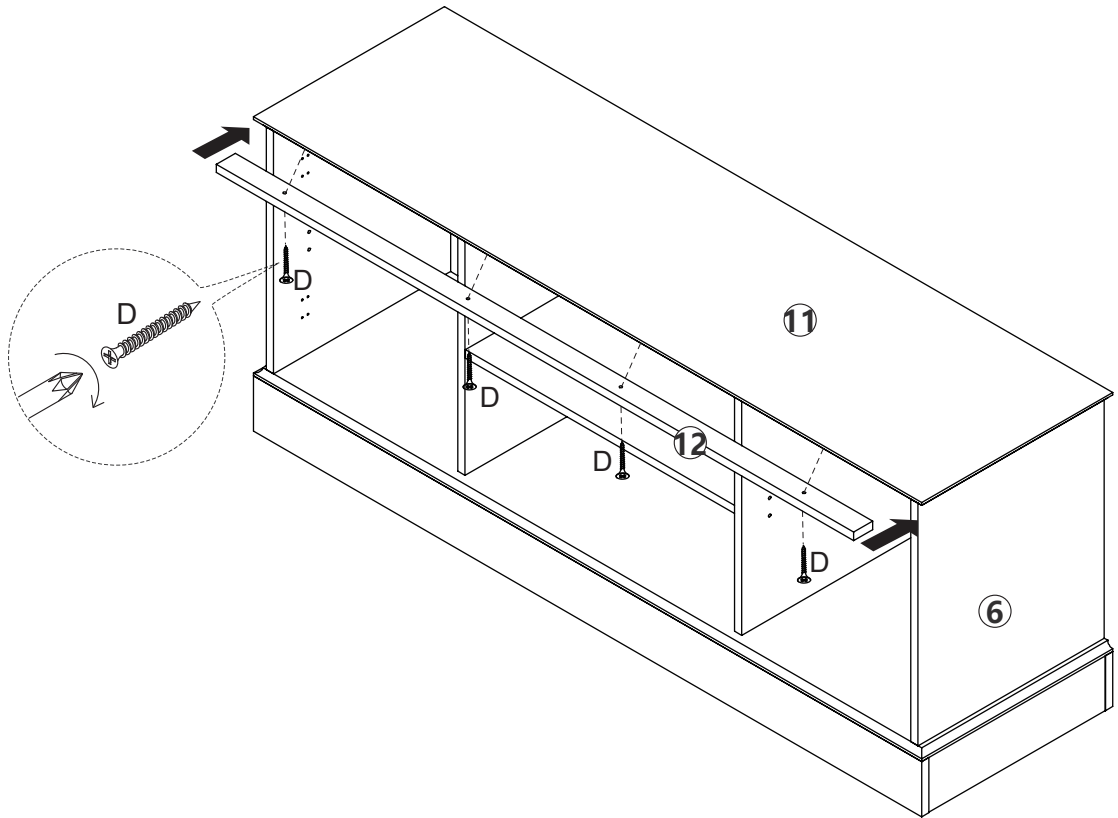
## 11. Assemble back panel.

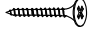


## 12. Attach the top panel to the frame.

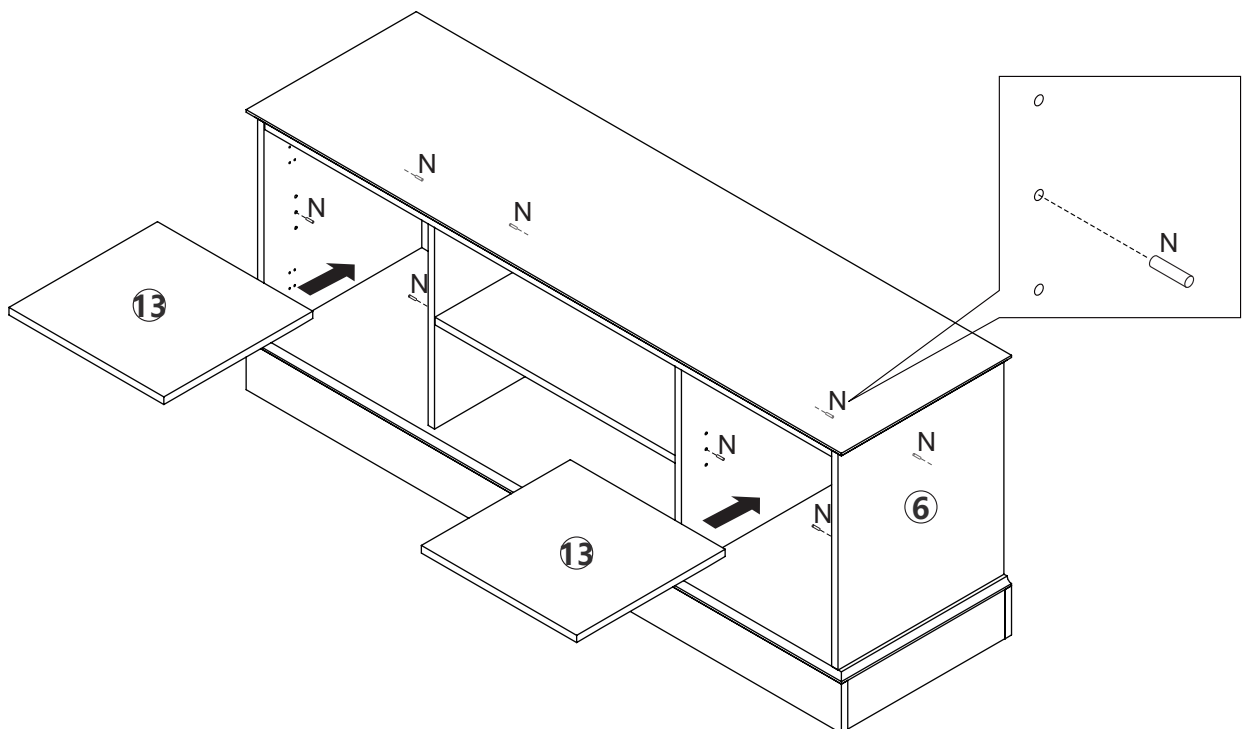


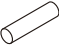
13. Assemble the top support bar together according to the diagram.



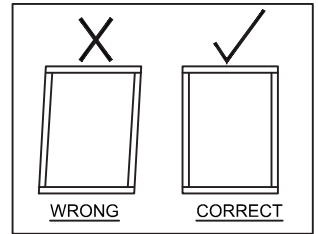
D

M4*25mm Screw
4pcs

14. Assemble the panels of each part together according to the diagram.

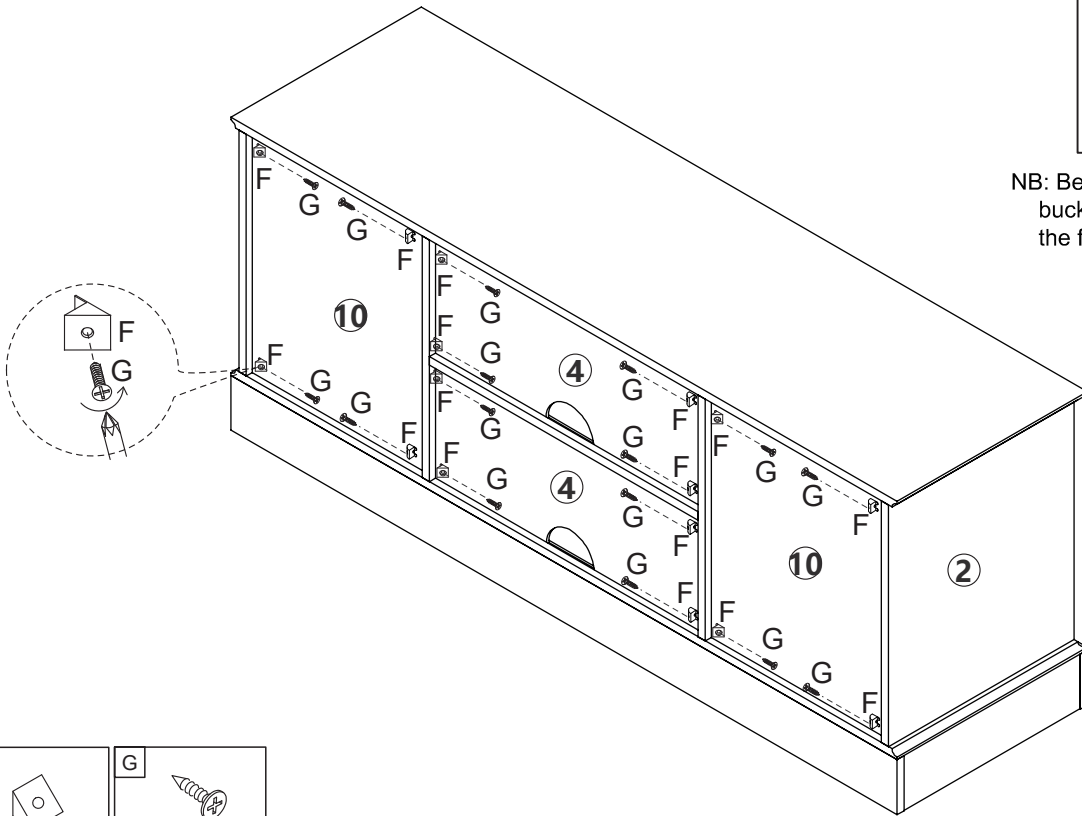


N

Shelf Support
8pcs

## 15. Attach the plastic buckles and screws.



NB: Before tightening the plastic buckles and screws, please ensure the frame is square



F	G
Plastic Buckle	M3*12mm Screw
16pcs	16pcs

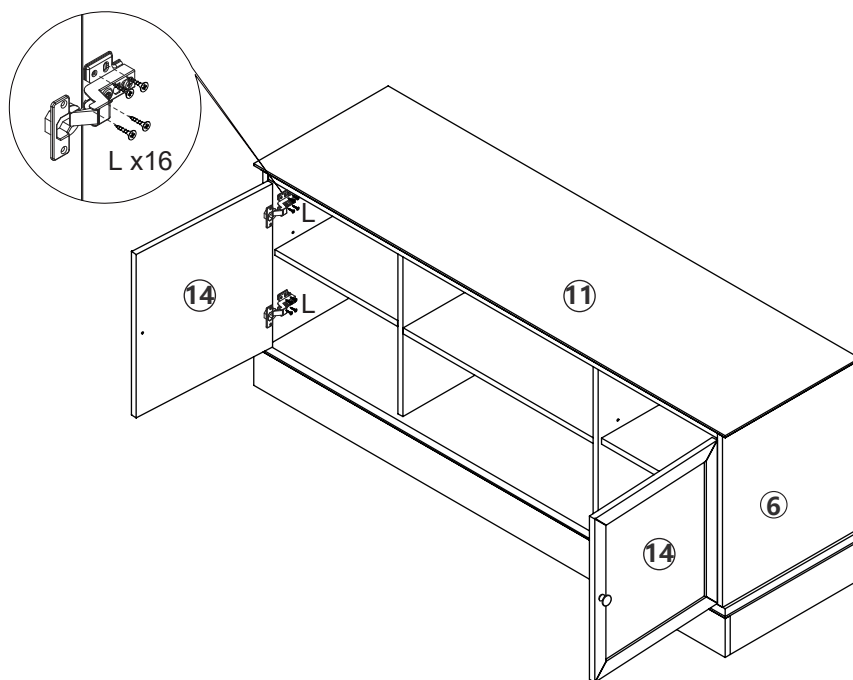
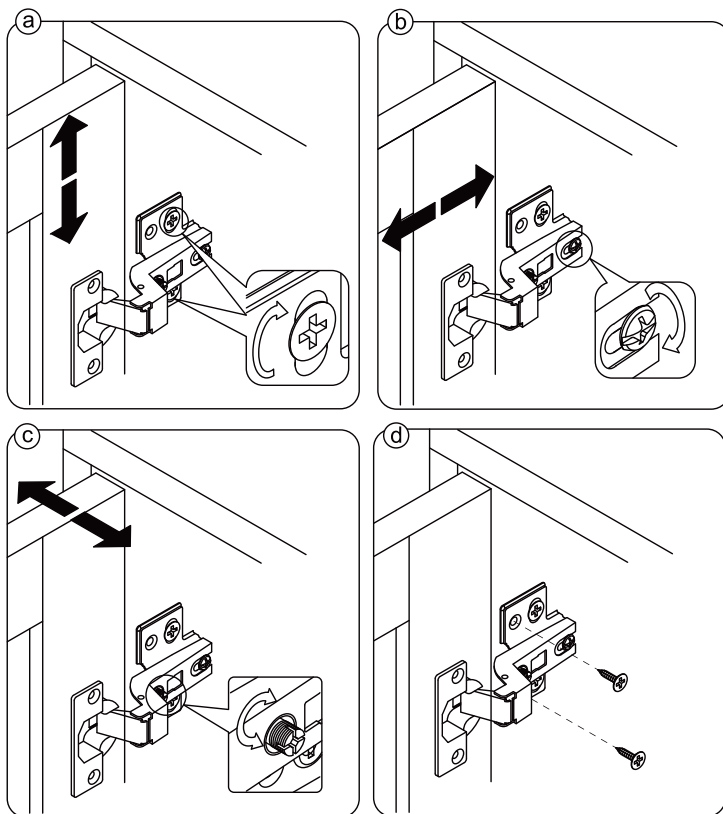
## 16. Attach parts to the door panel.

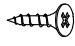


x2

H	I	M	L
Handle	M4*20mm Bolt	Hinge	M4*14mm Screw
2pcs	2pcs	4pcs	8pcs

17. Assemble the door panel onto the cabinet and adjust it as shown in the picture, Make the door gap even and smooth.



L

M4*14mm Screw
16pcs