

# DUSK.COM

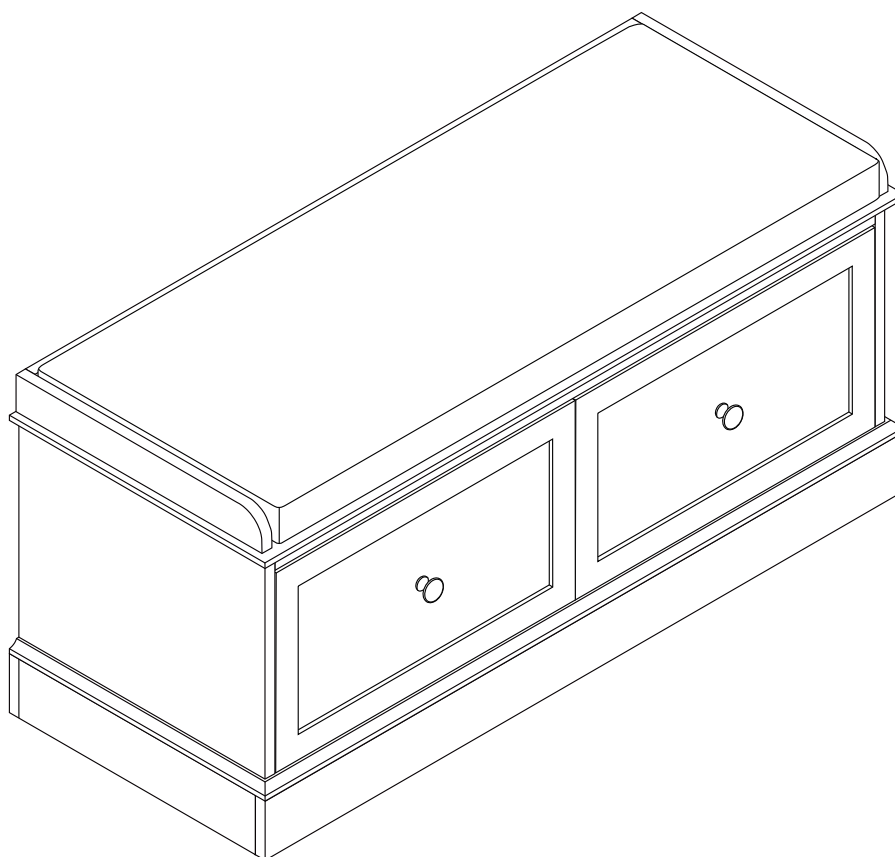
LIVING | BEDROOM | DINING

Range Name: New Ruby

Box Dimensions: W115xD49xH23.5 (cm)

Product Dimensions: W100xD40xH45 (cm)

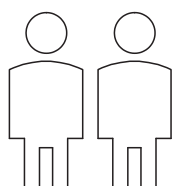
## Storage Cupboard



THIS INSTRUCTION BOOKLET CONTAINS IMPORTANT SAFETY INFORMATION.  
PLEASE READ AND KEEP FOR FUTURE REFERENCE.



Up to 60 minutes  
assembly time



Two person  
assembly



Electric screwdriver  
prohibited

This product is intended for domestic use only, not for commercial purposes.

V-1.0  
P-1/12

# IMPORTANT

## ASSEMBLY TIP

Before you begin, it's best to identify all of the parts and fittings to build your Storage Cupboard frame. We advise laying these out on the floor to check you have everything, and to familiarise yourself with all of the parts and fittings before building.

## TOP TIP

We recommend that you assemble the bedside in the room you'd like it to be located. This will help prevent any risk of damage to the frame whilst moving it.

## SAFETY AND CARE

1. It's important to ensure children and animals are kept away from the assembly area, as there are small components used in this product which could present a choking hazard. All plastic and wrapping materials should also be kept away from children and animals to prevent any risk of suffocation.
2. Do not stand on your product.
3. Always use the item on firm level ground, ensuring all legs remain in contact with the ground.
4. Place heaviest items in the lowest drawers.
5. Do not set TV or other heavy objects on top of the product.
6. Children should always be under supervision whilst using this product. Never allow children to climb on the drawers.
7. Never keep more than one drawer open at the same time.
8. In order to prevent overturning, this product must be used with the wall attachment device provided.
9. Serious or fatal crushing injuries can occur from tipping furniture.

## HELP AND SUPPORT

Please contact our customer service team on 0113 519 0311 if you have any questions or issues with your purchase.

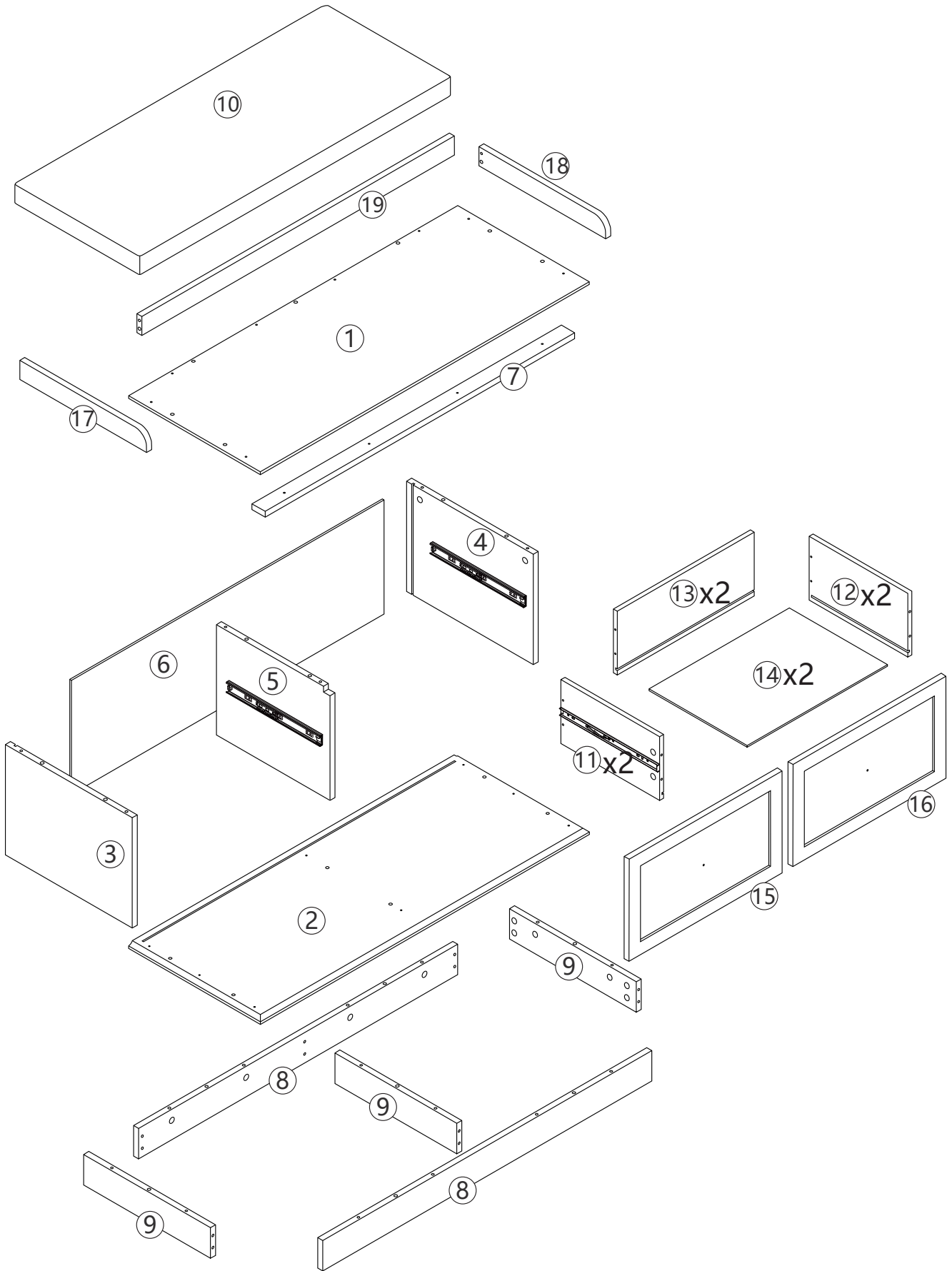
## RECYCLING

Please ensure that packaging is disposed of in a safe and environmentally friendly way, and recycle where possible. Please keep your assembly instructions safe to refer back to in the future.

## CARE AND MAINTENANCE

1. Only clean using a damp cloth, do not use bleach or abrasive cleaners as they may damage the finish over time.
2. Do not use a very wet cloth or allow any liquid to contact with the surface for a long period of time. Wipe any spillage immediately. Absorption can cause wood to warp or finishes to de-laminate.
3. Do not scrub or rub the surface when cleaning.
4. Do not drag the Storage Cupboard when moving, lift it off the floor instead.
5. Use a placemat or a coaster when putting hot items (e.g. hot drinks and dishes) on the wood surface.
6. It is not recommended to place the item next to sources of heat such as radiators, fires or directly exposed to sunlight. This may cause the wood to crack, split or fade due to the heat and humidity.
7. Wood will mellow and change colour over time, we recommend that ornaments and items placed on the surface to be moved regularly to prevent uneven mellowing.
8. Regularly check all fixings to ensure none have come loose. Re-tighten if necessary.
9. Avoid sharp items such as a screwdriver or any pointy tools.

# Parts list



# Parts list

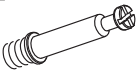


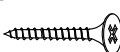

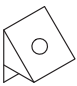


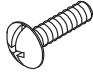
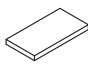

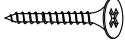
Before you begin building your Storage Cupboard, please take a moment to read through the instructions and make sure that you have all the relevant parts listed on the parts check list.

Part Number	Part Description	Quantity	Box No
1	Top Panel	1 pc	Box1
2	Bottom Panel	1 pc	Box1
3	Left Side Panel With Slide Pre-assembled	1 pc	Box1
4	Right Side Panel With Slide Pre-assembled	1 pc	Box1
5	Middle Panel With Slide Pre-assembled	1 pc	Box1
6	Back Panel	1 pc	Box1
7	Front Support Bar	1 pc	Box1
8	Leg Long Panel	2 pcs	Box1
9	Leg Short Panel	3 pcs	Box1
10	Cushion	1 pc	Box1
11	Drawer Left Side With Slide Pre-assembled	2 pcs	Box1
12	Drawer Right Side With Slide Pre-assembled	2 pcs	Box1



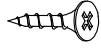
Part Number	Part Description	Quantity	Box No
13	Drawer Back Side	2 pcs	Box1
14	Drawer Bottom	2 pcs	Box1
15	Left Drawer Front	1 pc	Box1
16	Right Drawer Front	1 pc	Box1
17	Seat Side Bar Left	1 pc	Box1
18	Seat Side Bar Right	1 pc	Box1
19	Seat Side Bar Back	1 pc	Box1

## Fittings

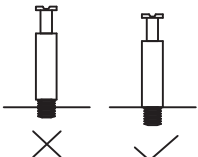
Please check you have all the fittings listed below with your product in Box1.

<b>A</b> 	<b>B</b> 	<b>C</b> 	<b>D</b> 	<b>E</b> 	<b>F</b> 
M5*35mm Cam Lock Screw	Ø15*10mm Cam Lock	Ø8*30mm Dowel	M4*35mm Screw	Cover	Plastic Buckle
42pcs+4pcs extra	42pcs+4pcs extra	28pcs+3pcs extra	8pcs+1pc extra	8pcs+1pc extra	8pcs+1pc extra
<b>G</b> 	<b>H</b> 	<b>I</b> 	<b>J</b> 	<b>K</b> 	<b>L</b> 
M3*12mm Screw	Handle	M4*14mm Bolt	Mat	M4*40mm Screw	M4*22mm Screw
8pcs+1pc extra	2pcs	2pcs	6pcs	16pcs+2pcs extra	4pcs

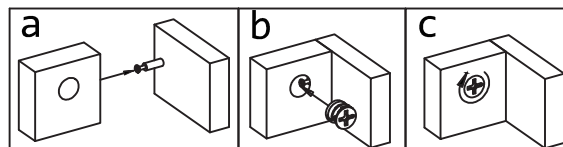
## Pre- assembled Fitting

<b>M1</b> 	<b>M2</b> 	<b>N</b> 
Slide	Slide	M3.5*12mm Screw
4pcs	4pcs	24pcs

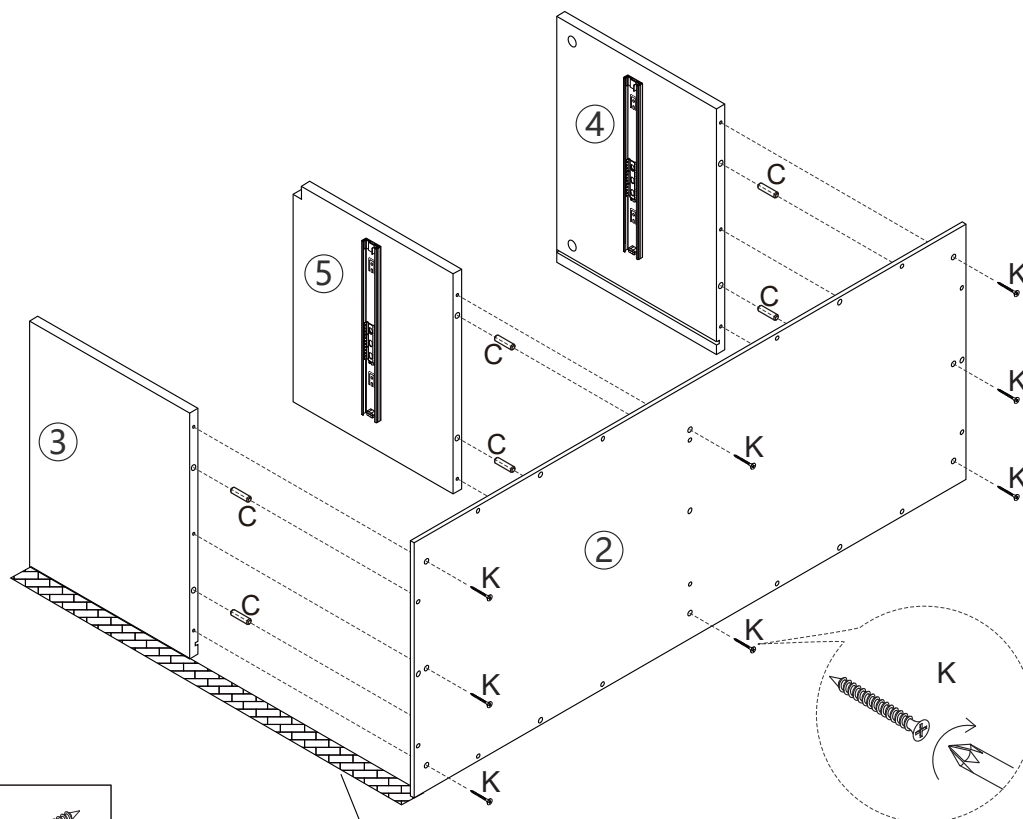
Ensure the cam lock screws are installed correctly, as indicated by the "check mark" below.





Refer to the illustration below to correctly use the cam lock screws for assembling the panels.



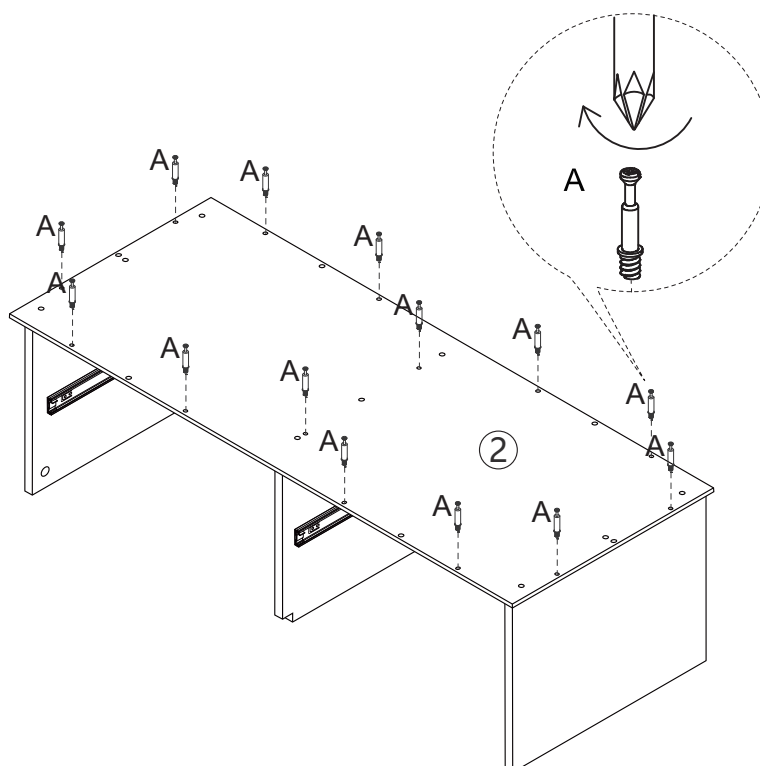
1. Assemble the panels of each part together according to the diagram.

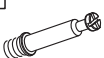


C		K	
Ø8*30mm Dowel		M4*40mm Screw	
6pcs		8pcs	

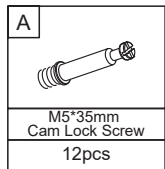
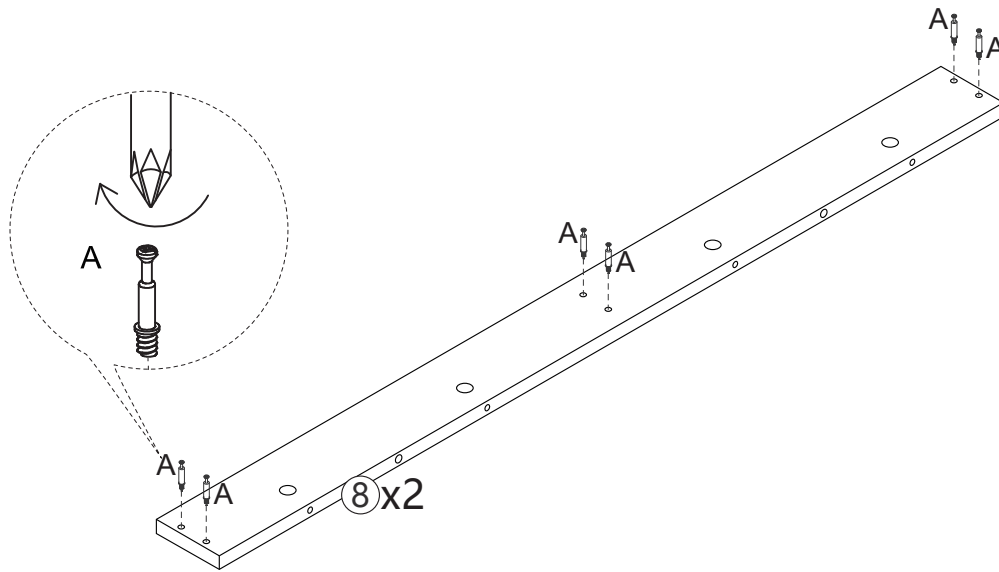
Put an EPS foam pad under the panels for surface scratch protection.

2. Attach parts to the bottom panel.

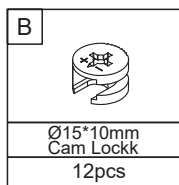
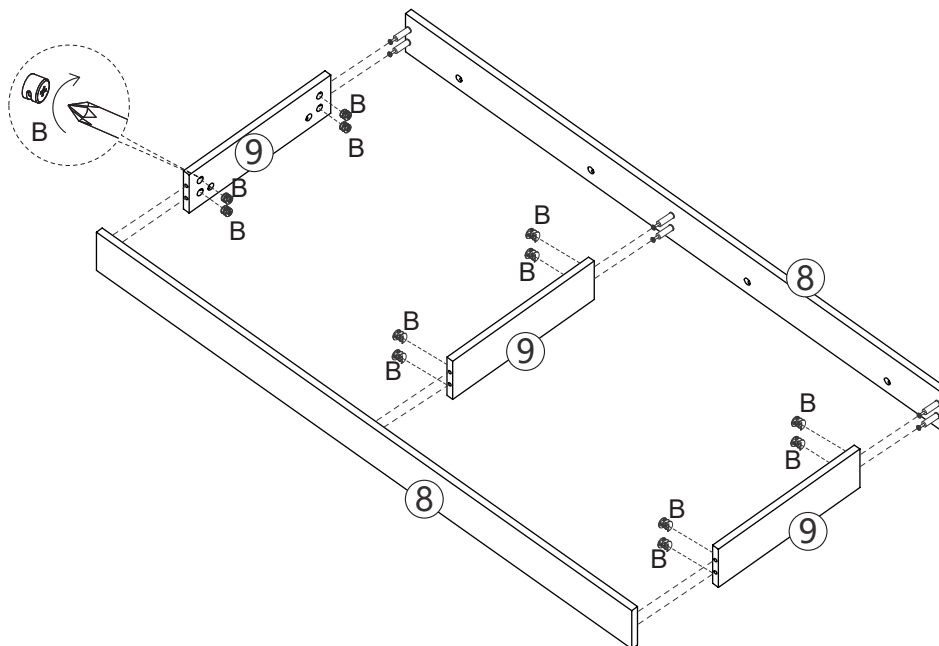


A	
M5*35mm Cam Lock Screw	
14pcs	

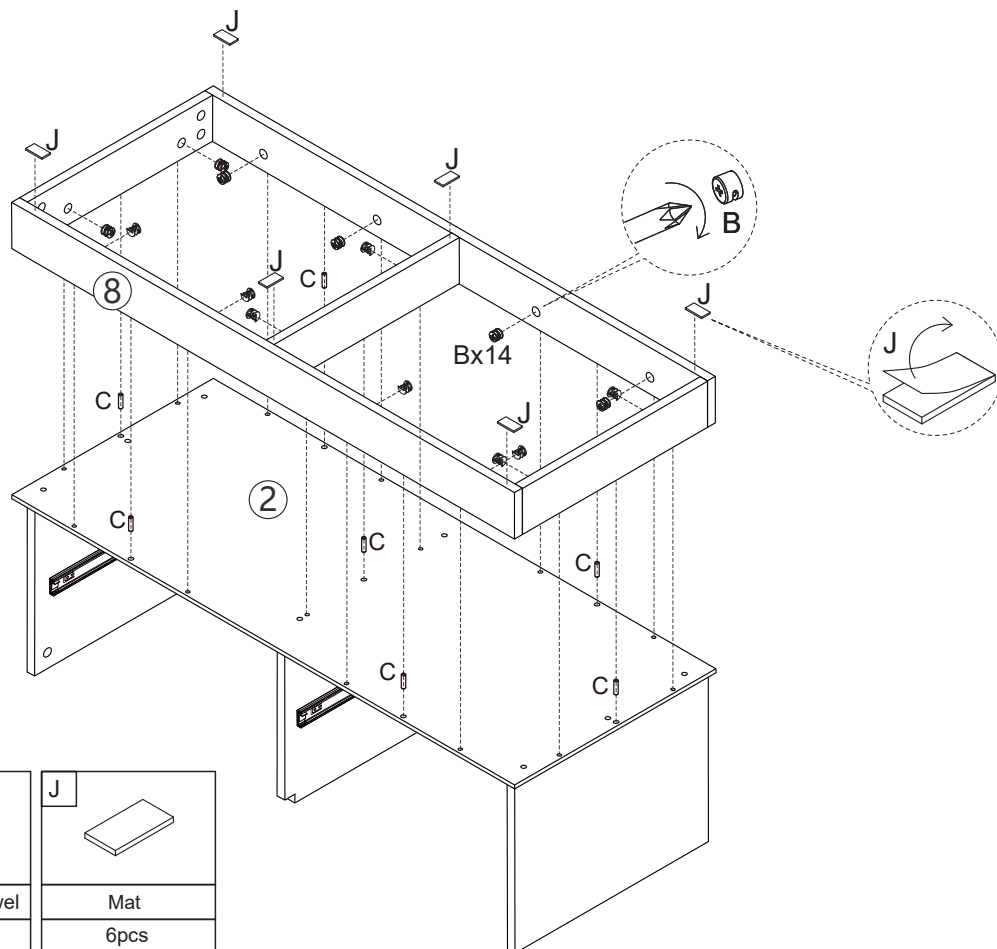
### 3. Attach parts to the leg panel.



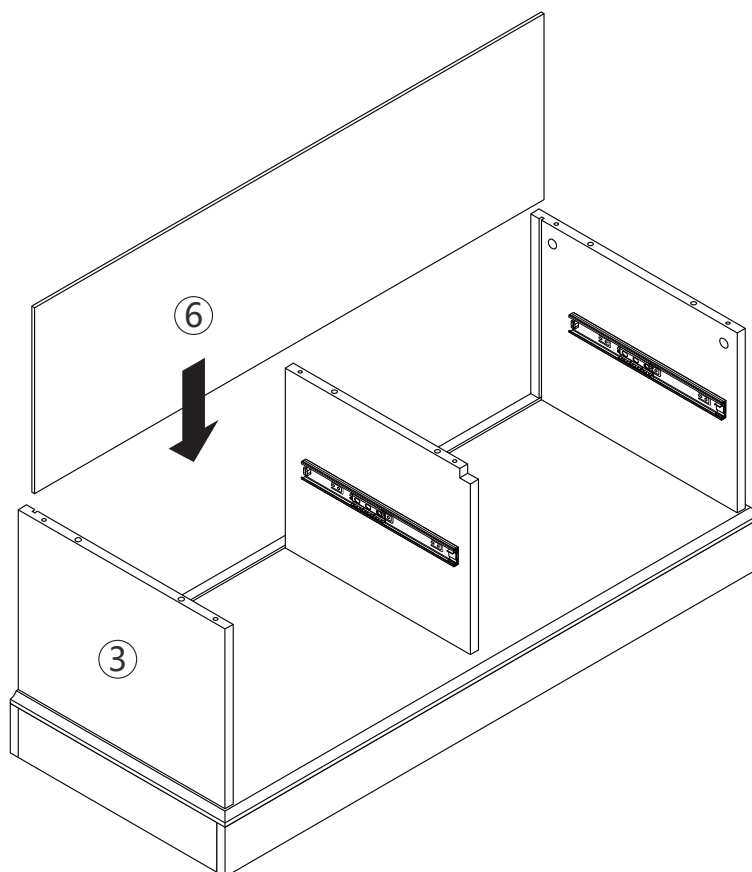
### 4. Assemble the panels of each part together according to the diagram.



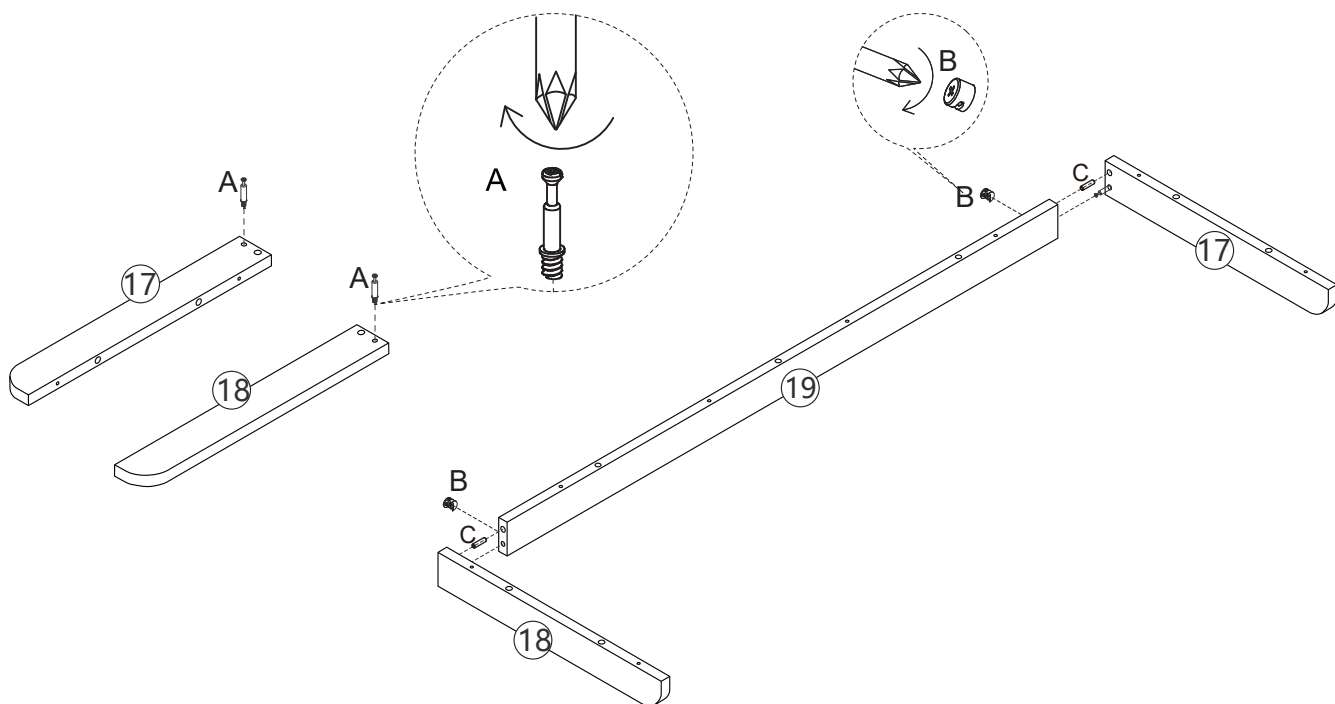
## 5. Attach legs to the bottom.

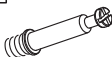




## 6. Assemble back panel.

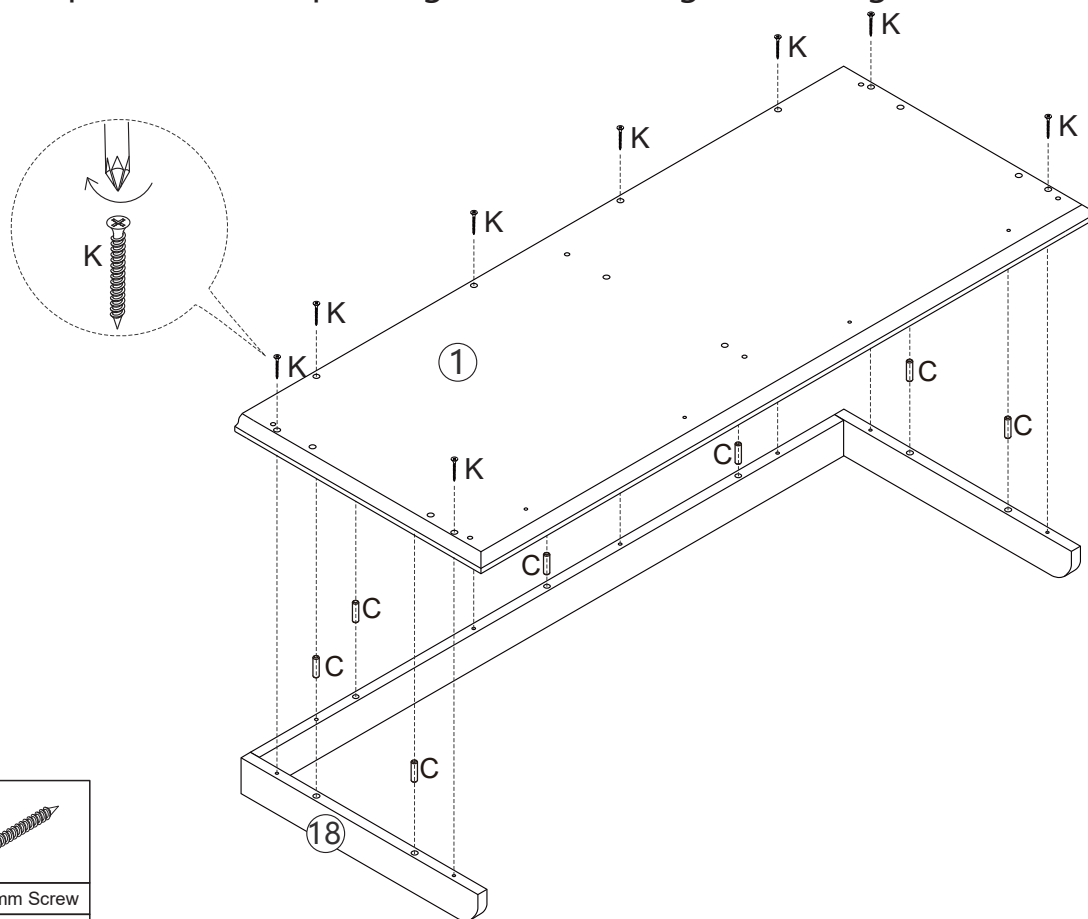




7. Assemble the panels of each part together according to the diagram.



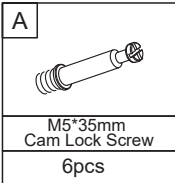
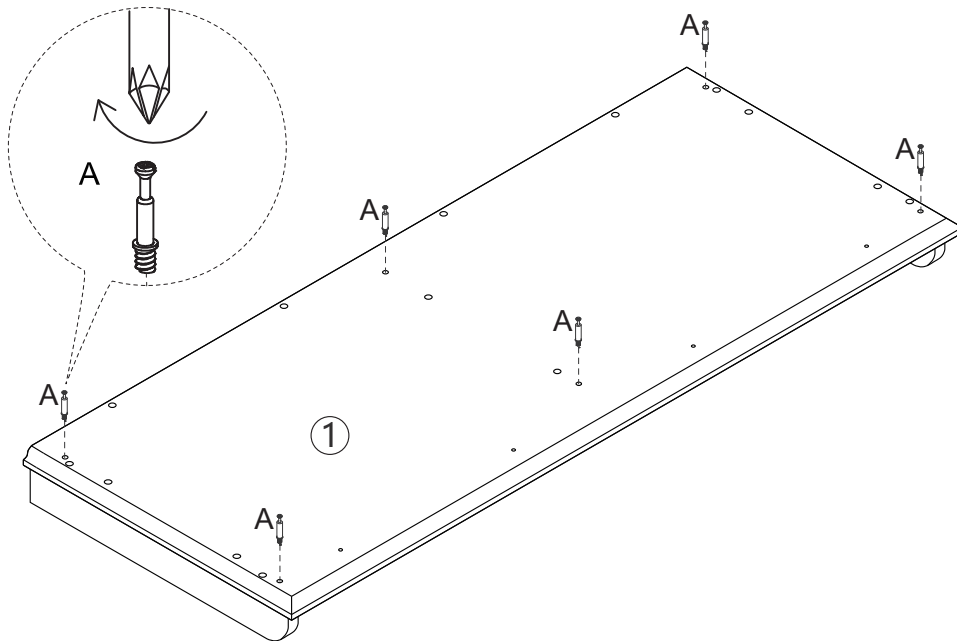
<p><b>A</b></p> 	<p><b>B</b></p> 	<p><b>C</b></p> 
<p>M5*35mm Cam Lock Screw 2pcs</p>	<p>Ø15*10mm Cam Lockk 2pcs</p>	<p>Ø8*30mm Dowel 2pcs</p>

8. Assemble the panels of each part together according to the diagram.

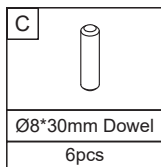
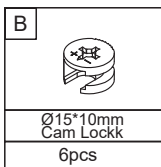
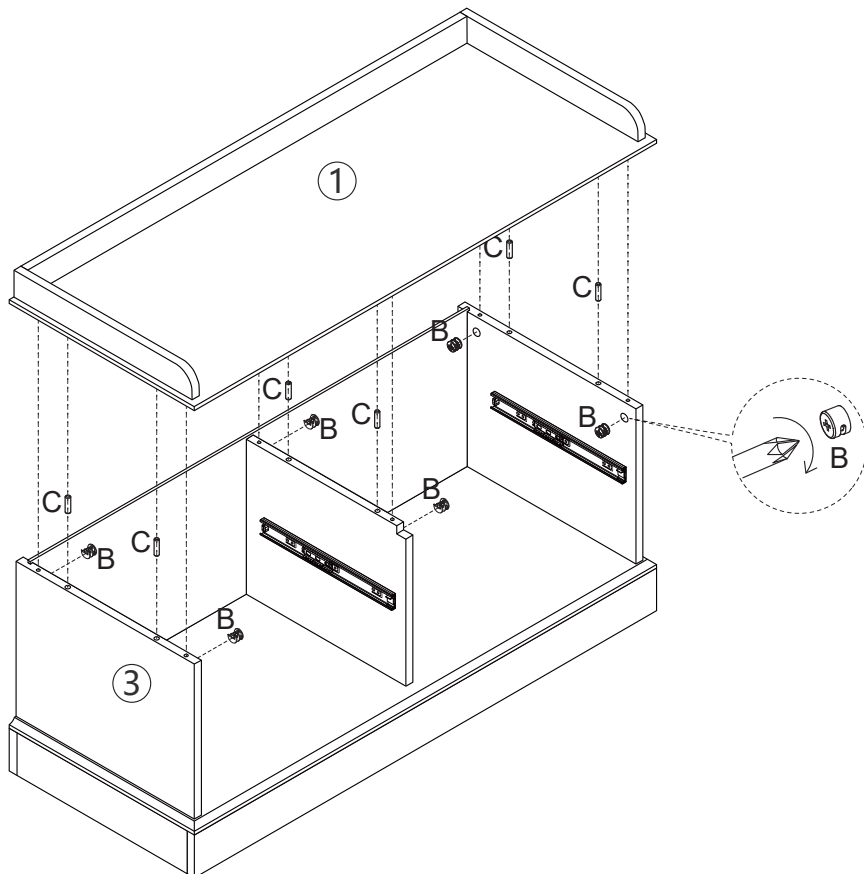


<p><b>C</b></p> 	<p><b>K</b></p> 
<p>Ø8*30mm Dowel 7pcs</p>	<p>M4*40mm Screw 8pcs</p>

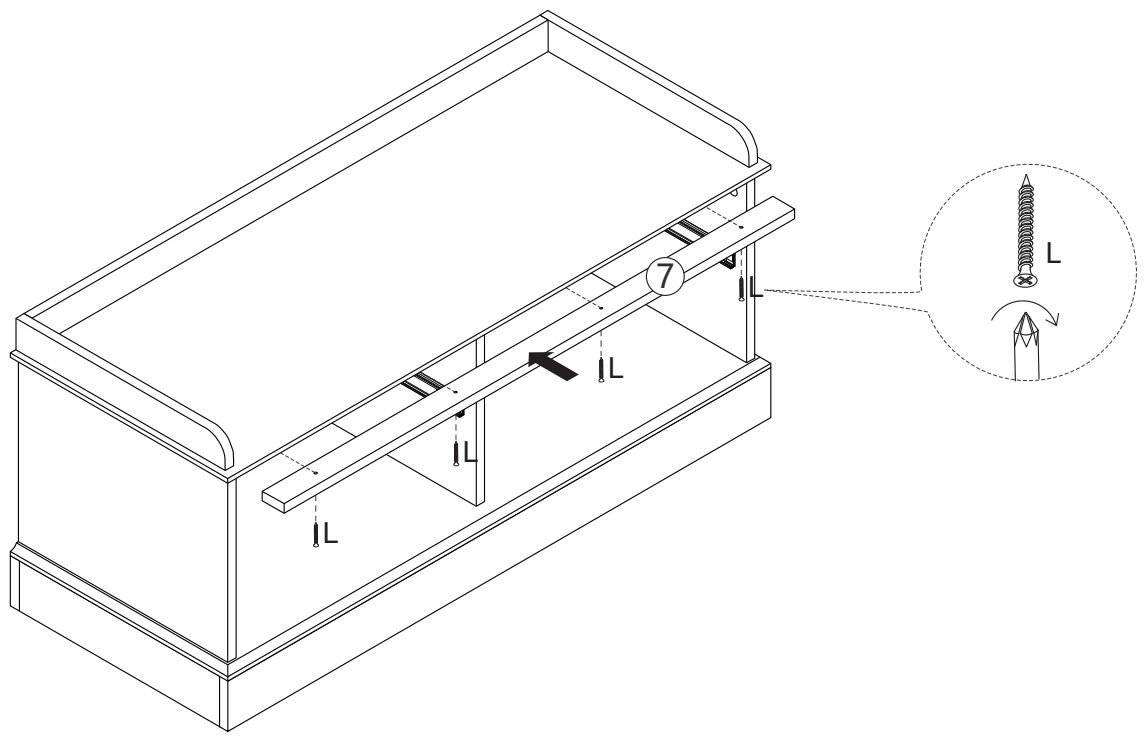
## 9. Attach parts to the top panel.

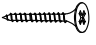


## 10. Attach the top panel to the frame.

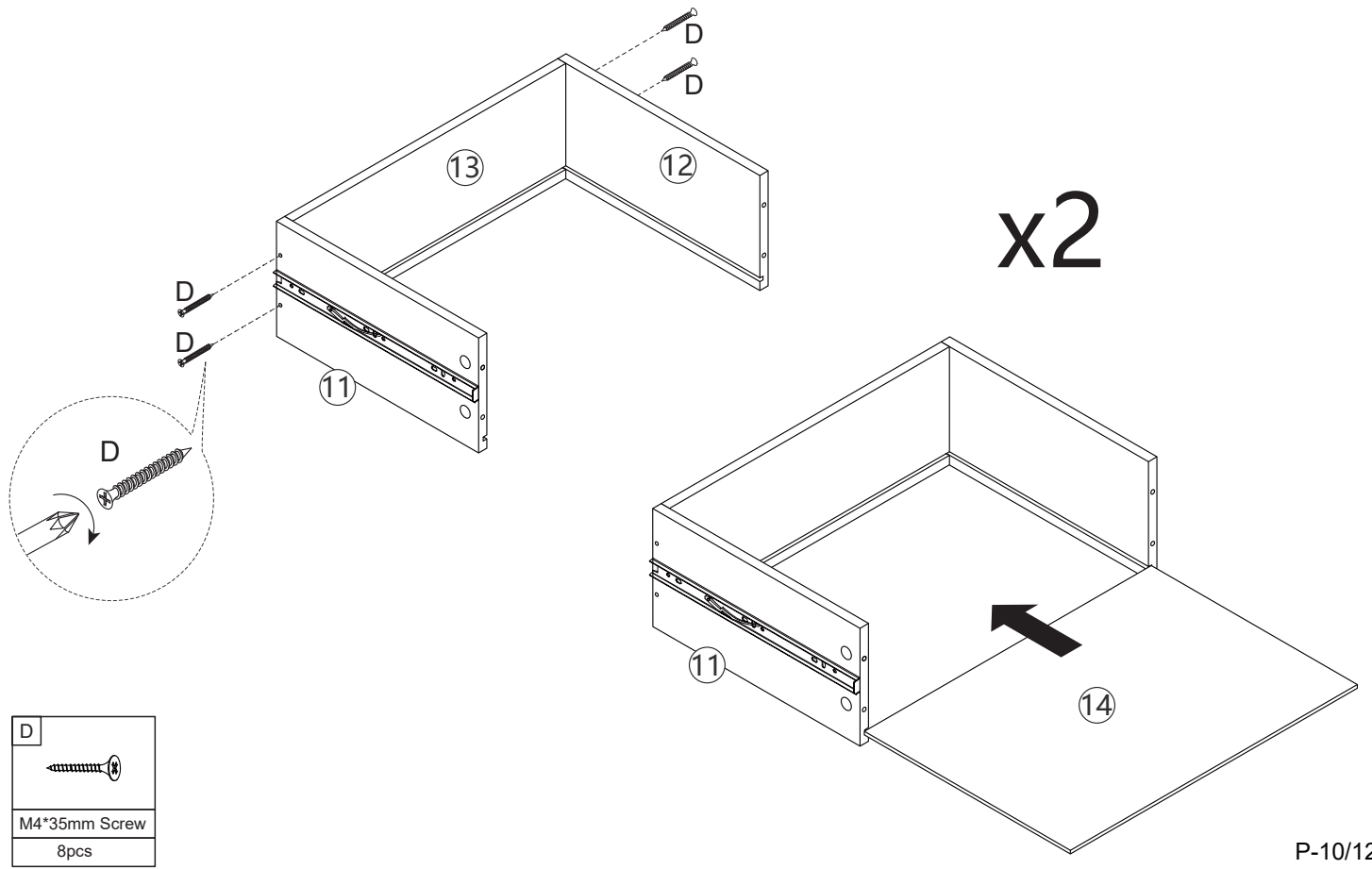


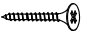
11. Assemble the panels of each part together according to the diagram.



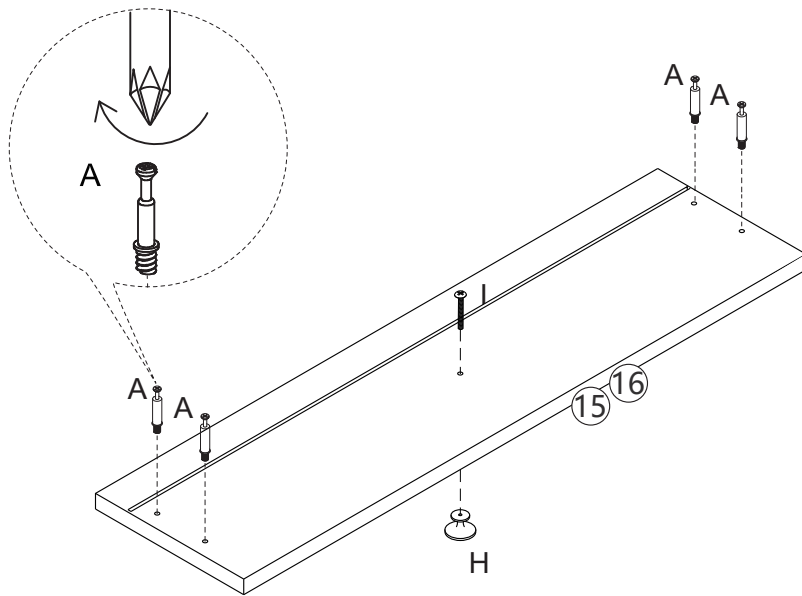
L

M4*22mm Screw
4pcs

12. Assemble the drawer by following the steps shown in the illustration below.



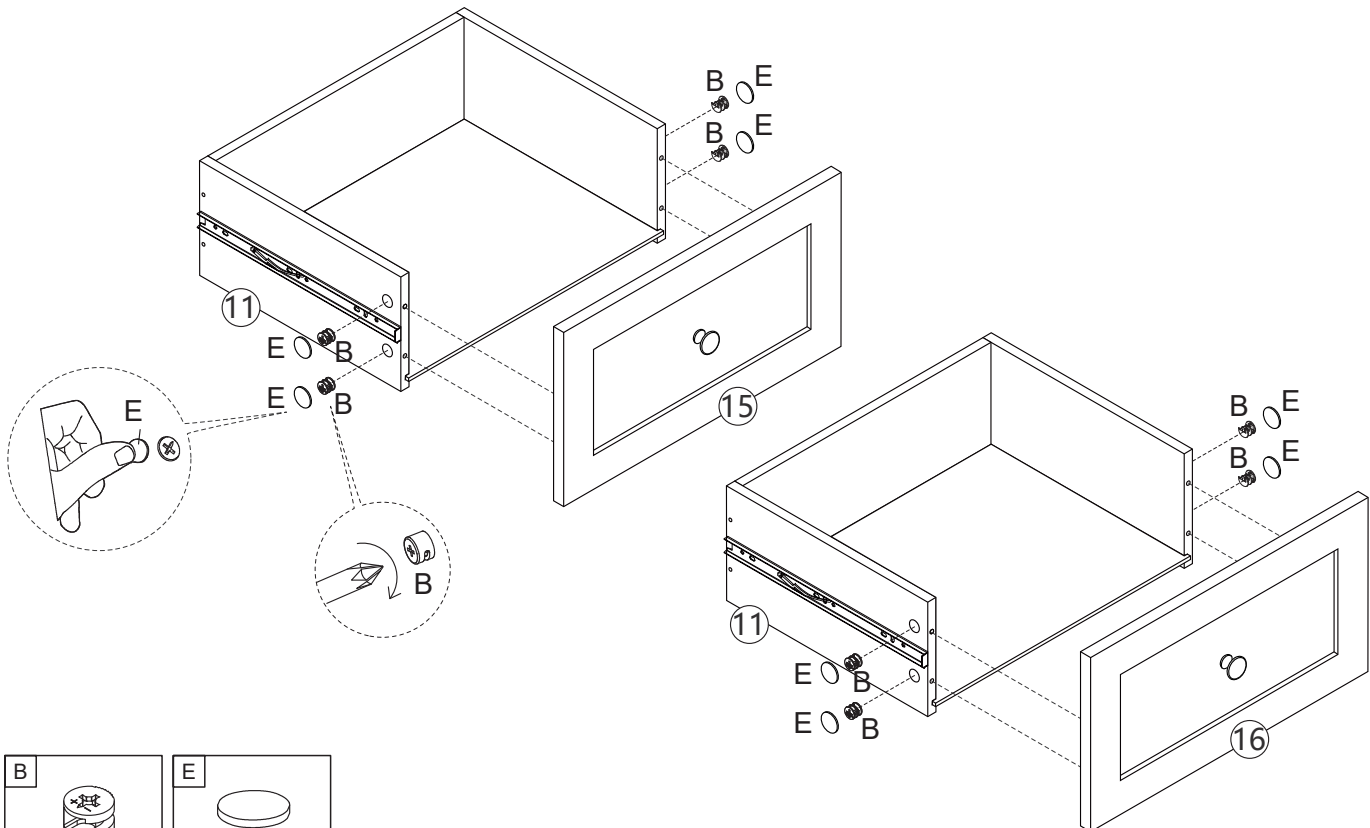
D

M4*35mm Screw
8pcs

### 13. Attach parts to the drawer panel.



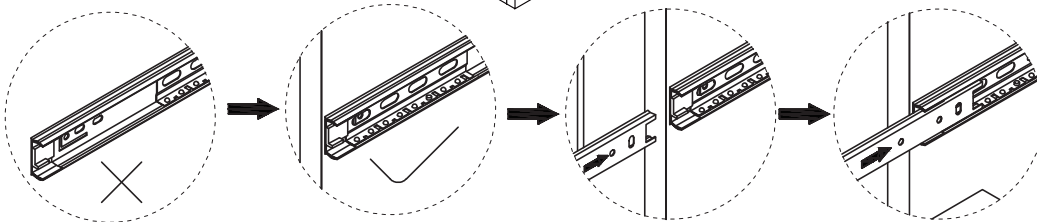
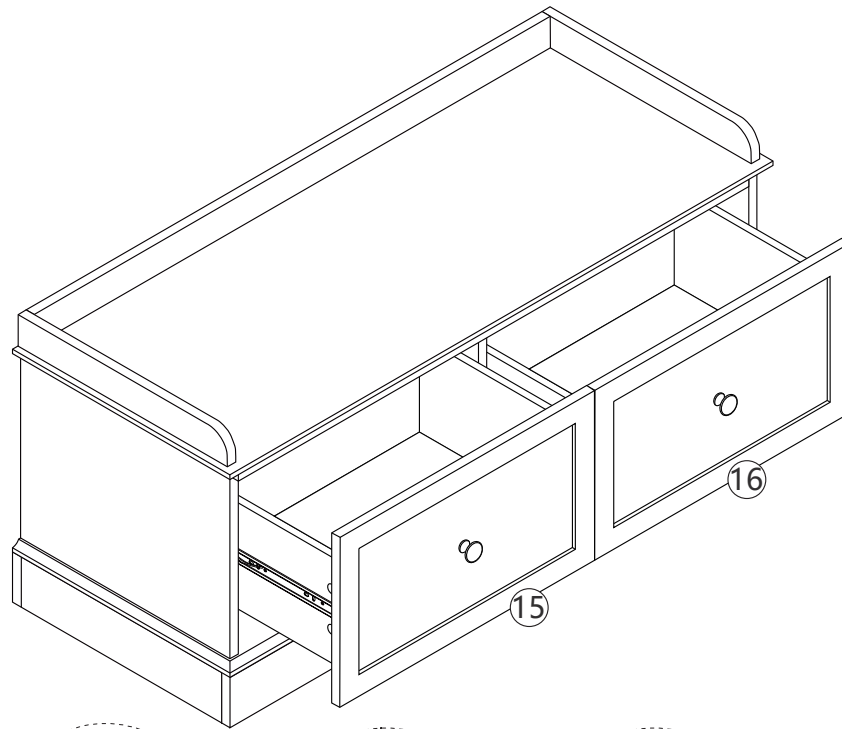
A	H	I
M5*35mm Cam Lock Screw 8pcs	Handle 2pcs	M4*14mm Bolt 2pcs

### 14. Assemble the drawer by following the steps shown in the illustration below.

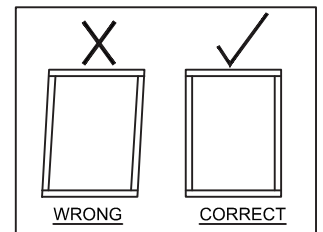
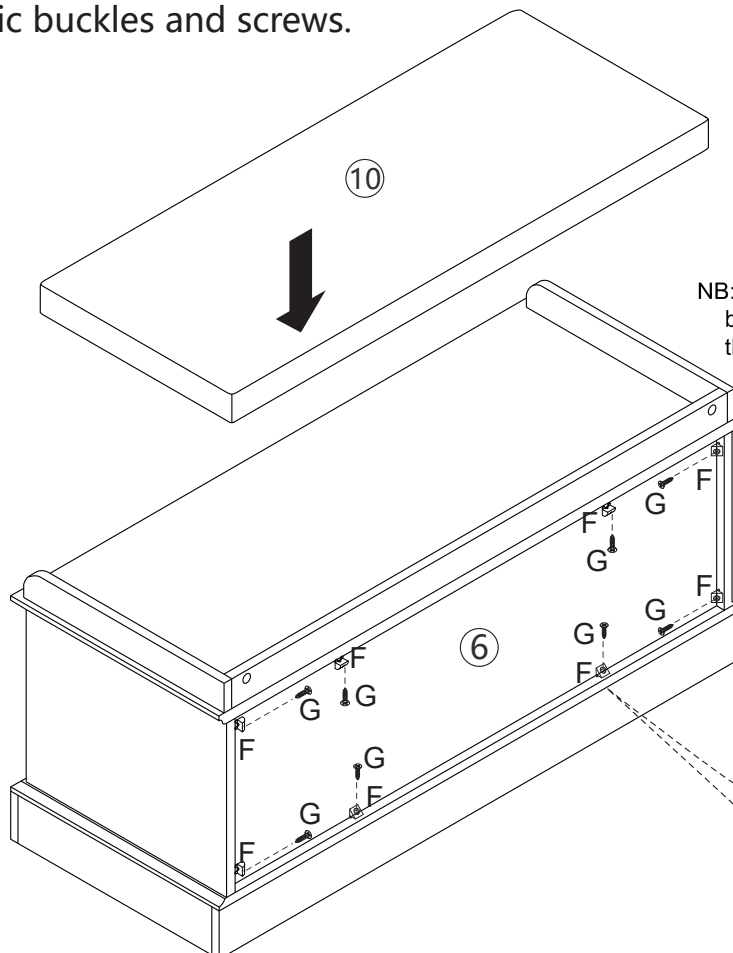


B	E
Ø15*10mm Cam Lock 8pcs	Cover 8pcs



## 15. Assemble drawer in the cabinet.



## 16. Attach the plastic buckles and screws.



NB: Before tightening the plastic buckles and screws, please ensure the frame is square

F	G
	
Plastic Buckle	M3*12mm Screw
8pcs	8pcs

