

DUSK.COM

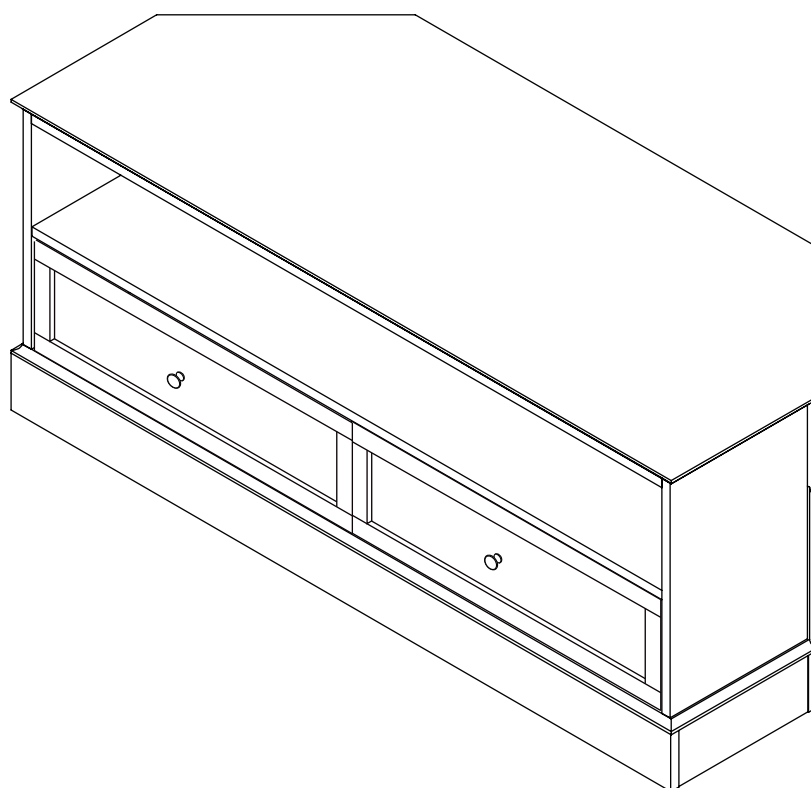
LIVING | BEDROOM | DINING

Range Name: New Ruby

Box1 Dimensions: W135xD59xH18 (cm)

Product Dimensions: W120xD50xH50 (cm)

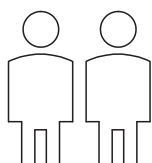
Corner TV unit



THIS INSTRUCTION BOOKLET CONTAINS IMPORTANT SAFETY INFORMATION.
PLEASE READ AND KEEP FOR FUTURE REFERENCE.



Up to 90 minutes
assembly time



Three person
assembly



Electric screwdriver
prohibited

This product is intended for domestic use only, not for commercial purposes.

V-1.0
P-1/16

IMPORTANT

ASSEMBLY TIP

Before you begin, it's best to identify all of the parts and fittings to build your Corner TV unit frame. We advise laying these out on the floor to check you have everything, and to familiarise yourself with all of the parts and fittings before building.

TOP TIP

We recommend that you assemble the bedside in the room you'd like it to be located. This will help prevent any risk of damage to the frame whilst moving it.

SAFETY AND CARE

1. It's important to ensure children and animals are kept away from the assembly area, as there are small components used in this product which could present a choking hazard. All plastic and wrapping materials should also be kept away from children and animals to prevent any risk of suffocation.
2. Do not stand on your product.
3. Always use the item on firm level ground, ensuring all legs remain in contact with the ground.
4. Place heaviest items in the lowest drawers.
5. Do not set TV or other heavy objects on top of the product.
6. Children should always be under supervision whilst using this product. Never allow children to climb on the drawers.
7. Never keep more than one drawer open at the same time.
8. In order to prevent overturning, this product must be used with the wall attachment device provided.
9. Serious or fatal crushing injuries can occur from tipping furniture.

HELP AND SUPPORT

Please contact our customer service team on 0113 519 0311 if you have any questions or issues with your purchase.

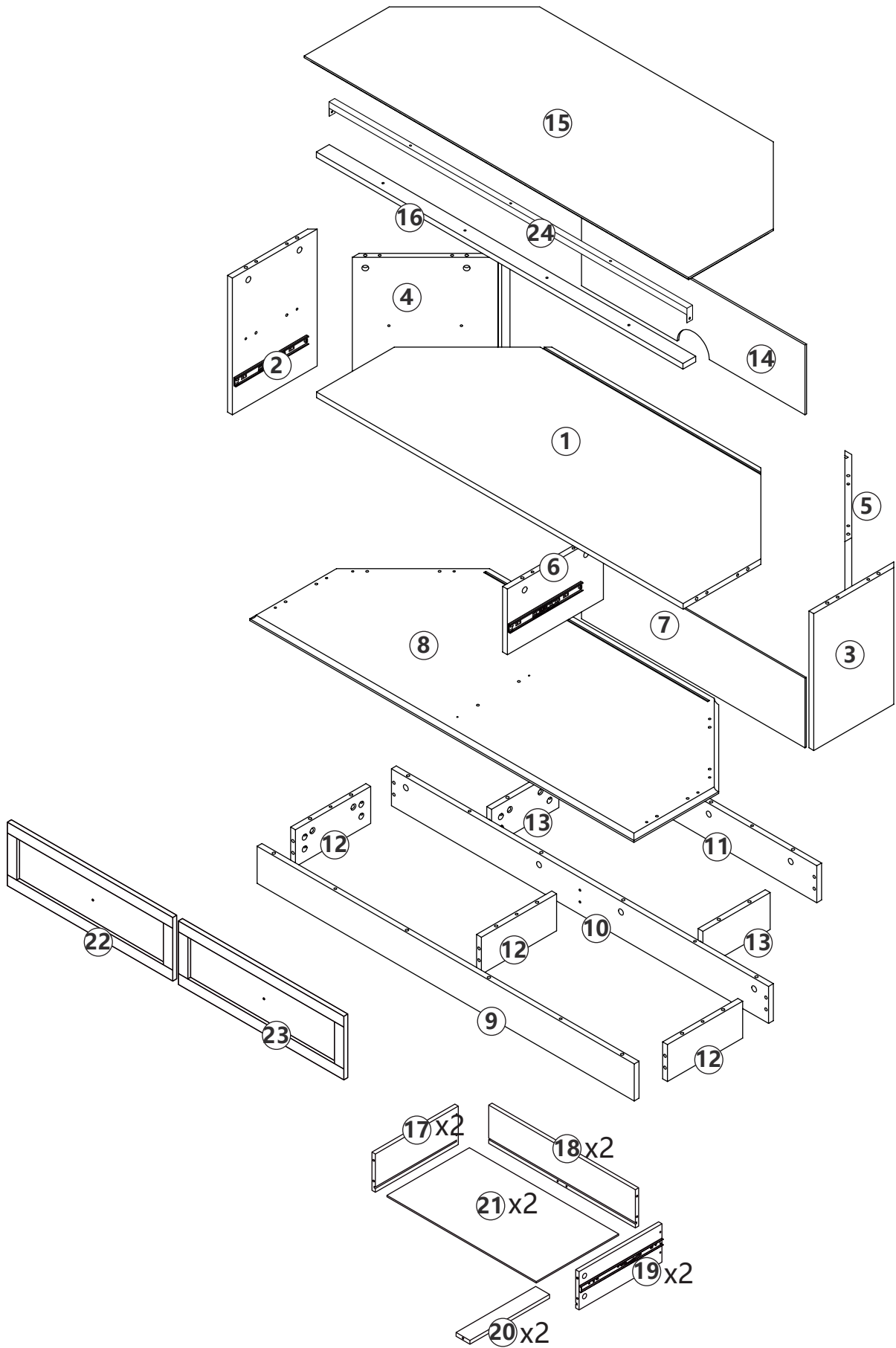
RECYCLING

Please ensure that packaging is disposed of in a safe and environmentally friendly way, and recycle where possible. Please keep your assembly instructions safe to refer back to in the future.

CARE AND MAINTENANCE

1. Only clean using a damp cloth, do not use bleach or abrasive cleaners as they may damage the finish over time.
2. Do not use a very wet cloth or allow any liquid to contact with the surface for a long period of time. Wipe any spillage immediately. Absorption can cause wood to warp or finishes to de-laminate.
3. Do not scrub or rub the surface when cleaning.
4. Do not drag the Corner TV unit when moving, lift it off the floor instead.
5. Use a placemat or a coaster when putting hot items (e.g. hot drinks and dishes) on the wood surface.
6. It is not recommended to place the item next to sources of heat such as radiators, fires or directly exposed to sunlight. This may cause the wood to crack, split or fade due to the heat and humidity.
7. Wood will mellow and change colour over time, we recommend that ornaments and items placed on the surface to be moved regularly to prevent uneven mellowing.
8. Regularly check all fixings to ensure none have come loose. Re-tighten if necessary.
9. Avoid sharp items such as a screwdriver or any pointy tools.

Parts list



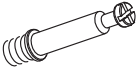


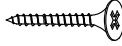




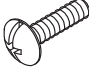
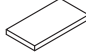

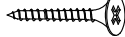
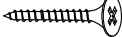
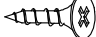
Parts list

Before you begin building your Corner TV unit , please take a moment to read through the instructions and make sure that you have all the relevant parts listed on the parts check list.



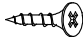
Part Number	Part Description	Quantity	Box No
1	Shelf Centre Panel	1 pc	Box1
2	Left Side Panel With Slide Pre-assembled	1 pc	Box1
3	Right Side Panel With Slide Pre-assembled	1 pc	Box1
4	Left Side Panel	1 pc	Box1
5	Right Side Panel	1 pc	Box1
6	Middle Panel With Slide Pre-assembled	1 pc	Box1
7	Back Panel	1 pc	Box1
8	Bottom Panel	1 pc	Box1
9	Leg Long Panel	1 pc	Box1
10	Leg Long Panel	1 pc	Box1
11	Leg Long Panel	1 pc	Box1
12	Leg Short Panel	3 pcs	Box1
13	Leg Short Panel	2 pcs	Box1
14	Back Panel	1 pc	Box1
15	Top Panel	1 pc	Box1
16	Top Support Bar	1 pc	Box1
17	Drawer Left Side With Slide Pre-assembled	2 pcs	Box1
18	Drawer Back Side	2 pcs	Box1
19	Drawer Right Side With Slide Pre-assembled	2 pcs	Box1
20	Drawer Bottom Support Bar	2 pcs	Box1
21	Drawer Bottom	2 pcs	Box1
22	Left Drawer Front	1 pc	Box1
23	Right Drawer Front	1 pc	Box1
24	Top Support Bar	1 pc	Box1

Fittings

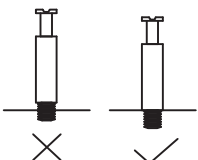
Please check you have all the fittings listed below with your product in Box1.

A 	B 	C 	D 	E 	F 
M5*35mm Cam Lock Screw 65pcs+4pcs extra	Ø15*10mm Cam Lock 65pcs+4pcs extra	Ø8*30mm Dowel 33pcs+4pc extra	M4*35mm Screw 12pcs+1pc extra	Cover 16pcs+2pcs extra	Plastic Buckle 8pcs+1pc extra
G 	H 	I 	J 	K 	L 
M3*12mm Screw 8pcs+1pc extra	Handle 2pcs	M4*14mm Bolt 2pcs	Mat 8pcs+1pc extra	M4*40mm Screw 14pcs+1pc extra	M4*22mm Screw 4pcs
M 	N 				
M4*30mm Screw 3pcs	M4*14mm Screw 2pcs				

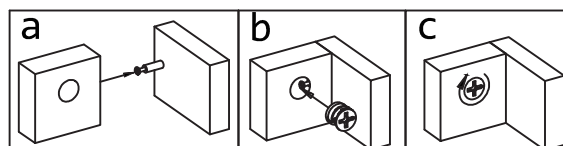
Pre- assembled Fitting

Y1 	Y2 	Z 
Slide 4pcs	Slide 4pcs	M3.5*12mm Screw 16pcs

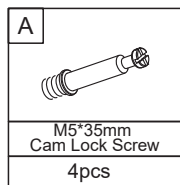
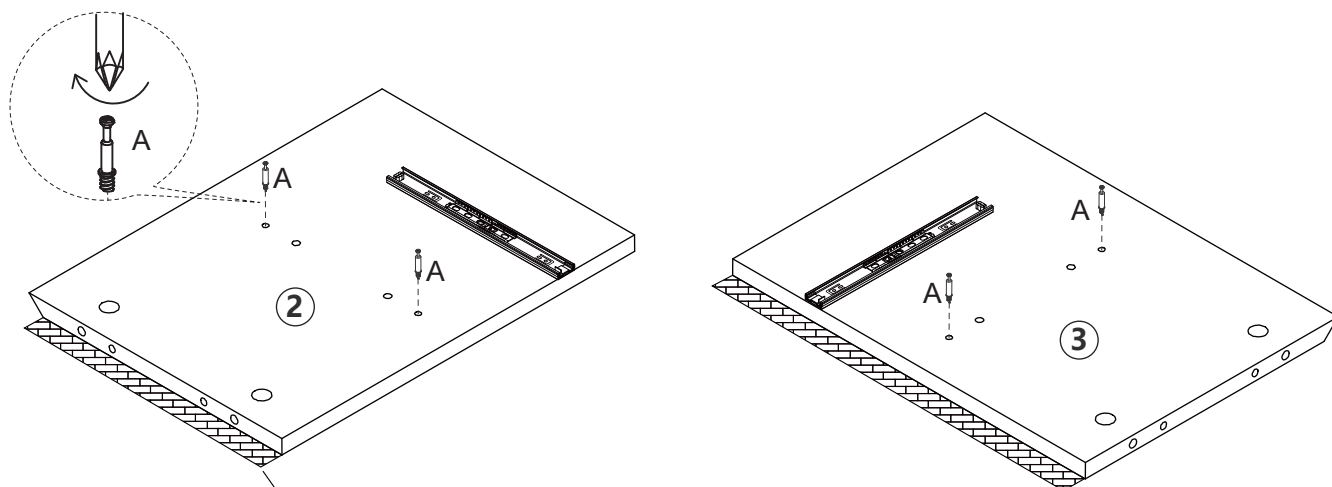
Ensure the cam lock screws are installed correctly, as indicated by the "check mark" below.



Refer to the illustration below to correctly use the cam lock screws for assembling the panels.

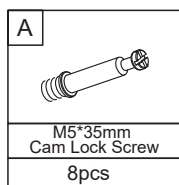
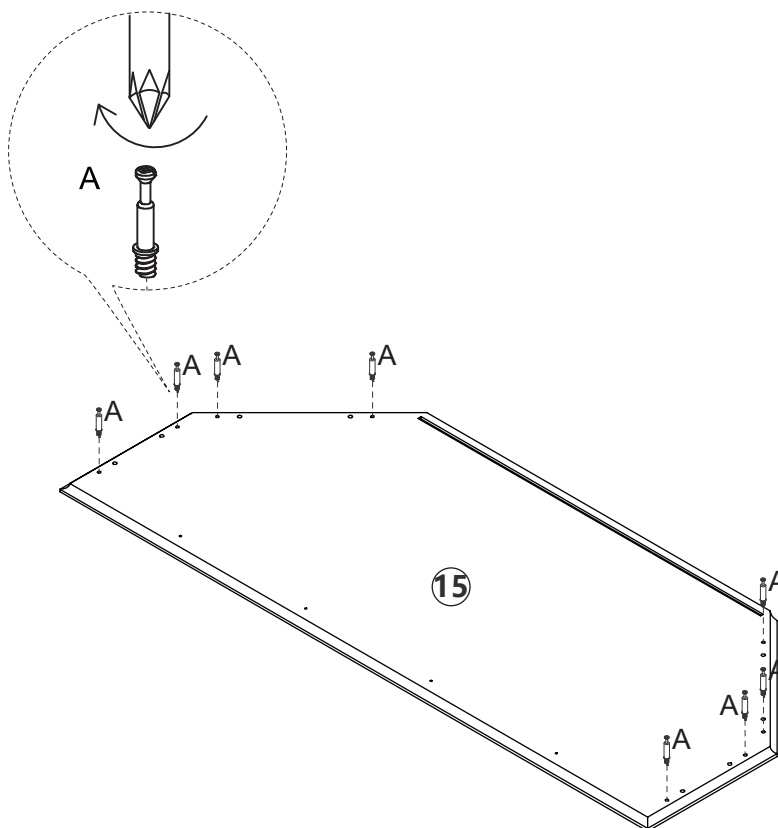


1. Attach parts to the side panel.

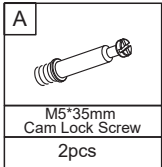
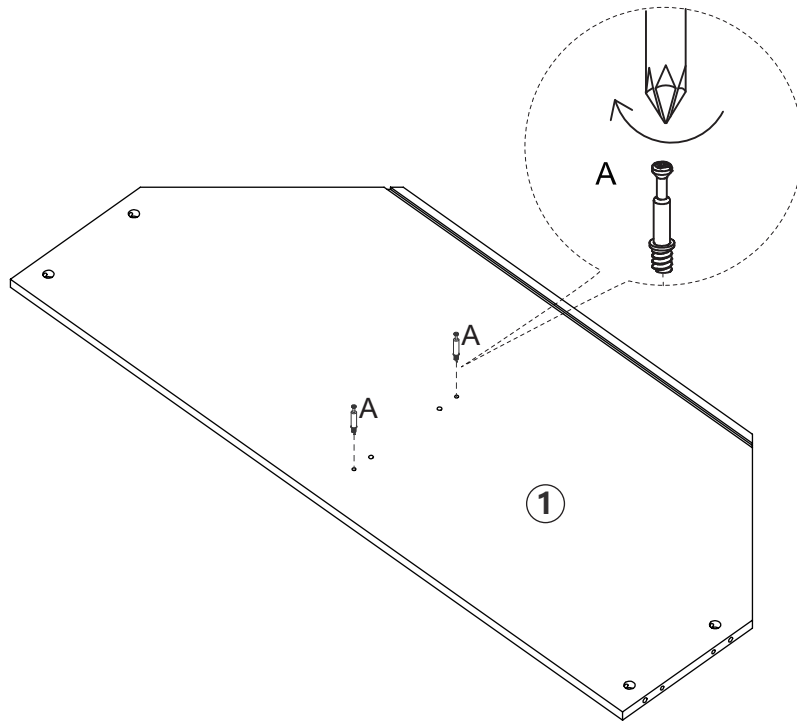


Put an EPS foam pad under the panels for surface scratch protection.

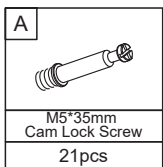
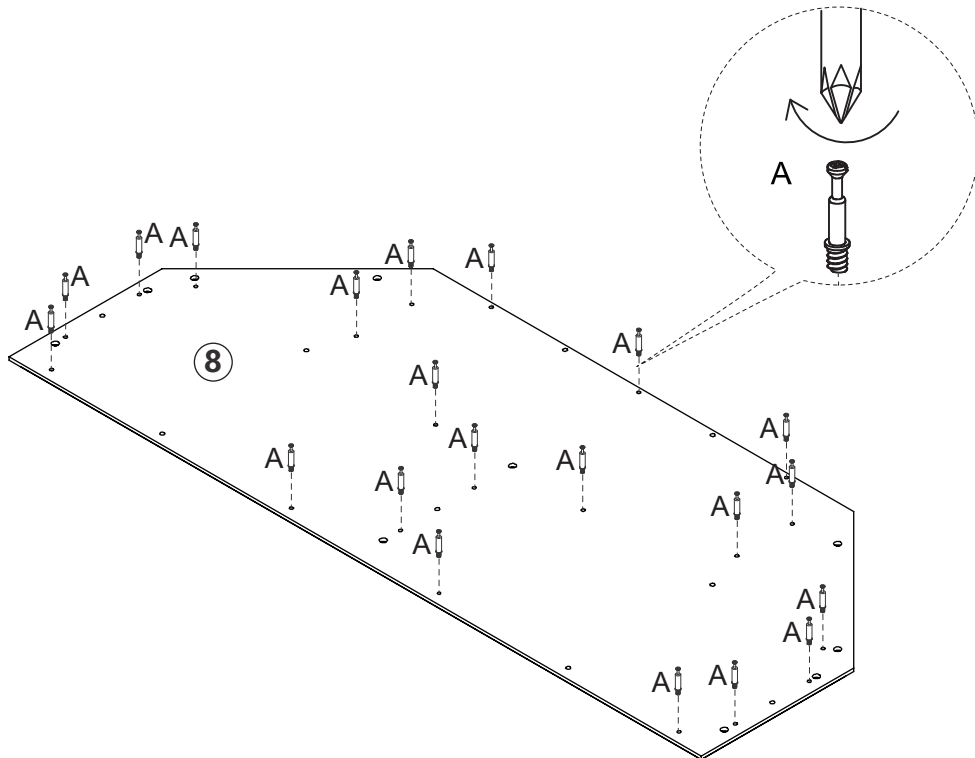
2. Attach parts to the top panel.



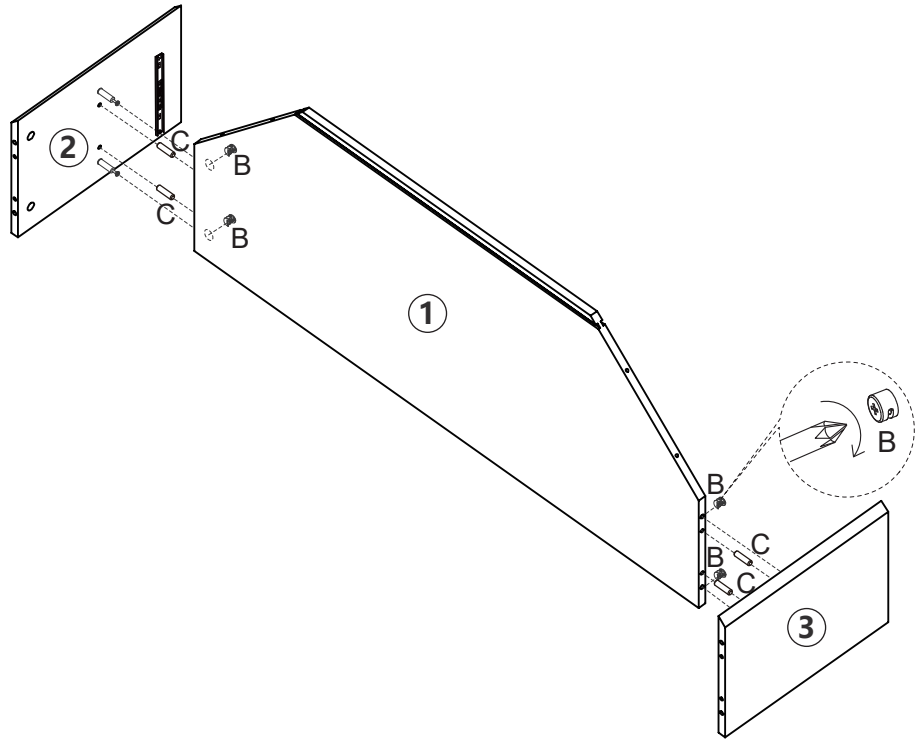
3. Attach parts to the centre panel.





4. Attach parts to the bottom panel.

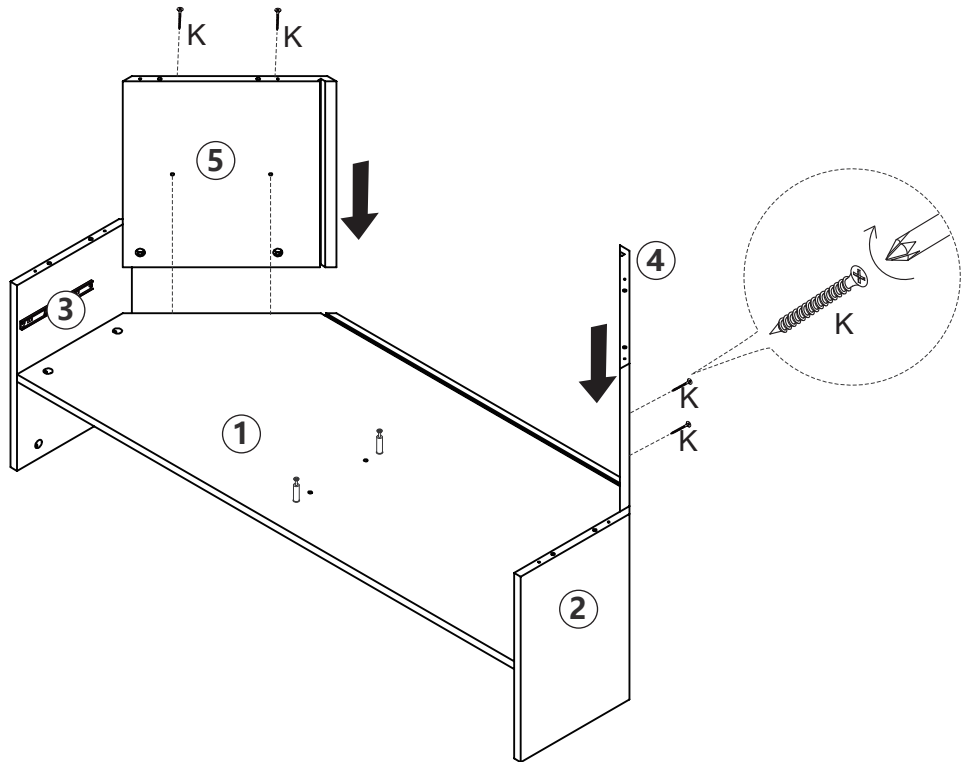



5. Assemble the panels of each part together according to the diagram.



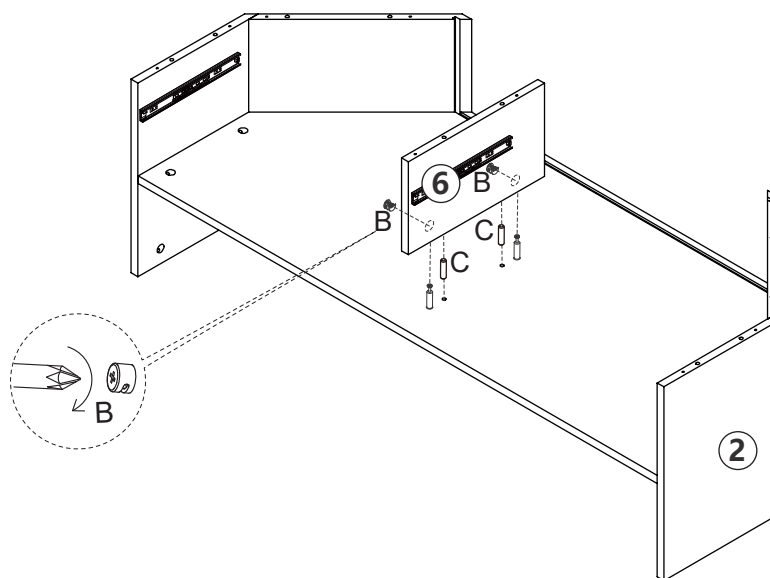
<p>B</p> 	<p>C</p> 
<p>Ø15*10mm Cam Lockk 4pcs</p>	<p>Ø8*30mm Dowel 4pcs</p>



6. Assemble the panels of each part together according to the diagram.



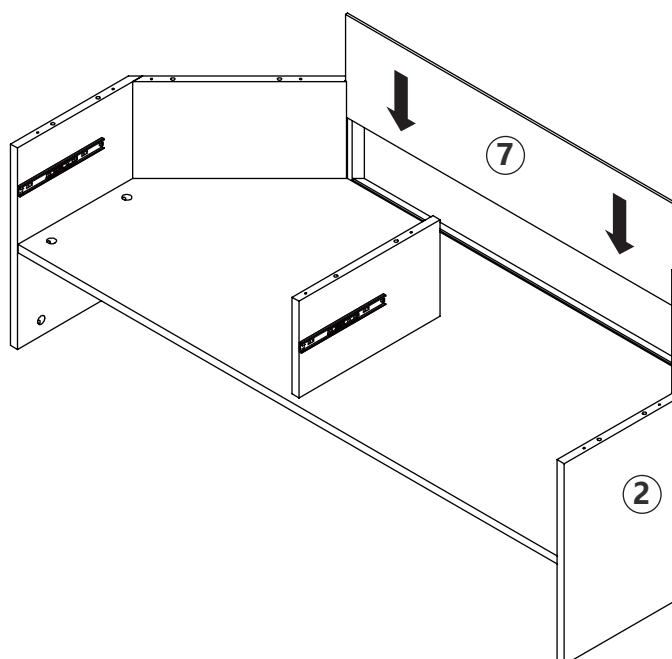
<p>K</p> 
<p>M4*40mm Screw 4pcs</p>

7. Assemble the panels of each part together according to the diagram.

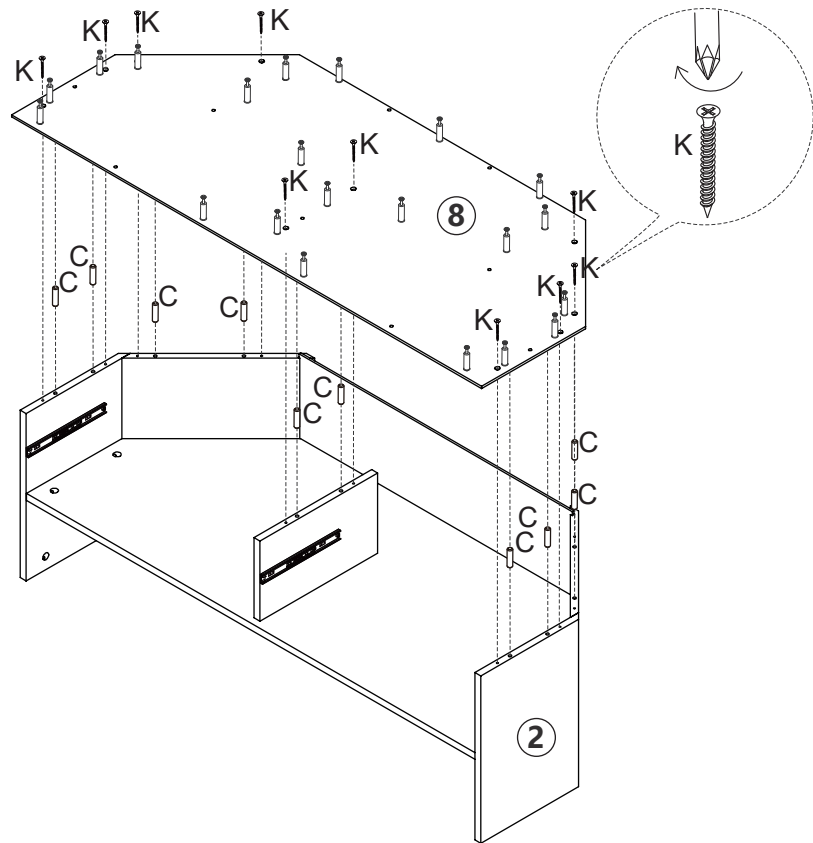




B	C
 Ø15*10mm Cam Lockk 2pcs	 Ø8*30mm Dowel 2pcs

8. Assemble back panel.

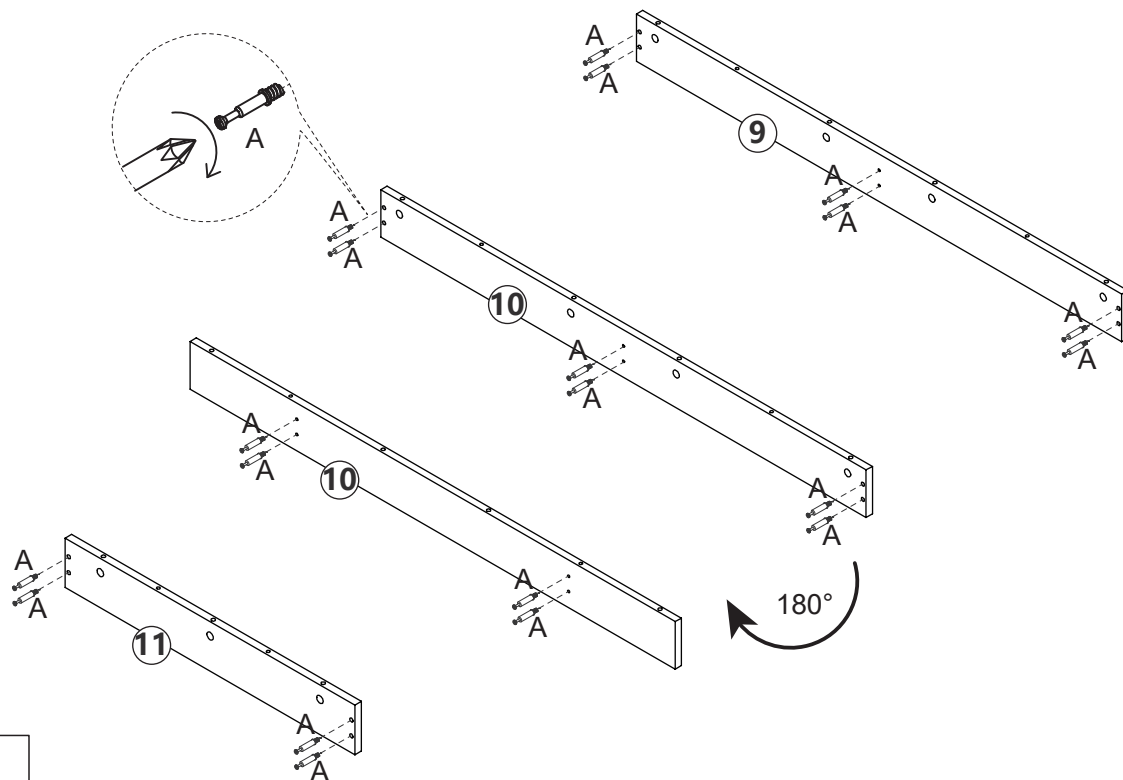


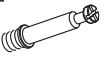
9. Attach panels to the bottom.



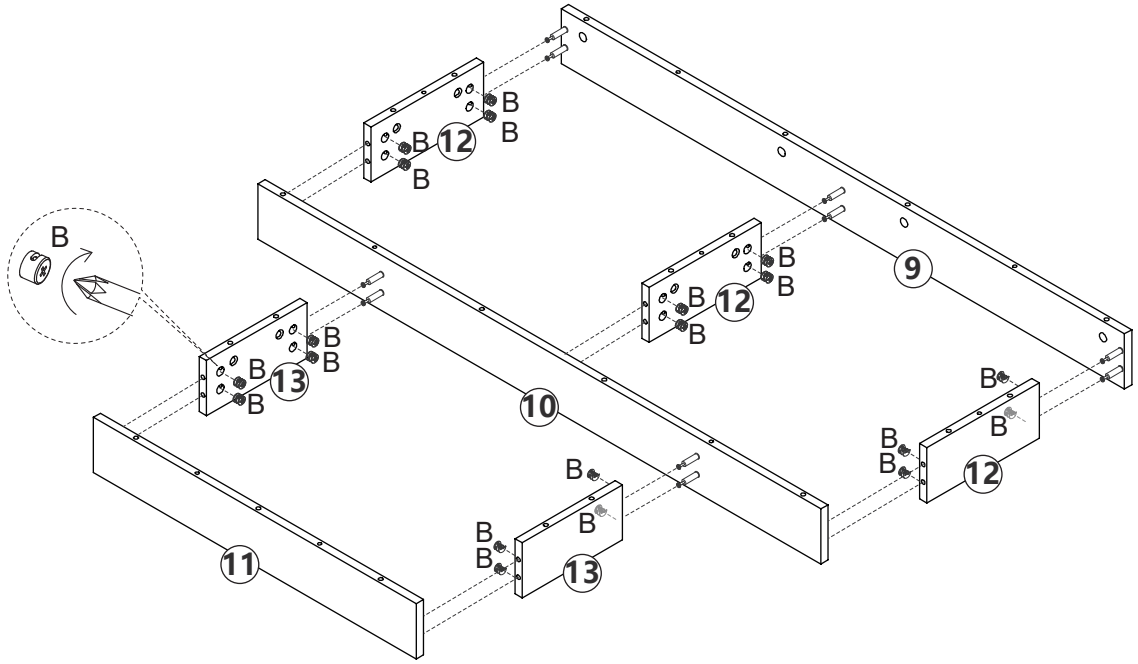
C		K	
Ø8*30mm Dowel		M4*40mm Screw	
10pcs		10pcs	


10. Attach parts to the leg panel.



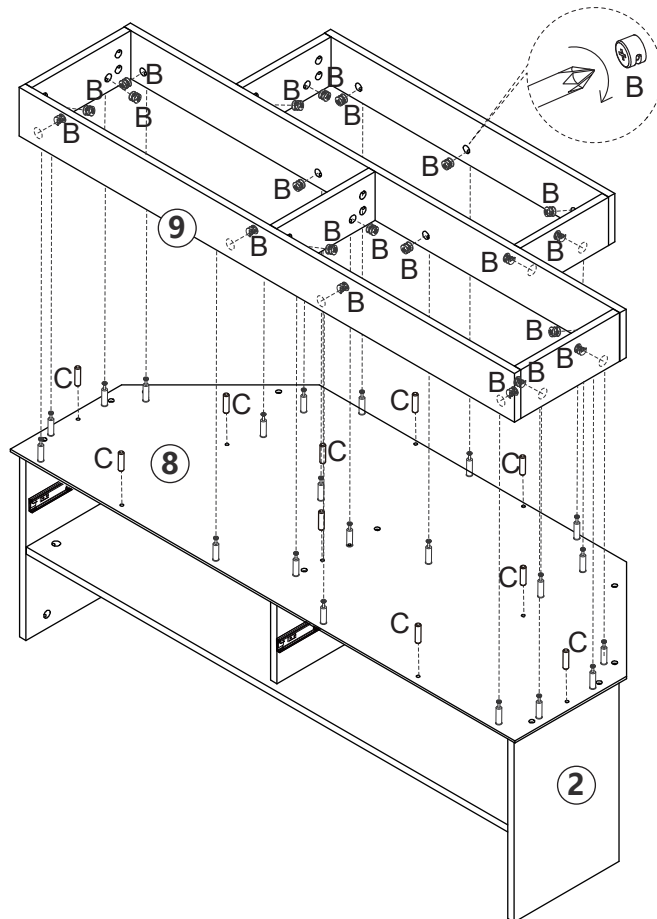
A	
M5*35mm Cam Lock Screw	
20pcs	



11. Assemble the panels of each part together according to the diagram.



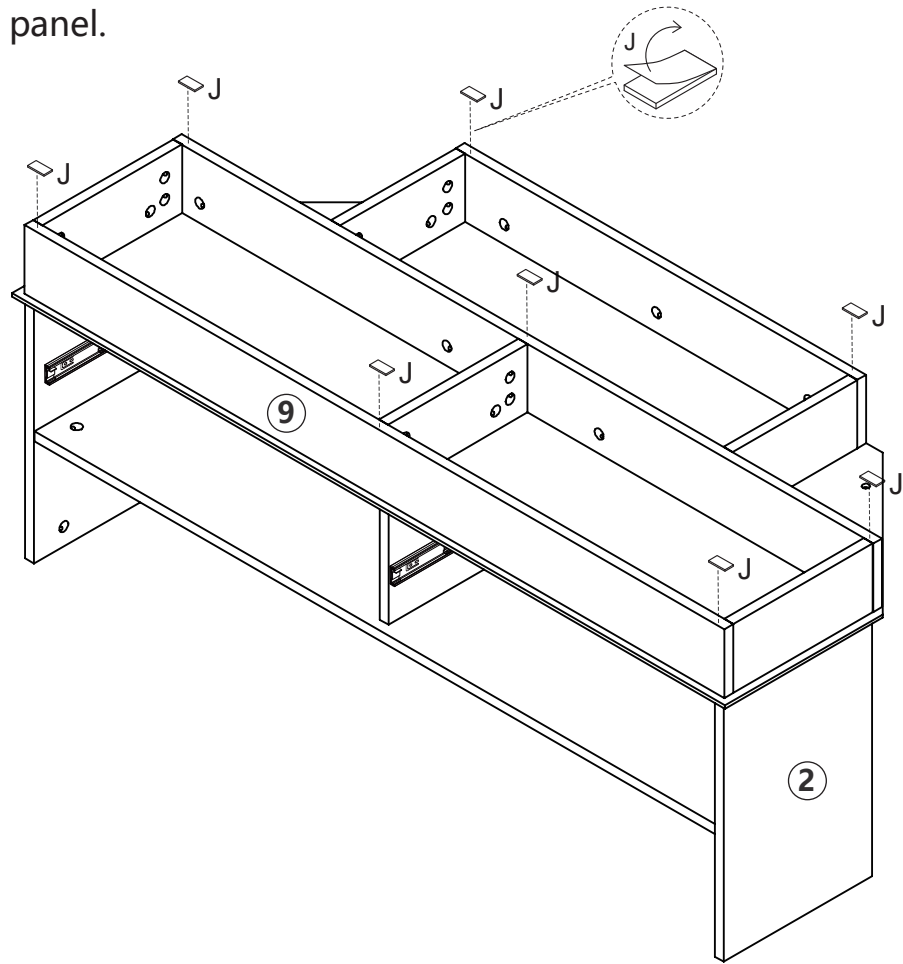
B	
Ø15*10mm Cam Lockk	
20pcs	

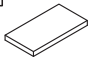
12. Attach legs to the bottom.



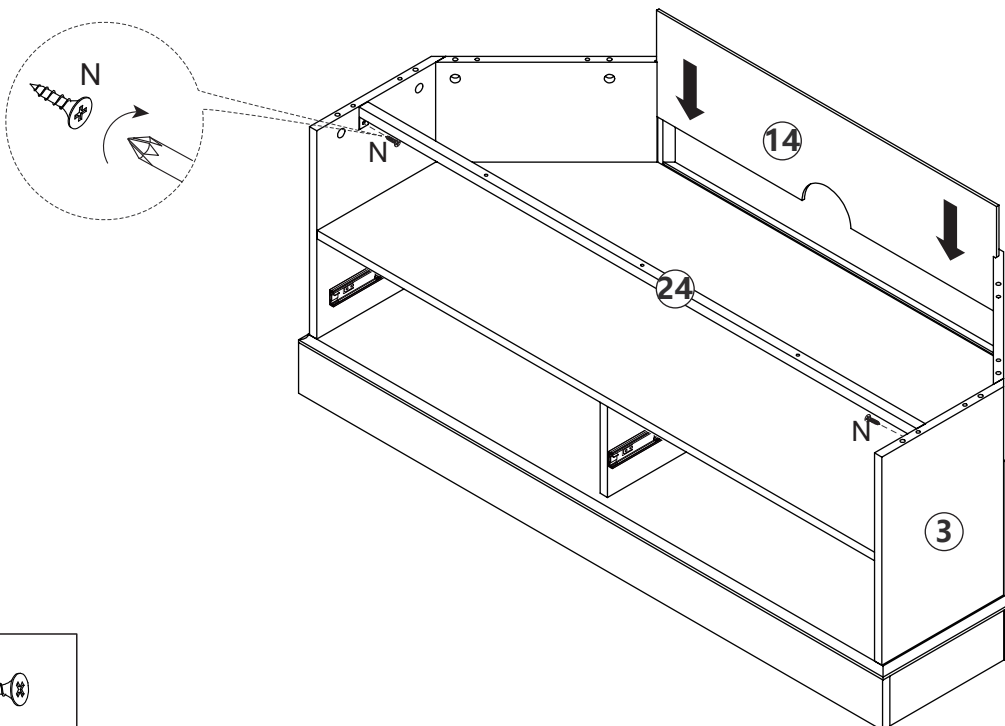
B		C	
Ø15*10mm Cam Lockk		Ø8*30mm Dowel	
21pcs		9pcs	

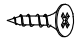
13. Attach mat to the panel.



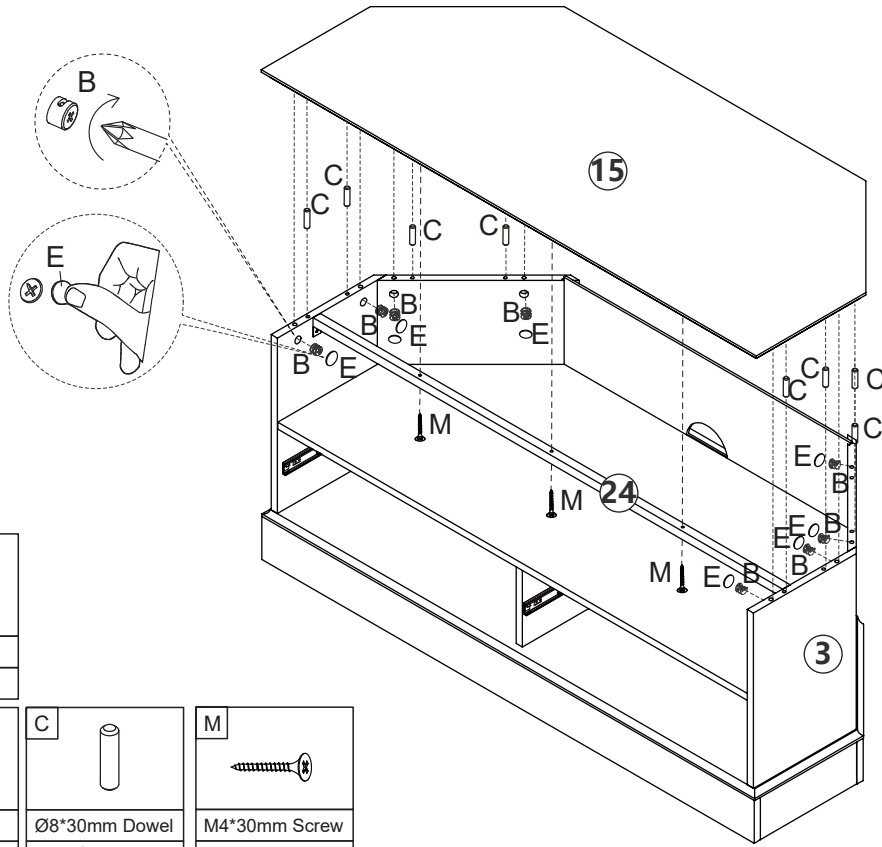
J

Mat
8pcs

14. Assemble the backboard and crossbar.

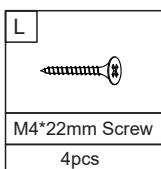
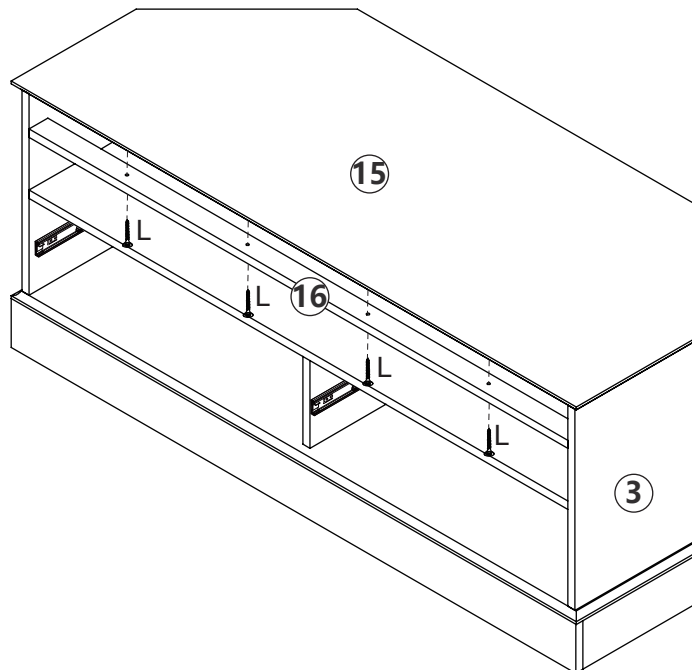


N

M4*14mm Screw
2pcs

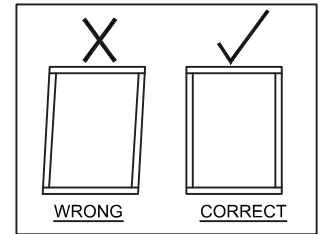
15. Attach the top panel to the frame.



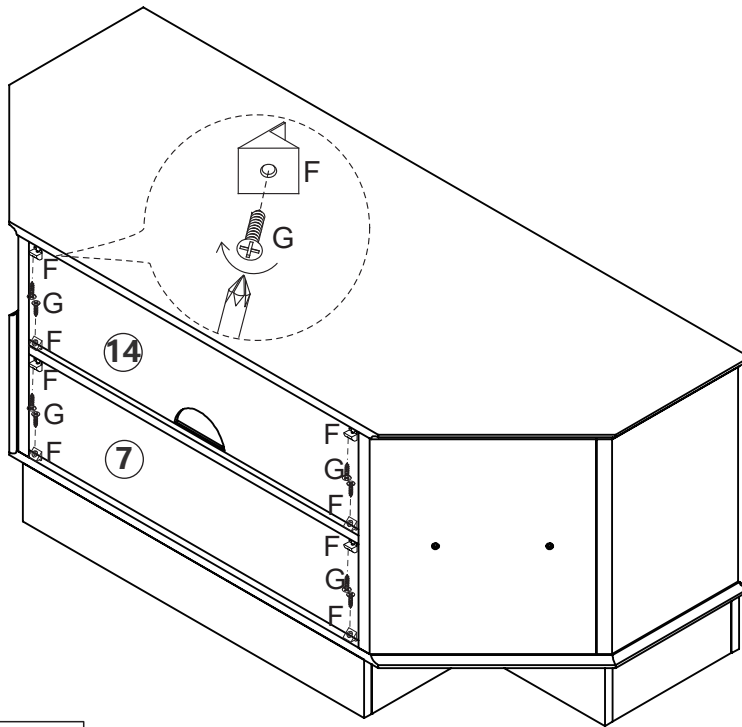
16. Assemble the panels of each part together according to the diagram.





17. Attach the plastic buckles and screws.

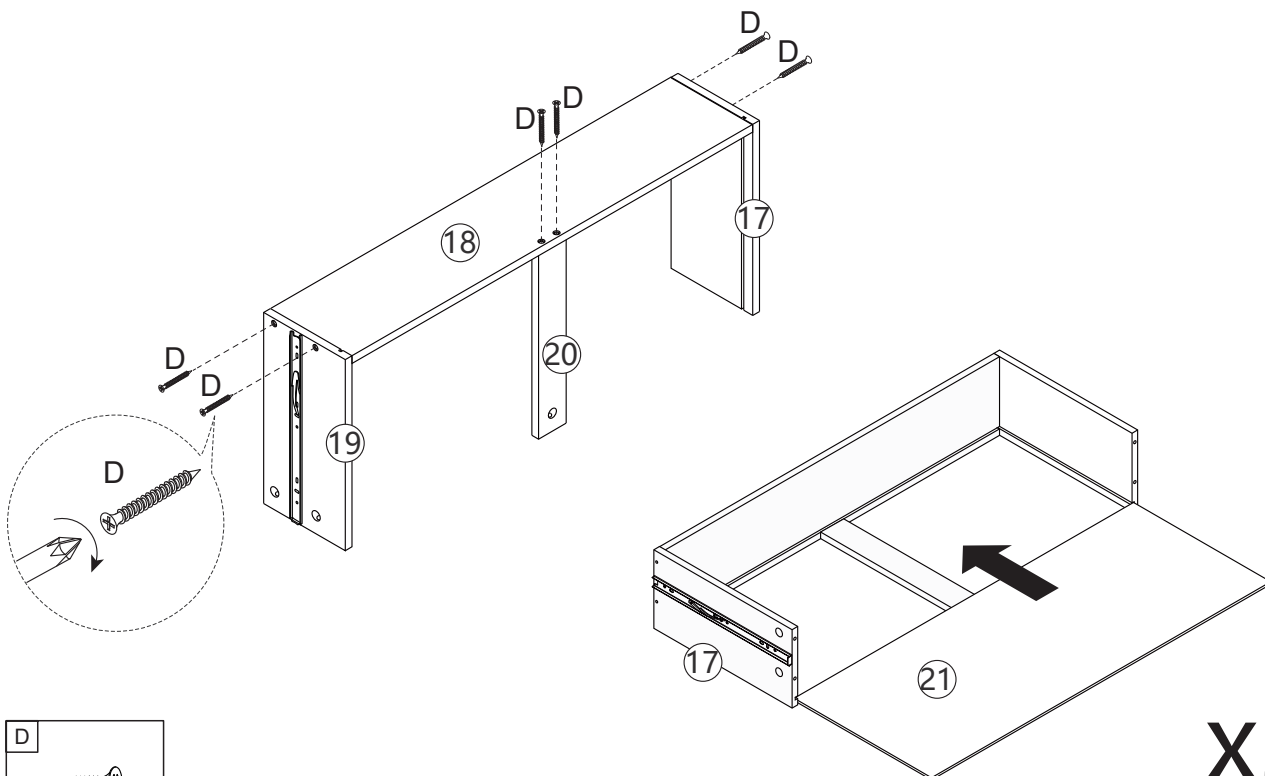


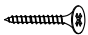
NB: Before tightening the plastic buckles and screws, please ensure the frame is square



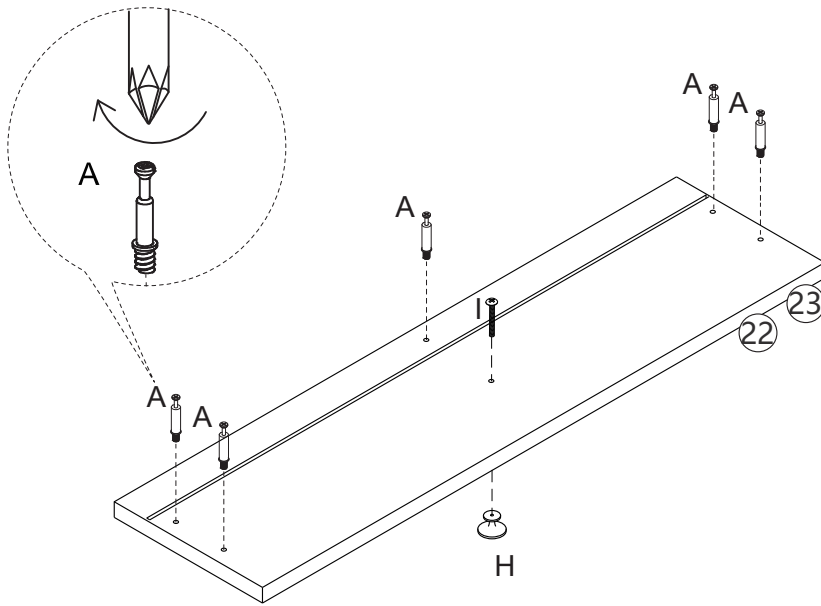
<p>F</p> 	<p>G</p> 
<p>Plastic Buckle 8pcs</p>	<p>M3*12mm Screw 8pcs</p>

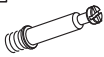


18. Assemble the drawer by following the steps shown in the illustration below.



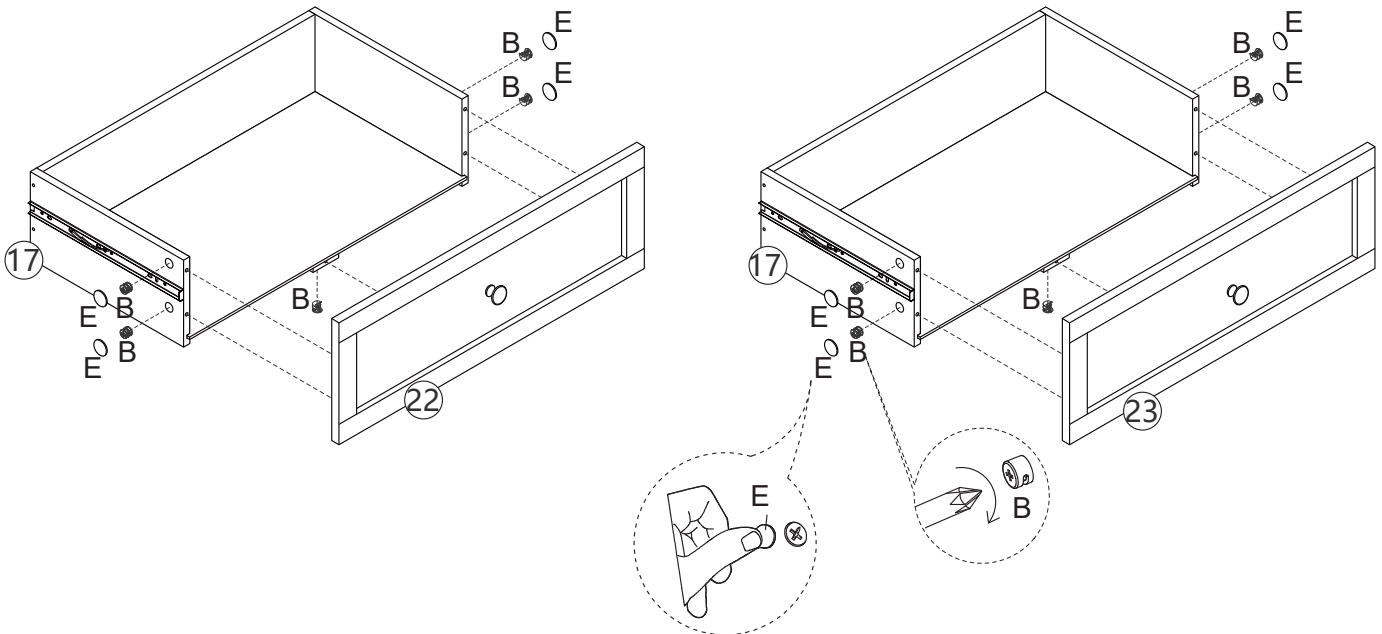
<p>D</p> 
<p>M4*35mm Screw 12pcs</p>



19. Attach parts to the drawer panel.



A 	H 	I 
M5*35mm Cam Lock Screw 10pcs	Handle 2pcs	M4*14mm Bolt 2pcs

20. Assemble the drawer by following the steps shown in the illustration below.



B 	E 
Ø15*10mm Cam Lock 10pcs	Cover 8pcs

21. Assemble drawer in the cabinet.

