

# DUSK.COM

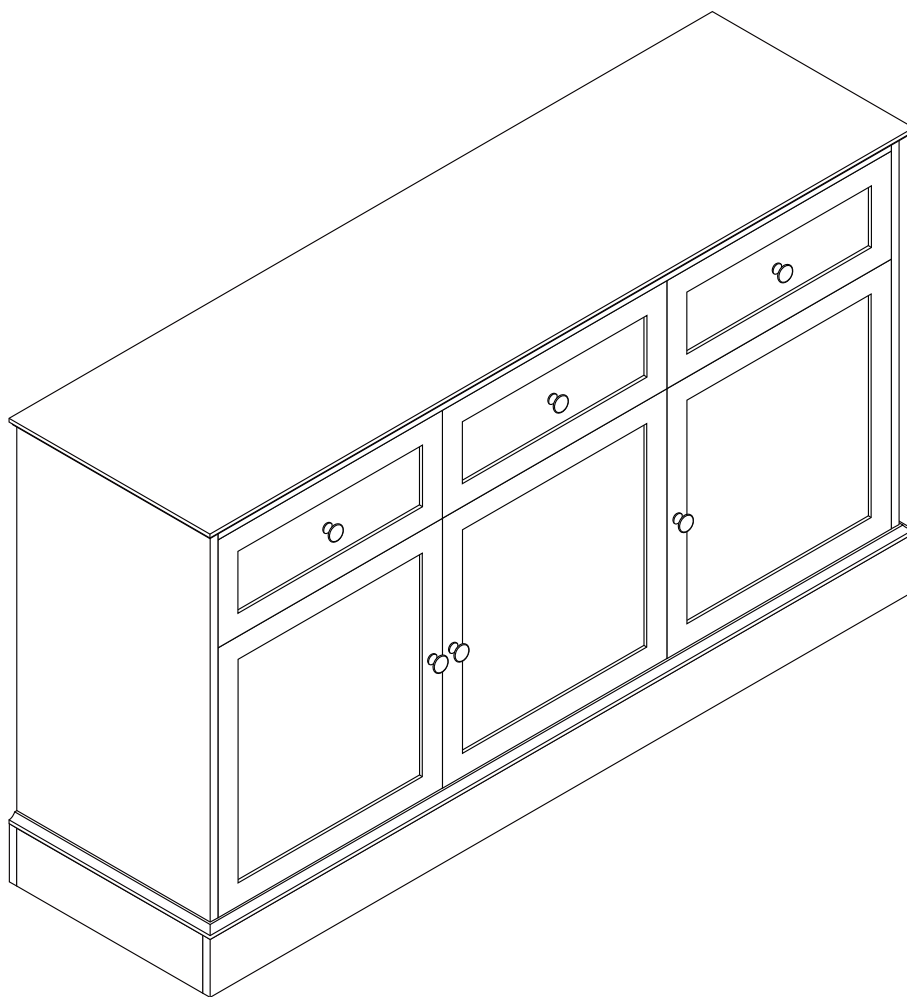
LIVING | BEDROOM | DINING

Range Name: New Ruby

Box1 Dimensions: W155xD54xH24 (cm)

Product Dimensions: W140xD40xH80 (cm)

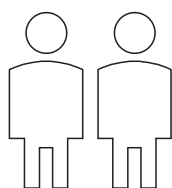
## 3 doors sideboard with drawers



THIS INSTRUCTION BOOKLET CONTAINS IMPORTANT SAFETY INFORMATION.  
PLEASE READ AND KEEP FOR FUTURE REFERENCE.



Up to 120 minutes  
assembly time



Two person  
assembly



Electric screwdriver  
prohibited

This product is intended for domestic use only, not for commercial purposes.

V-1.0  
P-1/14

# IMPORTANT

## ASSEMBLY TIP

Before you begin, it's best to identify all of the parts and fittings to build your 3 doors sideboard with drawers frame. We advise laying these out on the floor to check you have everything, and to familiarise yourself with all of the parts and fittings before building.

## TOP TIP

We recommend that you assemble the bedside in the room you'd like it to be located. This will help prevent any risk of damage to the frame whilst moving it.

## SAFETY AND CARE

1. It's important to ensure children and animals are kept away from the assembly area, as there are small components used in this product which could present a choking hazard. All plastic and wrapping materials should also be kept away from children and animals to prevent any risk of suffocation.
2. Do not stand on your product.
3. Always use the item on firm level ground, ensuring all legs remain in contact with the ground.
4. Place heaviest items in the lowest drawers.
5. Do not set TV or other heavy objects on top of the product.
6. Children should always be under supervision whilst using this product. Never allow children to climb on the drawers.
7. Never keep more than one drawer open at the same time.
8. In order to prevent overturning, this product must be used with the wall attachment device provided.
9. Serious or fatal crushing injuries can occur from tipping furniture.

## HELP AND SUPPORT

Please contact our customer service team on 0113 519 0311 if you have any questions or issues with your purchase.

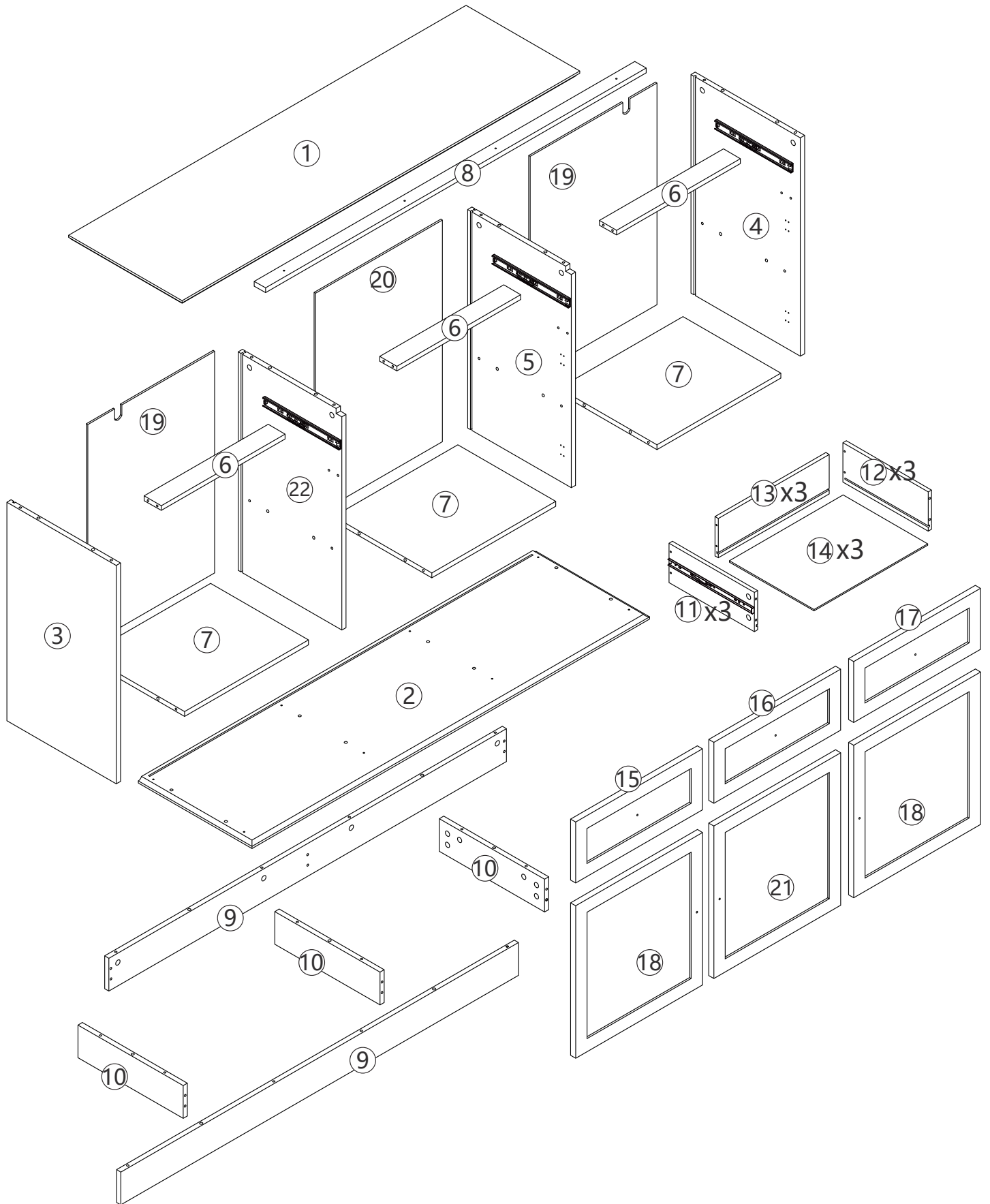
## RECYCLING

Please ensure that packaging is disposed of in a safe and environmentally friendly way, and recycle where possible. Please keep your assembly instructions safe to refer back to in the future.

## CARE AND MAINTENANCE

1. Only clean using a damp cloth, do not use bleach or abrasive cleaners as they may damage the finish over time.
2. Do not use a very wet cloth or allow any liquid to contact with the surface for a long period of time. Wipe any spillage immediately. Absorption can cause wood to warp or finishes to de-laminate.
3. Do not scrub or rub the surface when cleaning.
4. Do not drag the 3 doors sideboard with drawers when moving, lift it off the floor instead.
5. Use a placemat or a coaster when putting hot items (e.g. hot drinks and dishes) on the wood surface.
6. It is not recommended to place the item next to sources of heat such as radiators, fires or directly exposed to sunlight. This may cause the wood to crack, split or fade due to the heat and humidity.
7. Wood will mellow and change colour over time, we recommend that ornaments and items placed on the surface to be moved regularly to prevent uneven mellowing.
8. Regularly check all fixings to ensure none have come loose. Re-tighten if necessary.
9. Avoid sharp items such as a screwdriver or any pointy tools.

# Parts list



# Parts list

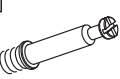


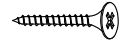





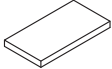
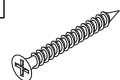



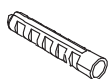
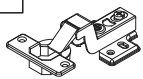
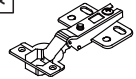
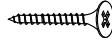


Before you begin building your 3 doors sideboard with drawers, please take a moment to read through the instructions and make sure that you have all the relevant parts listed on the parts check list.

| Part Number | Part Description                           | Quantity | Box No |
|-------------|--|----------|--------|
| 1           | Top Panel                                  | 1 pc     | Box1   |
| 2           | Bottom Panel                               | 1 pc     | Box1   |
| 3           | Left Side Panel With Slide Pre-assembled   | 1 pc     | Box1   |
| 4           | Right Side Panel With Slide Pre-assembled  | 1 pc     | Box1   |
| 5           | Right Middle Panel Slide Pre-assembled     | 1 pc     | Box1   |
| 6           | Top Support Bar                            | 3 pcs    | Box1   |
| 7           | Shelf Centre Panel                         | 3 pcs    | Box1   |
| 8           | Top Support Bar                            | 1 pc     | Box1   |
| 9           | Leg Long Panel                             | 2 pcs    | Box1   |
| 10          | Leg Short Panel                            | 3 pcs    | Box1   |
| 11          | Drawer Left Side With Slide Pre-assembled  | 3 pcs    | Box1   |
| 12          | Drawer Right Side With Slide Pre-assembled | 3 pcs    | Box1   |
| 13          | Drawer Back Side                           | 3 pcs    | Box1   |



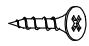
| Part Number | Part Description                           | Quantity | Box No |
|-------------|--|----------|--------|
| 14          | Drawer Bottom                              | 3 pcs    | Box1   |
| 15          | Left Drawer Front                          | 1 pc     | Box1   |
| 16          | Middle Drawer Front                        | 1 pc     | Box1   |
| 17          | Right Drawer Front                         | 1 pc     | Box1   |
| 18          | Door Panel                                 | 2 pcs    | Box1   |
| 19          | Back Panel                                 | 2 pcs    | Box1   |
| 20          | Back Panel                                 | 1 pc     | Box1   |
| 21          | Middle Door Panel                          | 1 pc     | Box1   |
| 22          | Left Middle Panel With Slide Pre-assembled | 1 pc     | Box1   |
|             |  |          |        |
|             |  |          |        |
|             |  |          |        |

## Fittings

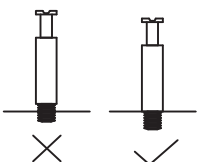
Please check you have all the fittings listed below with your product in Box1.

|   |  |  |   |   |   |   |
|---|--|--|---|---|---|---|
| <b>A</b><br><br>M5*35mm Cam Lock Screw<br>70pcs+4pcs extra | <b>B</b><br><br>Ø15*10mm Cam Lock<br>70pcs+4pcs extra | <b>C</b><br><br>Ø8*30mm Dowel<br>27pcs+3pcs extra | <b>D</b><br><br>M4*35mm Screw<br>12pcs+1pc extra | <b>E</b><br><br>Cover<br>12pcs+1pc extra          | <b>F</b><br><br>Plastic Buckle<br>18pcs+1 pc extra | <b>G</b><br><br>M3*12mm Screw<br>18pcs+1pc extra |
| <b>H</b><br><br>Handle<br>6pcs                             | <b>I</b><br><br>M4*14mm Bolt<br>3pcs                  | <b>J</b><br><br>Mat<br>10pcs+1pc extra            | <b>K</b><br><br>M4*40mm Screw<br>10pcs+1pc extra | <b>L</b><br><br>M4*14mm Screw<br>36pcs+4pcs extra | <b>M</b><br><br>Wall Bracket<br>2pcs               | <b>N</b><br><br>M4*12mm Screw<br>2pcs            |
| <b>O</b><br><br>M8*40mm Wall Anchor<br>2pcs                | <b>P</b><br><br>Hinge<br>4pcs                         | <b>Q</b><br><br>Hinge<br>2pcs                     | <b>R</b><br><br>M4*25mm Screw<br>4pcs            | <b>S</b><br><br>Ø8*50mm Dowel<br>4pcs             | <b>T</b><br><br>M4*20mm Bolt<br>3pcs               |   |

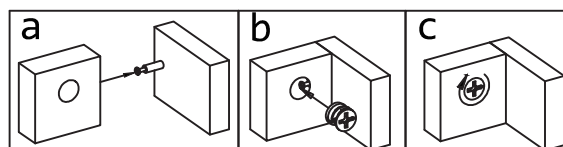
## Pre- assembled Fitting

|  |   |   |
|--|---|---|
| <b>Y1</b><br><br>Slide<br>6pcs | <b>Y2</b><br><br>Slide<br>6pcs | <b>Z</b><br><br>M3.5*12mm Screw<br>36pcs |
|--|---|---|

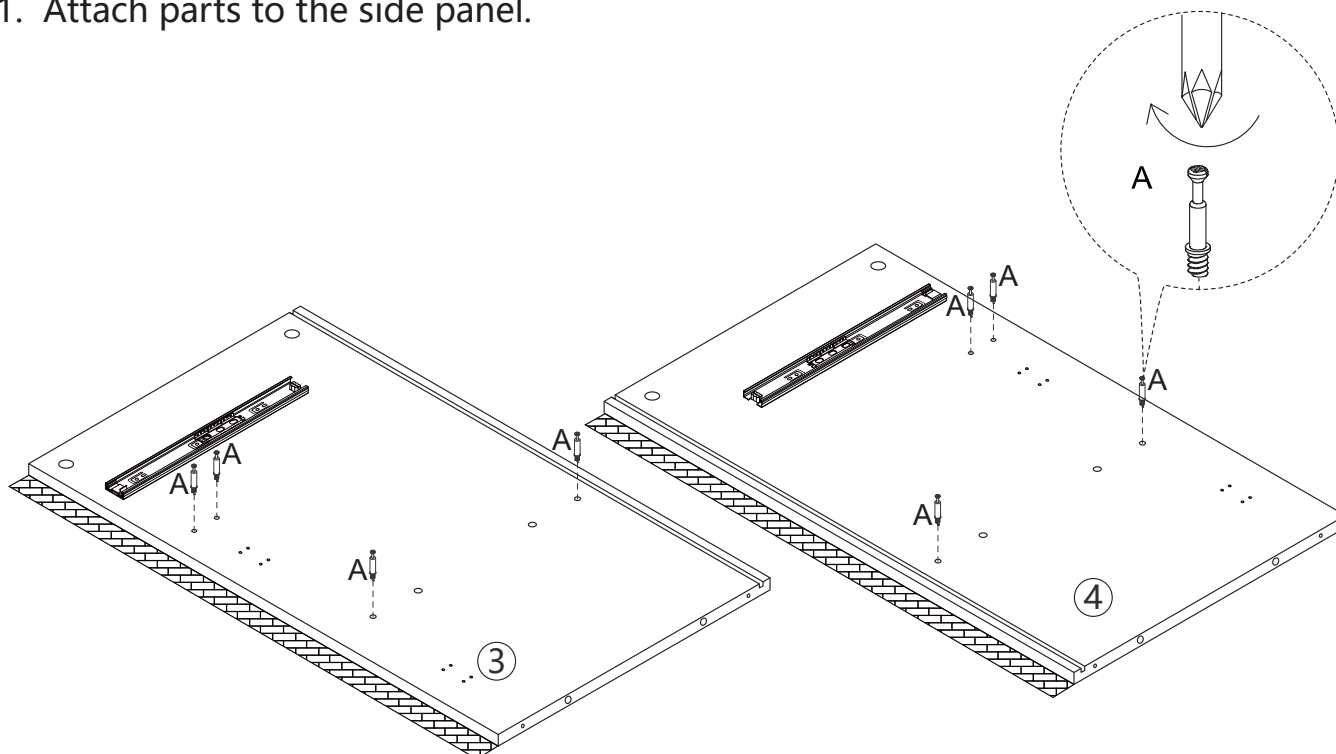
Ensure the cam lock screws are installed correctly, as indicated by the "check mark" below.



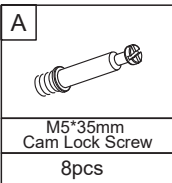
Refer to the illustration below to correctly use the cam lock screws for assembling the panels.



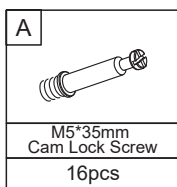
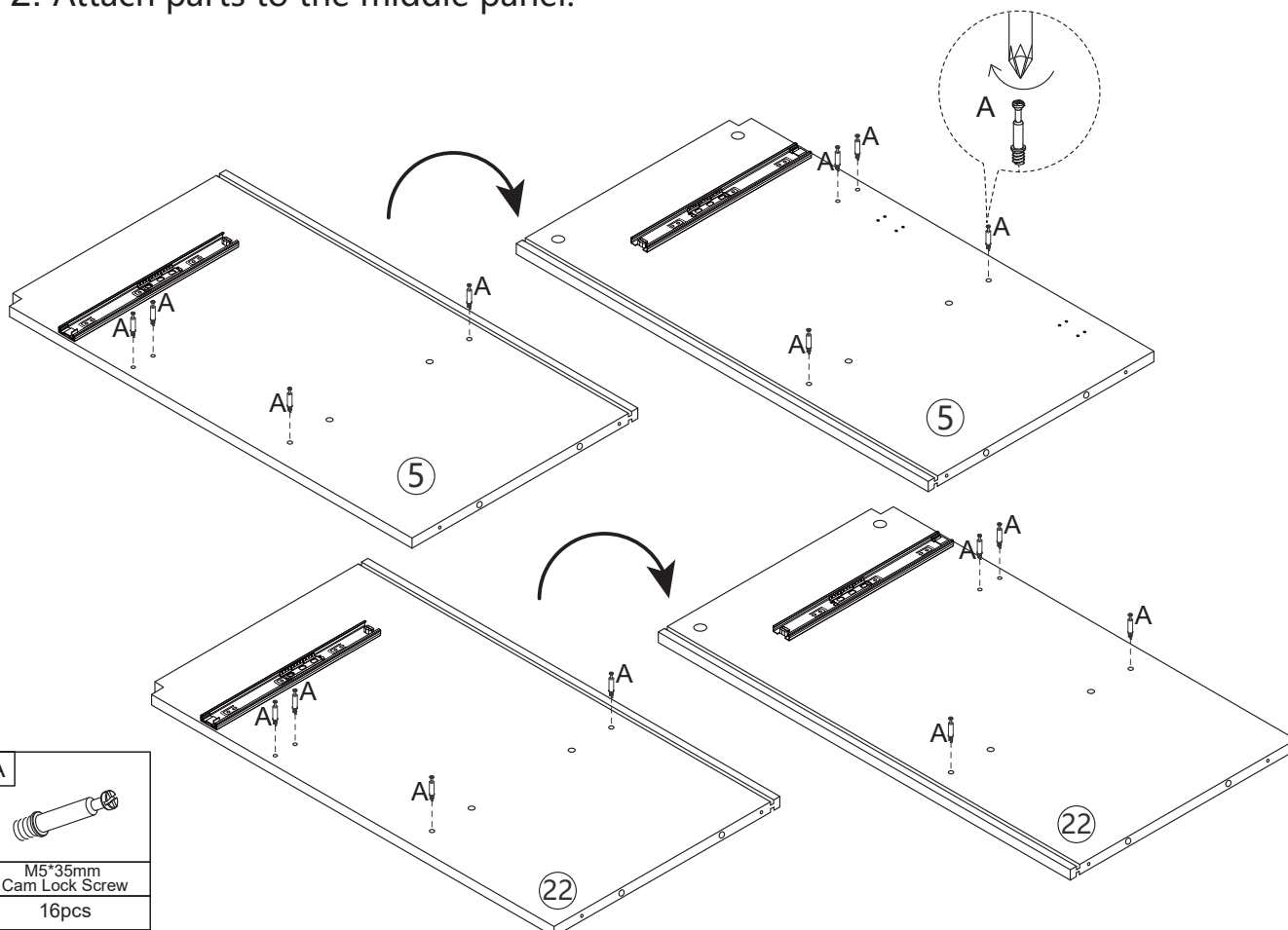
## 1. Attach parts to the side panel.



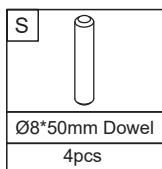
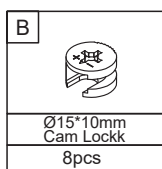
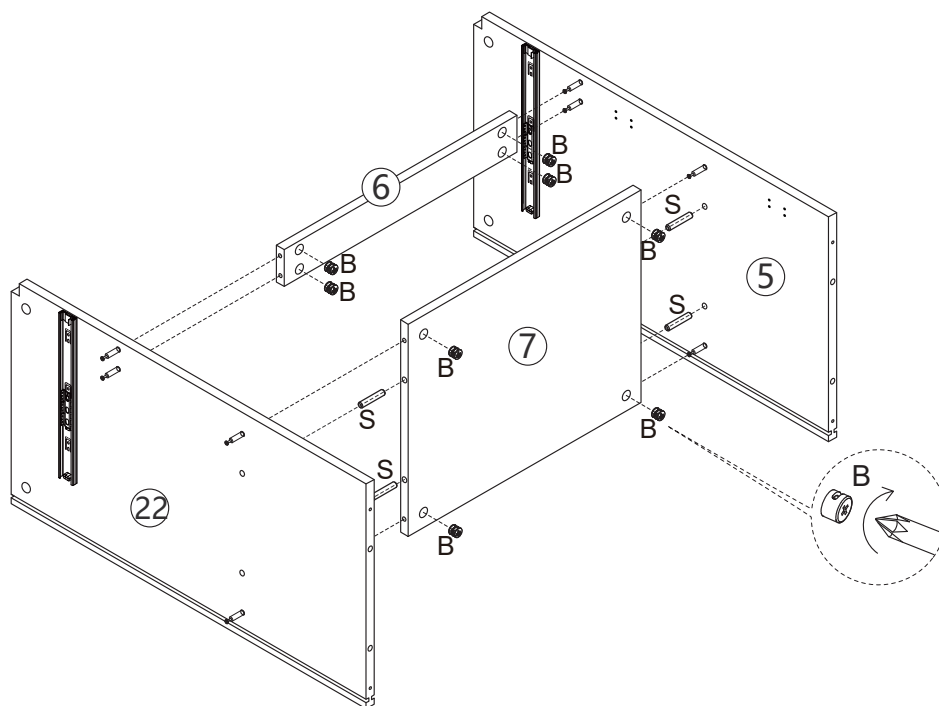
Put an EPS foam pad under the panels for surface scratch protection.



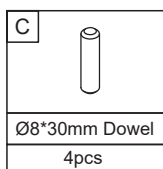
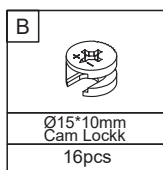
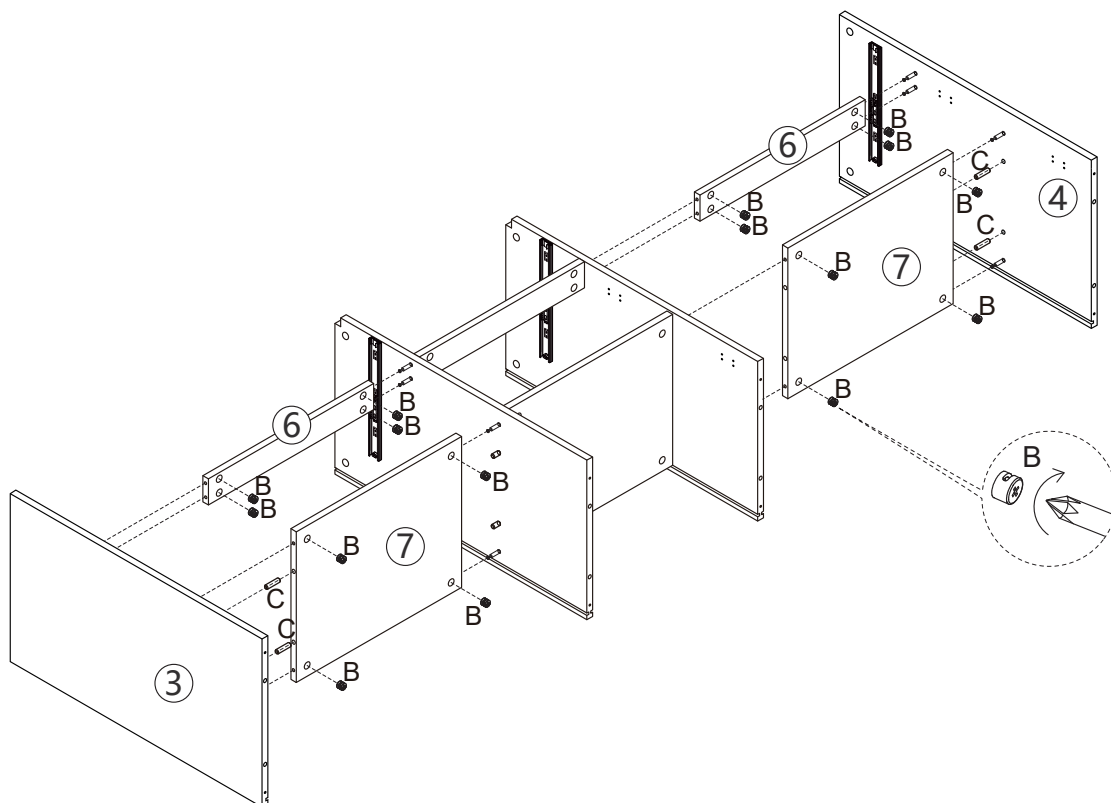
## 2. Attach parts to the middle panel.



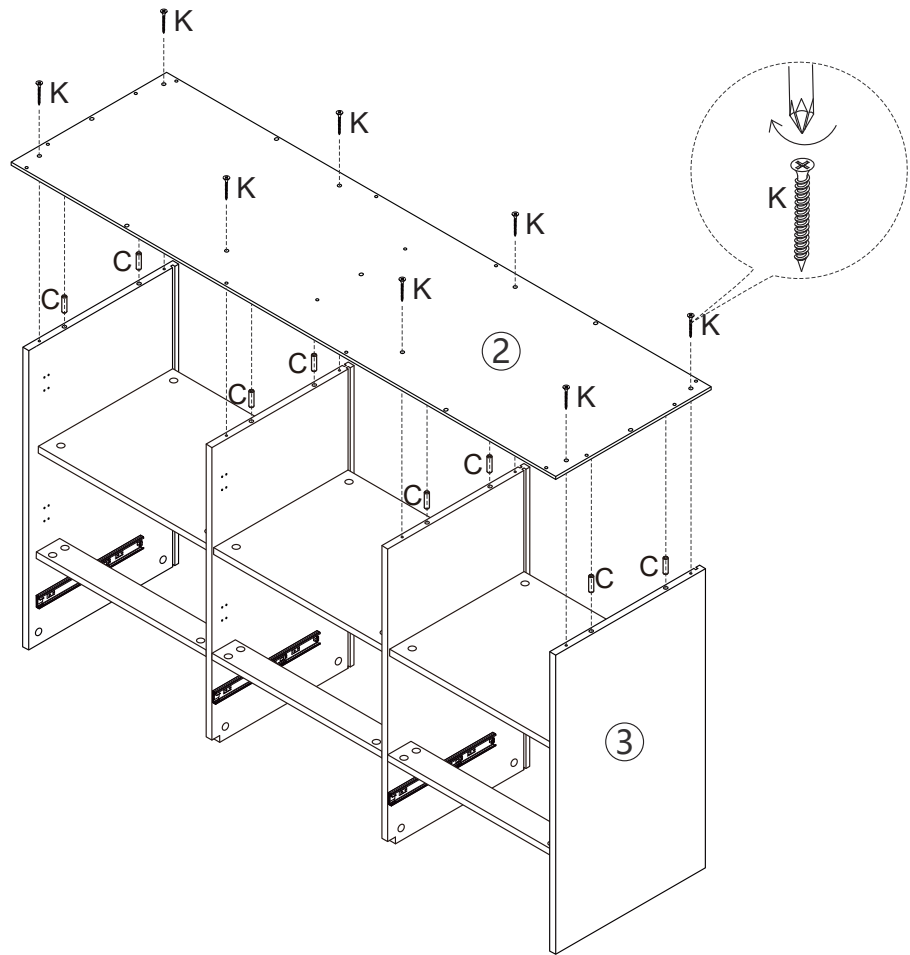
### 3. Assemble the panels of each part together according to the diagram.





### 4. Assemble the panels of each part together according to the diagram.

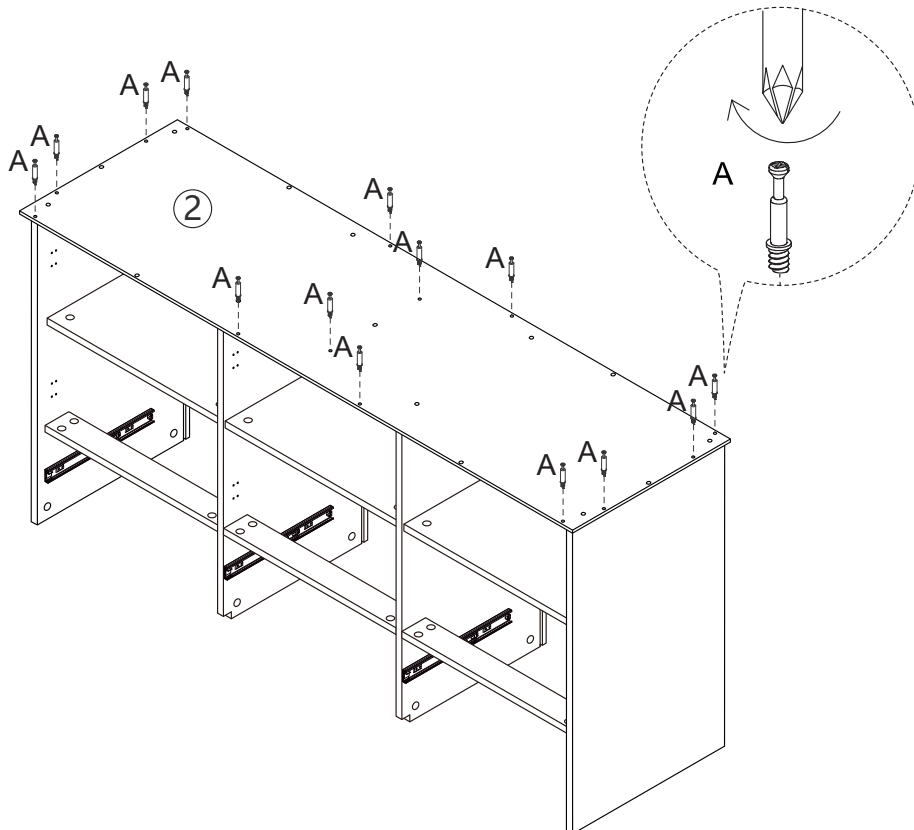


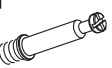
## 5. Attach panels to the bottom.



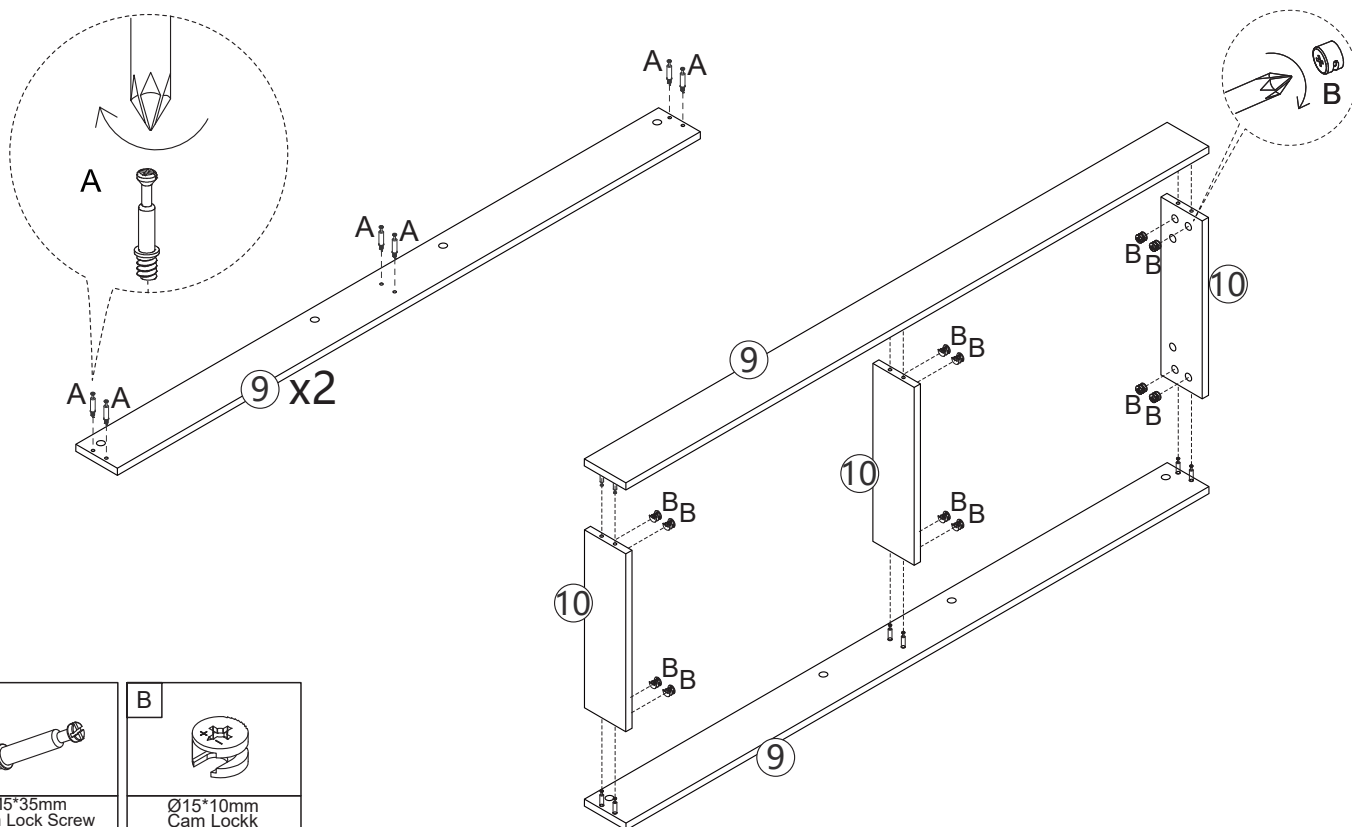
|   |  |
|---|--|
| <p>C</p>  | <p>K</p>  |
| <p>∅8*30mm Dowel<br/>8pcs</p>   | <p>M4*40mm Screw<br/>8pcs</p>  |

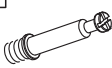

## 6. Attach parts to the bottom panel.



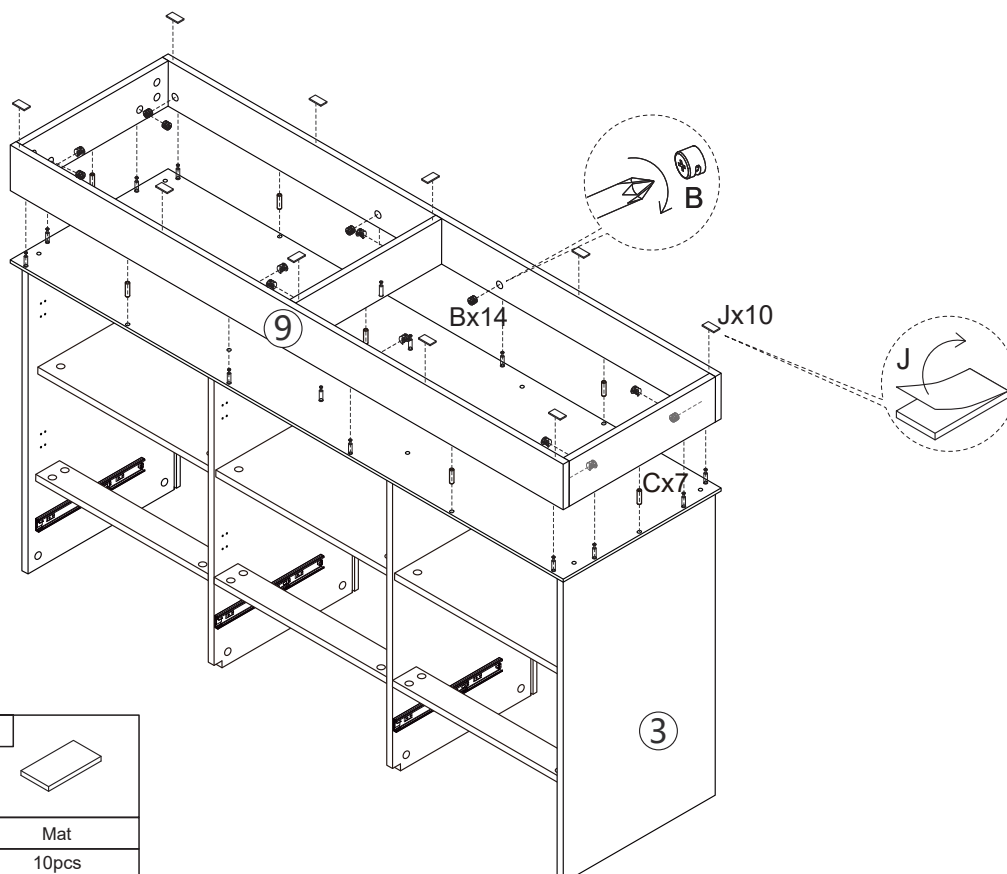
|  |
|--|
| <p>A</p>  |
| <p>M5*35mm<br/>Cam Lock Screw<br/>14pcs</p>  |



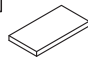
## 7. Assemble the panels of each part together according to the diagram.



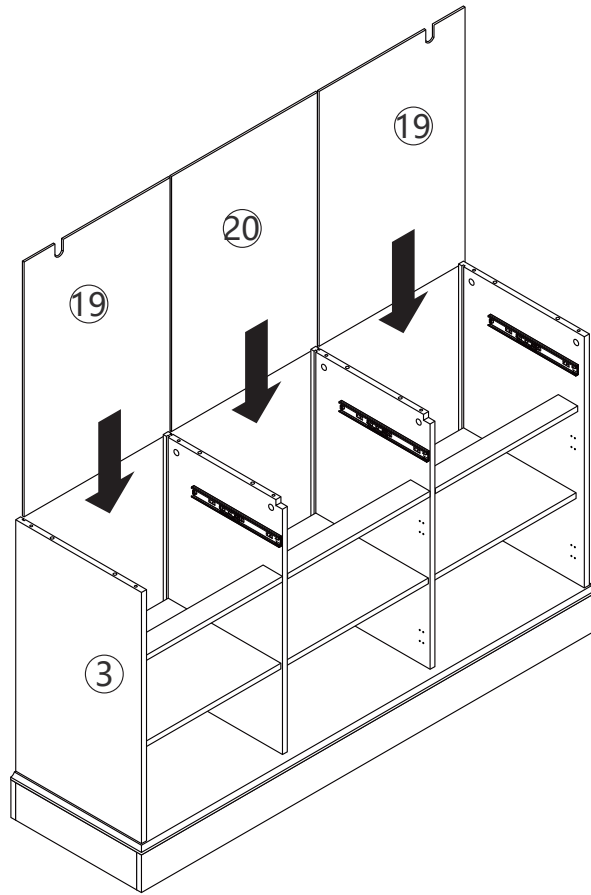
|   |   |
|---|---|
| <p><b>A</b></p>  | <p><b>B</b></p>  |
| <p>M5*35mm<br/>Cam Lock Screw<br/>12pcs</p>   | <p>Ø15*10mm<br/>Cam Lock<br/>12pcs</p>  |

## 8. Attach Legs to the bottom.

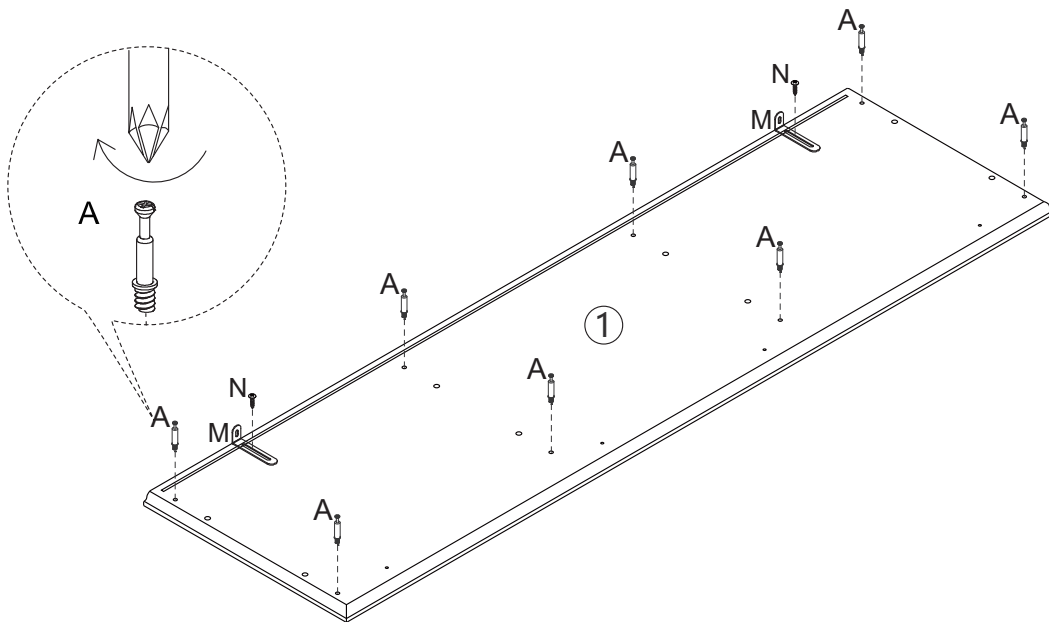


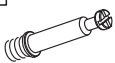


|   |   |   |
|---|---|---|
| <p><b>C</b></p>  | <p><b>B</b></p>  | <p><b>J</b></p>  |
| <p>Ø8*30mm Dowel<br/>7pcs</p>   | <p>Ø15*10mm<br/>Cam Lock<br/>14pcs</p>  | <p>Mat<br/>10pcs</p>  |

## 9. Assemble back panel.

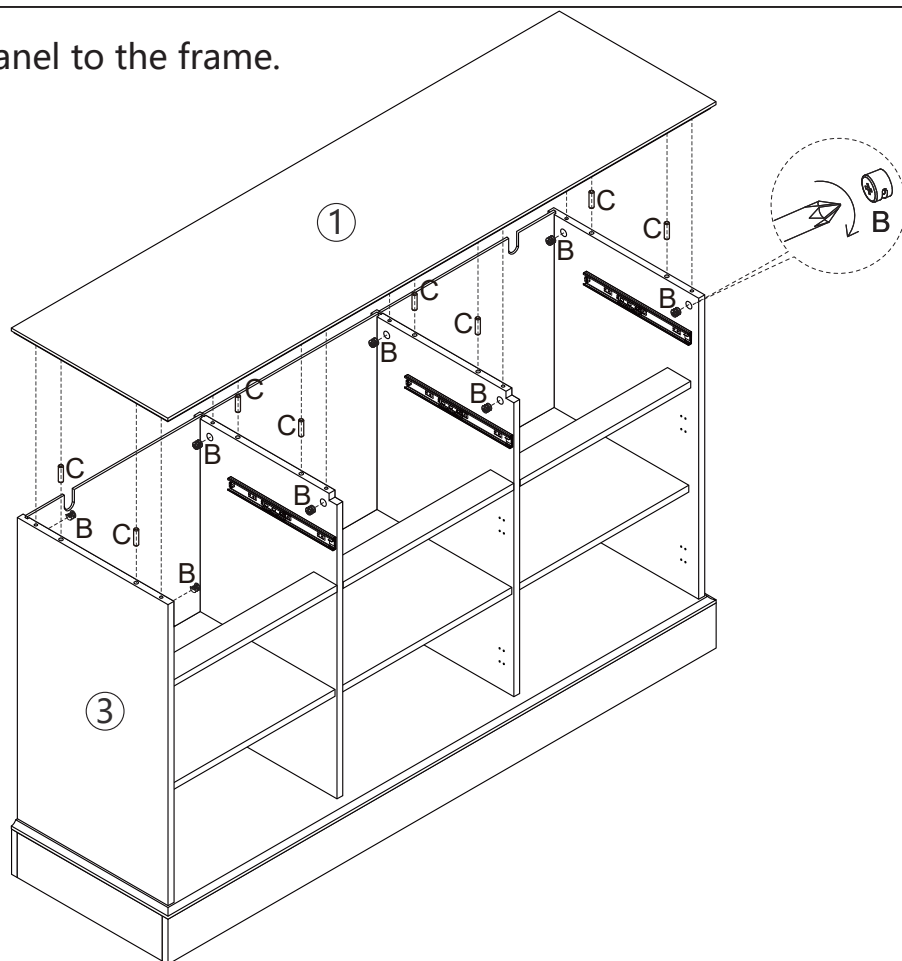




## 10. Attach parts to the top panel.



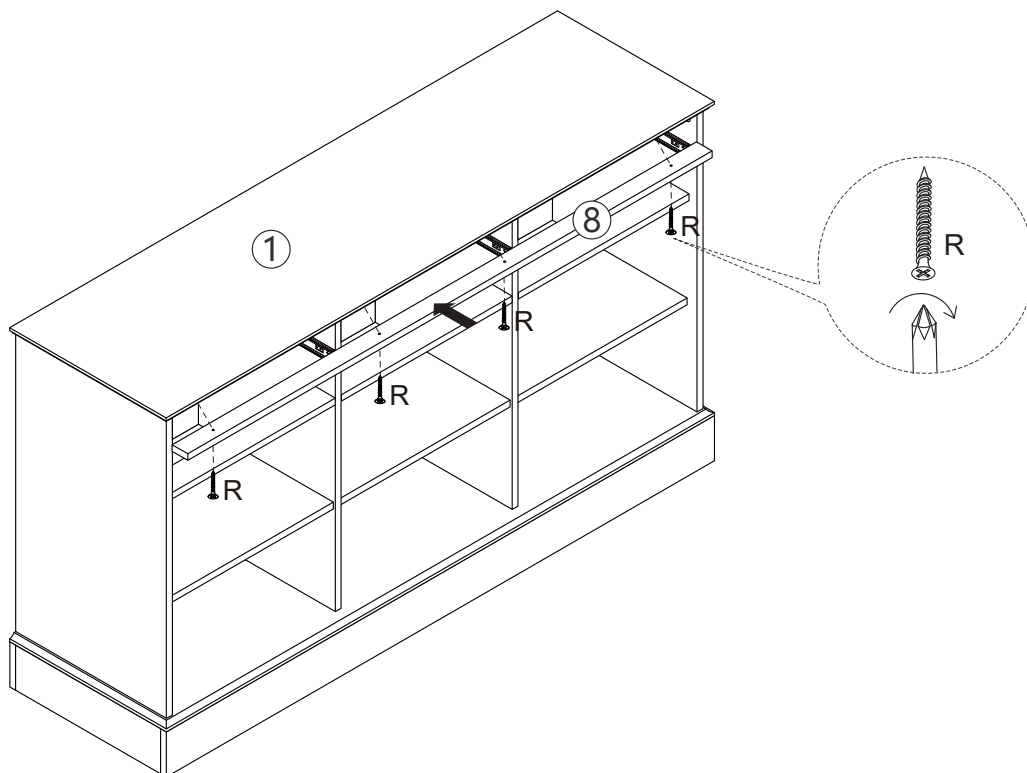
|  |   |   |
|--|---|---|
| <p><b>A</b></p>  | <p><b>M</b></p>  | <p><b>N</b></p>  |
| <p>M5*35mm<br/>Cam Lock Screw<br/>8pcs</p>   | <p>Wall Bracket<br/>2pcs</p>  | <p>M4*12mm Screw<br/>2pcs</p>   |


## 11. Attach the top panel to the frame.



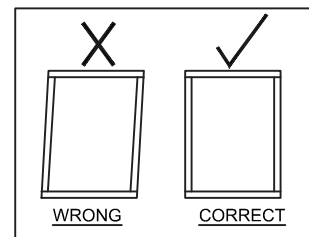
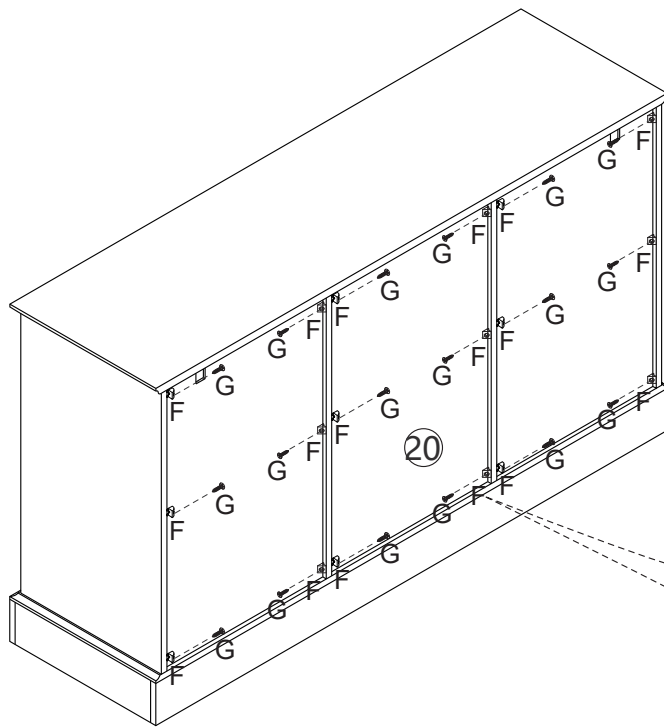
|                               |   |                       |   |
|-------------------------------|---|-----------------------|---|
| B                             |  | C                     |  |
| Ø15*10mm<br>Cam Lockk<br>8pcs |   | Ø8*30mm Dowel<br>8pcs |   |

## 12. Assemble the top support bar together according to the diagram.

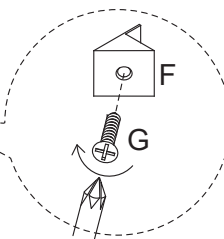


|                       |  |
|-----------------------|--|
| R                     |  |
| M4*25mm Screw<br>4pcs |  |

### 13. Attach the plastic buckles and screws.

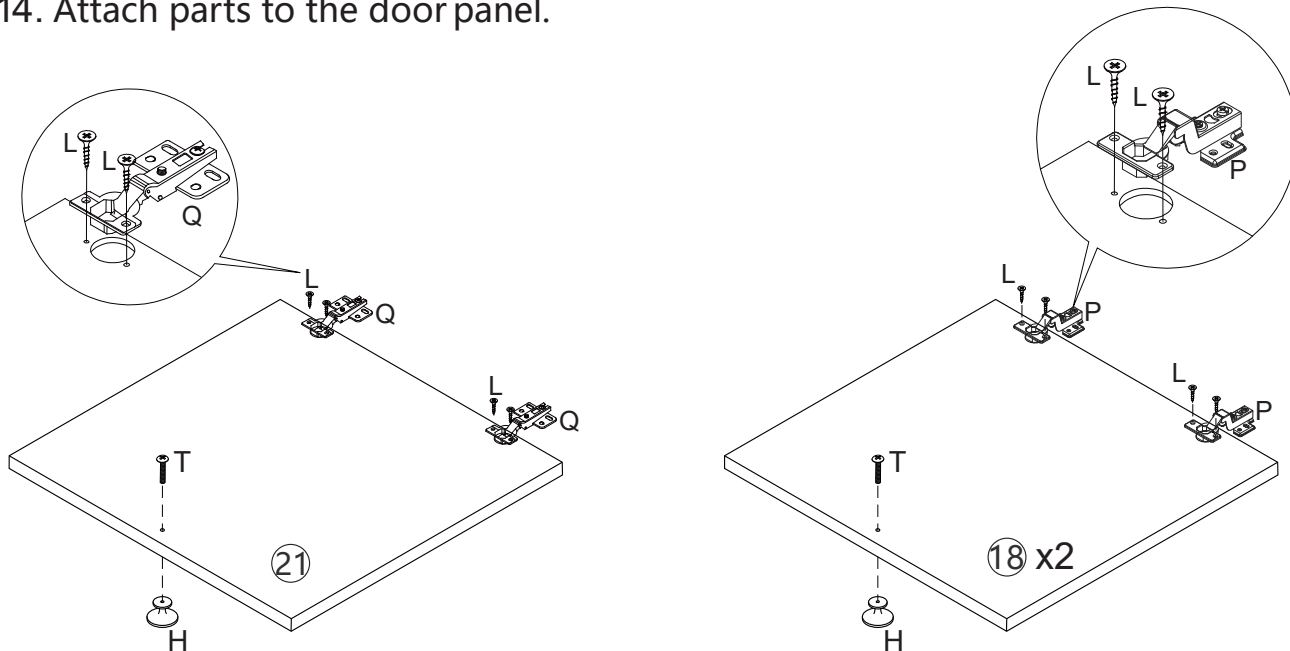


NB: Before tightening the plastic buckles and screws, please ensure the frame is square



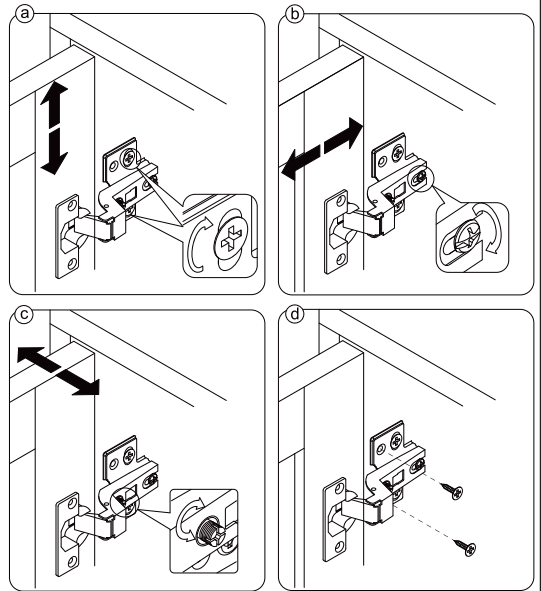
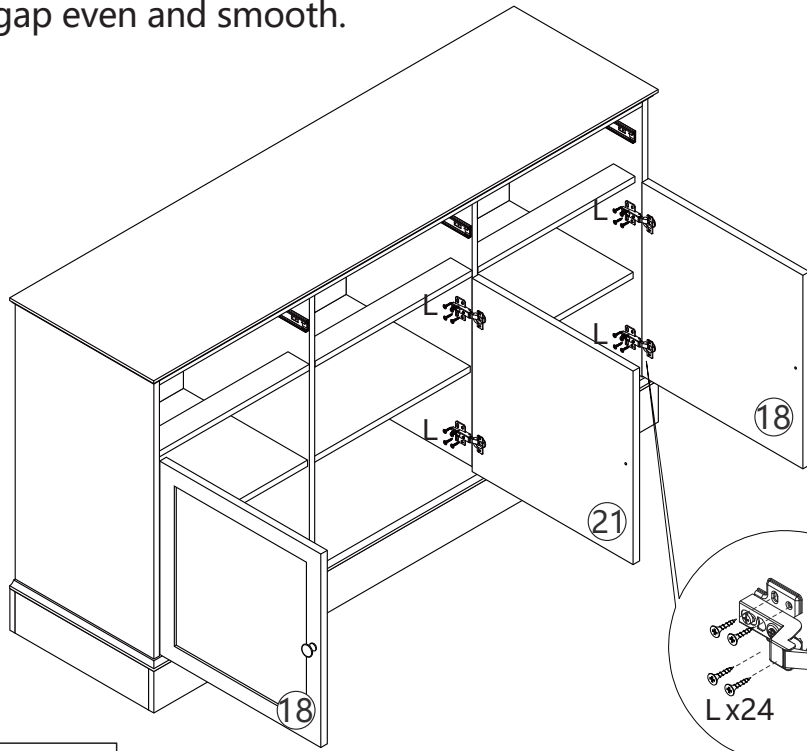
|                |               |
|----------------|---------------|
| F              | G             |
|                |               |
| Plastic Buckle | M3*12mm Screw |
| 18pcs          | 18pcs         |

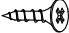
### 14. Attach parts to the door panel.



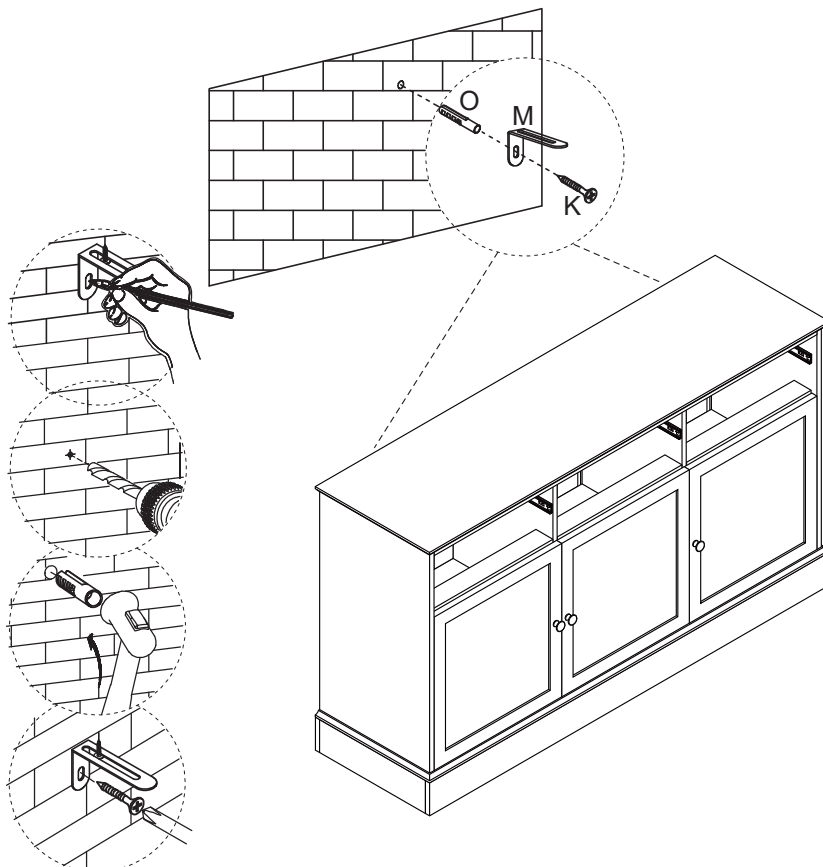
|       |       |               |        |              |
|-------|-------|---------------|--------|--------------|
| P     | Q     | L             | H      | T            |
|       |       |               |        |              |
| Hinge | Hinge | M4*14mm Screw | Handle | M4*20mm Bolt |
| 4pcs  | 2pcs  | 12pcs         | 3pcs   | 3pcs         |

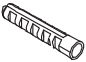

15. Assemble the door panel onto the cabinet and adjust it as shown in the picture, Make the door gap even and smooth.



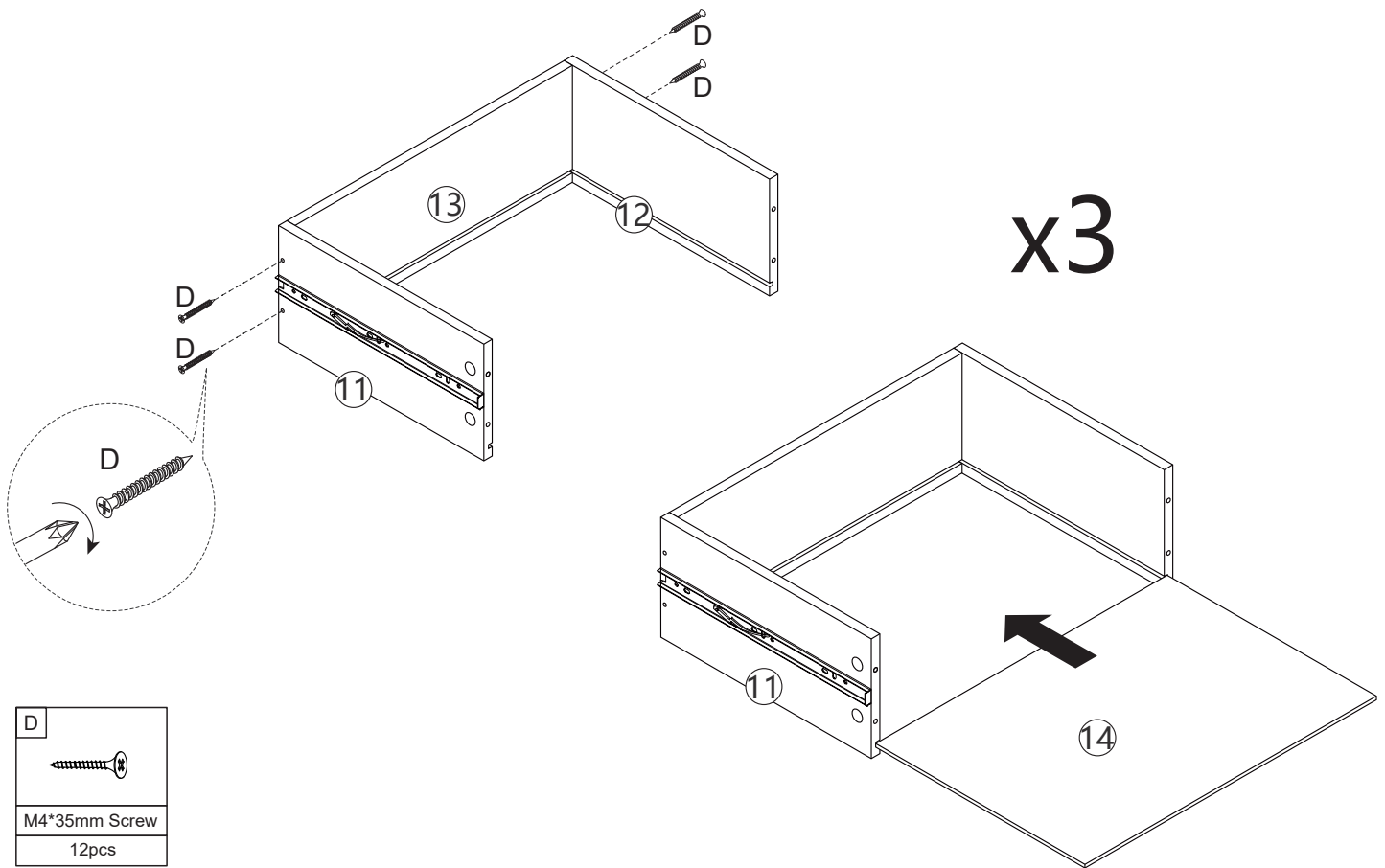
|               |   |
|---------------|---|
| L             |  |
| M4*14mm Screw |   |
| 24pcs         |   |

16. Drill holes in the wall, insert expansion bolts, and then fix the furniture to the wall with screws.

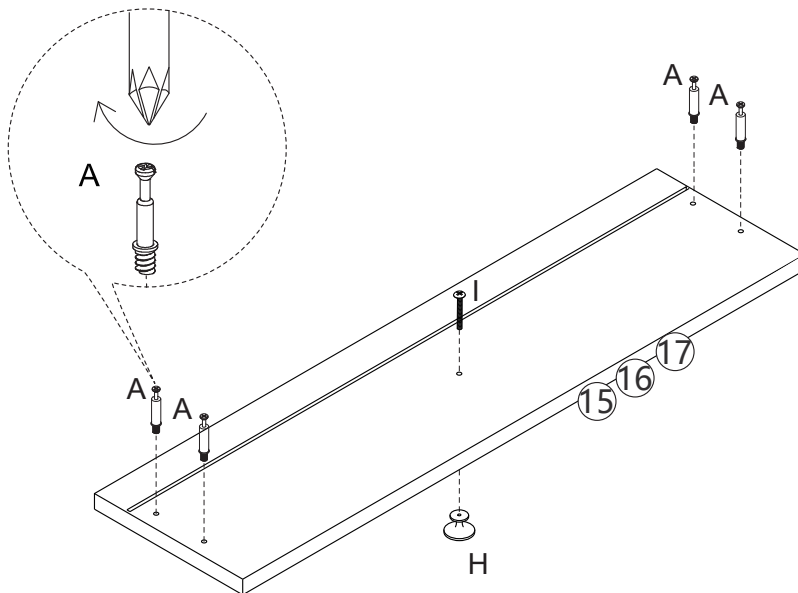


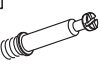


|                     |   |               |   |
|---------------------|---|---------------|---|
| O                   |  | K             |  |
| M8*40mm Wall Anchor |   | M4*40mm Screw |   |
| 2pcs                |   | 2pcs          |   |

17. Assemble the drawer by following the steps shown in the illustration below.

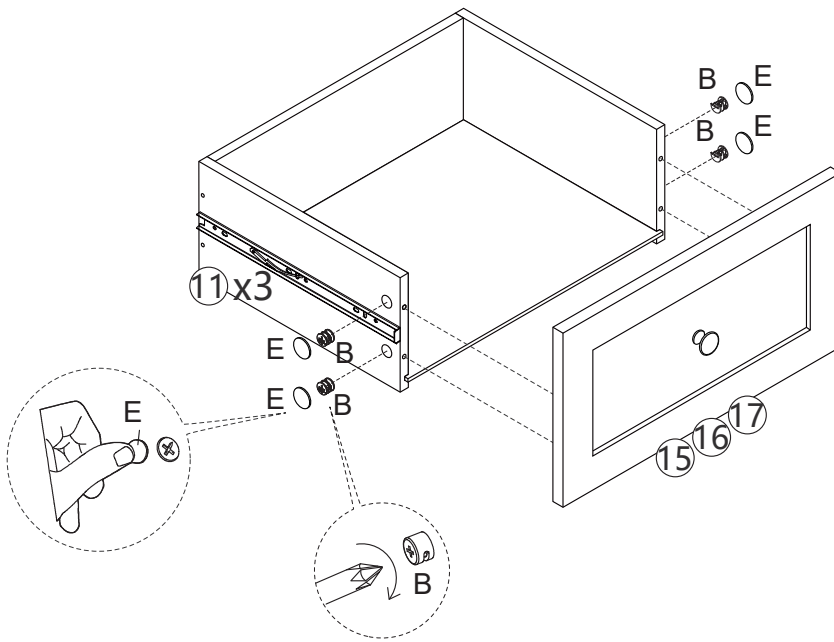




18. Attach parts to the drawer panel.



|  |  |  |
|--|--|--|
| <p>A</p>  | <p>H</p>  | <p>I</p>  |
| <p>M5*35mm<br/>Cam Lock Screw<br/>12pcs</p>  | <p>Handle<br/>3pcs</p>   | <p>M4*14mm Bolt<br/>3pcs</p>   |

19. Assemble the drawer by following the steps shown in the illustration below.



|                       |   |       |   |
|-----------------------|---|-------|---|
| B                     |  | E     |  |
| Ø15*10mm<br>Cam Lockk |   | Cover |   |
| 12pcs                 |   | 12pcs |   |

20. Assemble drawer in the cabinet.

