

DUSK.COM

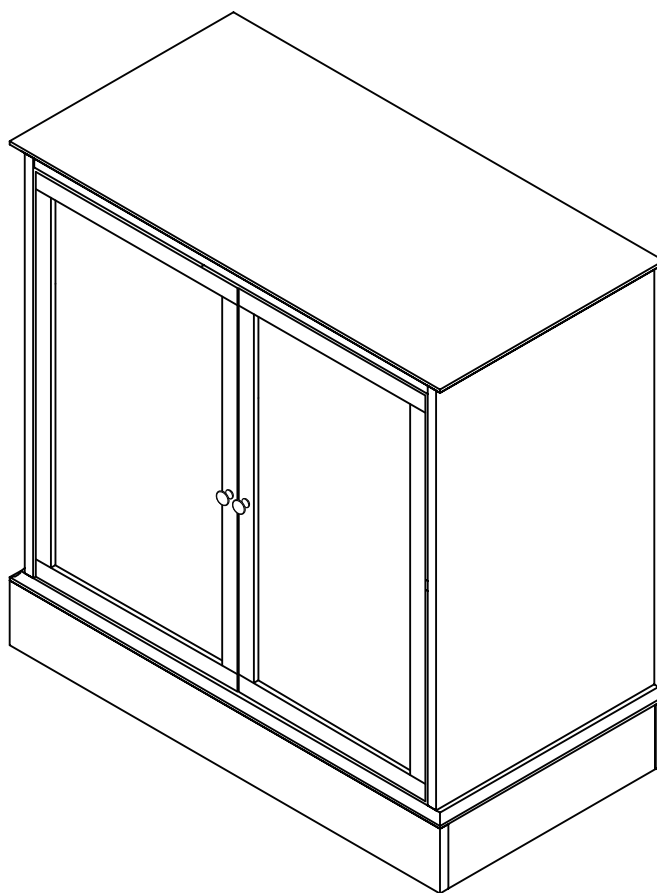
LIVING | BEDROOM | DINING

Range Name: New Ruby

Box1 Dimensions: W92xD49.5xH20 (cm)

Product Dimensions: W77xD40xH78 (cm)

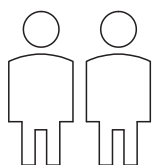
Two door sideboard



THIS INSTRUCTION BOOKLET CONTAINS IMPORTANT SAFETY INFORMATION.
PLEASE READ AND KEEP FOR FUTURE REFERENCE.



Up to 60 minutes
assembly time



Three person
assembly



Electric screwdriver
prohibited

This product is intended for domestic use only, not for commercial purposes.

V-1.0
P-1/13

IMPORTANT

ASSEMBLY TIP

Before you begin, it's best to identify all of the parts and fittings to build your Two door sideboard frame. We advise laying these out on the floor to check you have everything, and to familiarise yourself with all of the parts and fittings before building.

TOP TIP

We recommend that you assemble the bedside in the room you'd like it to be located. This will help prevent any risk of damage to the frame whilst moving it.

SAFETY AND CARE

1. It's important to ensure children and animals are kept away from the assembly area, as there are small components used in this product which could present a choking hazard. All plastic and wrapping materials should also be kept away from children and animals to prevent any risk of suffocation.
2. Do not stand on your product.
3. Always use the item on firm level ground, ensuring all legs remain in contact with the ground.
4. Place heaviest items in the lowest drawers.
5. Do not set TV or other heavy objects on top of the product.
6. Children should always be under supervision whilst using this product. Never allow children to climb on the drawers.
7. Never keep more than one drawer open at the same time.
8. In order to prevent overturning, this product must be used with the wall attachment device provided.
9. Serious or fatal crushing injuries can occur from tipping furniture.

HELP AND SUPPORT

Please contact our customer service team on 0113 519 0311 if you have any questions or issues with your purchase.

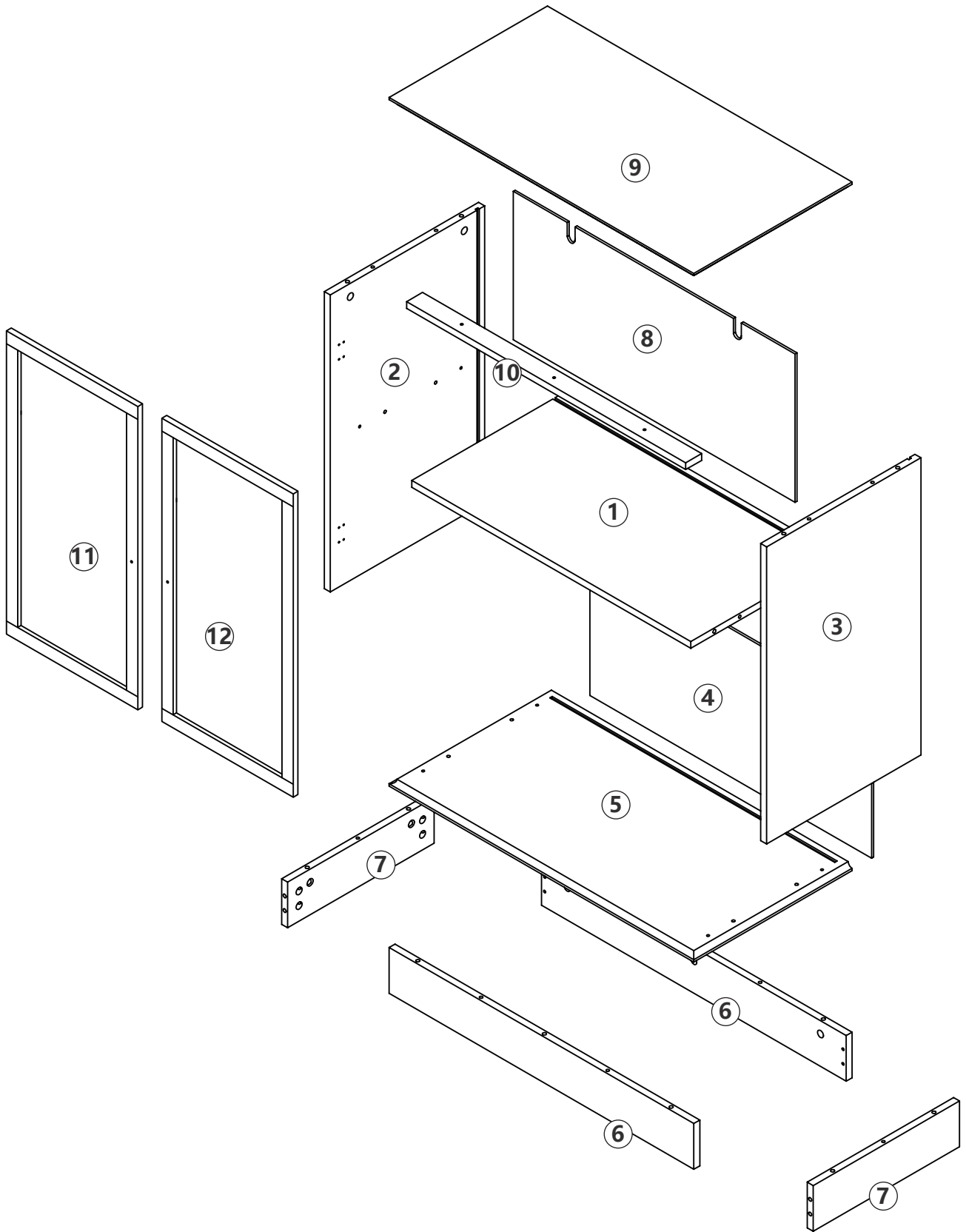
RECYCLING

Please ensure that packaging is disposed of in a safe and environmentally friendly way, and recycle where possible. Please keep your assembly instructions safe to refer back to in the future.

CARE AND MAINTENANCE

1. Only clean using a damp cloth, do not use bleach or abrasive cleaners as they may damage the finish over time.
2. Do not use a very wet cloth or allow any liquid to contact with the surface for a long period of time. Wipe any spillage immediately. Absorption can cause wood to warp or finishes to de-laminate.
3. Do not scrub or rub the surface when cleaning.
4. Do not drag the Two door sideboard when moving, lift it off the floor instead.
5. Use a placemat or a coaster when putting hot items (e.g. hot drinks and dishes) on the wood surface.
6. It is not recommended to place the item next to sources of heat such as radiators, fires or directly exposed to sunlight. This may cause the wood to crack, split or fade due to the heat and humidity.
7. Wood will mellow and change colour over time, we recommend that ornaments and items placed on the surface to be moved regularly to prevent uneven mellowing.
8. Regularly check all fixings to ensure none have come loose. Re-tighten if necessary.
9. Avoid sharp items such as a screwdriver or any pointy tools.

Parts list



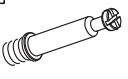


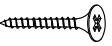





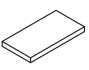


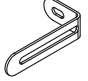

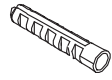
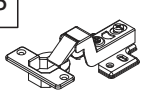
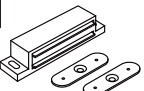

Parts list

Before you begin building your Two door sideboard, please take a moment to read through the instructions and make sure that you have all the relevant parts listed on the parts check list.

Part Number	Part Description	Quantity	Box No
1	Shelf Centre Panel	1 pc	Box1
2	Left Side Panel	1 pc	Box1
3	Right Side Panel	1 pc	Box1
4	Back Panel	1 pc	Box1
5	Bottom Panel	1 pc	Box1
6	Leg Long Panel	2 pcs	Box1
7	Leg Short Panel	2 pcs	Box1
8	Back Panel	1 pc	Box1
9	Top Panel	1 pc	Box1
10	Top Support Bar	1 pc	Box1
11	Left Door Panel	1 pc	Box1
12	Right Door Panel	1 pc	Box1

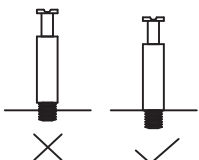
Fittings

Please check you have all the fittings listed below with your product in Box1.

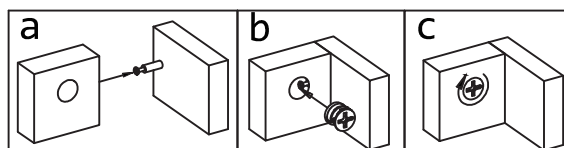
A 	B 	C 	D 	E 	F 	G 
M5*35mm Cam Lock Screw 26pcs+3pcs extra	Ø15*10mm Cam Lock 26pcs+3pcs extra	Ø8*30mm Dowel 18pcs+2pcs extra	M4*22mm Screw 3pcs	Cover 4pcs	Plastic Buckle 12pcs+1 pc extra	M3*12mm Screw 14pcs+1pc extra
H 	I 	J 	K 	L 	M 	N 
Handle 2pcs	M4*20mm Bolt 2pcs	Mat 4pcs	M4*40mm Screw 6pcs	M4*14mm Screw 24pcs+3pcs extra	Wall Bracket 2pcs	M4*12mm Screw 2pcs
O 	P 	Q 	R 			
M8*40mm Wall Anchor 2pcs	Hinge 4pcs	Door Catch 1pc	M3*16mm Screw 2pcs			

Pre- assembled Fitting

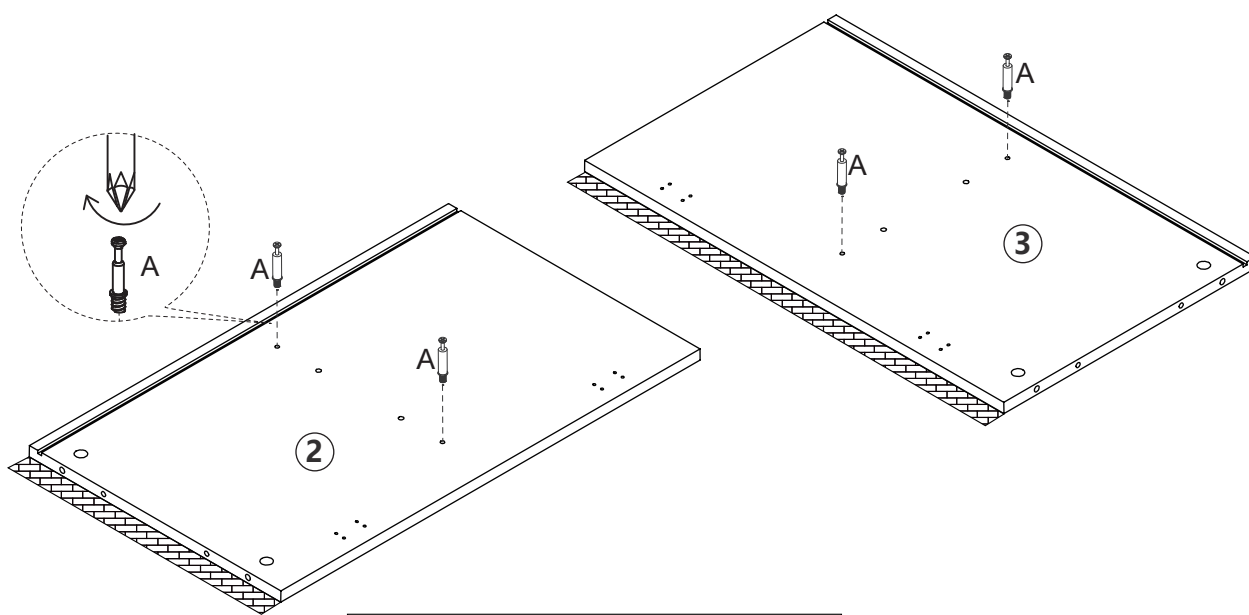
Ensure the cam lock screws are installed correctly, as indicated by the "check mark" below.



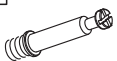
Refer to the illustration below to correctly use the cam lock screws for assembling the panels.



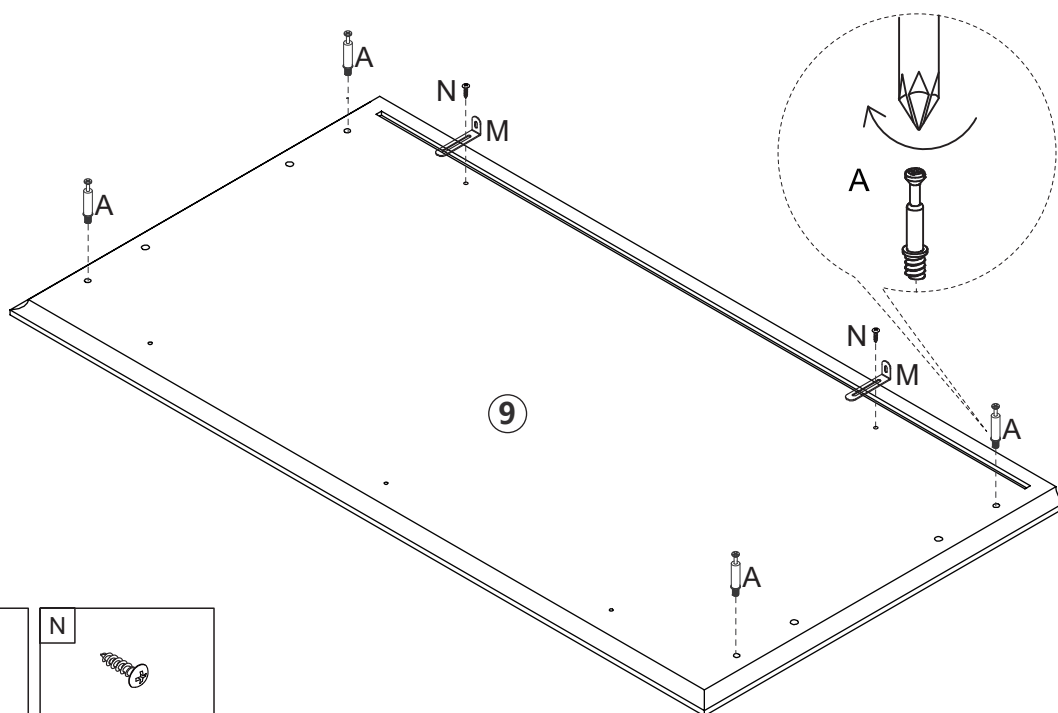
1. Attach parts to the side panel.

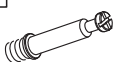



Put an EPS foam pad under the panels for surface scratch protection.


A

M5*35mm Cam Lock Screw
4pcs

2. Attach parts to the top panel.

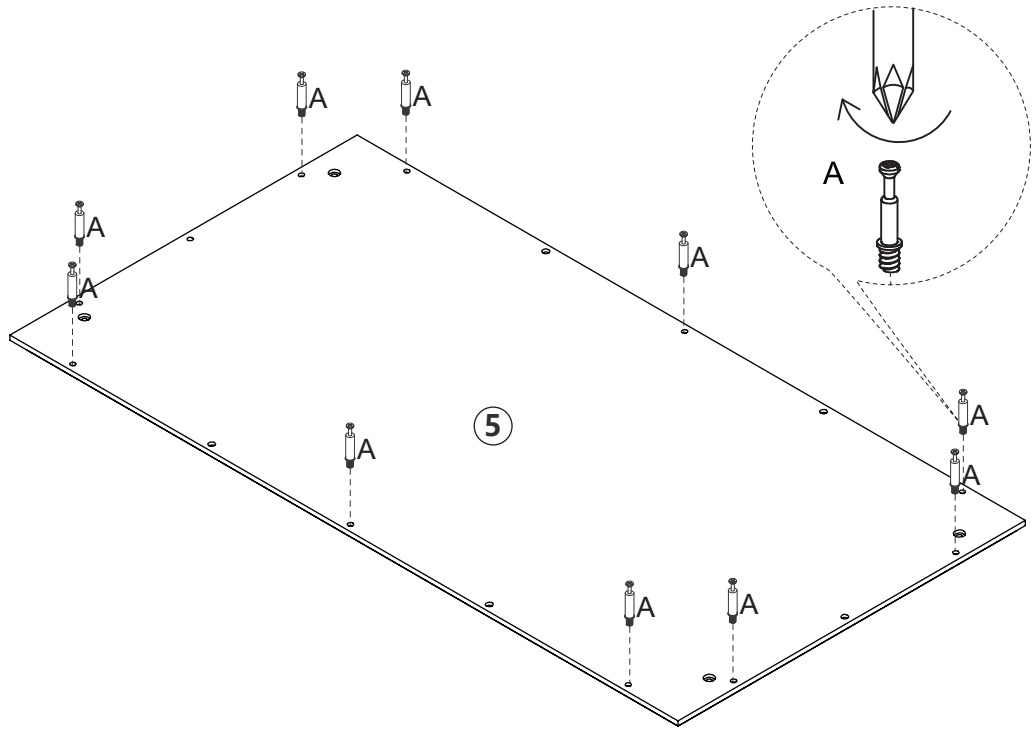


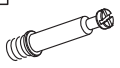
A

M5*35mm Cam Lock Screw
4pcs

M

Wall Bracket
2pcs

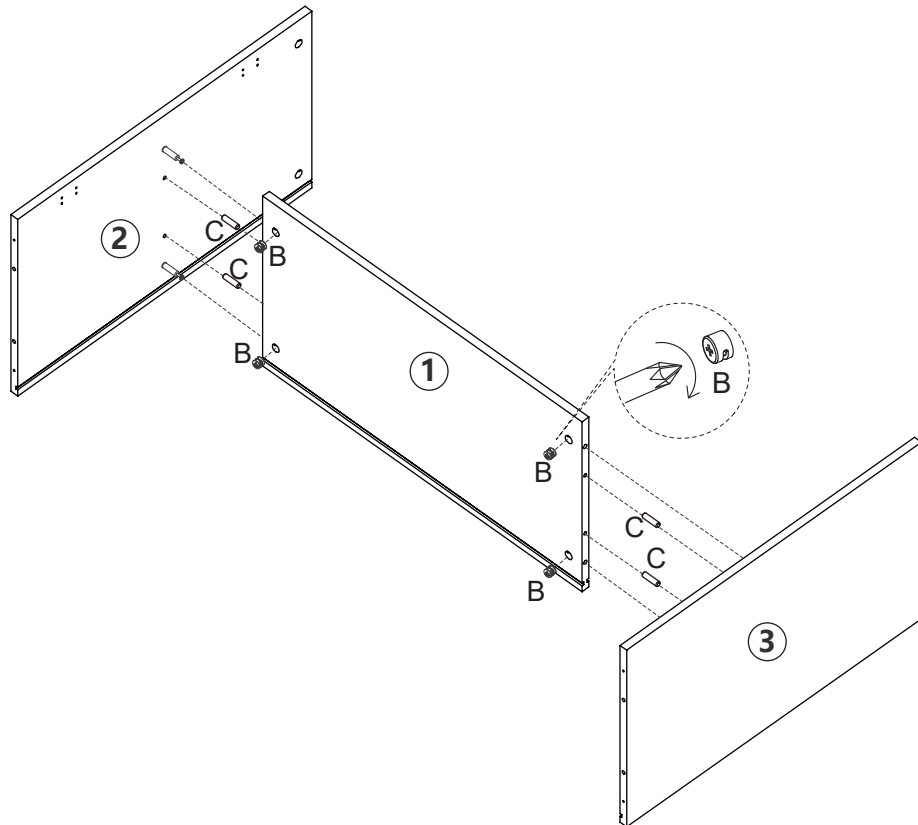
N

M4*12mm Screw
2pcs



3. Attach parts to the bottom panel.



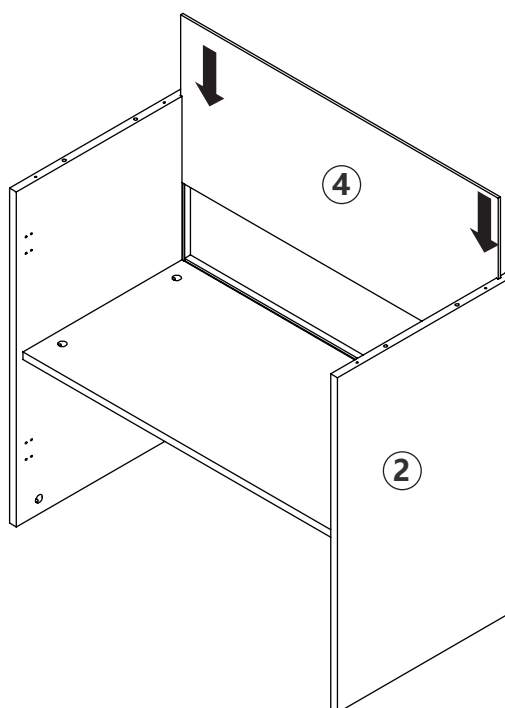
A	
M5*35mm Cam Lock Screw	
10pcs	

4. Assemble the panels of each part together according to the diagram.

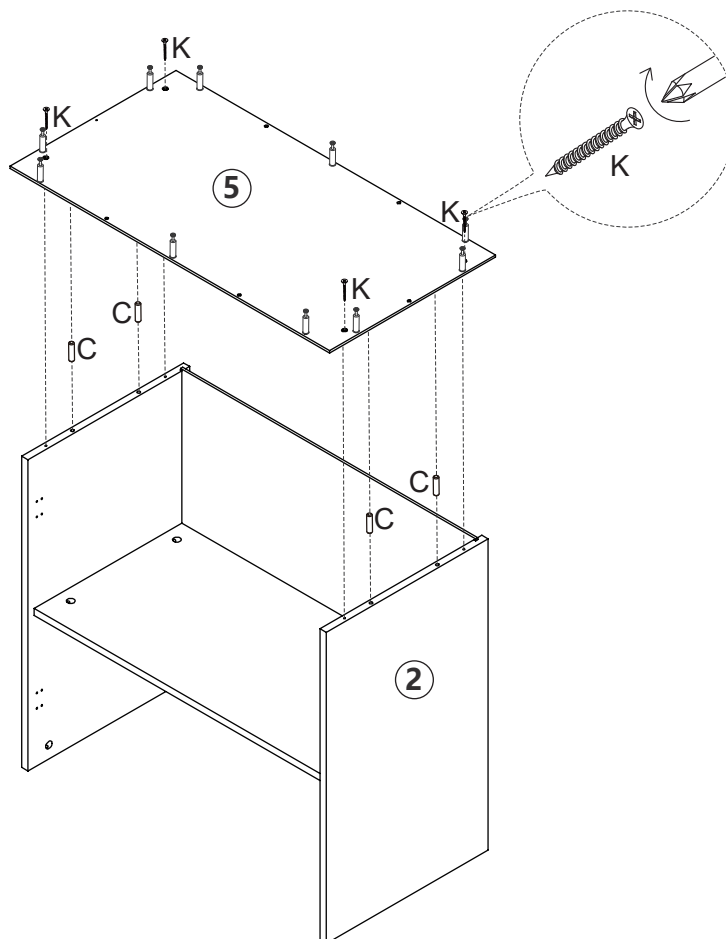




B		C	
Ø15*10mm Cam Lock		Ø8*30mm Dowel	
4pcs		4pcs	

5. Assemble back panel.

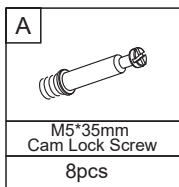
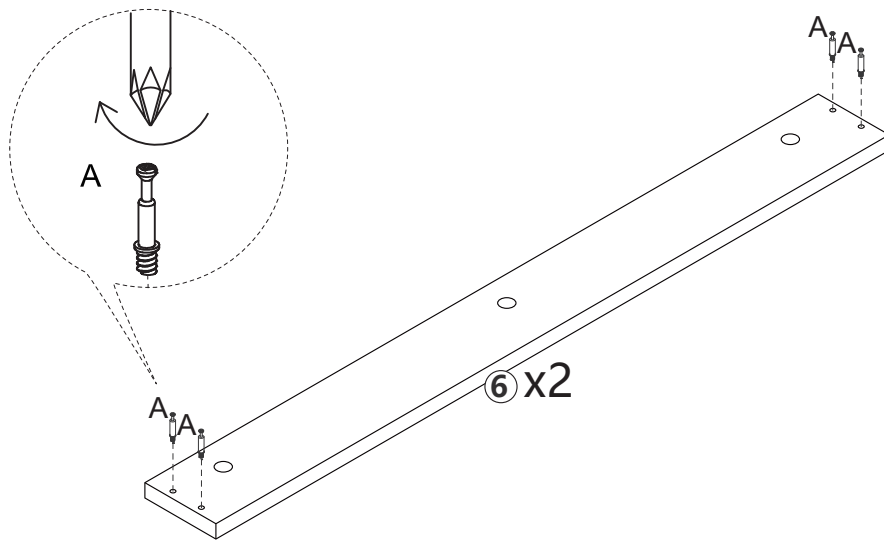


6. Attach panels to the bottom.

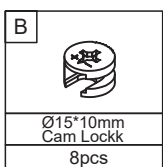
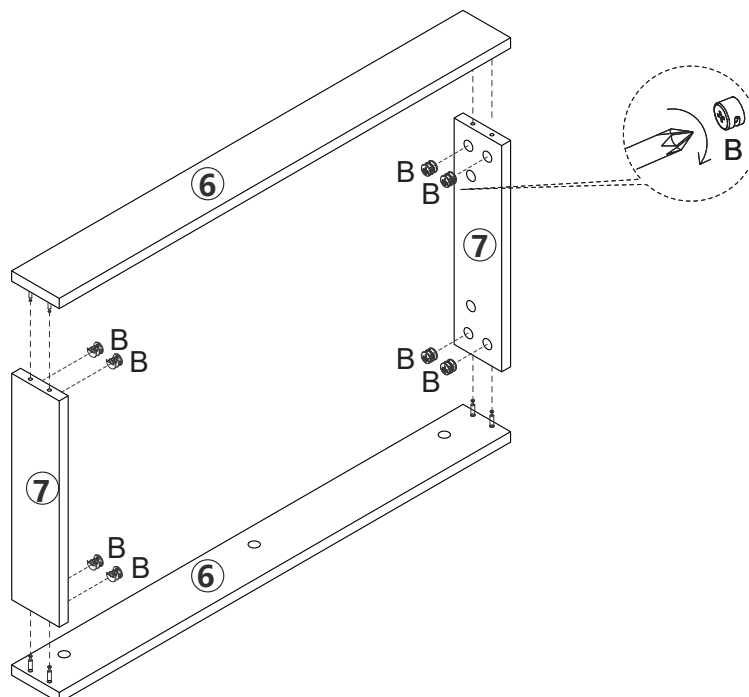


K 	C 
M4*40mm Screw	Ø8*30mm Dowel
4pcs	4pcs

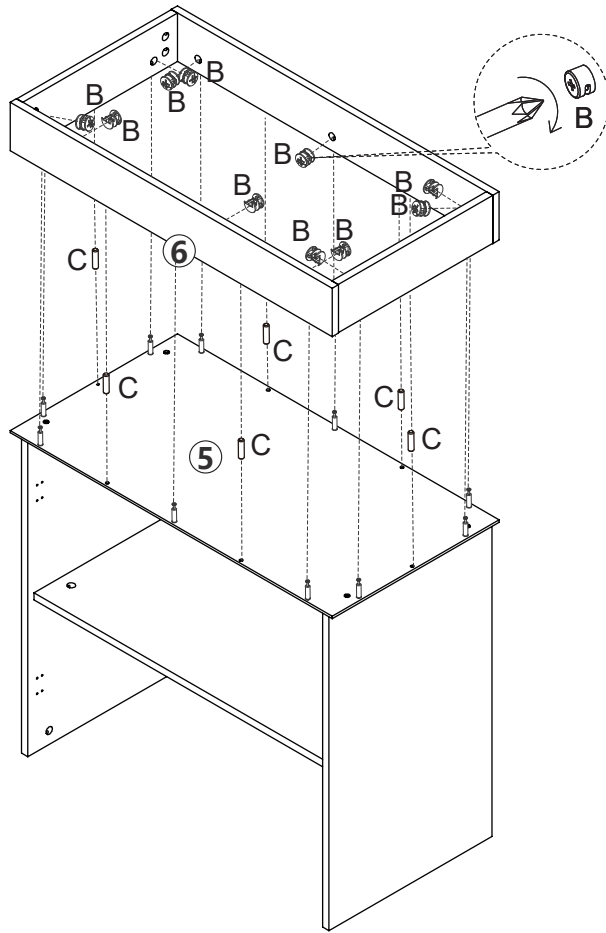
7. Attach parts to the leg panel.





8. Assemble the panels of each part together according to the diagram.

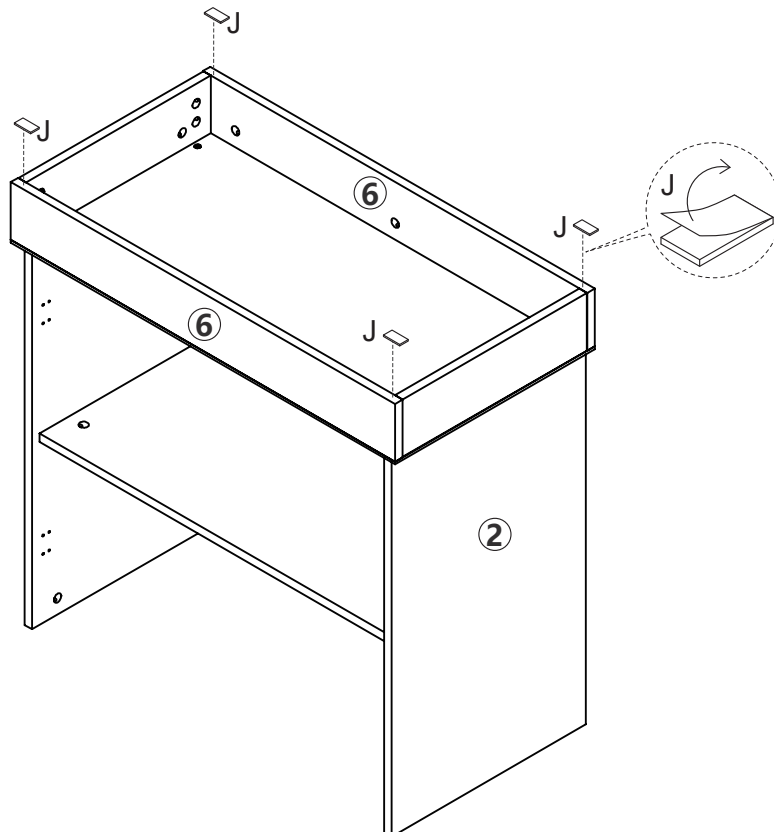



9. Attach legs to the bottom.



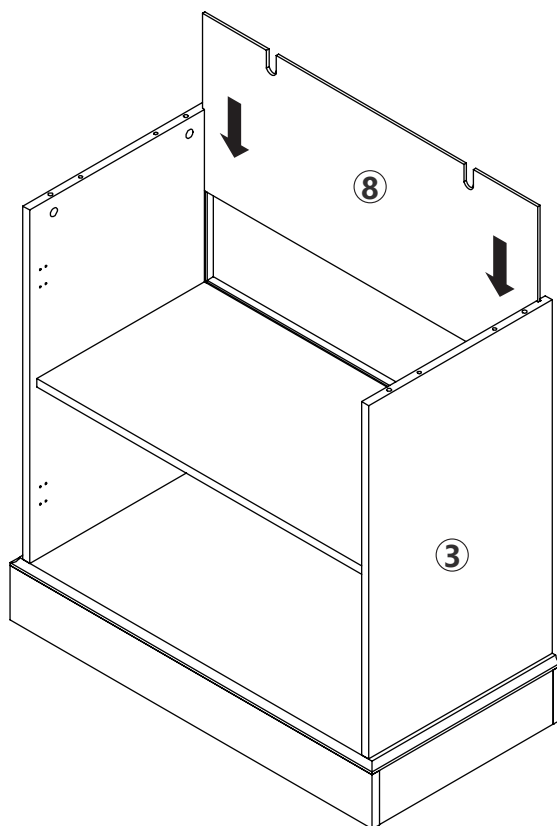
B		C	
Ø15*10mm Cam Lockk		Ø8*30mm Dowel	
10pcs		6pcs	

10. Attach mat to the panel.

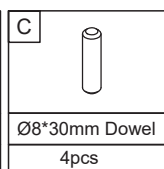
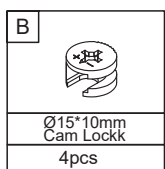
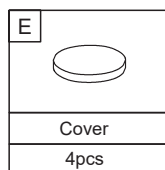
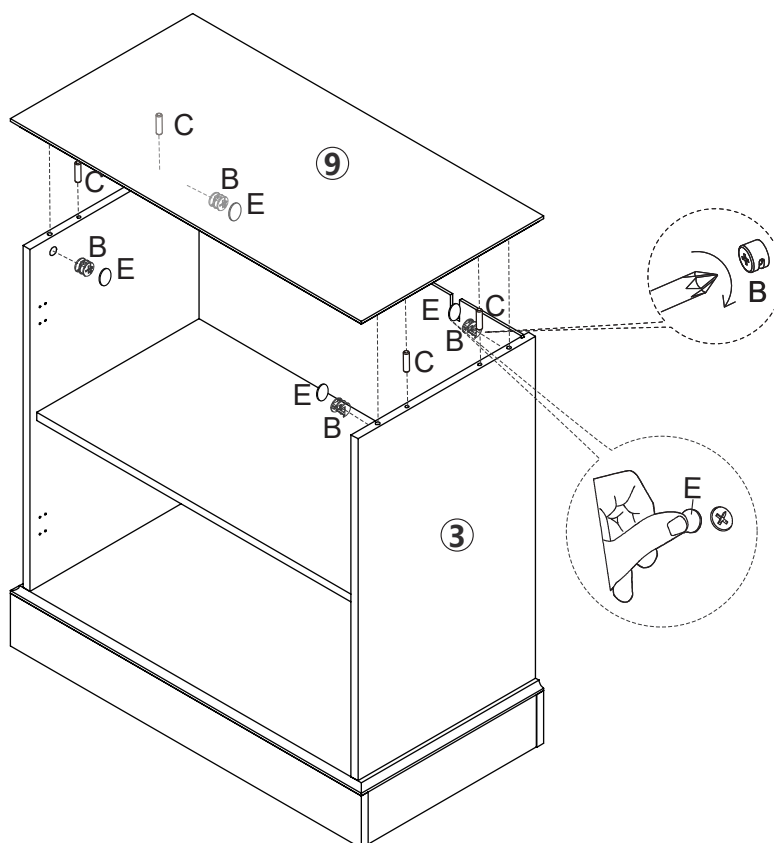


J	
Mat	
4pcs	

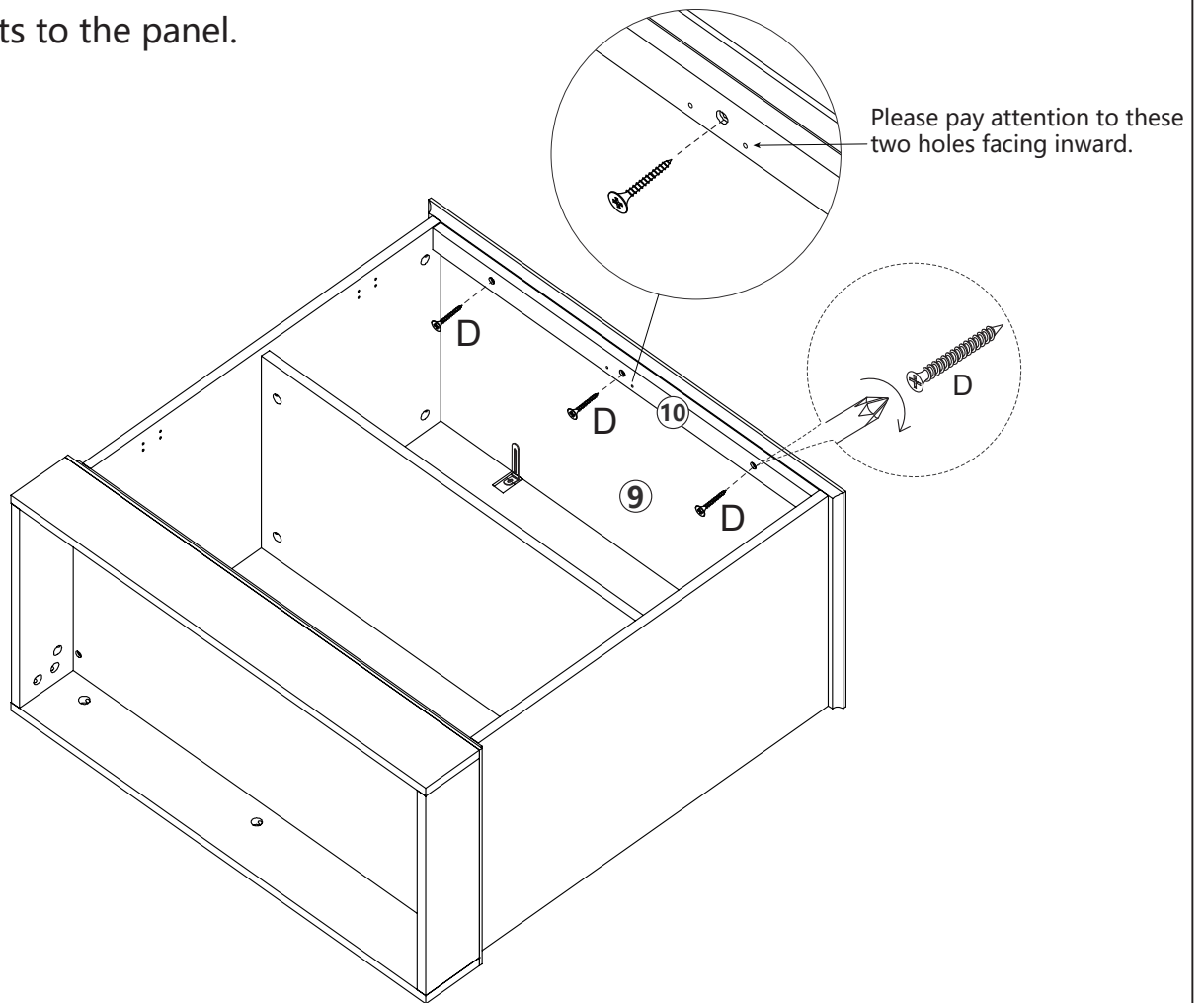
11. Assemble back panel.



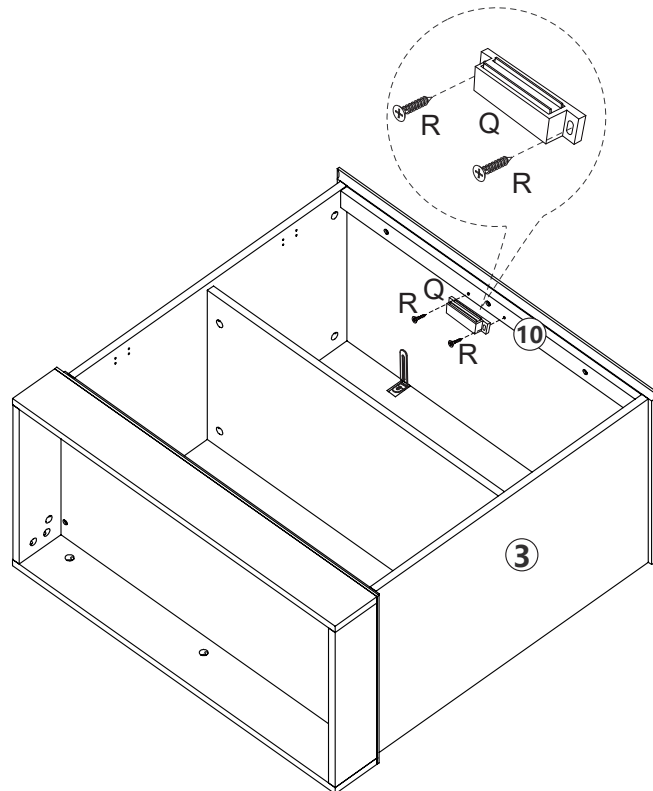
12. Attach the top panel to the frame.



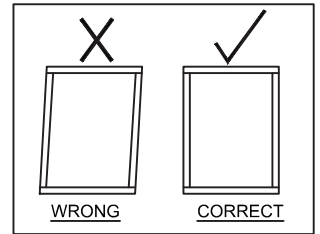
13. Attach parts to the panel.



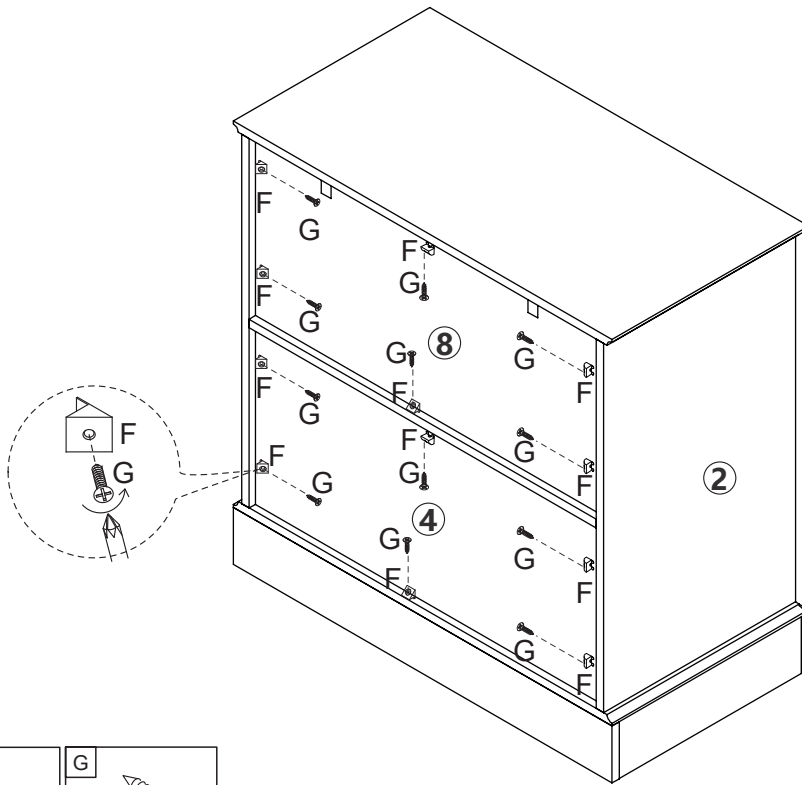
14. Attach parts to the panel.



15. Attach the plastic buckles and screws.

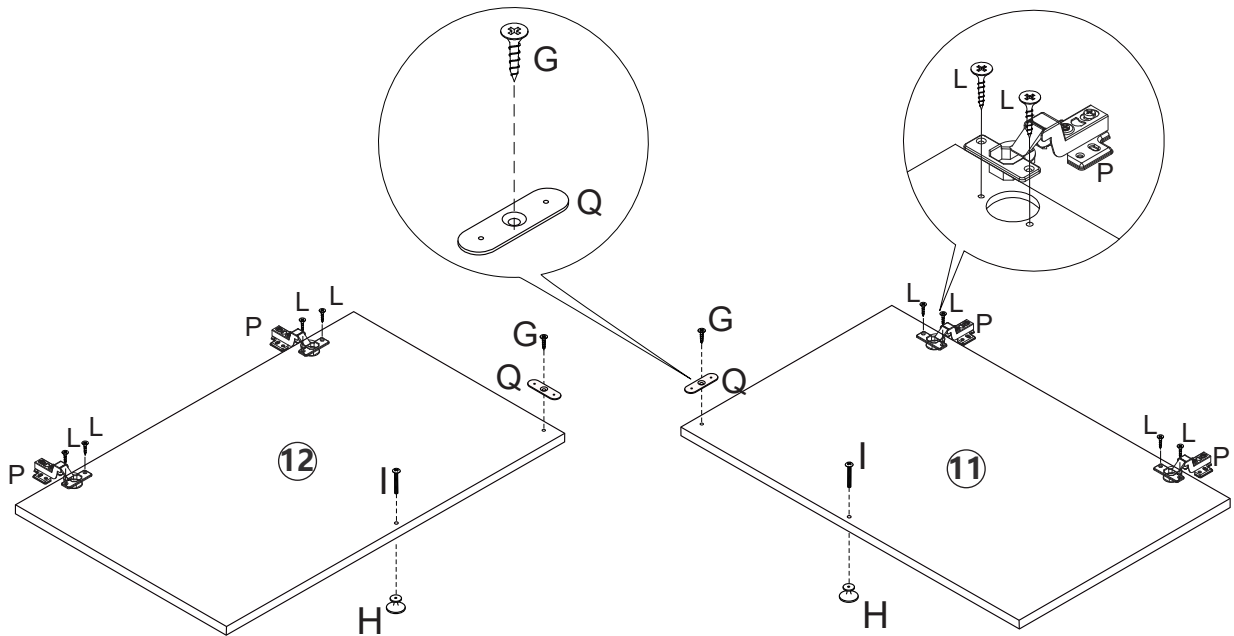


NB: Before tightening the plastic buckles and screws, please ensure the frame is square



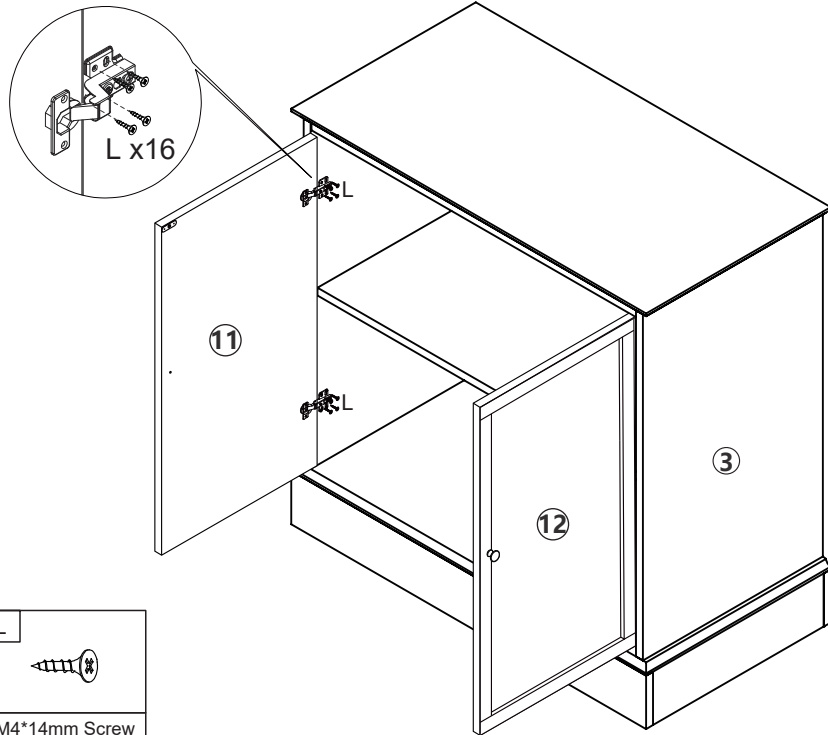
F	G
Plastic Buckle	M3*12mm Screw
12pcs	12pcs

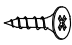
16. Attach parts to the door panel.

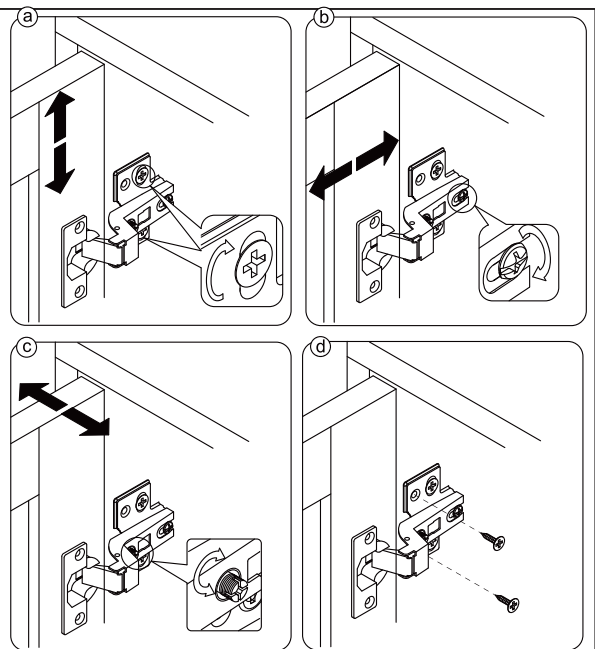


H	I	Q	G	P	L
Handle	M4*20mm Bolt	Door Catch	M3*12mm Screw	Hinge	M4*14mm Screw
2pcs	2pcs	1pc	2pcs	4pcs	8pcs

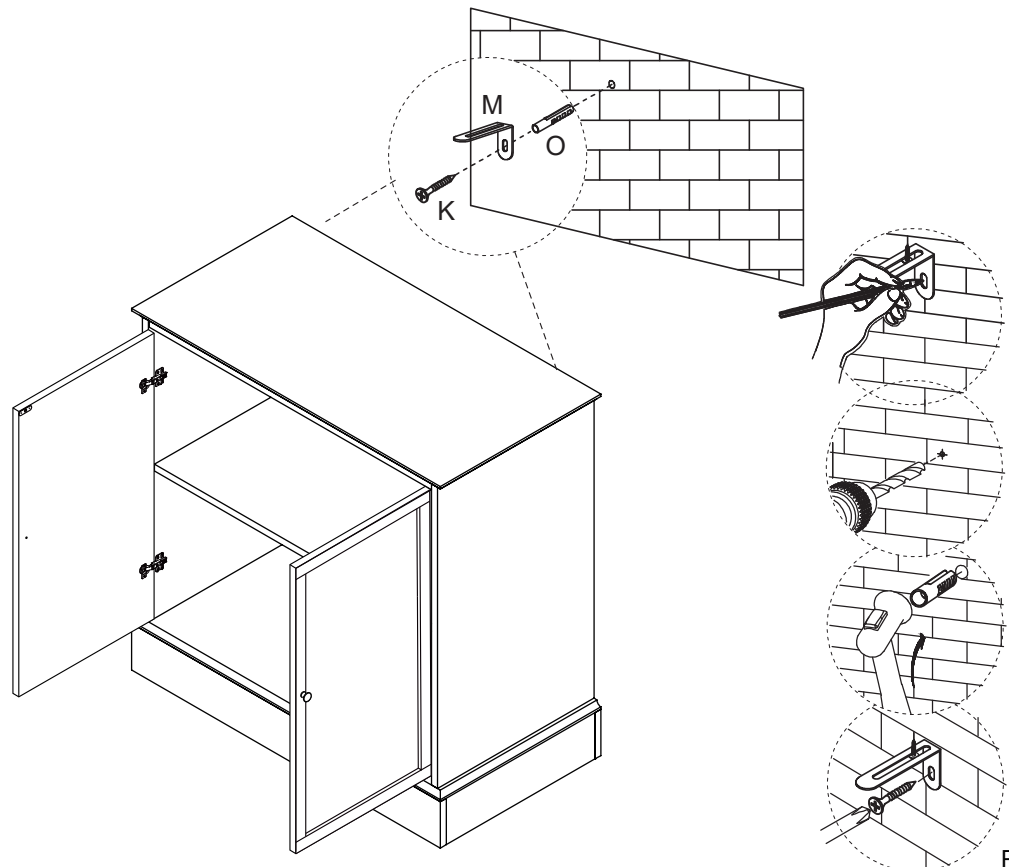
17. Assemble the door panel onto the cabinet and adjust it as shown in the picture, Make the door gap even and smooth.

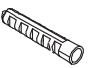



L	
M4*14mm Screw	
16pcs	



18. Drill holes in the wall, insert expansion bolts, and then fix the furniture to the wall with screws.



O	
M8*40mm Wall Anchor	
2pcs	

K	
M4*40mm Screw	
2pcs	