

# DUSK.COM

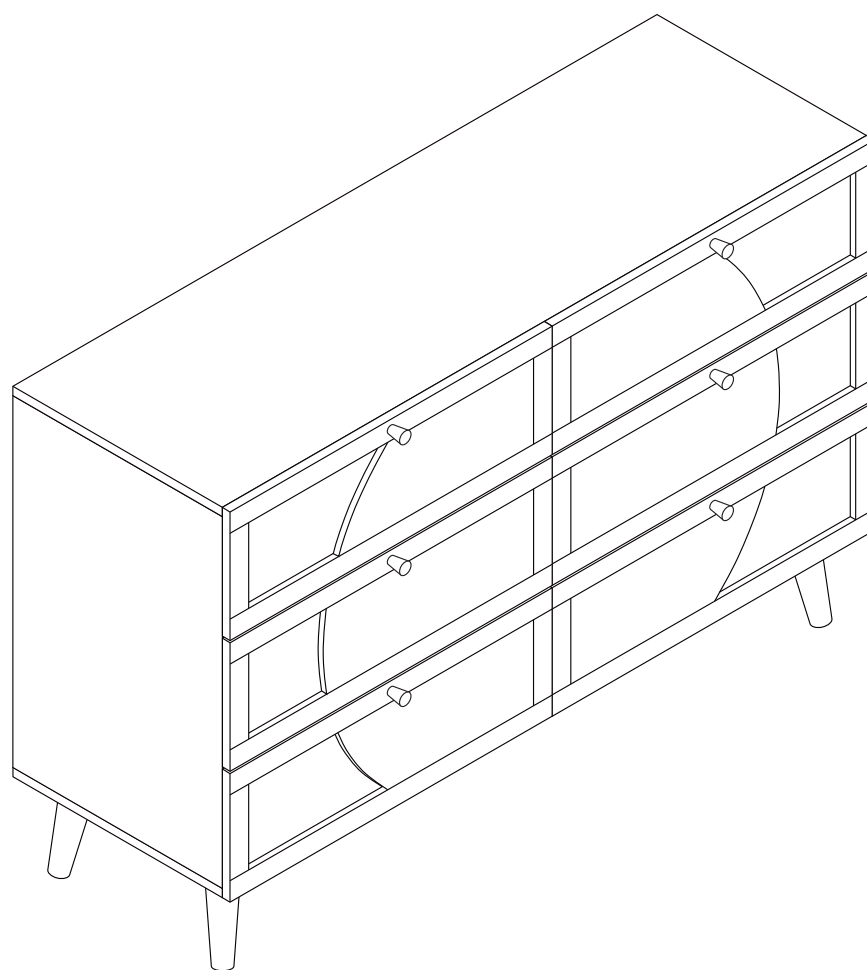
LIVING | BEDROOM | DINING

Range Name: Raven

Box Dimensions: W136xD48xH26.5 (cm)

Product Dimensions: W120xD40xH78.5 (cm)

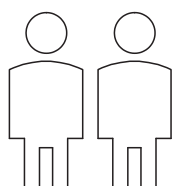
## 6 Drawer Chest



THIS INSTRUCTION BOOKLET CONTAINS IMPORTANT SAFETY INFORMATION.  
PLEASE READ AND KEEP FOR FUTURE REFERENCE.



Up to 90 minutes  
assembly time



Two person  
assembly



Electric screwdriver  
prohibited

This product is intended for domestic use only, not for commercial purposes.

V-1.0  
P-1/13

# IMPORTANT

## ASSEMBLY TIP

Before you begin, it's best to identify all of the parts and fittings to build your 6 Drawer Chest frame. We advise laying these out on the floor to check you have everything, and to familiarise yourself with all of the parts and fittings before building.

## TOP TIP

We recommend that you assemble the bedside in the room you'd like it to be located. This will help prevent any risk of damage to the frame whilst moving it.

## SAFETY AND CARE

1. It's important to ensure children and animals are kept away from the assembly area, as there are small components used in this product which could present a choking hazard. All plastic and wrapping materials should also be kept away from children and animals to prevent any risk of suffocation.
2. Do not stand on your product.
3. Always use the item on firm level ground, ensuring all legs remain in contact with the ground.
4. Place heaviest items in the lowest drawers.
5. Do not set TV or other heavy objects on top of the product.
6. Children should always be under supervision whilst using this product. Never allow children to climb on the drawers.
7. Never keep more than one drawer open at the same time.
8. In order to prevent overturning, this product must be used with the wall attachment device provided.
9. Serious or fatal crushing injuries can occur from tipping furniture.

## HELP AND SUPPORT

Please contact our customer service team on 0113 519 0311 if you have any questions or issues with your purchase.

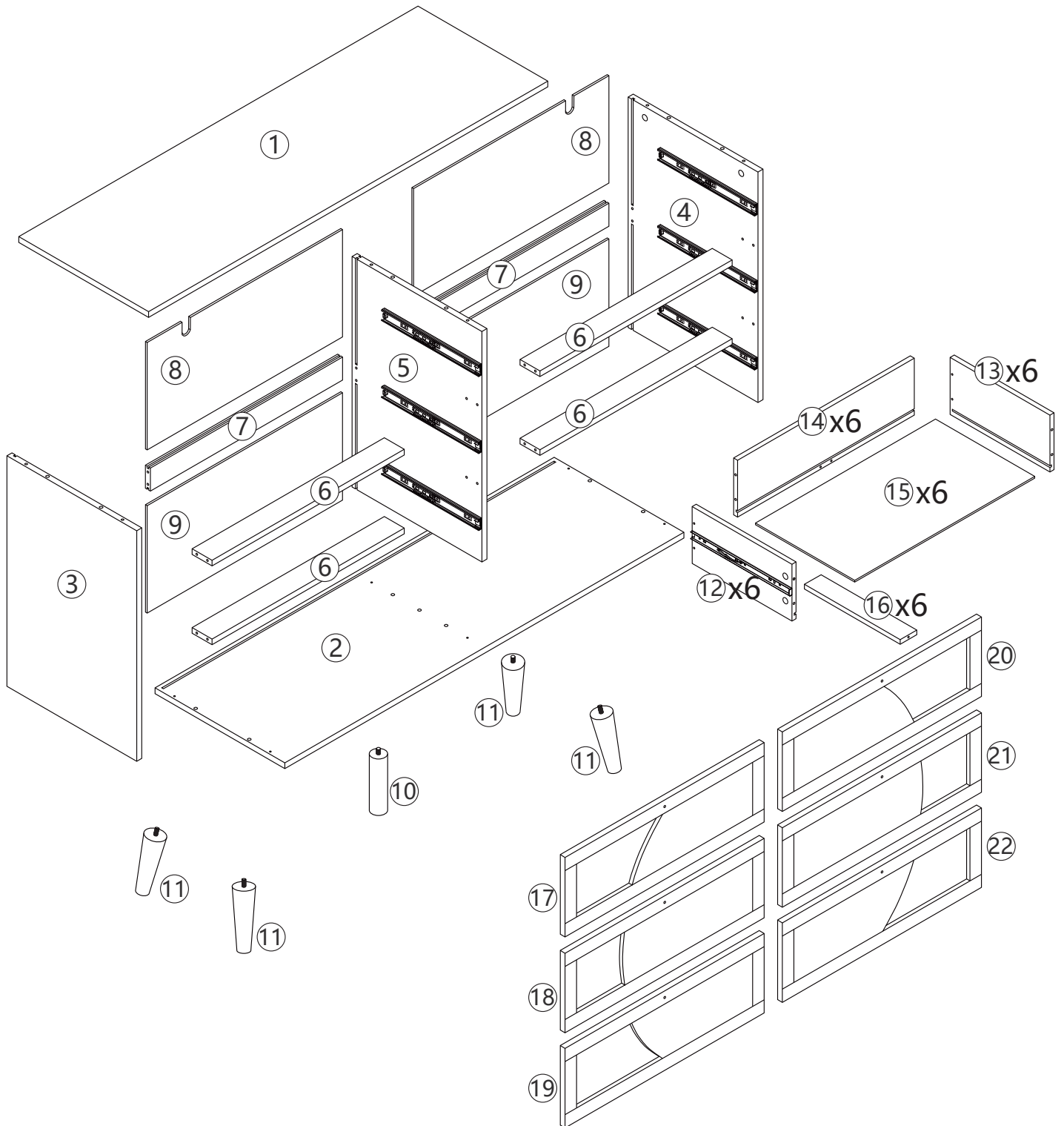
## RECYCLING

Please ensure that packaging is disposed of in a safe and environmentally friendly way, and recycle where possible. Please keep your assembly instructions safe to refer back to in the future.

## CARE AND MAINTENANCE

1. Only clean using a damp cloth, do not use bleach or abrasive cleaners as they may damage the finish over time.
2. Do not use a very wet cloth or allow any liquid to contact with the surface for a long period of time. Wipe any spillage immediately. Absorption can cause wood to warp or finishes to de-laminate.
3. Do not scrub or rub the surface when cleaning.
4. Do not drag the 6 Drawer Chest when moving, lift it off the floor instead.
5. Use a placemat or a coaster when putting hot items (e.g. hot drinks and dishes) on the wood surface.
6. It is not recommended to place the item next to sources of heat such as radiators, fires or directly exposed to sunlight. This may cause the wood to crack, split or fade due to the heat and humidity.
7. Wood will mellow and change colour over time, we recommend that ornaments and items placed on the surface to be moved regularly to prevent uneven mellowing.
8. Regularly check all fixings to ensure none have come loose. Re-tighten if necessary.
9. Avoid sharp items such as a screwdriver or any pointy tools.

# Parts list



# Parts list

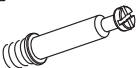








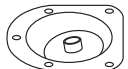


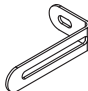

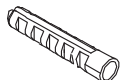
Before you begin building your 6 Drawer Chest, please take a moment to read through the instructions and make sure that you have all the relevant parts listed on the parts check list.

Part Number	Part Description	Quantity	Box No
1	Top Panel	1 pc	Box1
2	Bottom Panel	1 pc	Box1
3	Left Side Panel With Slide Pre-assembled	1 pc	Box1
4	Right Side Panel With Slide Pre-assembled	1 pc	Box1
5	Middle Panel With Slide Pre-assembled	1 pc	Box1
6	Front Support Bar	4 pcs	Box1
7	Back Support Bar	2 pcs	Box1
8	Back Panel	2 pcs	Box1
9	Back Panel	2 pcs	Box1
10	Centre Leg	1 pc	Box1
11	Leg	4 pcs	Box1



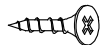
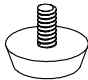
Part Number	Part Description	Quantity	Box No
12	Drawer Left Side With Slide Pre-assembled	6 pcs	Box1
13	Drawer Right Side With Slide Pre-assembled	6 pcs	Box1
14	Drawer Back Side	6 pcs	Box1
15	Drawer Bottom	6 pcs	Box1
16	Drawer Bottom Support Bar	6 pcs	Box1
17	Left Drawer Front	1 pc	Box1
18	Left Drawer Front	1 pc	Box1
19	Left Drawer Front	1 pc	Box1
20	Right Drawer Front	1 pc	Box1
21	Right Drawer Front	1 pc	Box1
22	Right Drawer Front	1 pc	Box1

## Fittings

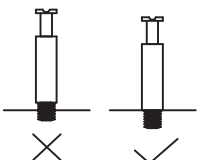
Please check you have all the fittings listed below with your product in Box1.

<b>A</b>  M5*35mm Cam Lock Screw 60pcs+4pcs extra	<b>B</b>  Ø15*10mm Cam Lock 60pcs+4pcs extra	<b>C</b>  Ø8*30mm Dowel 12pcs+1pc extra	<b>D</b>  M4*35mm Screw 36pcs+4pc extra	<b>E</b>  Cover 24pcs+3pc extra	<b>F</b>  Plastic Buckle 16pcs+2pcs extra
<b>G</b>  M3*12mm Screw 16pcs+2pcs extra	<b>H</b>  Handle 6pcs	<b>I</b>  M4*18mm Bolt 6pcs	<b>J</b>  Iron Plate 4pcs	<b>K</b>  M4*40mm Screw 8pcs+1pc extra	<b>L</b>  M4*14mm Screw 20pcs+2pcs extra
<b>M</b>  Wall Bracket 2pcs	<b>N</b>  M4*12mm Screw 2pcs	<b>O</b>  M8*40mm Wall Anchor 2pcs			

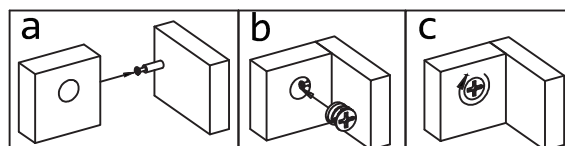
### Pre- assembled Fitting

<b>Q1</b>  Slide 12pcs	<b>Q2</b>  Slide 12pcs	<b>R</b>  M3.5*12mm Screw 72pcs	<b>S</b>  Adjustable Foot 1pc
--	--	--	---

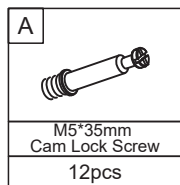
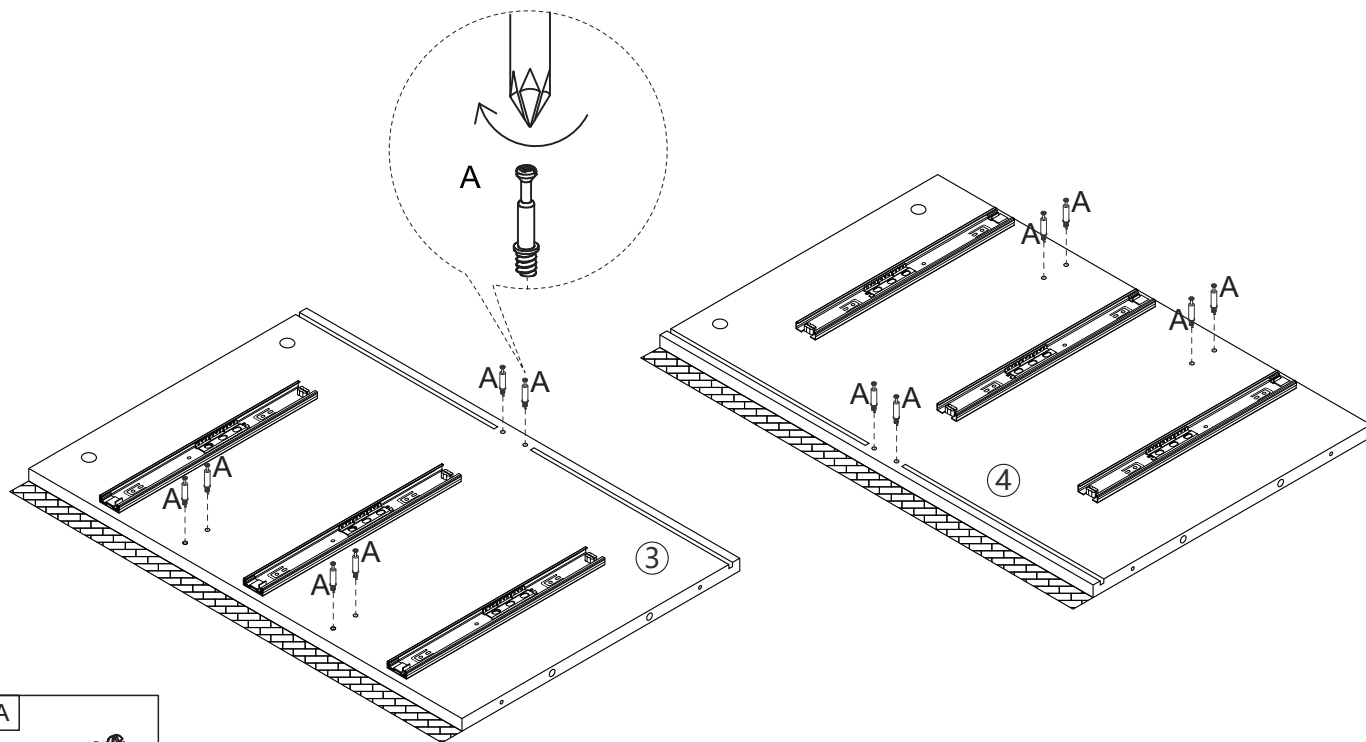
Ensure the cam lock screws are installed correctly, as indicated by the "check mark" below.



Refer to the illustration below to correctly use the cam lock screws for assembling the panels.

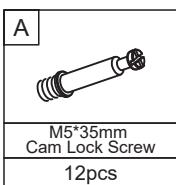
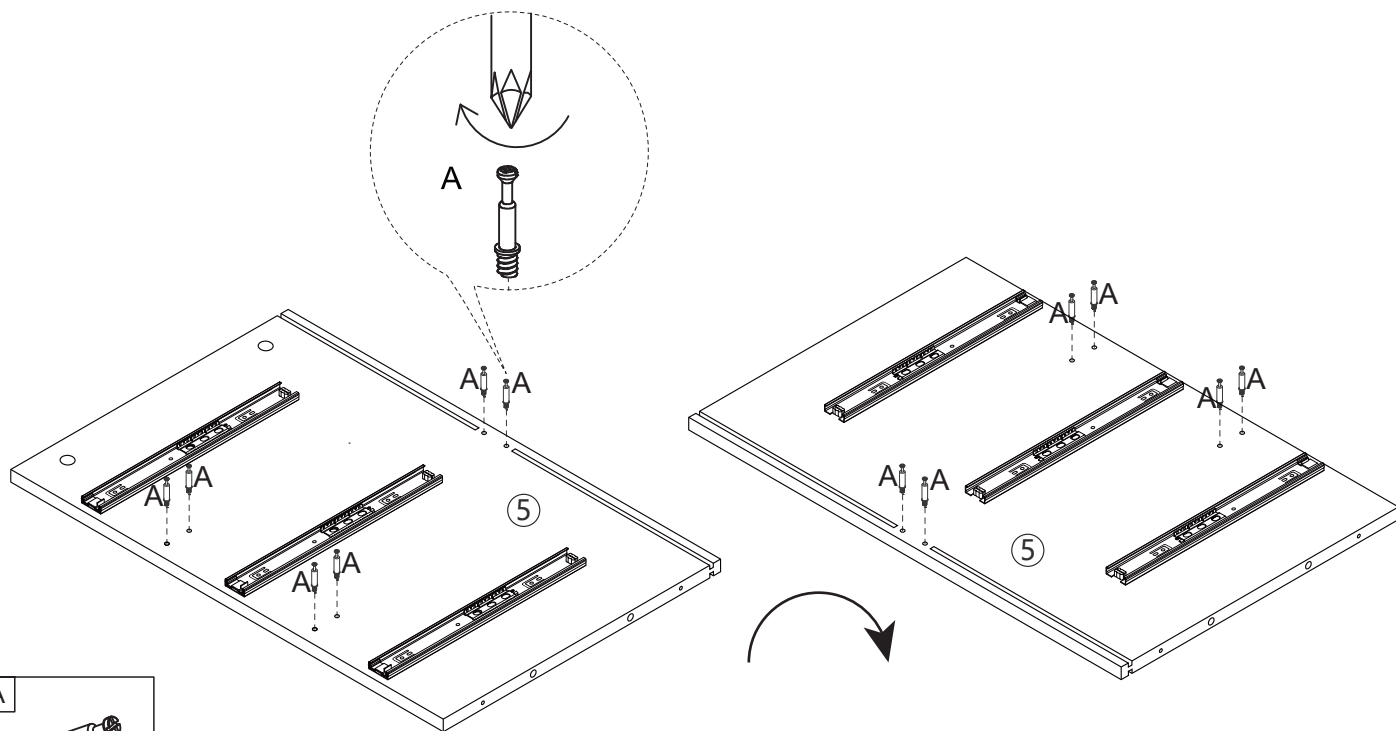


## 1. Attach parts to the panel.

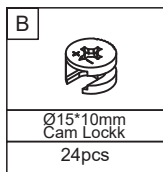
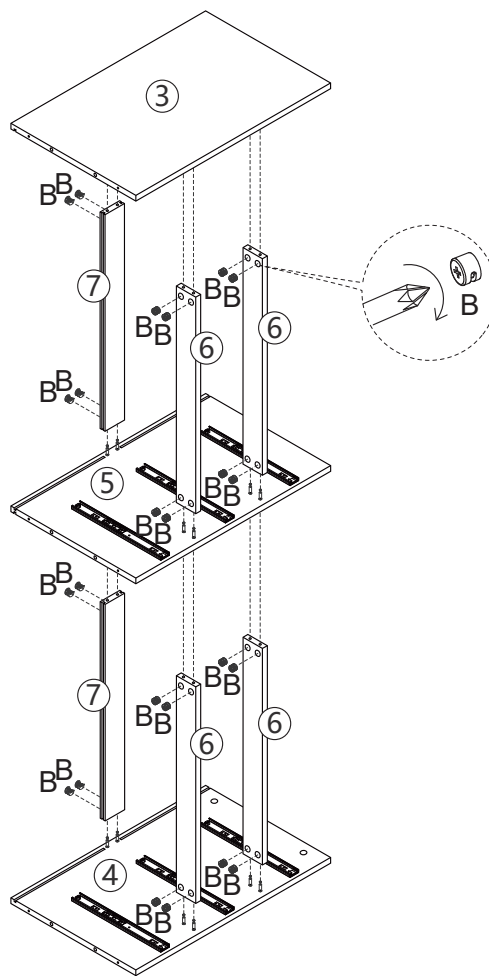


Put an EPS foam pad under the panels for surface scratch protection.

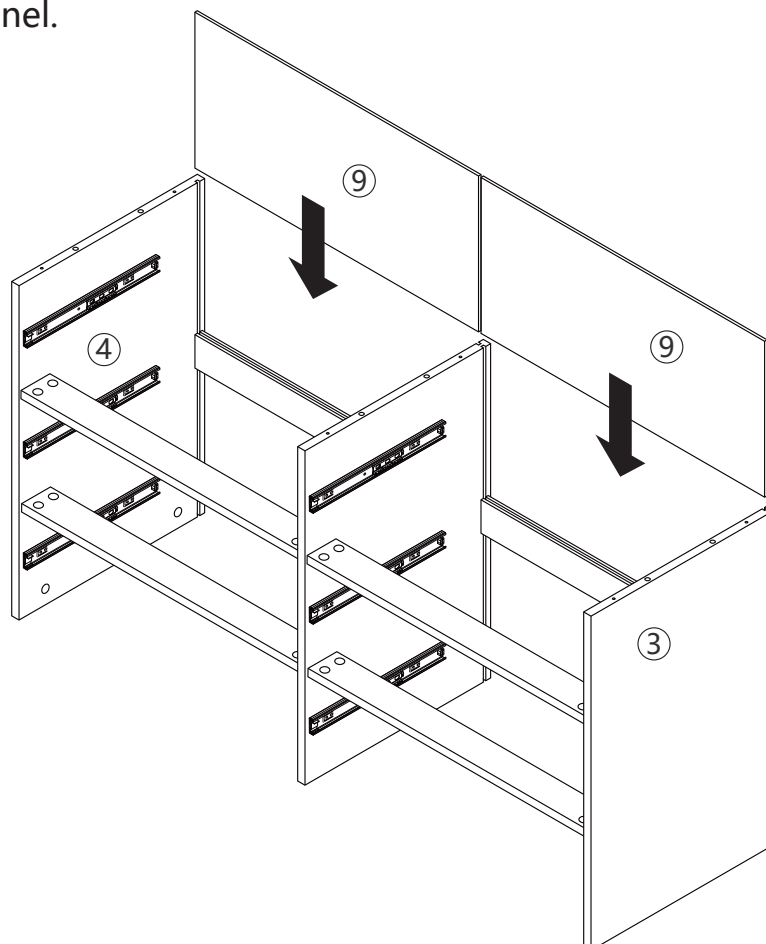
## 2. Attach parts to the panel.



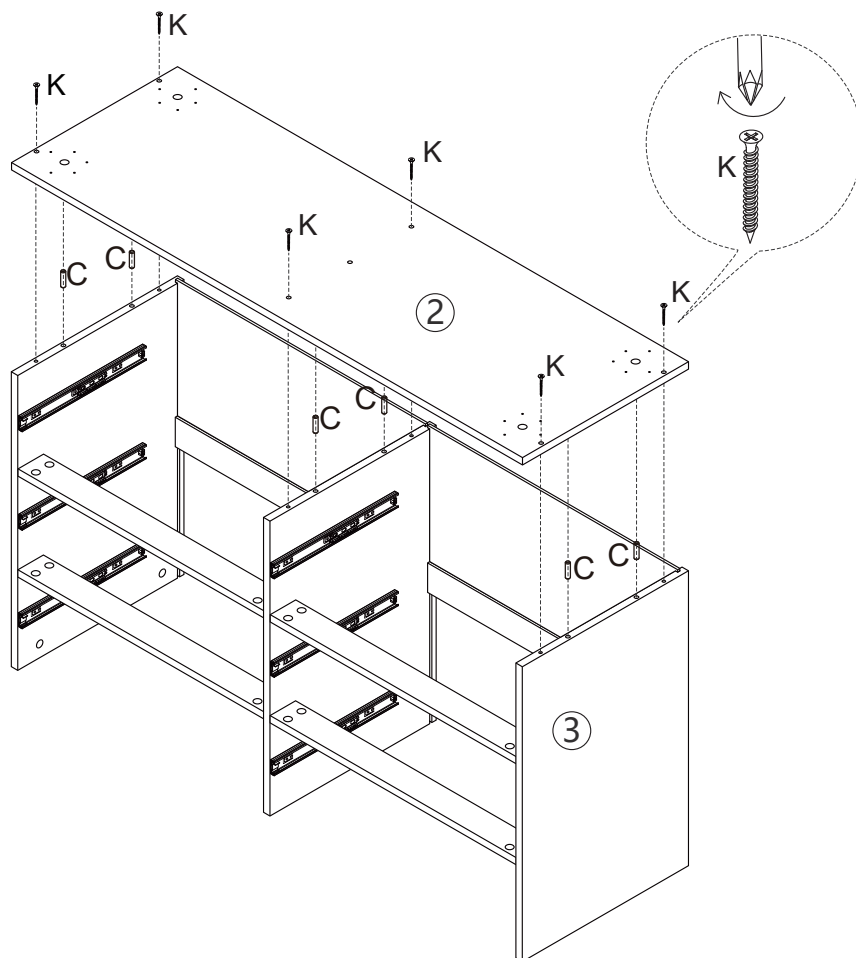
3. Assemble the left and right side panels and the middle vertical panel with horizontal bars.





4. Assemble back panel.

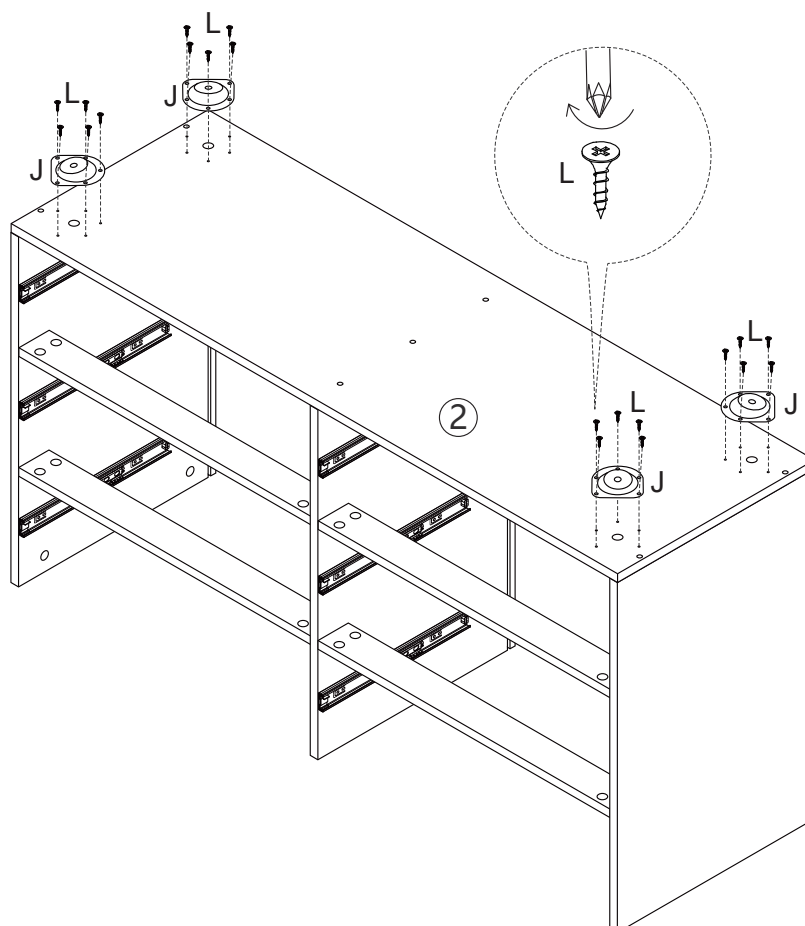


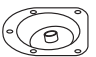
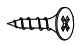
## 5. Attach panels to the bottom.



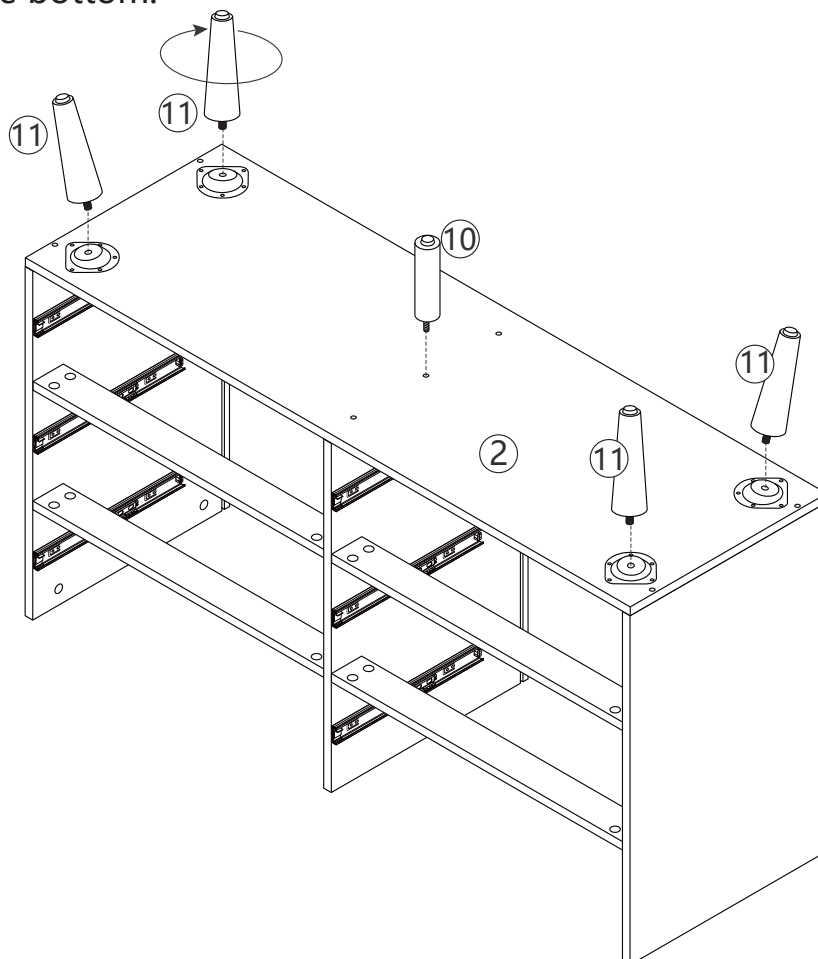
C		K	
	Ø8*30mm Dowel		M4*40mm Screw
	6pcs		6pcs

## 6. Attach parts to the bottom panel.

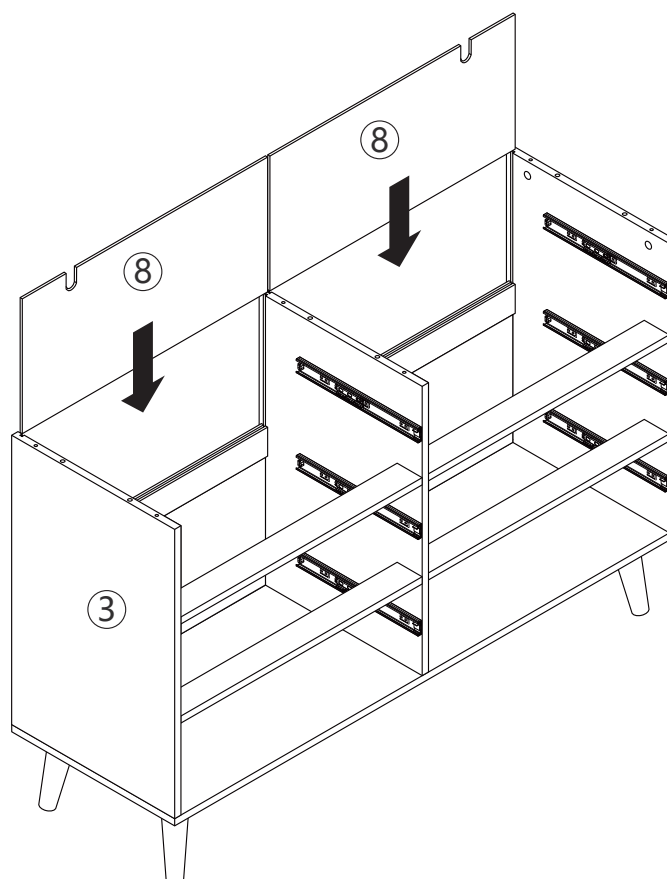


J		L	
	Iron Plate		M4*14mm Screw
	4pcs		20pcs

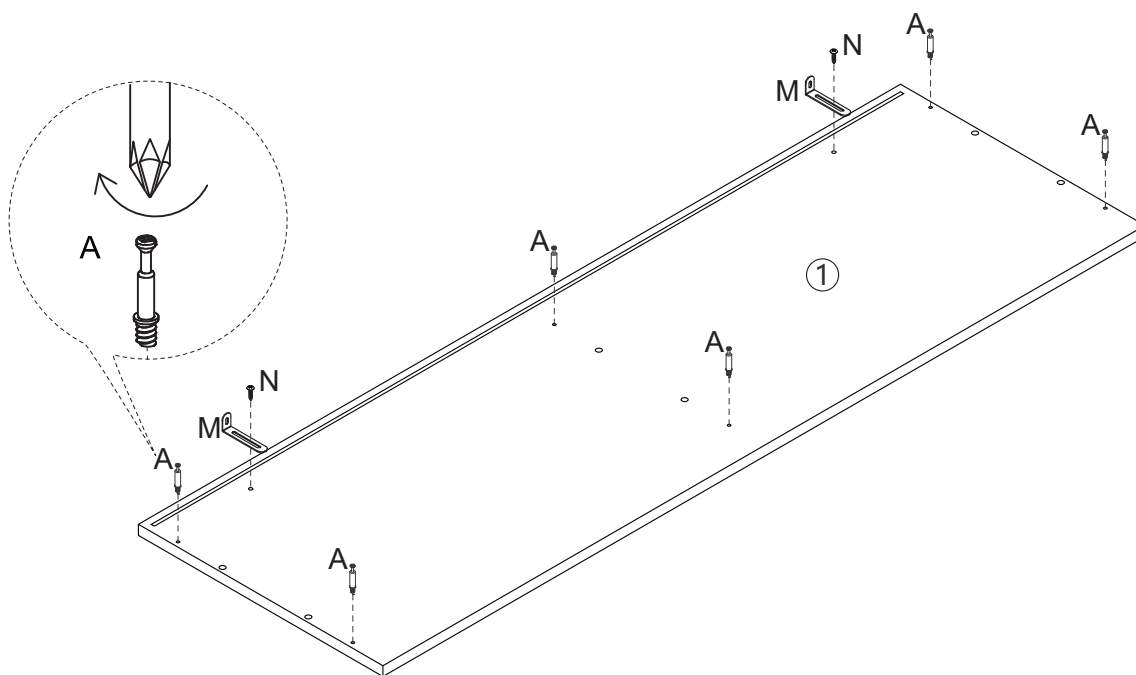
7. Attach Legs to the bottom.

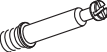




8. Assemble back panel.

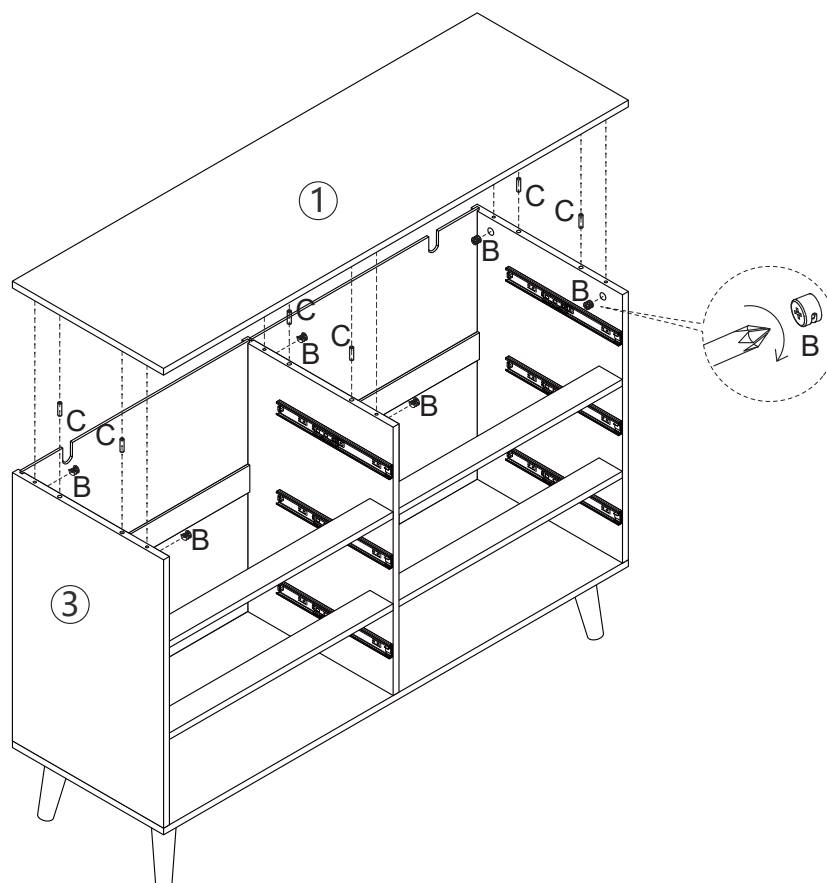




## 9. Attach parts to the top panel.



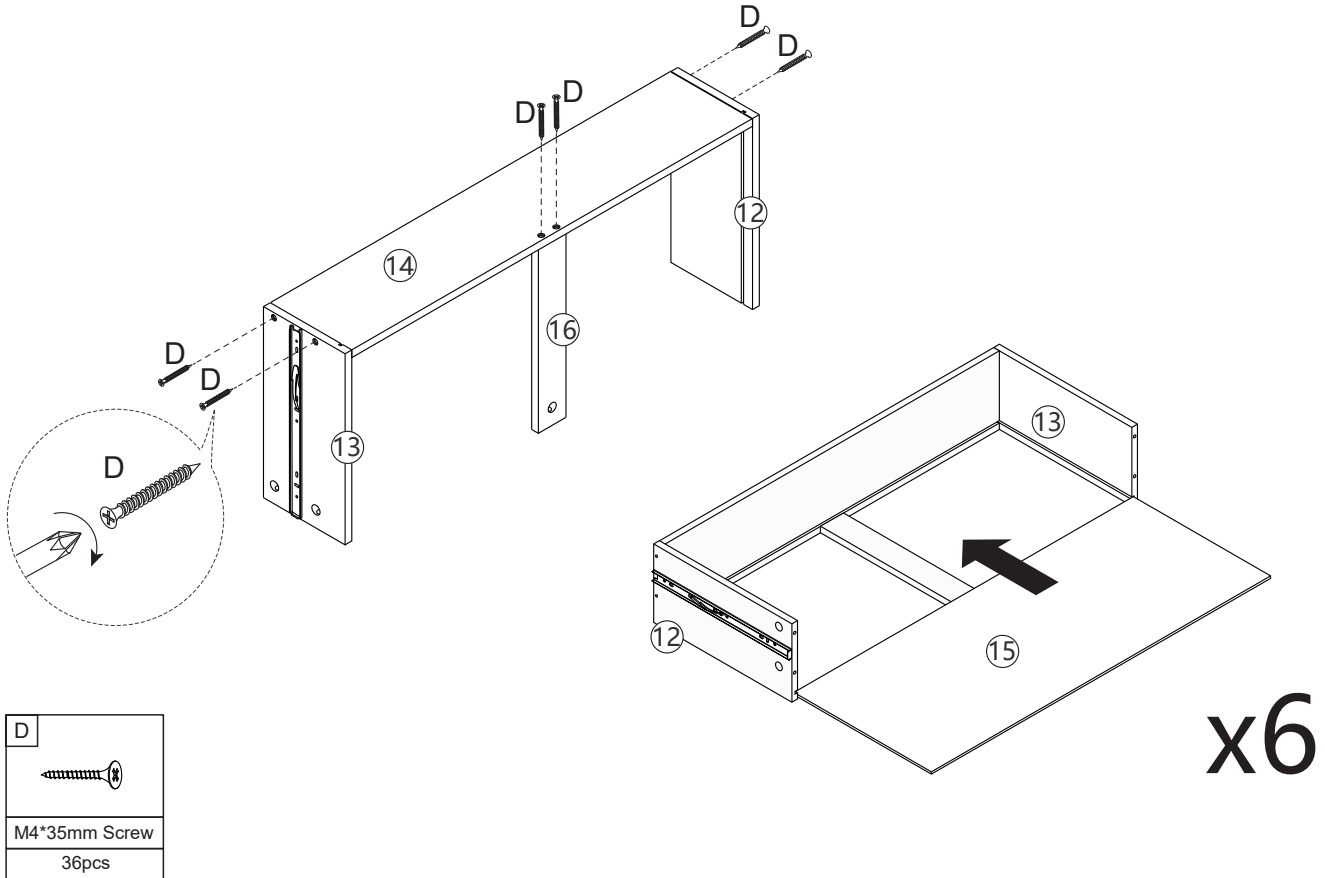
<b>A</b> 	<b>M</b> 	<b>N</b> 
M5*35mm Cam Lock Screw 6pcs	Wall Bracket 2pcs	M4*12mm Screw 2pcs

## 10. Attach the top panel to the frame.

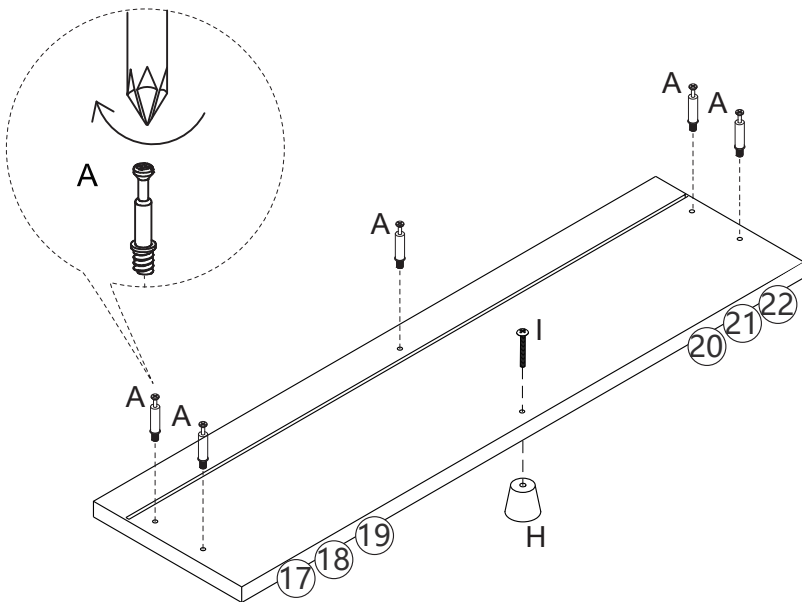


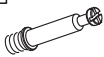


<b>B</b> 	<b>C</b> 
Ø15*10mm Cam Lock 6pcs	Ø8*30mm Dowel 6pcs

11. Assemble the drawer by following the steps shown in the illustration below.

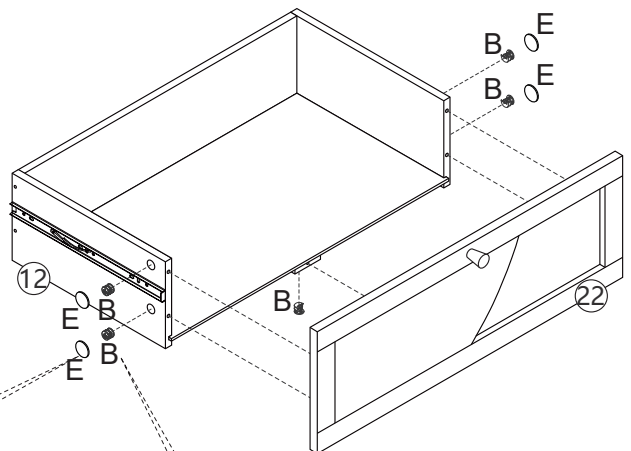
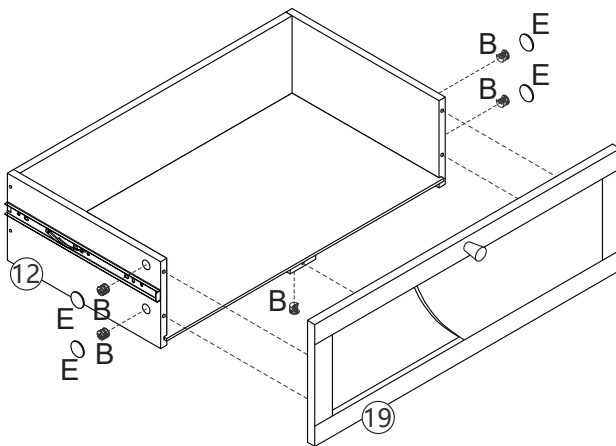
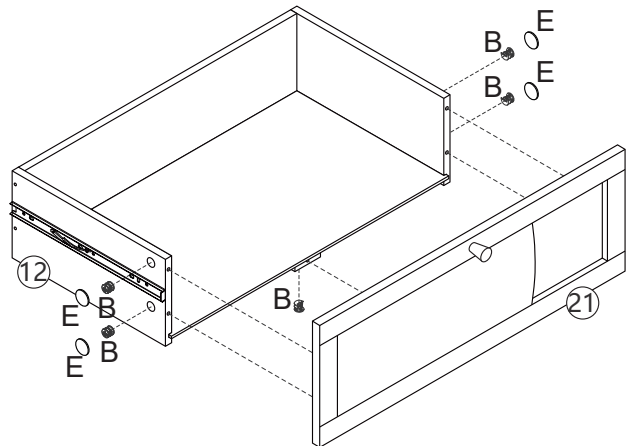
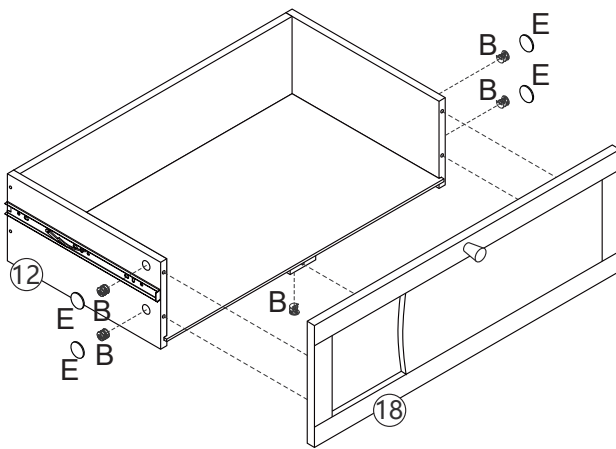
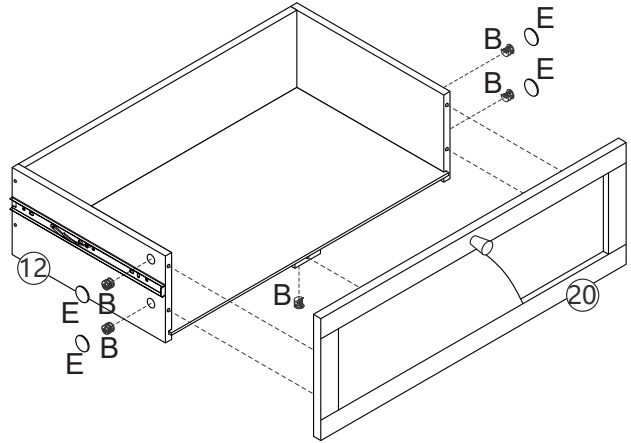
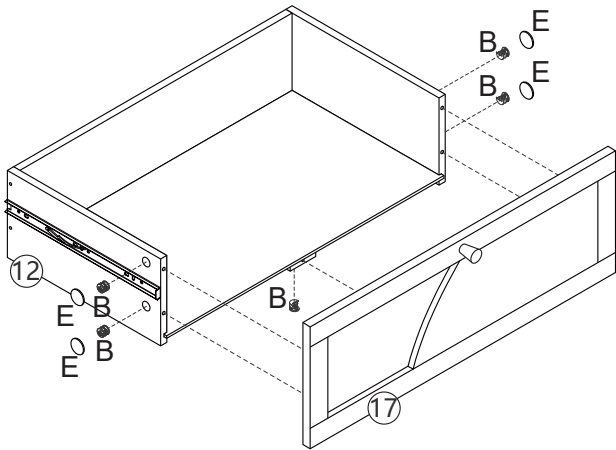




12. Attach parts to the drawer panel.

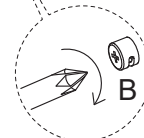
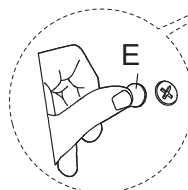


A	H	I
		
M5*35mm Cam Lock Screw	Handle	M4*18mm Bolt
30pcs	6pcs	6pcs

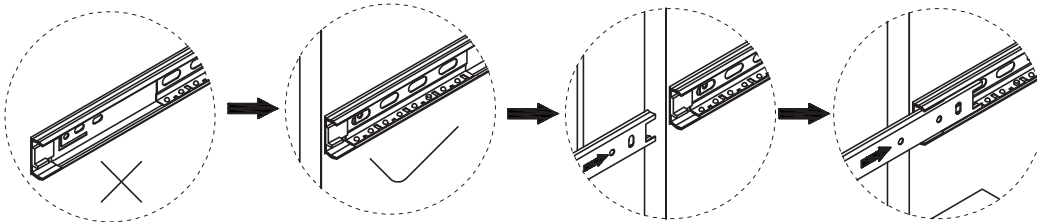
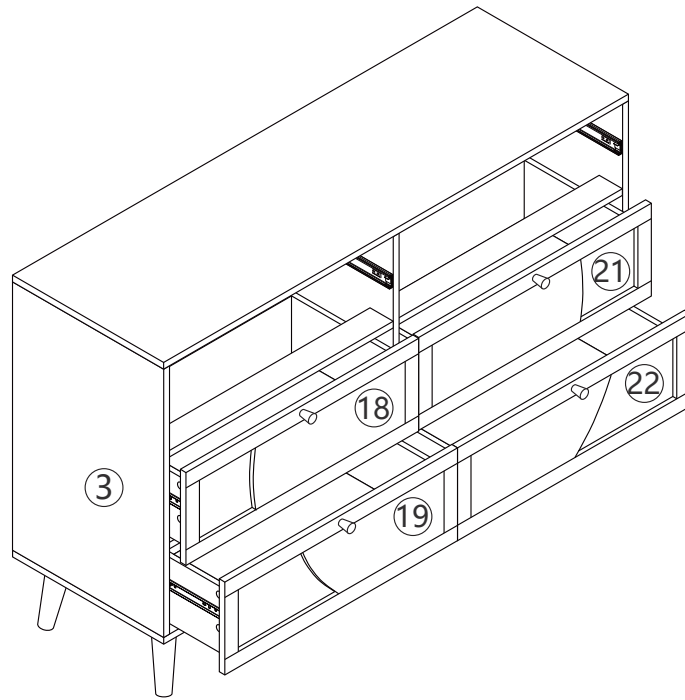
13. Assemble the drawer by following the steps shown in the illustration below.



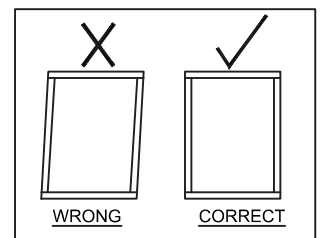
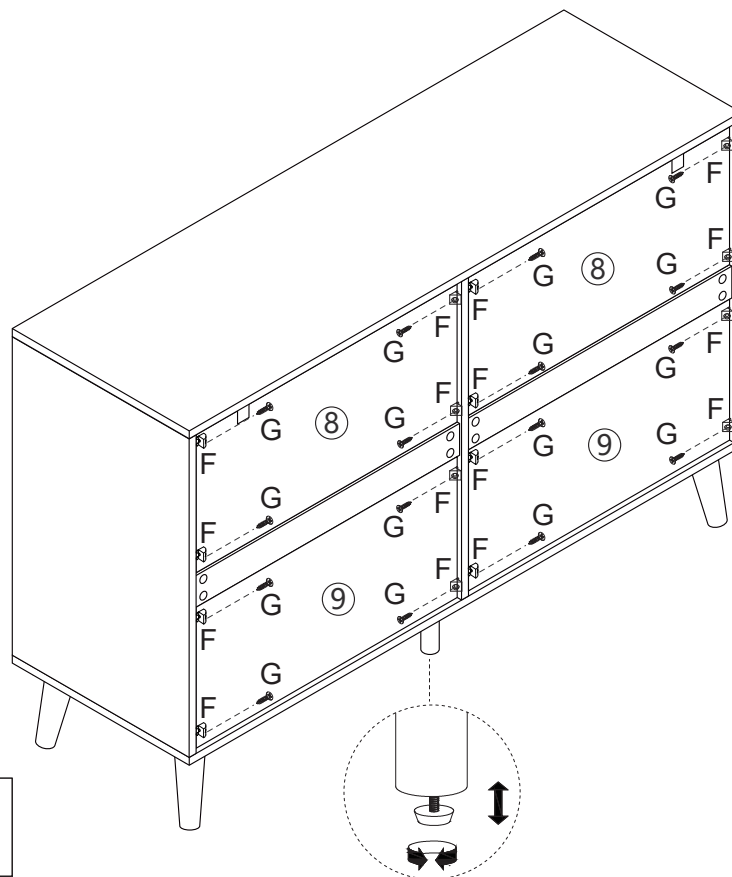
<p><b>B</b></p> 	<p><b>E</b></p> 
<p>Ø15*10mm Cam Lockk 30pcs</p>	<p>Cover 24pcs</p>





14. Assemble middle and bottom drawer in the cabinet.



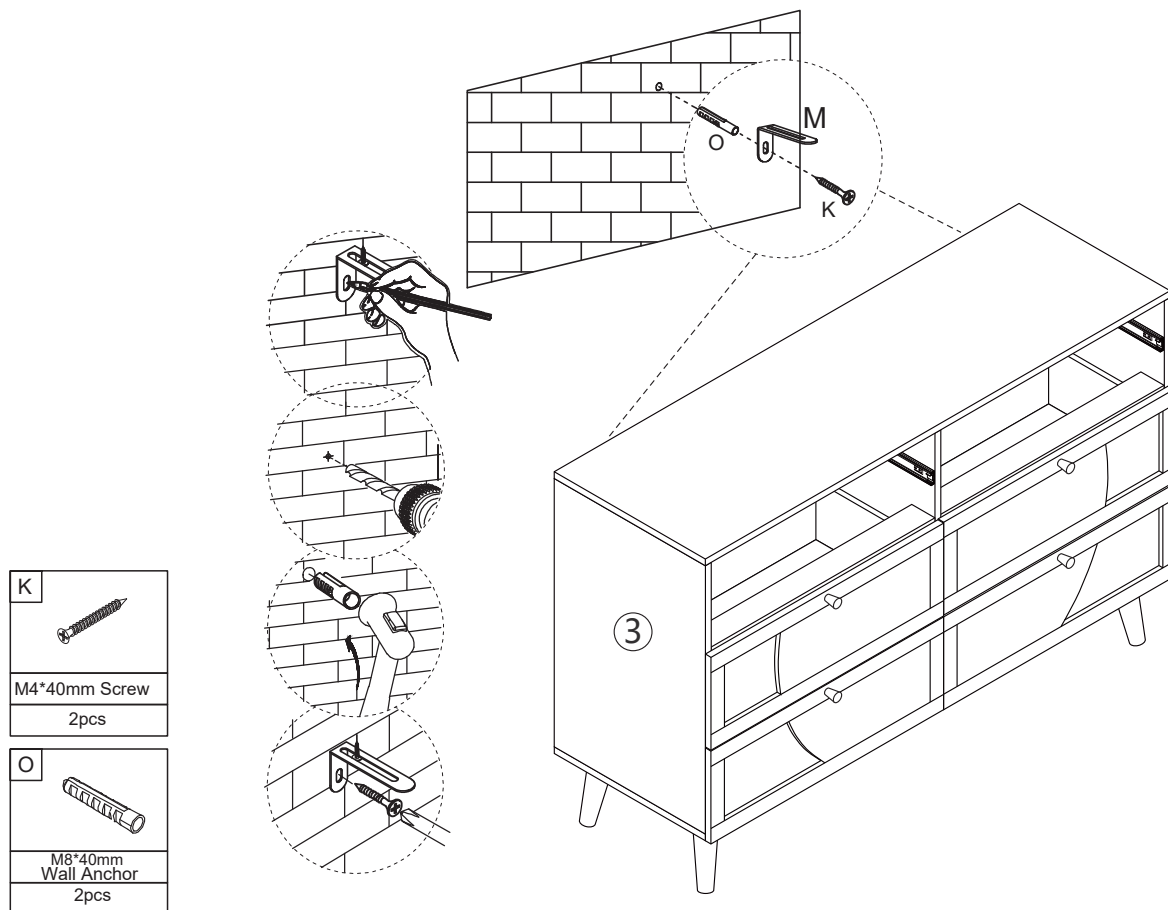
15. Attach the plastic buckles and screws etc.



NB: Before tightening the plastic buckles and screws, please ensure the frame is square

<p>F</p> 	<p>G</p> 
<p>Plastic Buckle 16pcs</p>	<p>M3*12mm Screw 16pcs</p>

16. Drill holes in the wall, insert expansion bolts, and then fix the furniture to the wall with screws.



17. Assemble top drawer in the cabinet.

