

DUSK.COM

LIVING | BEDROOM | DINING

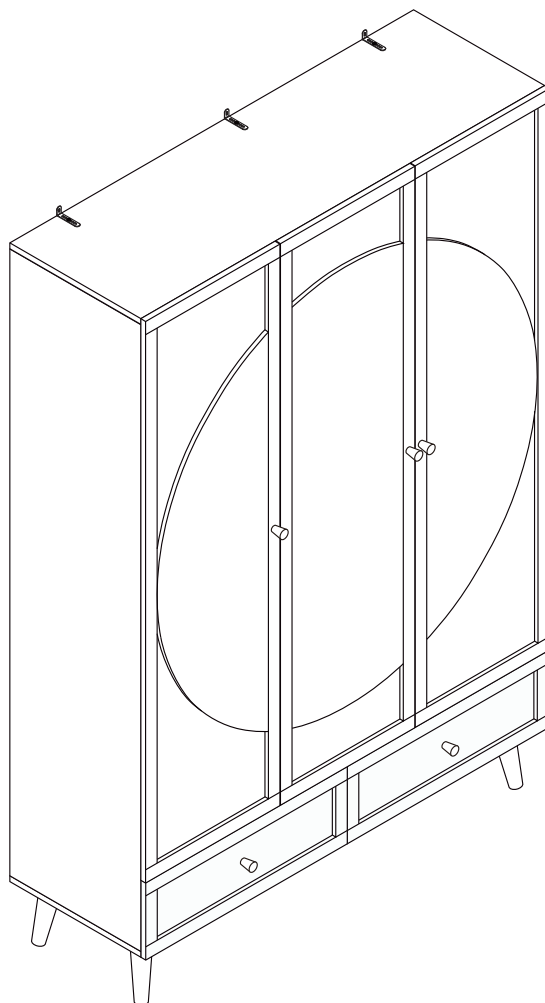
Range Name: Raven

Box1 Dimensions: W177xD61xH19 (cm)

Box2 Dimensions: W135xD62xH24 (cm)

Product Dimensions: W120xD55xH180 (cm)

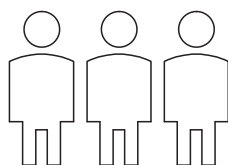
3 door wardrobe



THIS INSTRUCTION BOOKLET CONTAINS IMPORTANT SAFETY INFORMATION.
PLEASE READ AND KEEP FOR FUTURE REFERENCE.



Up to 120 minutes
assembly time



Three person
assembly



Electric screwdriver
prohibited

This product is intended for domestic use only, not for commercial purposes.

V-1.0
P-1/19

IMPORTANT

ASSEMBLY TIP

Before you begin, it's best to identify all of the parts and fittings to build your 3 door wardrobe frame. We advise laying these out on the floor to check you have everything, and to familiarise yourself with all of the parts and fittings before building.

TOP TIP

We recommend that you assemble the bedside in the room you'd like it to be located. This will help prevent any risk of damage to the frame whilst moving it.

SAFETY AND CARE

1. It's important to ensure children and animals are kept away from the assembly area, as there are small components used in this product which could present a choking hazard. All plastic and wrapping materials should also be kept away from children and animals to prevent any risk of suffocation.
2. Do not stand on your product.
3. Always use the item on firm level ground, ensuring all legs remain in contact with the ground.
4. Place heaviest items in the lowest drawers.
5. Do not set TV or other heavy objects on top of the product.
6. Children should always be under supervision whilst using this product. Never allow children to climb on the drawers.
7. Never keep more than one drawer open at the same time.
8. In order to prevent overturning, this product must be used with the wall attachment device provided.
9. Serious or fatal crushing injuries can occur from tipping furniture.

HELP AND SUPPORT

Please contact our customer service team on 0113 519 0311 if you have any questions or issues with your purchase.

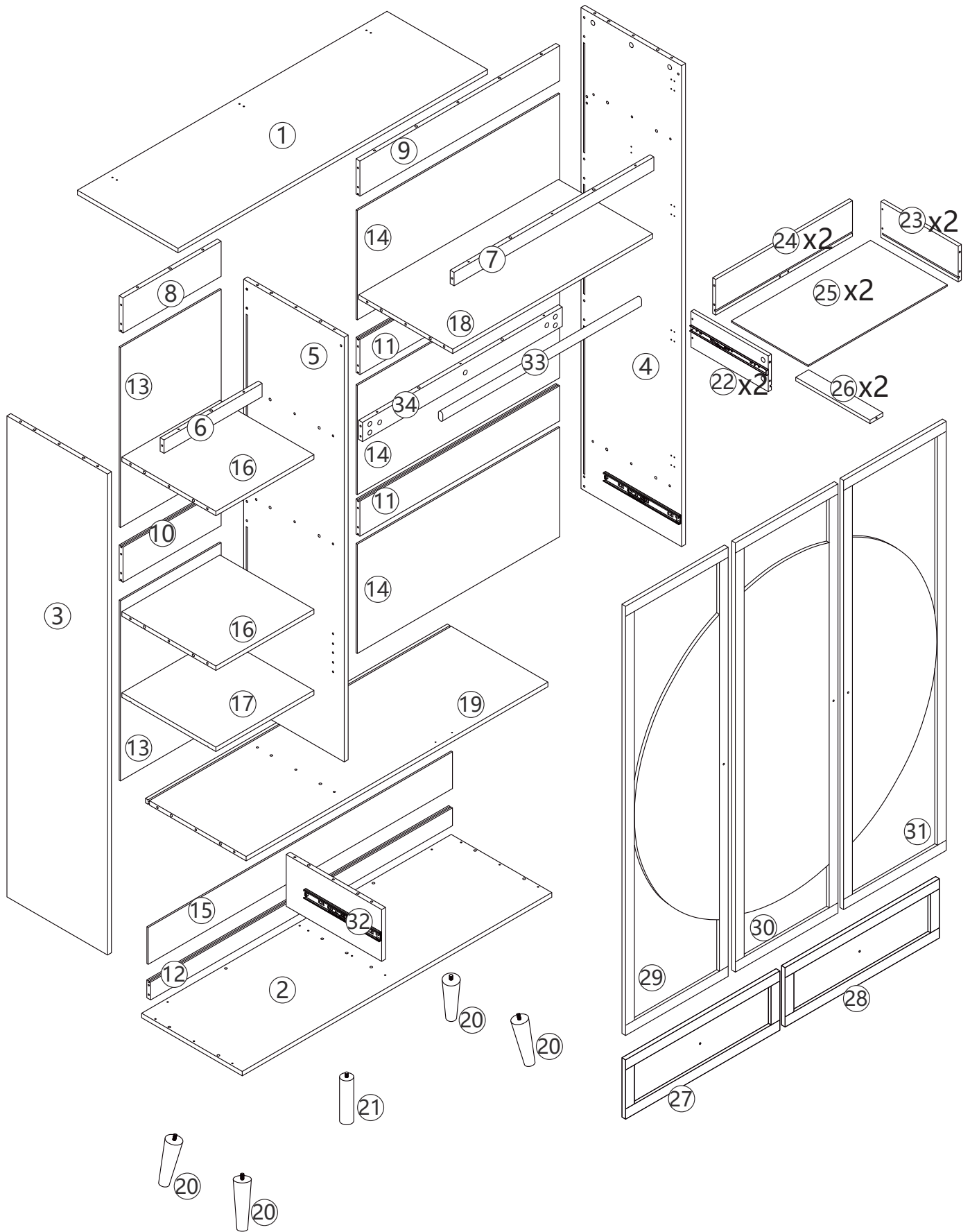
RECYCLING

Please ensure that packaging is disposed of in a safe and environmentally friendly way, and recycle where possible. Please keep your assembly instructions safe to refer back to in the future.

CARE AND MAINTENANCE

1. Only clean using a damp cloth, do not use bleach or abrasive cleaners as they may damage the finish over time.
2. Do not use a very wet cloth or allow any liquid to contact with the surface for a long period of time. Wipe any spillage immediately. Absorption can cause wood to warp or finishes to de-laminate.
3. Do not scrub or rub the surface when cleaning.
4. Do not drag the 3 door wardrobe when moving, lift it off the floor instead.
5. Use a placemat or a coaster when putting hot items (e.g. hot drinks and dishes) on the wood surface.
6. It is not recommended to place the item next to sources of heat such as radiators, fires or directly exposed to sunlight. This may cause the wood to crack, split or fade due to the heat and humidity.
7. Wood will mellow and change colour over time, we recommend that ornaments and items placed on the surface to be moved regularly to prevent uneven mellowing.
8. Regularly check all fixings to ensure none have come loose. Re-tighten if necessary.
9. Avoid sharp items such as a screwdriver or any pointy tools.

Parts list



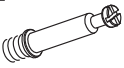


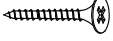



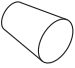

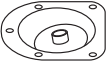

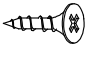


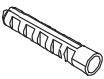
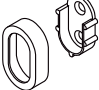
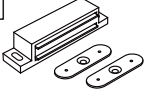

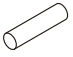
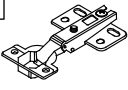
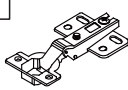

Parts list

Before you begin building your 3 door wardrobe, please take a moment to read through the instructions and make sure that you have all the relevant parts listed on the parts check list.



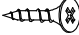
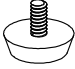
Part Number	Part Description	Quantity	Box No
1	Top Panel	1 pc	Box2
2	Bottom Panel	1 pc	Box2
3	Left Side Panel With Slide Pre-assembled	1 pc	Box1
4	Right Side Panel With Slide Pre-assembled	1 pc	Box1
5	Middle Panel	1 pc	Box1
6	Support Bar	1 pc	Box2
7	Support Bar	1 pc	Box2
8	Back Support Bar	1 pc	Box2
9	Back Support Bar	1 pc	Box2
10	Back Support Bar	1 pc	Box2
11	Back Support Bar	2 pcs	Box2
12	Bottom Support Bar	1 pc	Box2
13	Back Panel	2 pcs	Box2
14	Back Panel	3 pcs	Box2
15	Back Panel	1 pc	Box2
16	Shelf Side Panel	2 pcs	Box2
17	Shelf Side Panel	1 pc	Box2
18	Shelf Side Panel	1 pc	Box2
19	Shelf Centre Panel	1 pc	Box2
20	Leg	4 pcs	Box2
21	Centre Leg	1 pc	Box2
22	Drawer Left Side With Slide Pre-assembled	2 pcs	Box2
23	Drawer Right Side With Slide Pre-assembled	2 pcs	Box2
24	Drawer Back Side	2 pcs	Box2
25	Drawer Bottom	2 pcs	Box2
26	Drawer Bottom Support Bar	2 pcs	Box2
27	Left Drawer Front	1 pc	Box2
28	Right Drawer Front	1 pc	Box2
29	Left Door Panel	1 pc	Box1
30	Centre Door Panel	1 pc	Box1
31	Right Door Panel	1 pc	Box1
32	Middle Panel With Slide Pre-assembled	1 pc	Box2
33	Hanging Bar	1 pc	Box2
34	Support Bar	1 pc	Box2

Fittings

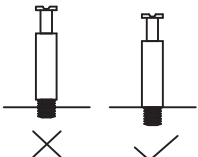
Please check you have all the fittings listed below with your product in Box2.

						
<p>M5*35mm Cam Lock Screw</p> <p>86pcs+4pcs extra</p>	<p>Ø15*10mm Cam Lock</p> <p>86pcs+4pcs extra</p>	<p>Ø8*30mm Dowel</p> <p>42pcs+4pcs extra</p>	<p>M4*35mm Screw</p> <p>12pcs+1pc extra</p>	<p>Cover</p> <p>24pcs+3pcs extra</p>	<p>Plastic Buckle</p> <p>36pcs+3pcs extra</p>	<p>M3*12mm Screw</p> <p>38pcs+4pcs extra</p>
						
<p>Handle</p> <p>5pcs</p>	<p>M4*18mm Bolt</p> <p>3pcs</p>	<p>Iron Plate</p> <p>4pcs</p>	<p>M4*40mm Screw</p> <p>23pcs+2pcs extra</p>	<p>M4*14mm Screw</p> <p>96pcs+4pcs extra</p>	<p>Wall Bracket</p> <p>3pcs</p>	<p>M4*12mm Screw</p> <p>6pcs</p>
						
<p>M8*40mm Wall Anchor</p> <p>3pcs</p>	<p>Tube Bracket</p> <p>2pcs</p>	<p>Door Catch</p> <p>1pc</p>	<p>M3*16mm Screw</p> <p>2pcs</p>	<p>Shelf Support</p> <p>4pcs</p>	<p>Hinge</p> <p>8pcs</p>	<p>Hinge</p> <p>4pcs</p>
						
<p>M4*10mm Bolt</p> <p>2pcs</p>						

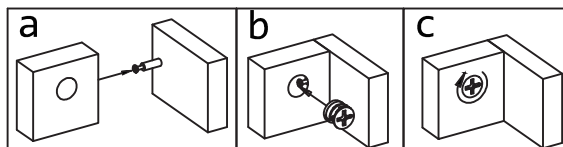
Pre- assembled Fitting

			
<p>Slide</p> <p>4pcs</p>	<p>Slide</p> <p>4pcs</p>	<p>M3.5*12mm Screw</p> <p>24pcs</p>	<p>Adjustable Foot</p> <p>1pc</p>

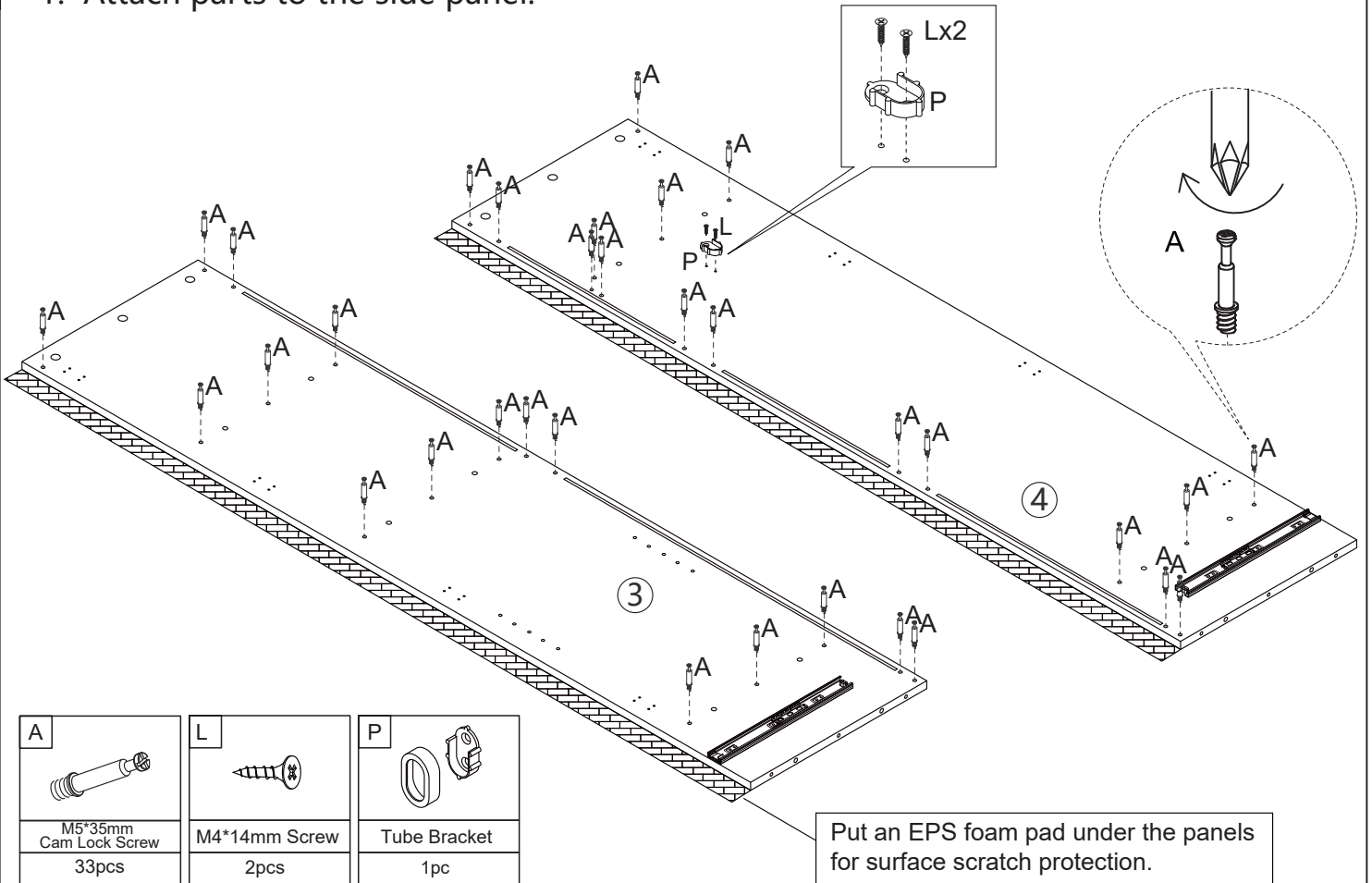
Ensure the cam lock screws are installed correctly, as indicated by the "check mark" below.



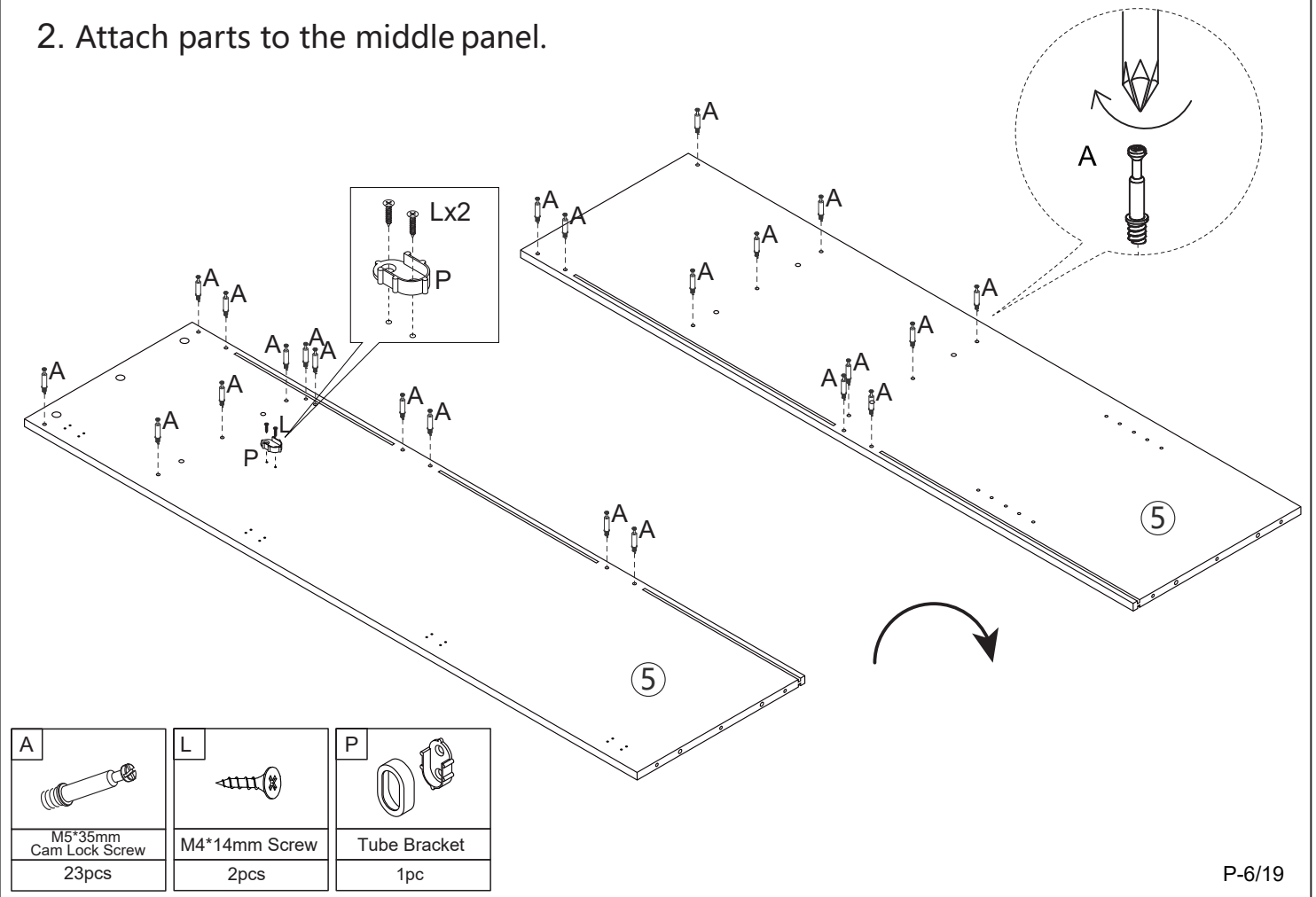
Refer to the illustration below to correctly use the cam lock screws for assembling the panels.



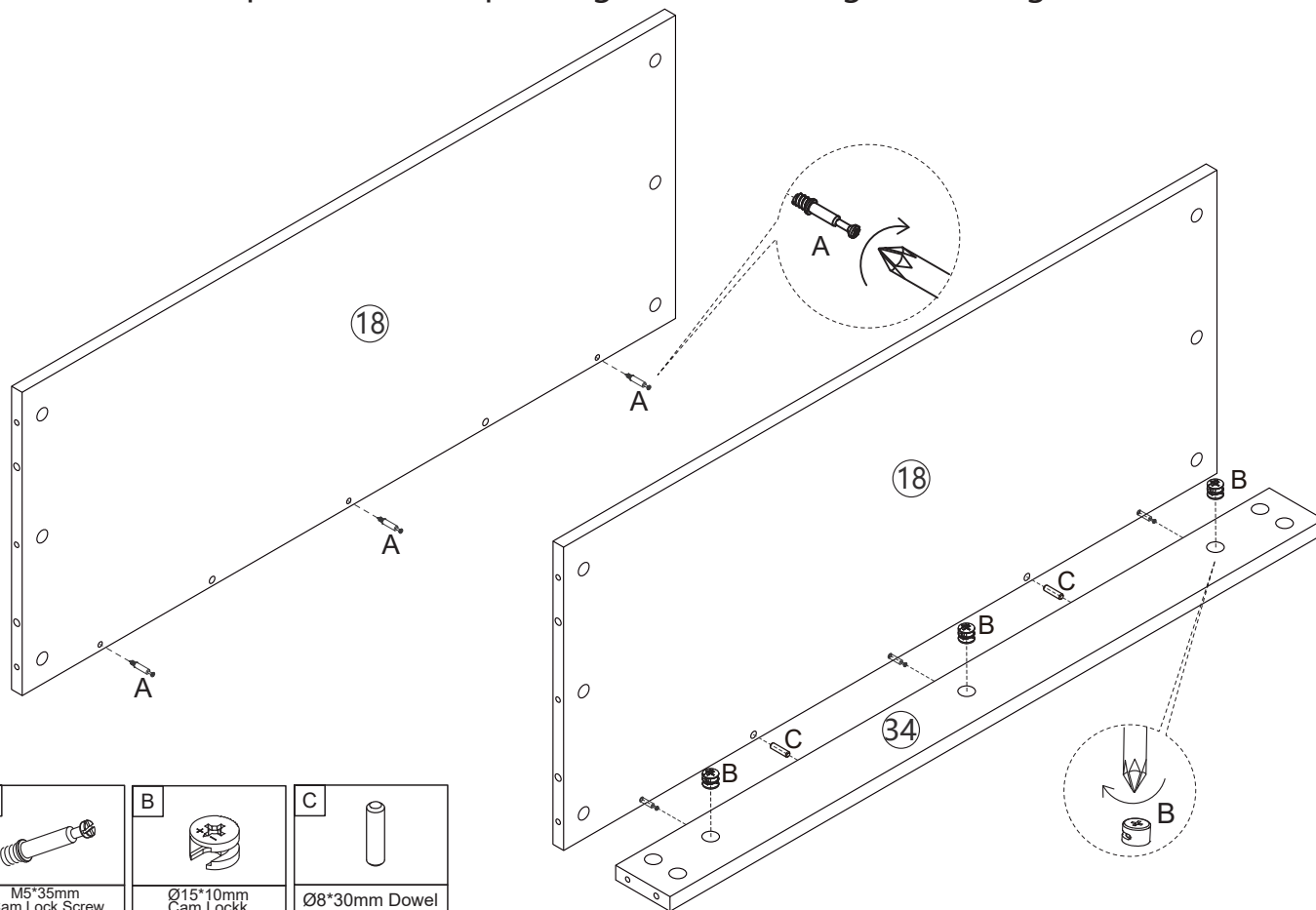
1. Attach parts to the side panel.

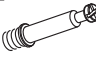




2. Attach parts to the middle panel.

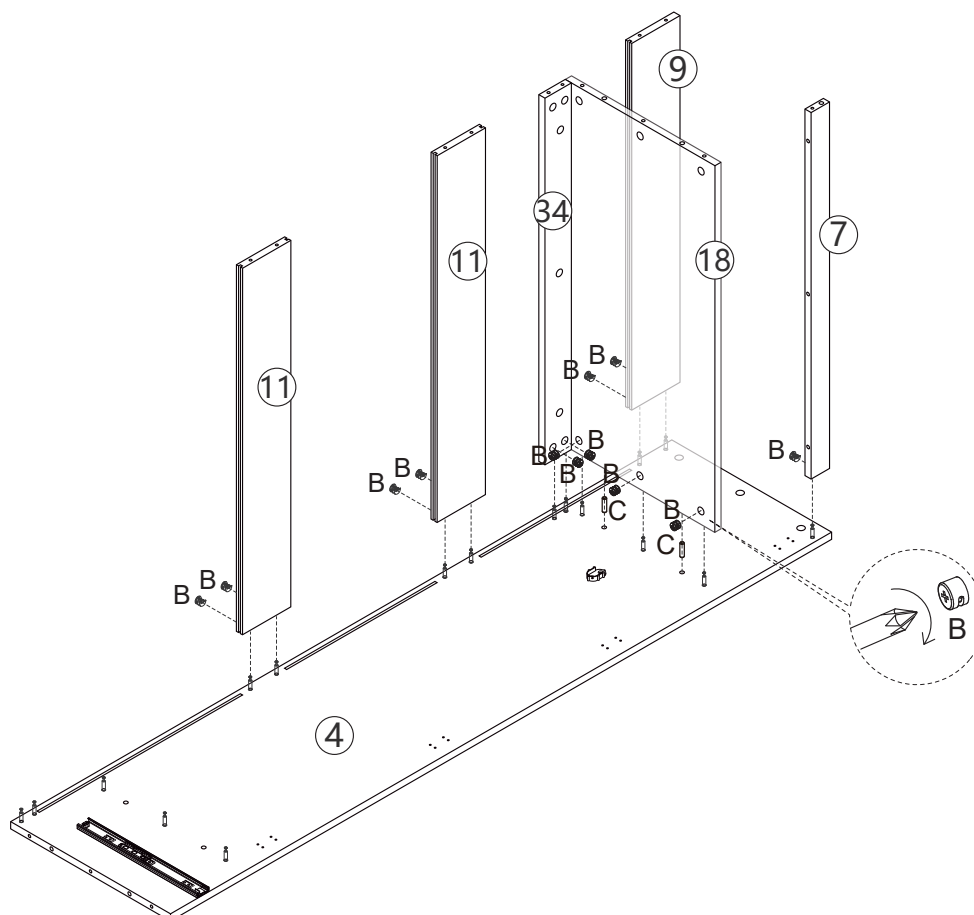




3. Assemble the panels of each part together according to the diagram.



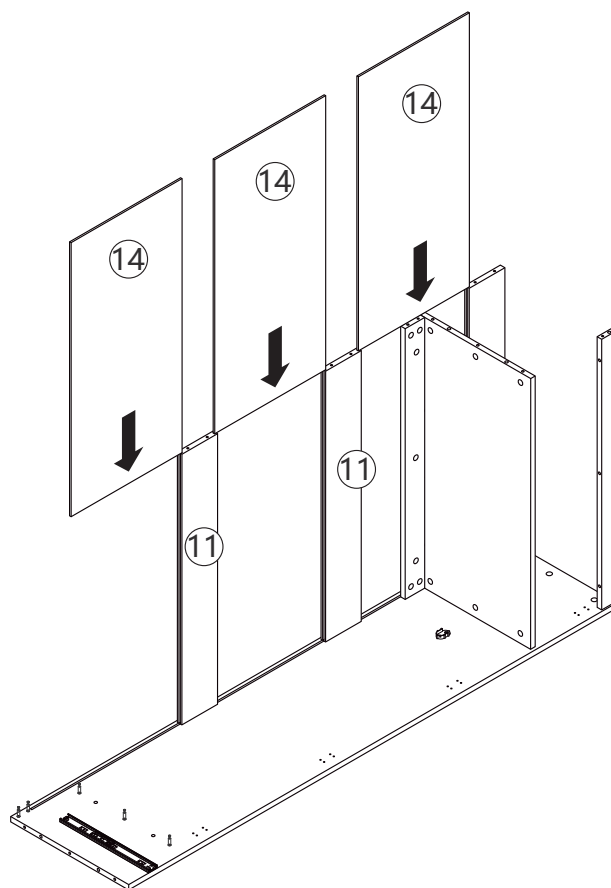
<p>A</p> 	<p>B</p> 	<p>C</p> 
<p>M5*35mm Cam Lock Screw 3pcs</p>	<p>Ø15*10mm Cam Lockk 3pcs</p>	<p>Ø8*30mm Dowel 2pcs</p>

4. Assemble the panels of each part together according to the diagram.

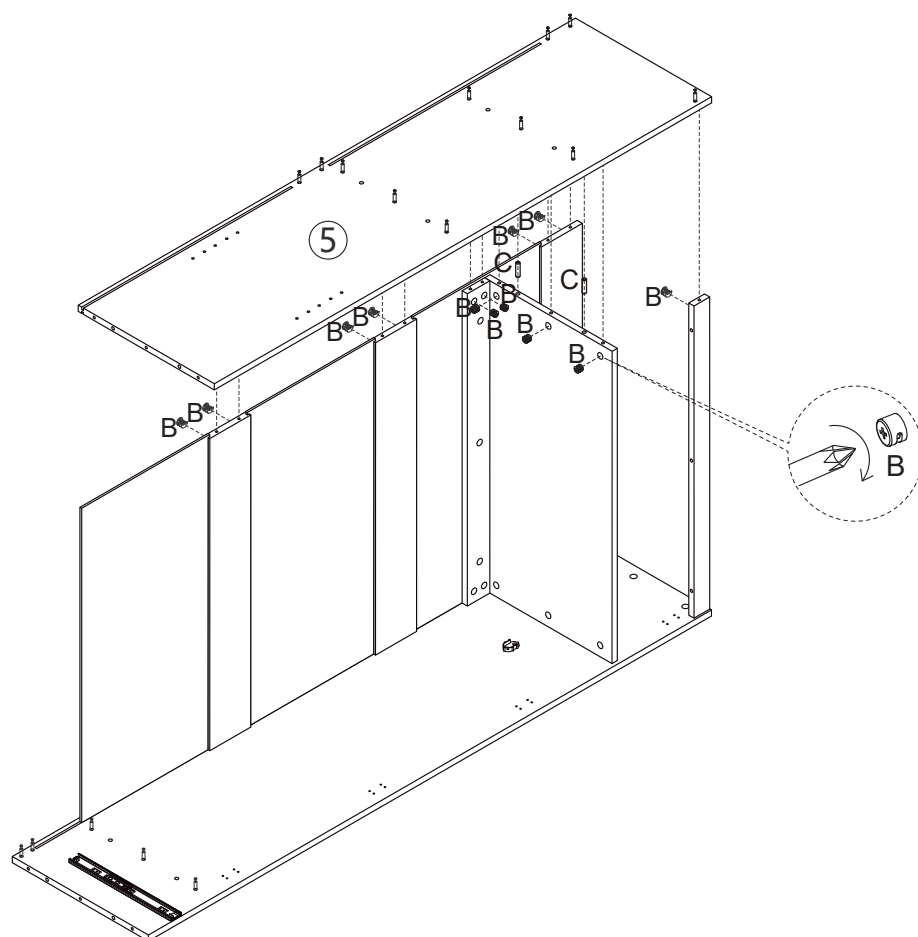




<p>B</p> 	<p>C</p> 
<p>Ø15*10mm Cam Lockk 12pcs</p>	<p>Ø8*30mm Dowel 2pcs</p>

5. Assemble back panel.

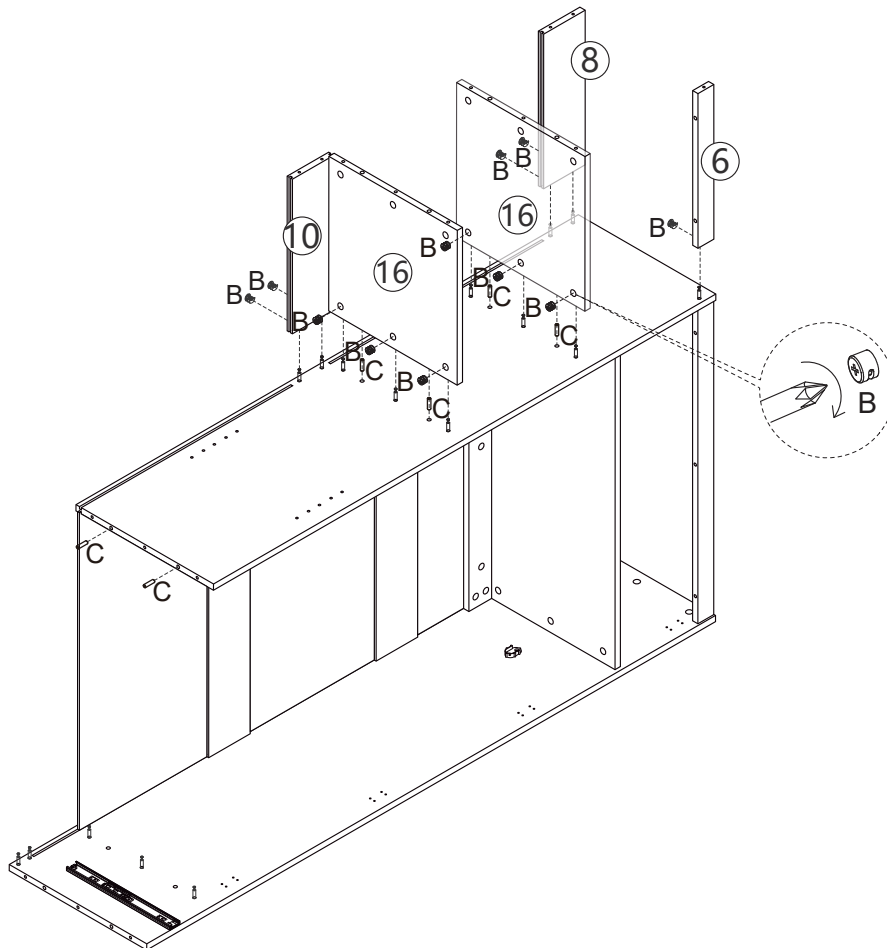




6. Assemble the panels of each part together according to the diagram.



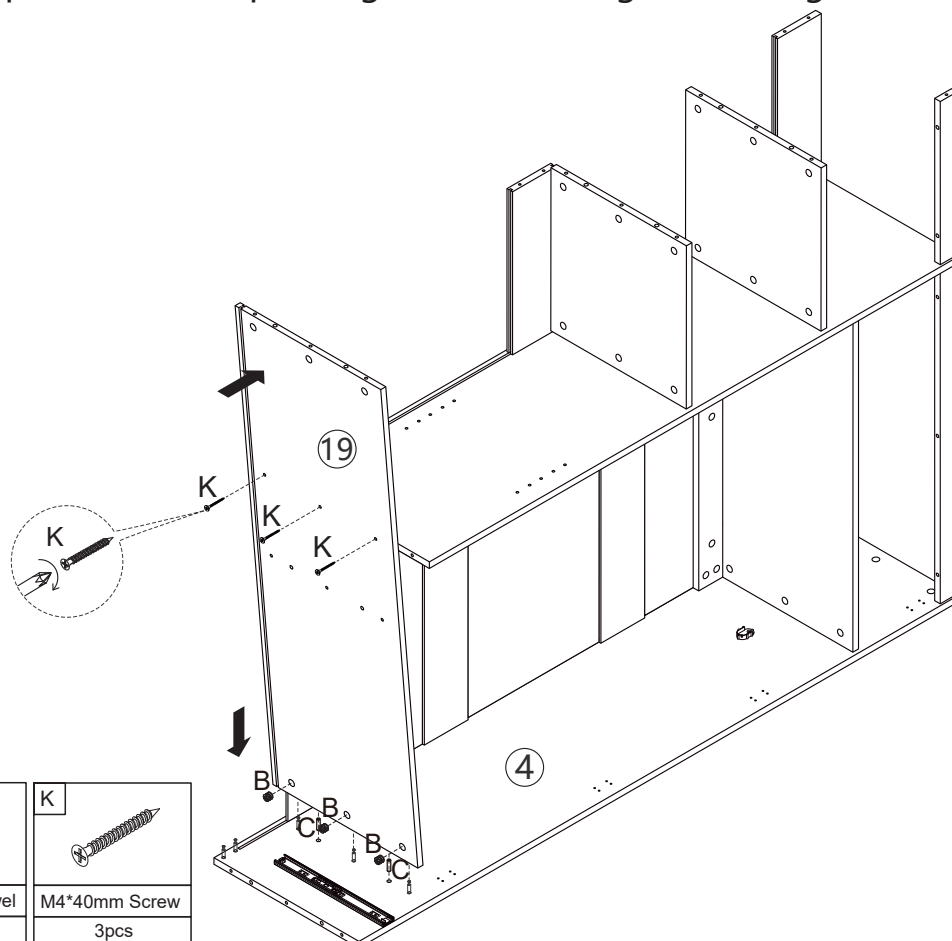
B		C	
Ø15*10mm Cam Lock		Ø8*30mm Dowel	
12pcs		2pcs	




7. Assemble the panels of each part together according to the diagram.



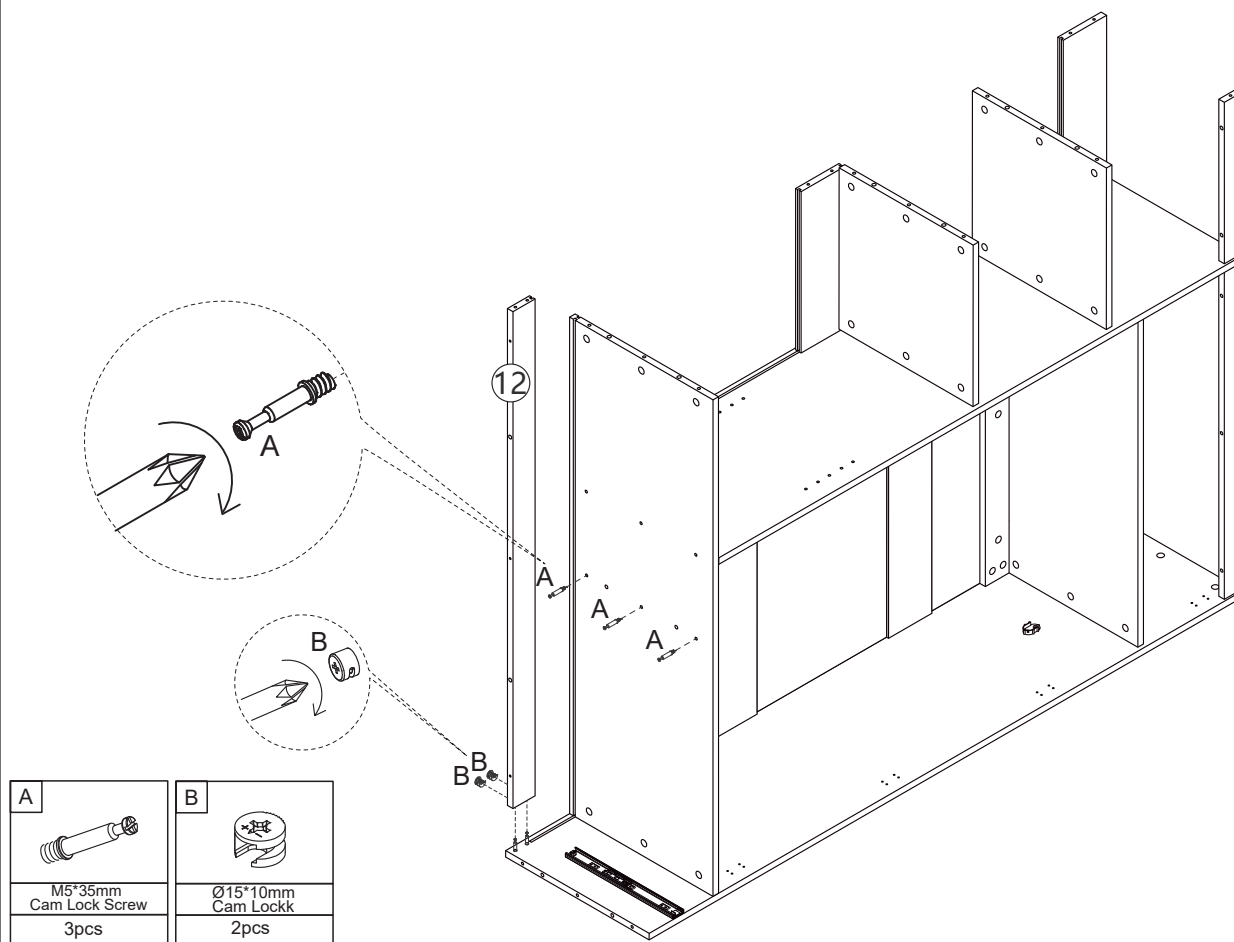
	
Ø15*10mm Cam Lockk 11pcs	Ø8*30mm Dowel 6pcs

8. Assemble the panels of each part together according to the diagram.

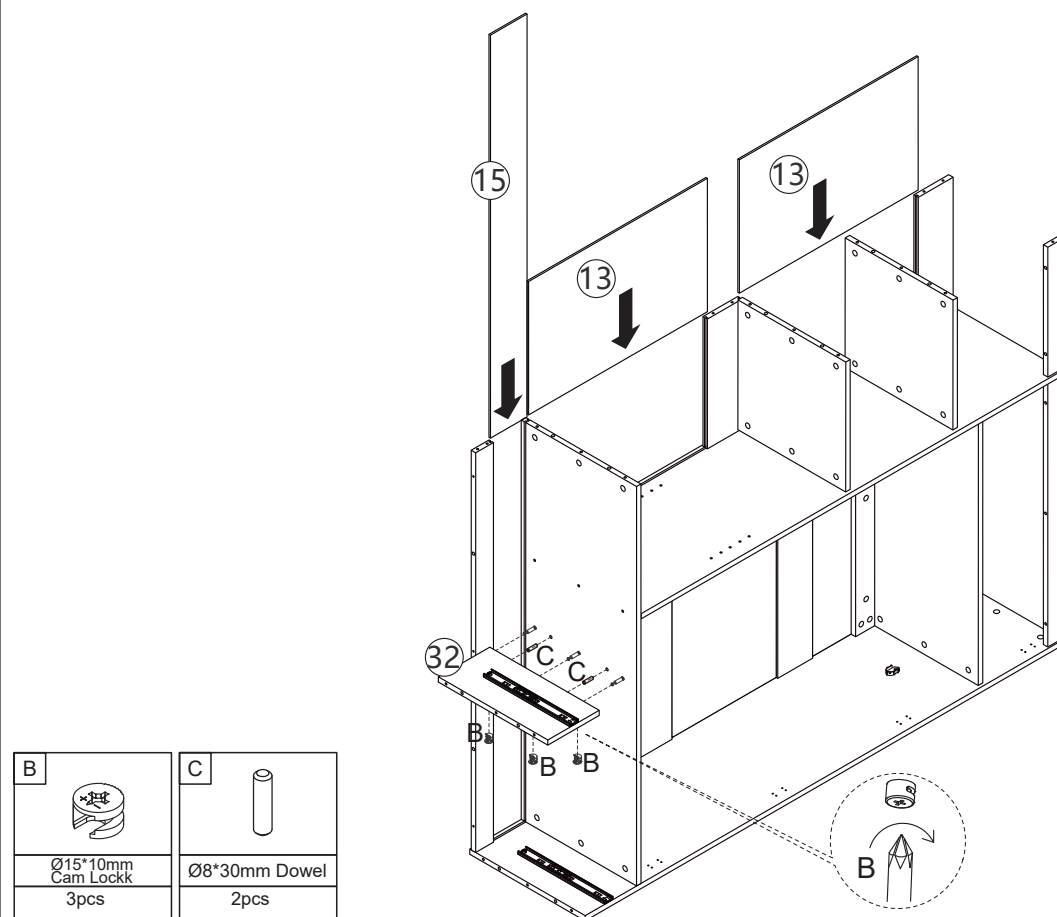


		
Ø15*10mm Cam Lockk 3pcs	Ø8*30mm Dowel 2pcs	M4*40mm Screw 3pcs

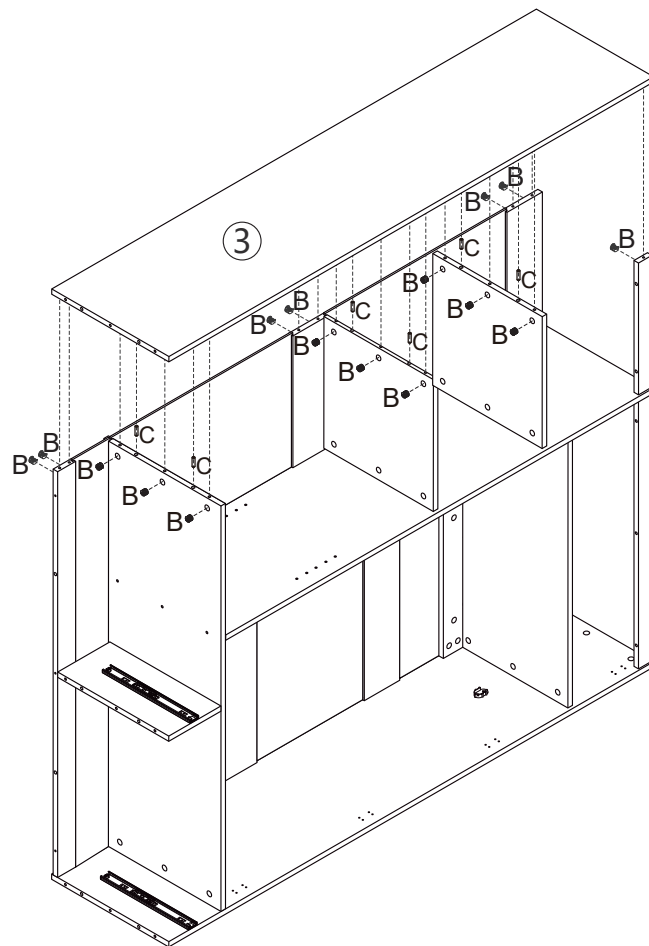
9. Assemble the panels of each part together according to the diagram.





10. Assemble the panels of each part together according to the diagram.

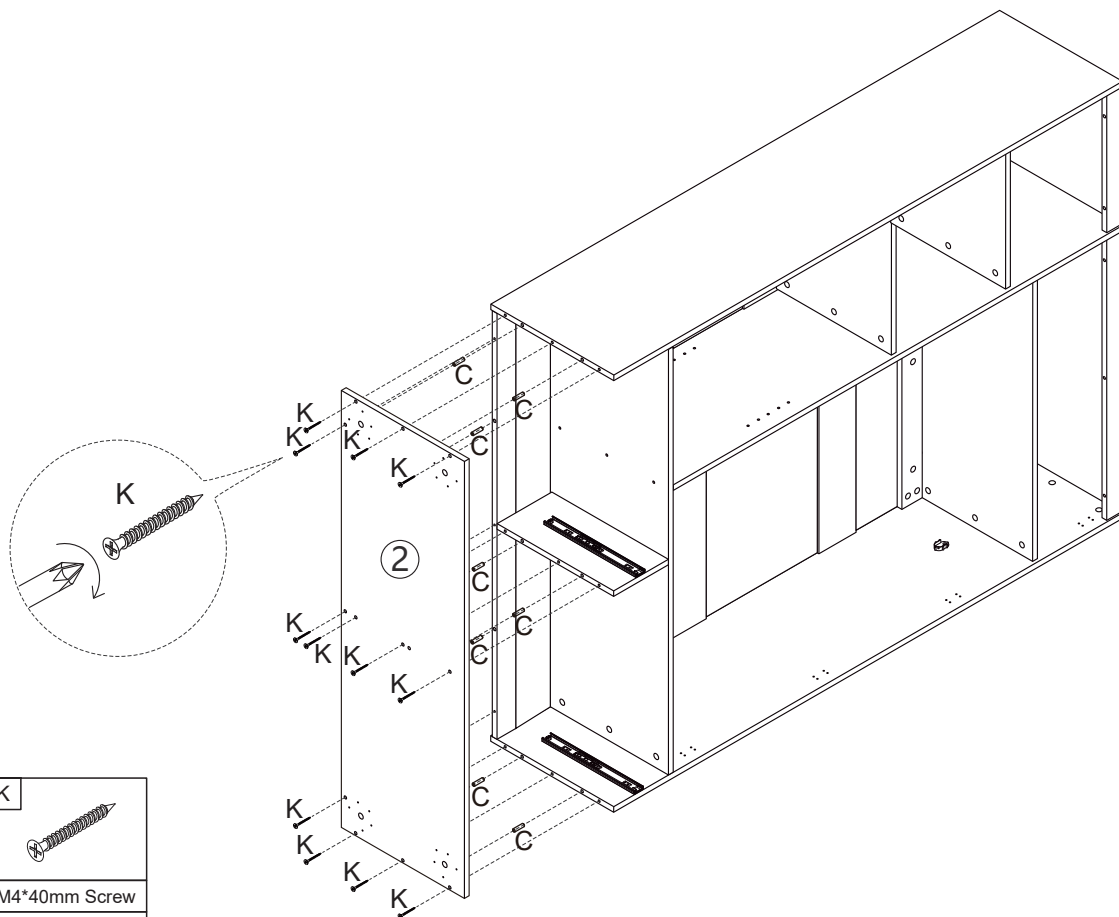




11. Assemble the panels of each part together according to the diagram.



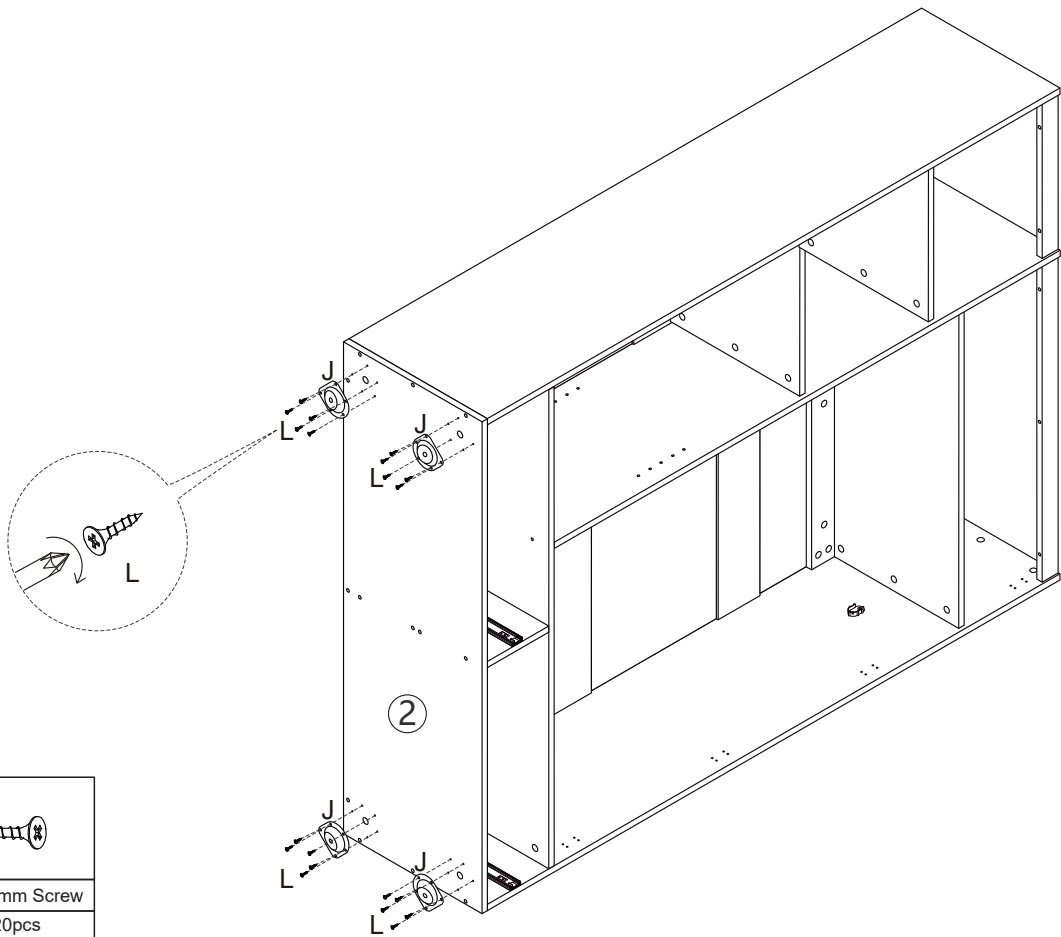
B		C	
Ø15*10mm Cam Lockk		Ø8*30mm Dowel	
16pcs		6pcs	

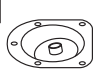

12. Attach panels to the bottom.



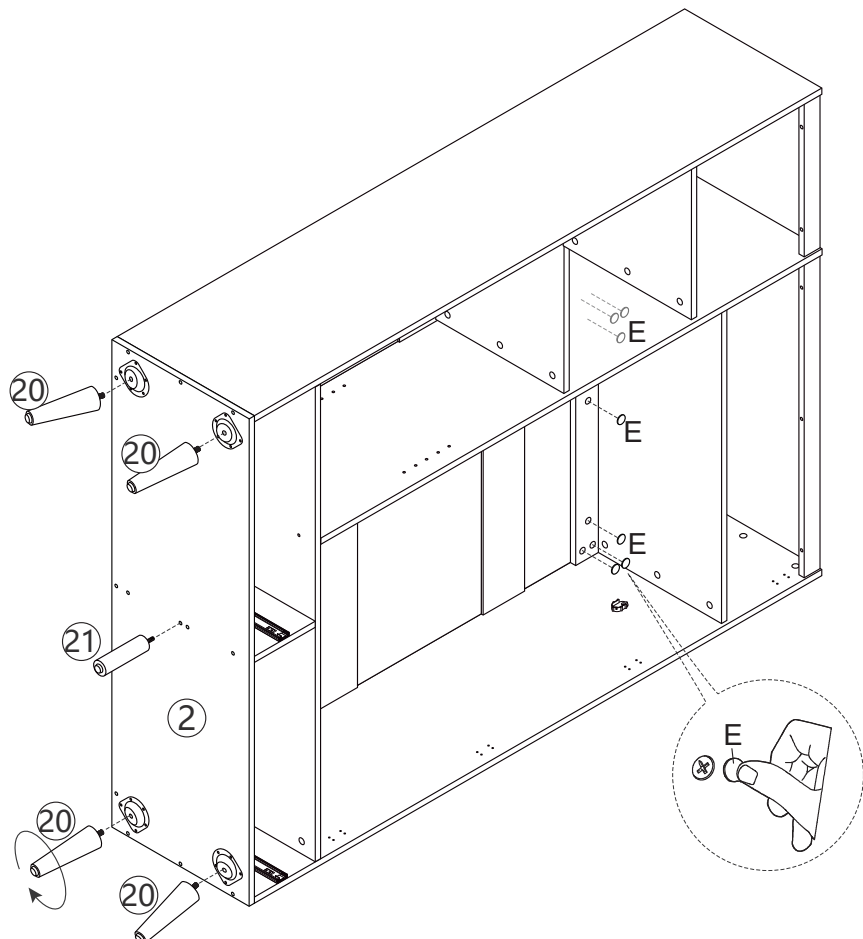
C		K	
Ø8*30mm Dowel		M4*40mm Screw	
8pcs		12pcs	


13. Attach parts to the bottom panel.



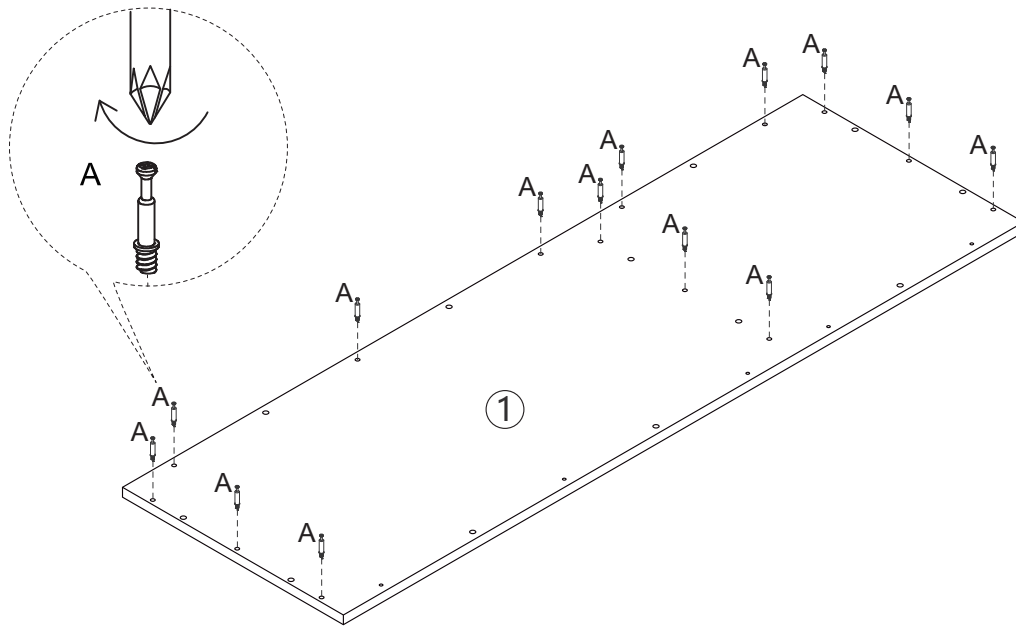
J		L	
	Iron Plate		M4*14mm Screw
	4pcs		20pcs

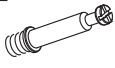
14. Attach Legs to the bottom.



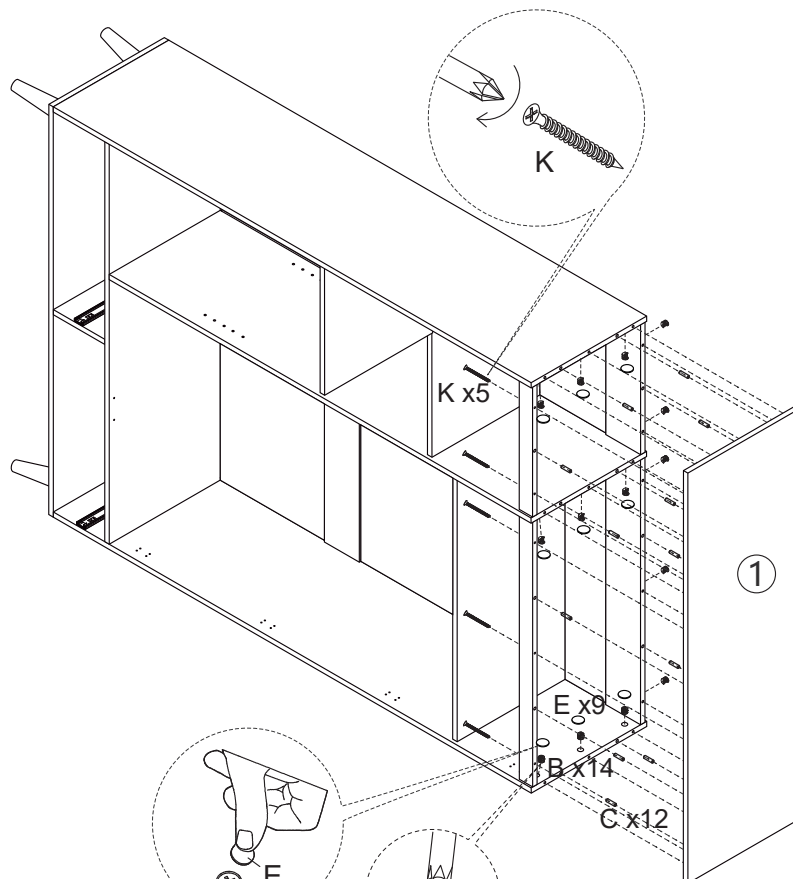
E	
	Cover
	7pcs





15. Attach parts to the top panel.



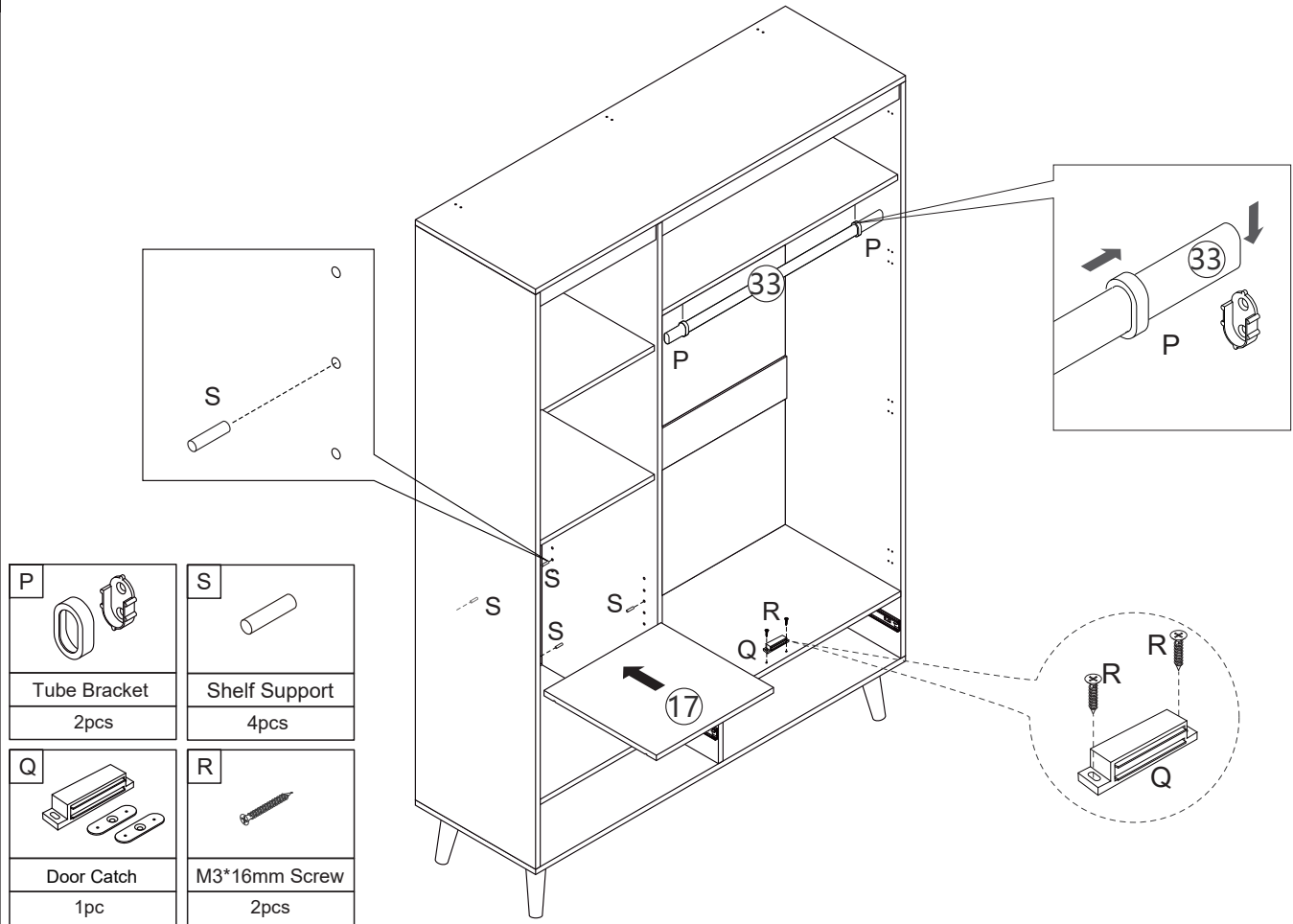
A	
M5*35mm Cam Lock Screw	
14pcs	

16. Attach the top panel to the frame.

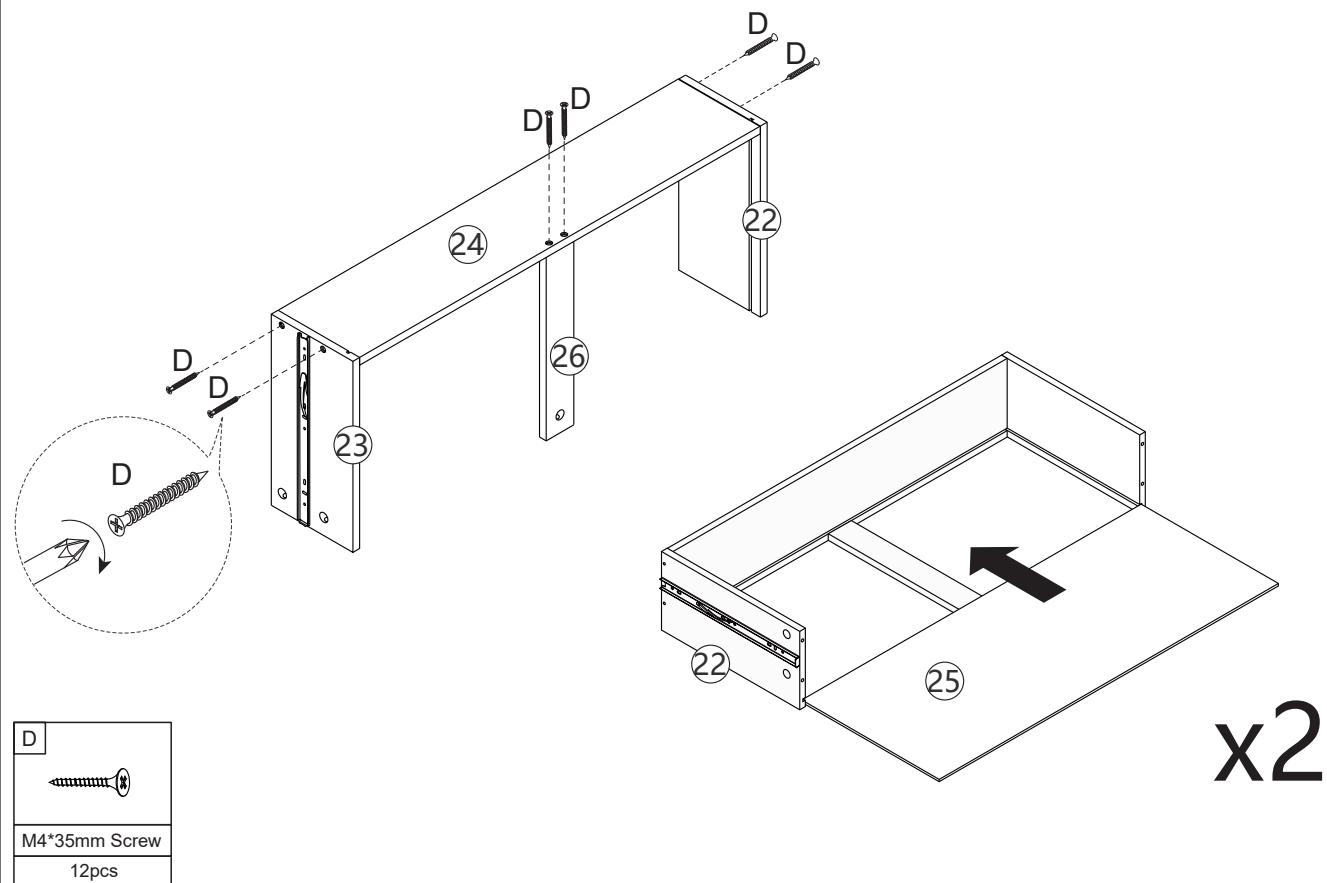


K		E	
M4*40mm Screw		Cover	
5pcs		9pcs	
B		C	
Ø15*10mm Cam Lockk		Ø8*30mm Dowel	
14pcs		12pcs	

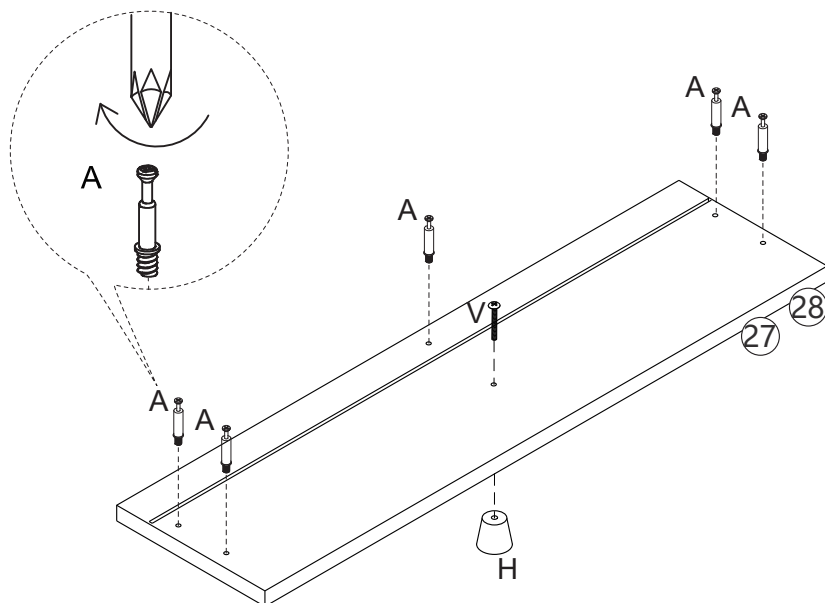
17. Attach hanging bar etc. to the panel.

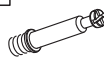




18. Assemble the drawer by following the steps shown in the illustration below.

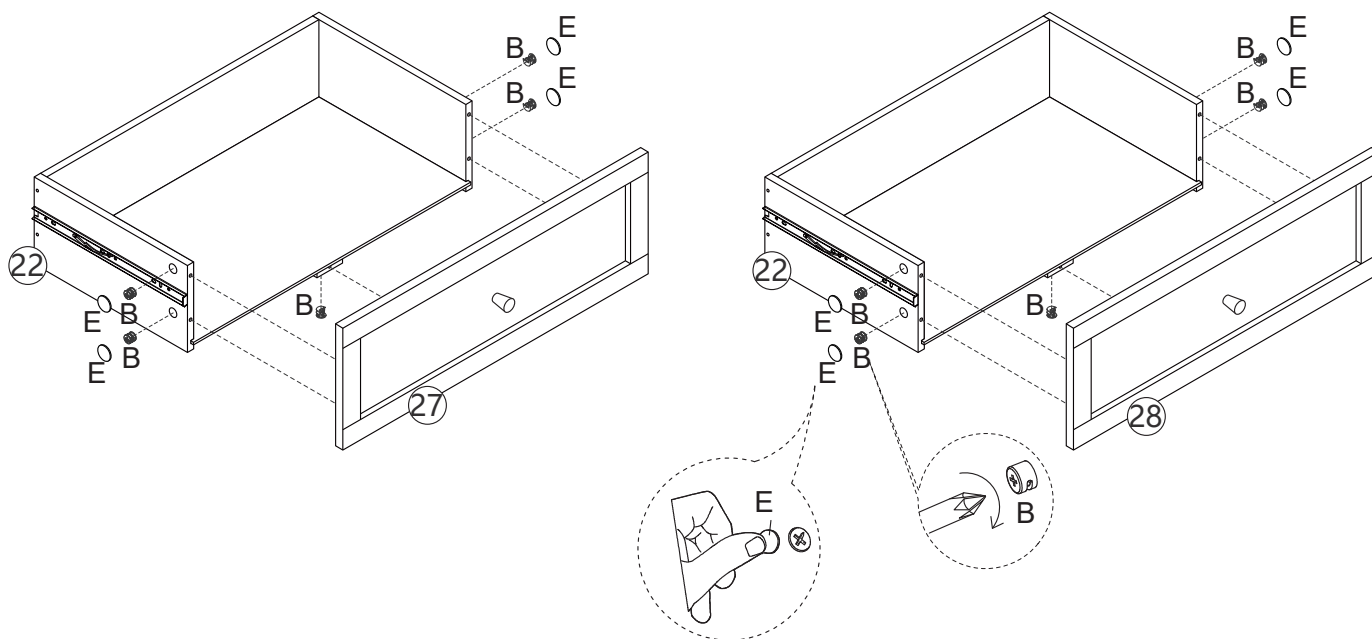




19. Attach parts to the drawer panel.



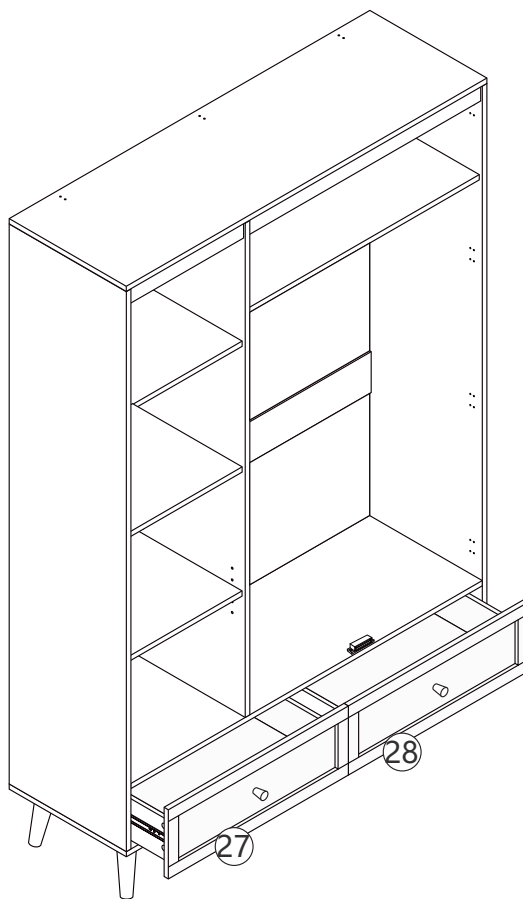
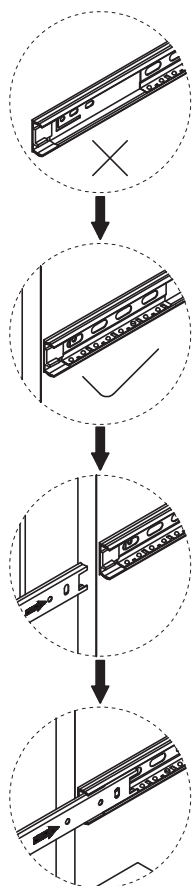
A 	H 	V 
M5*35mm Cam Lock Screw 10pcs	Handle 2pcs	M4*10mm Bolt 2pcs

20. Assemble the drawer by following the steps shown in the illustration below.

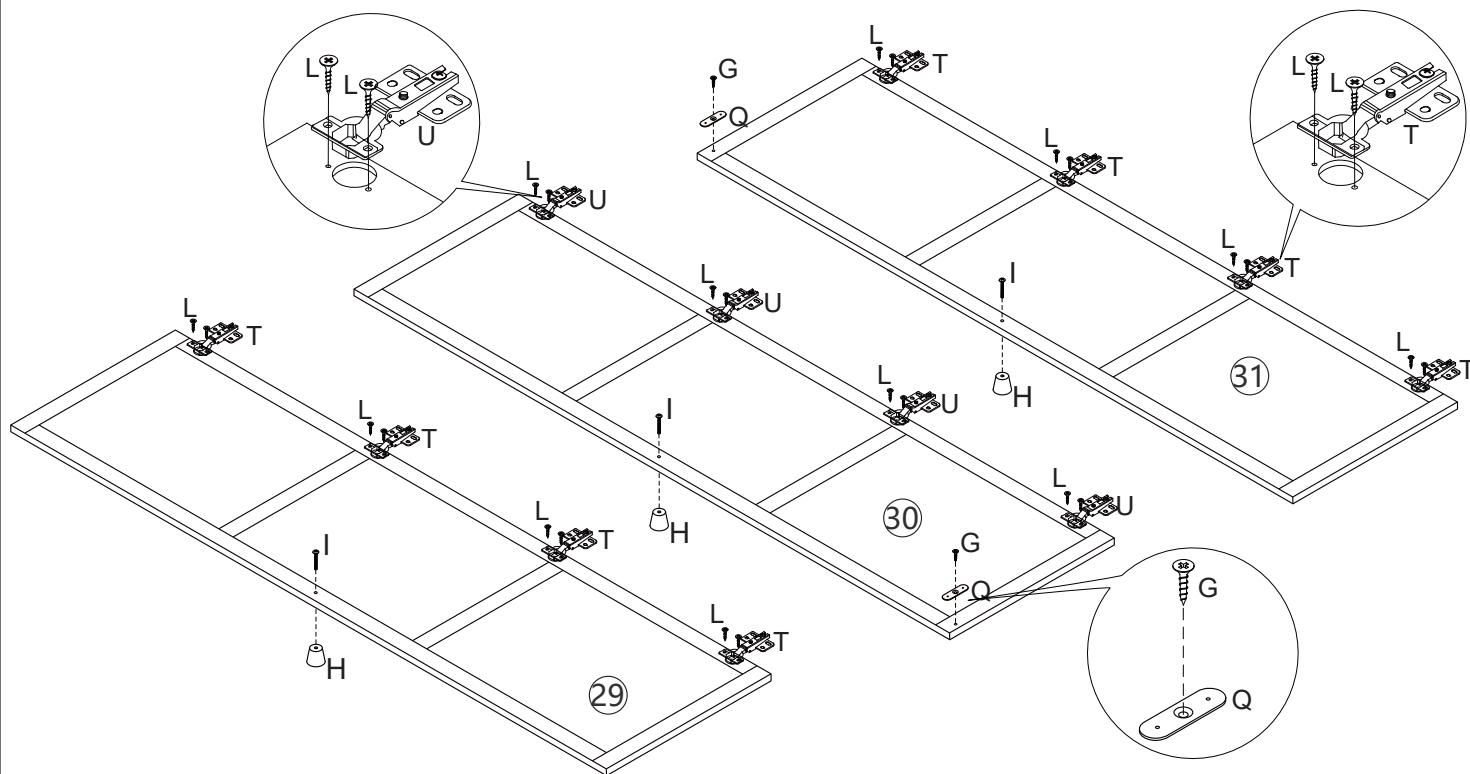







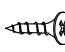

B 	E 
Ø15*10mm Cam Lock 10pcs	Cover 8pcs

21. Assemble drawer in the cabinet.

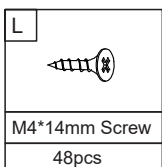
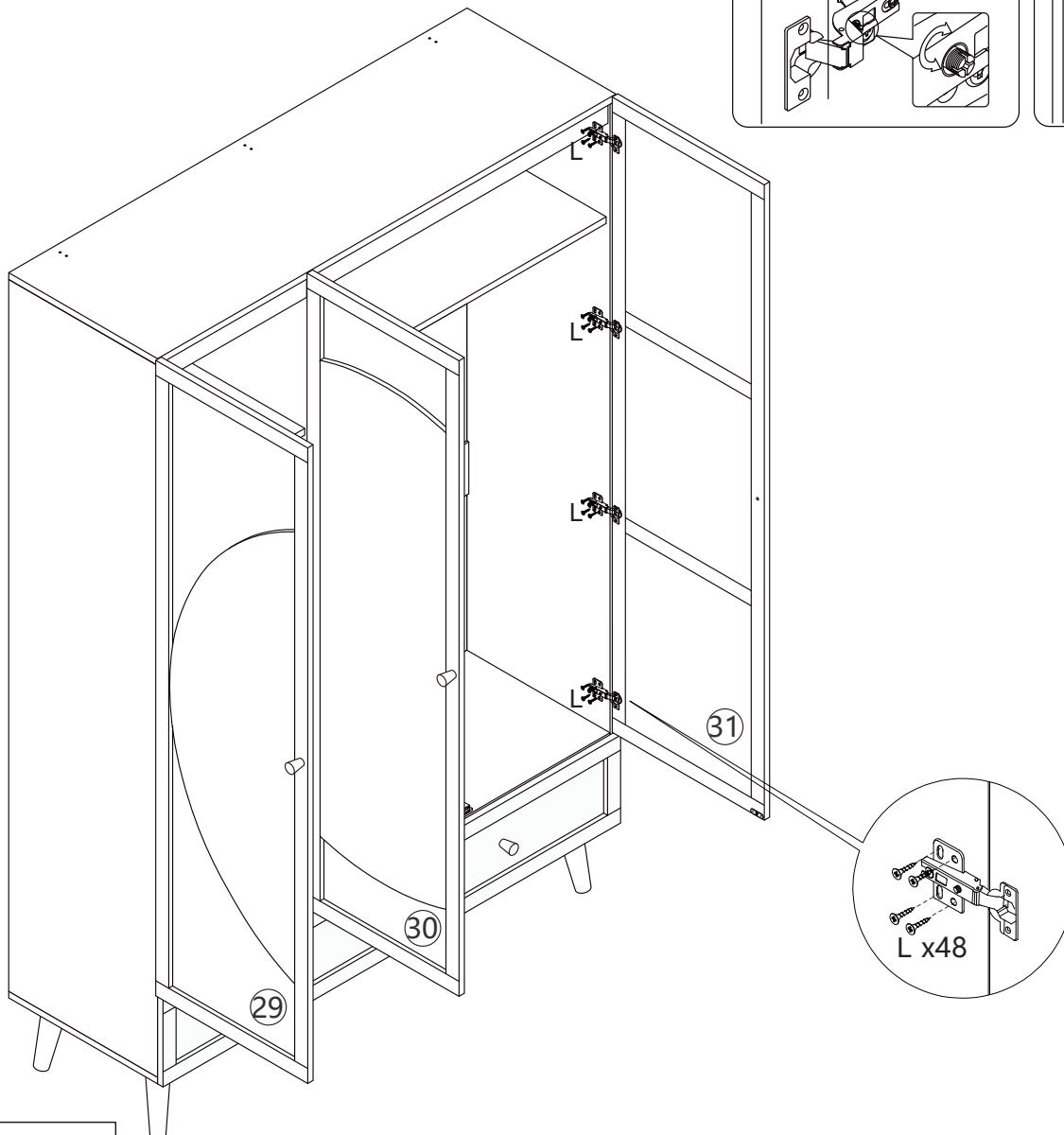
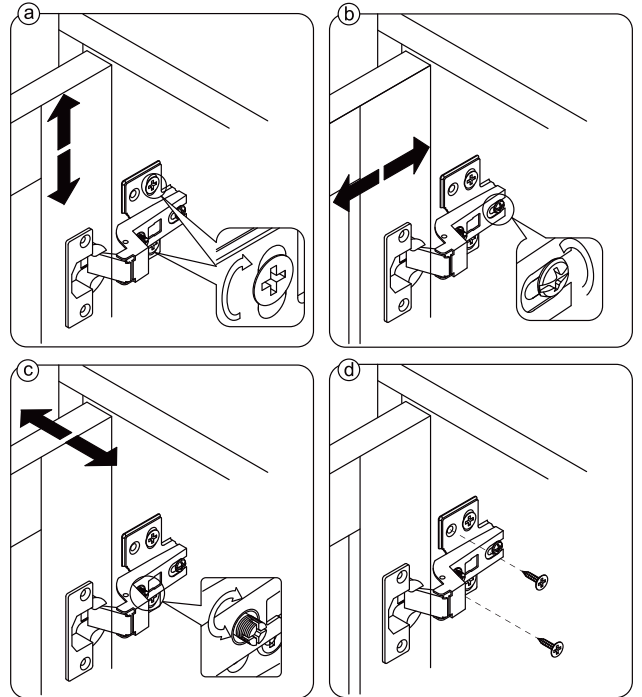


22. Attach parts to the door panel.

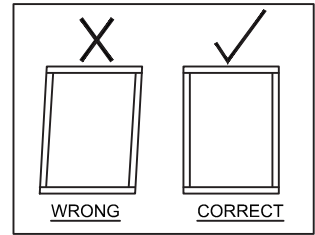


H 	I 	Q 	G 	T 	L 	U 
Handle 3pcs	M4*18mm Bolt 3pcs	Door Catch 1pc	M3*12mm Screw 2pcs	Hinge 8pcs	M4*14mm Screw 24pcs	Hinge 4pcs

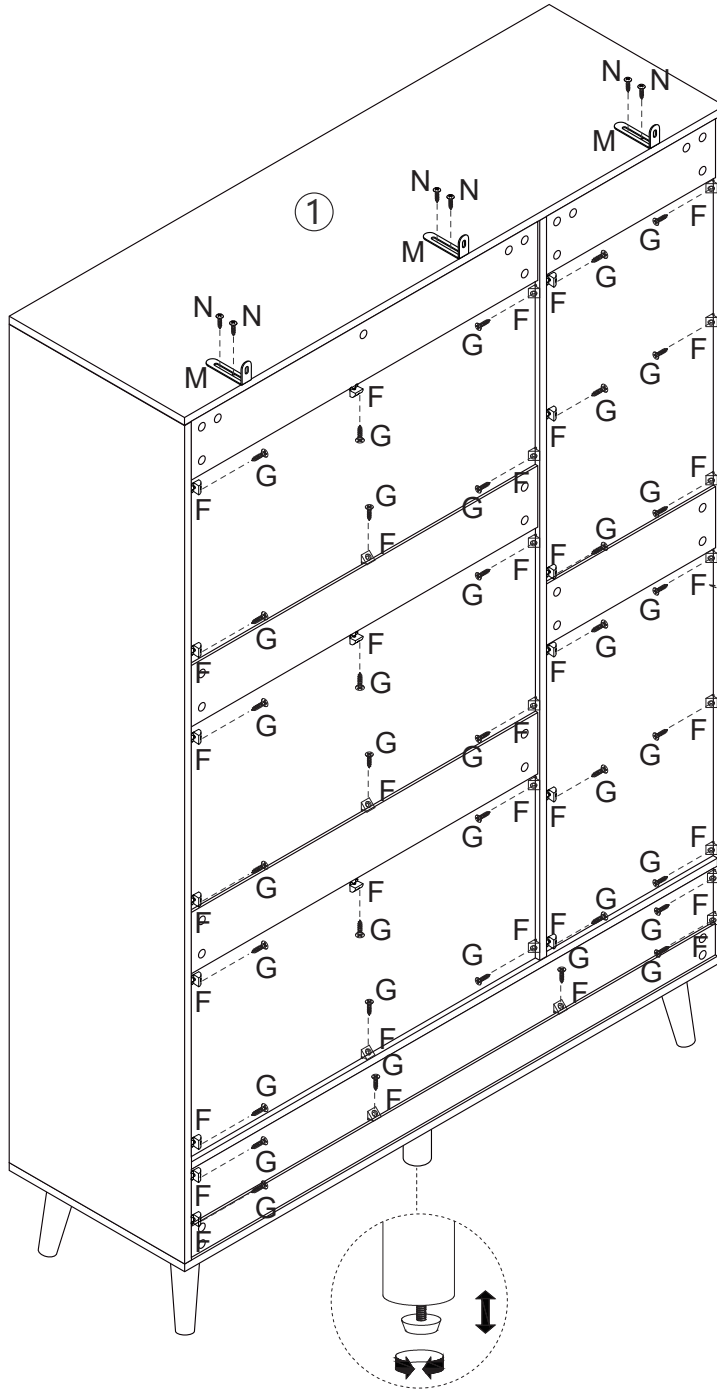
23. Assemble the door panel onto the cabinet and adjust it as shown in the picture, Make the door gap even and smooth.







24. Attach the plastic buckles and screws etc.

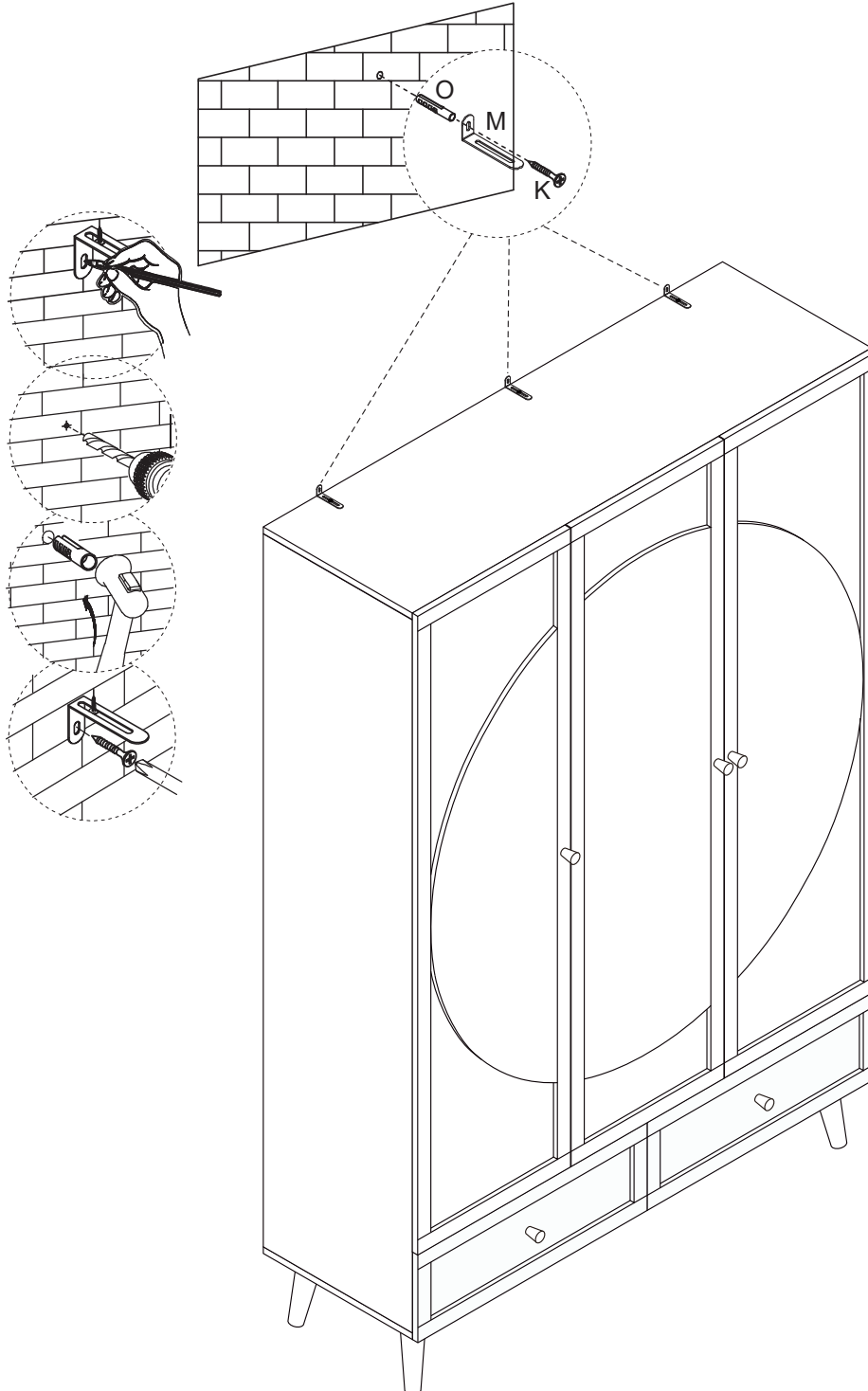


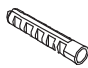

NB: Before tightening the plastic buckles and screws, please ensure the frame is square



F	G	M	N
			
Plastic Buckle	M3*12mm Screw	Wall Bracket	M4*12mm Screw
36pcs	36pcs	3pcs	6pcs

25. Drill holes in the wall, insert expansion bolts, and then fix the furniture to the wall with screws.



O		K	
M8*40mm Wall Anchor 3pcs		M4*40mm Screw 3pcs	