

DUSK.COM

LIVING | BEDROOM | DINING

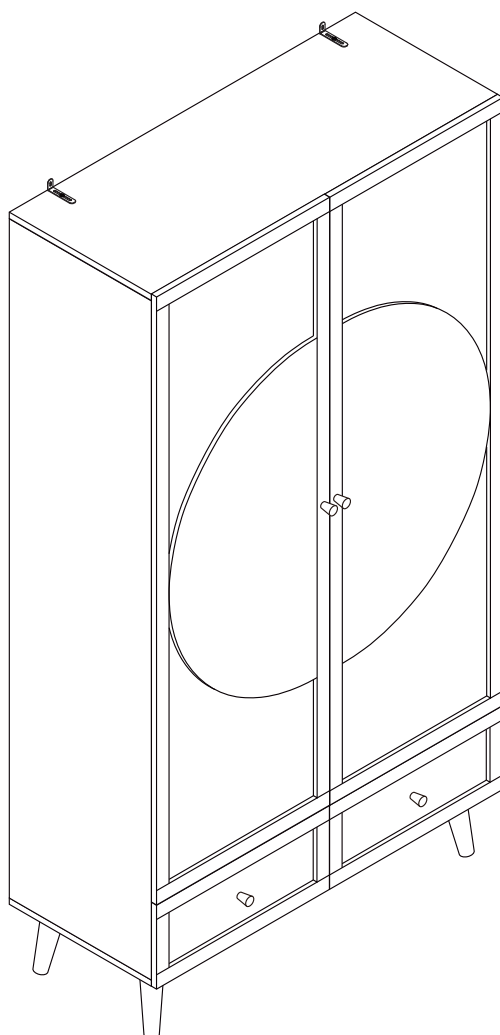
Range Name: Raven

Box1 Dimensions: W178xD62xH14 (cm)

Box2 Dimensions: W110xD63xH22 (cm)

Product Dimensions: W95xD55xH180 (cm)

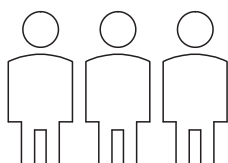
2 door wardrobe



THIS INSTRUCTION BOOKLET CONTAINS IMPORTANT SAFETY INFORMATION.
PLEASE READ AND KEEP FOR FUTURE REFERENCE.



Up to 120 minutes
assembly time



Three person
assembly



Electric screwdriver
prohibited

This product is intended for domestic use only, not for commercial purposes.

V-1.0
P-1/16

IMPORTANT

ASSEMBLY TIP

Before you begin, it's best to identify all of the parts and fittings to build your 2 door wardrobe frame. We advise laying these out on the floor to check you have everything, and to familiarise yourself with all of the parts and fittings before building.

TOP TIP

We recommend that you assemble the bedside in the room you'd like it to be located. This will help prevent any risk of damage to the frame whilst moving it.

SAFETY AND CARE

1. It's important to ensure children and animals are kept away from the assembly area, as there are small components used in this product which could present a choking hazard. All plastic and wrapping materials should also be kept away from children and animals to prevent any risk of suffocation.
2. Do not stand on your product.
3. Always use the item on firm level ground, ensuring all legs remain in contact with the ground.
4. Place heaviest items in the lowest drawers.
5. Do not set TV or other heavy objects on top of the product.
6. Children should always be under supervision whilst using this product. Never allow children to climb on the drawers.
7. Never keep more than one drawer open at the same time.
8. In order to prevent overturning, this product must be used with the wall attachment device provided.
9. Serious or fatal crushing injuries can occur from tipping furniture.

HELP AND SUPPORT

Please contact our customer service team on 0113 519 0311 if you have any questions or issues with your purchase.

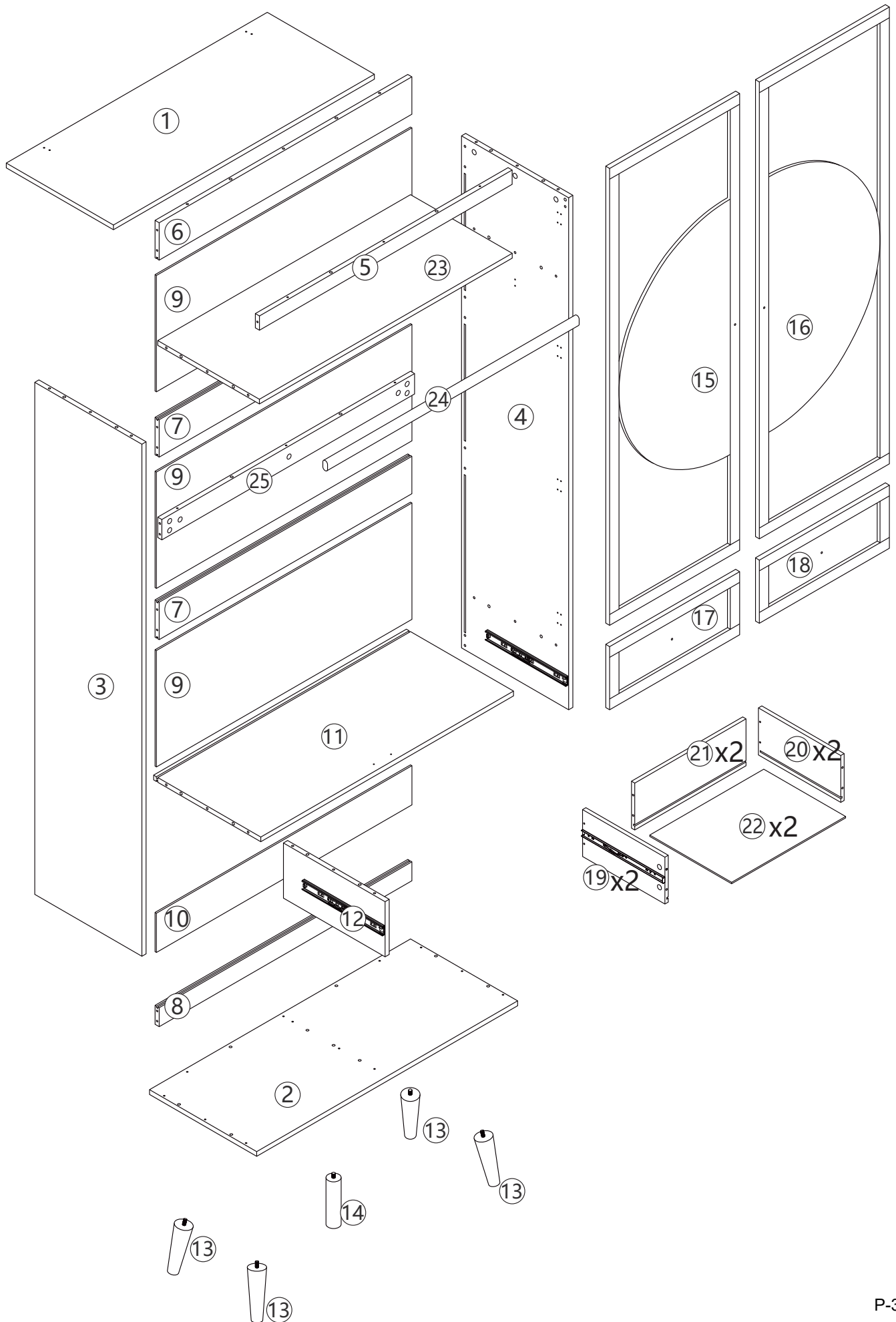
RECYCLING

Please ensure that packaging is disposed of in a safe and environmentally friendly way, and recycle where possible. Please keep your assembly instructions safe to refer back to in the future.

CARE AND MAINTENANCE

1. Only clean using a damp cloth, do not use bleach or abrasive cleaners as they may damage the finish over time.
2. Do not use a very wet cloth or allow any liquid to contact with the surface for a long period of time. Wipe any spillage immediately. Absorption can cause wood to warp or finishes to de-laminate.
3. Do not scrub or rub the surface when cleaning.
4. Do not drag the 2 door wardrobe when moving, lift it off the floor instead.
5. Use a placemat or a coaster when putting hot items (e.g. hot drinks and dishes) on the wood surface.
6. It is not recommended to place the item next to sources of heat such as radiators, fires or directly exposed to sunlight. This may cause the wood to crack, split or fade due to the heat and humidity.
7. Wood will mellow and change colour over time, we recommend that ornaments and items placed on the surface to be moved regularly to prevent uneven mellowing.
8. Regularly check all fixings to ensure none have come loose. Re-tighten if necessary.
9. Avoid sharp items such as a screwdriver or any pointy tools.

Parts list



Parts list

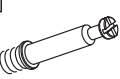


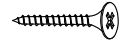





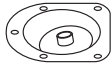




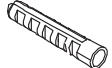
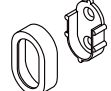
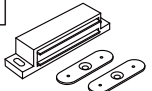

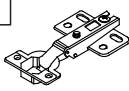

Before you begin building your 2 door wardrobe, please take a moment to read through the instructions and make sure that you have all the relevant parts listed on the parts check list.

Part Number	Part Description	Quantity	Box No
1	Top Panel	1 pc	Box2
2	Bottom Panel	1 pc	Box2
3	Left Side Panel With Slide Pre-assembled	1 pc	Box1
4	Right Side Panel With Slide Pre-assembled	1 pc	Box1
5	Top Support Bar	1 pc	Box2
6	Back Support Bar	1 pc	Box2
7	Back Support Bar	2 pcs	Box2
8	Back Support Bar	1 pc	Box2
9	Back Panel	3 pcs	Box2
10	Back Panel	1 pc	Box2
11	Shelf Centre Panel	1 pc	Box2
12	Middle Panel With Slide Pre-assembled	1 pc	Box2
13	Leg	4 pcs	Box2



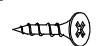
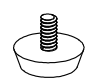
Part Number	Part Description	Quantity	Box No
14	Centre Leg	1 pc	Box2
15	Left Door Panel	1 pc	Box1
16	Right Door Panel	1 pc	Box1
17	Left Drawer Front	1 pc	Box1
18	Right Drawer Front	1 pc	Box1
19	Drawer Left Side With Slide Pre-assembled	2 pcs	Box2
20	Drawer Right Side With Slide Pre-assembled	2 pcs	Box2
21	Drawer Back Side	2 pcs	Box2
22	Drawer Bottom	2 pcs	Box2
23	Shelf Centre Panel	1 pc	Box2
24	Hanging Bar	1 pc	Box2
25	Support Bar	1 pc	Box2

Fittings

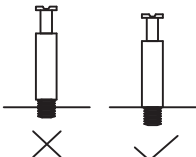
Please check you have all the fittings listed below with your product in Box2.

 M5*35mm Cam Lock Screw 57pcs+4pcs extra	 Ø15*10mm Cam Lock 57pcs+4pcs extra	 Ø8*30mm Dowel 28pcs+3pcs extra	 M4*35mm Screw 8pcs+1pc extra	 Cover 21pcs+2pcs extra	 Plastic Buckle 41pcs+4pcs extra	 M3*12mm Screw 43pcs+4pcs extra
 Handle 4pcs	 M4*18mm Bolt 2pcs	 Iron Plate 4pcs	 M4*40mm Screw 17pcs+2pcs extra	 M4*14mm Screw 72pcs+4pcs extra	 Wall Bracket 2pcs	 M4*12mm Screw 4pcs
 M8*40mm Wall Anchor 2pcs	 Tube Bracket 2pcs	 Door Catch 1pc	 M3*16mm Screw 2pcs	 Hinge 8pcs	 M4*10mm Bolt 2pcs	

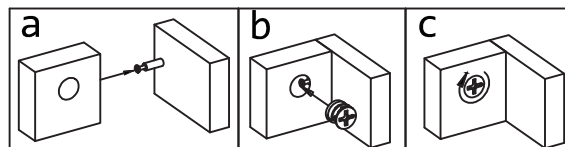
Pre- assembled Fitting

 Slide 4pcs	 Slide 4pcs	 M3.5*12mm Screw 24pcs	 Adjustable Foot 1pc
--	--	---	---

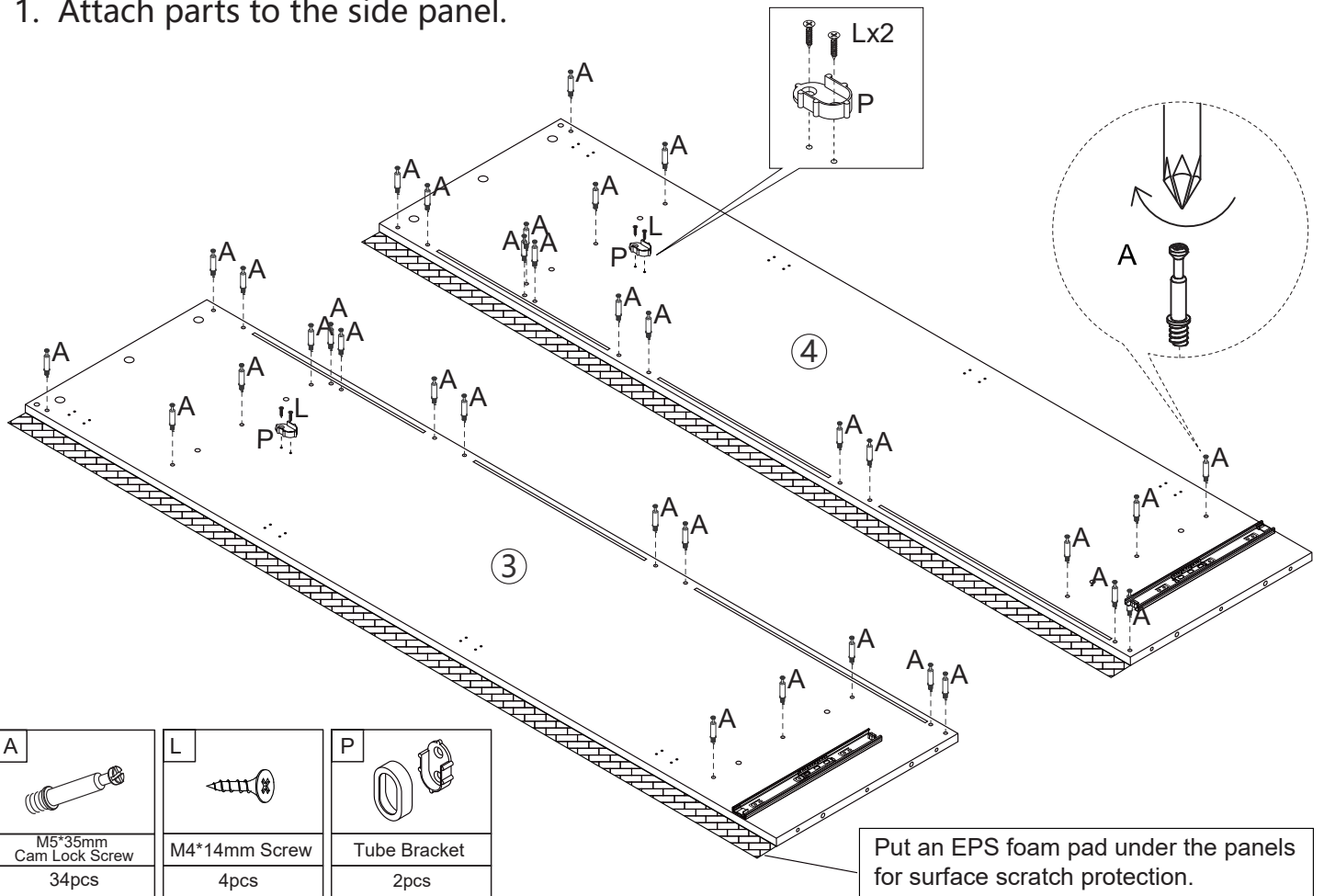
Ensure the cam lock screws are installed correctly, as indicated by the "check mark" below.



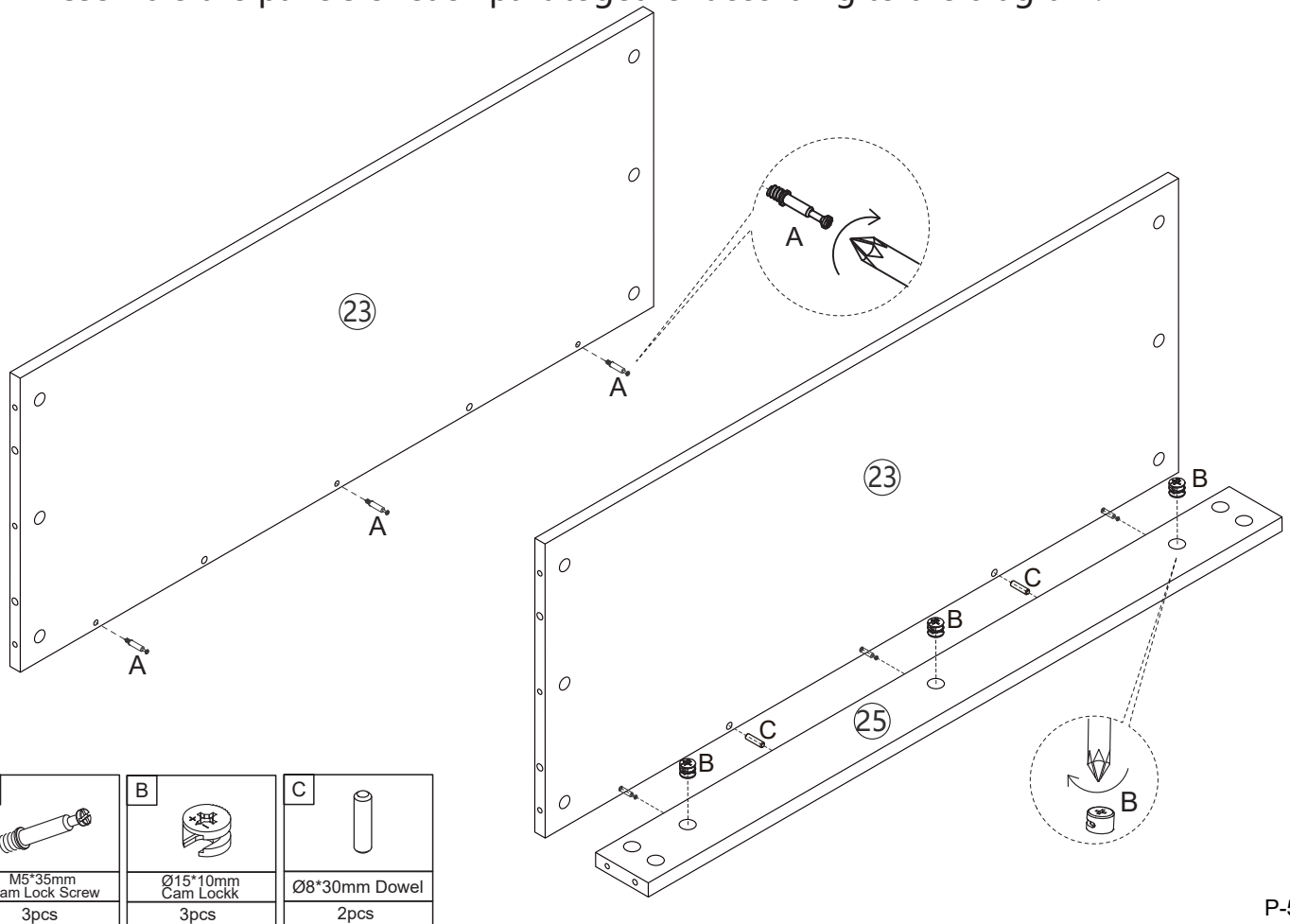
Refer to the illustration below to correctly use the cam lock screws for assembling the panels.



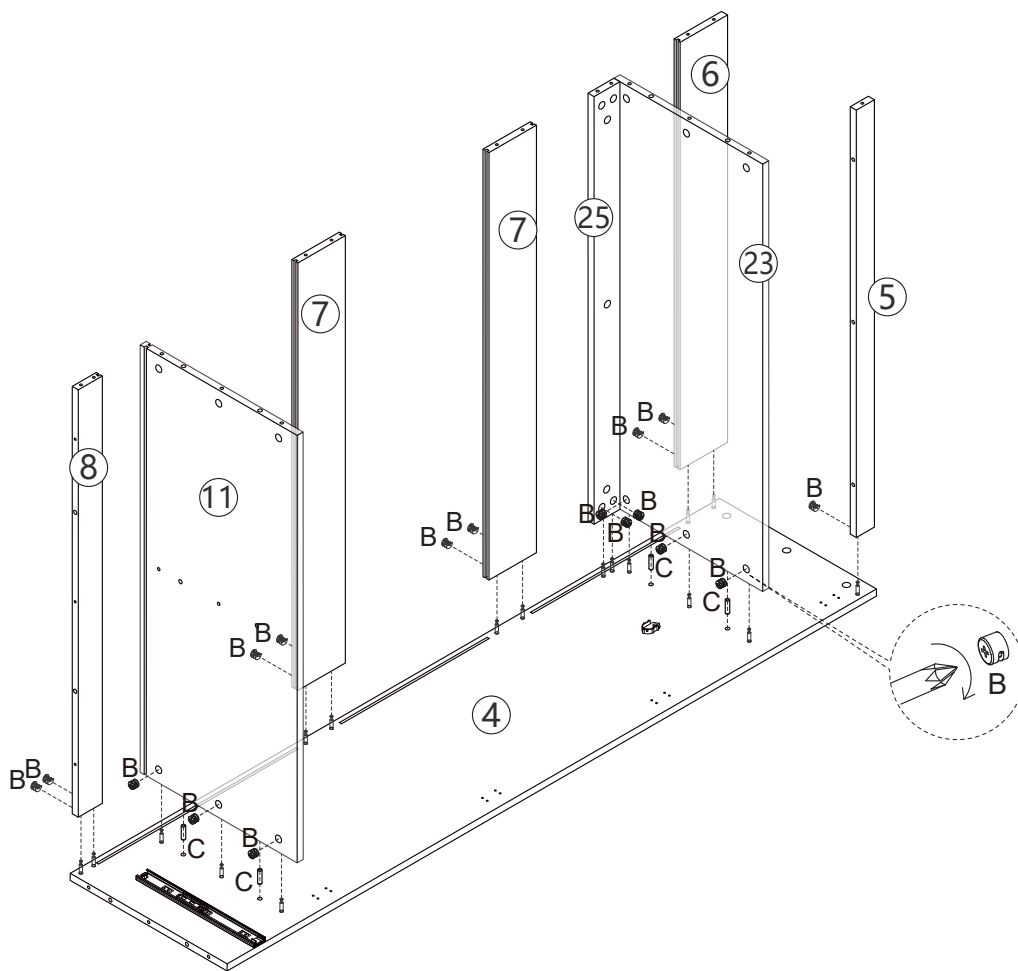
1. Attach parts to the side panel.





2. Assemble the panels of each part together according to the diagram.

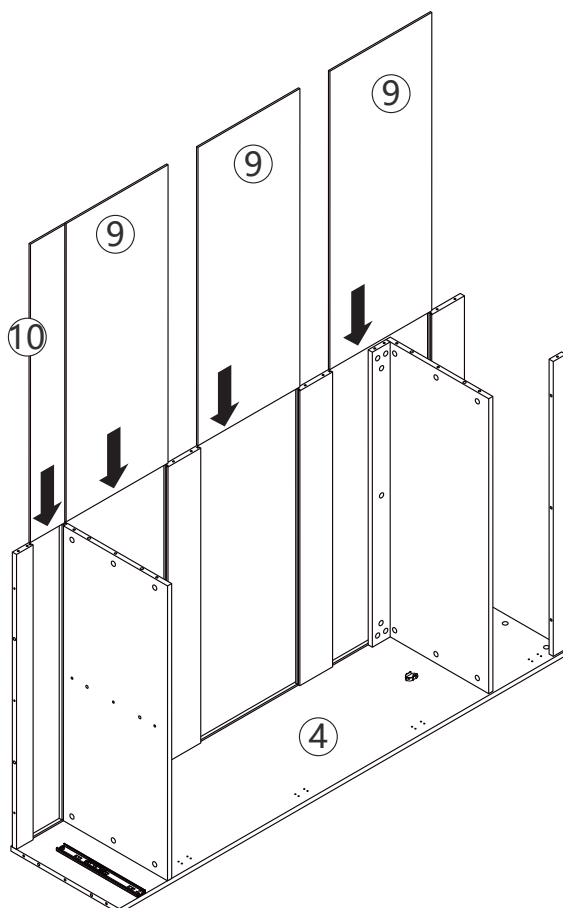


3. Assemble the panels of each part together according to the diagram.

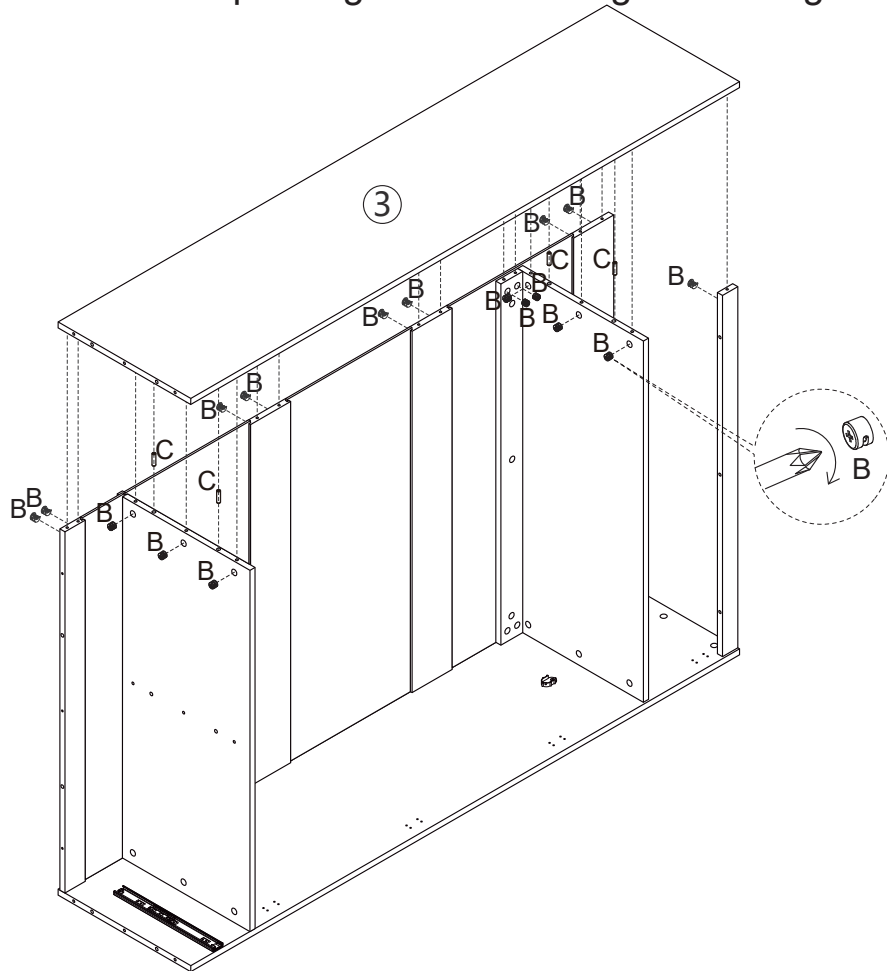




B		C	
Ø15*10mm Cam Lockk 17pcs		Ø8*30mm Dowel 4pcs	

4. Assemble back panel.

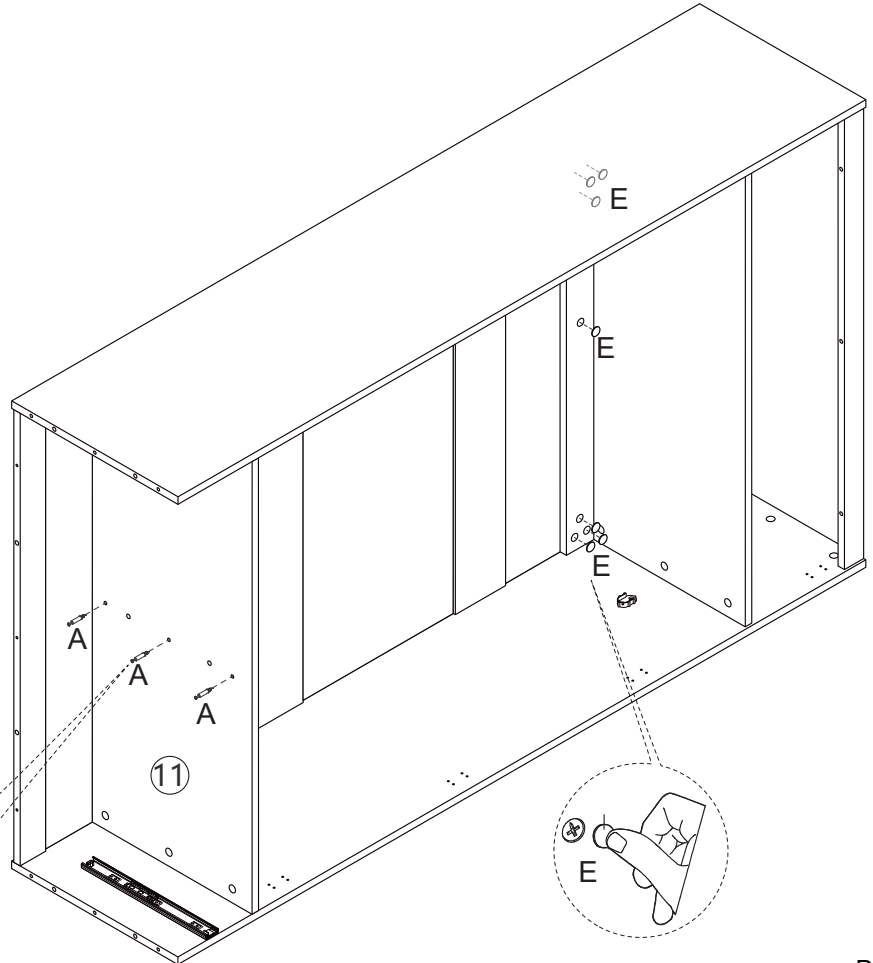



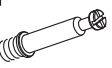
5. Assemble the panels of each part together according to the diagram.



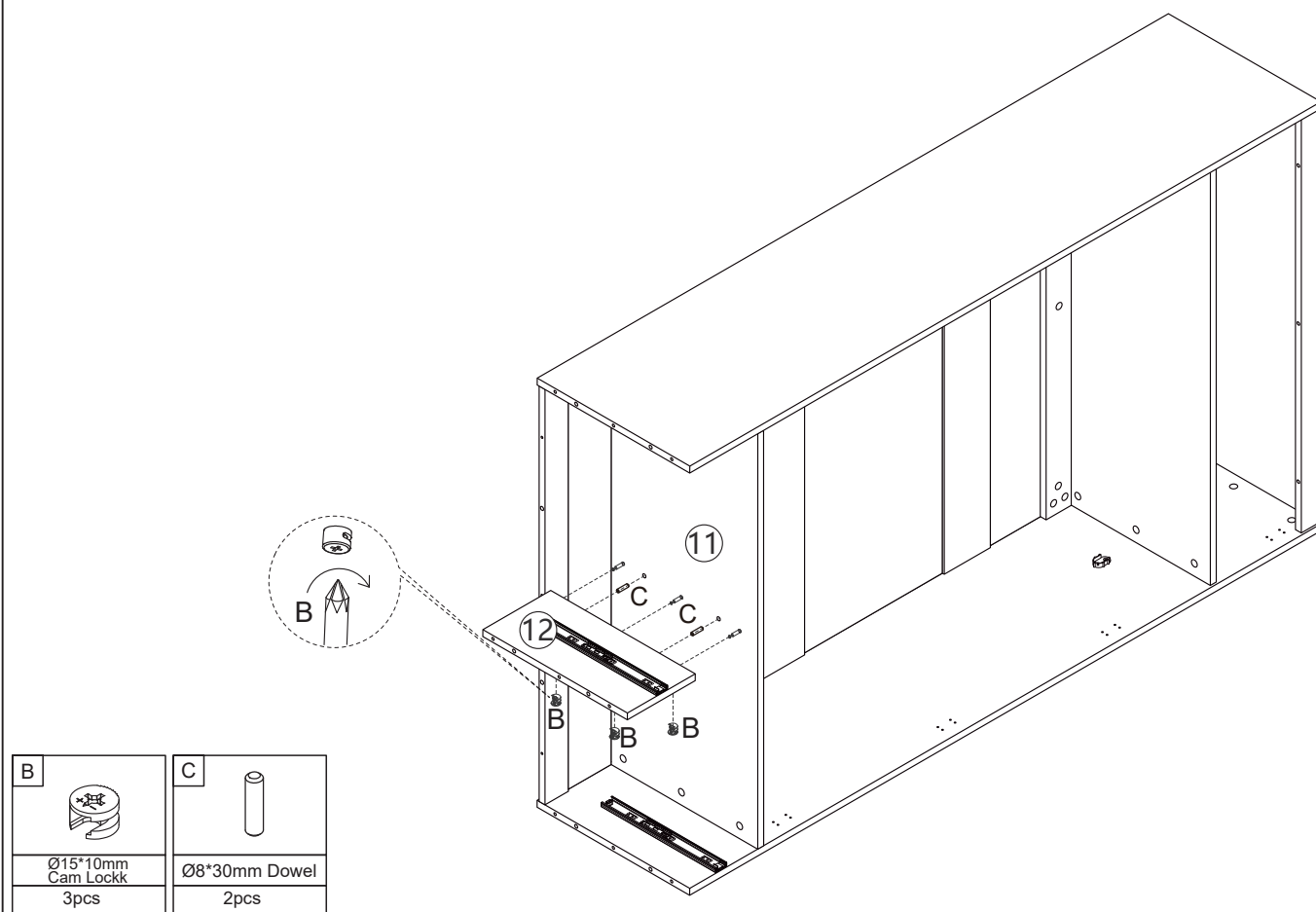
<p>B</p> 	<p>C</p> 
<p>Ø15*10mm Cam Lockk 17pcs</p>	<p>Ø8*30mm Dowel 4pcs</p>

6. Attach parts to the panel.

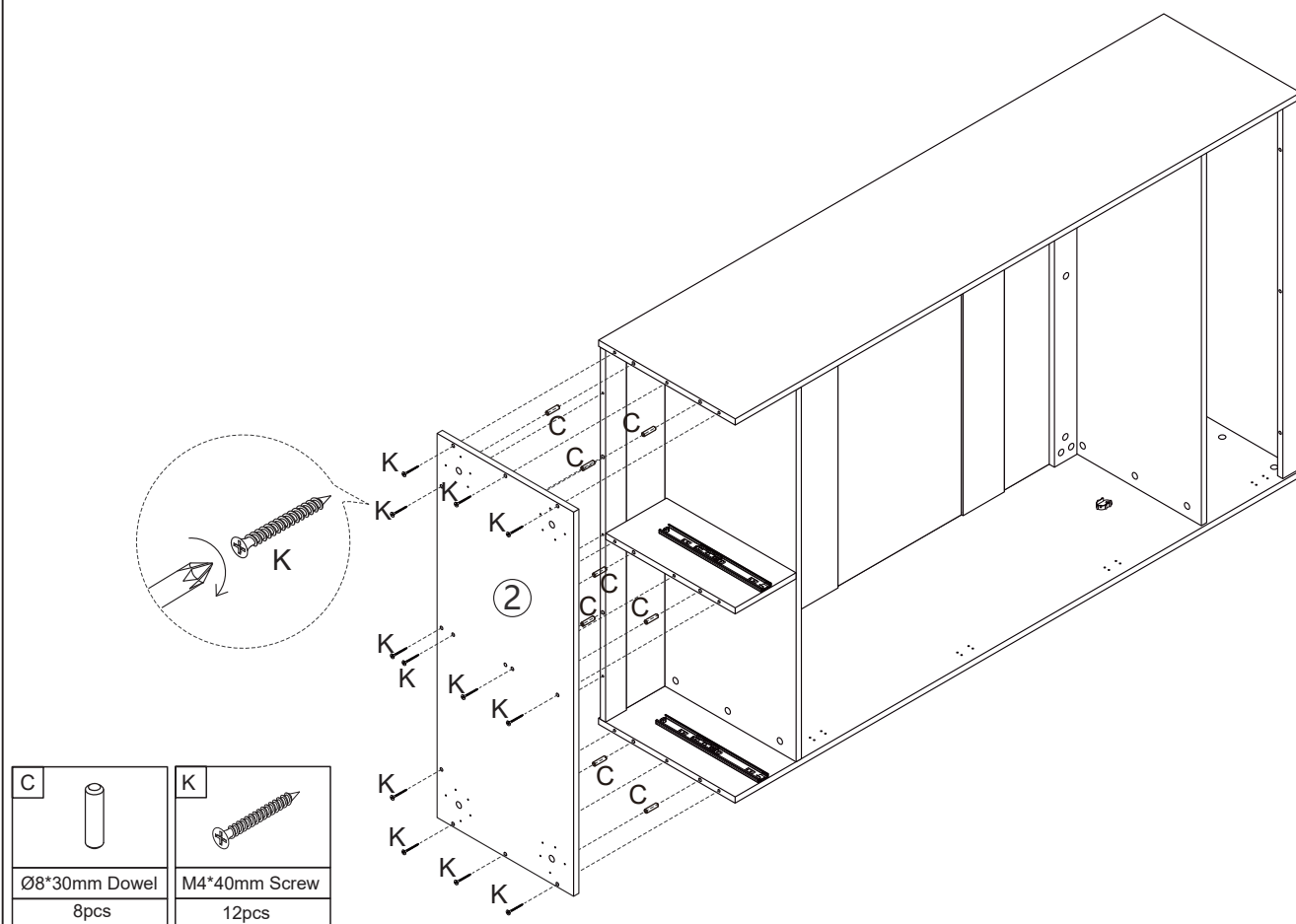


<p>E</p> 
<p>Cover 7pcs</p>
<p>A</p> 
<p>M5*35mm Cam Lock Screw 3pcs</p>

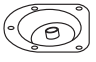
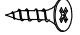
7. Attach parts to the panel.

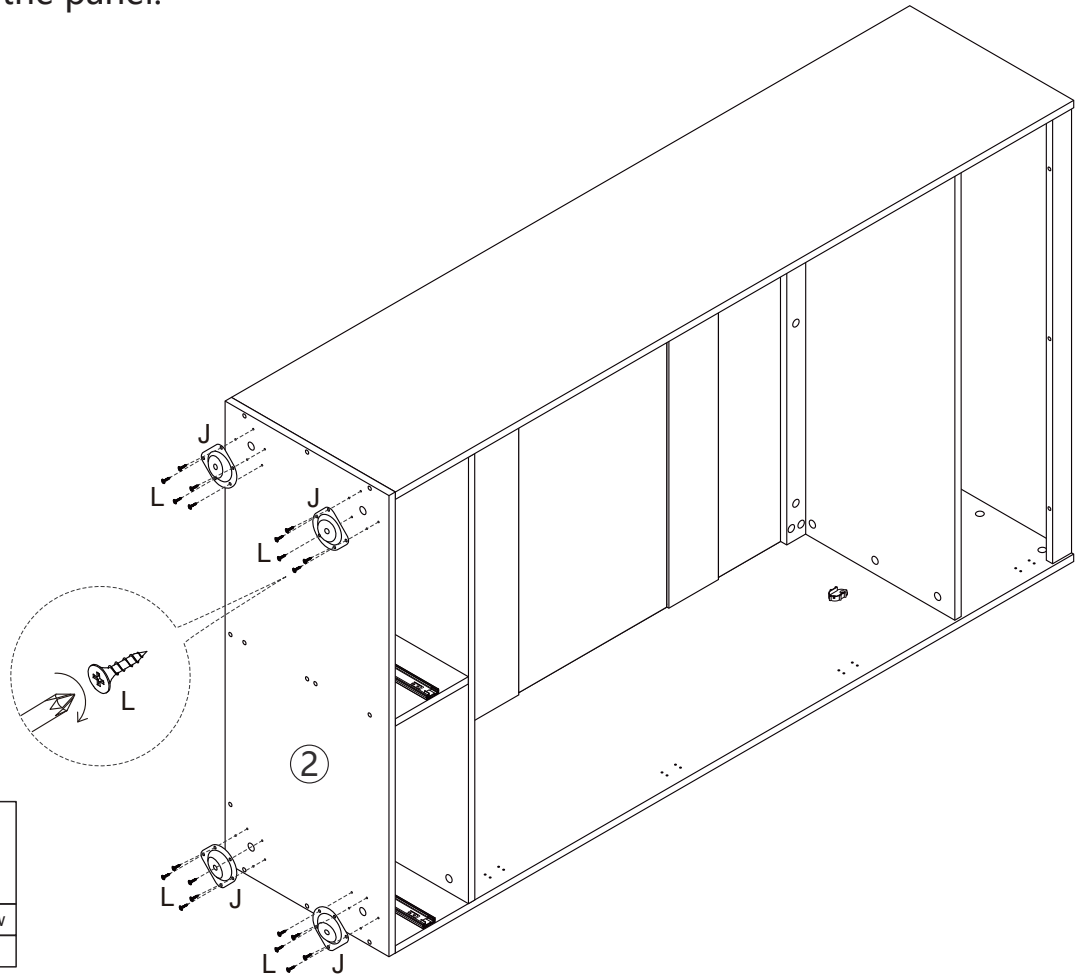


8. Attach panels to the bottom.

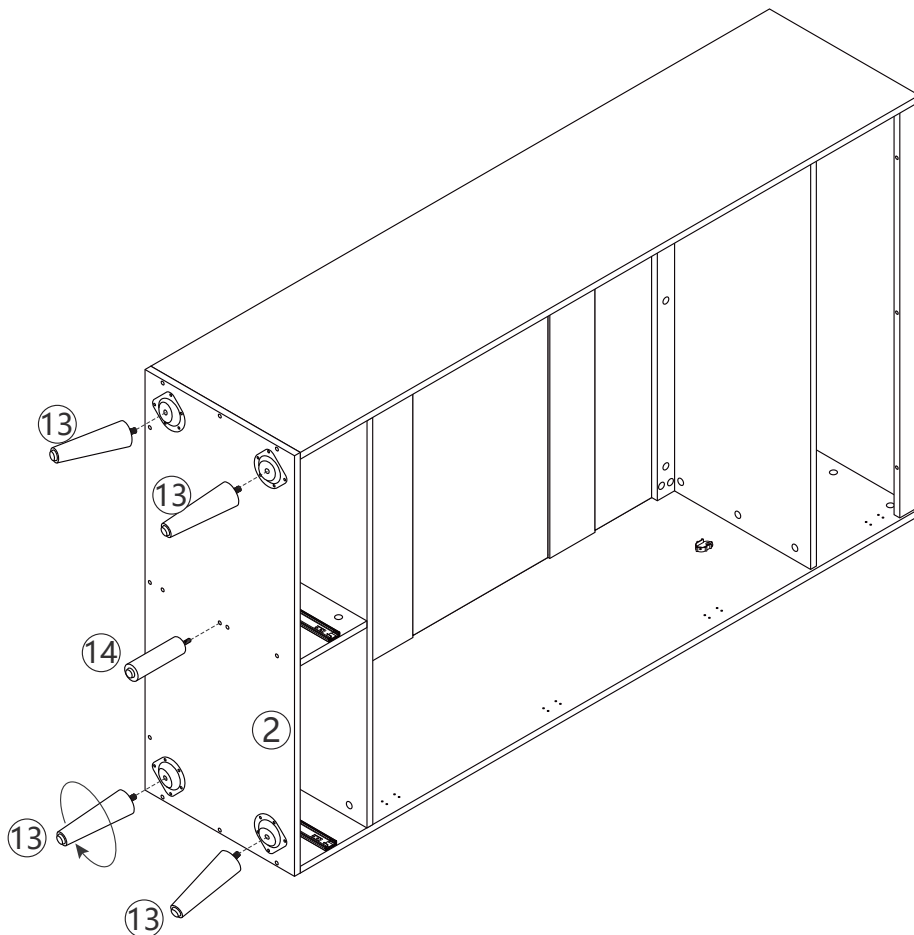


9. Attach parts to the panel.

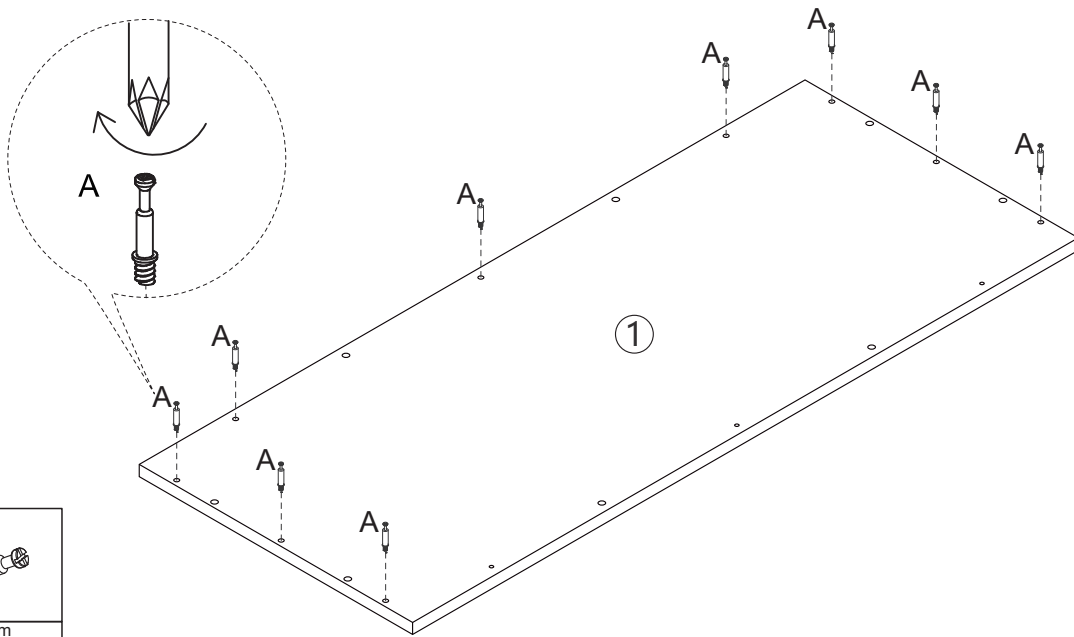
J	L
	
Iron Plate	M4*14mm Screw
4pcs	20pcs

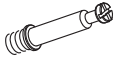


10. Attach Legs to the bottom.

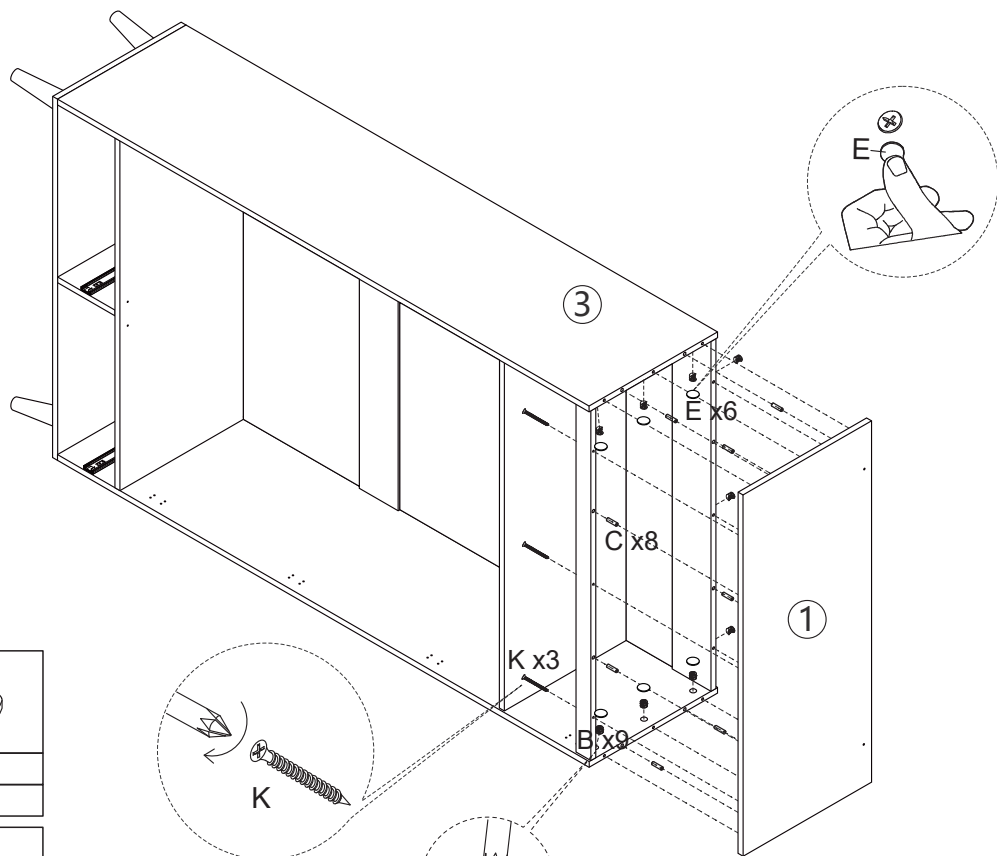






11. Attach parts to the top panel.



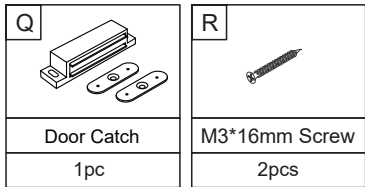
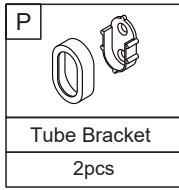
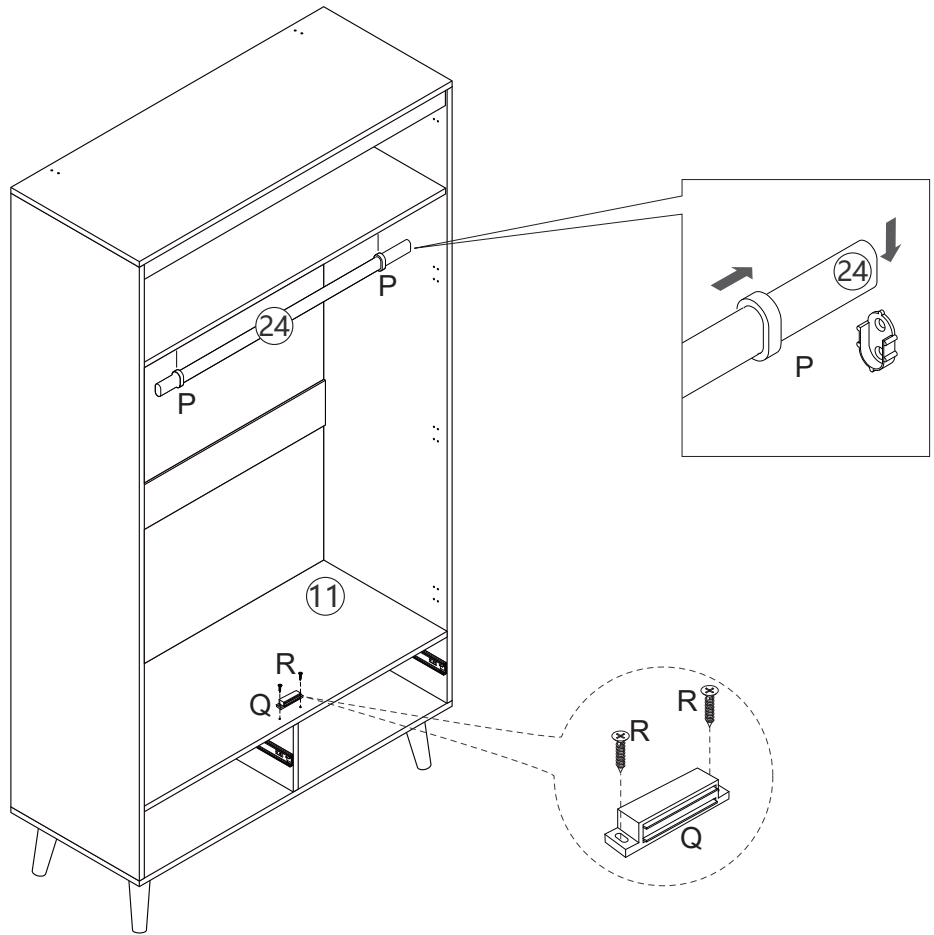
A	
M5*35mm Cam Lock Screw	
9pcs	

12. Attach the top panel to the frame.

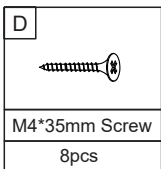
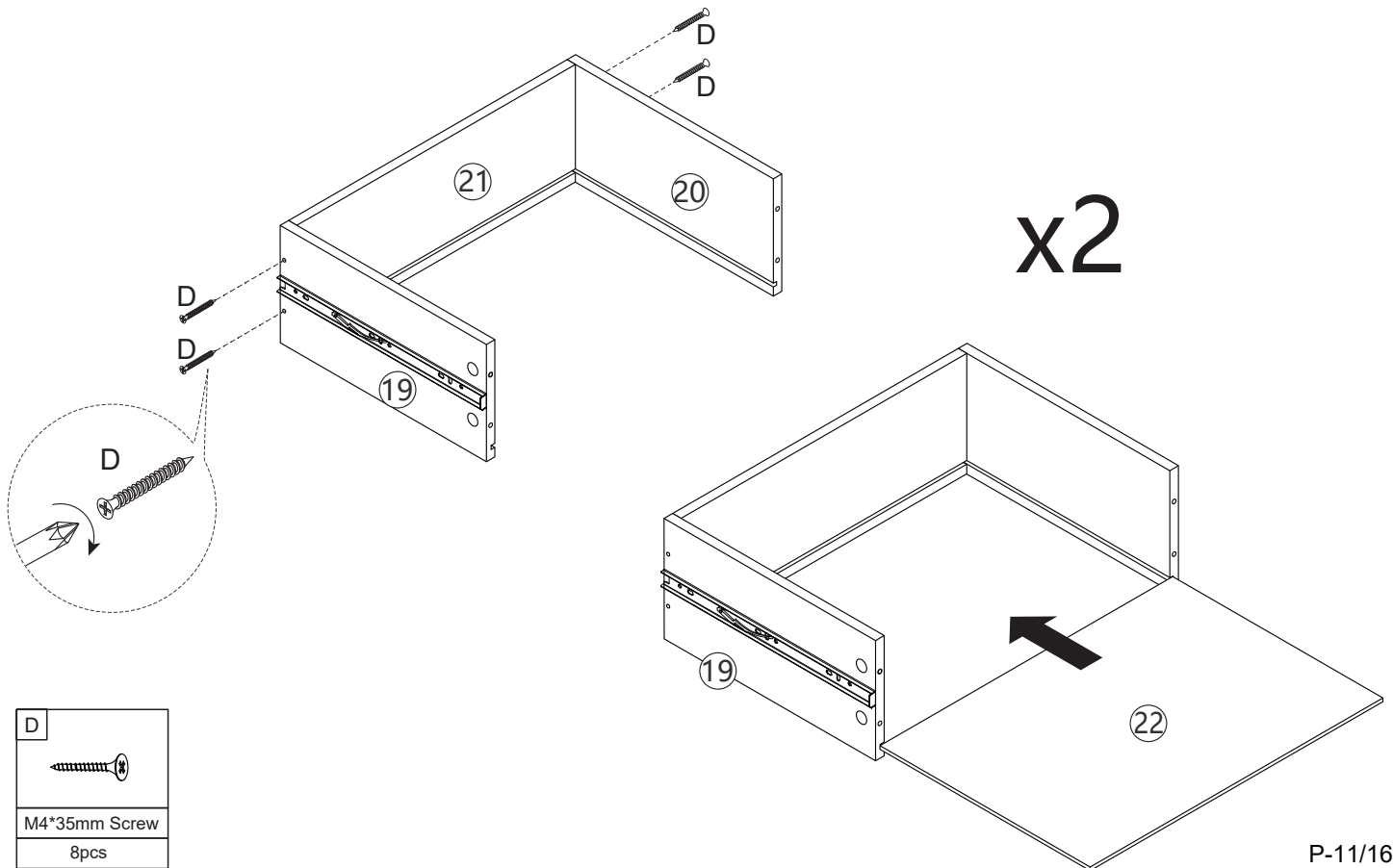


K		E	
M4*40mm Screw 3pcs		Cover 6pcs	
B		C	
Ø15*10mm Cam Lockk 9pcs		Ø8*30mm Dowel 8pcs	

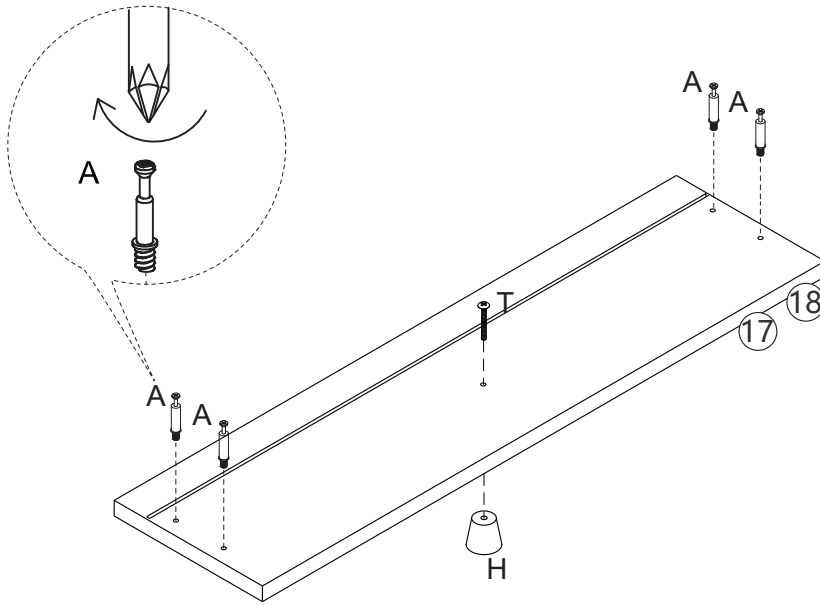
13. Attach hanging bar etc. to the panel.

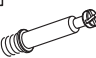




14. Assemble the drawer by following the steps shown in the illustration below.

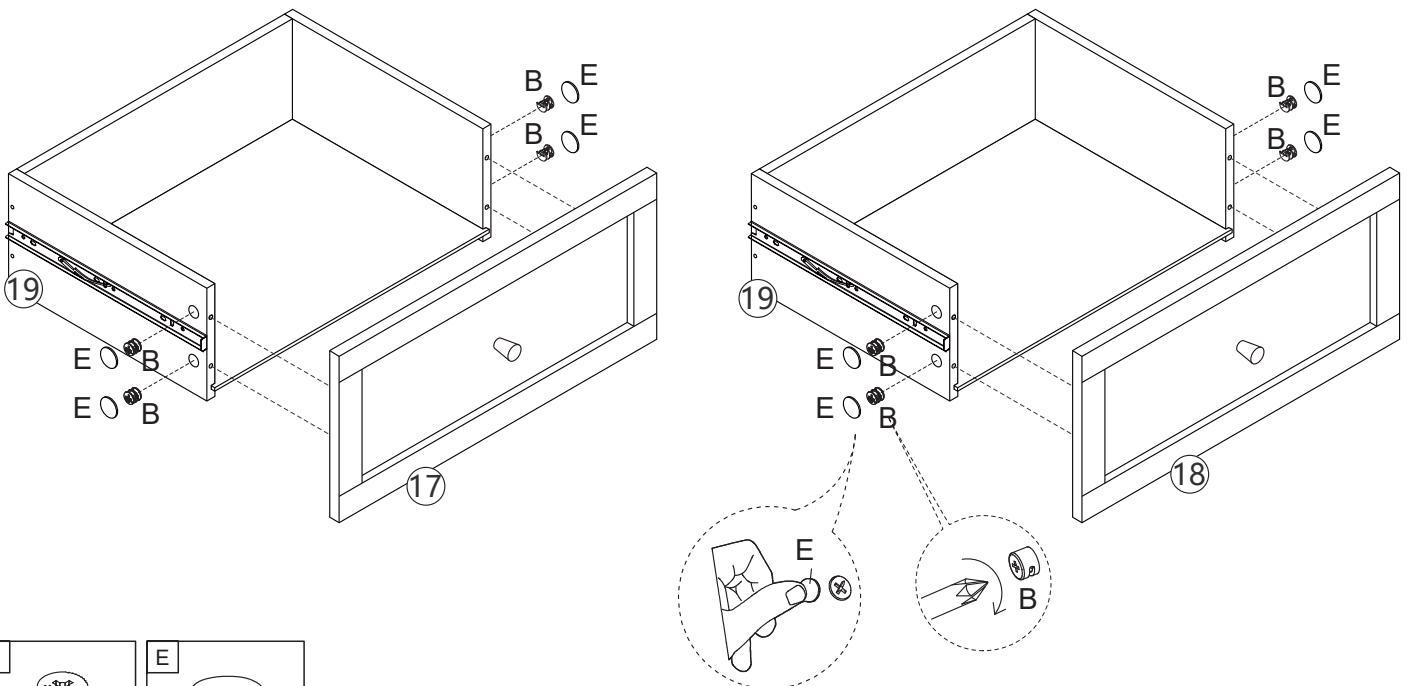




15. Attach parts to the drawer panel.



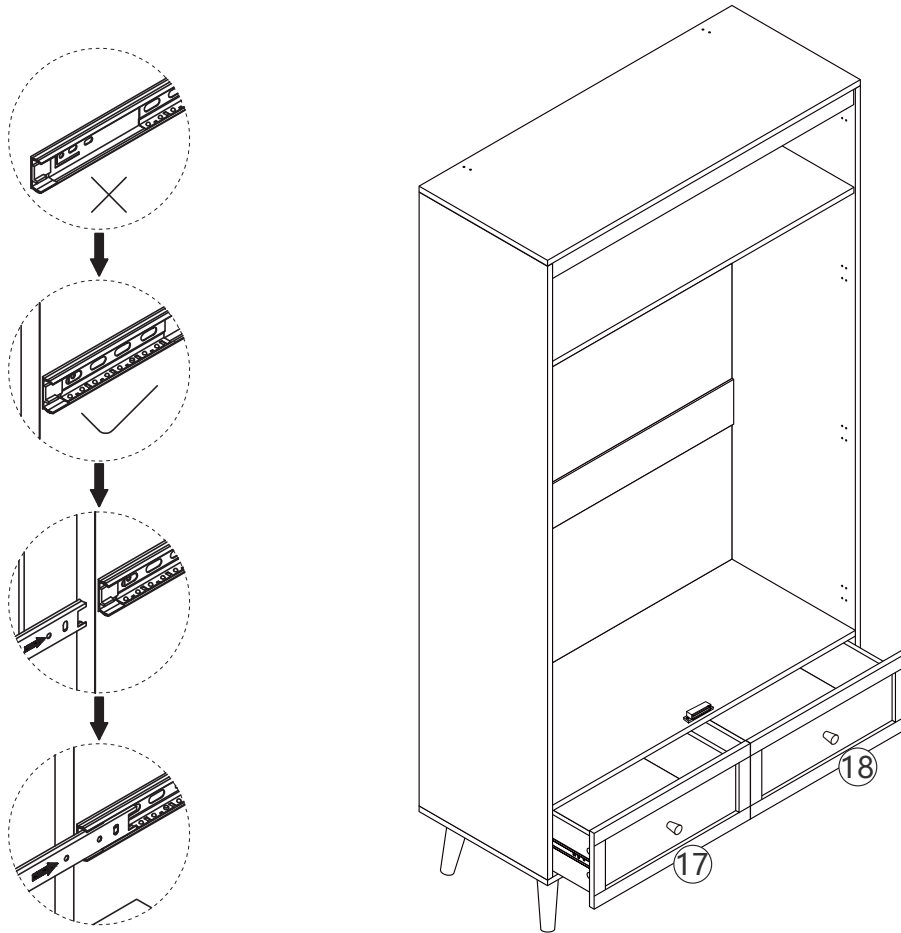
A 	H 	T 
M5*35mm Cam Lock Screw 8pcs	Handle 2pcs	M4*10mm Bolt 2pcs

16. Assemble the drawer by following the steps shown in the illustration below.

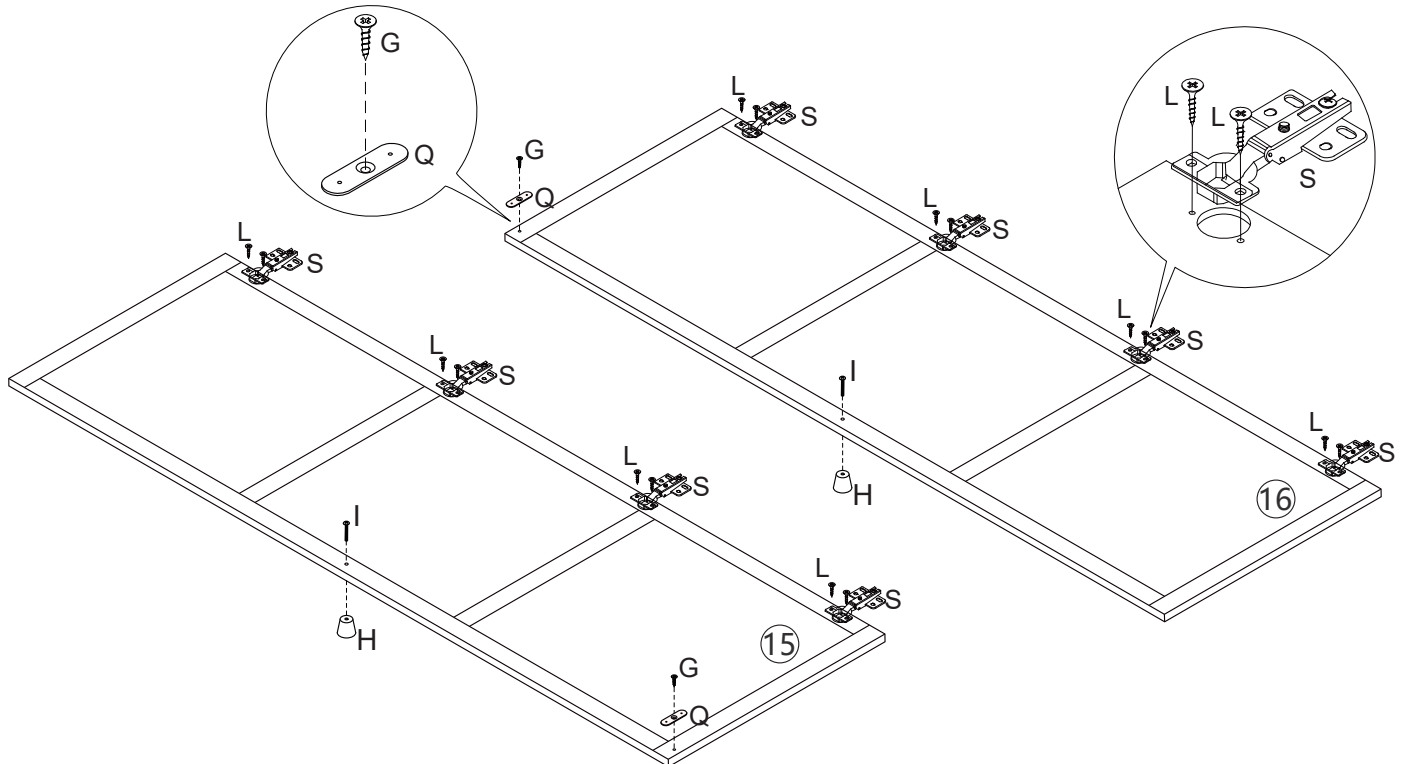






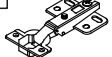

B 	E 
Ø15*10mm Cam Lock 8pcs	Cover 8pcs

17. Assemble drawer in the cabinet.

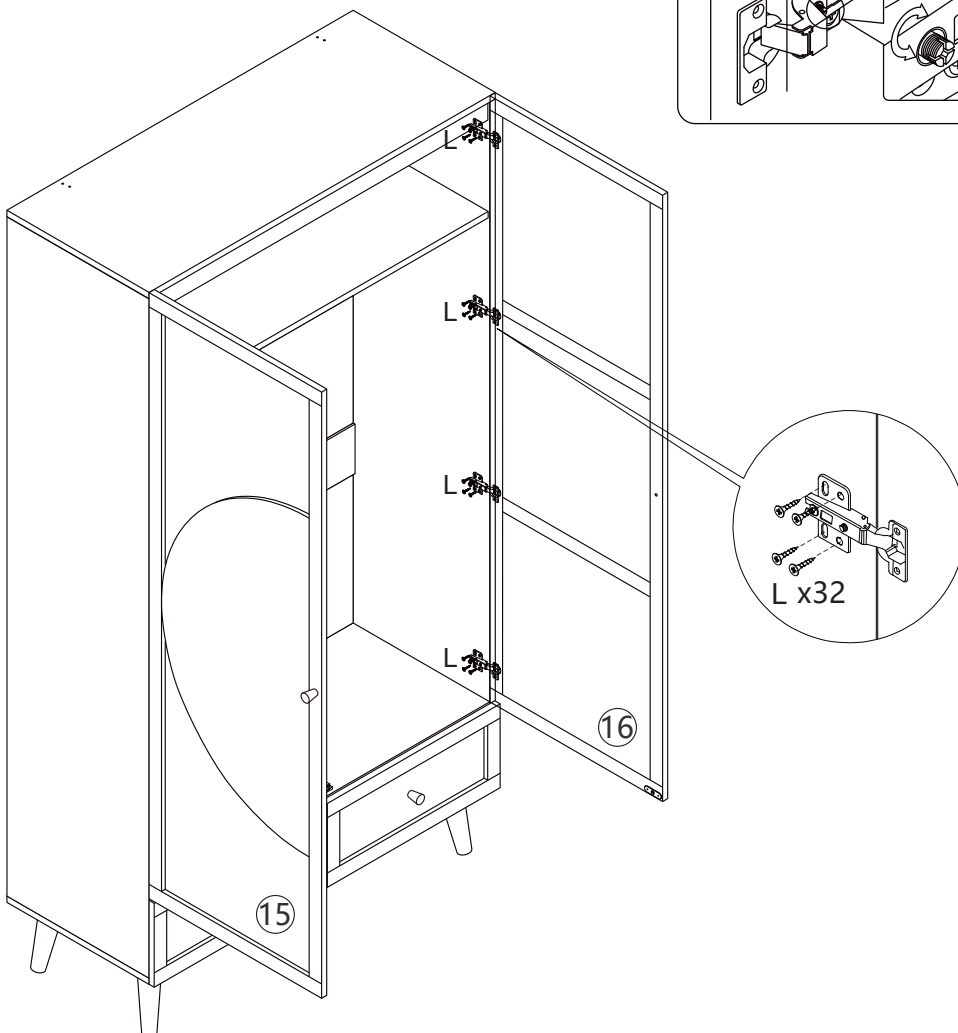
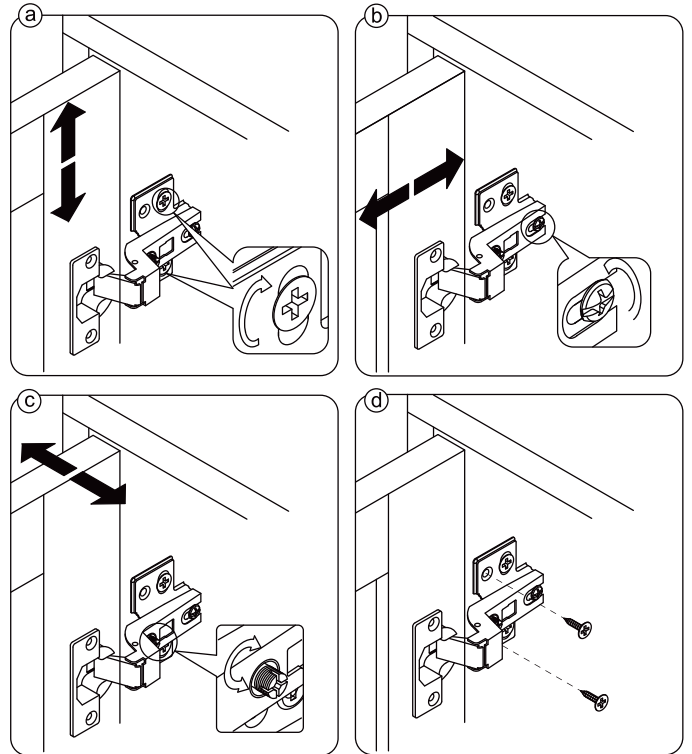


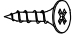
18. Attach parts to the door panel.



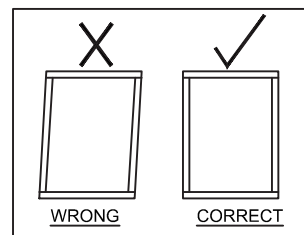
H	I	Q	G	S	L
					
Handle 2pcs	M4*18mm Bolt 2pcs	Door Catch 1pc	M3*12mm Screw 2pcs	Hinge 8pcs	M4*14mm Screw 16pcs

19. Assemble the door panel onto the cabinet and adjust it as shown in the picture, Make the door gap even and smooth.

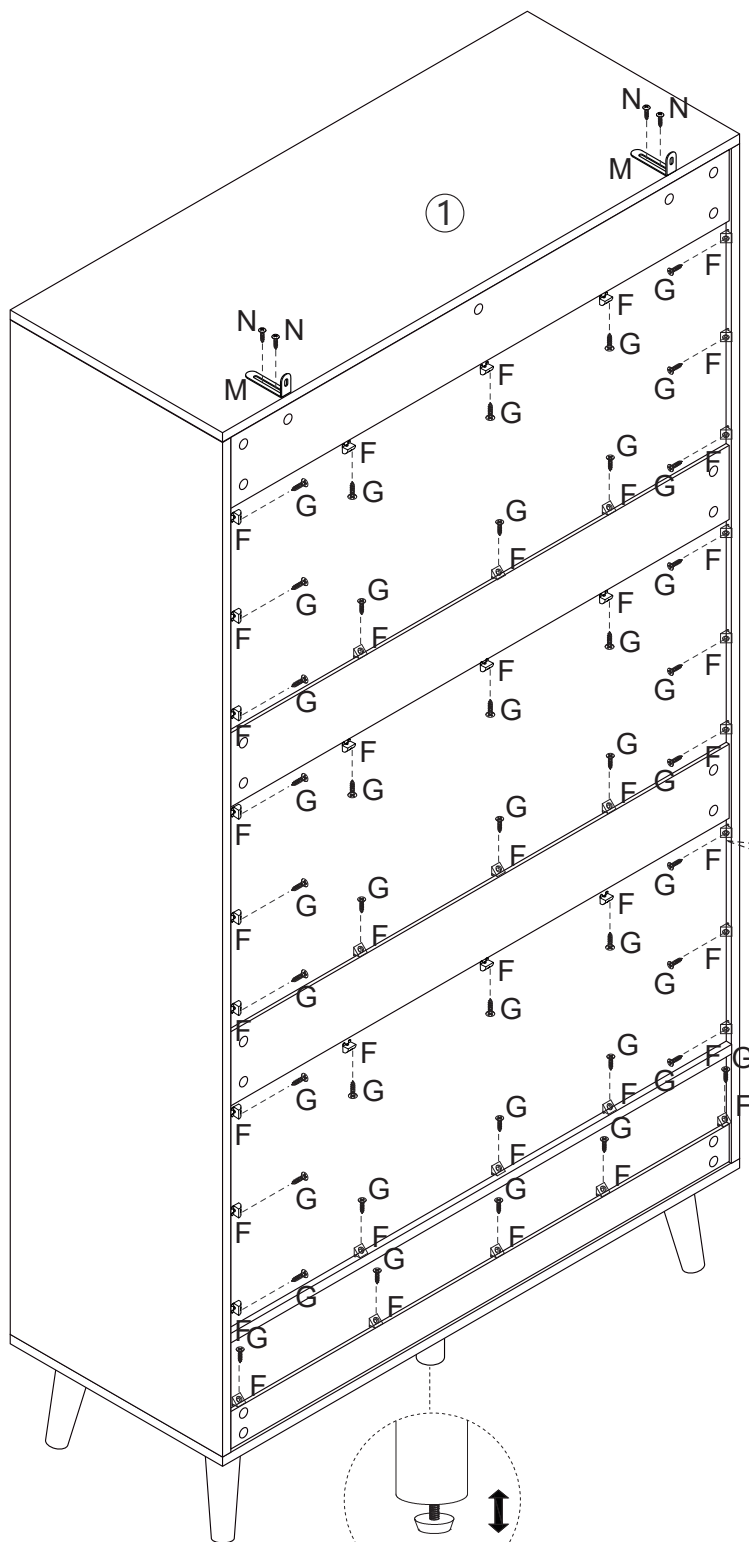






L

M4*14mm Screw
32pcs

20. Attach the plastic buckles and screws etc.

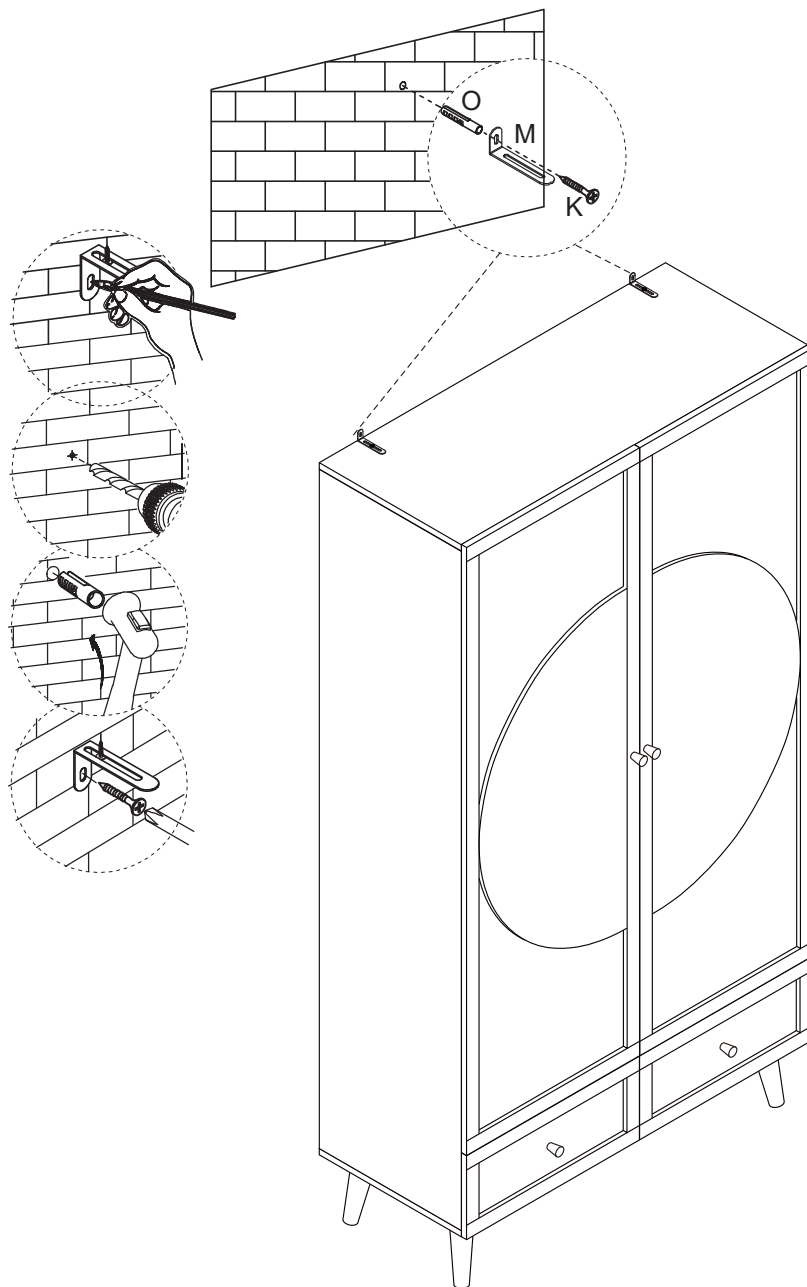




NB: Before tightening the plastic buckles and screws, please ensure the frame is square



F 	G 	M 	N 
Plastic Buckle 41pcs	M3*12mm Screw 41pcs	Wall Bracket 2pcs	M4*12mm Screw 4pcs

21. Drill holes in the wall, insert expansion bolts, and then fix the furniture to the wall with screws.



	
M8*40mm Wall Anchor 2pcs	M4*40mm Screw 2pcs