

DUSK.COM

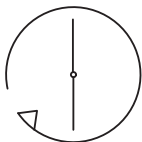
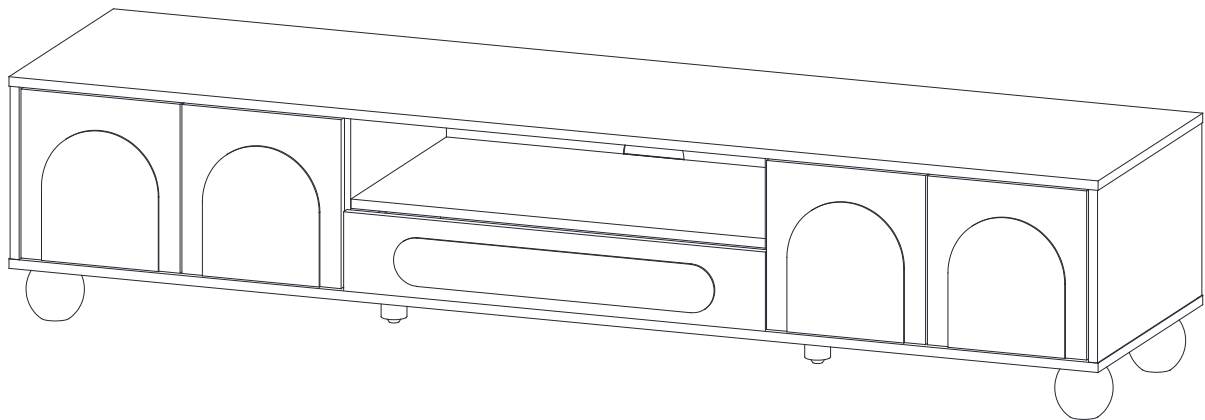
LIVING | BEDROOM | DINING

Range Name : Rachel

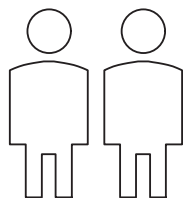
Box1 Dimension : W195xD57xH21cm

Product Dimension : W180xD45xH40cm

TV Unit



Up to 90 minutes
assembly time



Two person
assembly



Electric screwdriver
prohibited

This product is intended for domestic use only, not for commercial purposes.

P-1-13
V-2.0

IMPORTANT

ASSEMBLY TIP

Before you begin, it's best to identify all of the parts and fittings to build your Rachel TV Unit frame. We advise laying these out on the floor to check you have everything, and to familiarise yourself with all of the parts and fittings before building.

TOP TIP

We recommend that you assemble the Rachel TV Unit in the room you'd like it to be located. This will help prevent any risk of damage to the frame whilst moving it.

SAFETY AND CARE

It's important to ensure children and animals are kept away from the assembly area, as there are small components used in this product which could present a choking hazard. All plastic and wrapping materials should also be kept away from children and animals to prevent any risk of suffocation.

HELP AND SUPPORT

Please contact our customer service team on 0113 519 0311 if you have any questions or issues with your purchase.

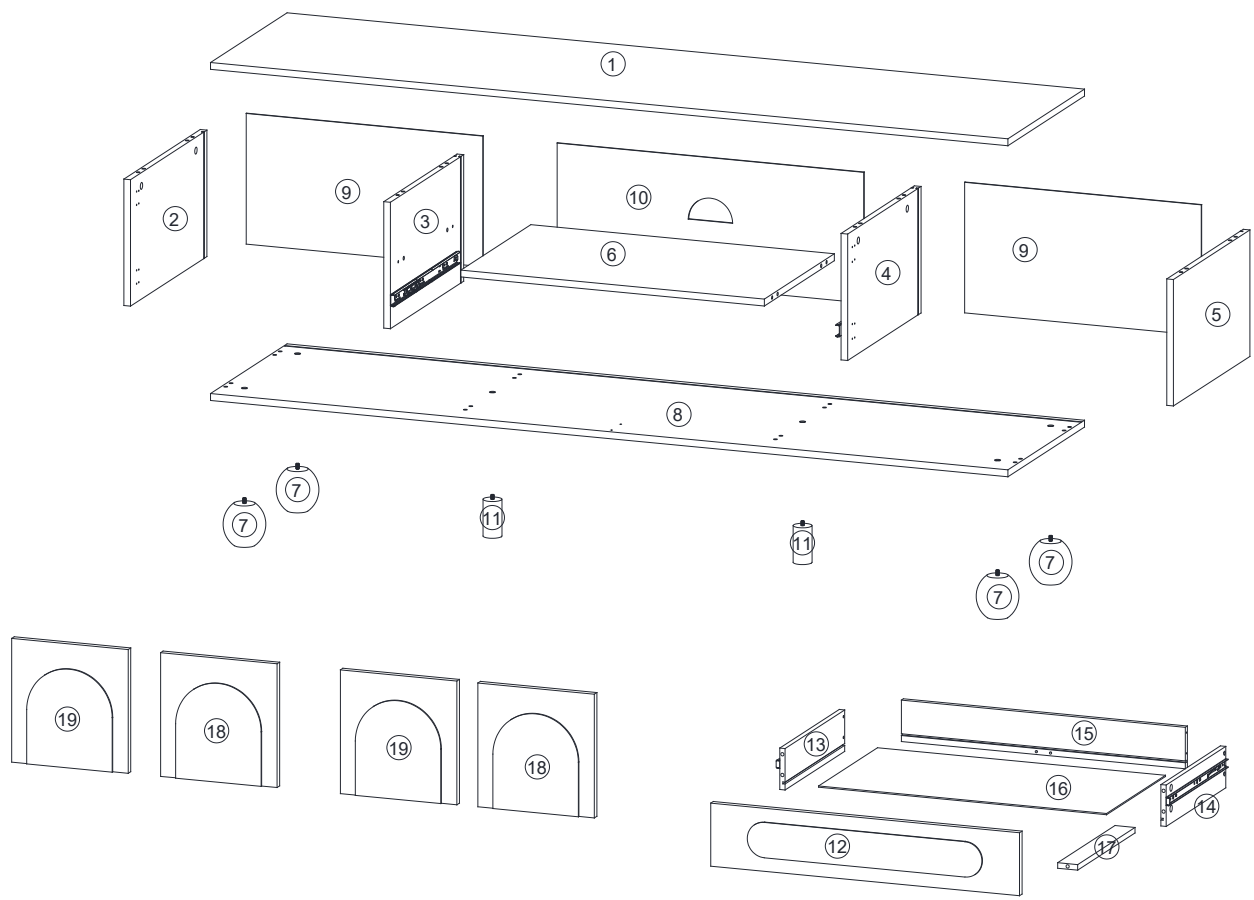
RECYCLING

Please ensure that packaging is disposed of in a safe and environmentally friendly way, and recycle where possible. Please keep your assembly instructions safe to refer back to in the future.

CARE AND MAINTENANCE:

1. Only clean using a damp cloth, do not use bleach or abrasive cleaners as they may damage the finish over time.
2. Do not use a very wet cloth or allow any liquid to contact with the veneer for a long period of time. Wipe any spillage immediately. Absorption can cause wood to warp or finishes to de-laminate.
3. Do not scrub or rub the surface when cleaning.
4. Do not drag the Rachel TV Unit when moving, lift it off the floor instead.
5. Use a placemat or a coaster when putting hot items (e.g. hot drinks and dishes) on the wood surface.
6. It is not recommended to place the item next to sources of heat such as radiators, fires or directly exposed to sunlight. This may cause the wood to crack, split or fade due to the heat and humidity.
7. Wood will mellow and change colour over time, we recommend that ornaments and items placed on the surface to be moved regularly to prevent uneven mellowing.
8. Regularly check all fixings to ensure none have come loose. Re-tighten if necessary.
9. Avoid sharp items such as a screwdriver or any pointy tools.
10. Dispose of all packaging carefully and responsibly - recycle where possible.

Parts list



Parts list

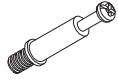




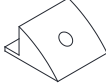

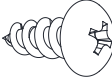
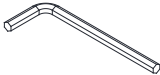
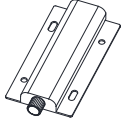
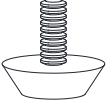


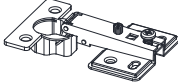
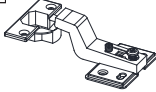


Before you begin building your Rachel TV Unit, please take a moment to read through the instruction sandmake surethat you have all the relevant parts listed on the parts check list.

Part Number	Part Description	Quantity	Box No
①	Top Panel	1pc	Box 1
②	Left Side Panel	1pc	Box 1
③	Left Middle Panel with Slide	1pc	Box 1
④	Right Middle Panel with Slide	1pc	Box 1
⑤	Right Side Panel with Slide	1pc	Box 1
⑥	Shelf	1pc	Box 1
⑦	Leg	4pcs	Box 1
⑧	Bottom Panel	1pc	Box 1
⑨	Back Panel	2pcs	Box 1
⑩	Back Middle Panel	1pc	Box 1
⑪	Centre Leg	2pcs	Box 1
⑫	Drawer Front	1pc	Box 1
⑬	Drawer Left Side With Slide	1pc	Box 1

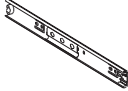
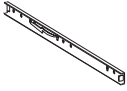

Part Number	Part Description	Quantity	Box No
⑭	Drawer Right Side With Slide	1pc	Box 1
⑮	Drawer Back Panel	1pc	Box 1
⑯	Drawer Bottom	1pc	Box 1
⑰	Drawer Floor	1pc	Box 1
⑱	Left Door Panel	2pcs	Box 1
⑲	Right Door Panel	2pcs	Box 1

Fittings

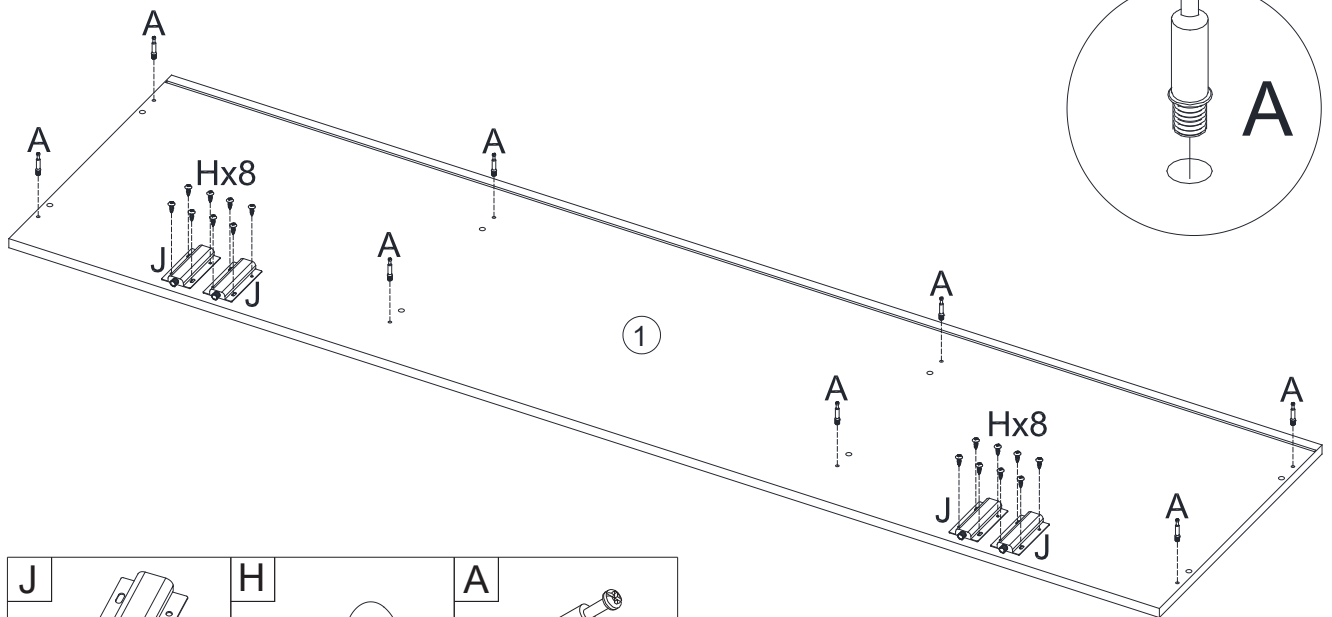
Please check you have all the fittings listed below with your product in box 1.

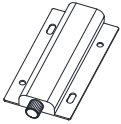
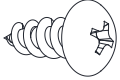
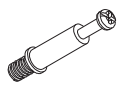
<p>A</p>  <p>M6*35mm Bolt 17pcs+2pcs extra</p>	<p>B</p>  <p>15*10mm Cam Lock 17pcs+2pcs extra</p>	<p>C</p>  <p>8*30mm Dowel 20pcs+1pc extra</p>	<p>D</p>  <p>M4*35mm Screw 6pcs</p>	<p>E</p>  <p>Cover 12pcs+1pc extra</p>
<p>F</p>  <p>Plastic Buckle 12pcs+1pc extra</p>	<p>G</p>  <p>M7*40mm Screw 8pcs+1pc extra</p>	<p>H</p>  <p>M3*12mm Screw 20pcs+2pcs extra</p>	<p>I</p>  <p>Allen Key 1pc</p>	<p>J</p>  <p>Pusher 5pcs</p>
<p>K</p>  <p>Wall Bracket 2pcs</p>	<p>L</p>  <p>Pad 4pcs</p>	<p>M</p>  <p>M3*16mm Screw 12pcs+1pc extra</p>	<p>N</p>  <p>Hinge 4pcs</p>	<p>O</p>  <p>Hinge 4pcs</p>
<p>P</p>  <p>M3.5*12mm Screw 48pcs+5pcs extra</p>	<p>Q</p>  <p>M4*10mm Screw 4pcs</p>			

Pre-assembled Fittings

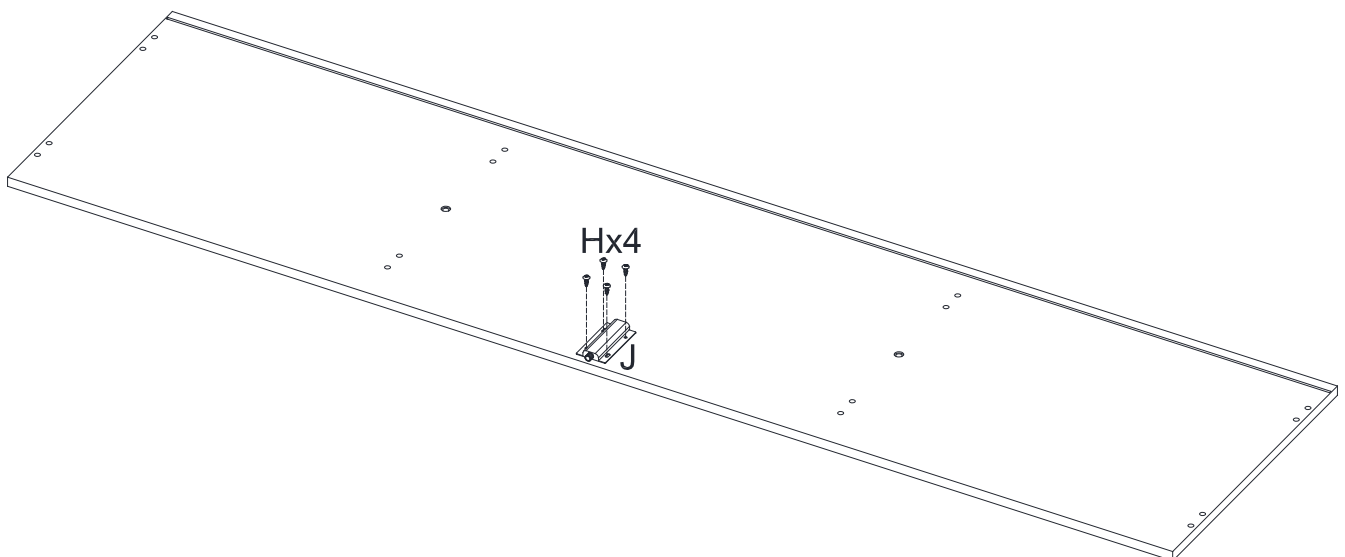
<p>S-1</p>  <p>Slide 2pcs</p>	<p>S-2</p>  <p>Slide 2pcs</p>	<p>T</p>  <p>M3*12mm Screw 12pcs</p>
---	---	--

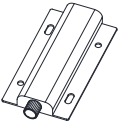

1. Attach parts to the boards.



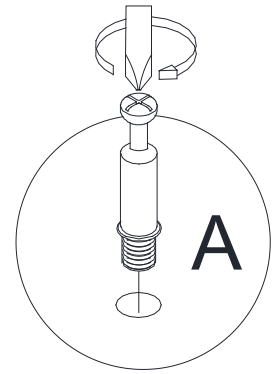
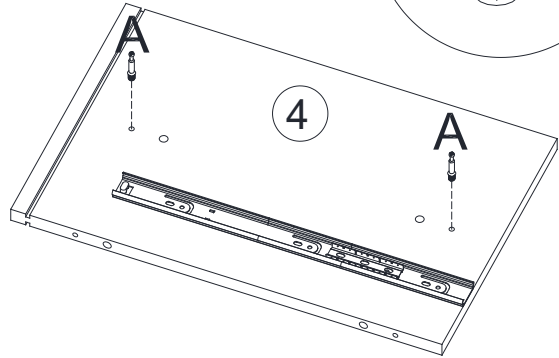
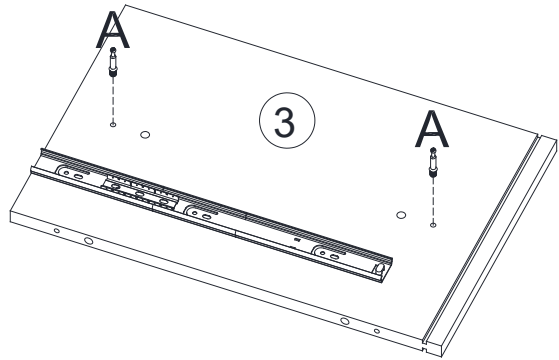
J 	H 	A 
Pusher 4pcs	M3*12mm Screw 16pcs	M6*35mm Bolt 8pcs

2. Attach parts to the boards.



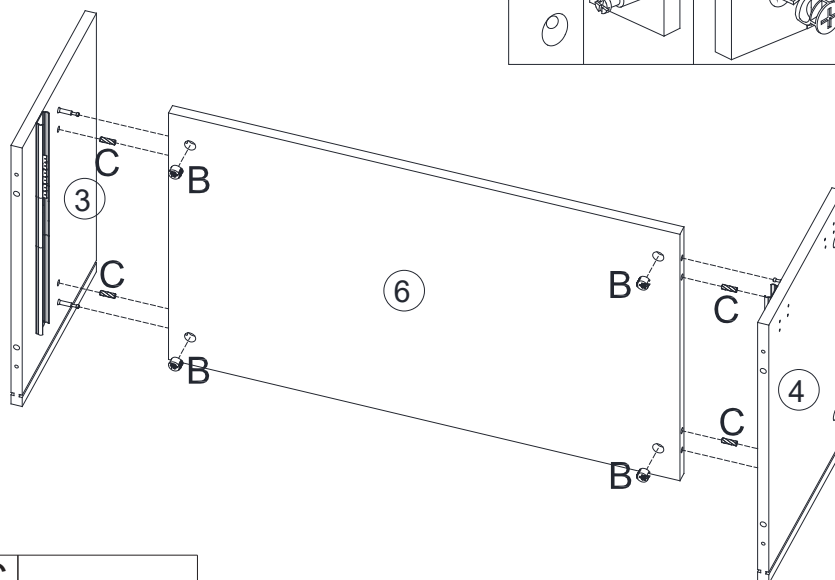
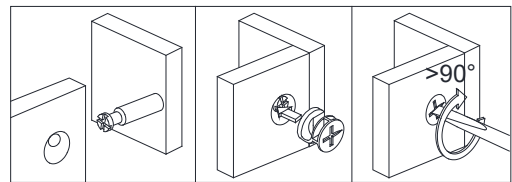
J 	H 
Pusher 1pc	M3*12mm Screw 4pcs

3. Attach parts to the boards.



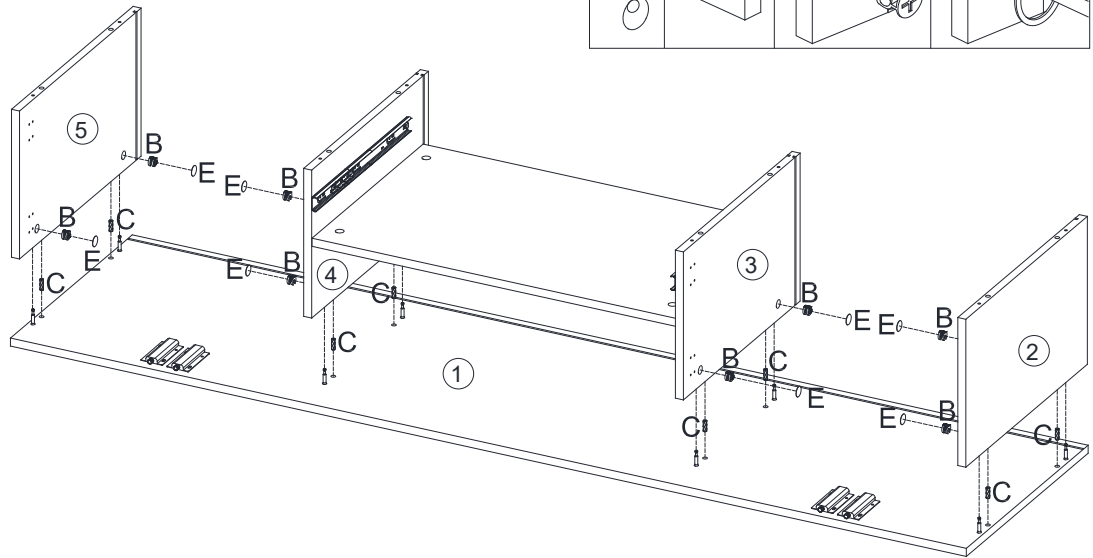
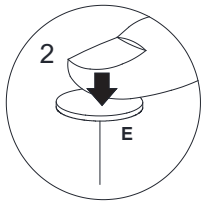
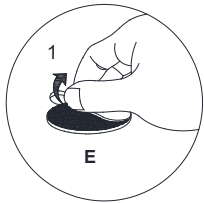
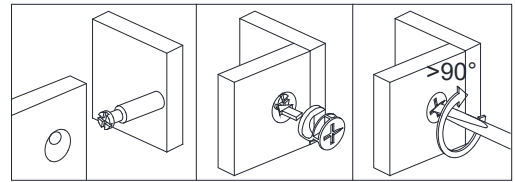
A	
M6*35mm Bolt	
4pcs	

4.



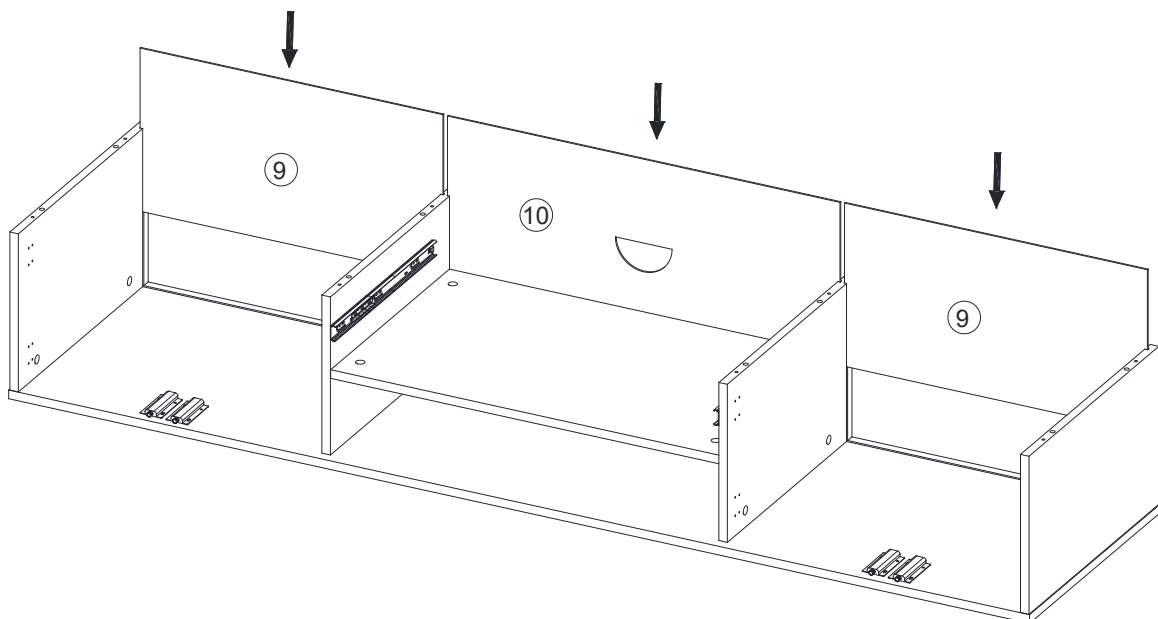
B		C	
15*10mm Cam Lock		8*30mm Dowel	
4pcs		4pcs	

5. Assemble boards to the frame.

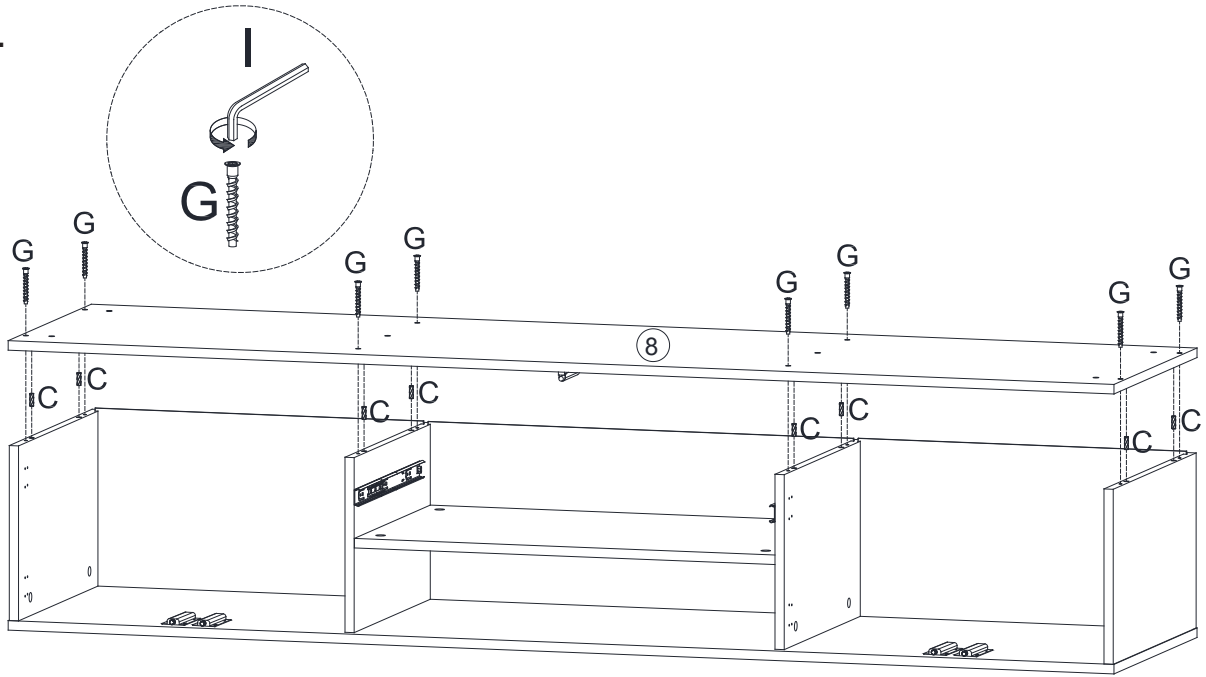


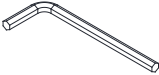


B	C	E
15*10mm Cam Lock	8*30mm Dowel	Cover
8pcs	8pcs	8pcs

6. Assemble boards to the frame.

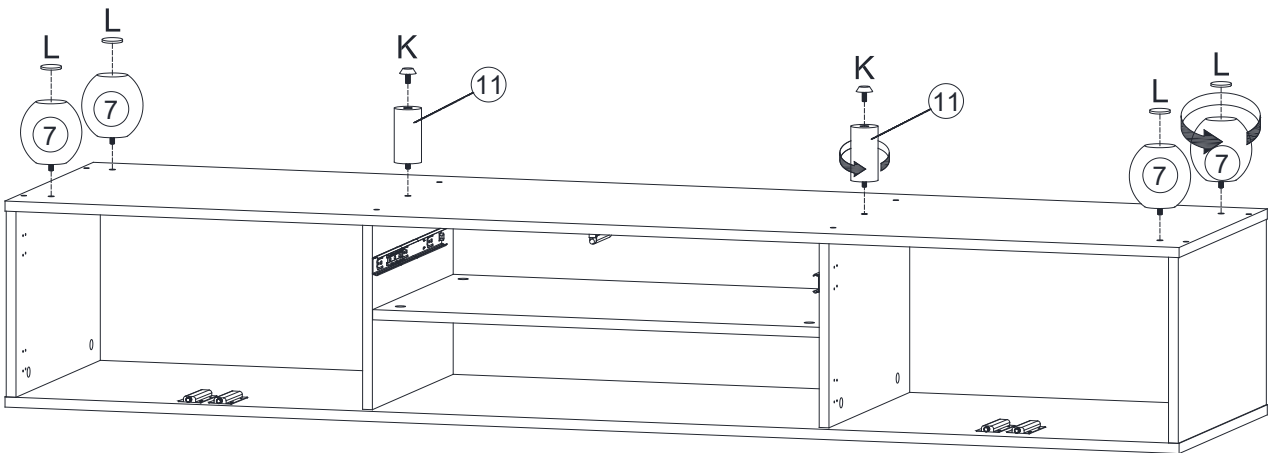



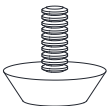
7.



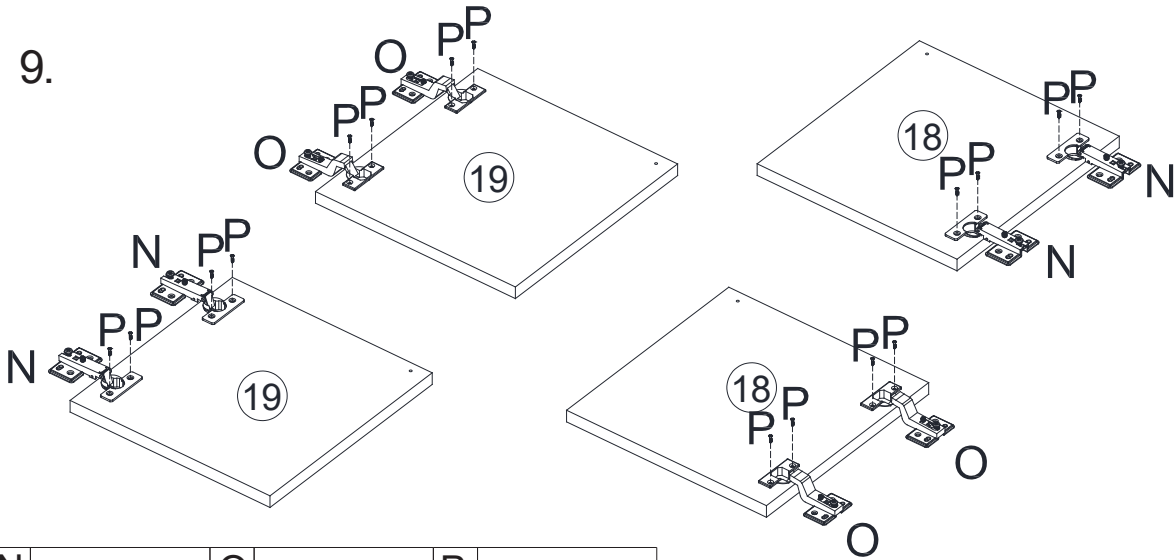
I	C	G
		
Allen Key 1pc	8*30mm Dowel 8pcs	M7*40mm Screw 8pcs

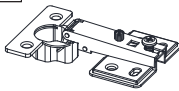
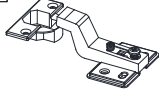

8.



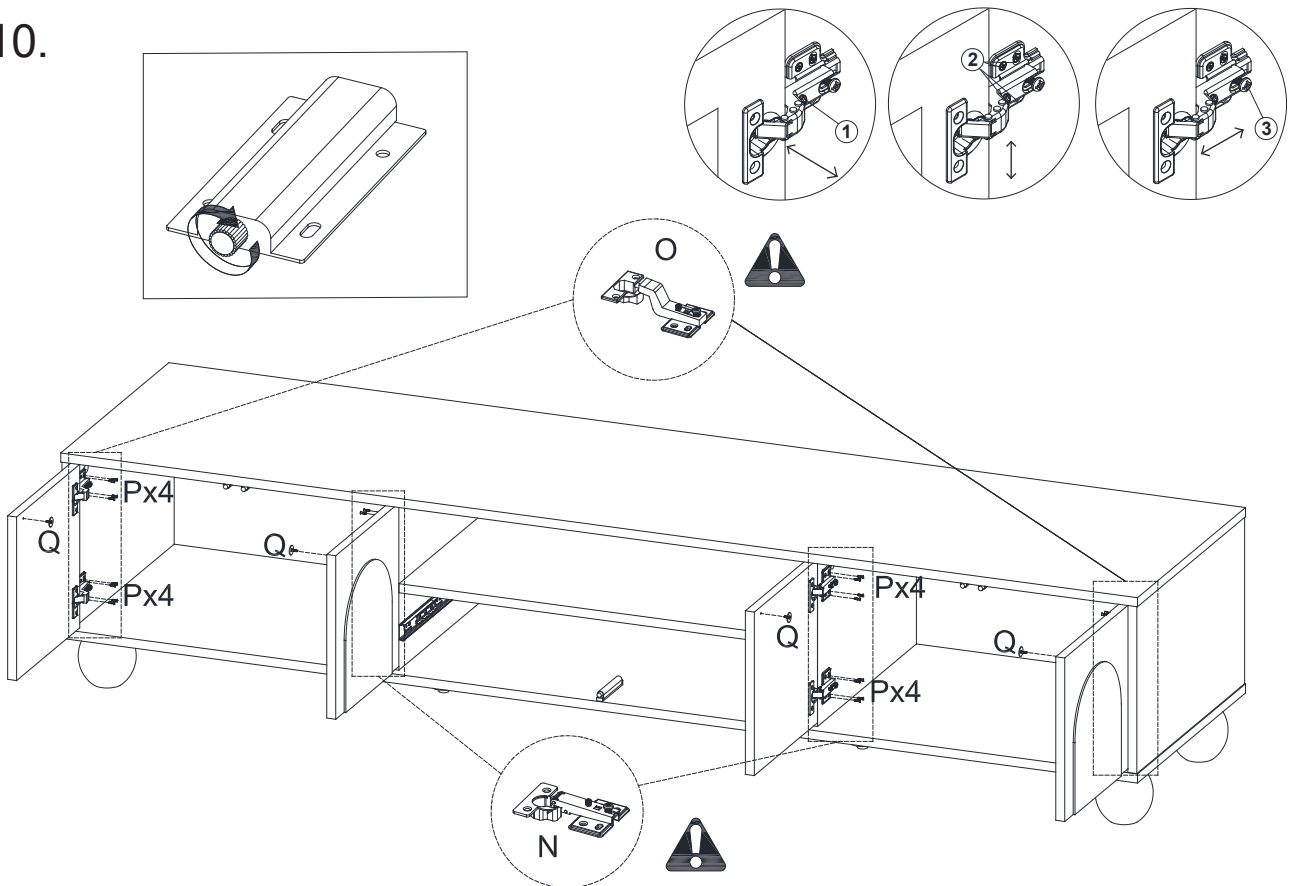
L	K
	
Pad 4pcs	Wall Bracket 2pcs

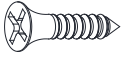

9.



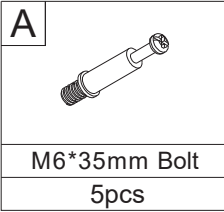
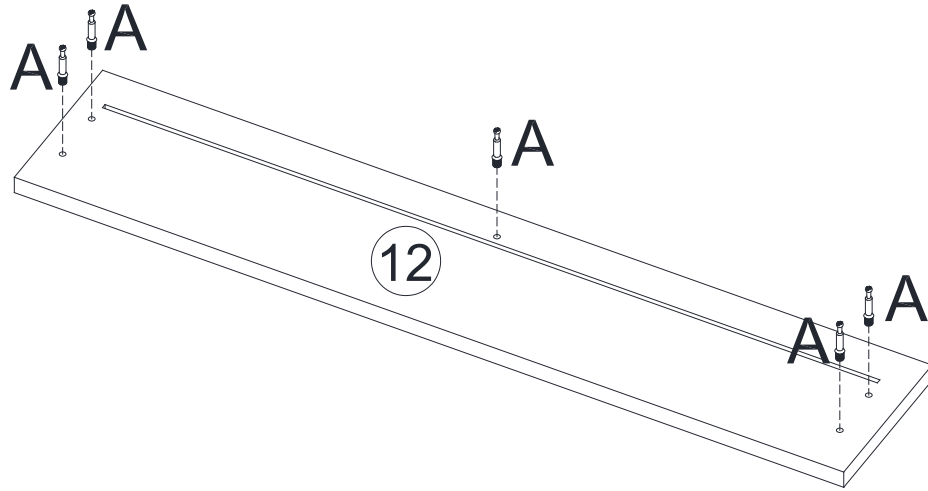
<p>N</p> 	<p>O</p> 	<p>P</p> 
<p>Hinge 4pcs</p>	<p>Hinge 4pcs</p>	<p>M3.5*12mm Screw 16pcs</p>

10.

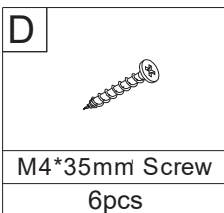
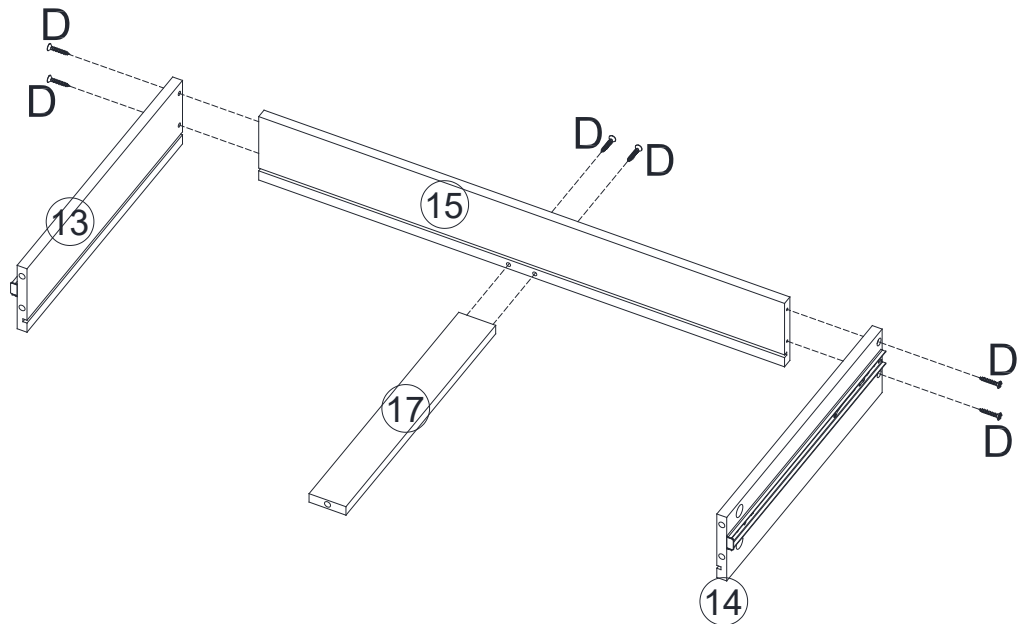


<p>P</p> 	<p>Q</p> 
<p>M3.5*12mm Screw 32pcs</p>	<p>M4*12mm Screw 4pcs</p>

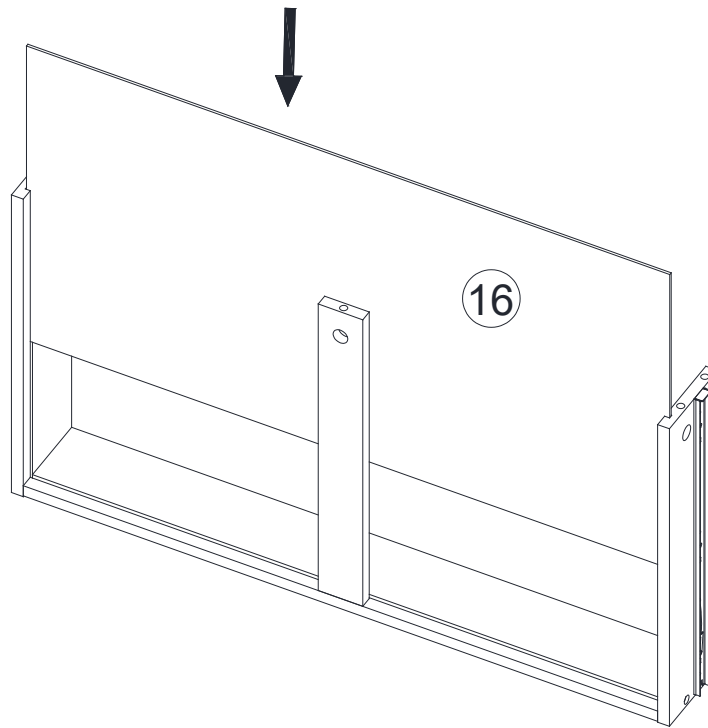
11.



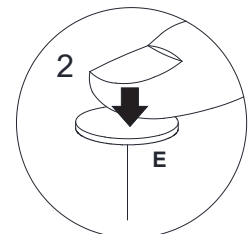
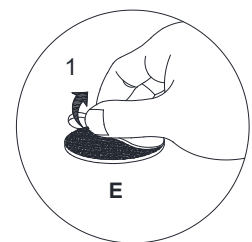
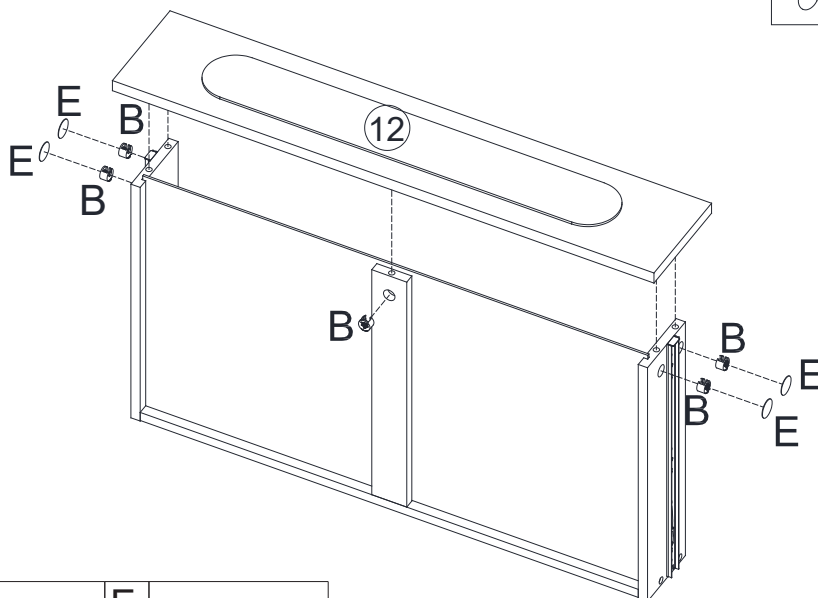
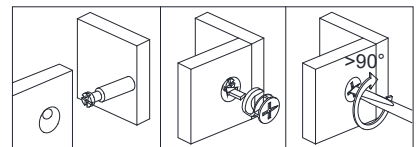
12.





13.

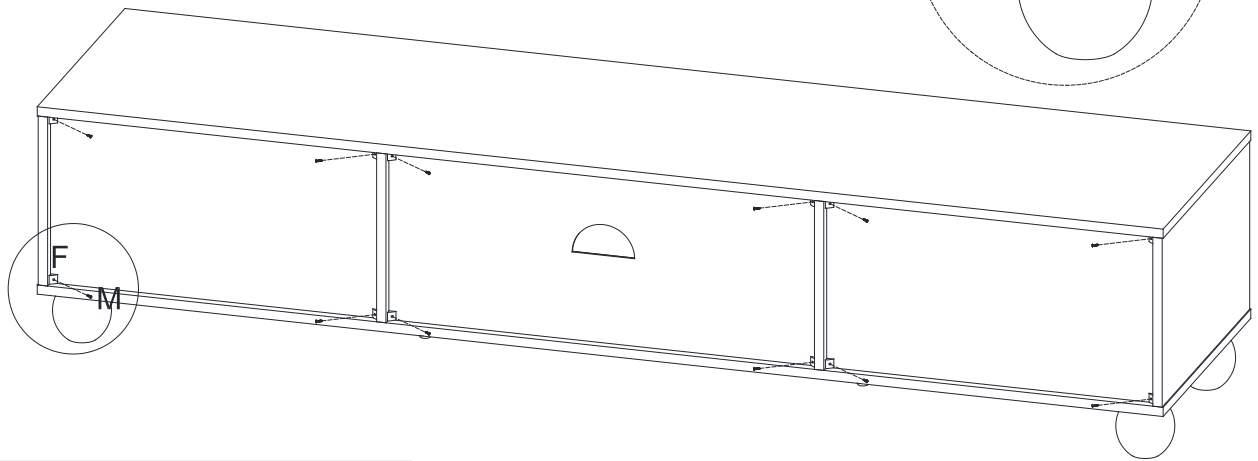
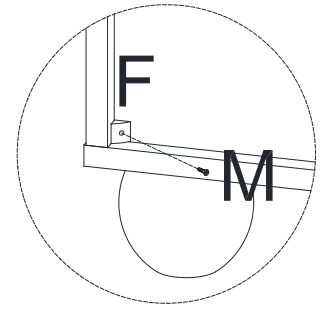


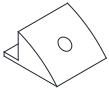

14.



<p>B</p> 	<p>E</p> 
<p>15*10mm Cam Lock 5 pcs</p>	<p>Cover 4 pcs</p>

15.



<p>F</p> 	<p>M</p> 
<p>Plastic Buckle 12pcs</p>	<p>M3*16mm Screw 12pcs</p>

16.

