

DUSK.COM

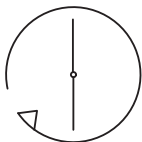
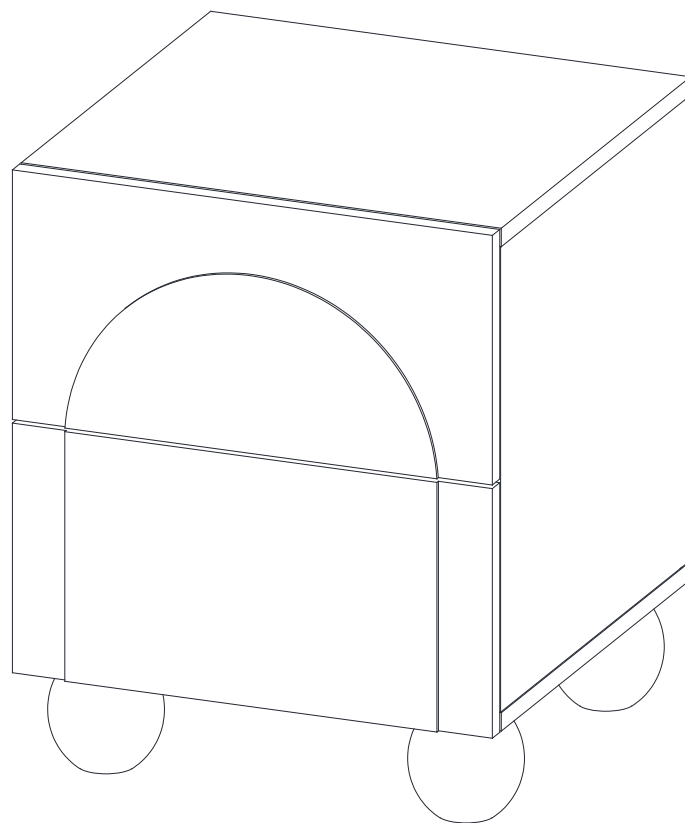
LIVING | BEDROOM | DINING

Range Name : Rachel

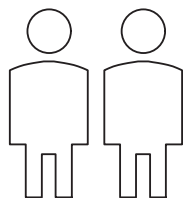
Box1 Dimension : W55xD48xH25cm

Product Dimension : W40xD40xH50cm

Bedside



Up to 60 minutes
assembly time



Two person
assembly



Electric screwdriver
prohibited

This product is intended for domestic use only, not for commercial purposes.

P-1-12
V-2.0

IMPORTANT

ASSEMBLY TIP

Before you begin, it's best to identify all of the parts and fittings to build your Rachel Bedside frame. We advise laying these out on the floor to check you have everything, and to familiarise yourself with all of the parts and fittings before building.

TOP TIP

We recommend that you assemble the Rachel Bedside in the room you'd like it to be located. This will help prevent any risk of damage to the frame whilst moving it.

SAFETY AND CARE

It's important to ensure children and animals are kept away from the assembly area, as there are small components used in this product which could present a choking hazard. All plastic and wrapping materials should also be kept away from children and animals to prevent any risk of suffocation.

HELP AND SUPPORT

Please contact our customer service team on 0113 519 0311 if you have any questions or issues with your purchase.

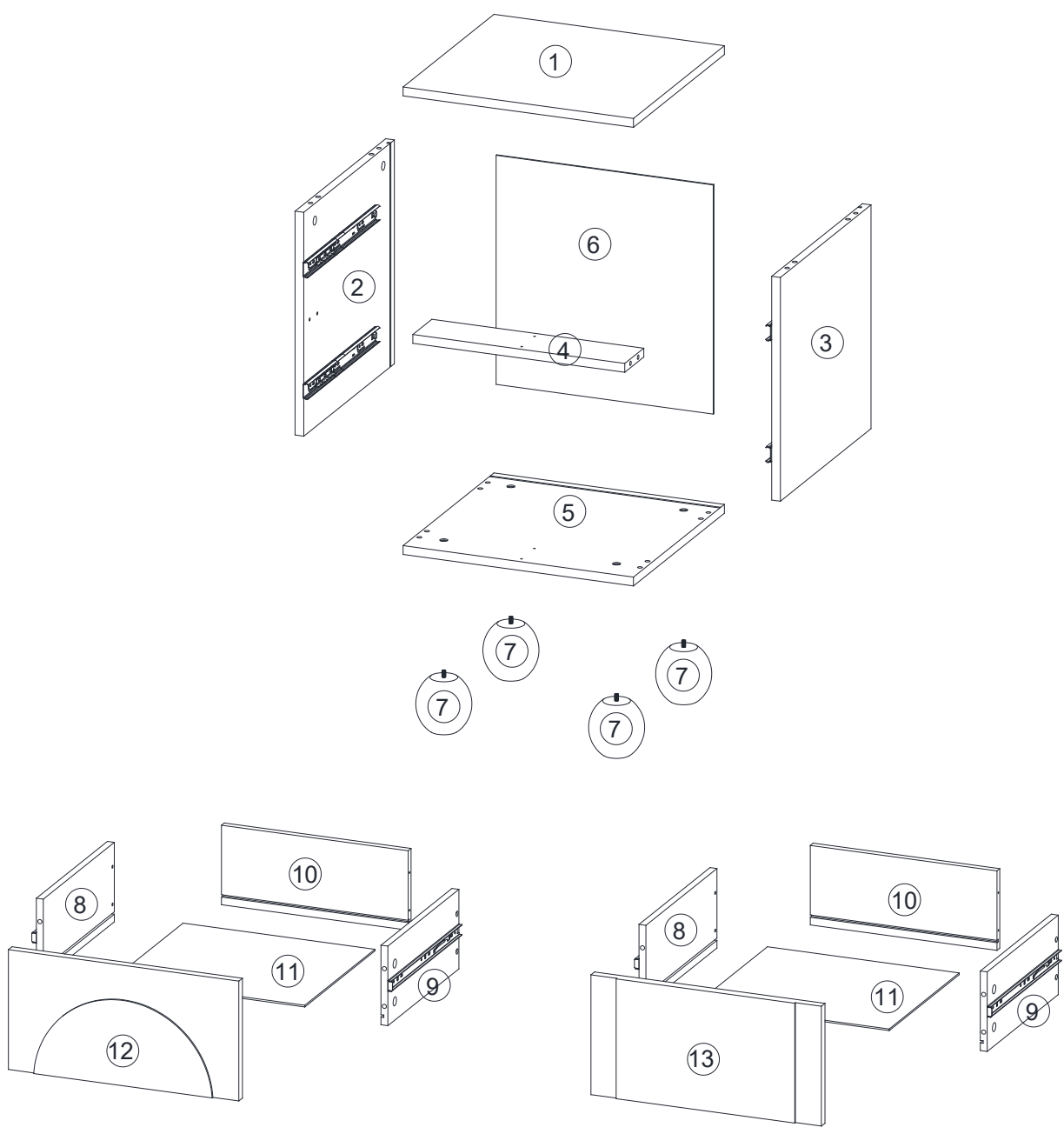
RECYCLING

Please ensure that packaging is disposed of in a safe and environmentally friendly way, and recycle where possible. Please keep your assembly instructions safe to refer back to in the future.

CARE AND MAINTENANCE:

1. Only clean using a damp cloth, do not use bleach or abrasive cleaners as they may damage the finish over time.
2. Do not use a very wet cloth or allow any liquid to contact with the veneer for a long period of time. Wipe any spillage immediately. Absorption can cause wood to warp or finishes to de-laminate.
3. Do not scrub or rub the surface when cleaning.
4. Do not drag the Rachel Bedside when moving, lift it off the floor instead.
5. Use a placemat or a coaster when putting hot items (e.g. hot drinks and dishes) on the wood surface.
6. It is not recommended to place the item next to sources of heat such as radiators, fires or directly exposed to sunlight. This may cause the wood to crack, split or fade due to the heat and humidity.
7. Wood will mellow and change colour over time, we recommend that ornaments and items placed on the surface to be moved regularly to prevent uneven mellowing.
8. Regularly check all fixings to ensure none have come loose. Re-tighten if necessary.
9. Avoid sharp items such as a screwdriver or any pointy tools.
10. Dispose of all packaging carefully and responsibly - recycle where possible.

Parts list



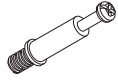








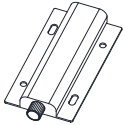

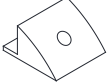
Parts list

Before you begin building your Rachel Bedside, please take a moment to read through the instructions and make sure that you have all the relevant parts listed on the parts check list.

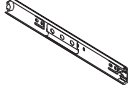
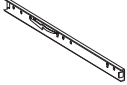

Part Number	Part Description	Quantity	Box No
①	Top Panel	1pc	Box 1
②	Left Side Panel With Slide	1pc	Box 1
③	Right Side Panel With Slide	1pc	Box 1
④	Drawer Floor	1pc	Box 1
⑤	Drawer Bottom	1pc	Box 1
⑥	Drawer Back Panel	1pc	Box 1
⑦	Leg	4pcs	Box 1
⑧	Drawer Left Side With Slide	2pcs	Box 1
⑨	Drawer Right Side With Slide	2pcs	Box 1
⑩	Drawer Back Panel	2pcs	Box 1
⑪	Drawer Bottom	2pcs	Box 1
⑫	Drawer Front	1pc	Box 1
⑬	Drawer Front	1pc	Box 1

Fittings

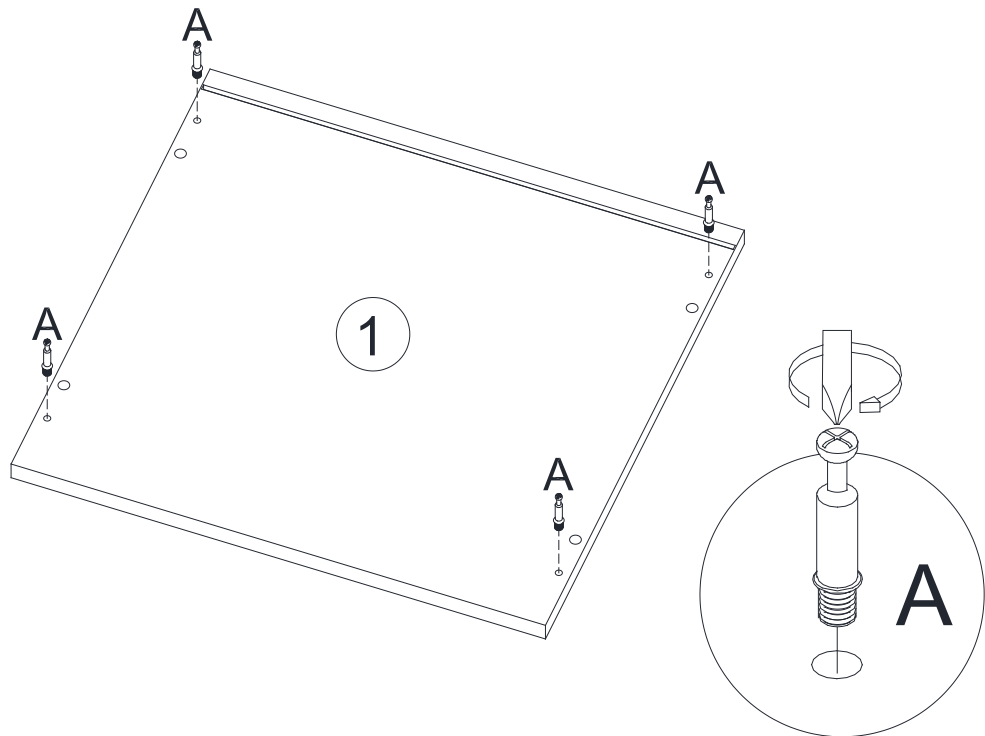
Please check you have all the fittings listed below with your product in box 1.

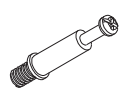
<p>A</p>  <p>M6*35mm Bolt 16pcs+2pcs extra</p>	<p>B</p>  <p>15*10mm Cam Lock 16pcs+2pcs extra</p>	<p>C</p>  <p>8*30mm Dowel 8pcs+1pc extra</p>	<p>D</p>  <p>M4*35mm Screw 8pcs+1pc extra</p>	<p>E</p>  <p>M3*12mm Screw 8pcs+1pc extra</p>
<p>F</p>  <p>M7*40mm Screw 4pcs</p>	<p>G</p>  <p>Allen Key 1pc</p>	<p>H</p>  <p>Pad 4pcs</p>	<p>I</p>  <p>Cover 8pcs+1pc extra</p>	<p>J</p>  <p>Pusher 2pcs</p>
<p>K</p>  <p>M3*16mm Screw 4pcs</p>	<p>L</p>  <p>Plastic Buckle 4pcs</p>			

Pre-assembled Fittings

<p>M-1</p>  <p>Slide 4pcs</p>	<p>M-2</p>  <p>Slide 4pcs</p>	<p>N</p>  <p>M3*12mm Screw 24pcs</p>
---	---	--

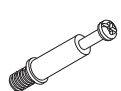
1. Attach parts to the boards.



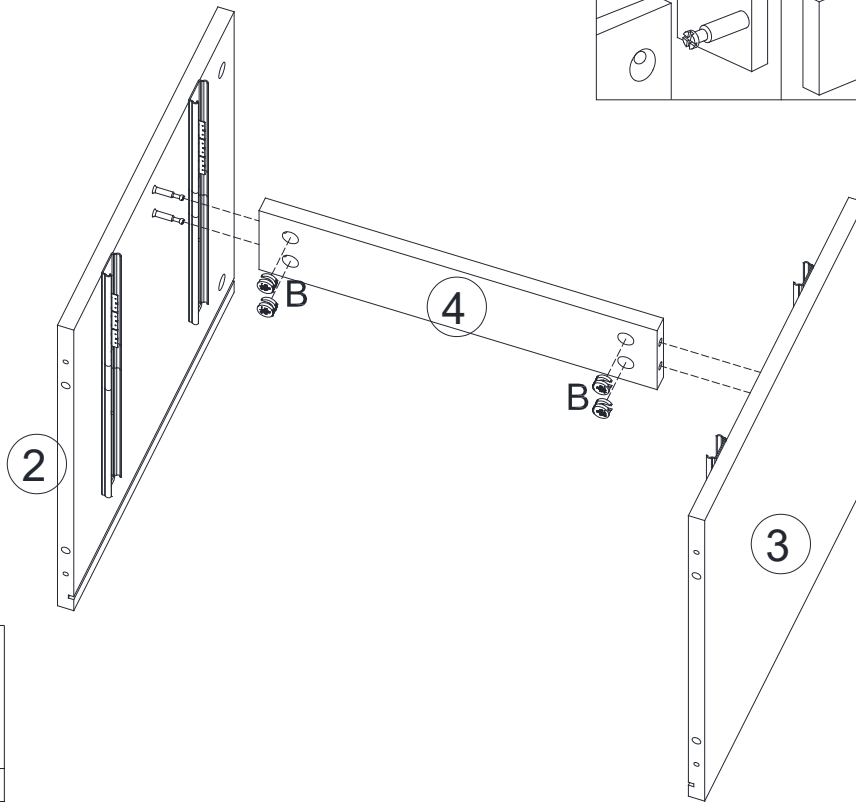
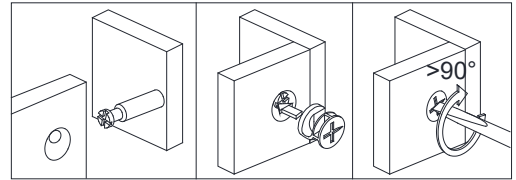
A	
M6*35mm Bolt	
4pcs	


2. Attach parts to the boards.



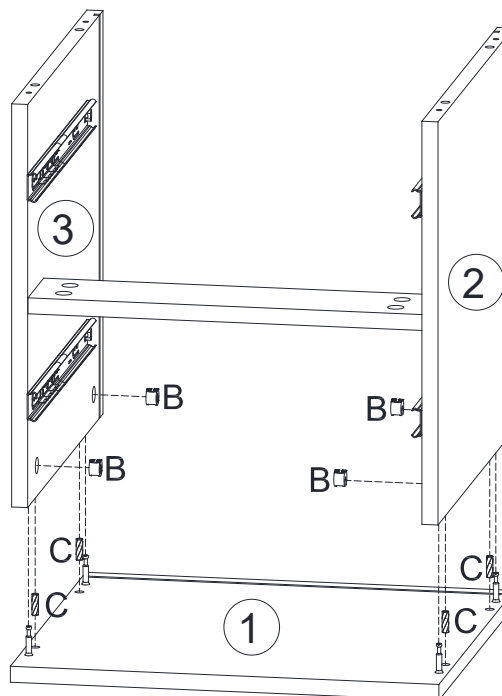
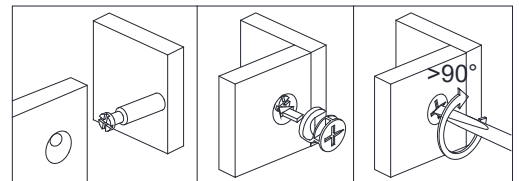
A	
M6*35mm Bolt	
4pcs	



3. Attach parts to the boards.



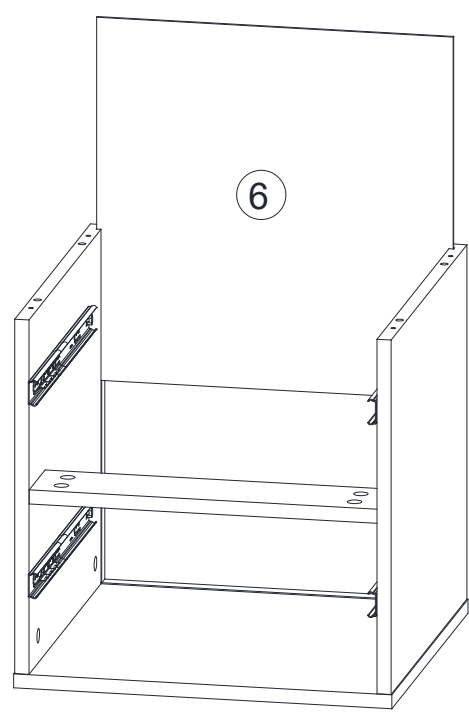
B	
15*10mm Cam Lock	
4pcs	

4.

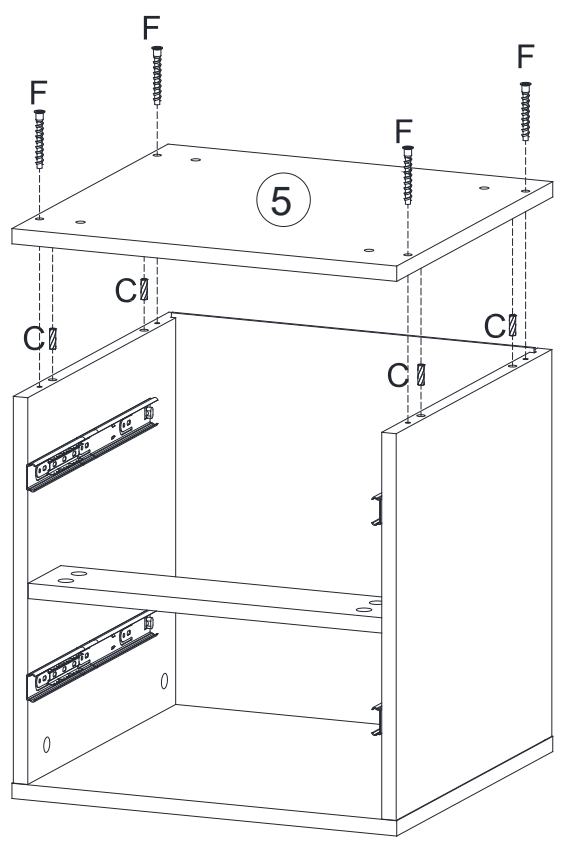
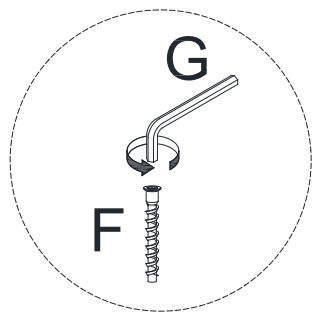



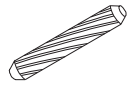
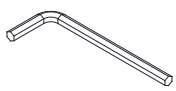
B		C	
15*10mm Cam Lock		8*30mm Dowel	
4pcs		4pcs	

5. Assemble boards to the frame.

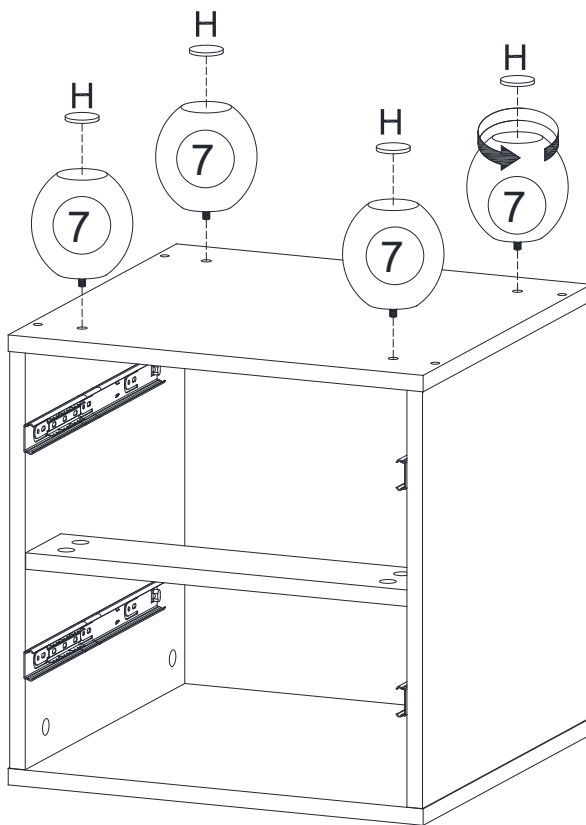



6.



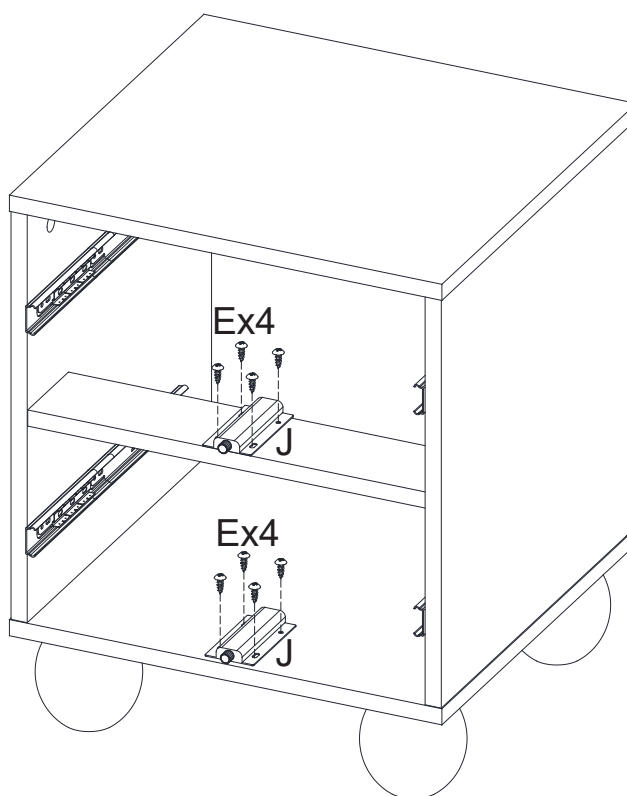
<p>F</p> 	<p>C</p> 	<p>G</p> 
<p>M7*40mm Screw 4pcs</p>	<p>8*30mm Dowel 4pcs</p>	<p>Allen Key 1pc</p>


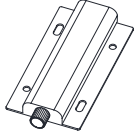
7.



H

Pad
4pcs

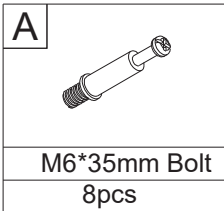
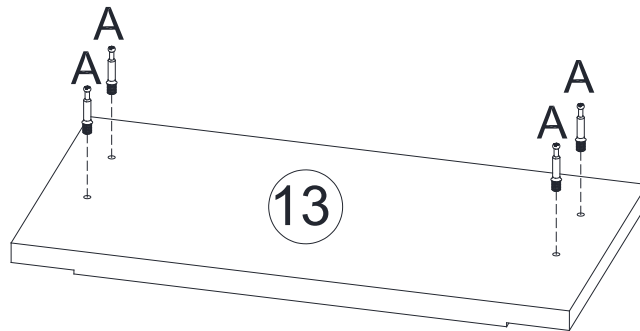
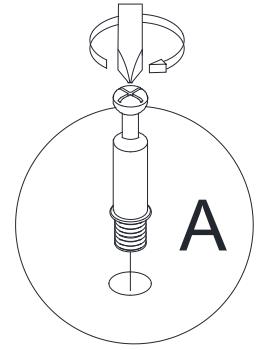
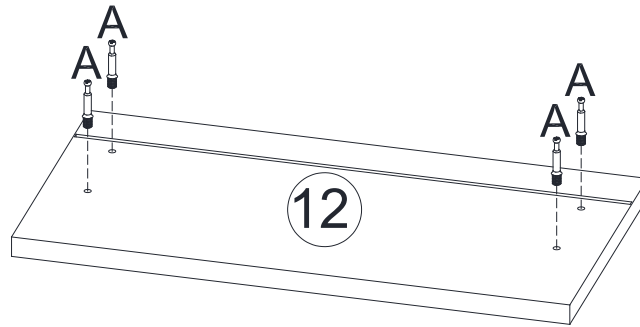
8.



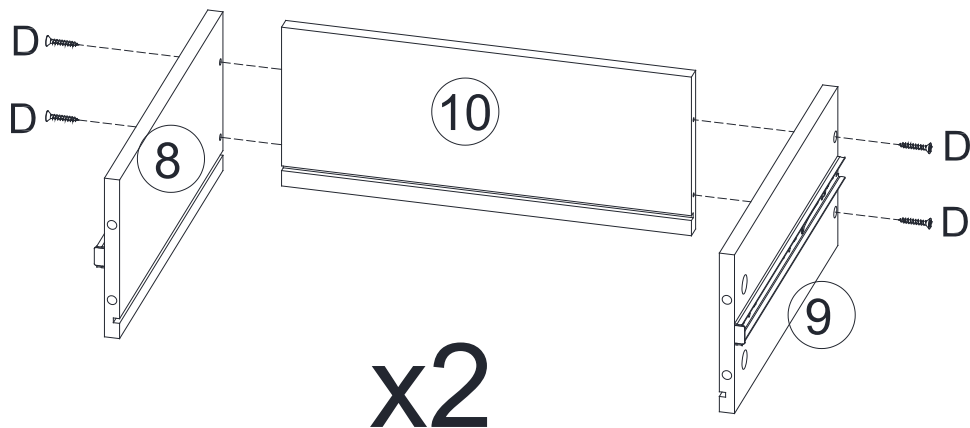
E	J
	
M3*12mm Screw	Pusher
8pcs	2pcs

P-9-12
V-2.0

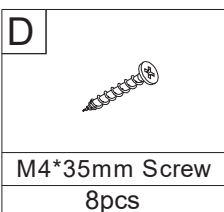
9.



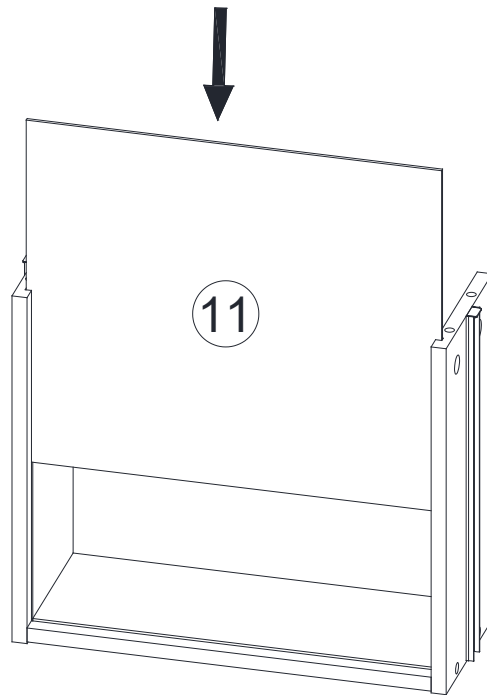
10.



x2

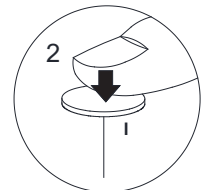
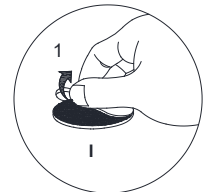
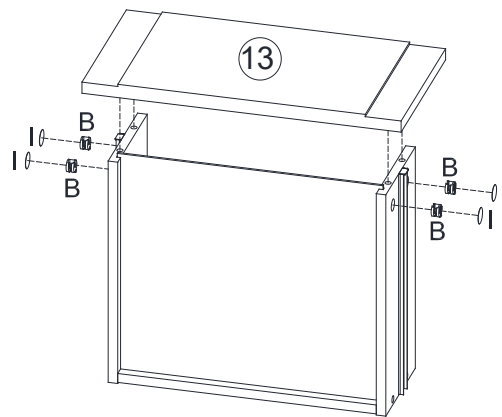
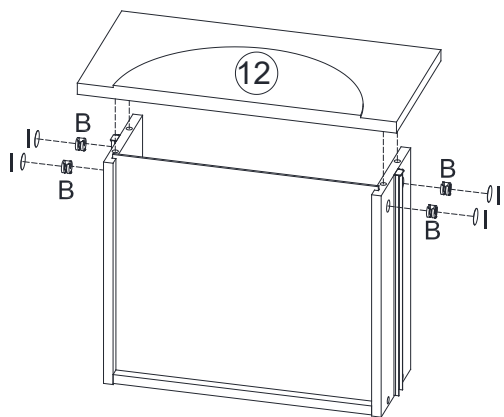
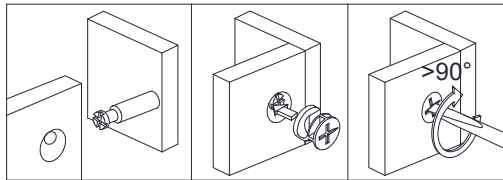




11.



x2

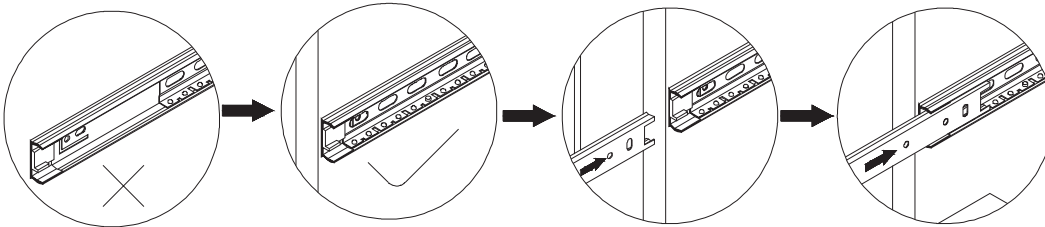
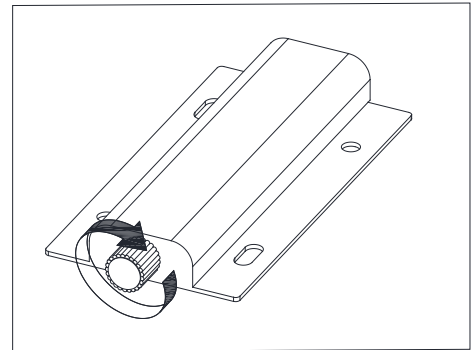
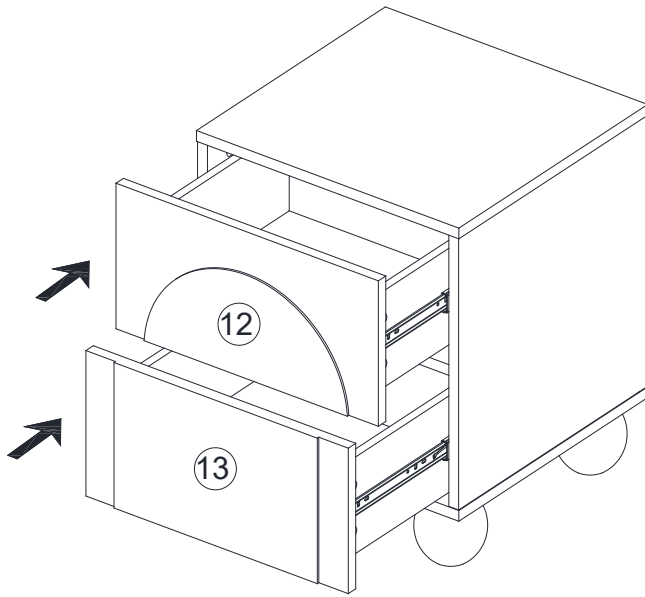
12.



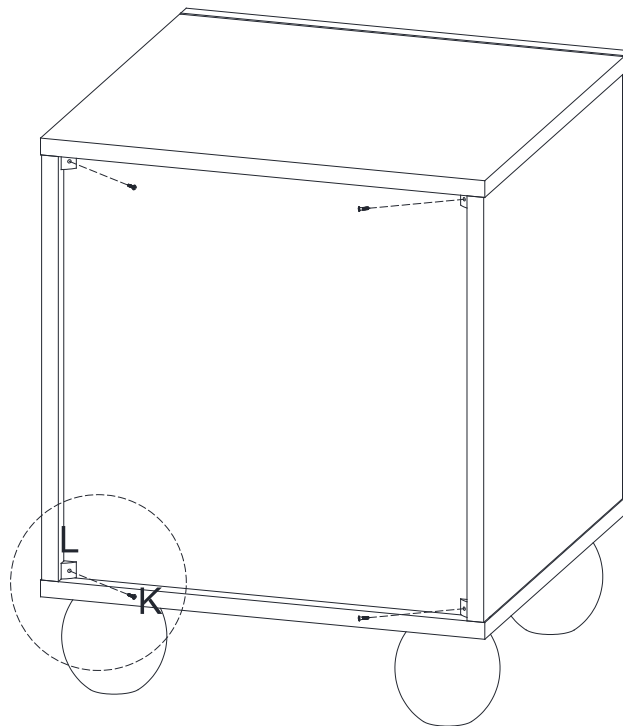
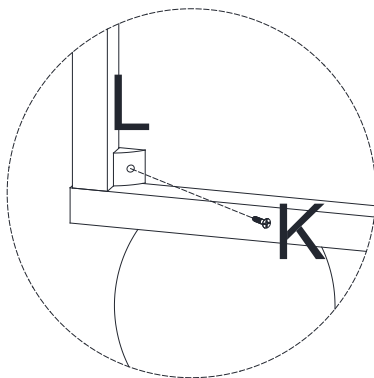
B		I	
	15*10mm Cam Lock		Cover
	8pcs		8pcs

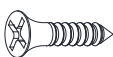

P-11-12
V-2.0

13.



14.



<p>K</p> 	<p>L</p> 
<p>M3*16mm Screw 4pcs</p>	<p>Plastic Buckle 4pcs</p>

P-12-12
V-2.0