

DUSK.COM

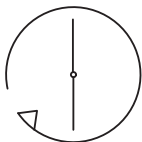
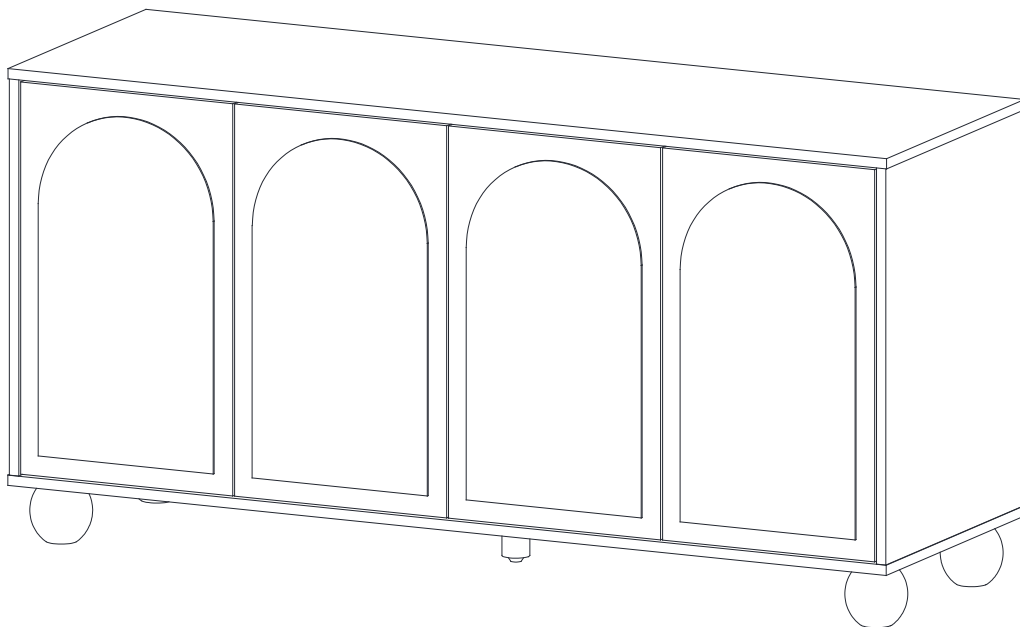
LIVING | BEDROOM | DINING

Range Name : Rachel

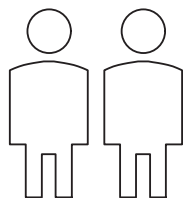
Box1 Dimension : W157xD58.5xH20cm

Product Dimension : W140xD45xH70cm

4 Door Sideboard



Up to 90 minutes
assembly time



Two person
assembly



Electric screwdriver
prohibited

This product is intended for domestic use only, not for commercial purposes.

P-1-13
V-2.0

IMPORTANT

ASSEMBLY TIP

Before you begin, it's best to identify all of the parts and fittings to build your Rachel 4 Door Sideboard frame. We advise laying these out on the floor to check you have everything, and to familiarise yourself with all of the parts and fittings before building.

TOP TIP

We recommend that you assemble the Rachel 4 Door Sideboard in the room you'd like it to be located.

This will help prevent any risk of damage to the frame whilst moving it.

SAFETY AND CARE

It's important to ensure children and animals are kept away from the assembly area, as there are small components used in this product which could present a choking hazard. All plastic and wrapping materials should also be kept away from children and animals to prevent any risk of suffocation.

HELP AND SUPPORT

Please contact our customer service team on 0113 519 0311 if you have any questions or issues with your purchase.

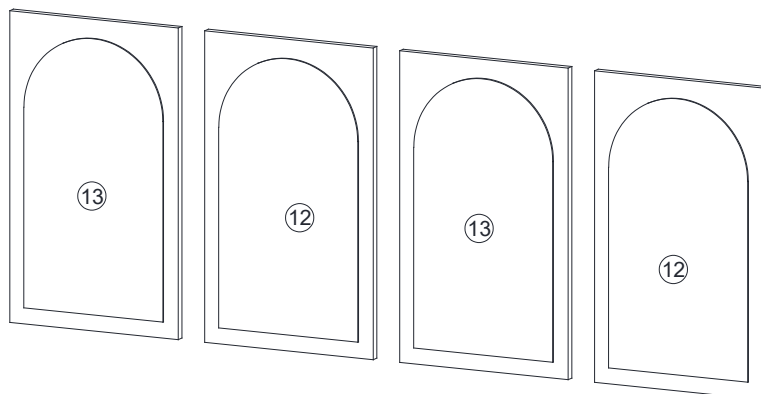
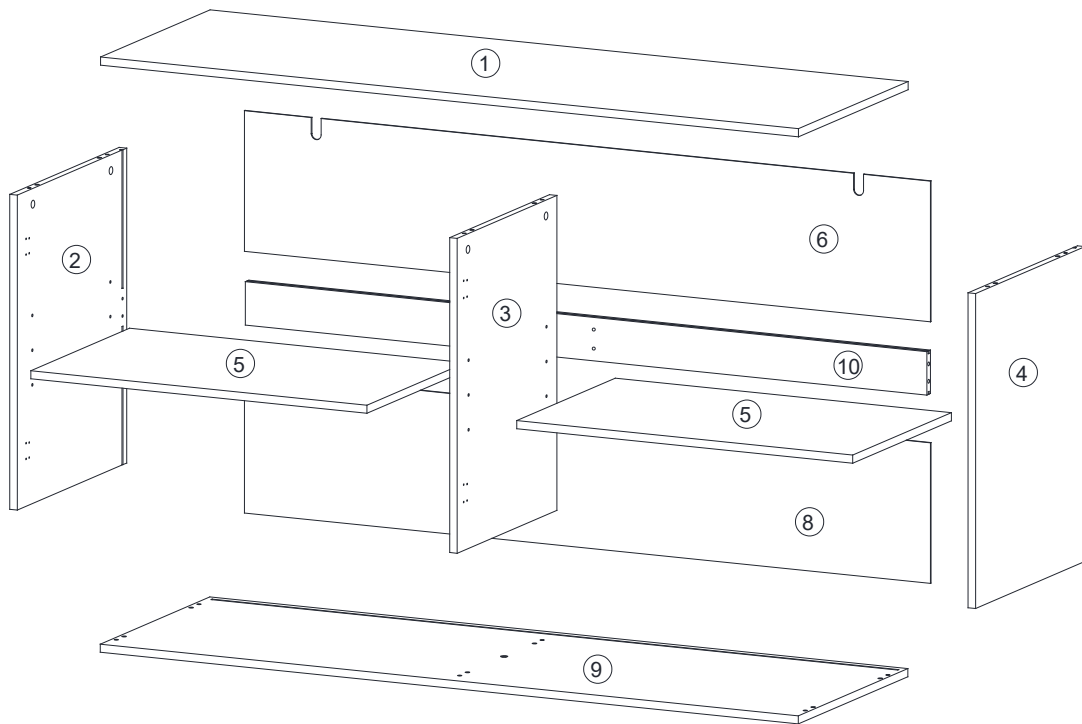
RECYCLING

Please ensure that packaging is disposed of in a safe and environmentally friendly way, and recycle where possible. Please keep your assembly instructions safe to refer back to in the future.

CARE AND MAINTENANCE:

1. Only clean using a damp cloth, do not use bleach or abrasive cleaners as they may damage the finish over time.
2. Do not use a very wet cloth or allow any liquid to contact with the veneer for a long period of time. Wipe any spillage immediately. Absorption can cause wood to warp or finishes to de-laminate.
3. Do not scrub or rub the surface when cleaning.
4. Do not drag the Rachel 4 Door Sideboard when moving, lift it off the floor instead.
5. Use a placemat or a coaster when putting hot items (e.g. hot drinks and dishes) on the wood surface.
6. It is not recommended to place the item next to sources of heat such as radiators, fires or directly exposed to sunlight. This may cause the wood to crack, split or fade due to the heat and humidity.
7. Wood will mellow and change colour over time, we recommend that ornaments and items placed on the surface to be moved regularly to prevent uneven mellowing.
8. Regularly check all fixings to ensure none have come loose. Re-tighten if necessary.
9. Avoid sharp items such as a screwdriver or any pointy tools.
10. Dispose of all packaging carefully and responsibly - recycle where possible.

Parts list



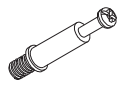
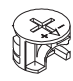


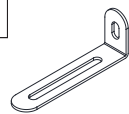
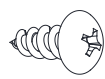


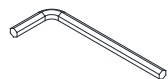
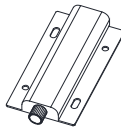
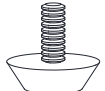


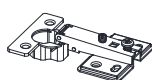
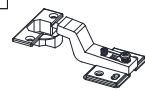


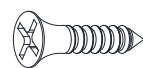
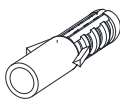

Parts list

Before you begin building your Rachel 4 Door Sideboard, please take a moment to read through the instructions and make sure that you have all the relevant parts listed on the parts check list.

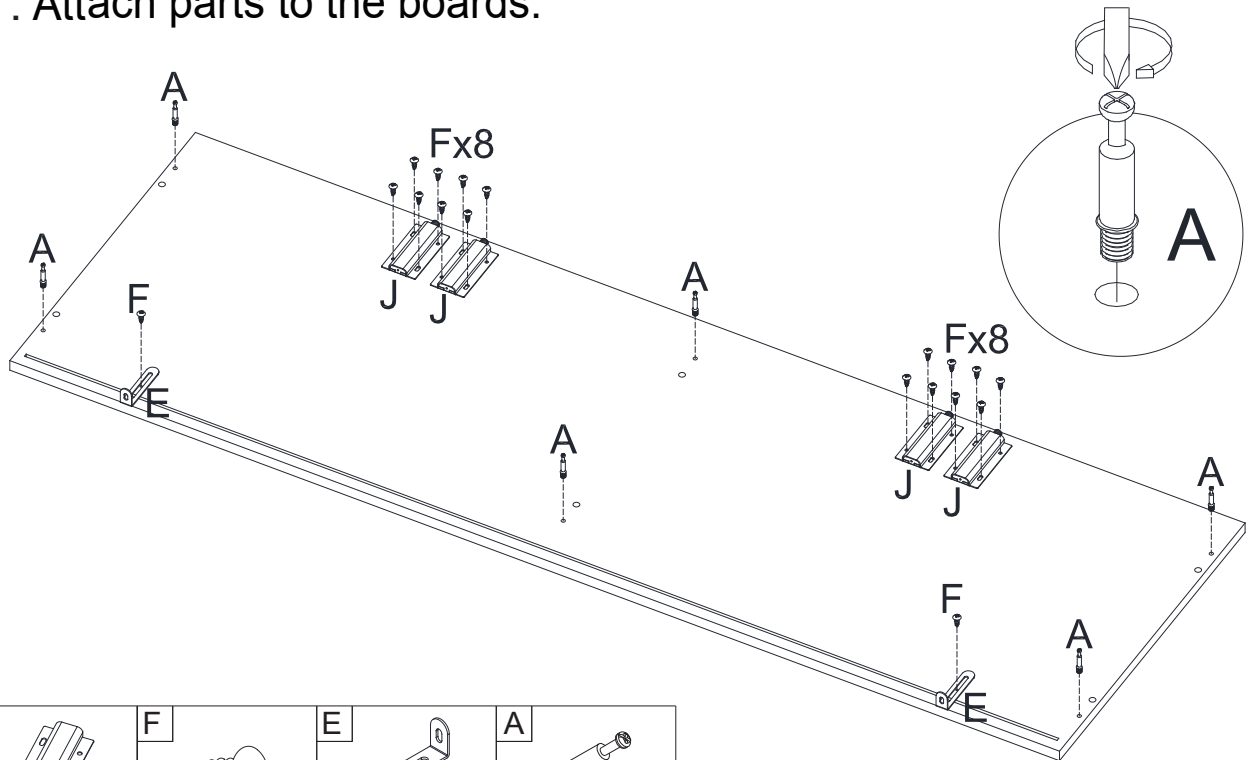
Part Number	Part Description	Quantity	Box No
①	Top Panel	1pc	Box 1
②	Left Side Panel	1pc	Box 1
③	Middle Side Panel	1pc	Box 1
④	Right Side Panel	1pc	Box 1
⑤	Shelf	2pcs	Box 1
⑥	Back Panel	1pc	Box 1
⑦	Leg	4pcs	Box 1
⑧	Back Panel	1pc	Box 1
⑨	Bottom Panel	1pc	Box 1
⑩	Back Support	1pc	Box 1
⑪	Middle Leg	1pc	Box 1
⑫	Door	2pcs	Box 1
⑬	Door	2pcs	Box 1


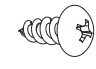
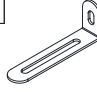
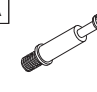
Fittings

Please check you have all the fittings listed below with your product in box 1.

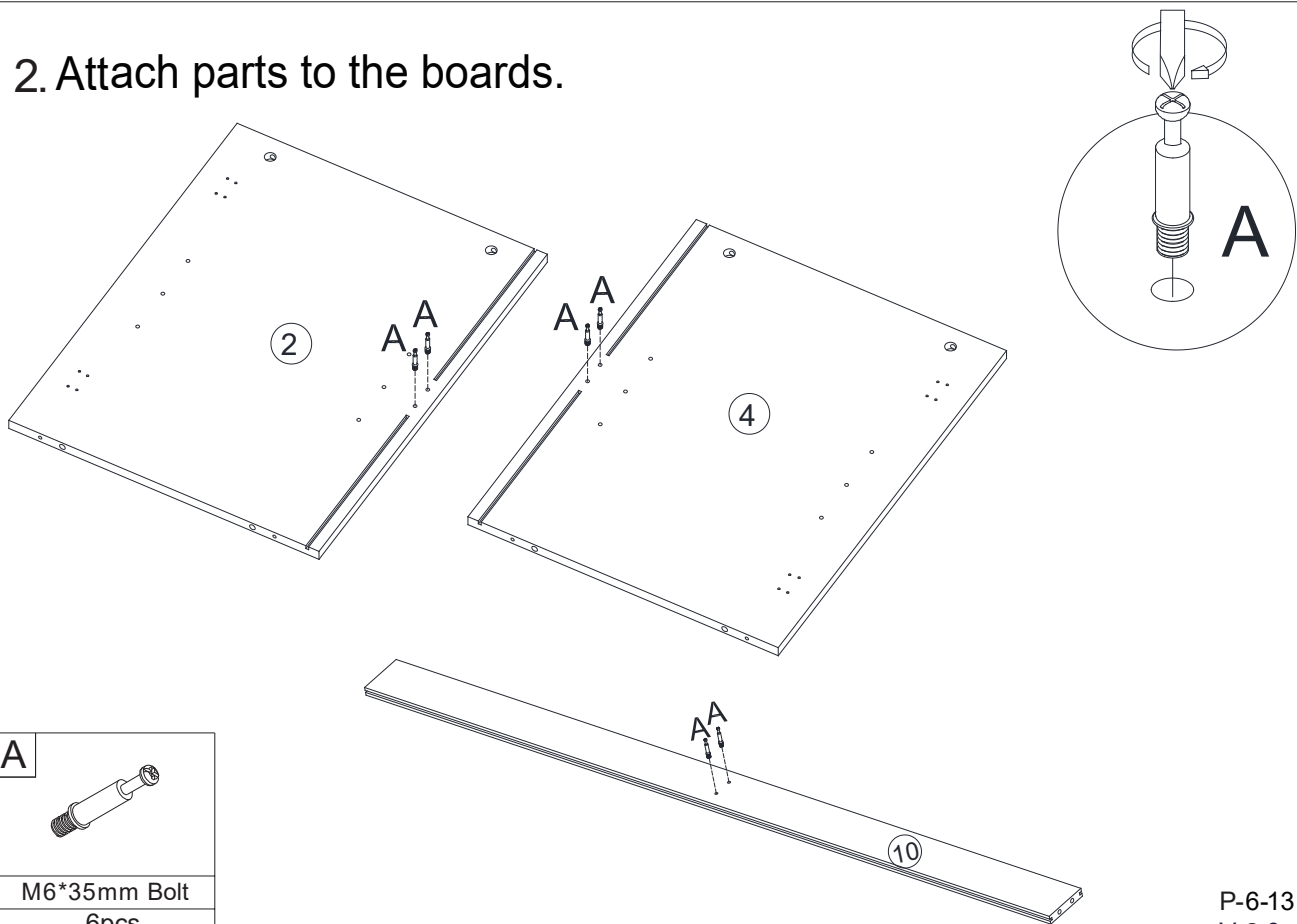
<p>A</p>  <p>M6*35mm Bolt 12pcs+1pc extra</p>	<p>B</p>  <p>15*10mm Cam Lock 12pcs+1pc extra</p>	<p>C</p>  <p>8*30mm Dowel 12pcs+1pc extra</p>	<p>D</p>  <p>M4*35mm Screw 2pcs</p>	<p>E</p>  <p>Wall Bracket 2pcs</p>
<p>F</p>  <p>M4*12mm Screw 18pcs+2pcs extra</p>	<p>G</p>  <p>M7*40mm Screw 6pcs</p>	<p>H</p>  <p>M4*10mm Screw 4pcs</p>	<p>I</p>  <p>Allen Key 1pc</p>	<p>J</p>  <p>Pusher 4pcs</p>
<p>K</p>  <p>Wall Bracket 1pc</p>	<p>L</p>  <p>Pad 4pcs</p>	<p>M</p>  <p>Shelf Pin 8pcs</p>	<p>N</p>  <p>Hinge 4pcs</p>	<p>O</p>  <p>Hinge 4pcs</p>
<p>P</p>  <p>M3.5*12mm Screw 48pcs+5pcs extra</p>	<p>Q</p>  <p>Plastic Buckle 8pcs+1pc extra</p>	<p>R</p>  <p>M3*16mm Screw 8pcs+1pc extra</p>	<p>S</p>  <p>Wall Plug 2pcs</p>	<p>T</p>  <p>Cover 8pcs+1pc extra</p>

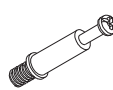
1. Attach parts to the boards.



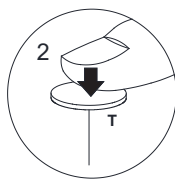
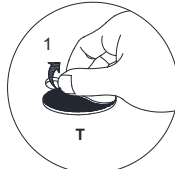
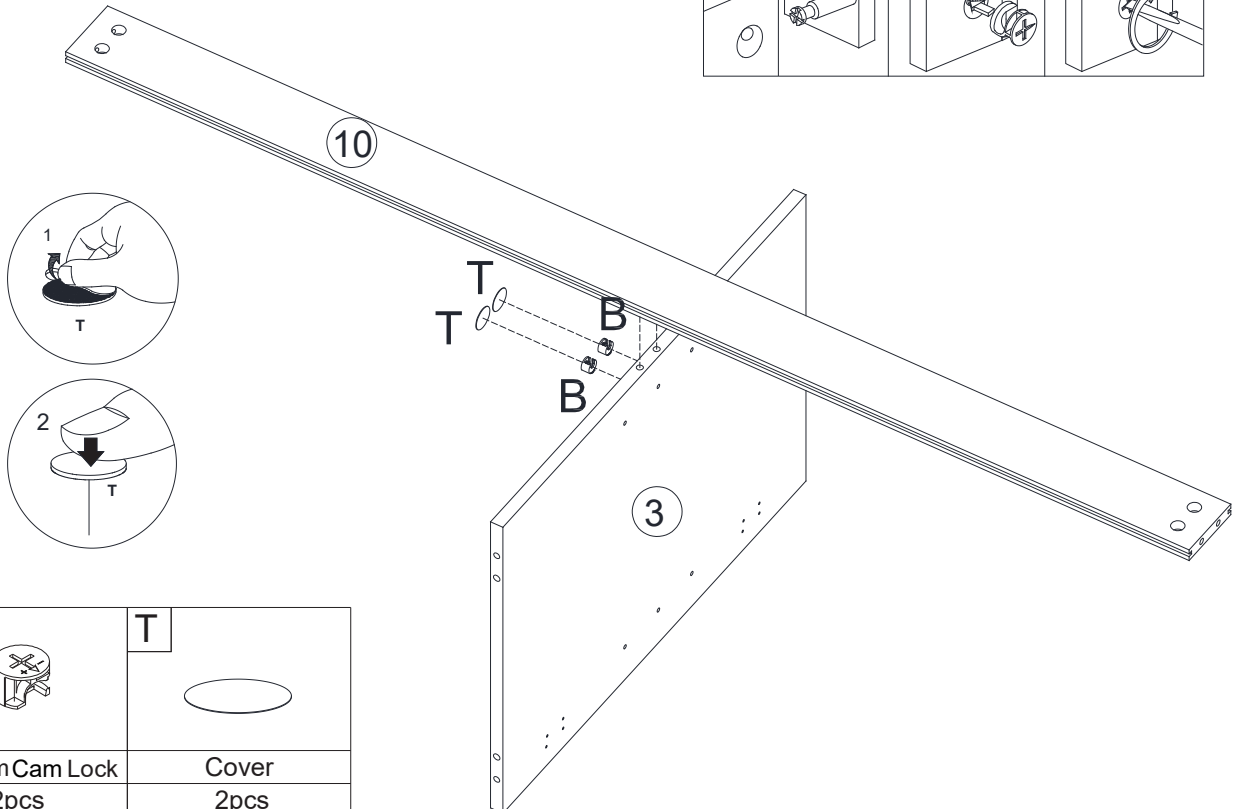
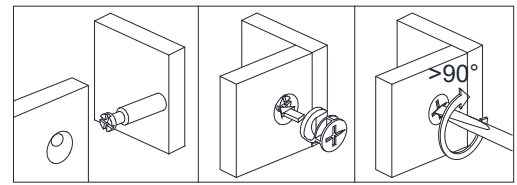
J	F	E	A
			
Pusher 4pcs	M4*12mm Screw 18pcs	Wall Bracket 2pcs	M6*35mm Bolt 6pcs

2. Attach parts to the boards.



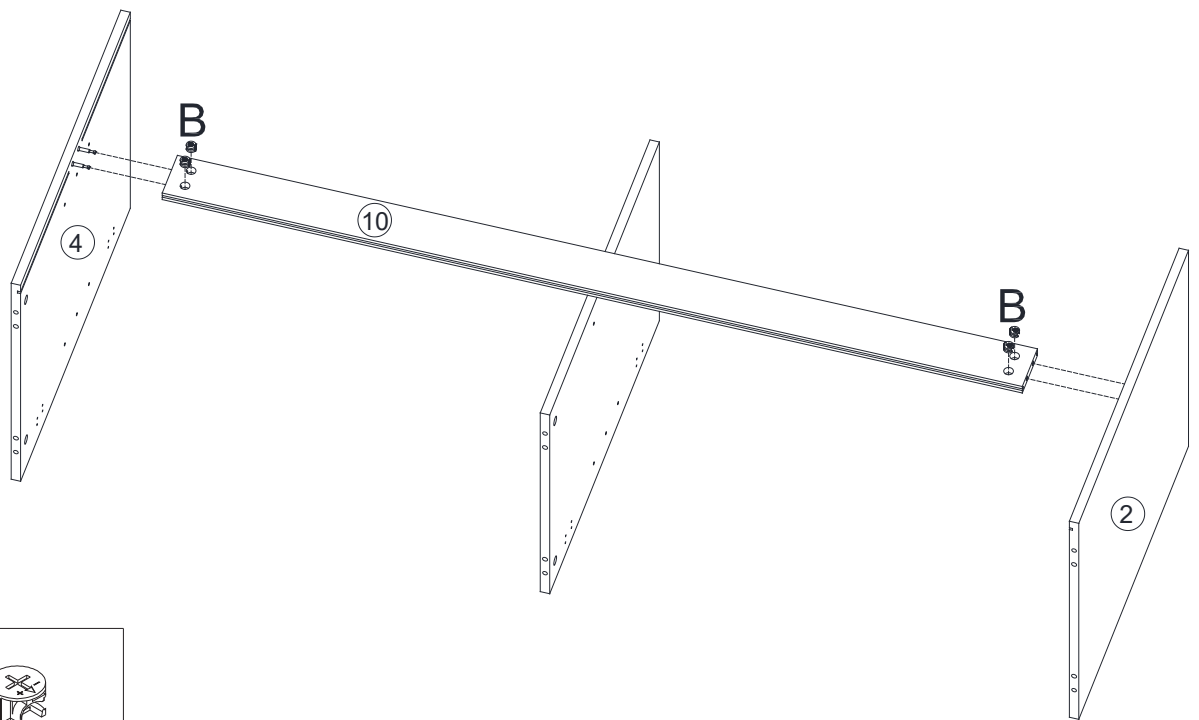
A

M6*35mm Bolt 6pcs

3. Attach parts to the boards.



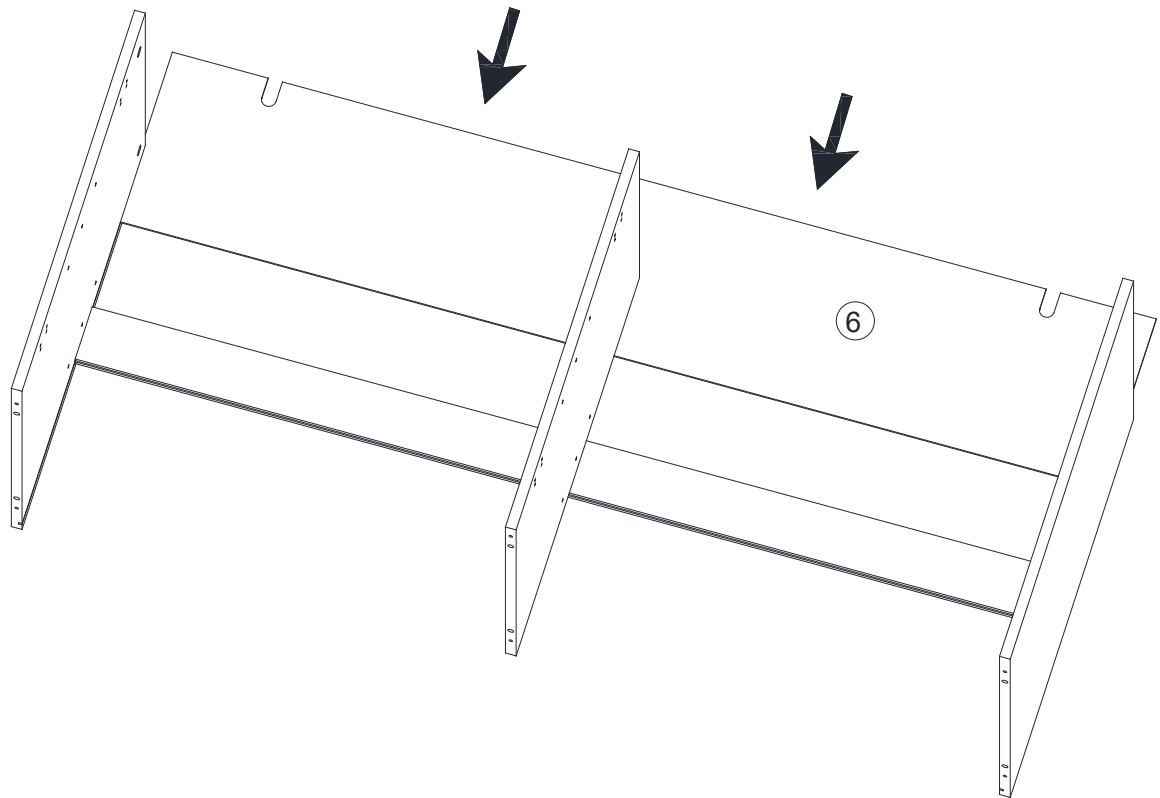
B		T	
15*10mm Cam Lock 2pcs		Cover 2pcs	

4.

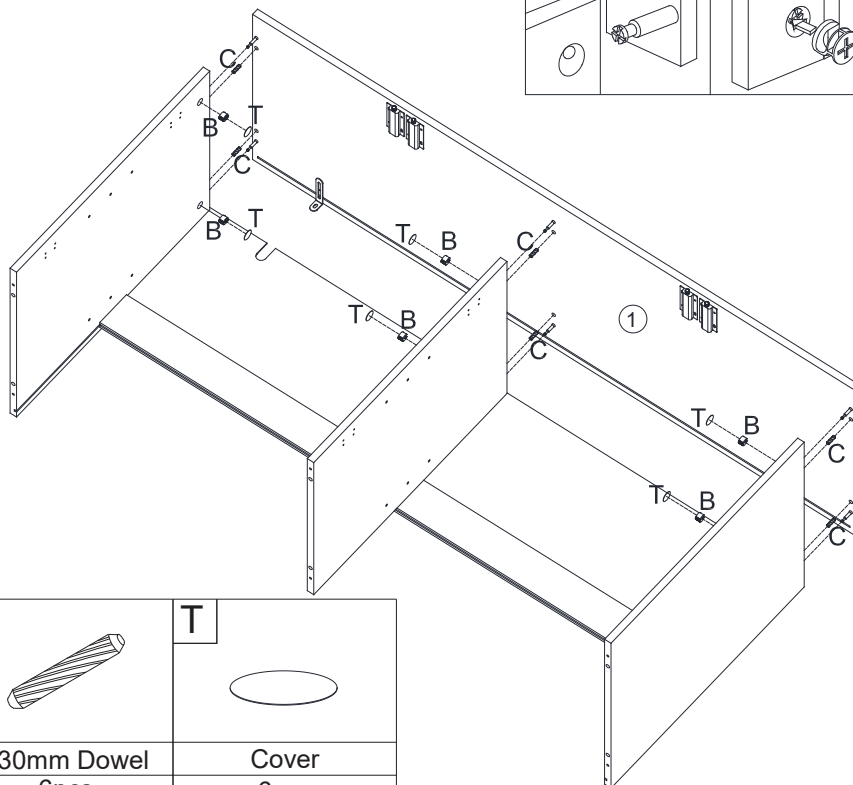
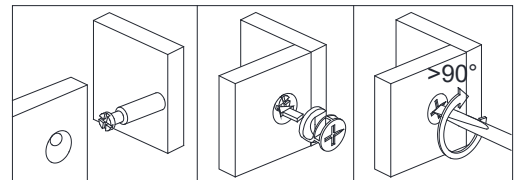
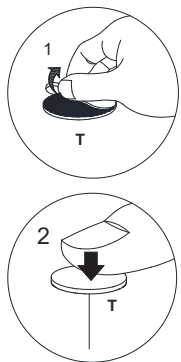





B	
15*10mm Cam Lock 4pcs	

5. Assemble boards to the frame.

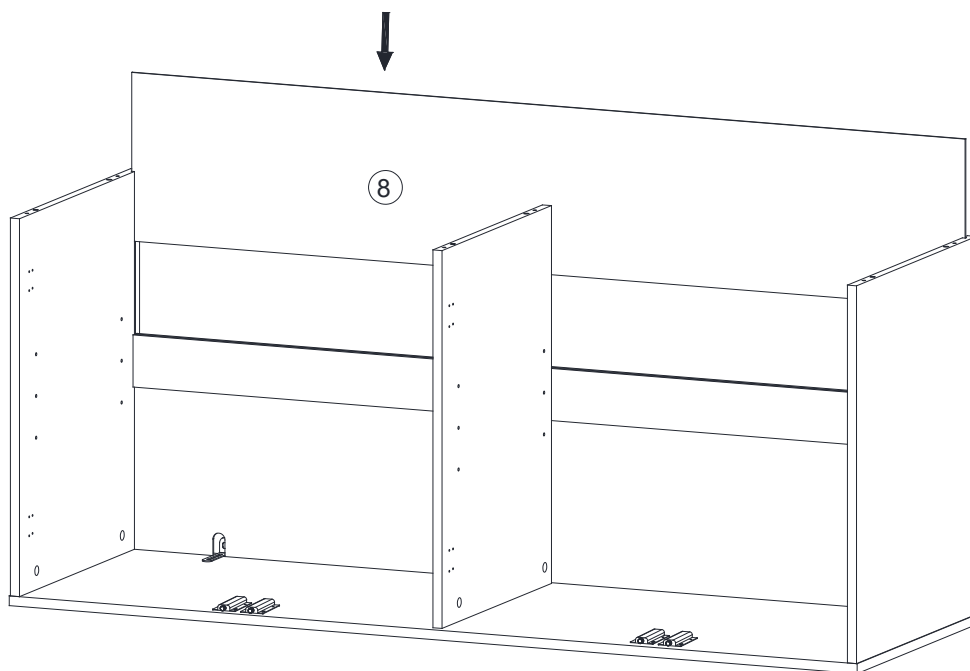


6. Assemble boards to the frame.

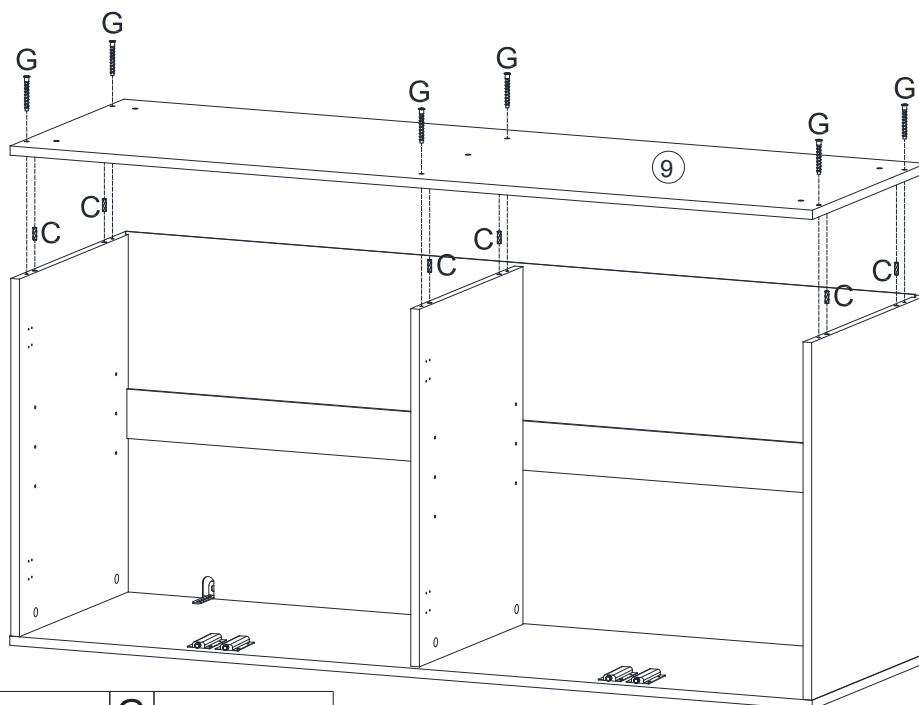
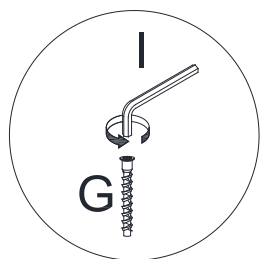


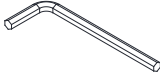


B	C	T
		
15*10mm Cam Lock 6pcs	8*30mm Dowel 6pcs	Cover 6pcs

7.



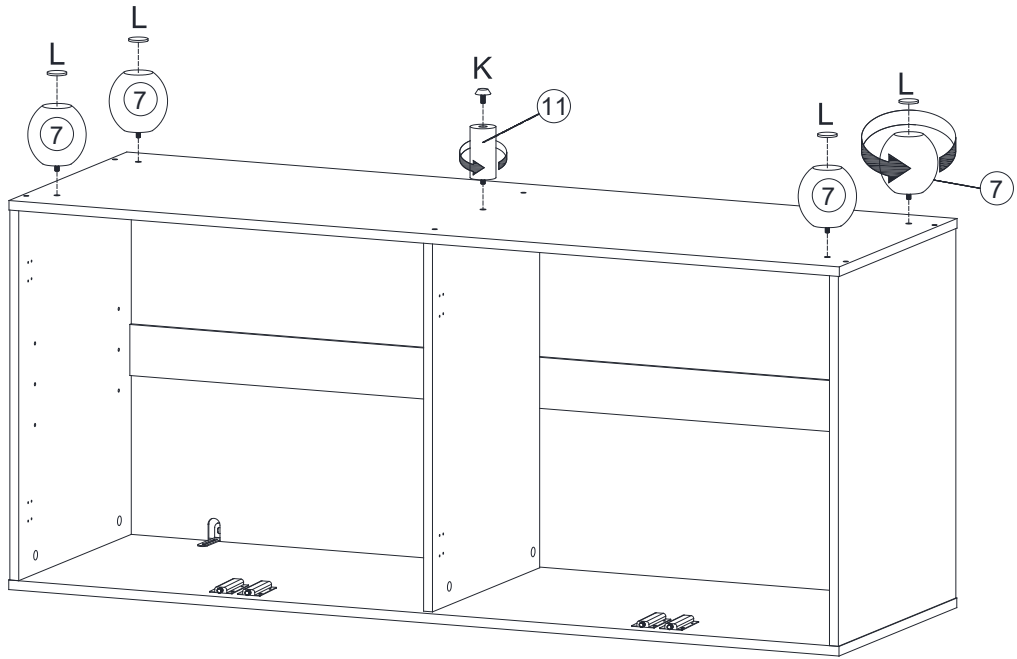
8.

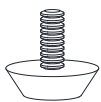



<p>I</p> 	<p>C</p> 	<p>G</p> 
<p>Allen Key 1pc</p>	<p>8*30mm Dowel 6pcs</p>	<p>M7*40mm Screw 6pcs</p>

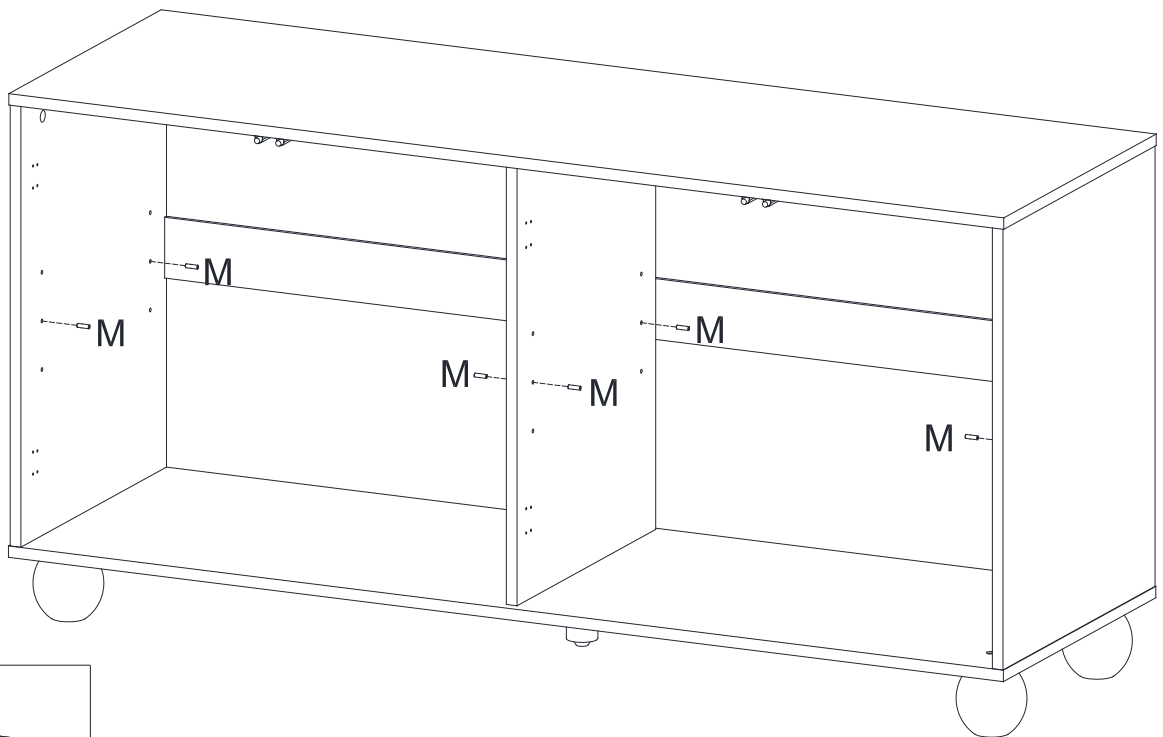
P-9-13
V-2.0


9.



K	L
	
Wall Bracket 1pc	Pad 4pcs

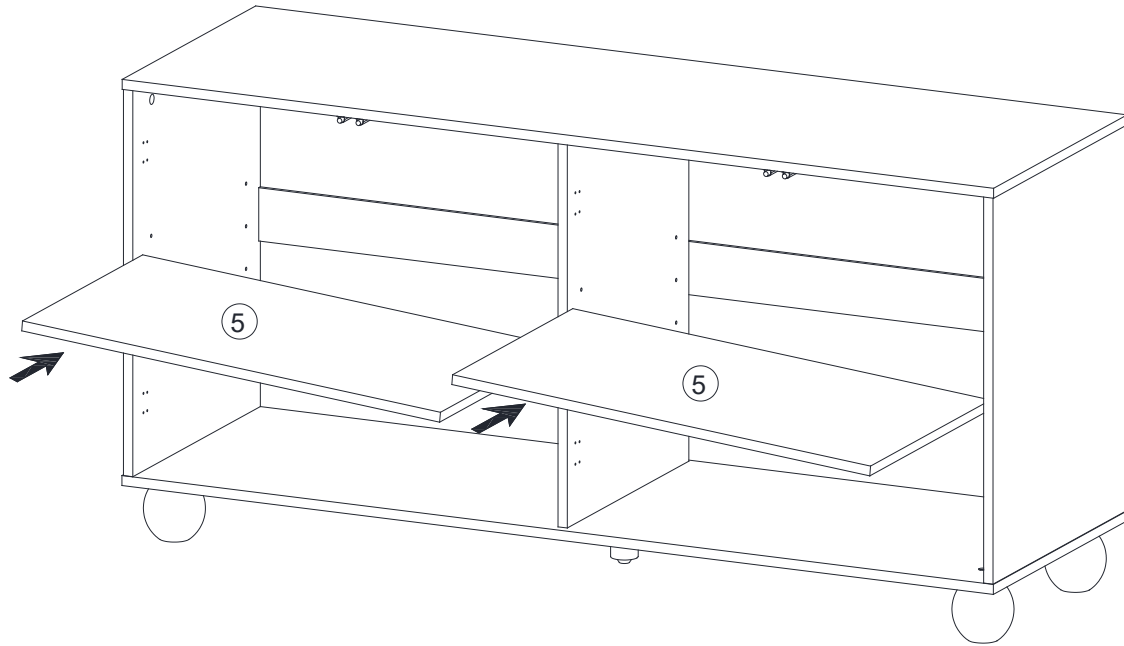
10.



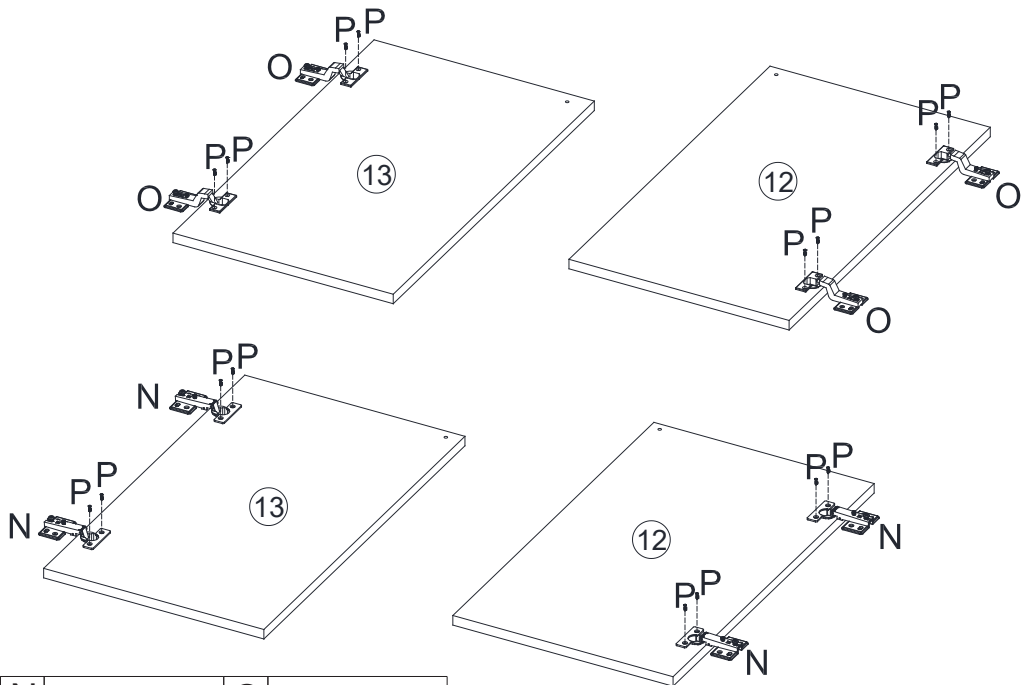
M

Shelf Pin 8pcs


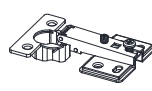
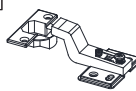
P-10-13
V-2.0

11.



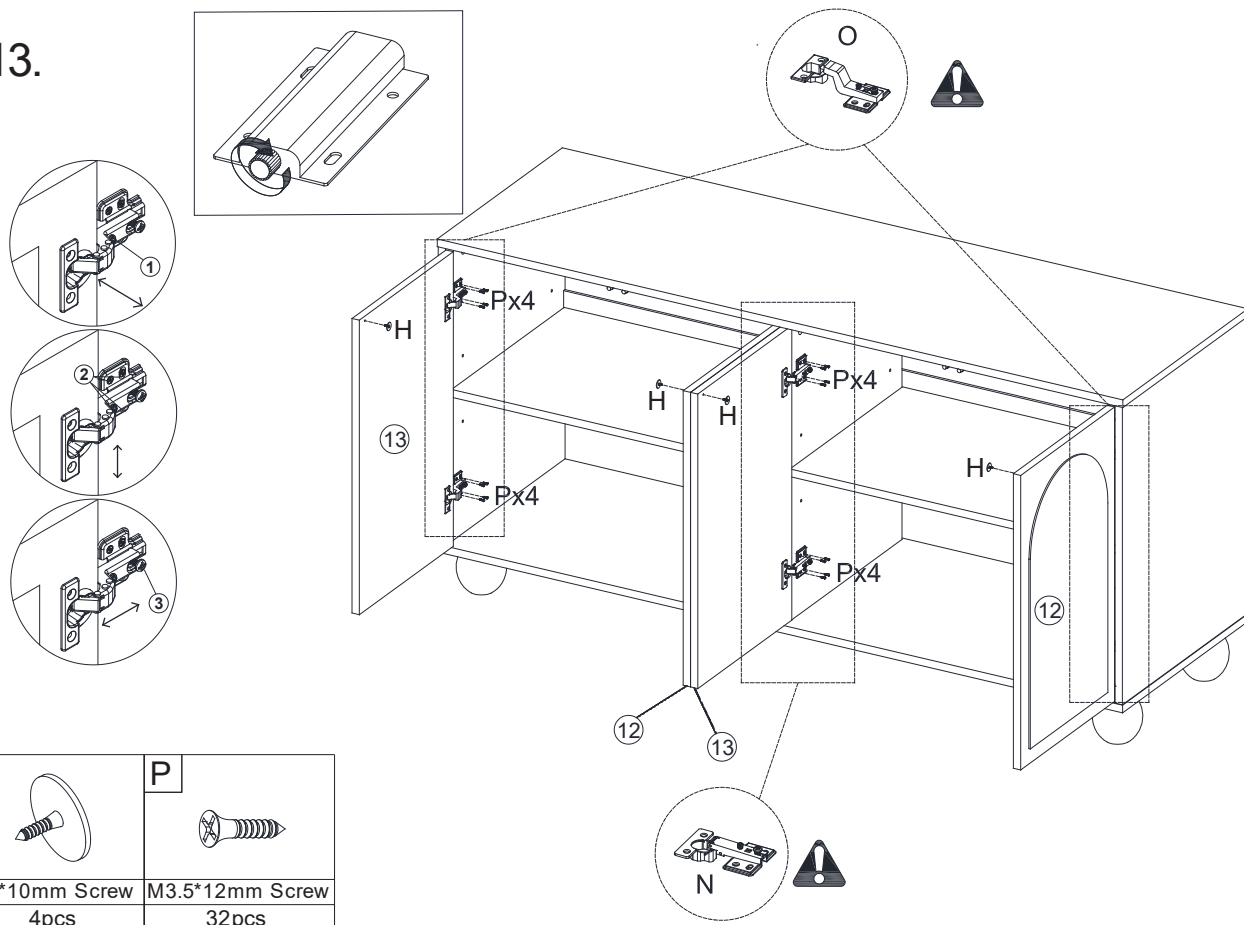
12.





P	N	O
		
M3.5*12mm Screw 16pcs	Hinge 4pcs	Hinge 4pcs

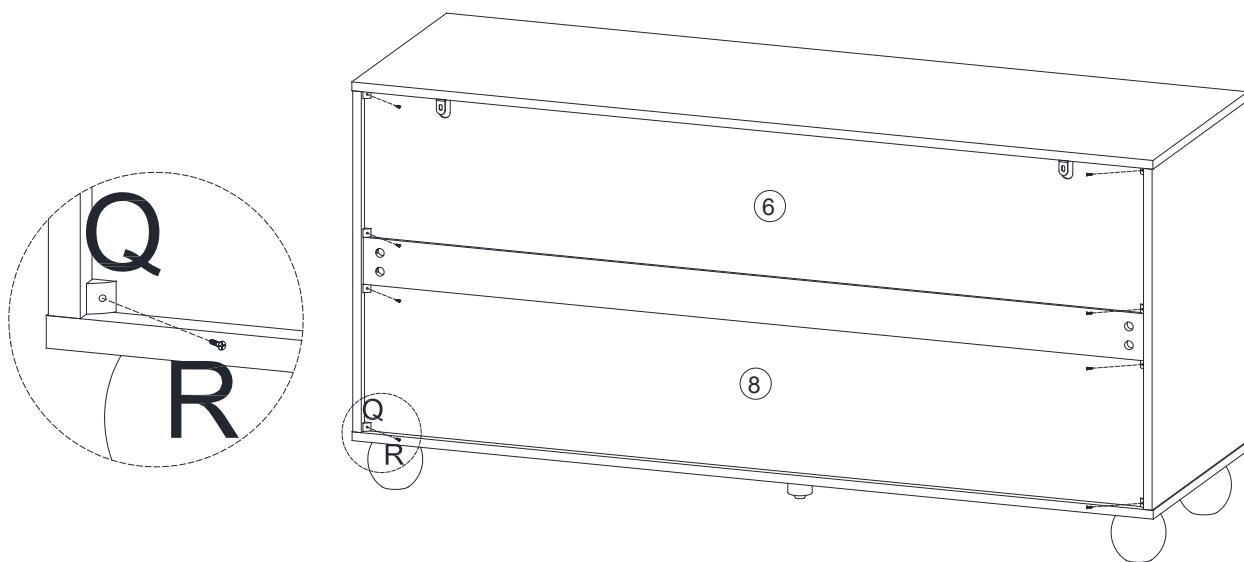
P-11-13
V-2.0

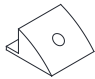
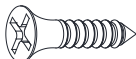
13.



H		P	
M4*10mm Screw 4pcs		M3.5*12mm Screw 32pcs	

14.

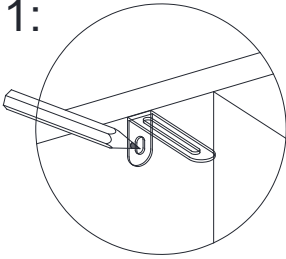


Q		R	
Plastic Buckle 8pcs		M3*16mm Screw 8pcs	

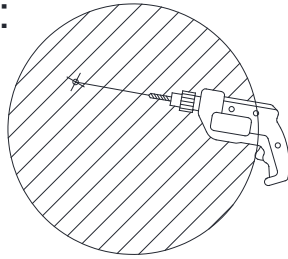
P-12-13
V-2.0

15.

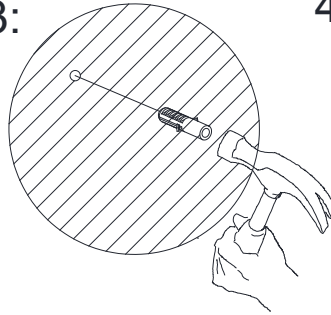
1:



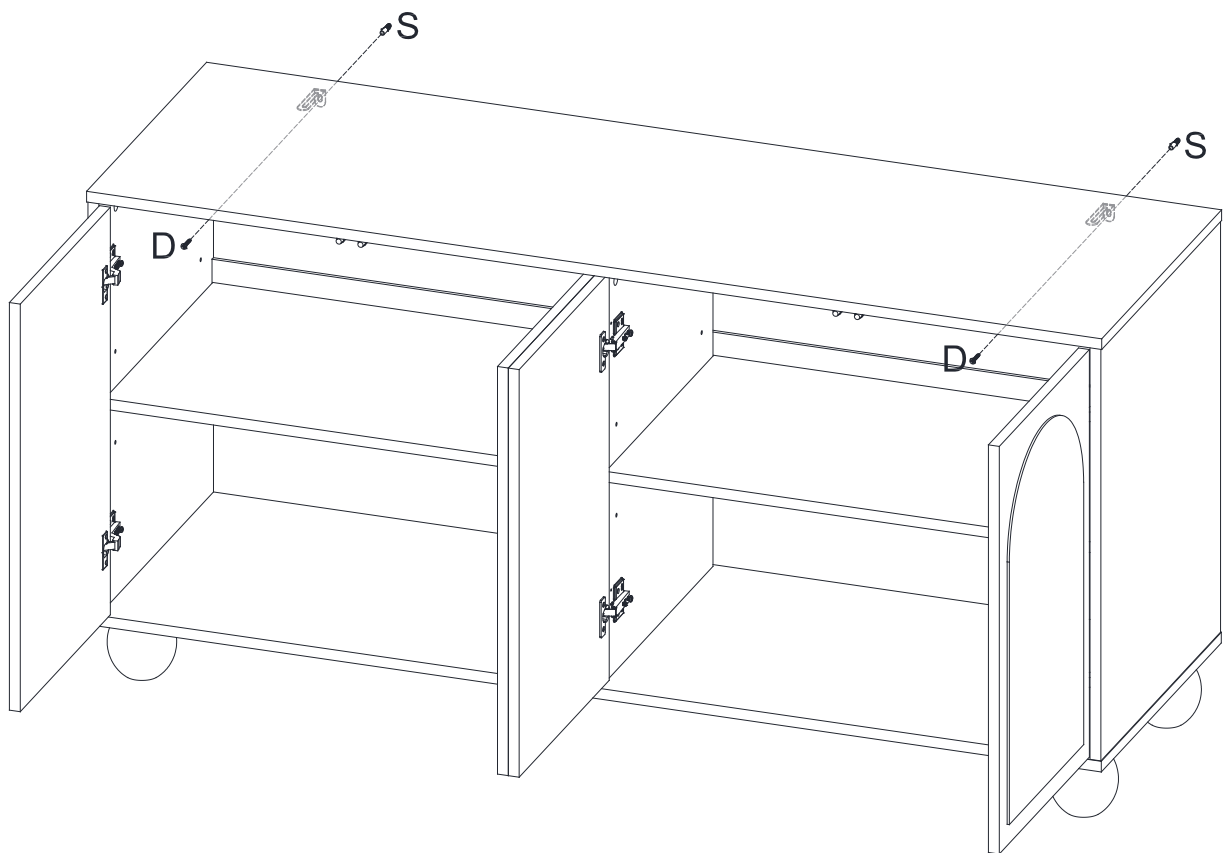
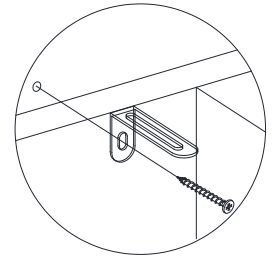
2:


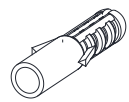


3:



4:



D	S
	
M4*35mm Screw 2pcs	Wall Plug 2pc

P-13-13
V-2.0