

DUSK.COM

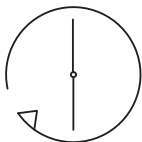
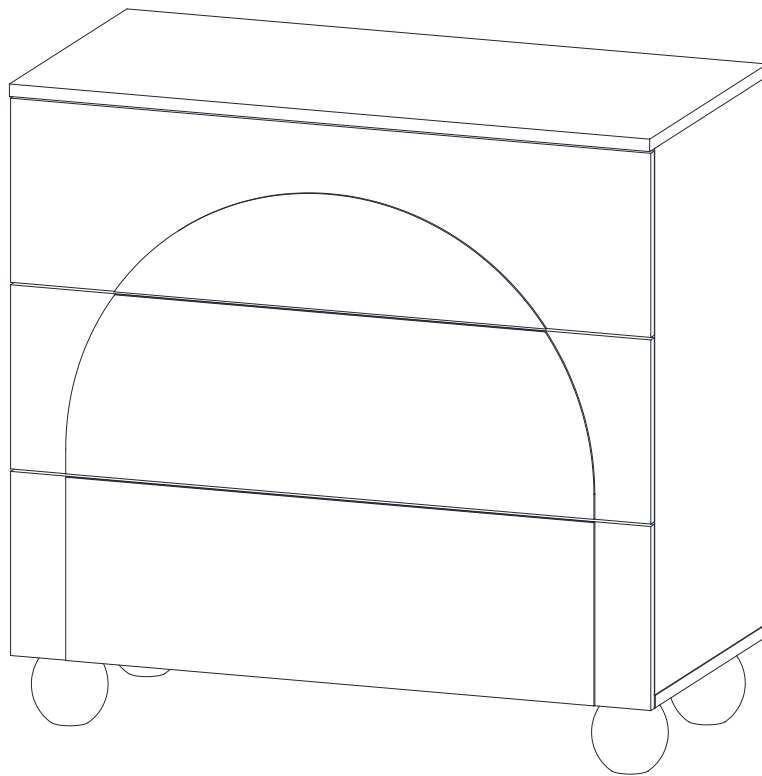
LIVING | BEDROOM | DINING

Range Name : Rachel

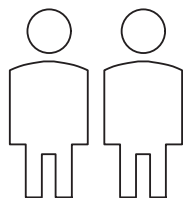
Box1 Dimension : W107.5xD49.5xH26.5cm

Product Dimension : W80xD40xH78cm

3 Drawer Chest



Up to 90 minutes
assembly time



Two person
assembly



Electric screwdriver
prohibited

This product is intended for domestic use only, not for commercial purposes.

P-1-15
V-2.0

IMPORTANT

ASSEMBLY TIP

Before you begin, it's best to identify all of the parts and fittings to build your Rachel 3 Drawer Chest frame. We advise laying these out on the floor to check you have everything, and to familiarise yourself with all of the parts and fittings before building.

TOP TIP

We recommend that you assemble the Rachel 3 Drawer Chest in the room you'd like it to be located. This will help prevent any risk of damage to the frame whilst moving it.

SAFETY AND CARE

It's important to ensure children and animals are kept away from the assembly area, as there are small components used in this product which could present a choking hazard. All plastic and wrapping materials should also be kept away from children and animals to prevent any risk of suffocation.

HELP AND SUPPORT

Please contact our customer service team on 0113 519 0311 if you have any questions or issues with your purchase.

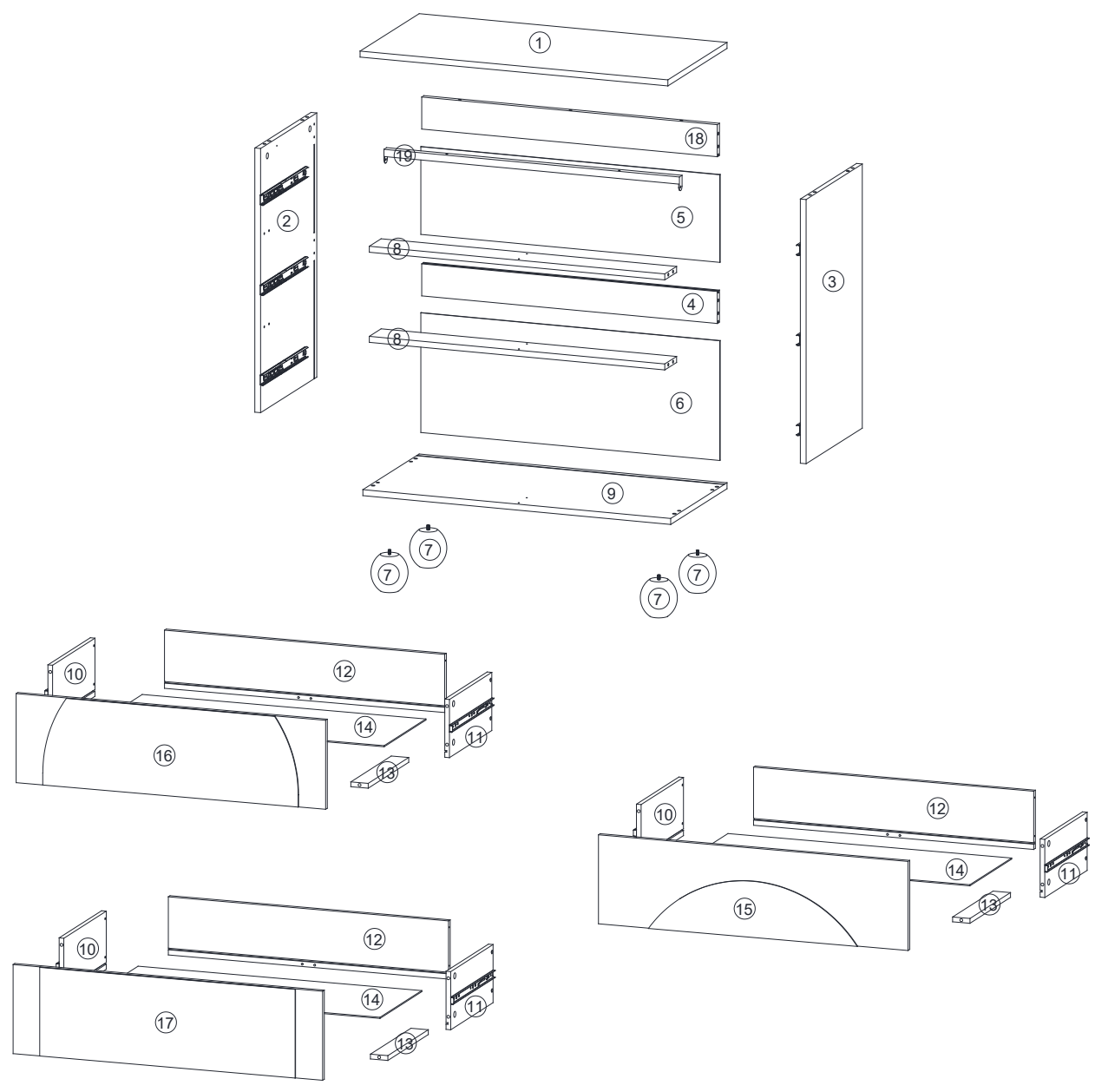
RECYCLING

Please ensure that packaging is disposed of in a safe and environmentally friendly way, and recycle where possible. Please keep your assembly instructions safe to refer back to in the future.

CARE AND MAINTENANCE:

1. Only clean using a damp cloth, do not use bleach or abrasive cleaners as they may damage the finish over time.
2. Do not use a very wet cloth or allow any liquid to contact with the veneer for a long period of time. Wipe any spillage immediately. Absorption can cause wood to warp or finishes to de-laminate.
3. Do not scrub or rub the surface when cleaning.
4. Do not drag the Rachel 3 Drawer Chest when moving, lift it off the floor instead.
5. Use a placemat or a coaster when putting hot items (e.g. hot drinks and dishes) on the wood surface.
6. It is not recommended to place the item next to sources of heat such as radiators, fires or directly exposed to sunlight. This may cause the wood to crack, split or fade due to the heat and humidity.
7. Wood will mellow and change colour over time, we recommend that ornaments and items placed on the surface to be moved regularly to prevent uneven mellowing.
8. Regularly check all fixings to ensure none have come loose. Re-tighten if necessary.
9. Avoid sharp items such as a screwdriver or any pointy tools.
10. Dispose of all packaging carefully and responsibly - recycle where possible.

Parts list



Parts list

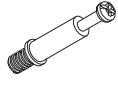







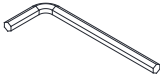
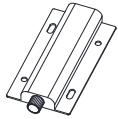

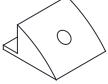

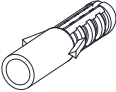



Before you begin building your Rachel 3 Drawer Chest, please take a moment to read through the instructions and make sure that you have all the relevant parts listed on the parts check list.

Part Number	Part Description	Quantity	Box No
①	Top Panel	1pc	Box 1
②	Left Side Panel With Slide	1pc	Box 1
③	Right Side Panel With Slide	1pc	Box 1
④	Back Support	1pc	Box 1
⑤	Back Panel	1pc	Box 1
⑥	Back Panel	1pc	Box 1
⑦	Leg	4pcs	Box 1
⑧	Centre Support	2pcs	Box 1
⑨	Centre Support	1pc	Box 1
⑩	Drawer Left Side With Slide	3pcs	Box 1
⑪	Drawer Right Side With Slide	3pcs	Box 1
⑫	Drawer Back Panel	3pcs	Box 1
⑬	Drawer Floor	3pcs	Box 1

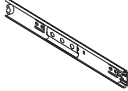
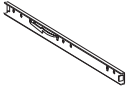

Part Number	Part Description	Quantity	Box No
⑭	Drawer Bottom	3pcs	Box 1
⑮	Drawer Front	1pc	Box 1
⑯	Drawer Front	1pc	Box 1
⑰	Drawer Front	1pc	Box 1
⑱	Back Support	1pc	Box 1
⑲	Iron Support	1pc	Box 1

Fittings

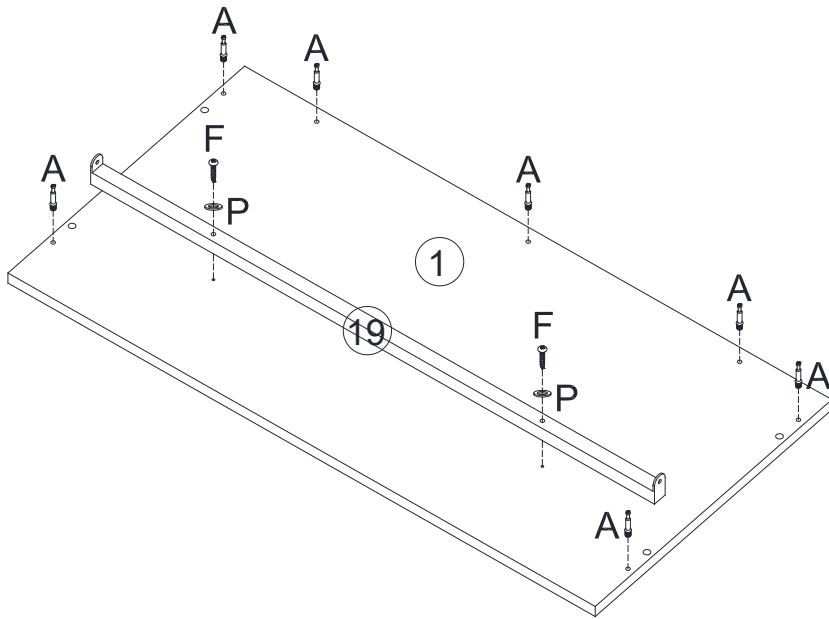
Please check you have all the fittings listed below with your product in box 1.

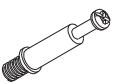


<p>A</p>  <p>M6*35mm Bolt 38pcs+4pcs extra</p>	<p>B</p>  <p>15*10mm Cam Lock 38pcs+4pcs extra</p>	<p>C</p>  <p>8*30mm Dowel 8pcs+1pc extra</p>	<p>D</p>  <p>M4*35mm Screw 20pcs+2pcs extra</p>	<p>E</p>  <p>Anti-tip Strip 2pcs</p>
<p>F</p>  <p>M4*30mm Screw 2pcs</p>	<p>G</p>  <p>M7*40mm Screw 4pcs</p>	<p>H</p>  <p>M3*12mm Screw 12pcs+1pc extra</p>	<p>I</p>  <p>Allen Key 1pc</p>	<p>J</p>  <p>Pusher 3pcs</p>
<p>K</p>  <p>Pad 4pcs</p>	<p>L</p>  <p>Plastic Buckle 8pcs+1pc extra</p>	<p>M</p>  <p>M3*16mm Screw 8pcs+1pc extra</p>	<p>N</p>  <p>Wall Plug 2pcs</p>	<p>O</p>  <p>Cover 12pcs+1pc extra</p>
<p>P</p>  <p>Lock Washer 6pcs</p>	<p>Q</p>  <p>M4*12mm Screw 4pcs</p>			

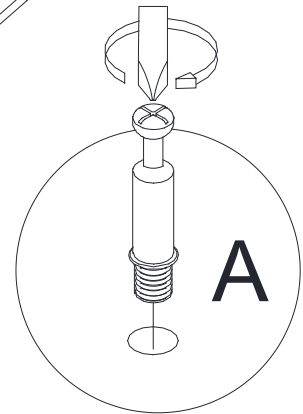
Pre-assembled Fittings

<p>R-1</p>  <p>Slide 3pcs</p>	<p>R-2</p>  <p>Slide 3pcs</p>	<p>S</p>  <p>M3*12mm Screw 36pcs</p>
---	---	--

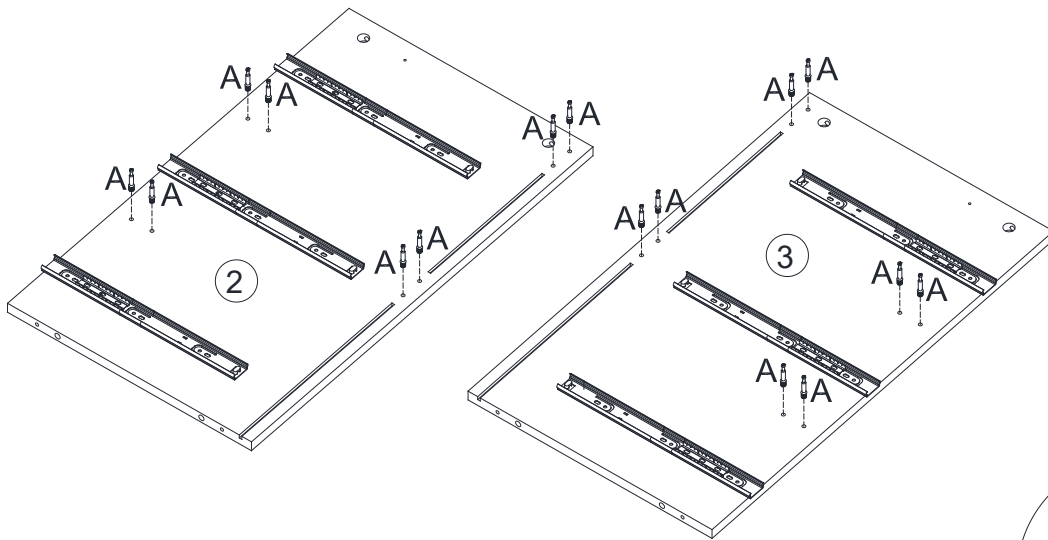
1. Attach parts to the boards.

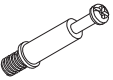


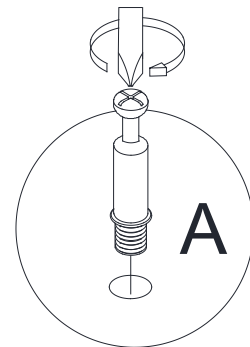
A	F	P
		
M6*35mm Bolt 7pcs	M4*30mm Screw 2pcs	Lock Washer 2pcs



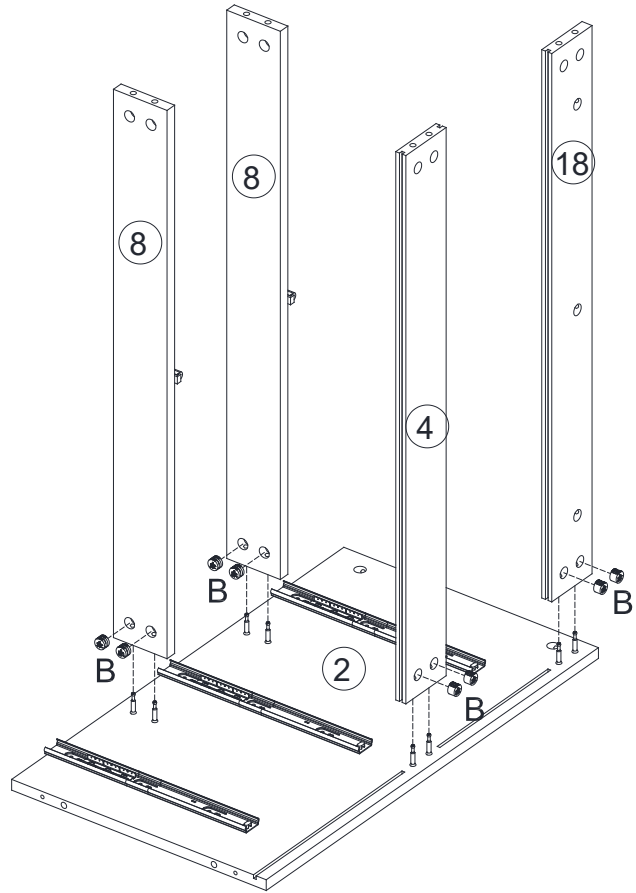
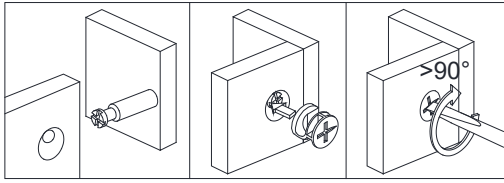
2. Attach parts to the boards.



A

M6*35mm Bolt 16pcs

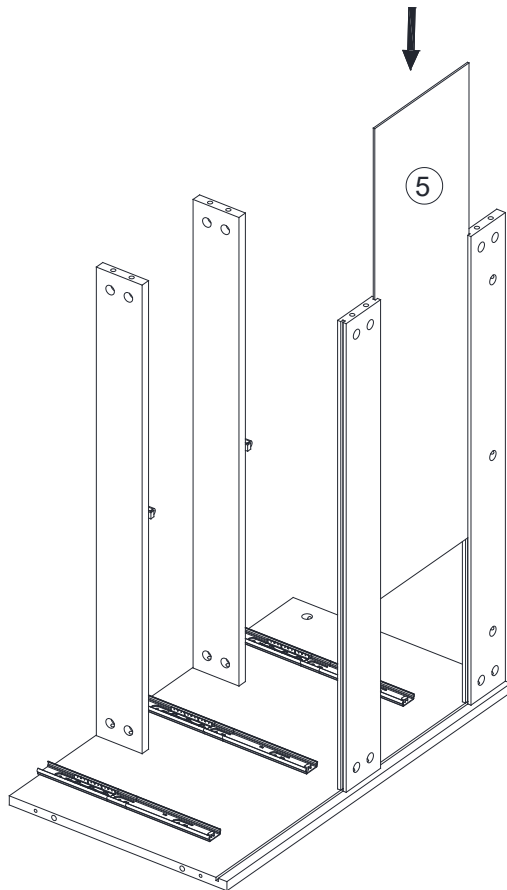


3. Attach parts to the boards.

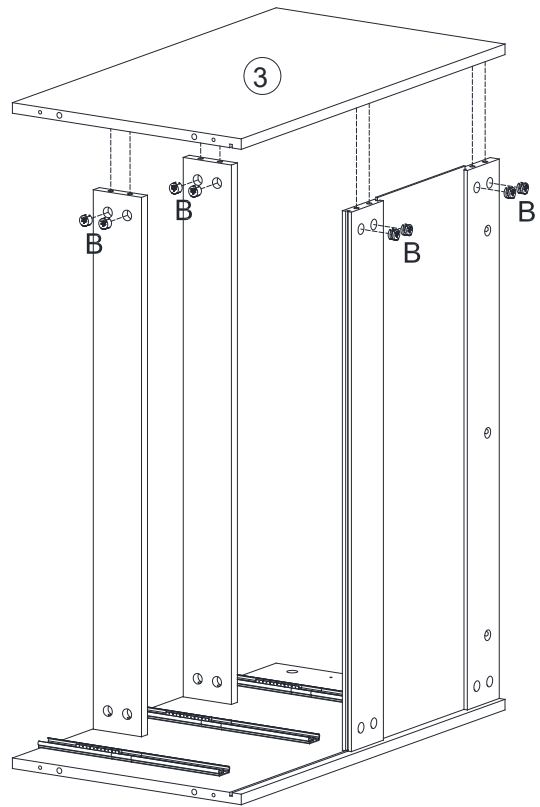
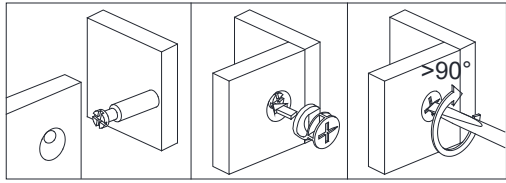



B	
15*10mm Cam Lock	
8pcs	

4.

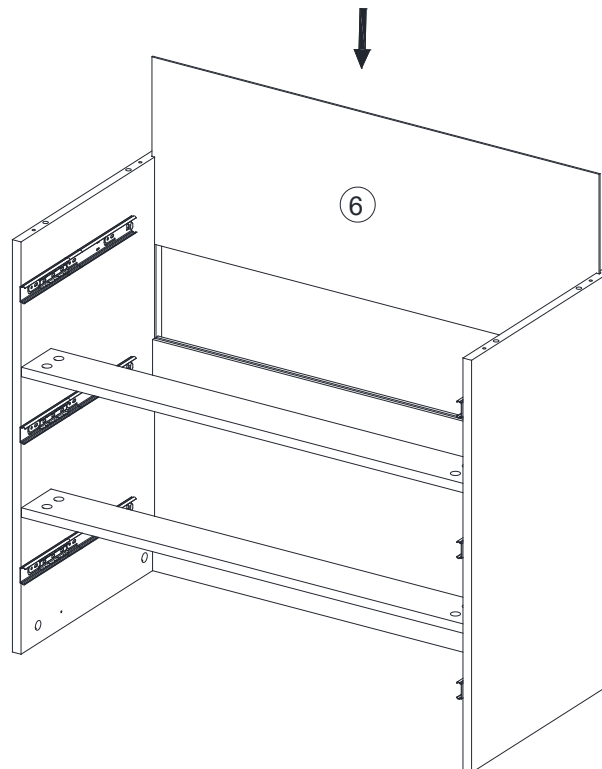


5. Assemble boards to the frame.

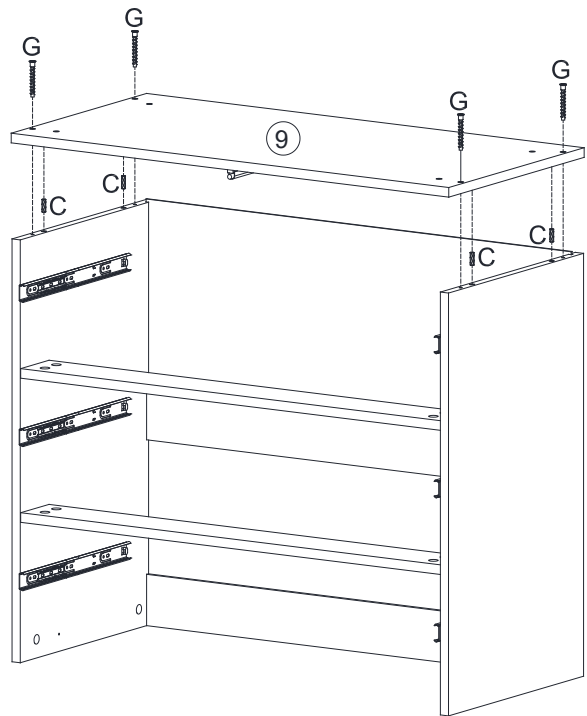
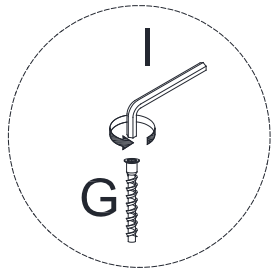


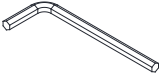


B	
15*10mm Cam Lock	
8pcs	

6.

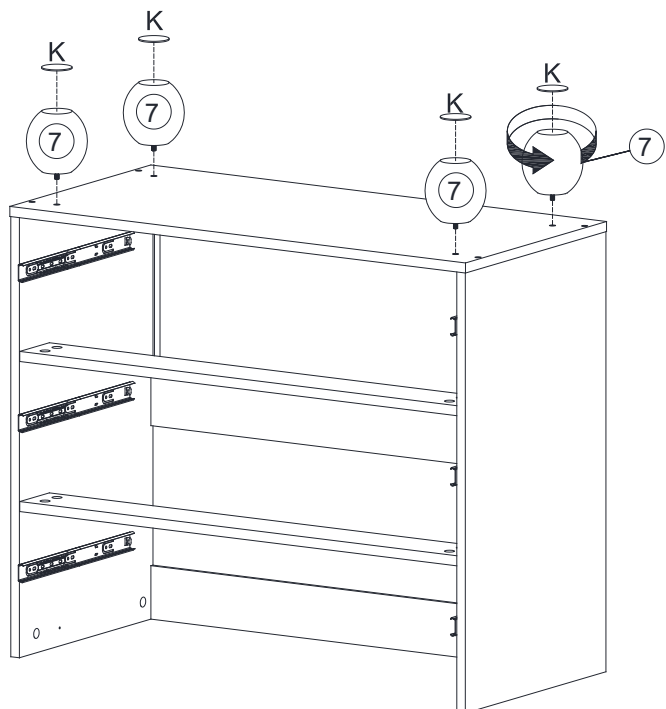



7.



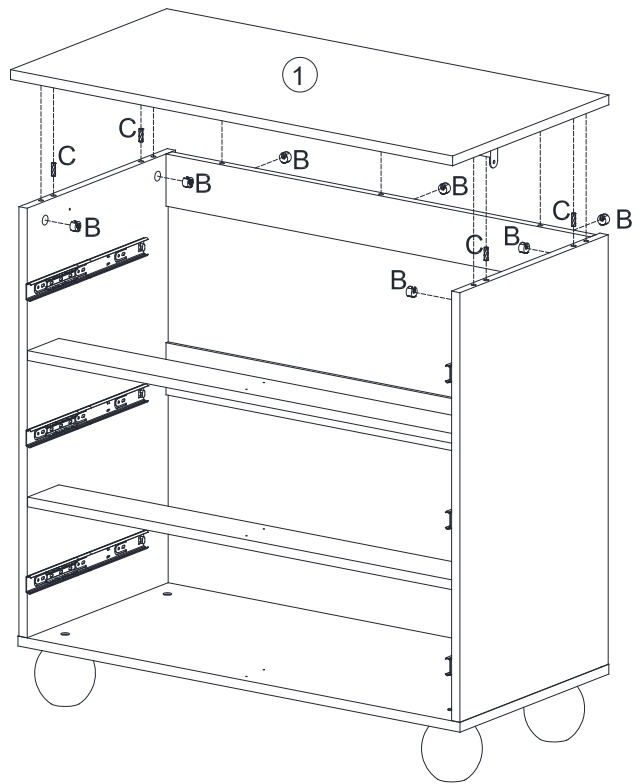
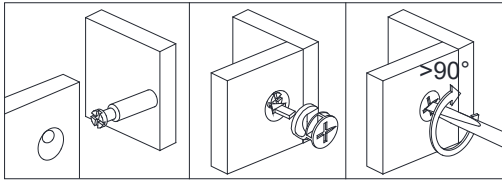
I	C	G
		
Allen Key 1pc	8*30mm Dowel 4pcs	M7*40mm Screw 4pcs



8.



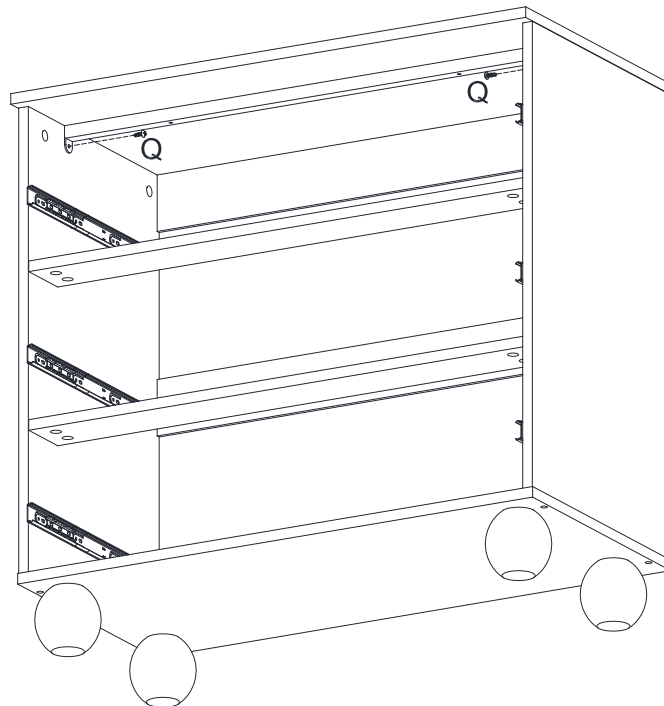
K

Pad 4pcs

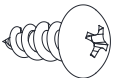
9.



B 	C 
15*10mm Cam Lock 7pcs	8*30mm Dowel 4pcs

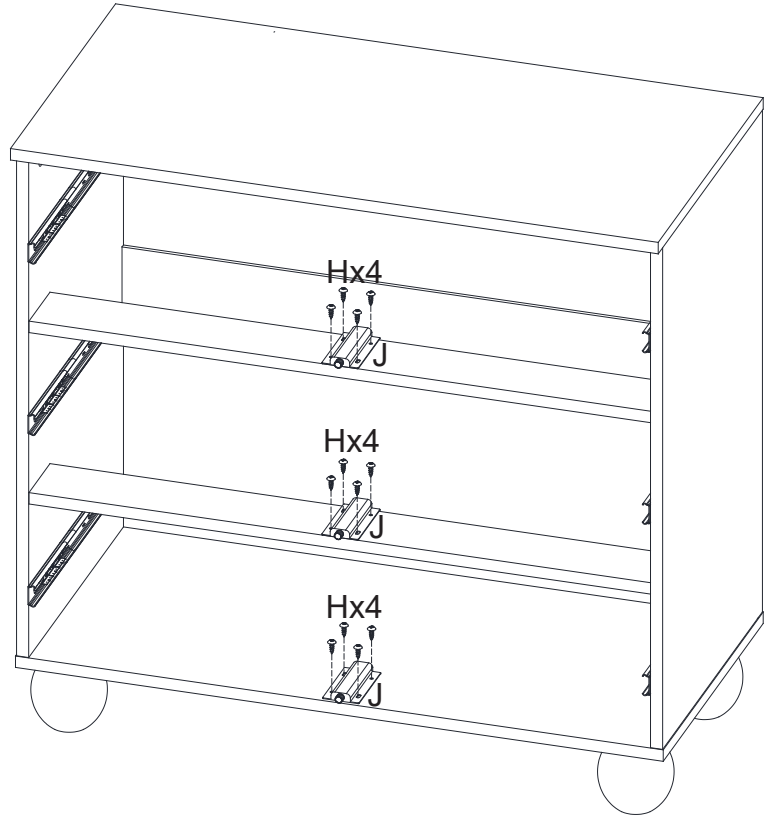
10.

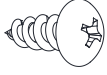
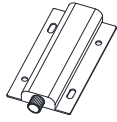


Q 
M4*12mm Screw 2pcs

P-10-15
V-2.0

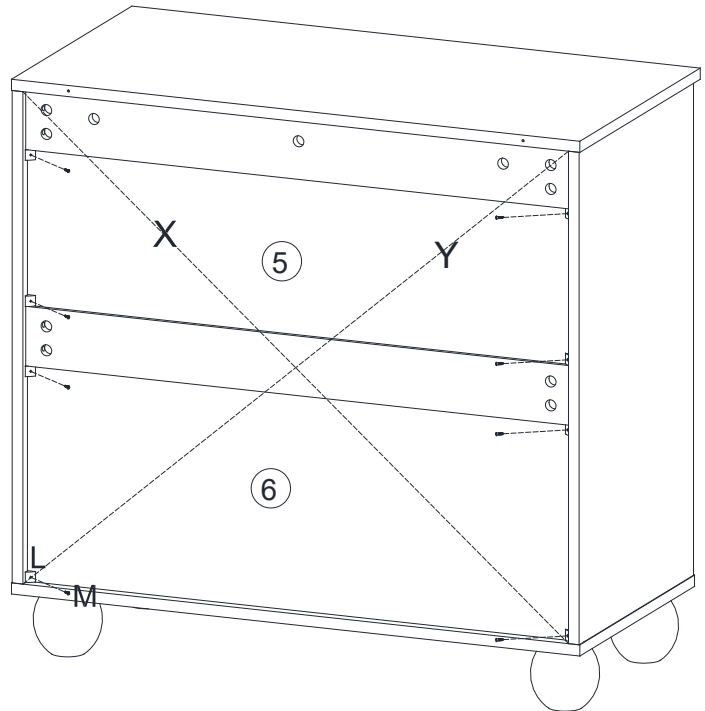
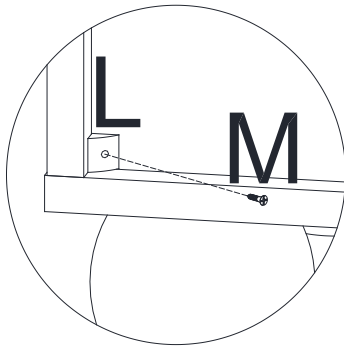
11.

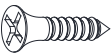
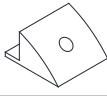


H	J
	
M3*12mm Screw 12pcs	Pusher 3pcs

12.

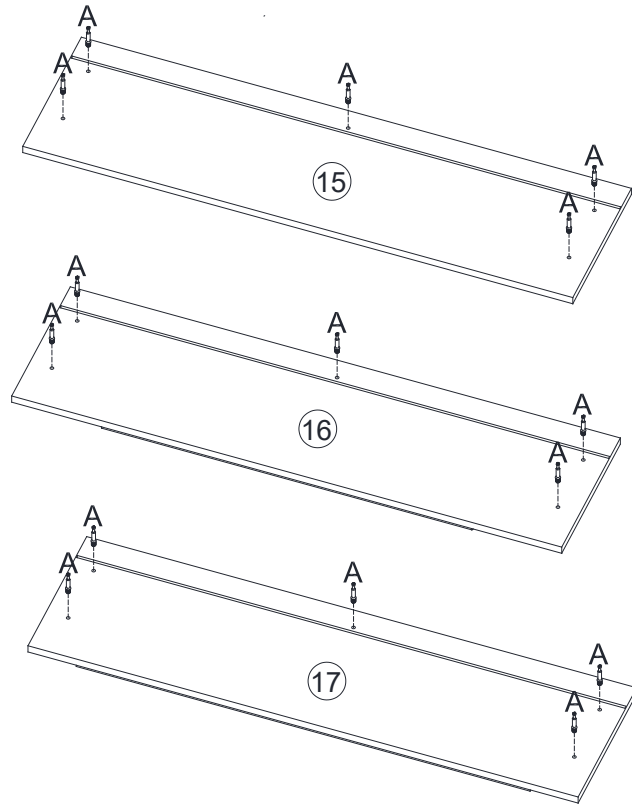
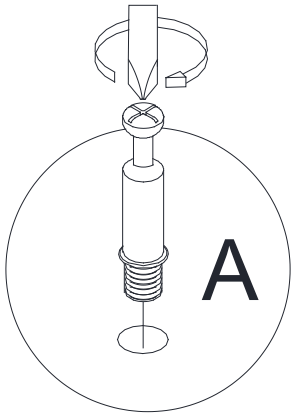
X=Y



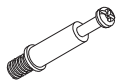
M	L
	
M3*16mm Screw 8pcs	Plastic Buckle 8pcs

P-11-15
V-2.0

13.

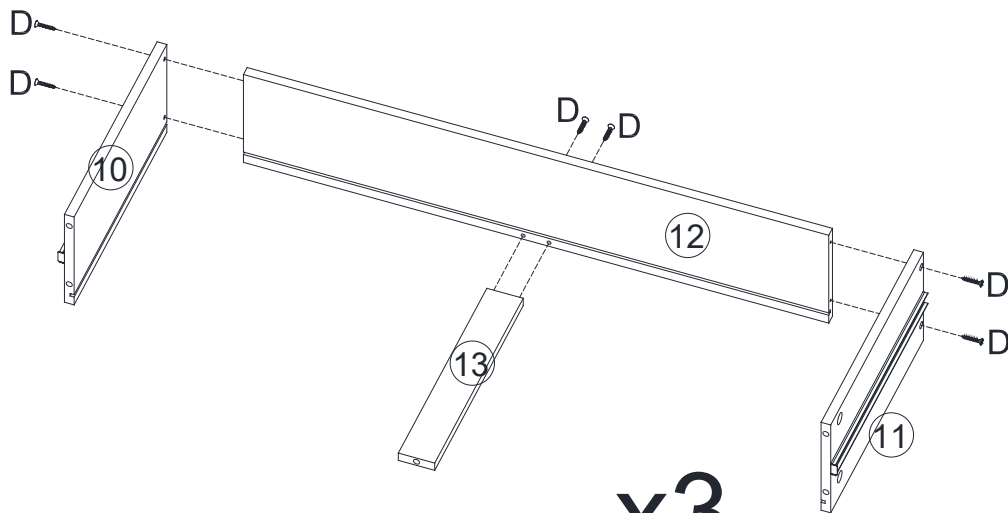


A



M6*35mm Bolt
15pcs

14.



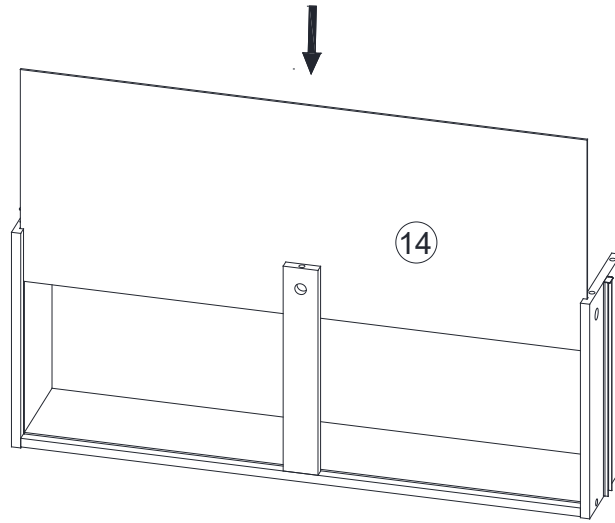
D



M4*35mm Screw
18pcs

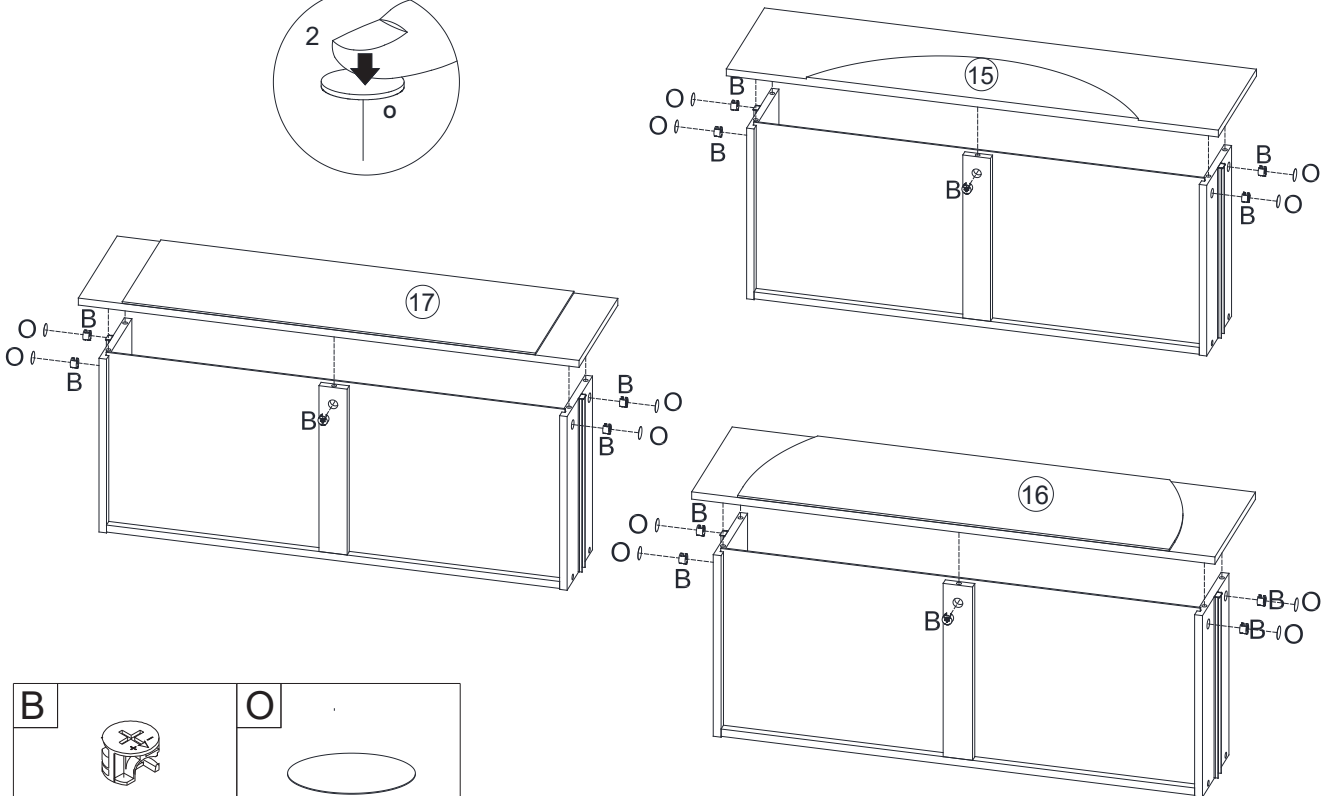
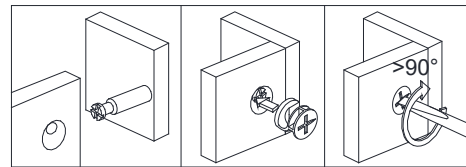
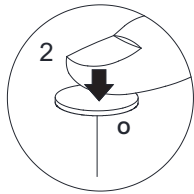
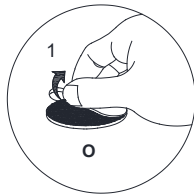
P-12-15
V-2.0

15.



x3

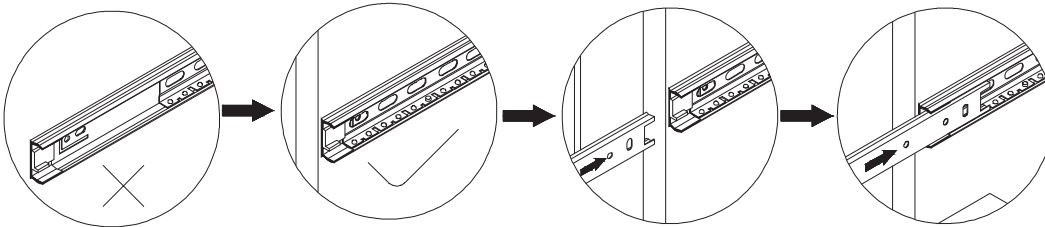
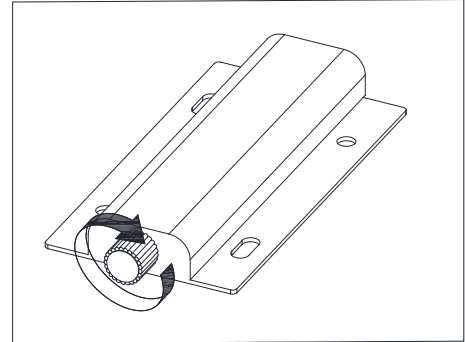
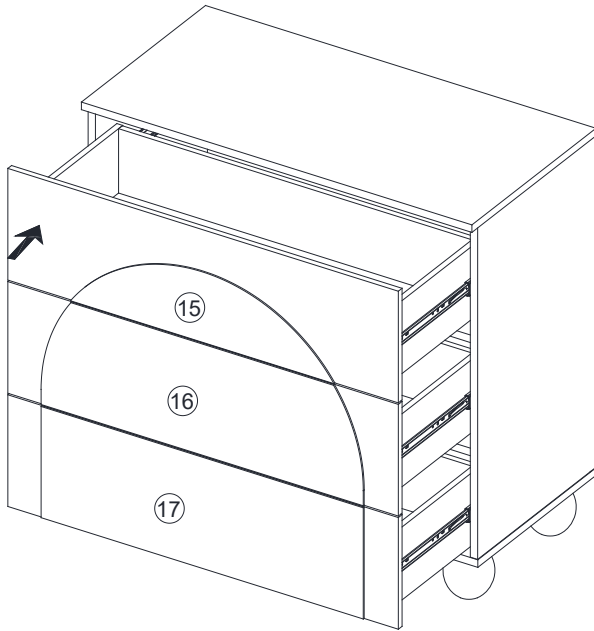
16.



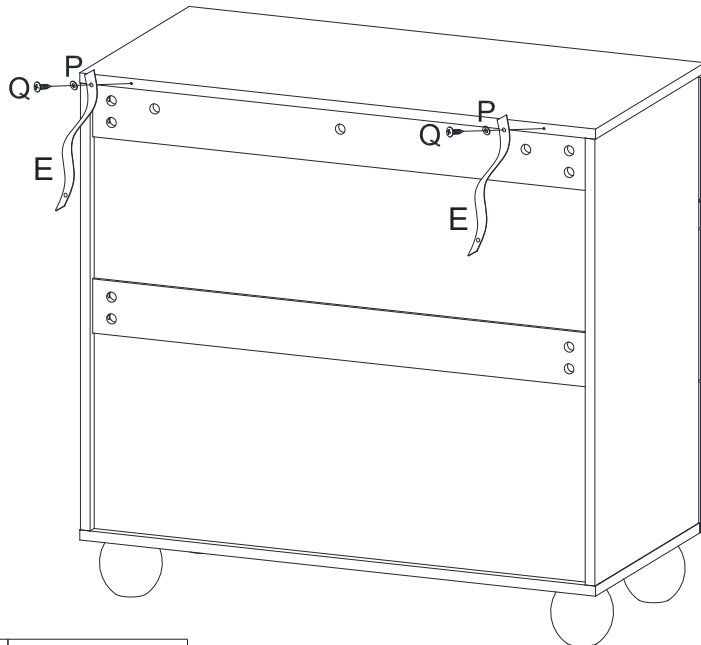
B		O	
	15*10mm Cam Lock		Cover
	15pcs		12pcs




P-13-15
V-2.0

17.

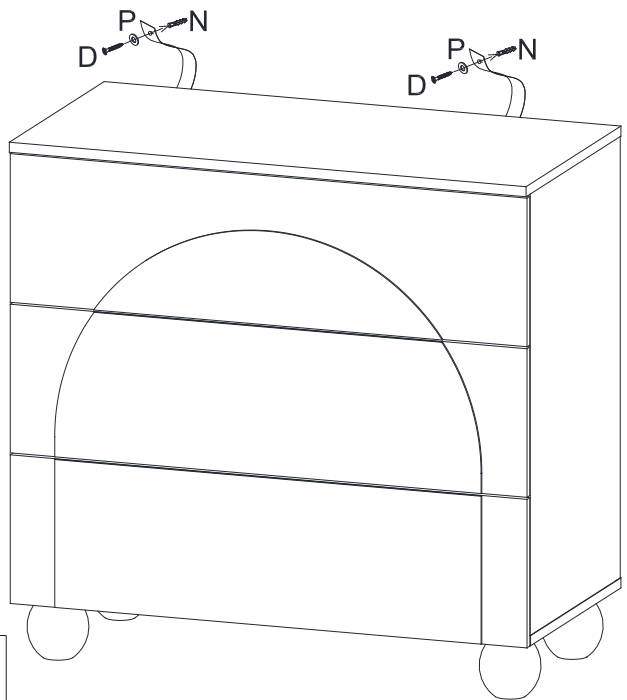
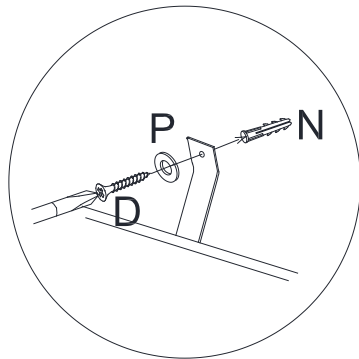


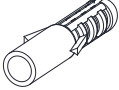


18.



P	Q	E
		
Lock Washer 2pcs	M4*12mm Screw 2pcs	2pcs

19.



N 	P 	D 
Wall Plug 2pcs	Anti-tip Strip 2pcs	M4*35mm Screw 2pcs

20.

