

DUSK.COM

LIVING | BEDROOM | DINING

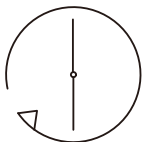
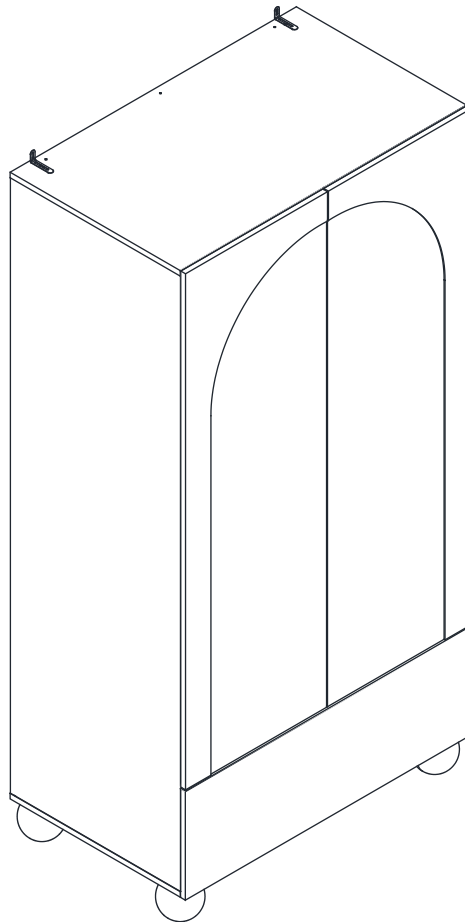
Range Name : Rachel

Box1 Dimension : W135xD66xH17.5cm

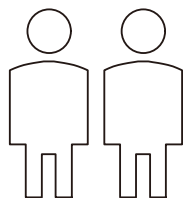
Box2 Dimension : W183xD66xH16cm

Product Dimension : W90xD54.5xH180cm

2 Door Wardrobe



Up to 120 minute
sassembly time



Two person
assembly



Electric screwdriver
prohibited

This product is intended for domestic use only,not for commercial purposes.

P-1-20
V-1.0

IMPORTANT

ASSEMBLY TIP

Before you begin, it's best to identify all of the parts and fittings to build your Rachel 2 door wardrobe frame. We advise laying these out on the floor to check you have everything, and to familiarise yourself with all of the parts and fittings before building.

TOP TIP

We recommend that you assemble the Rachel 2 door wardrobe in the room you'd like it to be located. This will help prevent any risk of damage to the frame whilst moving it.

SAFETY AND CARE

It's important to ensure children and animals are kept away from the assembly area, as there are small components used in this product which could present a choking hazard. All plastic and wrapping materials should also be kept away from children and animals to prevent any risk of suffocation.

HELP AND SUPPORT

Please contact our customer service team on 0113 519 0311 if you have any questions or issues with your purchase.

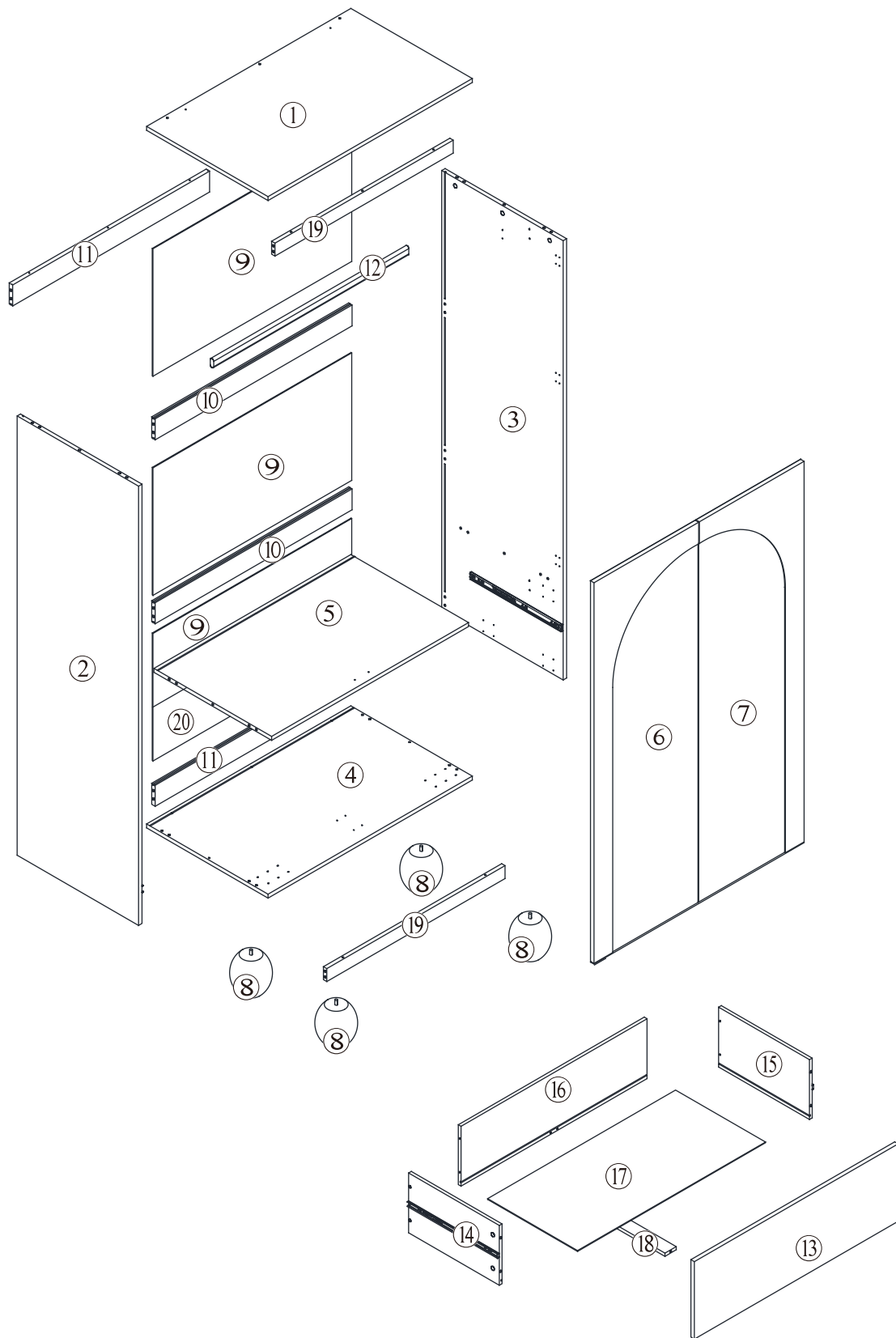
RECYCLING

Please ensure that packaging is disposed of in a safe and environmentally friendly way, and recycle where possible. Please keep your assembly instructions safe to refer back to in the future.

CARE AND MAINTENANCE:

1. Only clean using a damp cloth, do not use bleach or abrasive cleaners as they may damage the finish over time.
2. Do not use a very wet cloth or allow any liquid to contact with the veneer for a long period of time. Wipe any spillage immediately. Absorption can cause wood to warp or finishes to de-laminate.
3. Do not scrub or rub the surface when cleaning.
4. Do not drag the Rachel 2 door wardrobe when moving, lift it off the floor instead.
5. Use a placemat or a coaster when putting hot items (e.g. hot drinks and dishes) on the wood surface.
6. It is not recommended to place the item next to sources of heat such as radiators, fires or directly exposed to sunlight. This may cause the wood to crack, split or fade due to the heat and humidity.
7. Wood will mellow and change colour over time, we recommend that ornaments and items placed on the surface to be moved regularly to prevent uneven mellowing.
8. Regularly check all fixings to ensure none have come loose. Re-tighten if necessary.
9. Avoid sharp items such as a screwdriver or any pointy tools.
10. Dispose of all packaging carefully and responsibly - recycle where possible.

Parts list



Parts list

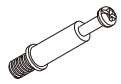



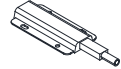
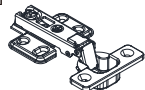





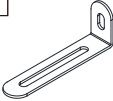


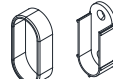
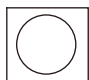

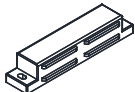

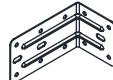



Before you begin building your Rachel 2 door wardrobe, please take a moment to read through the instructions and make sure that you have all the relevant parts listed on the parts check list.

Part Number	Part Description	Quantity	Box No
①	Top Panel	1pc	Box 1
②	Left Side Panel with slides Pre-assembled	1pc	Box 2
③	Right Side Panel with slides Pre-assembled	1pc	Box 2
④	Bottom Panel	1pc	Box 1
⑤	Left Fixed Shelf	1pc	Box 1
⑥	Left Door Panel	1pc	Box 2
⑦	Right Door Panel	1pc	Box 2
⑧	Leg	4pcs	Box 1
⑨	Back Panel	3pcs	Box 1
⑩	Back Rail	2pcs	Box 1
⑪	Back Rail	2pcs	Box 1
⑫	Clothes Poles	1pc	Box 1




Part Number	Part Description	Quantity	Box No
⑬	Drawer face	1pc	Box 1
⑭	Left drawer side with slides Pre-assembled	1pc	Box 1
⑮	Right drawer side with slides Pre-assembled	1pc	Box 1
⑯	Drawer back	1pc	Box 1
⑰	Drawer bottom	1pc	Box 1
⑱	Drawer bottom support	1pc	Box 1
⑲	Front Trim	2pcs	Box 1

Fittings

Please check you have all the fittings listed below with your product in box 1.

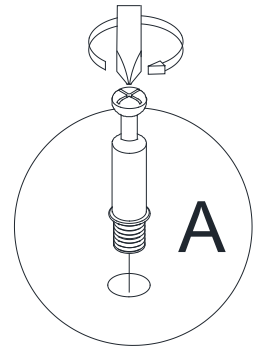
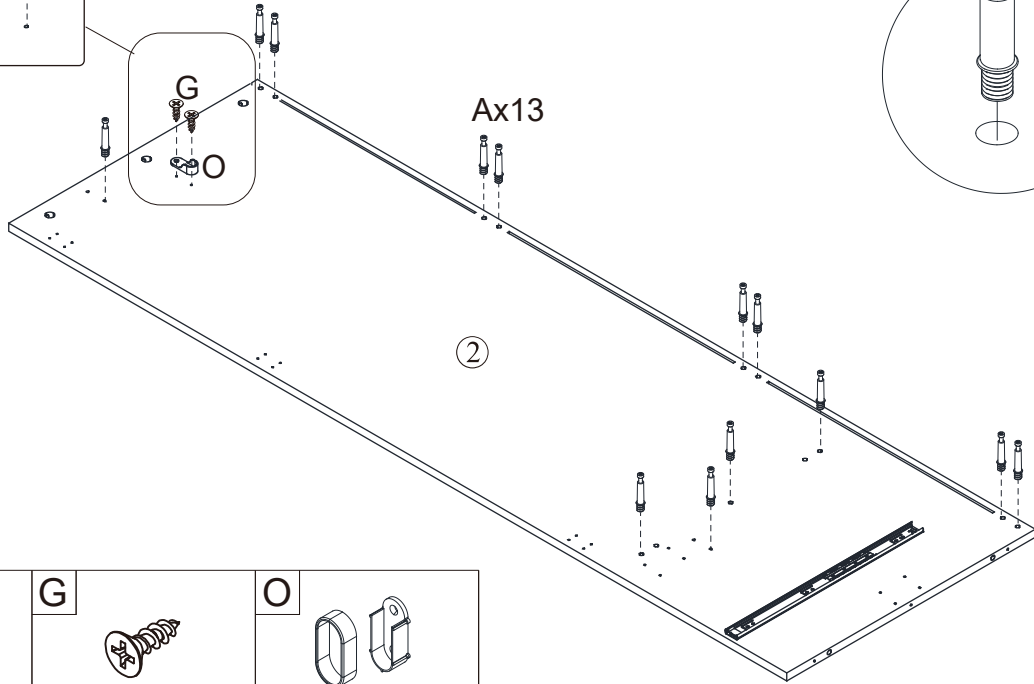
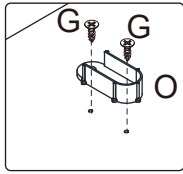
<p>A</p>  <p>M6*35mm Bolt 37pcs+3pcs extra</p>	<p>B</p>  <p>15*10mm Cam Lock 37pcs+3pcs extra</p>	<p>C</p>  <p>8*30mm Dowel 16pcs+2pc extra</p>	<p>D</p>  <p>7*60mm Screw 6 pcs+1pcs extra</p>	<p>E</p>  <p>Pusher 3pcs</p>
<p>F</p>  <p>Hinge 6 pcs</p>	<p>G</p>  <p>M4*14mm Screw 40pcs</p>	<p>H</p>  <p>M4*35mm Screw 14pcs</p>	<p>I</p>  <p>Plastic Buckle 32pcs+2pcs extra</p>	<p>J</p>  <p>M3*16mm Screw 34pcs+2pcs extra</p>
<p>K</p>  <p>M4*50mm Screw 6pcs</p>	<p>L</p>  <p>Wall Bracket 2pcs</p>	<p>M</p>  <p>M4*12mm Screw 74pcs</p>	<p>N</p>  <p>Wall Plug 2pcs</p>	<p>O</p>  <p>Clothes Tray 2pcs</p>
<p>P</p>  <p>Cover 10pcs+1pc extra</p>	<p>Q</p>  <p>Pad 4pcs</p>	<p>R</p>  <p>Magnet 1pc</p>	<p>S</p>  <p>Metal plate 1pc</p>	<p>T</p>  <p>Connector 6pcs</p>
<p>U</p>  <p>M3*12mm Screw 2pcs</p>	<p>V</p>  <p>M3*10mm Screw 3pcs</p>	<p>W</p>  <p>Wrench 1pc</p>		

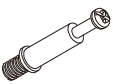

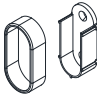
Pre-assembled Fittings

<p>X-1</p>  <p>Slide 1pc</p>	<p>X-2</p>  <p>Slide 1pc</p>	<p>Y</p>  <p>M3.5*12mm Screw 10 pcs</p>
--	--	---

1.

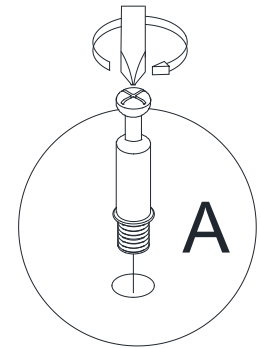
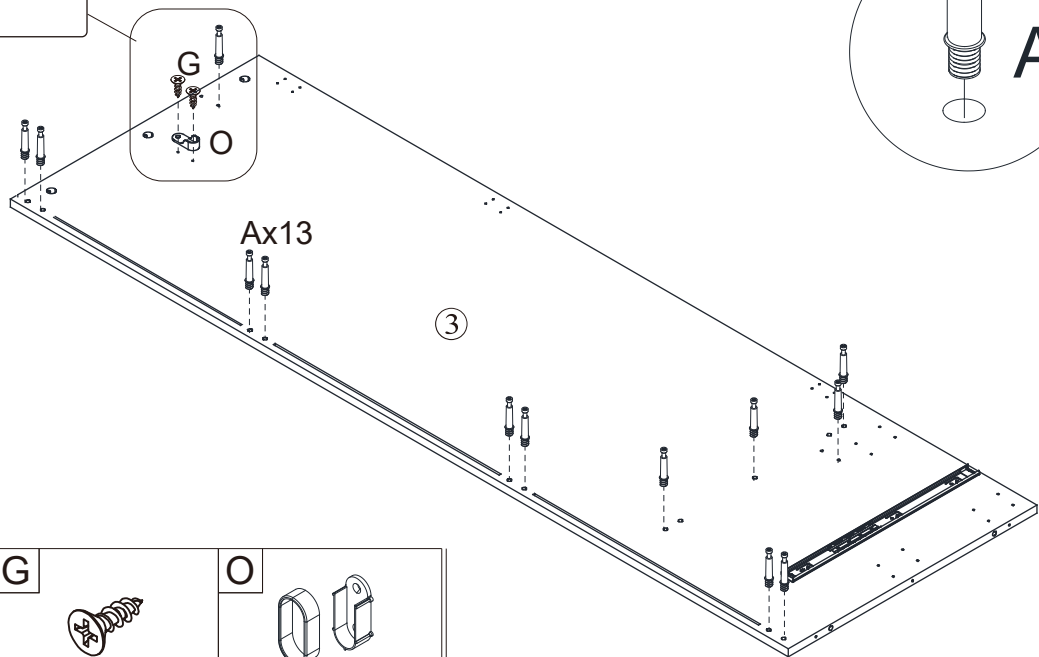
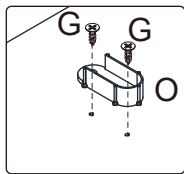
Attach parts to the boards.

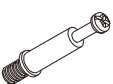

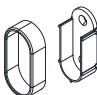


		
<p>M6*35mm Bolt 13pcs</p>	<p>M4*14mm Screw 2pcs</p>	<p>Clothes Tray 1pcs</p>

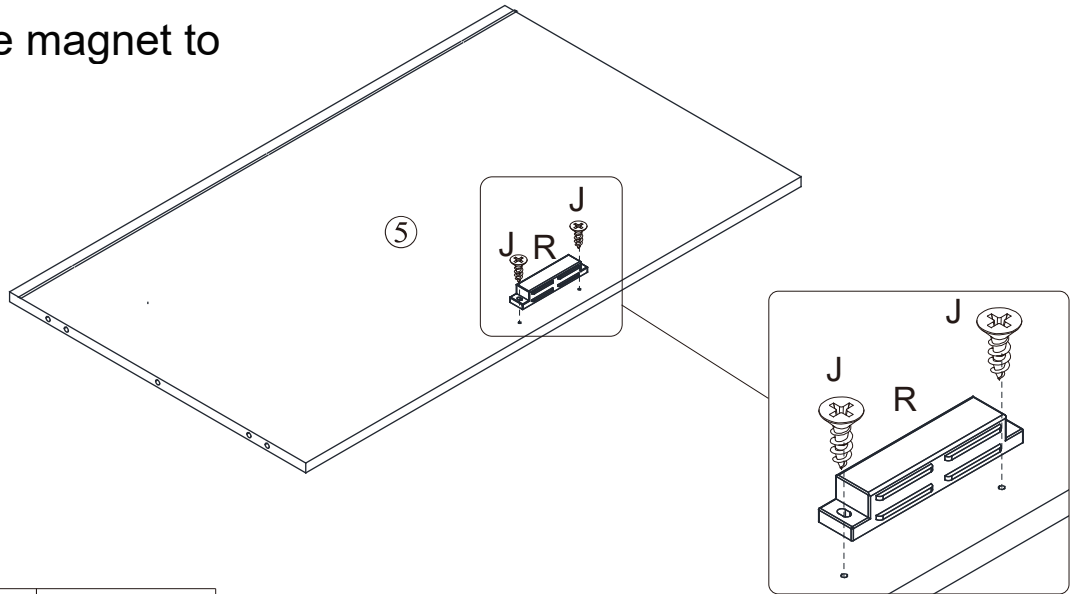
2.


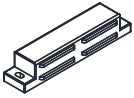
Attach parts to the boards.



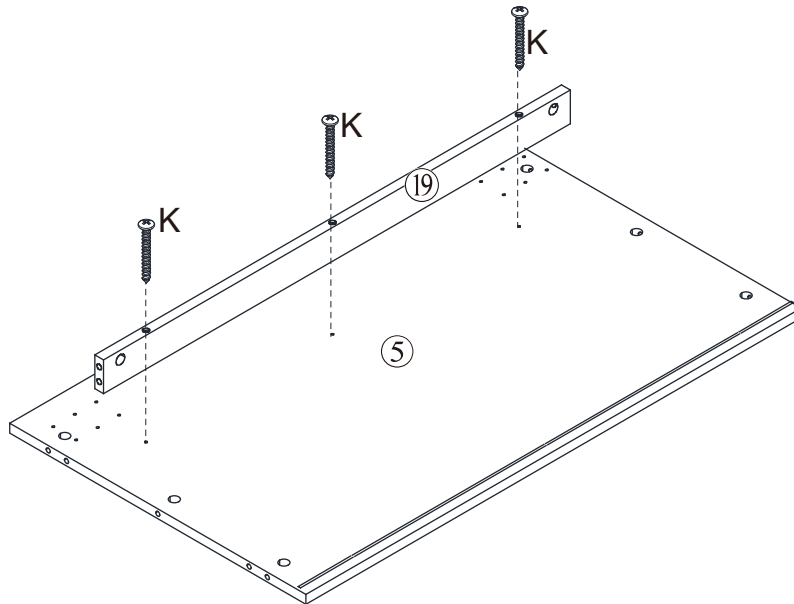
		
<p>M6*35mm Bolt 13pcs</p>	<p>M4*14mm Screw 2pcs</p>	<p>Clothes Tray 1pcs</p>


3. Assemble magnet to the board.



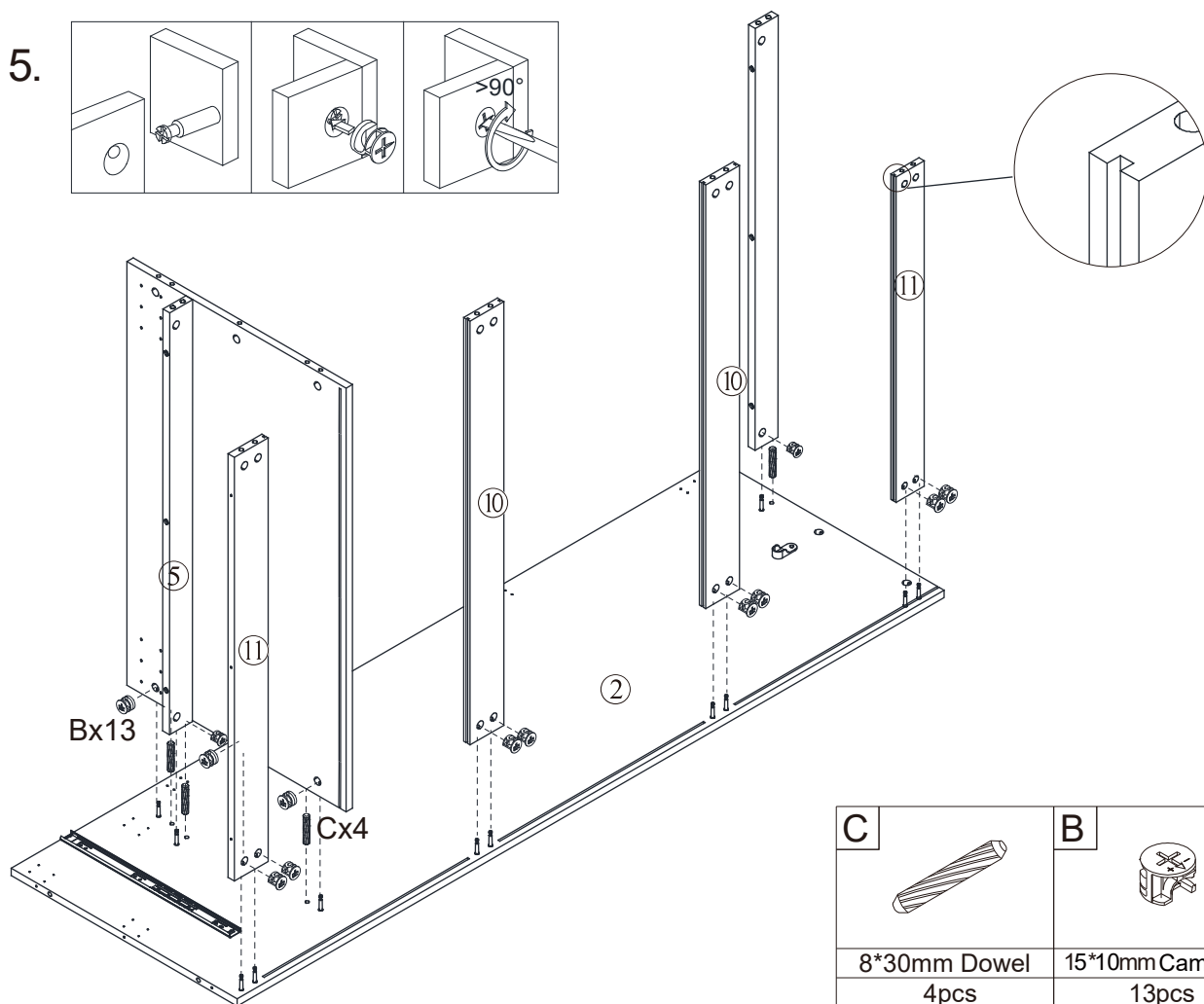
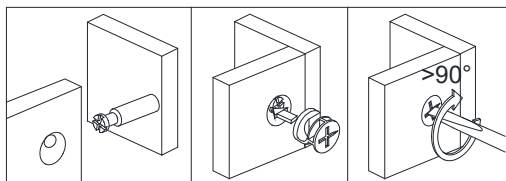
J 	R 
M3*16mm Screw 2pcs	Magnet 1pcs

4. Assemble boards to the frame.

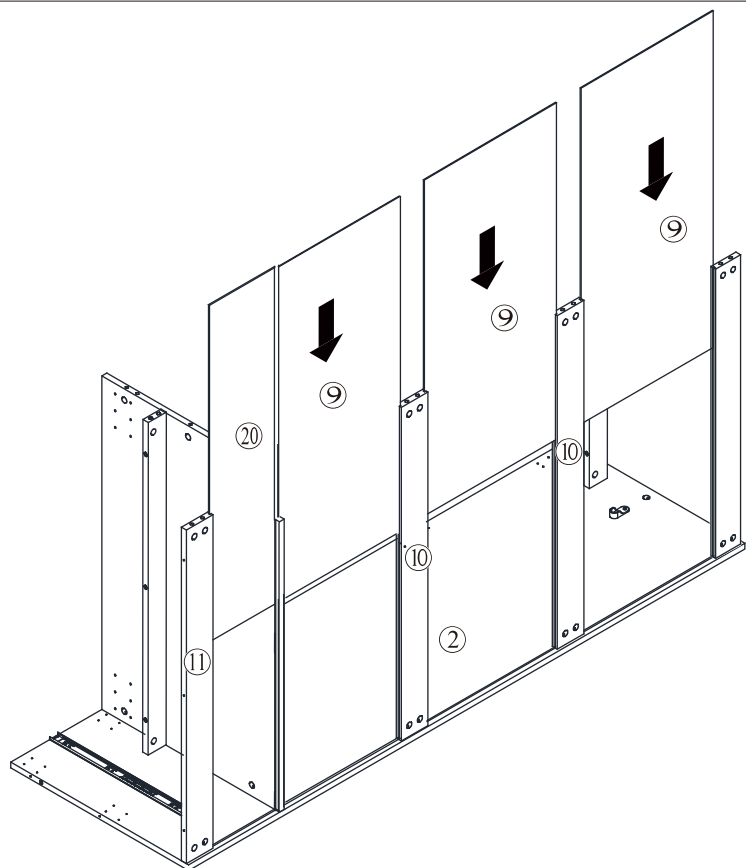


K 
M4*35mm Screw 3pcs

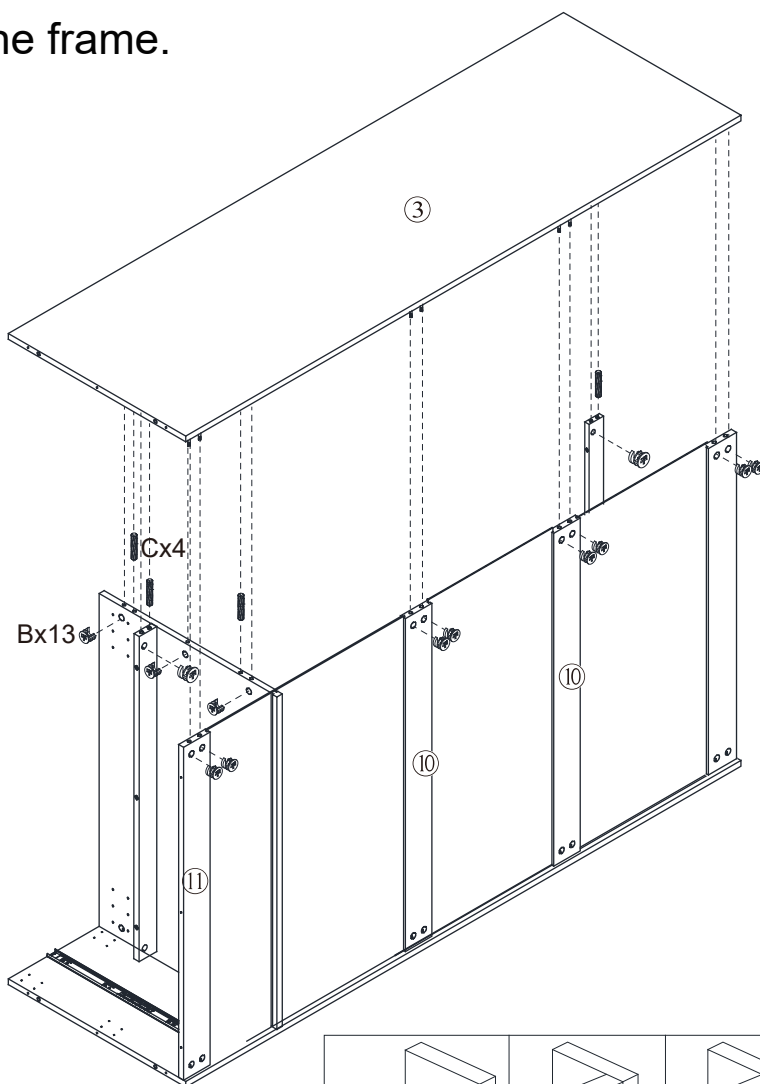
5.


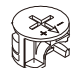


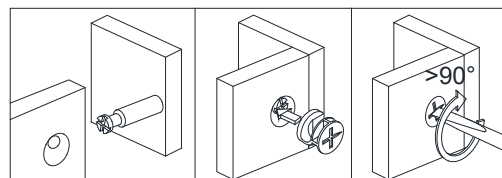
6.



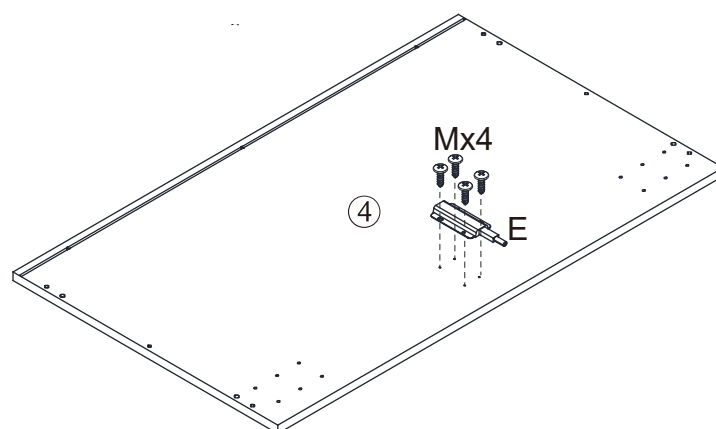
7. Assemble boards to the frame.

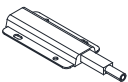



C		B	
	8*30mm Dowel 4pcs		15*10mm Cam Lock 13pcs

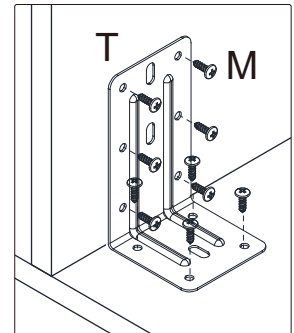
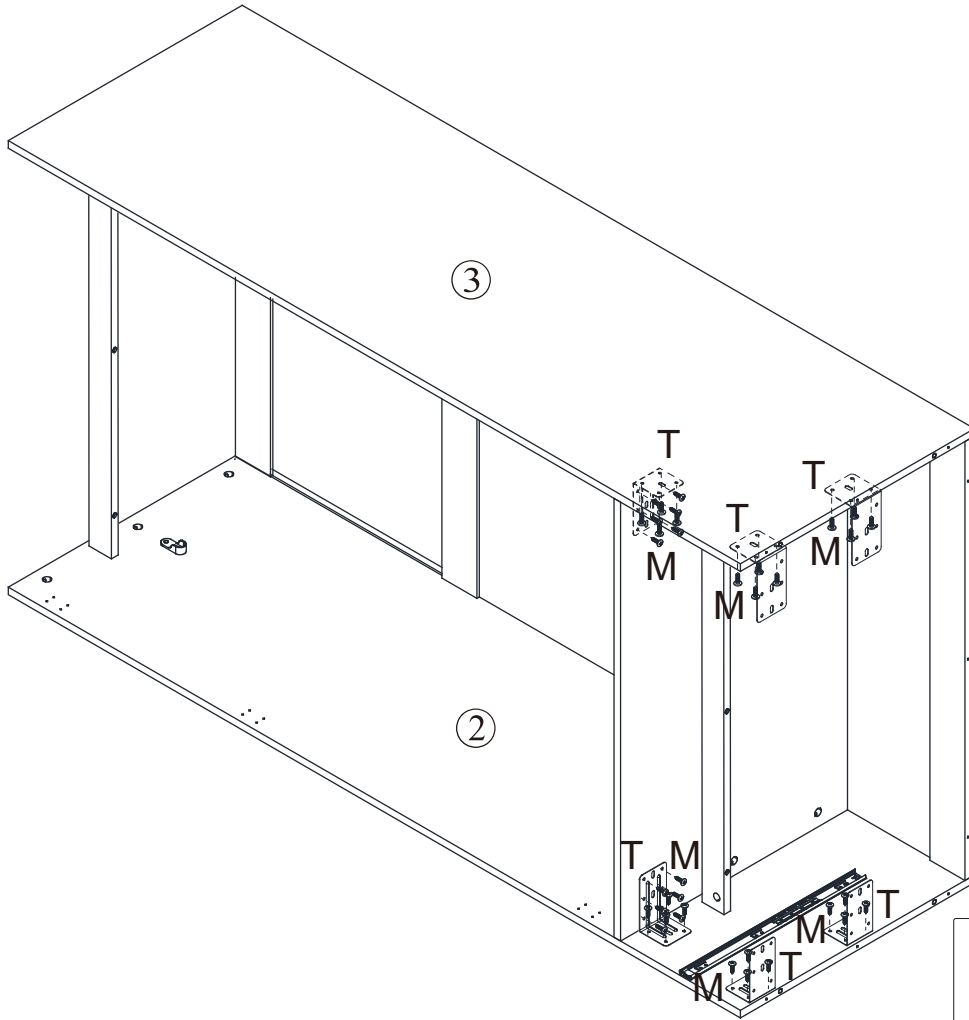



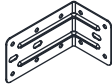
8.



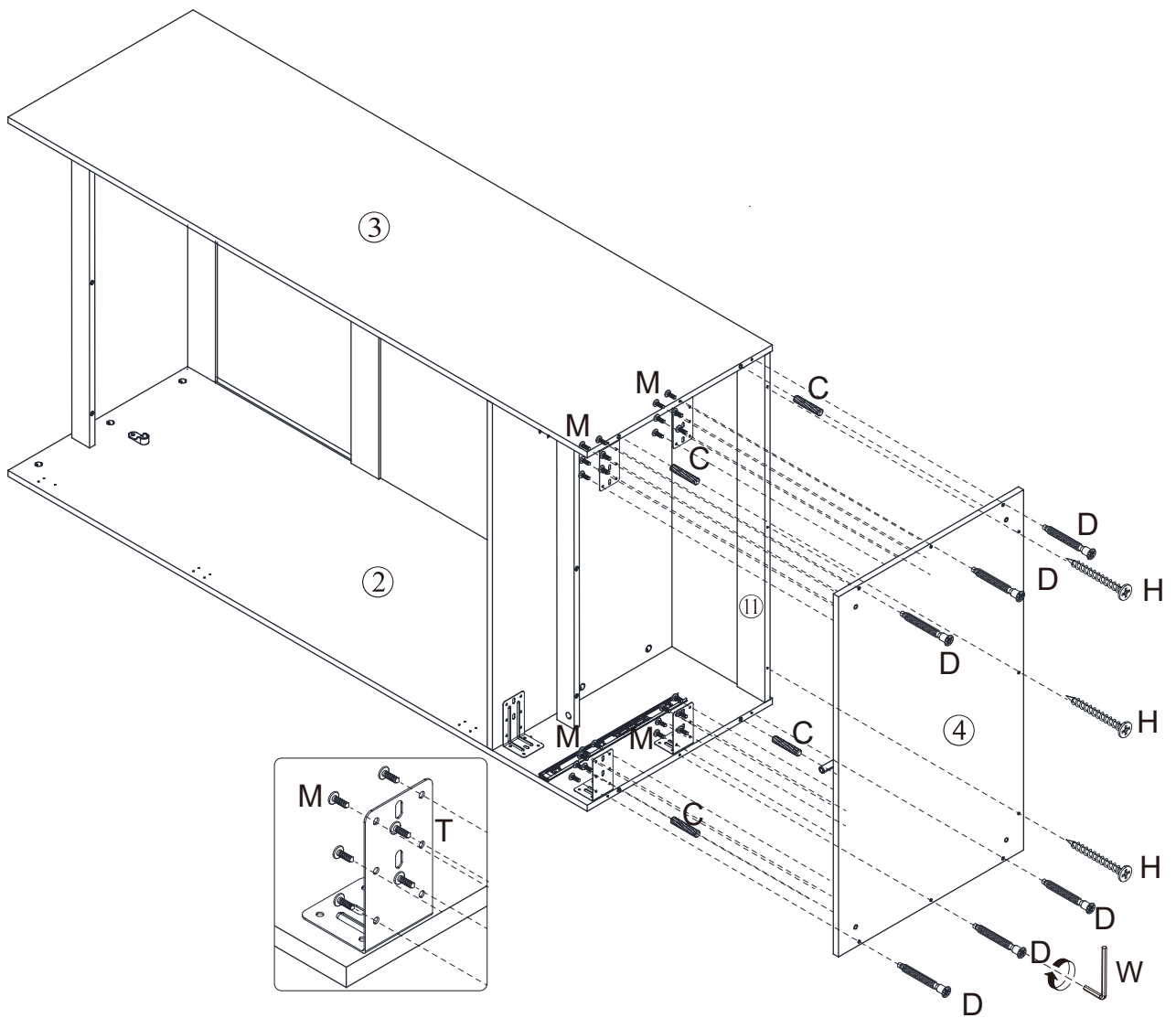
E		M	
	Pusher 1 pcs		M4*12mm Screw 4 pcs


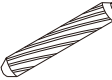

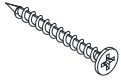

9.



<p>M</p> 	<p>T</p> 
<p>M4*12mm Screw 36 pcs</p>	<p>Connector 6pcs</p>

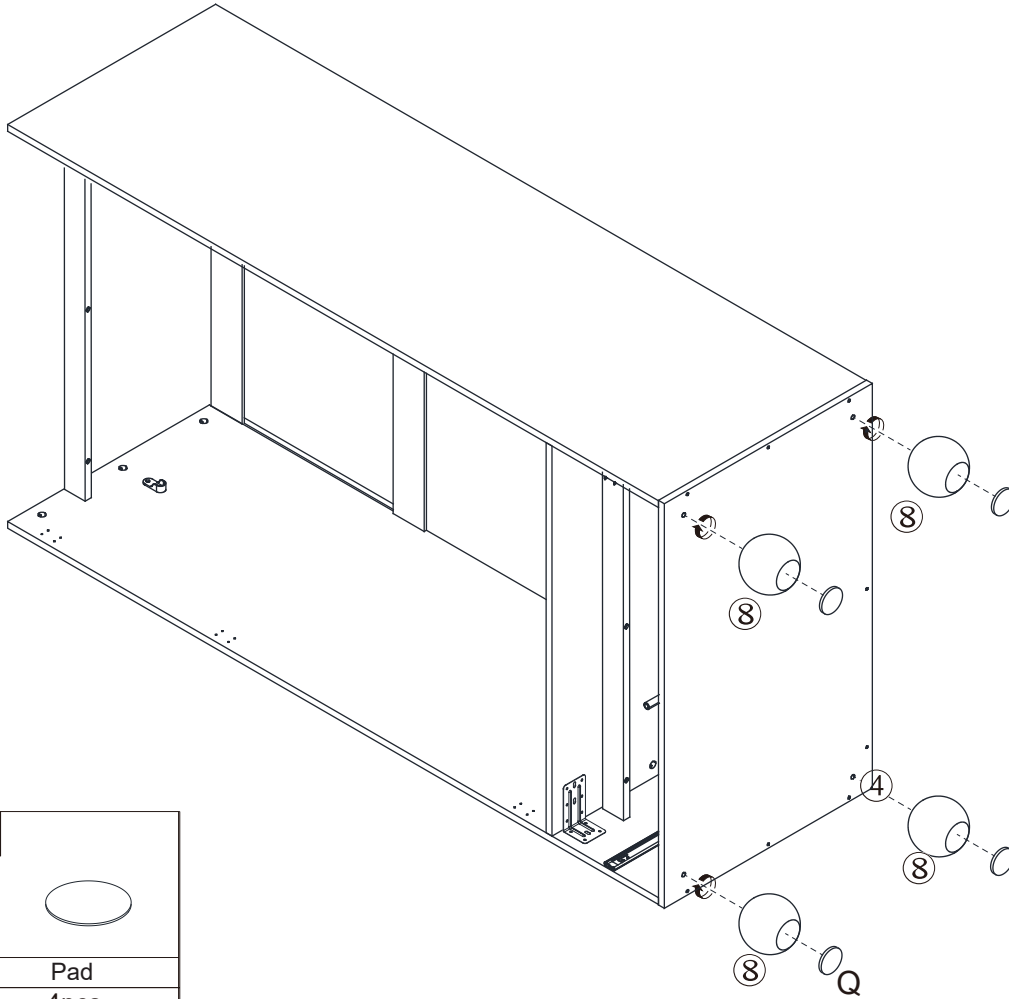
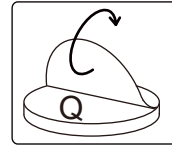
10.



M	C	D	H	W
				
M4*12mm Screw 24 pcs	8*30mm Dowel 4pcs	7*60mm Screw 6pcs	M4*35mm Screw 3pcs	Wrench 1 pc

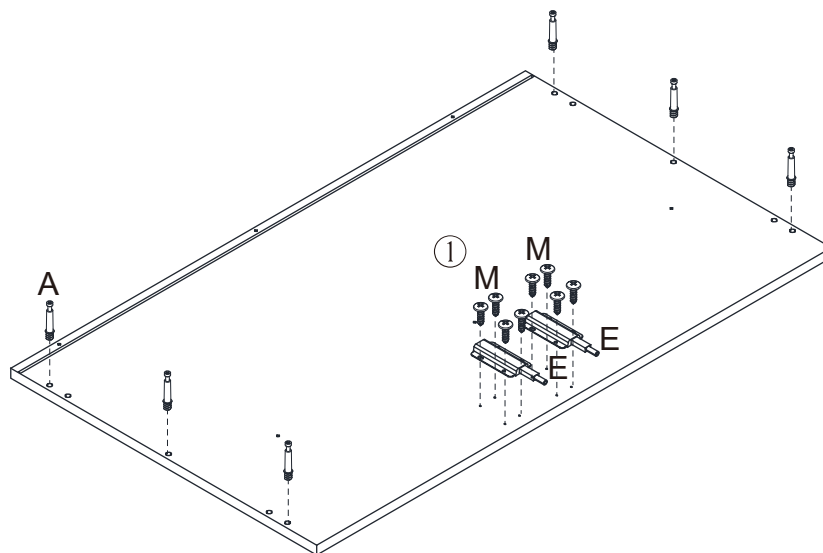
P-11-20
V-1.0

11. Assemble leg to the frame.



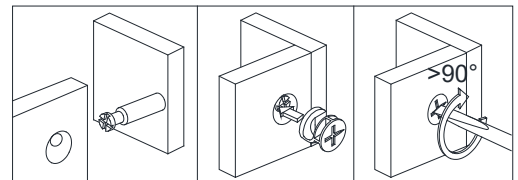
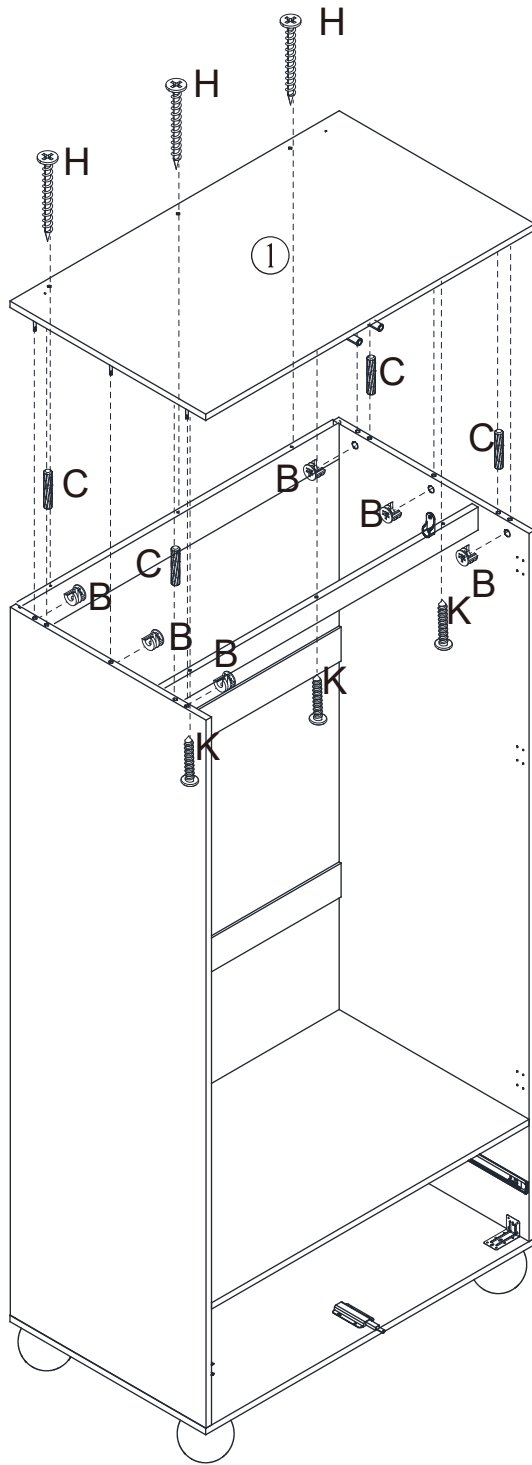
Q	
	Pad
	4pcs





12.



A		E		M	
	M6*35mm Bolt		Pusher		M4*12mm Screw
	6 pcs		2 pcs		8 pcs

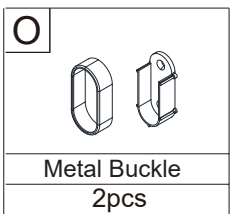
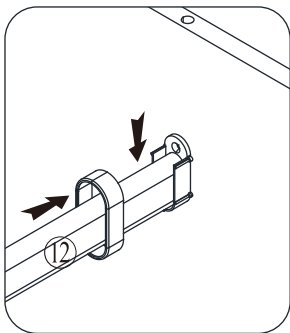
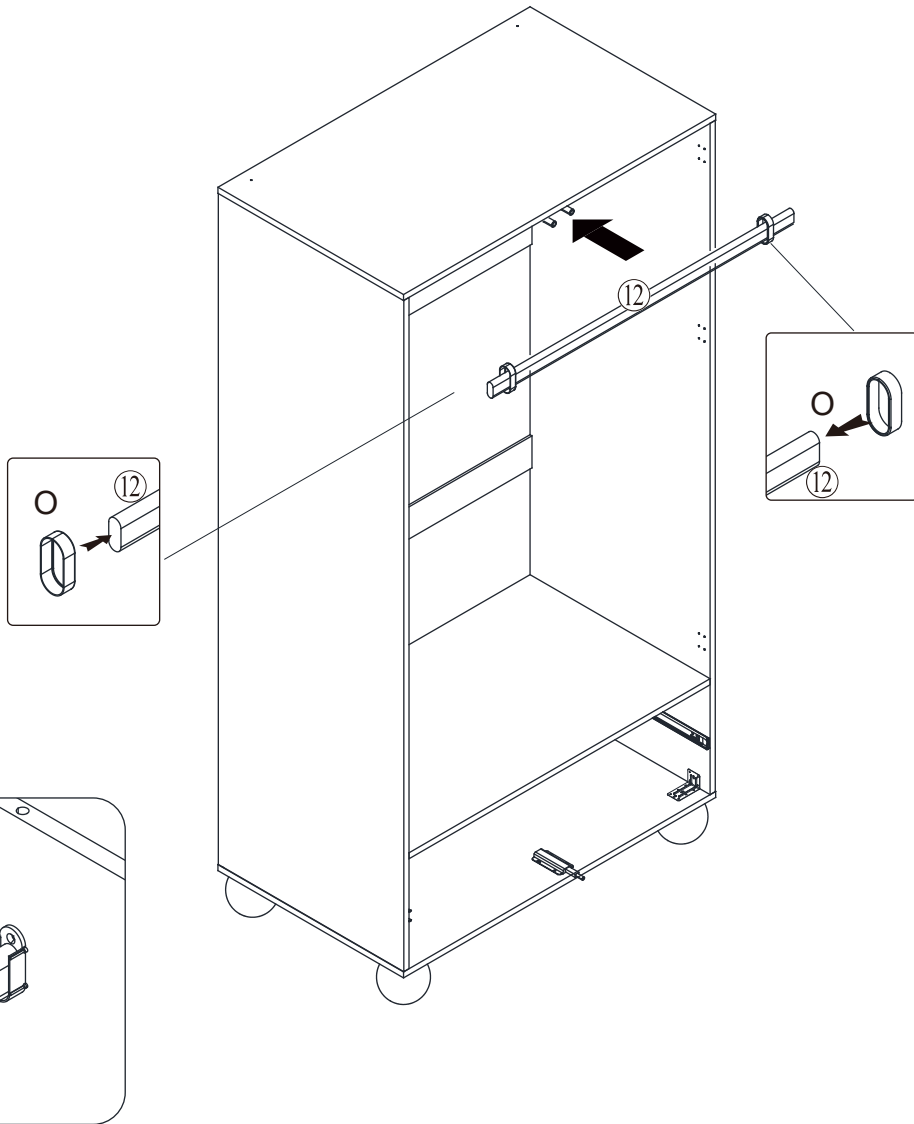
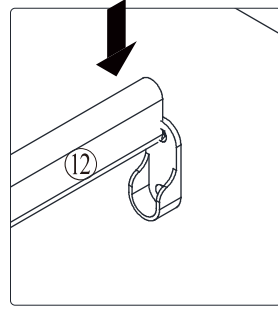
13.



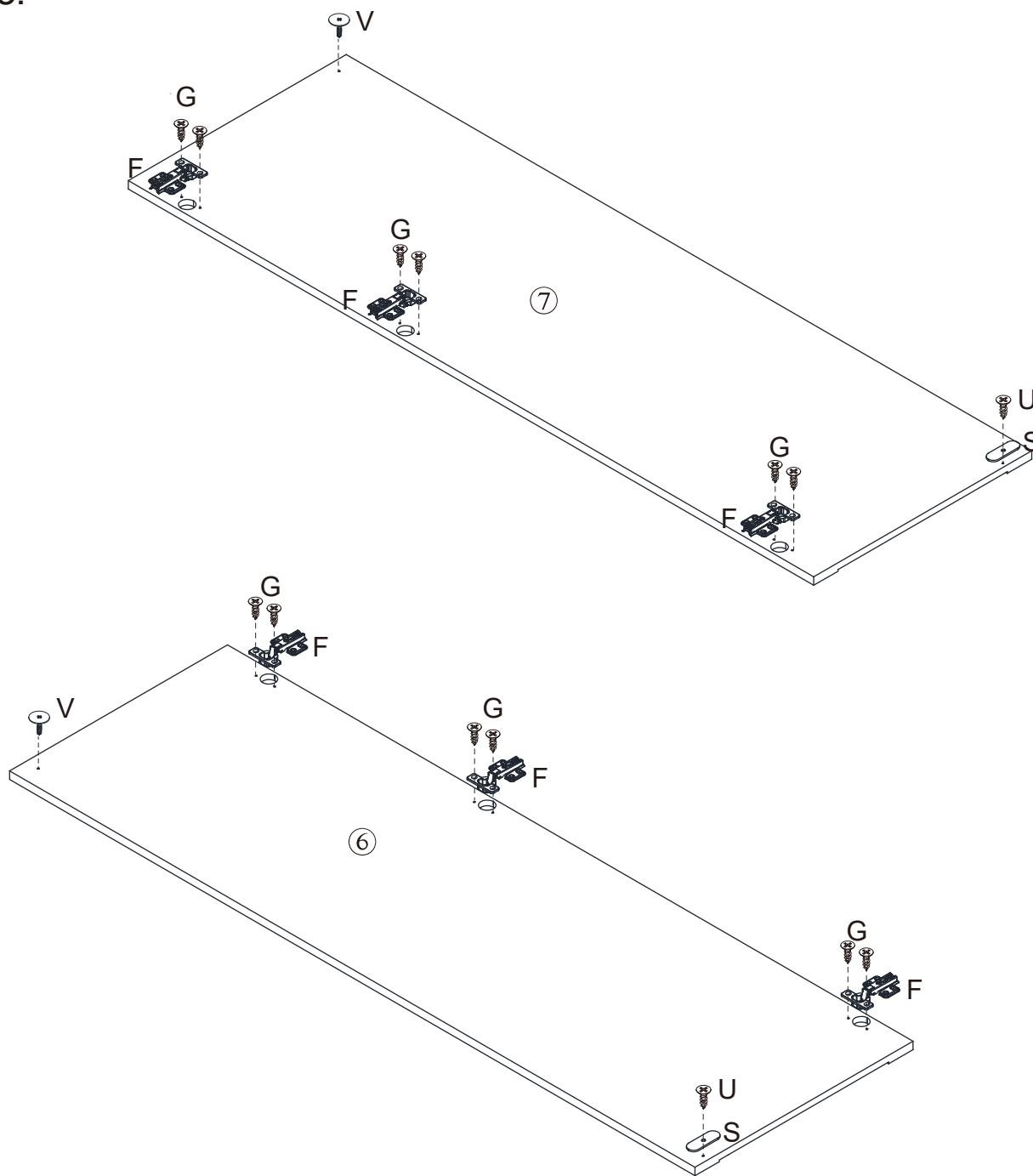
C 	B 	H 	K 
8*30mm Dowel 4pcs	15*10mm Cam Lock 6pcs	M4*35mm Screw 3pcs	M4*50mm Screw 3pcs


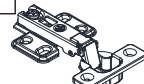



P-13-20
V-1.0

14.



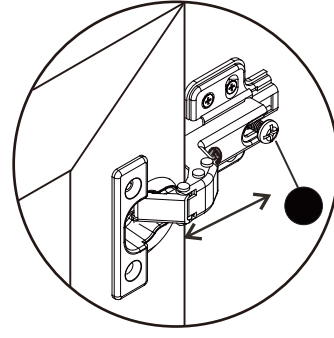
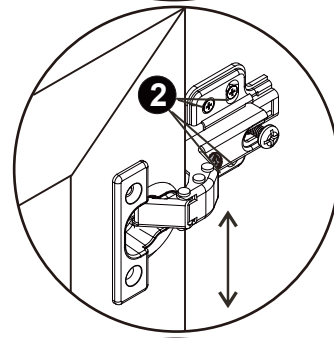
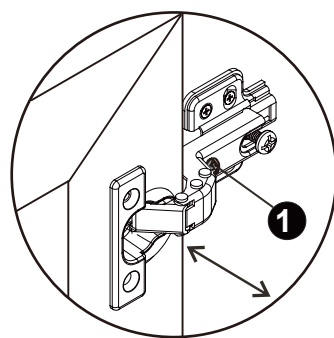
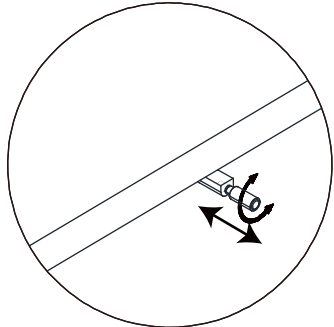
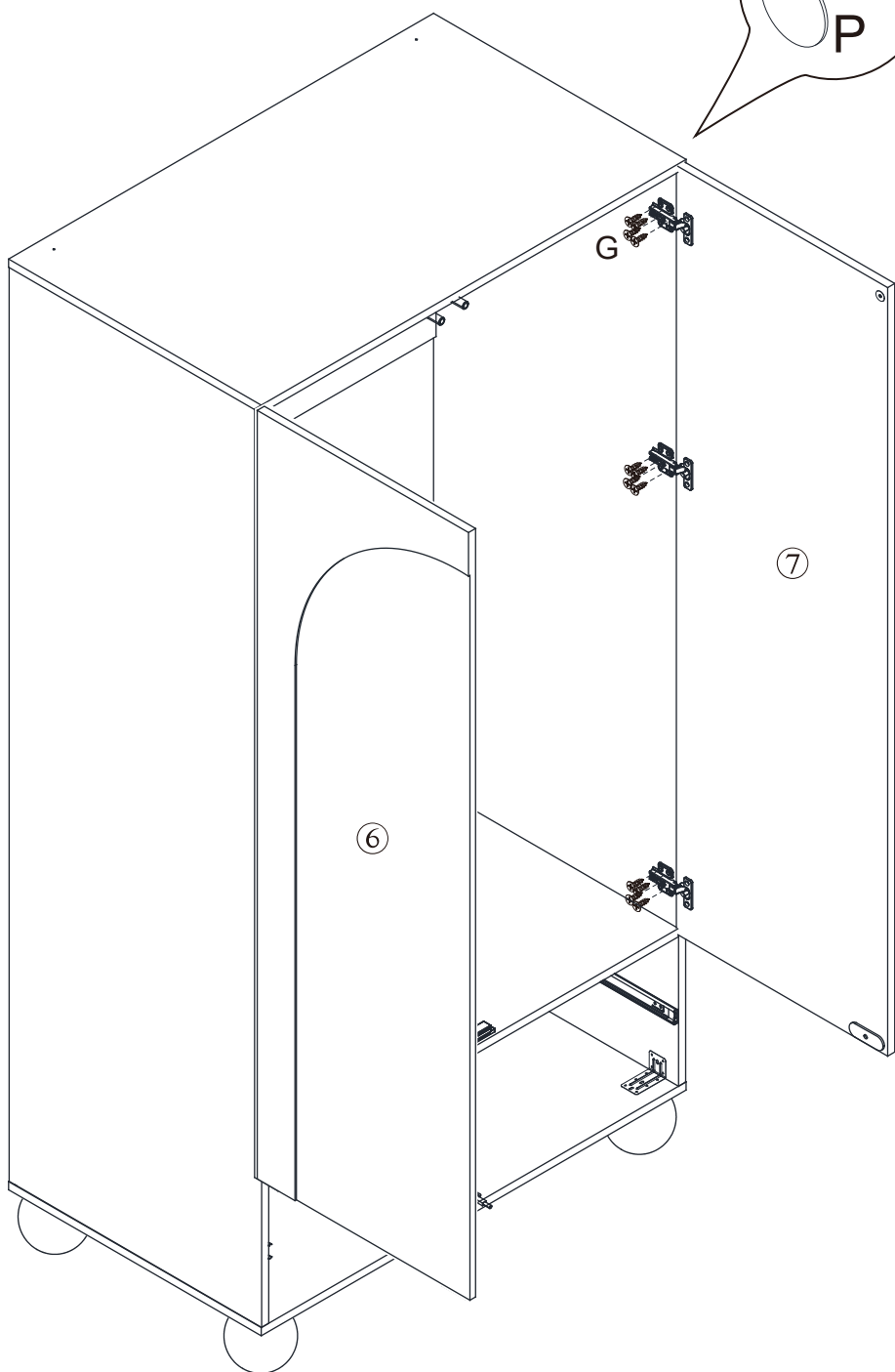
15.

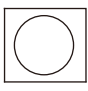



V		F		G		U		S	
M3*10mm Screw		M4*14mm Screw		M3*12mm Screw		Metal plate			
2pcs		12 pcs		2 pcs		2 pcs			

P-15-20
V-1.0

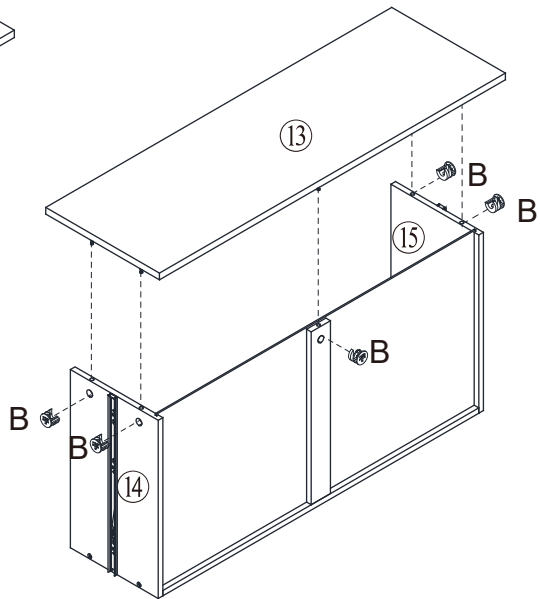
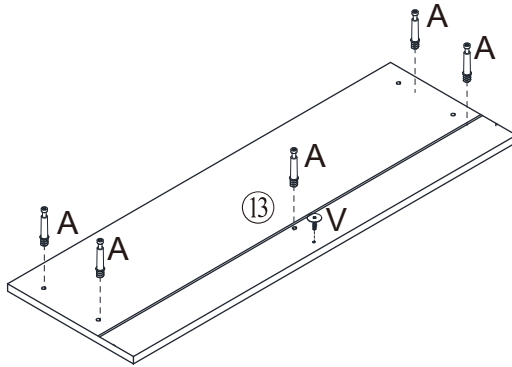
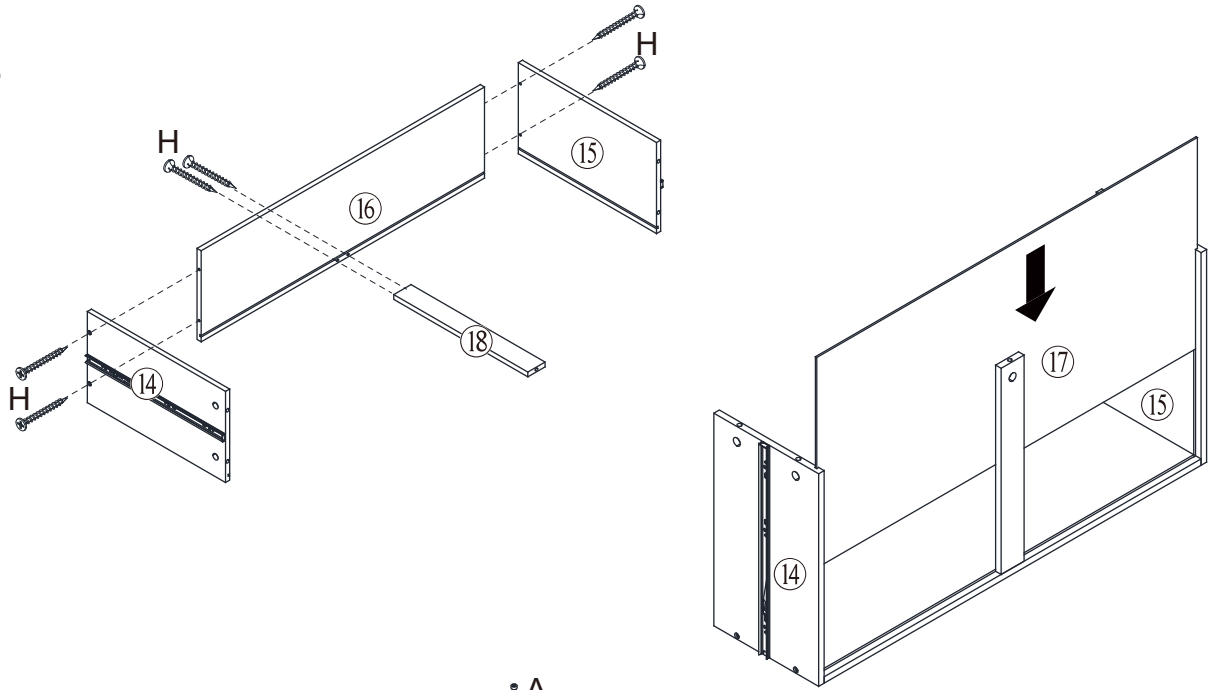
16. Assemble doors to the frame.

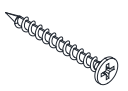

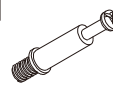



P		G	
	Cover		M4*14mm Screw
	6 pcs		24 pcs

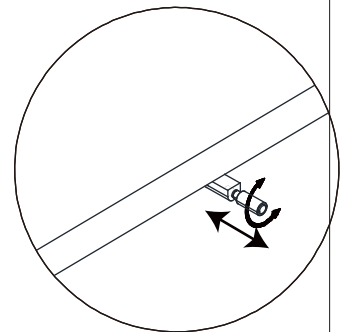
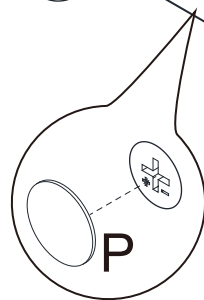
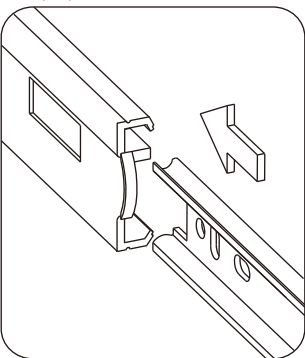
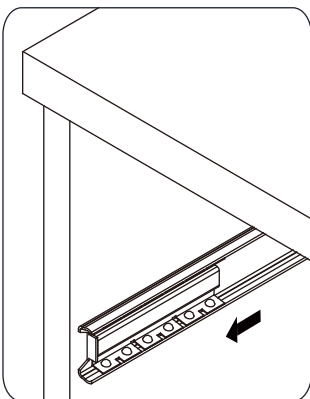
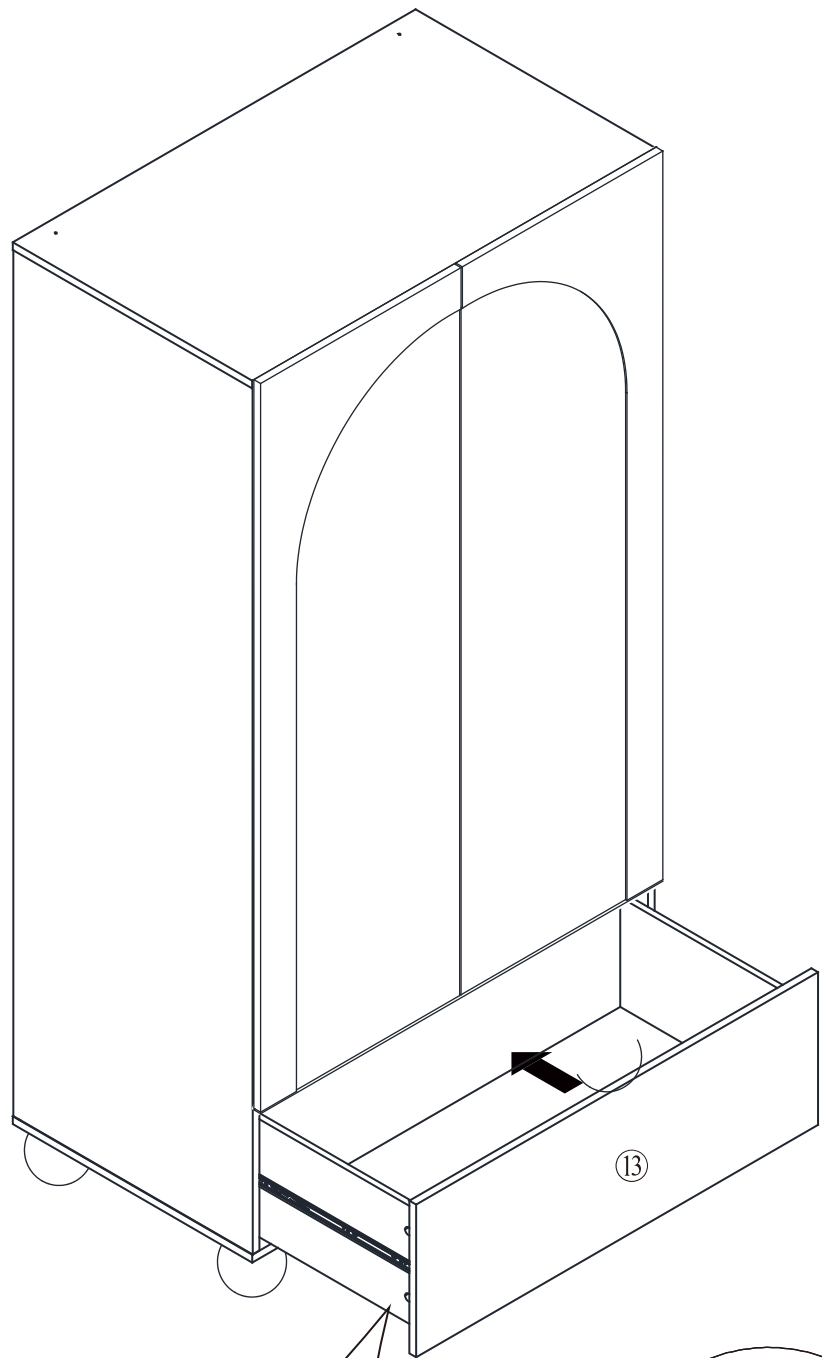
P-16-20
V-1.0

17.



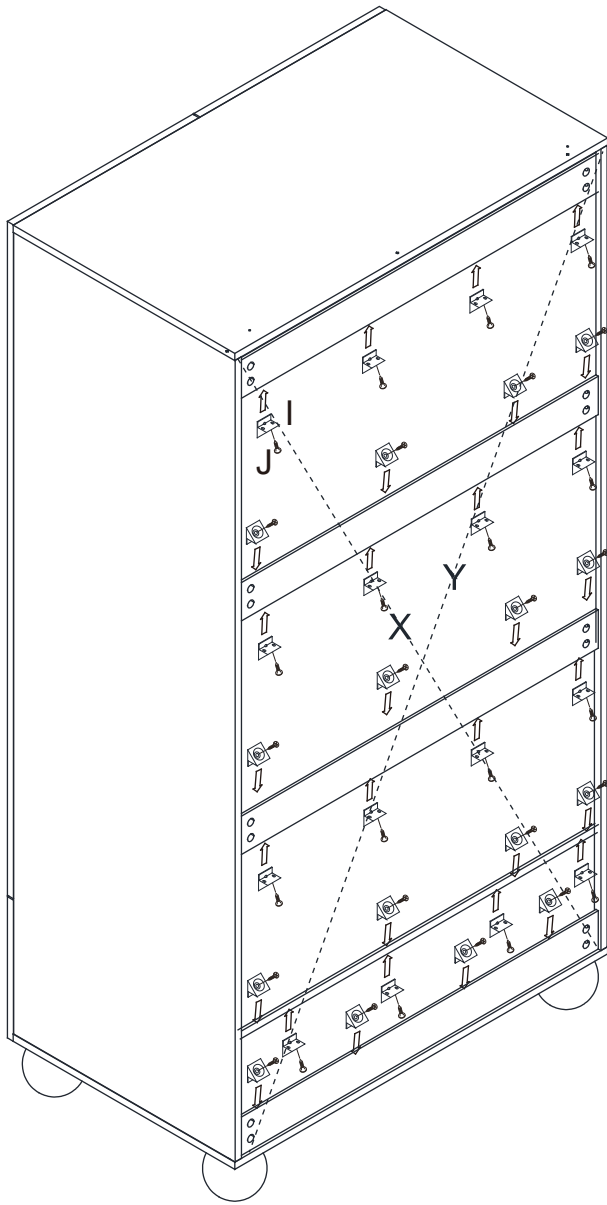
<p>H</p> 	<p>B</p> 	<p>A</p> 	<p>V</p> 
<p>M4*35mm Screw 6 pcs</p>	<p>15*10mm Cam Lock 5 pcs</p>	<p>M6*35mm Bolt 5 pcs</p>	<p>M3*10mm Screw 1 pc</p>

18.

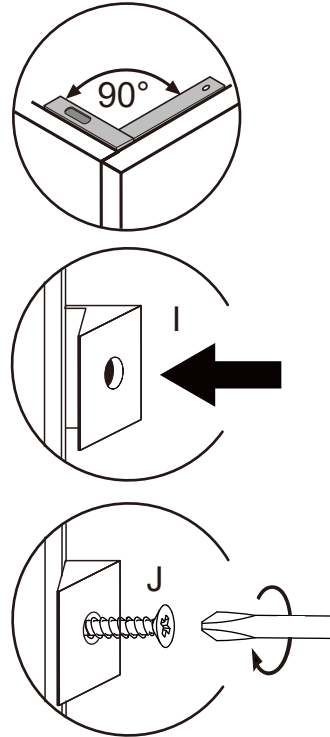




P	
Cover	
4 pcs	

19.

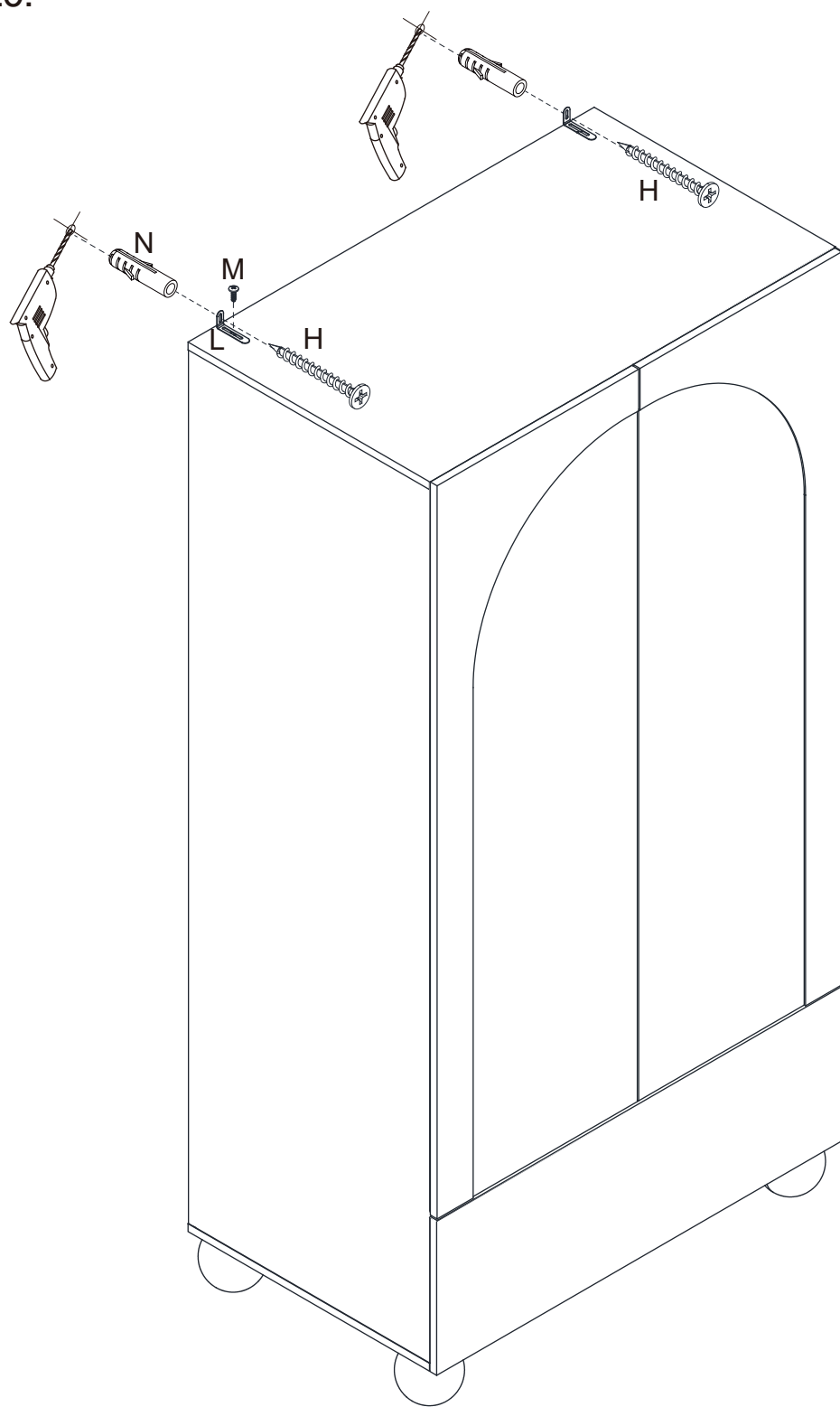


X=Y



<p>J</p> 	<p>I</p> 
<p>M3*16mm Screw 32pcs</p>	<p>Plastic Buckle 32pcs</p>

20.



- 1:
- 2:
- 3:
- 4:

H		L		M		N	
	M4*35mm Screw 2pcs		Wall Bracket 2pcs		M4*14mm Screw 2pcs		Wall Plug 2pcs