

DUSK.COM

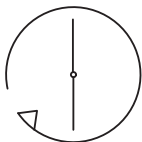
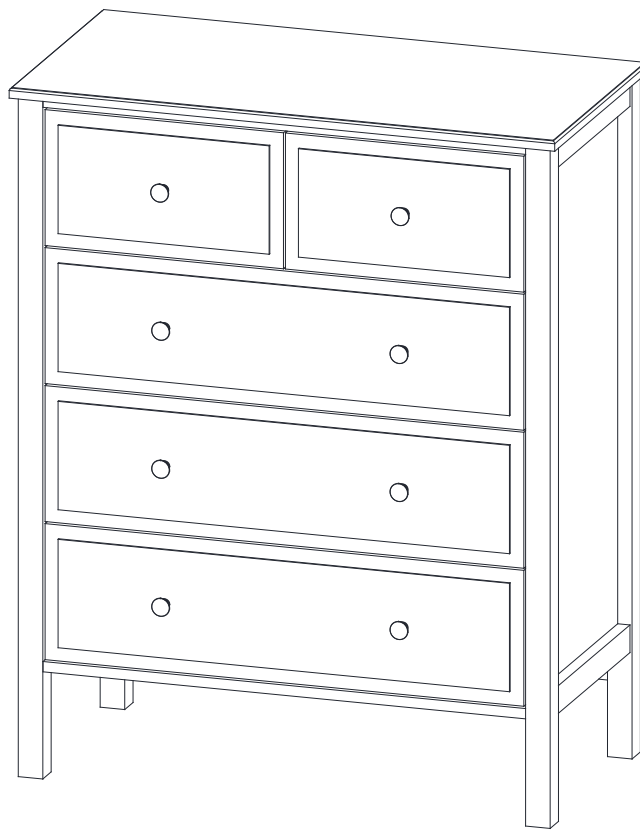
LIVING | BEDROOM | DINING

Range Name : Carolina

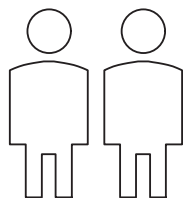
Box1 Dimension : W113xD49xH31cm

Product Dimension : W80xD40xH100cm

5 Drawer Chest



Up to 90 minutes
assembly time



Two person
assembly



Electric screwdriver
prohibited

This product is intended for domestic use only, not for commercial purposes.

P-1-14
V-2.0

IMPORTANT

ASSEMBLY TIP

Before you begin, it's best to identify all of the parts and fittings to build your Carolina 5 Drawer Chest frame. We advise laying these out on the floor to check you have everything, and to familiarise yourself with all of the parts and fittings before building.

TOP TIP

We recommend that you assemble the Carolina 5 Drawer Chest in the room you'd like it to be located. This will help prevent any risk of damage to the frame whilst moving it.

SAFETY AND CARE

It's important to ensure children and animals are kept away from the assembly area, as there are small components used in this product which could present a choking hazard. All plastic and wrapping materials should also be kept away from children and animals to prevent any risk of suffocation.

HELP AND SUPPORT

Please contact our customer service team on 0113 519 0311 if you have any questions or issues with your purchase.

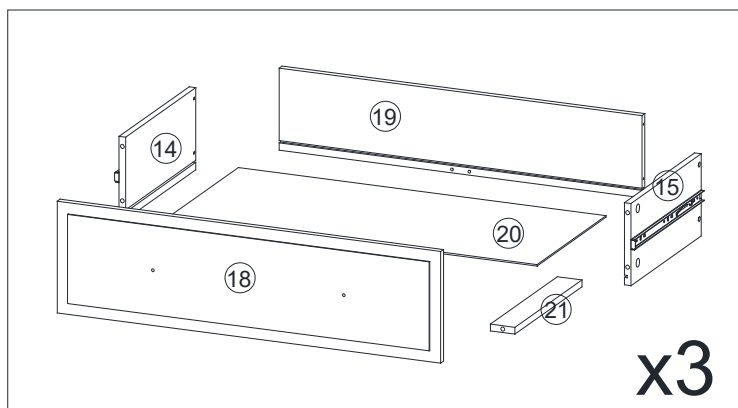
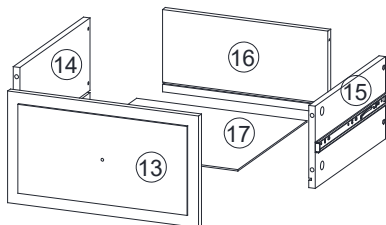
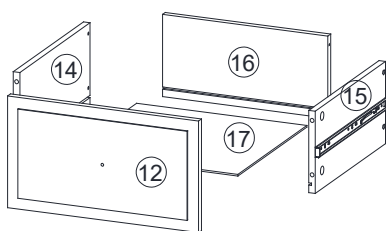
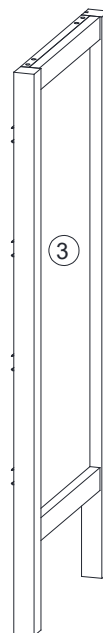
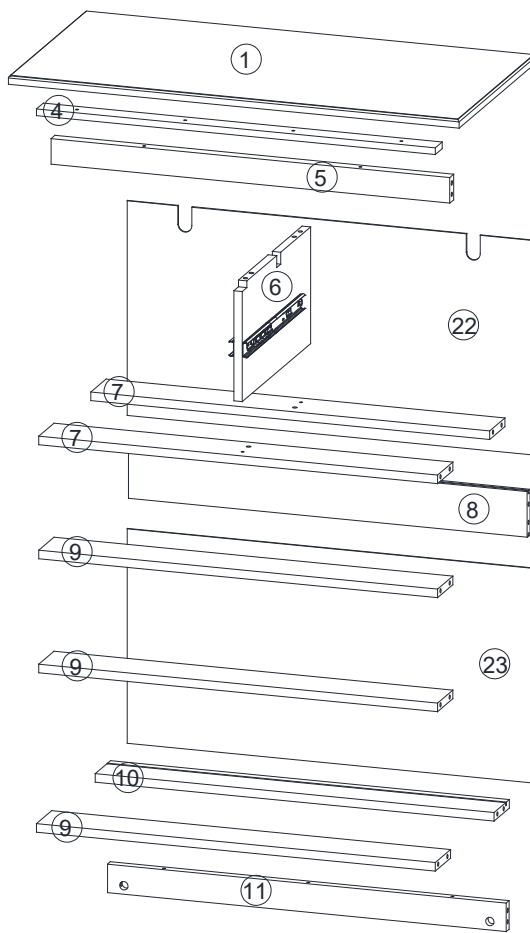
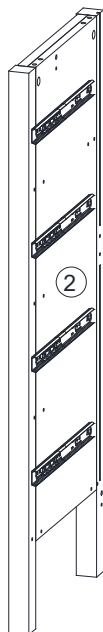
RECYCLING

Please ensure that packaging is disposed of in a safe and environmentally friendly way, and recycle where possible. Please keep your assembly instructions safe to refer back to in the future.

CARE AND MAINTENANCE:

1. Only clean using a damp cloth, do not use bleach or abrasive cleaners as they may damage the finish over time.
2. Do not use a very wet cloth or allow any liquid to contact with the veneer for a long period of time. Wipe any spillage immediately. Absorption can cause wood to warp or finishes to de-laminate.
3. Do not scrub or rub the surface when cleaning.
4. Do not drag the Carolina 5 Drawer Chest when moving, lift it off the floor instead.
5. Use a placemat or a coaster when putting hot items (e.g. hot drinks and dishes) on the wood surface.
6. It is not recommended to place the item next to sources of heat such as radiators, fires or directly exposed to sunlight. This may cause the wood to crack, split or fade due to the heat and humidity.
7. Wood will mellow and change colour over time, we recommend that ornaments and items placed on the surface to be moved regularly to prevent uneven mellowing.
8. Regularly check all fixings to ensure none have come loose. Re-tighten if necessary.
9. Avoid sharp items such as a screwdriver or any pointy tools.
10. Dispose of all packaging carefully and responsibly - recycle where possible.

Parts list



Parts list

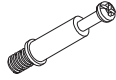



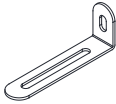
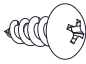



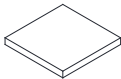





Before you begin building your Carolina 5 Drawer Chest, please take a moment to read through the instructions and make sure that you have all the relevant parts listed on the parts check list.

Part Number	Part Description	Quantity	Box No
①	Top Panel	1pc	Box 1
②	Left Side Panel With Slide	1pc	Box 1
③	Right Side Panel With Slide	1pc	Box 1
④	Centre Support	1pc	Box 1
⑤	Centre Support	1pc	Box 1
⑥	Side Panel With Slide	1pc	Box 1
⑦	Centre Support	2pcs	Box 1
⑧	Back Supportl	1pc	Box 1
⑨	Centre Support	3pcs	Box 1
⑩	Centre Support	1pc	Box 1
⑪	Centre Support	1pc	Box 1
⑫	Drawer Front	1pc	Box 1

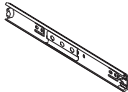
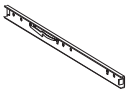

Part Number	Part Description	Quantity	Box No
⑬	Drawer Front	1pc	Box 1
⑭	Drawer Left Side With Slide	5pcs	Box 1
⑮	Drawer Right Side With Slide	5pcs	Box 1
⑯	Drawer Back Panel	2pcs	Box 1
⑰	Drawer Bottom	2pcs	Box 1
⑱	Drawer Front	1pc	Box 1
⑲	Drawer Back Panel	3pcs	Box 1
⑳	Drawer Bottom	3pcs	Box 1
㉑	Drawer Floor	3pcs	Box 1
㉒	Back Panel	1pc	Box 1
㉓	Back Panel	1pc	Box 1

Fittings

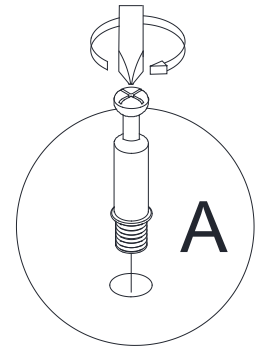
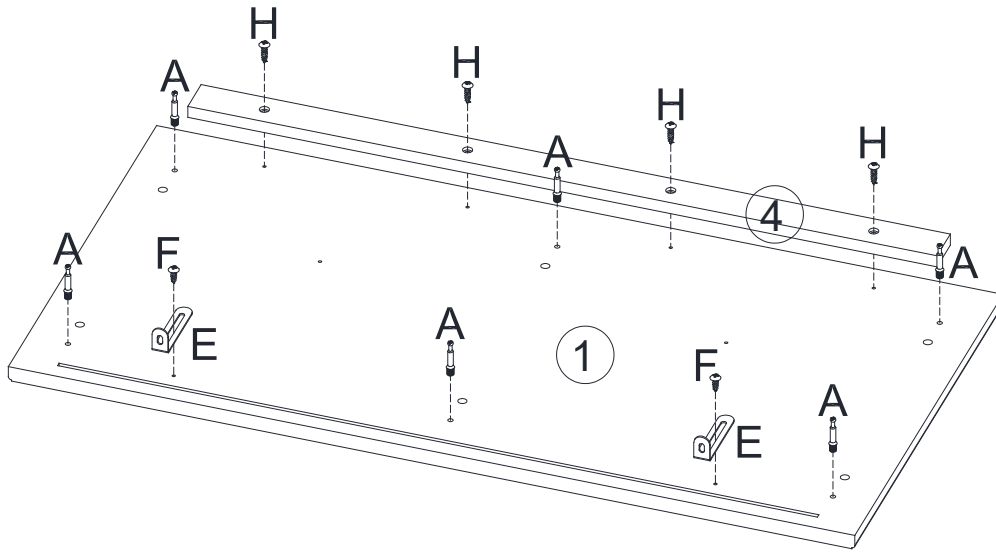
Please check you have all the fittings listed below with your product in box 1.

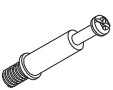



<p>A</p>  <p>M6*35mm Bolt 61 pcs+5 pcs extra</p>	<p>B</p>  <p>15*10mm Cam Lock 61 pcs+5 pcs extra</p>	<p>C</p>  <p>8*30mm Dowel 12 pcs+1 pc extra</p>	<p>D</p>  <p>M4*35mm Screw 30 pcs+3 pcs extra</p>	<p>E</p>  <p>Wall Bracket 2 pcs</p>
<p>F</p>  <p>M4*12mm Screw 2 pcs</p>	<p>G</p>  <p>Wall Plug 2 pcs</p>	<p>H</p>  <p>M4*20mm Screw 4 pcs</p>	<p>I</p>  <p>M3*16mm Screw 8 pcs+1 pc extra</p>	<p>J</p>  <p>Pad 4 pcs</p>
<p>K</p>  <p>M4*50mm Screw 5 pcs</p>	<p>L</p>  <p>Plastic Buckle 8 pcs+1 pc extra</p>	<p>M</p>  <p>Handle 8 pcs</p>	<p>N</p>  <p>M4*18mm Screw 8 pcs+1 pc extra</p>	<p>O</p>  <p>Cover 20 pcs+2 pcs extra</p>

Pre-assembled Fittings

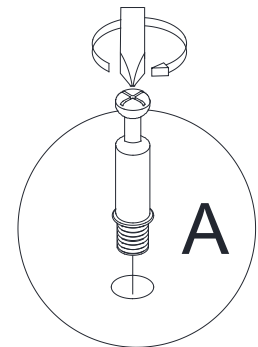
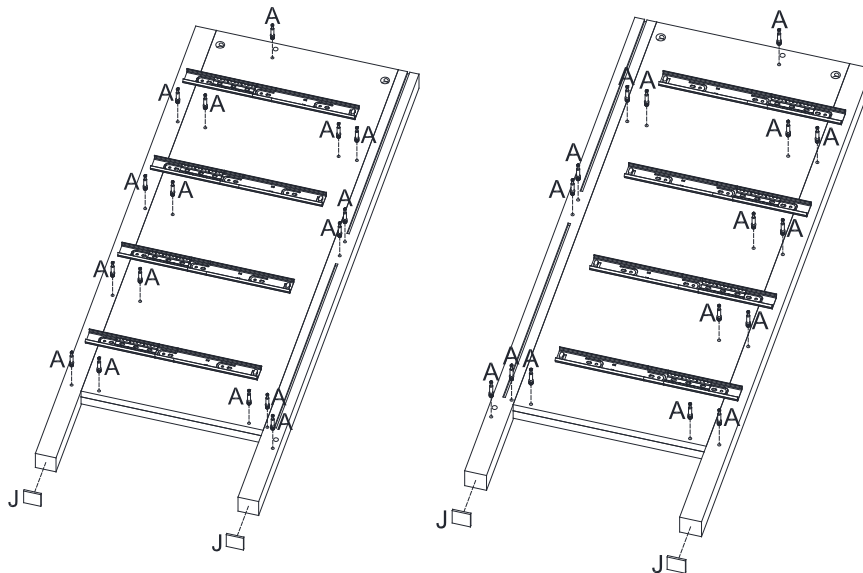
<p>P-1</p>  <p>Slide 10 pcs</p>	<p>P-2</p>  <p>Slide 10 pcs</p>	<p>Q</p>  <p>M3*12mm Screw 60 pcs</p>
---	---	---

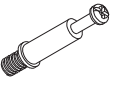
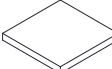
1. Attach parts to the boards.



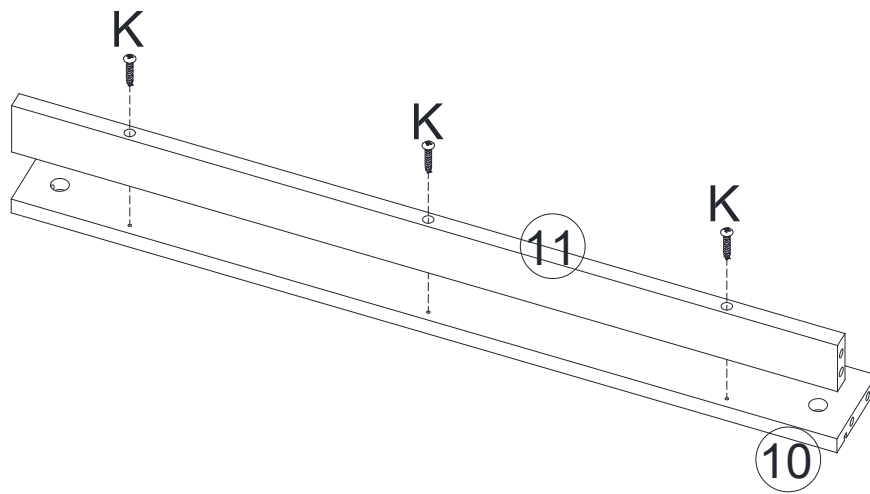
			
M6*35mm Bolt 6pcs	Wall Bracket 2pcs	M4*12mm Screw 2pcs	M4*20mm Screw 4pcs


2. Attach parts to the boards.



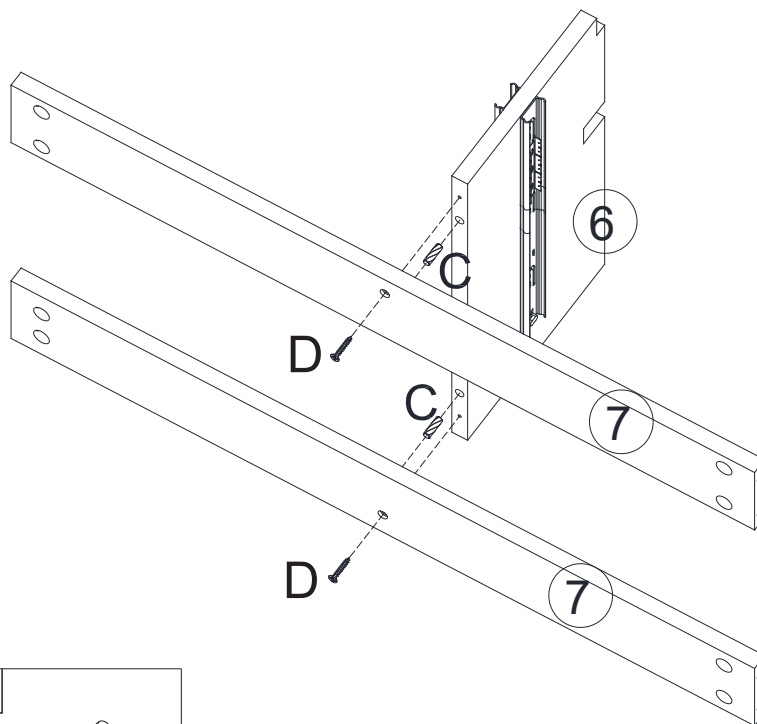
	
M6*35mm Bolt 32pcs	Pad 4pcs



3. Attach parts to the boards.



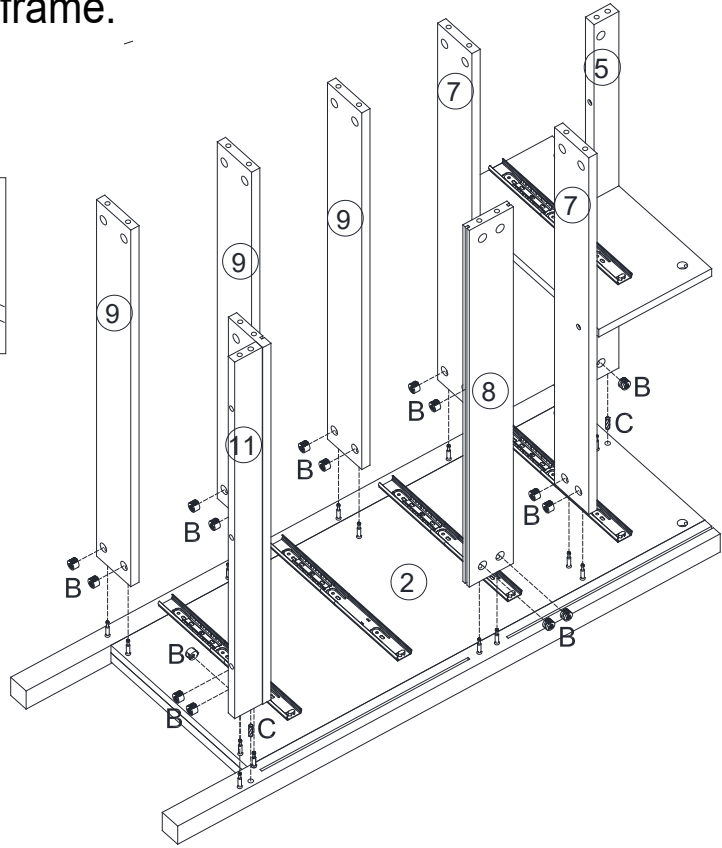
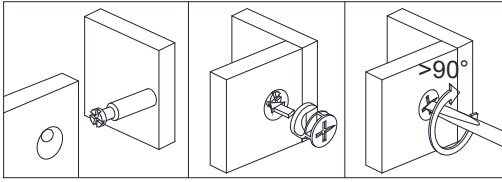
K

M4*50mm Screw
3pcs



4.



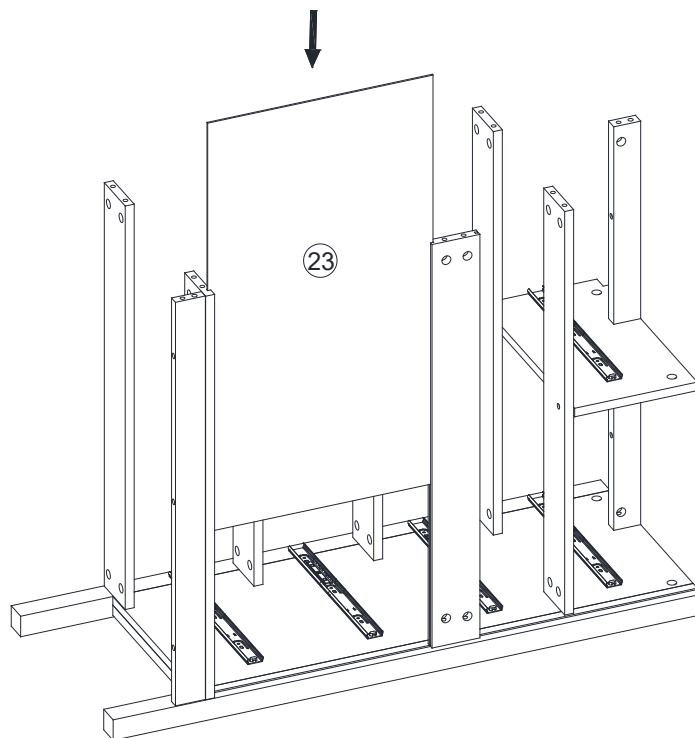
C	D
	
8*30mm Dowel	M4*35mm Screw
2pcs	2pcs

5. Assemble boards to the frame.

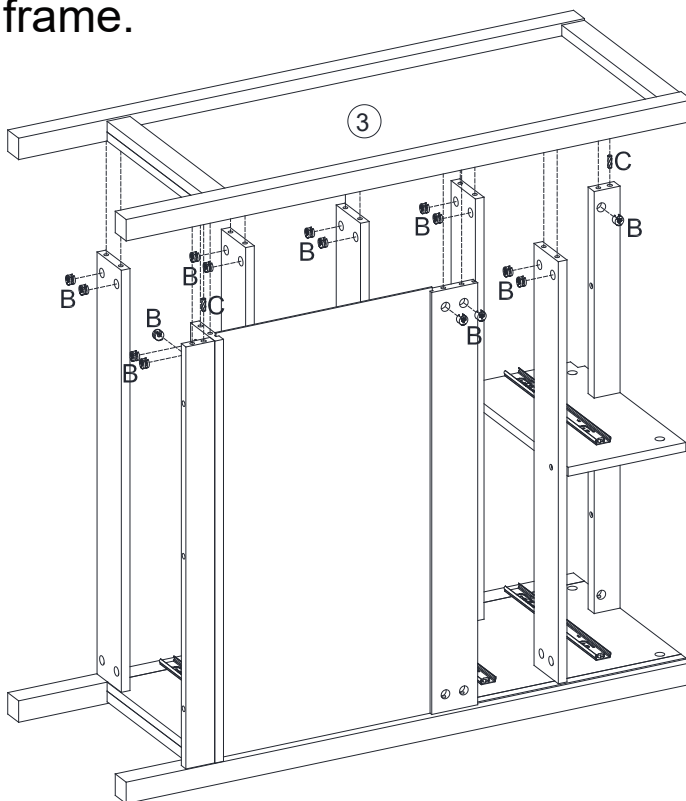
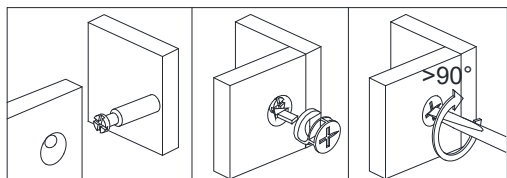



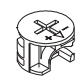
C 	B 
8*30mm Dowel 2pcs	15*10mm Cam Lock 16pcs

6.

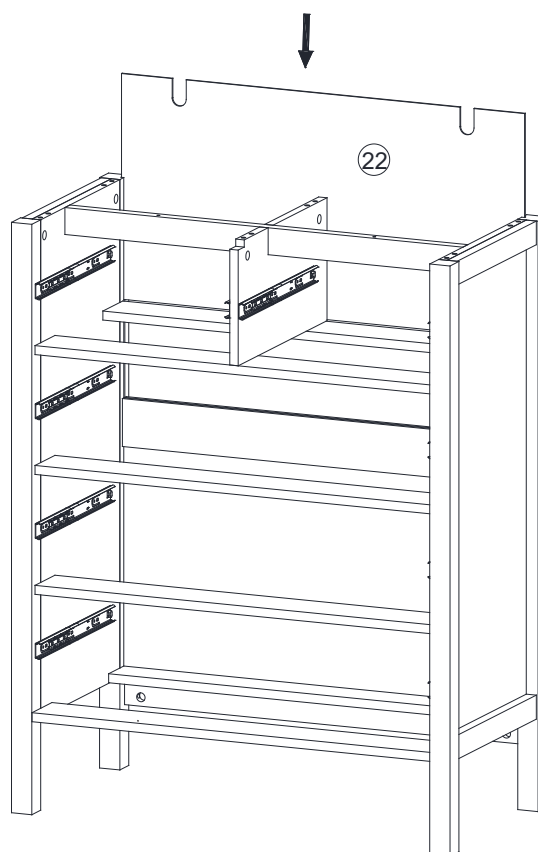


7. Assemble boards to the frame.

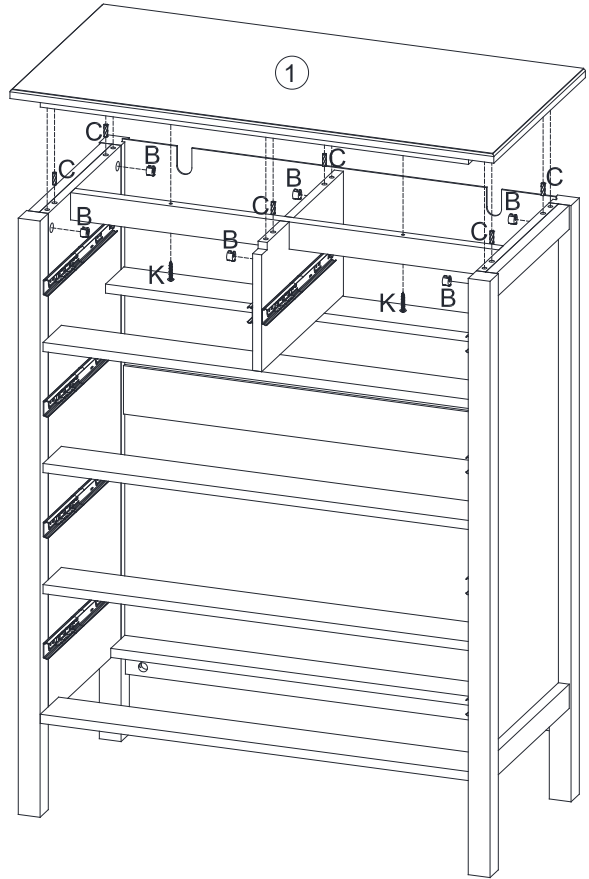
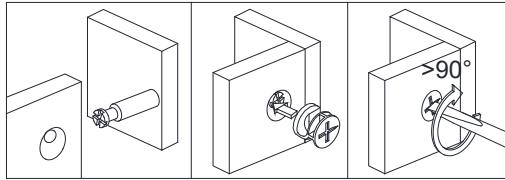





<p>C</p> 	<p>B</p> 
<p>8*30mm Dowel 2pcs</p>	<p>15*10mm Cam Lock 16pcs</p>

8.

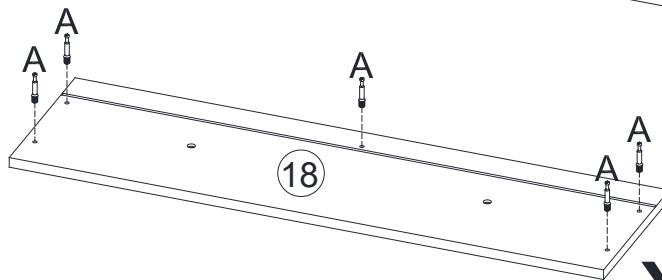
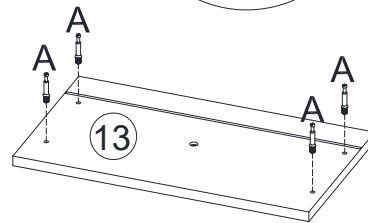
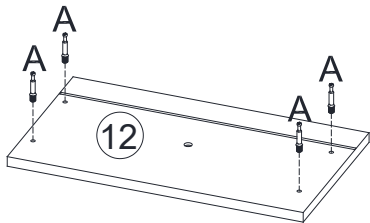
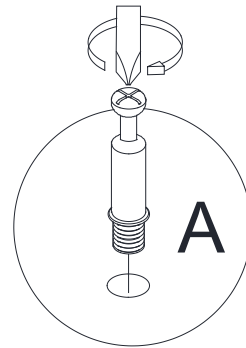


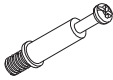
9.



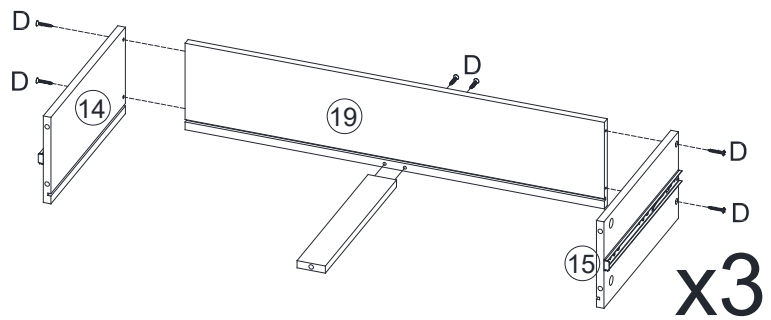
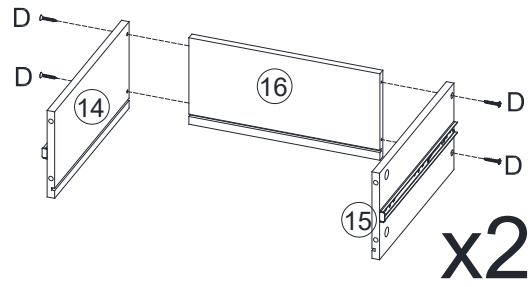
C	B	K
		
8*30mm Dowel 6pcs	15*10mm Cam Lock 6pcs	M4*50mm Screw 2pcs

10.



A

M6*35mm Bolt 23pcs

11.

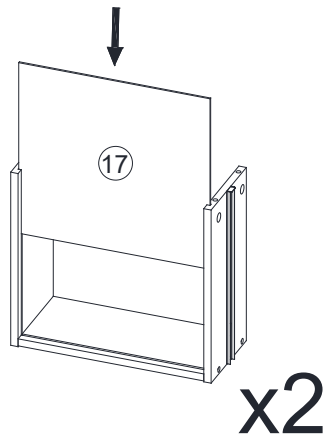
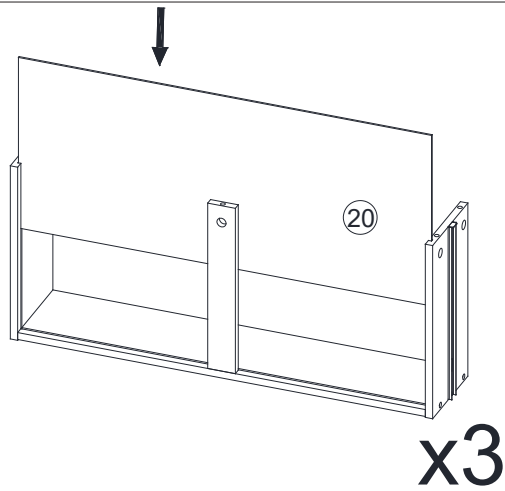


D

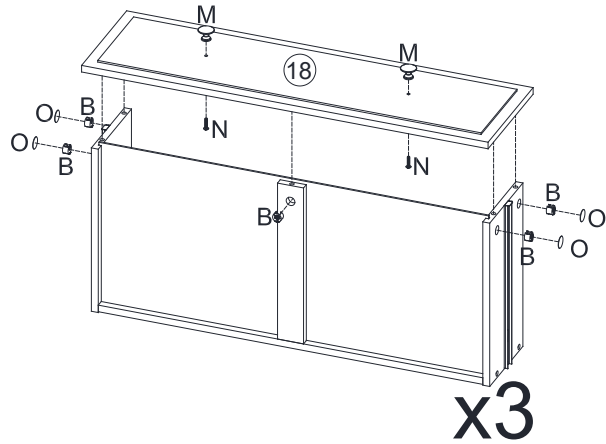
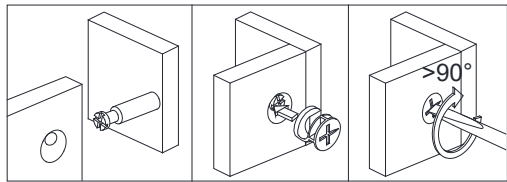
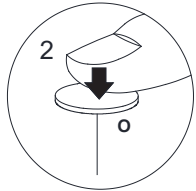
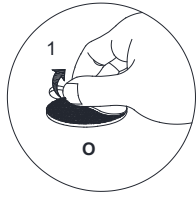


M4*35mm Screw
26pcs

12.

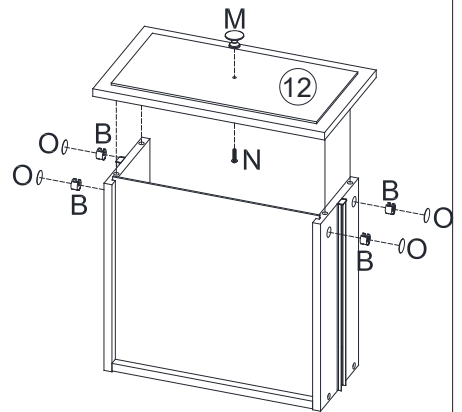
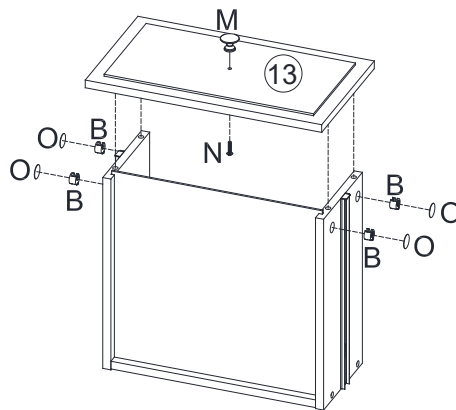
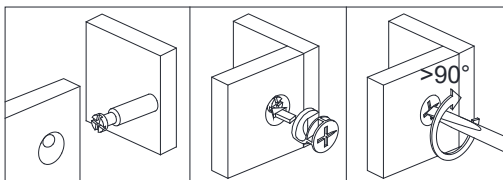
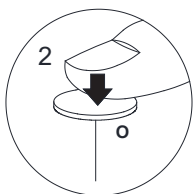


13.



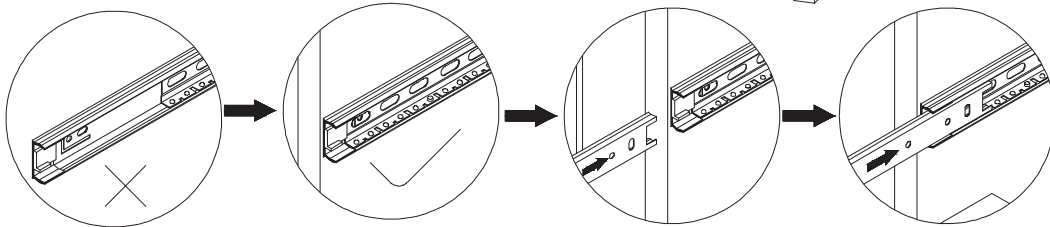
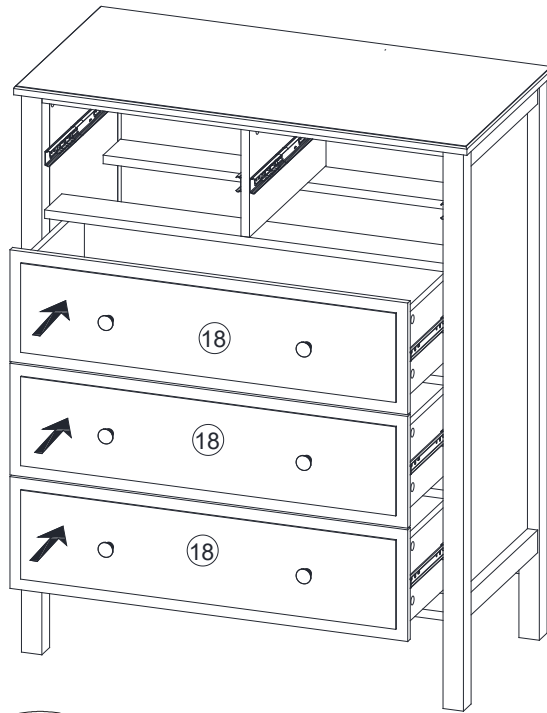
B	M	N	O
15*10mm Cam Lock 15pcs	Handle 6pcs	M4*18mm Screw 6pcs	Cover 12pcs

14.



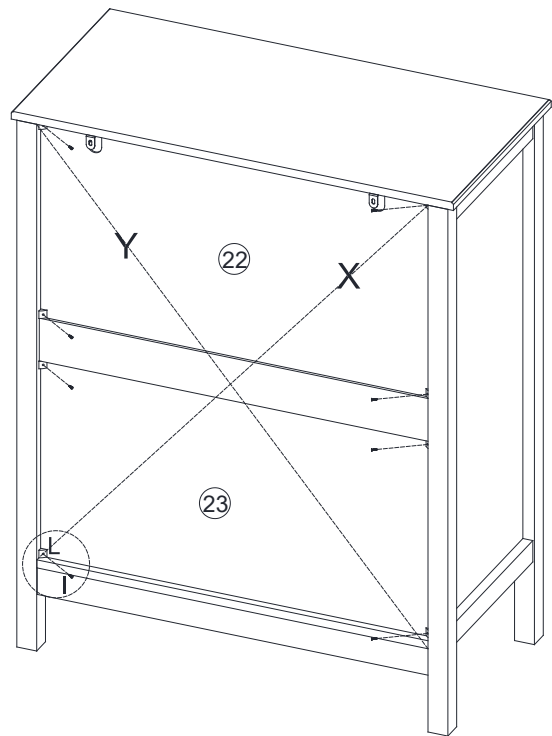
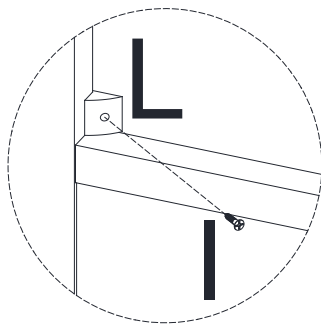
B	M	N	O
15*10mm Cam Lock 8pcs	Handle 2pcs	M4*18mm Screw 2pcs	Cover 8 pcs

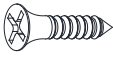

15.



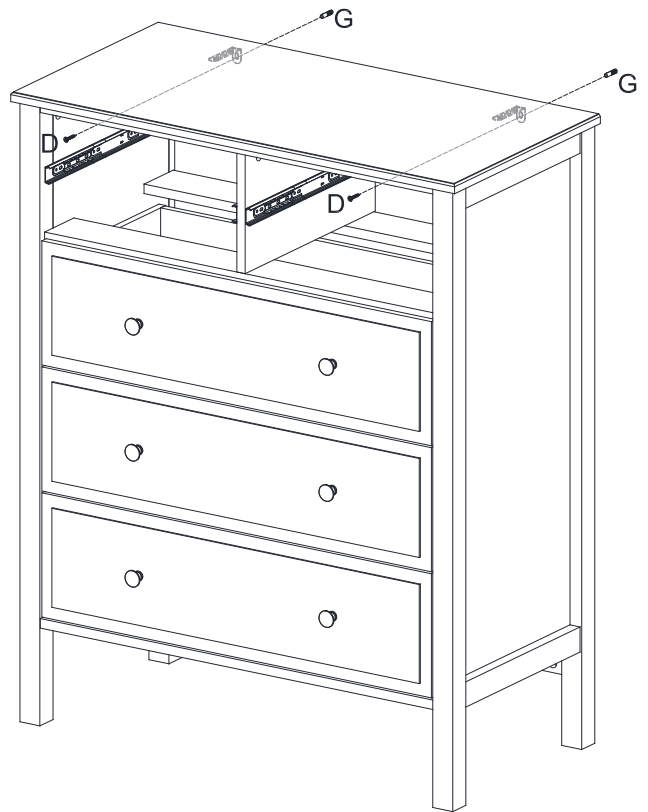
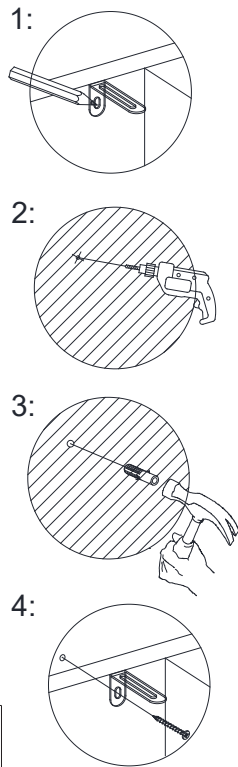
16.



X=Y



<p>I</p> 	<p>L</p> 
<p>M3*16mm Screw 8pcs</p>	<p>Plastic Buckle 8pcs</p>

17.



D	G
	
M4*35mm Screw 2pcs	Wall Plug 2pcs

18.

