

DUSK.COM

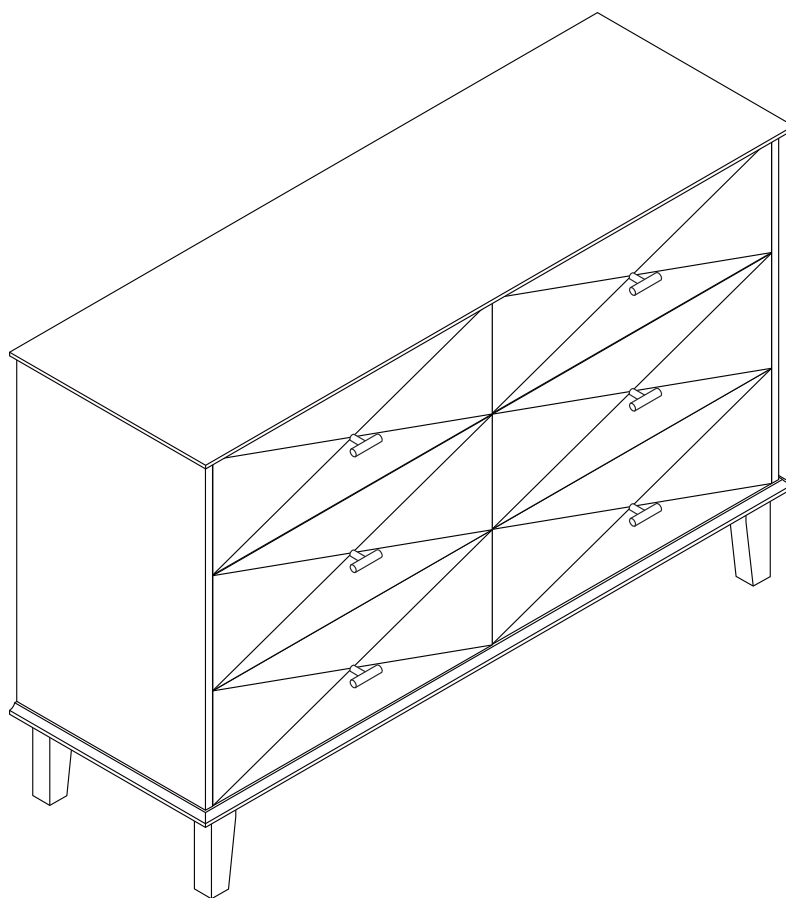
LIVING | BEDROOM | DINING

Range Name: Brianna

Box Dimensions: W135xD50.5xH28 (cm)

Product Dimensions: W120xD40xH79 (cm)

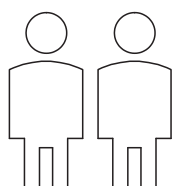
6 Drawer Chest



THIS INSTRUCTION BOOKLET CONTAINS IMPORTANT SAFETY INFORMATION.
PLEASE READ AND KEEP FOR FUTURE REFERENCE.



Up to 90 minutes
assembly time



Two person
assembly



Electric screwdriver
prohibited

This product is intended for domestic use only, not for commercial purposes.

V-1.0
P-1/12

IMPORTANT

ASSEMBLY TIP

Before you begin, it's best to identify all of the parts and fittings to build your 6 Drawer Chest frame. We advise laying these out on the floor to check you have everything, and to familiarise yourself with all of the parts and fittings before building.

TOP TIP

We recommend that you assemble the bedside in the room you'd like it to be located. This will help prevent any risk of damage to the frame whilst moving it.

SAFETY AND CARE

1. It's important to ensure children and animals are kept away from the assembly area, as there are small components used in this product which could present a choking hazard. All plastic and wrapping materials should also be kept away from children and animals to prevent any risk of suffocation.
2. Do not stand on your product.
3. Always use the item on firm level ground, ensuring all legs remain in contact with the ground.
4. Place heaviest items in the lowest drawers.
5. Do not set TV or other heavy objects on top of the product.
6. Children should always be under supervision whilst using this product. Never allow children to climb on the drawers.
7. Never keep more than one drawer open at the same time.
8. In order to prevent overturning, this product must be used with the wall attachment device provided.
9. Serious or fatal crushing injuries can occur from tipping furniture.

HELP AND SUPPORT

Please contact our customer service team on 0113 519 0311 if you have any questions or issues with your purchase.

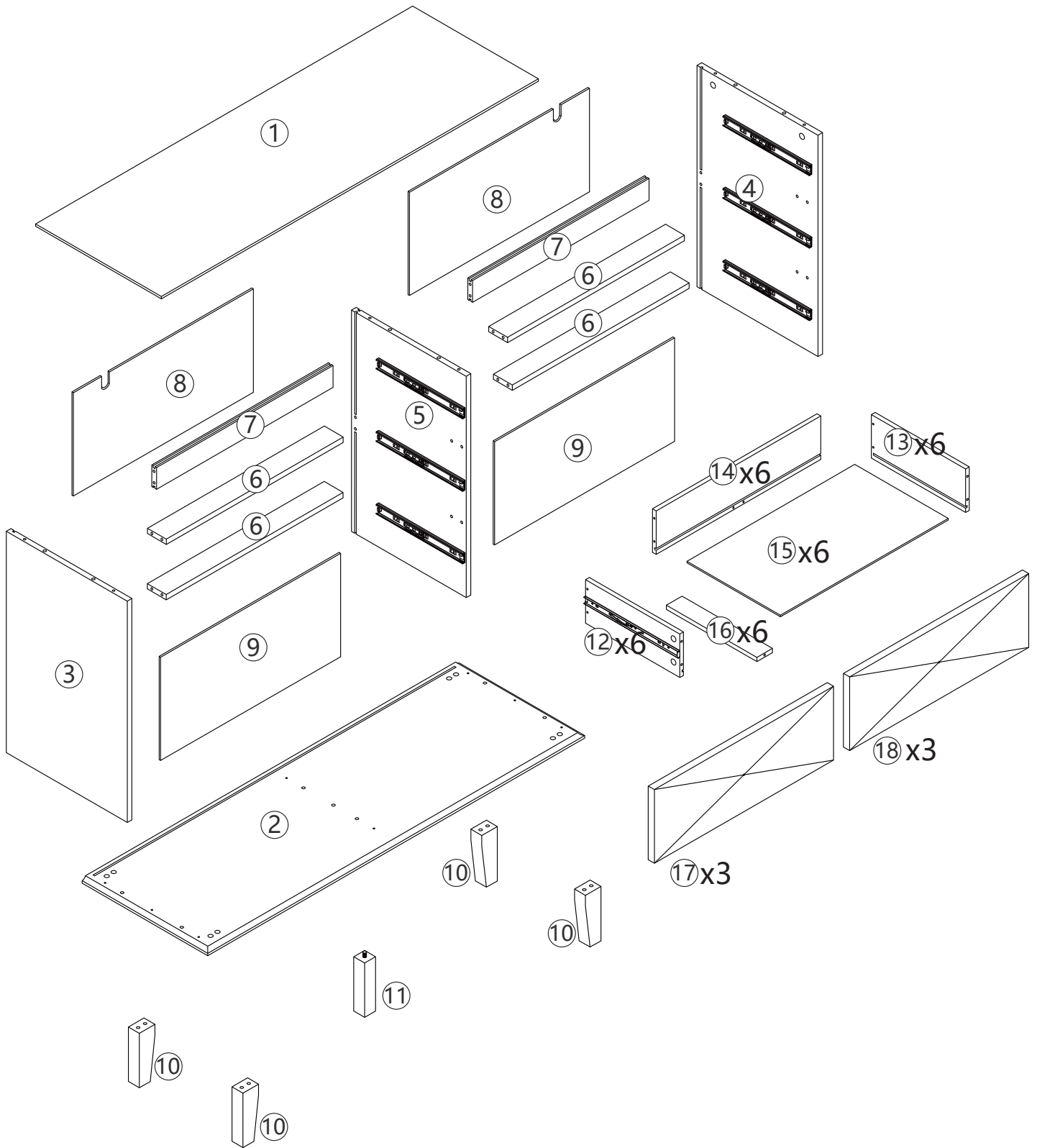
RECYCLING

Please ensure that packaging is disposed of in a safe and environmentally friendly way, and recycle where possible. Please keep your assembly instructions safe to refer back to in the future.

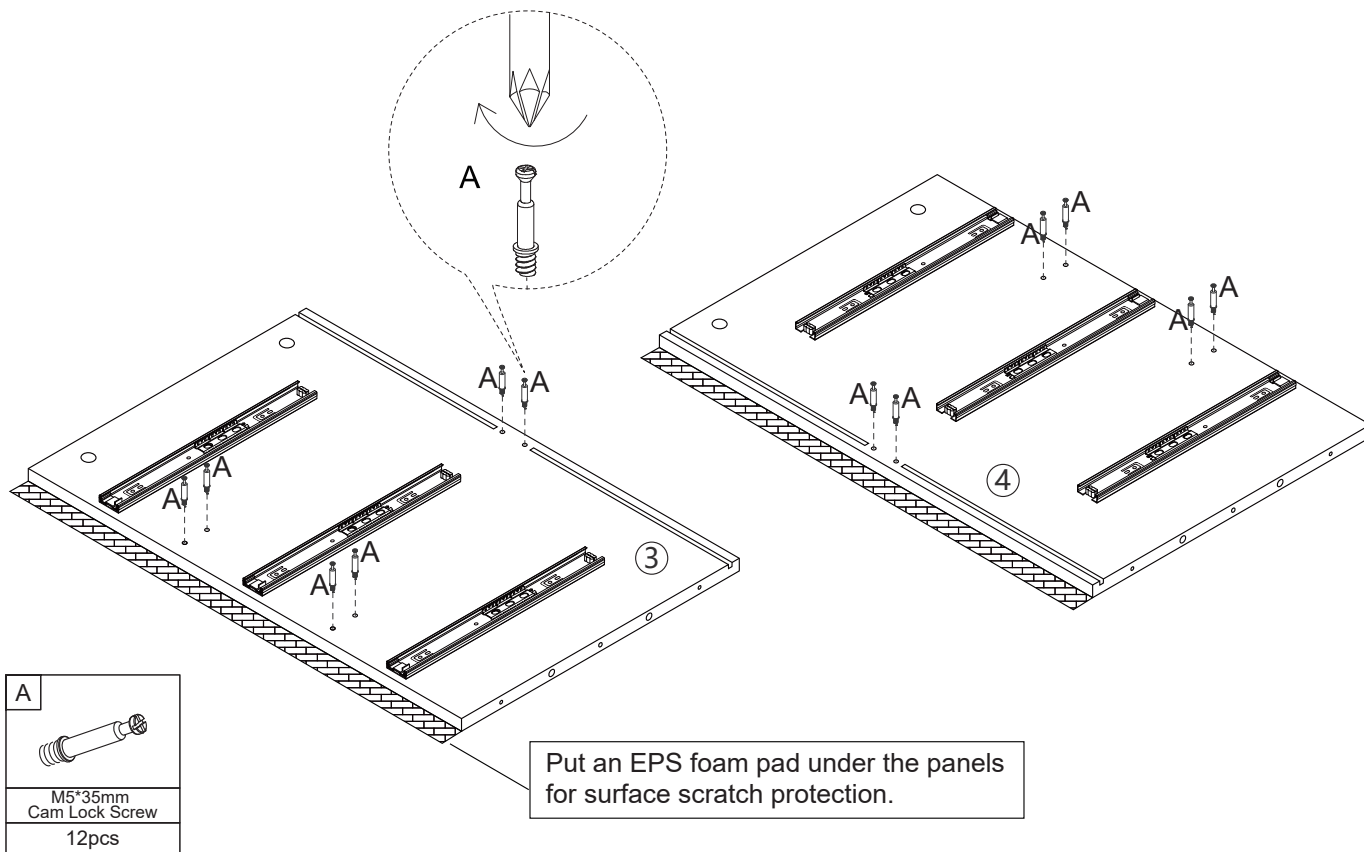
CARE AND MAINTENANCE

1. Only clean using a damp cloth, do not use bleach or abrasive cleaners as they may damage the finish over time.
2. Do not use a very wet cloth or allow any liquid to contact with the surface for a long period of time. Wipe any spillage immediately. Absorption can cause wood to warp or finishes to de-laminate.
3. Do not scrub or rub the surface when cleaning.
4. Do not drag the 6 Drawer Chest when moving, lift it off the floor instead.
5. Use a placemat or a coaster when putting hot items (e.g. hot drinks and dishes) on the wood surface.
6. It is not recommended to place the item next to sources of heat such as radiators, fires or directly exposed to sunlight. This may cause the wood to crack, split or fade due to the heat and humidity.
7. Wood will mellow and change colour over time, we recommend that ornaments and items placed on the surface to be moved regularly to prevent uneven mellowing.
8. Regularly check all fixings to ensure none have come loose. Re-tighten if necessary.
9. Avoid sharp items such as a screwdriver or any pointy tools.

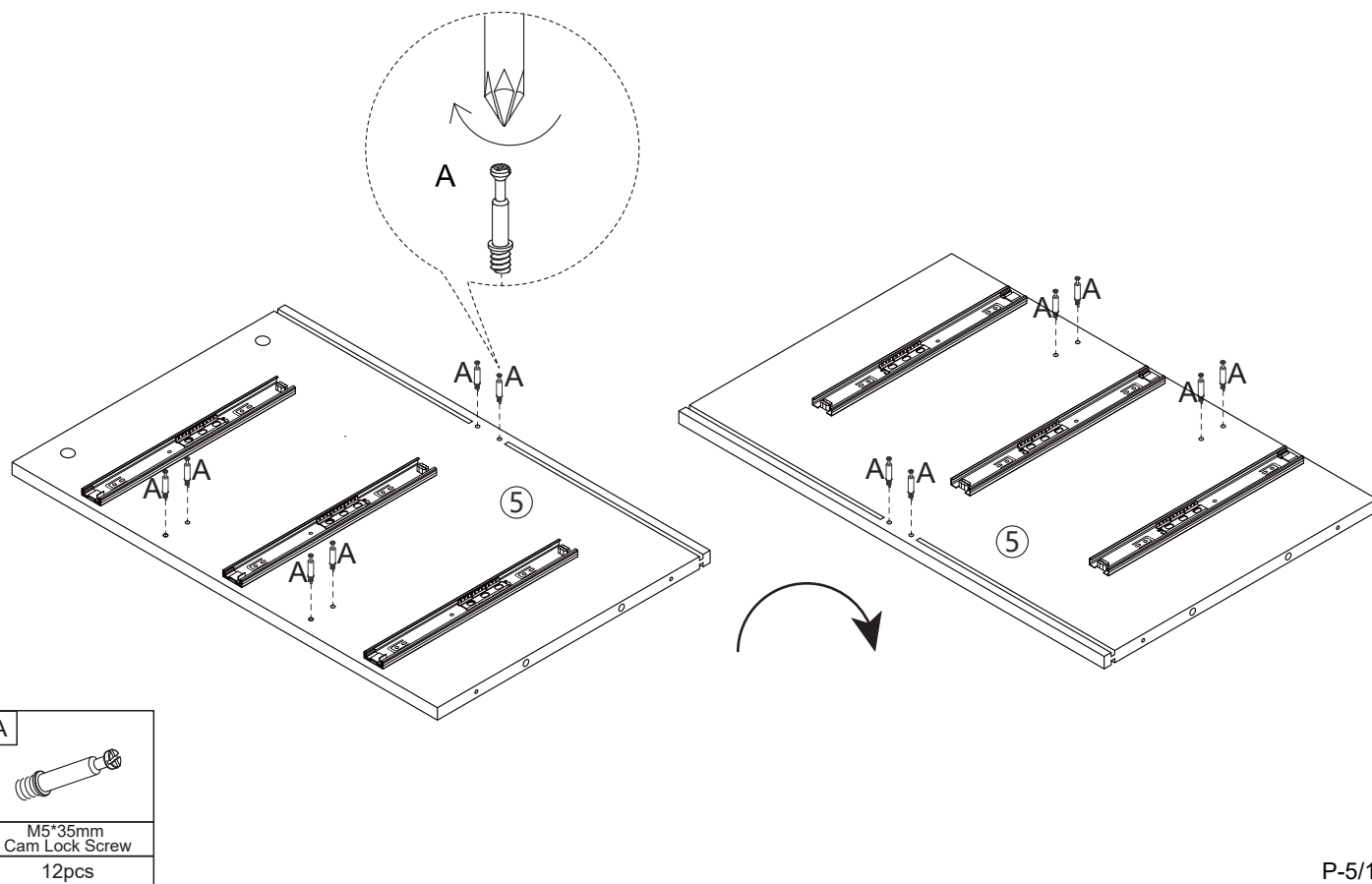
Parts list



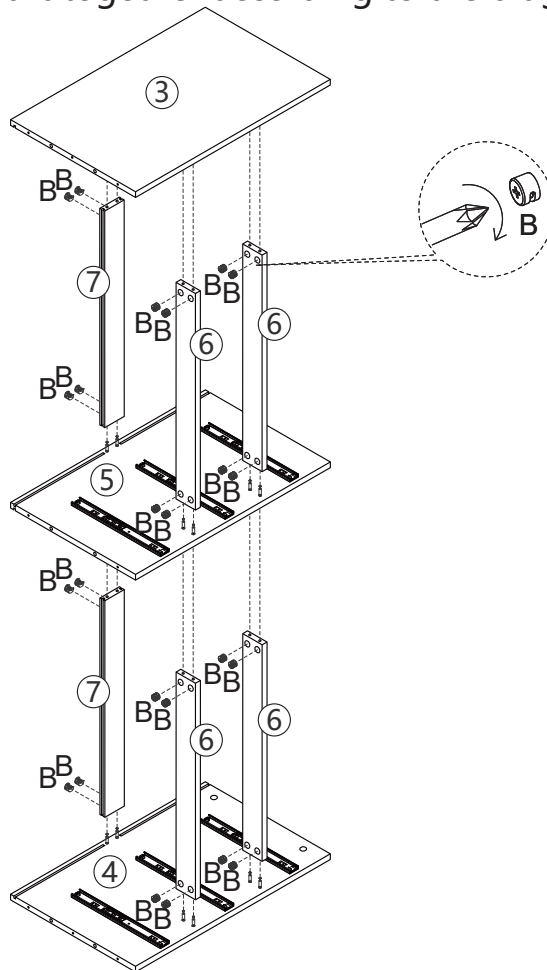
1. Attach parts to the side panel.




2. Attach parts to the middle panel.

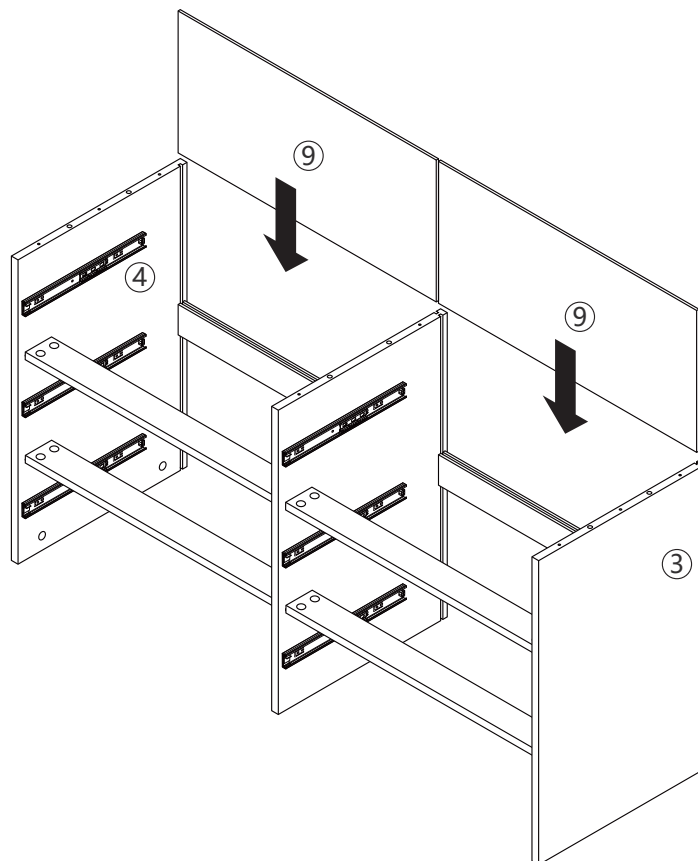


3. Assemble the panels of each part together according to the diagram.

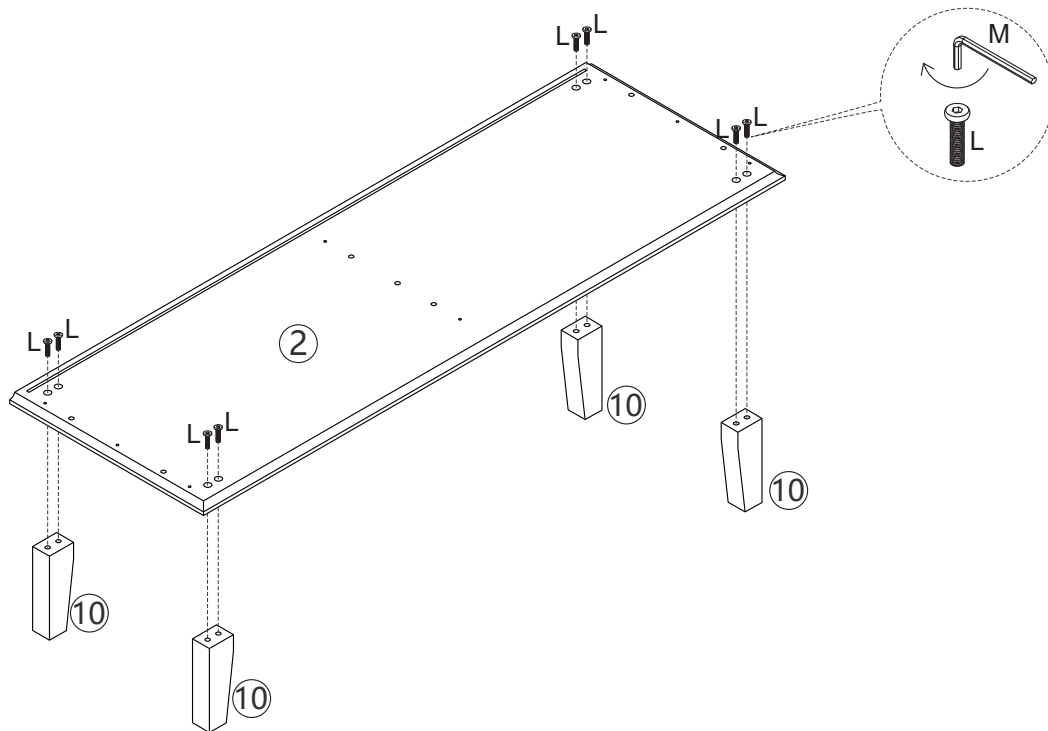




B	
Ø15*10mm Cam Lockk	
24pcs	

4. Assemble back panel.

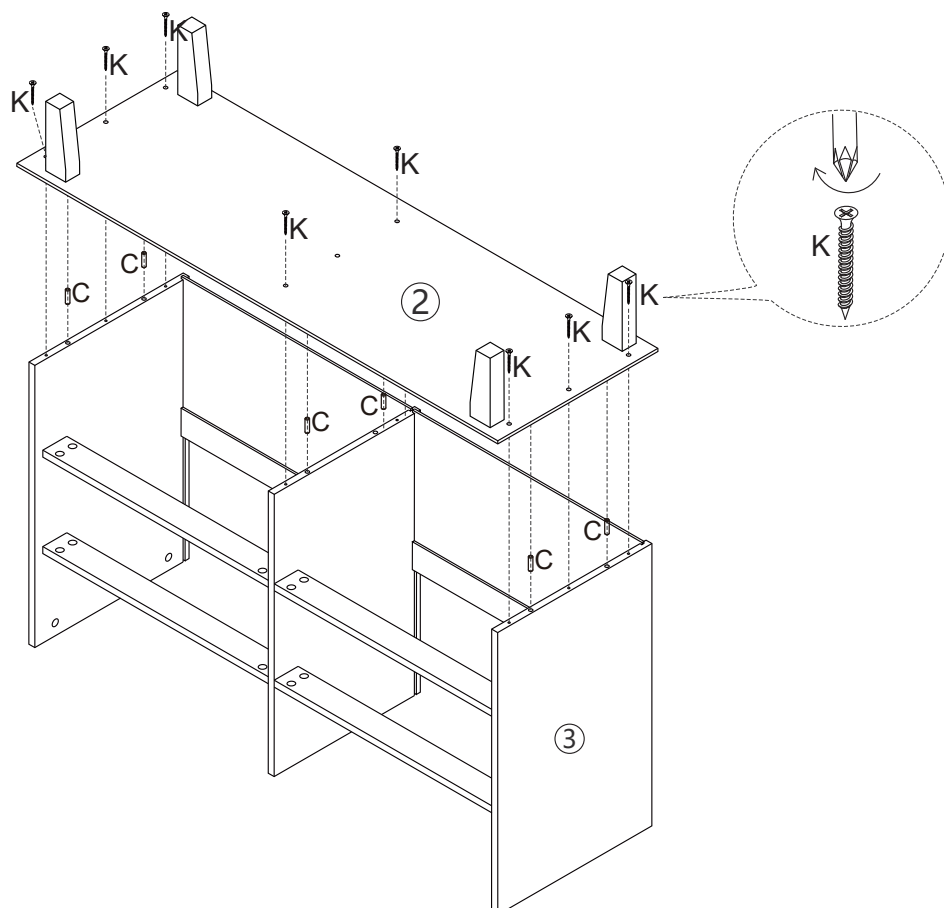




5. Attach Legs to the bottom.



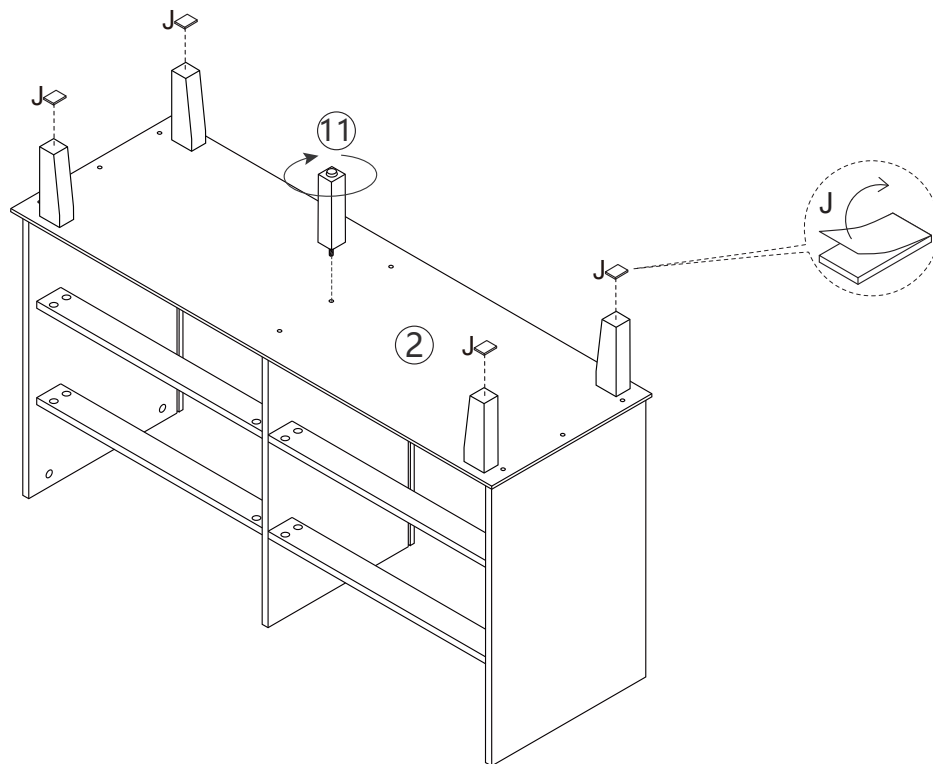
L		M	
	M8*35mm Hex Screw		Hex Key
	8pcs		1pc

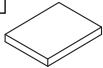
6. Attach panels to the bottom.



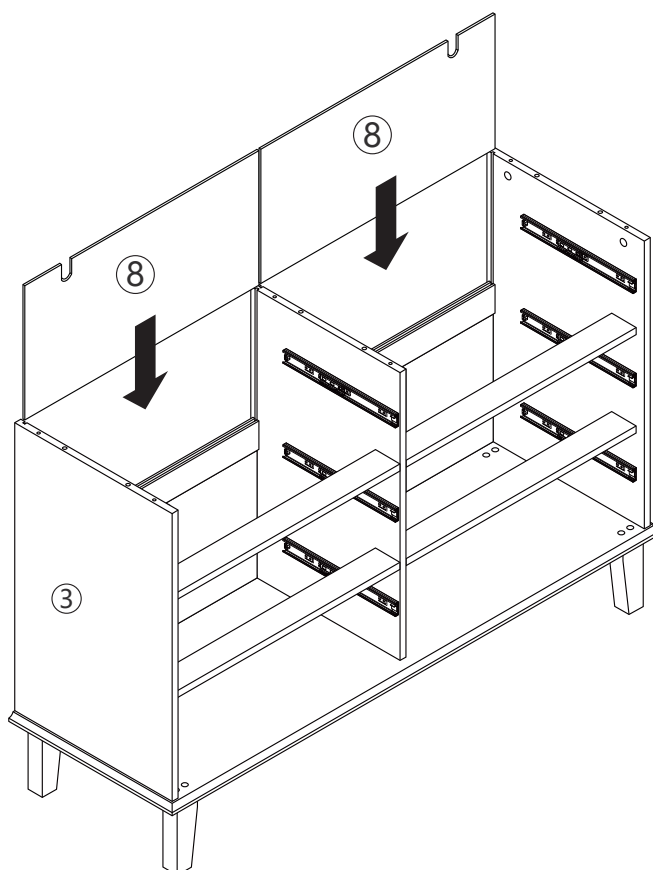
C		K	
	Ø8*30mm Dowel		M4*40mm Screw
	6pcs		8pcs

7. Attach Centre Leg to the bottom.

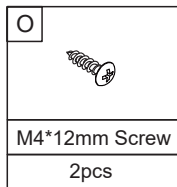
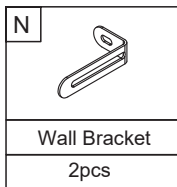
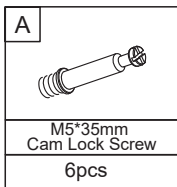
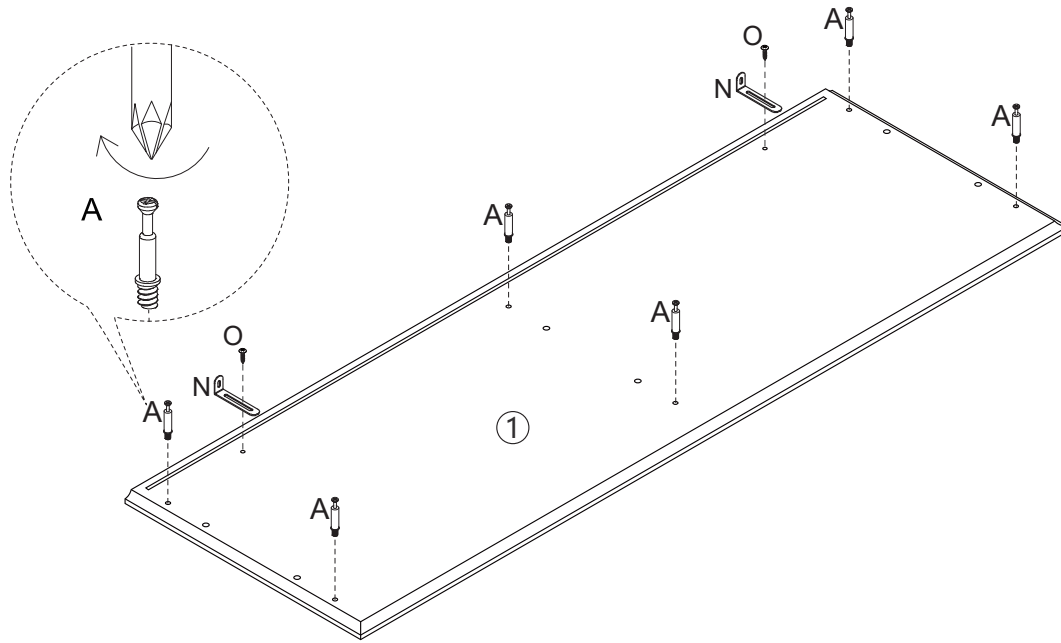


J	
Mat	
4pcs	

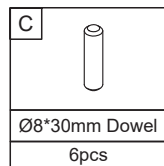
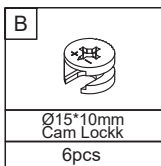
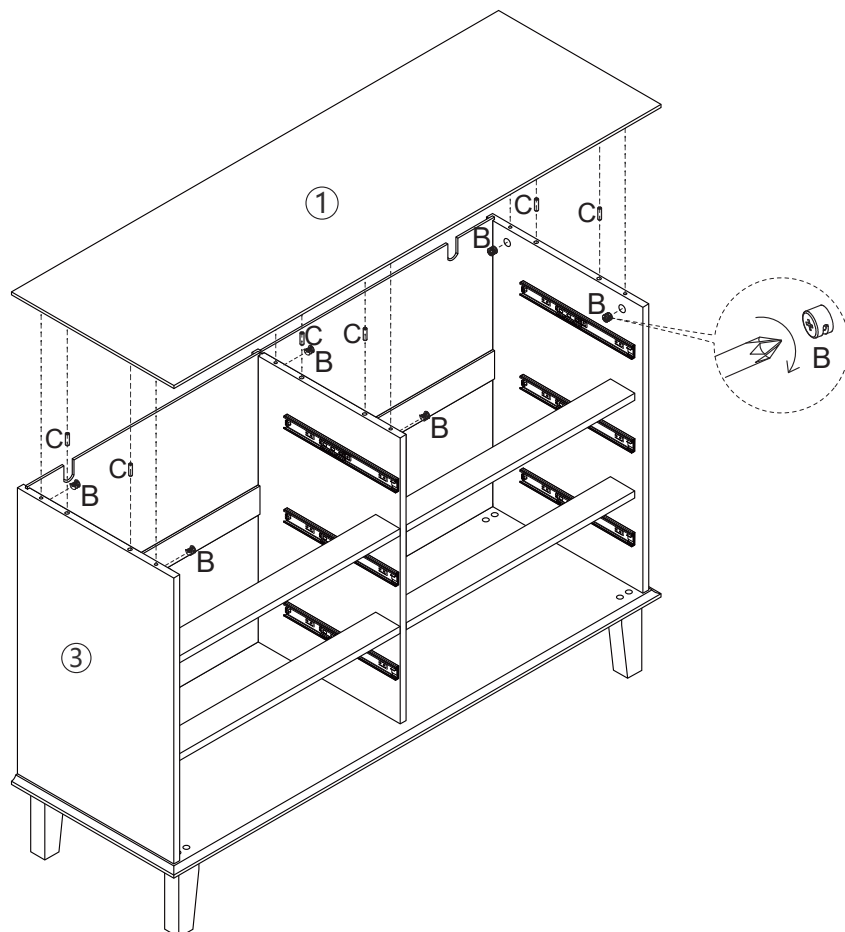
8. Assemble back panel.



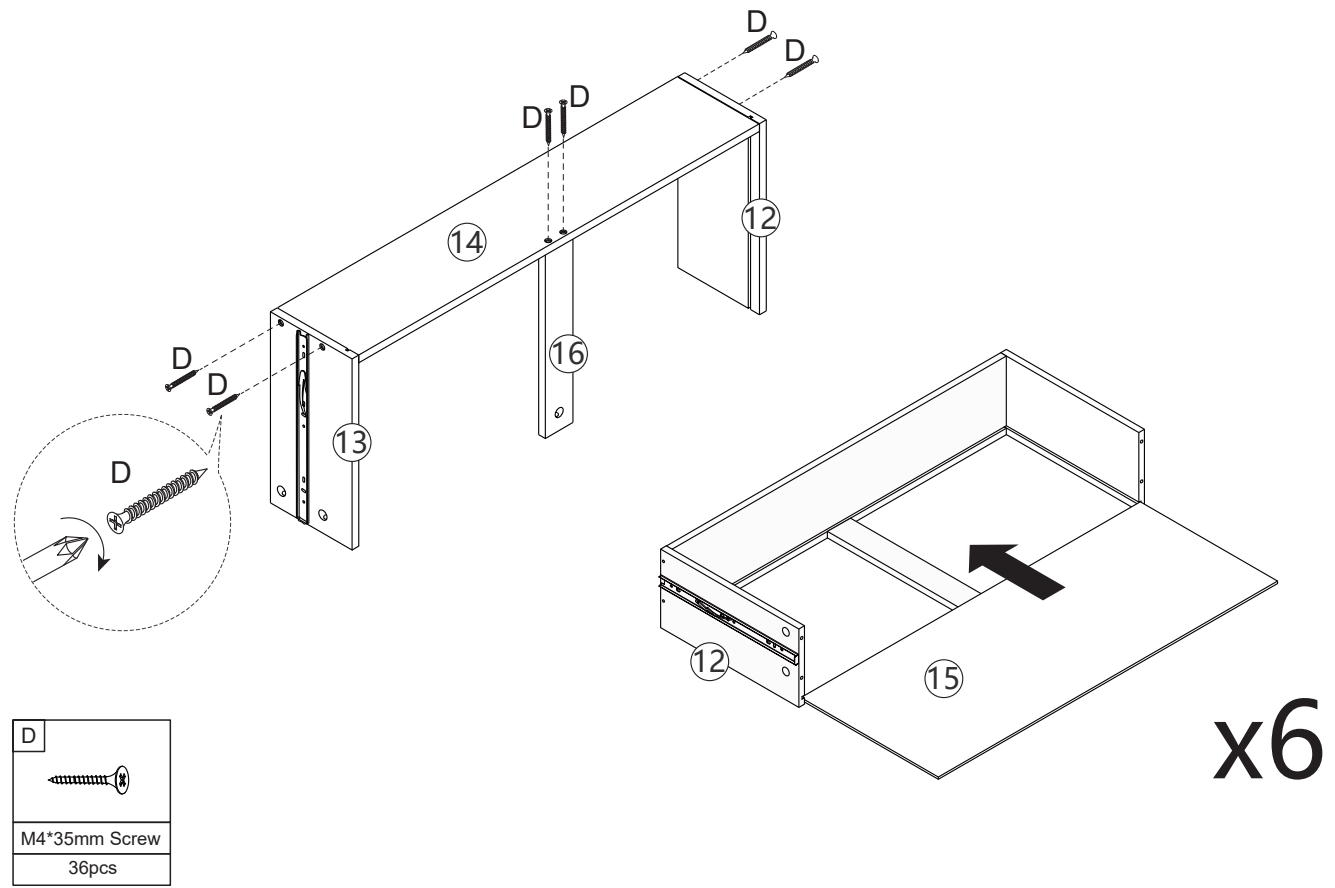
9. Attach parts to the top panel.



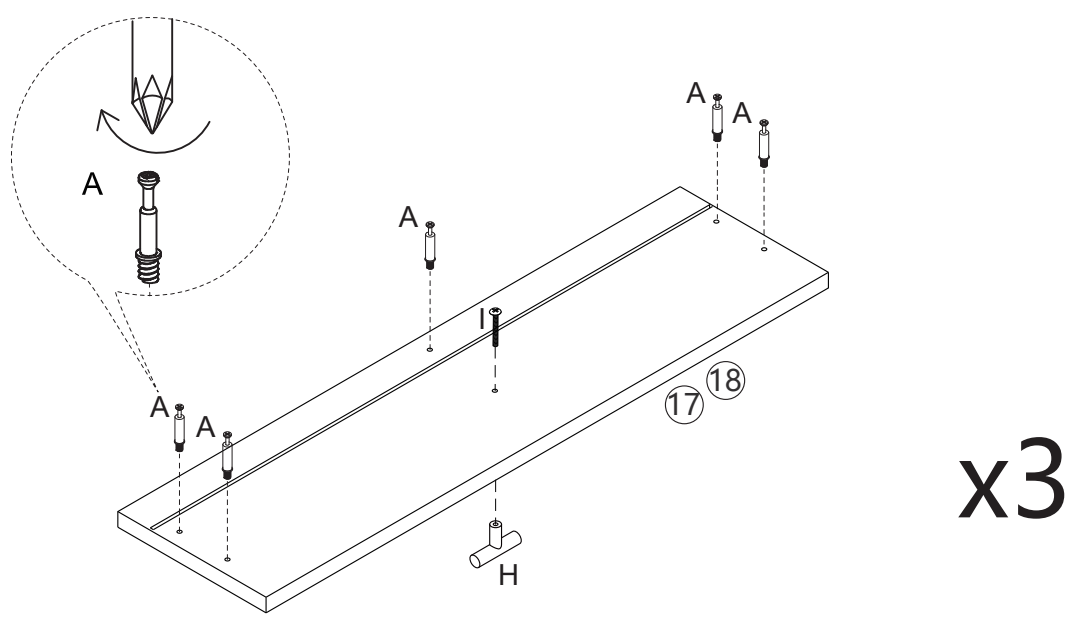
10. Attach the top panel to the frame.



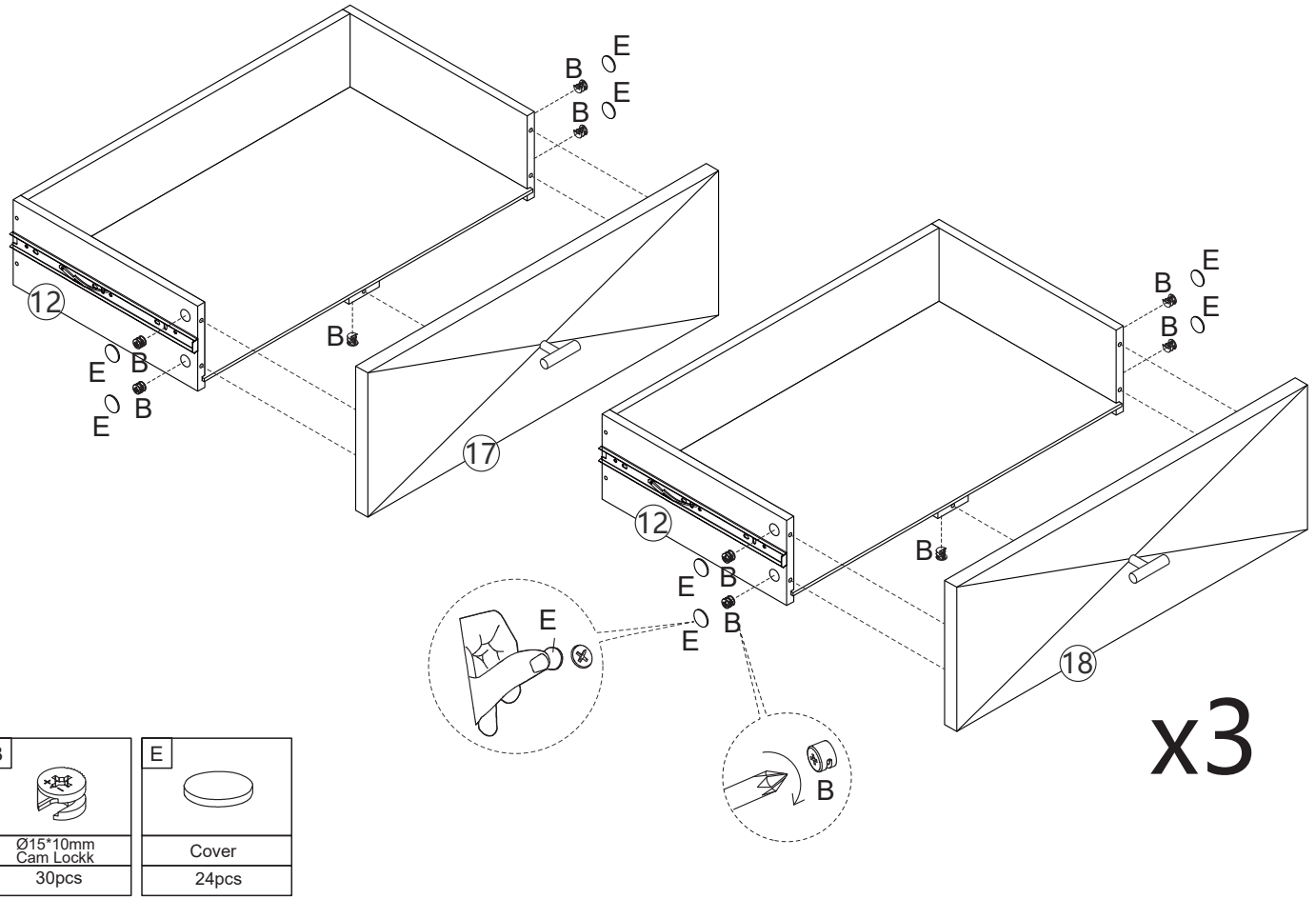
11. Assemble the drawer by following the steps shown in the illustration below.



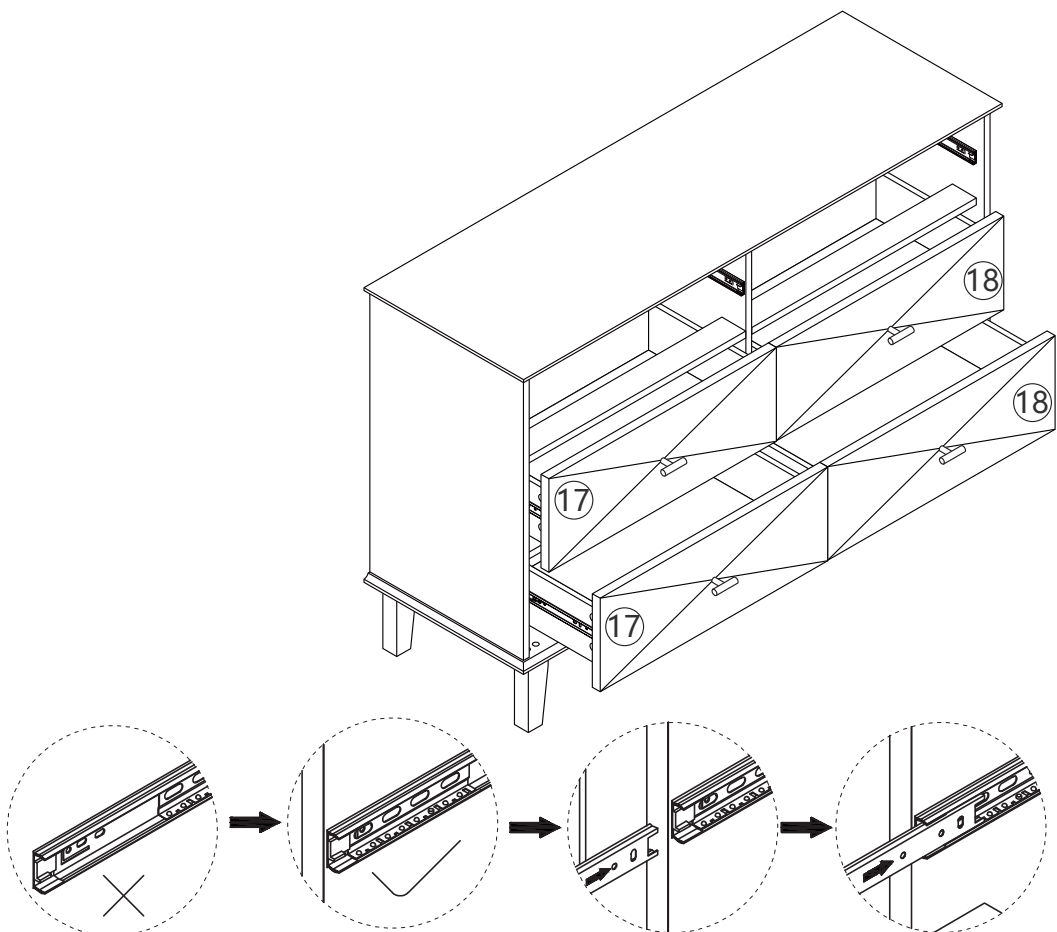
12. Attach parts to the drawer panel.



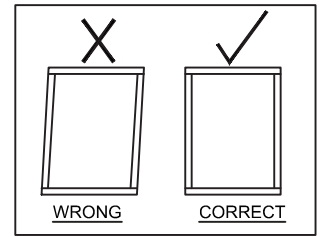
13. Assemble the drawer by following the steps shown in the illustration below.



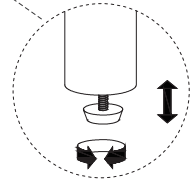
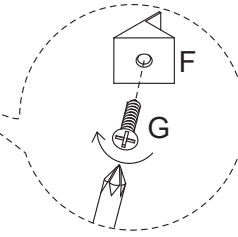
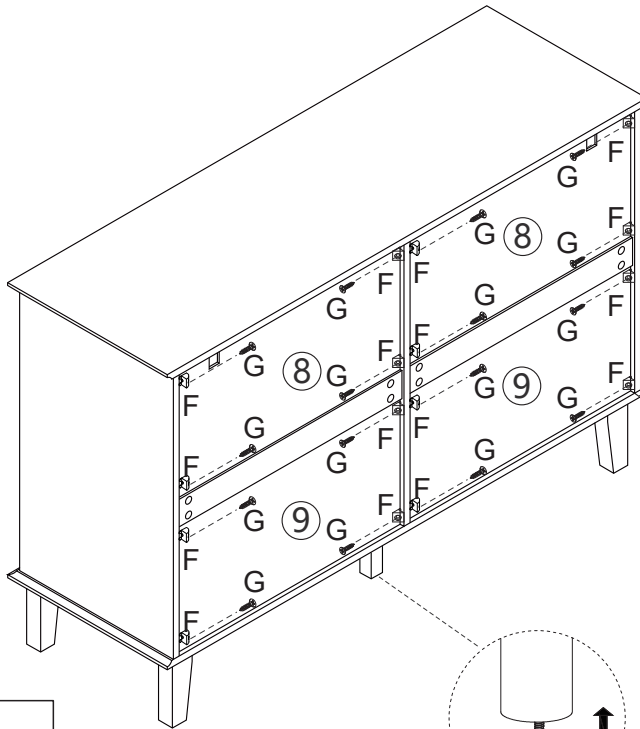
14. Assemble middle and bottom drawer in the cabinet.



15. Attach the plastic buckles and screws etc.

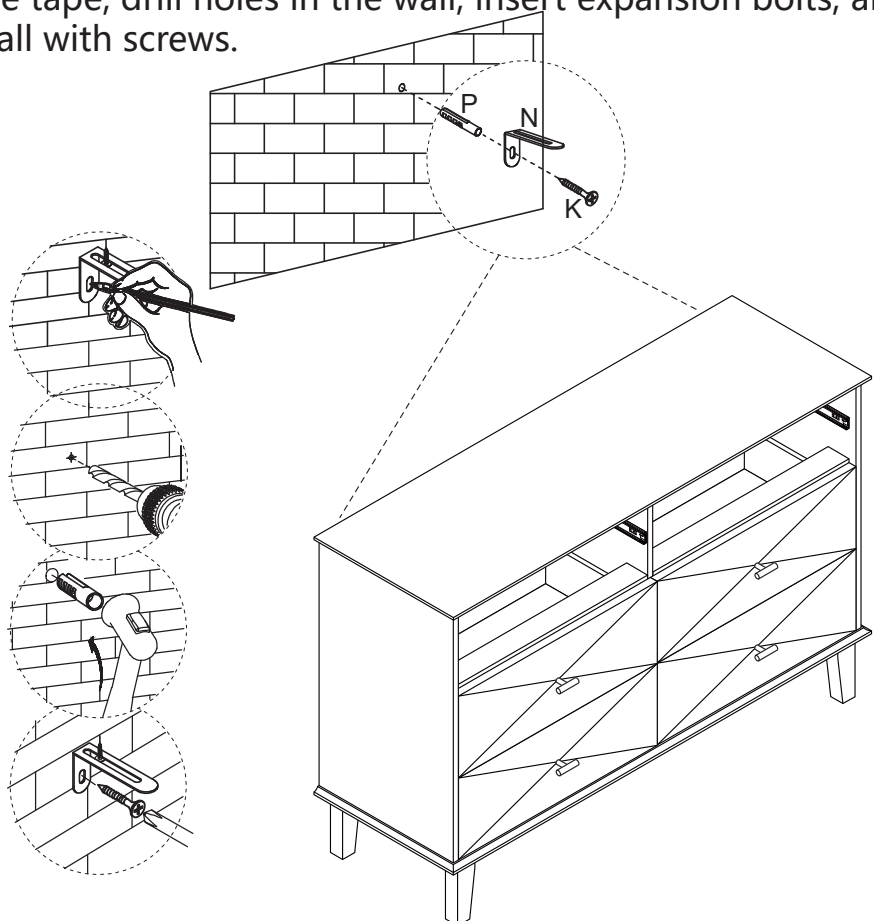


NB: Before tightening the plastic buckles and screws, please ensure the frame is square



F	G
Plastic Buckle	M3*12mm Screw
16pcs	16pcs

16. Assemble anti reverse tape, drill holes in the wall, insert expansion bolts, and then fix the furniture to the wall with screws.



K	P
M4*40mm Screw	M8*40mm Wall Anchor
2pcs	2pcs

17. Assemble top drawer in the cabinet.

