

DUSK.COM

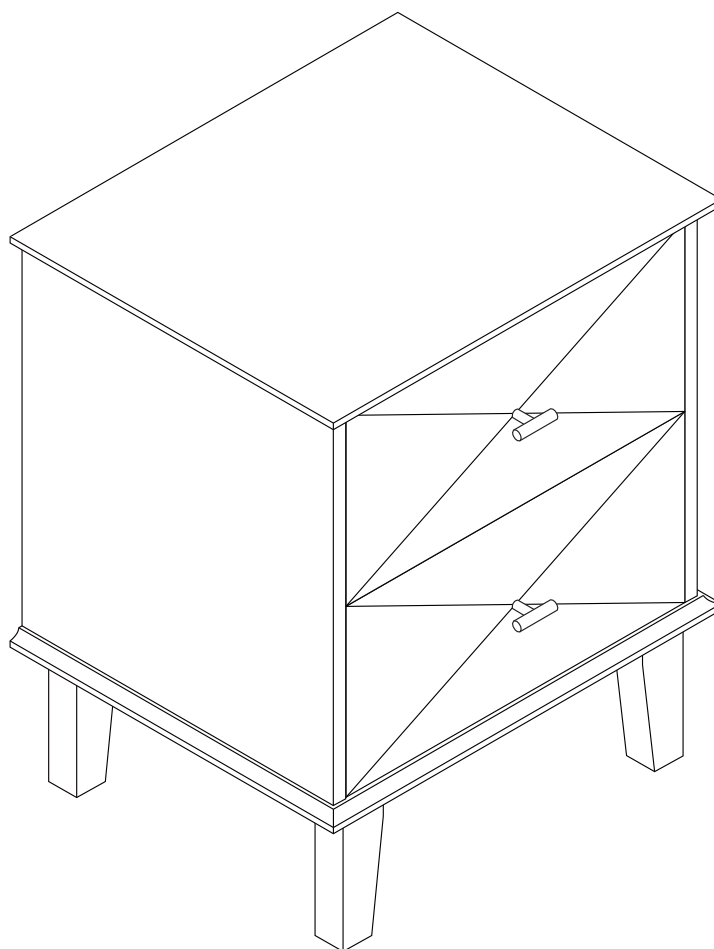
LIVING | BEDROOM | DINING

Range Name: Brianna

Box Dimensions: W60xD48.5xH23 (cm)

Product Dimensions: W48xD40xH59 (cm)

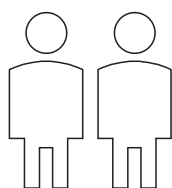
Bedside



THIS INSTRUCTION BOOKLET CONTAINS IMPORTANT SAFETY INFORMATION.
PLEASE READ AND KEEP FOR FUTURE REFERENCE.



Up to 60 minutes
assembly time



Two person
assembly



Electric screwdriver
prohibited

This product is intended for domestic use only, not for commercial purposes.

V-1.0
P-1/11

IMPORTANT

ASSEMBLY TIP

Before you begin, it's best to identify all of the parts and fittings to build your bedside frame. We advise laying these out on the floor to check you have everything, and to familiarise yourself with all of the parts and fittings before building.

TOP TIP

We recommend that you assemble the bedside in the room you'd like it to be located. This will help prevent any risk of damage to the frame whilst moving it.

SAFETY AND CARE

1. It's important to ensure children and animals are kept away from the assembly area, as there are small components used in this product which could present a choking hazard. All plastic and wrapping materials should also be kept away from children and animals to prevent any risk of suffocation.
2. Do not stand on your product.
3. Always use the item on firm level ground, ensuring all legs remain in contact with the ground.
4. Place heaviest items in the lowest drawers.
5. Do not set TV or other heavy objects on top of the product.
6. Children should always be under supervision whilst using this product. Never allow children to climb on the drawers.
7. Never keep more than one drawer open at the same time.
8. In order to prevent overturning, this product must be used with the wall attachment device provided.
9. Serious or fatal crushing injuries can occur from tipping furniture.

HELP AND SUPPORT

Please contact our customer service team on 0113 519 0311 if you have any questions or issues with your purchase.

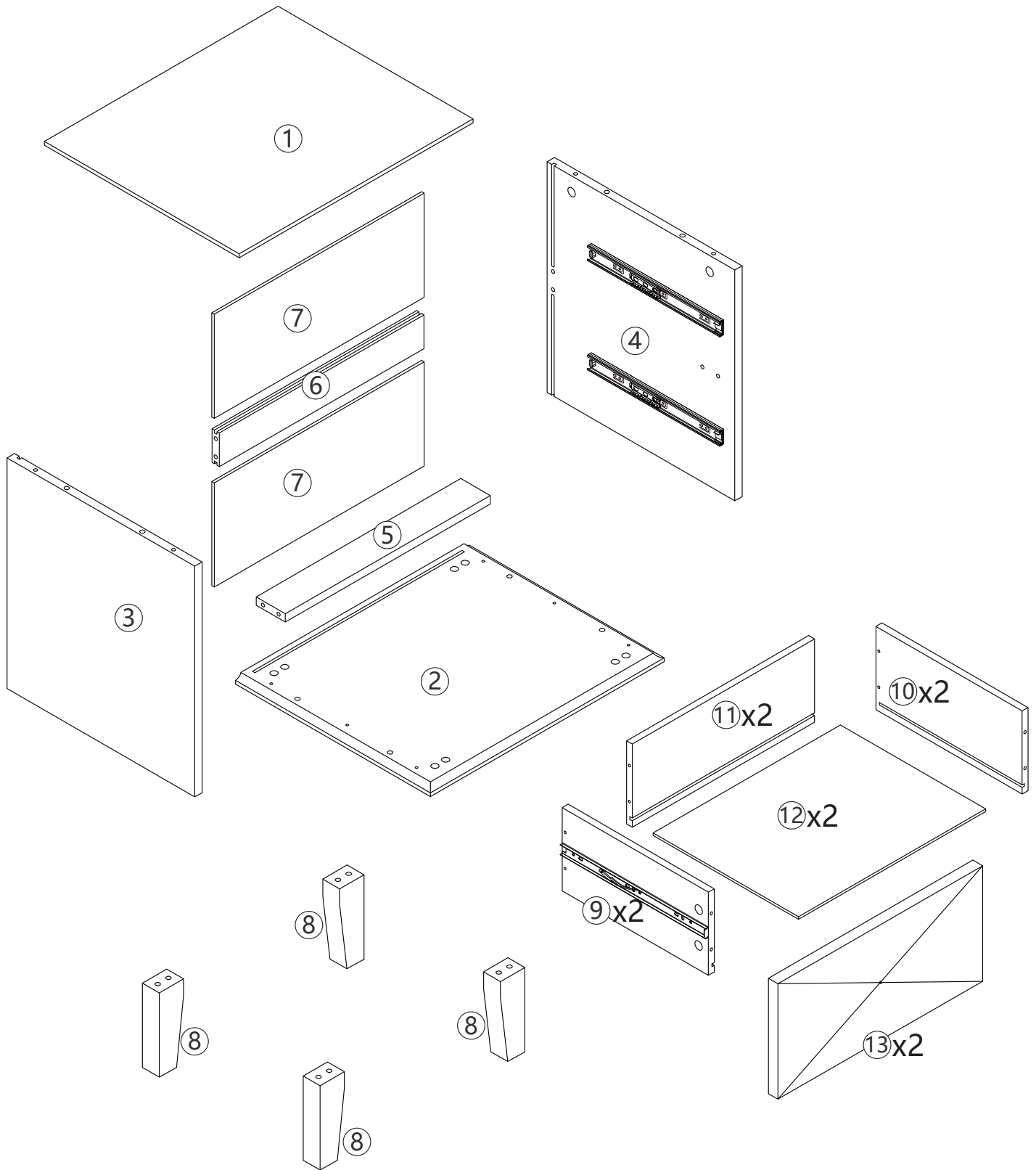
RECYCLING

Please ensure that packaging is disposed of in a safe and environmentally friendly way, and recycle where possible. Please keep your assembly instructions safe to refer back to in the future.

CARE AND MAINTENANCE

1. Only clean using a damp cloth, do not use bleach or abrasive cleaners as they may damage the finish over time.
2. Do not use a very wet cloth or allow any liquid to contact with the surface for a long period of time. Wipe any spillage immediately. Absorption can cause wood to warp or finishes to de-laminate.
3. Do not scrub or rub the surface when cleaning.
4. Do not drag the bedside when moving, lift it off the floor instead.
5. Use a placemat or a coaster when putting hot items (e.g. hot drinks and dishes) on the wood surface.
6. It is not recommended to place the item next to sources of heat such as radiators, fires or directly exposed to sunlight. This may cause the wood to crack, split or fade due to the heat and humidity.
7. Wood will mellow and change colour over time, we recommend that ornaments and items placed on the surface to be moved regularly to prevent uneven mellowing.
8. Regularly check all fixings to ensure none have come loose. Re-tighten if necessary.
9. Avoid sharp items such as a screwdriver or any pointy tools.

Parts list



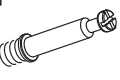


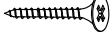



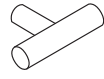

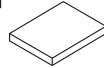


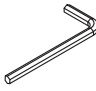
Parts list

Before you begin building your bedside, please take a moment to read through the instructions and make sure that you have all the relevant parts listed on the parts check list.




Part Number	Part Description	Quantity	Box No
1	Top Panel	1 pc	Box1
2	Bottom Panel	1 pc	Box1
3	Left Side Panel With Slide Pre-assembled	1 pc	Box1
4	Right Side Panel With Slide Pre-assembled	1 pc	Box1
5	Front Support Bar	1 pc	Box1
6	Back Support Bar	1 pc	Box1
7	Back Panel	2 pcs	Box1
8	Leg	4 pcs	Box1
9	Drawer Left Side With Slide Pre-assembled	2 pcs	Box1
10	Drawer Right Side With Slide Pre-assembled	2 pcs	Box1
11	Drawer Back Side	2 pcs	Box1
12	Drawer Bottom	2 pcs	Box1
13	Drawer Front	2 pcs	Box1

Fittings

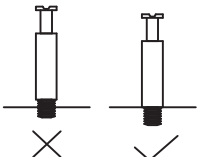
Please check you have all the fittings listed below with your product in Box1.

A 	B 	C 	D 	E 	F 	G 
M5*35mm Cam Lock Screw	Ø15*10mm Cam Lock	Ø8*30mm Dowel	M4*35mm Screw	Cover	Plastic Buckle	M3*12mm Screw
20pcs+2pcs extra	20pcs+2pcs extra	8pcs+1pc extra	8pcs+1pc extra	8pcs+1pc extra	8pcs+1pc extra	8pcs+1pc extra
H 	I 	J 	K 	L 	M 	
Handle	M4*12mm Bolt	Mat	M4*40mm Screw	M8*35mm Hex Screw	Hex Key	
2pcs	2pcs	4pcs	6pcs	8pcs+1pc extra	1pc	

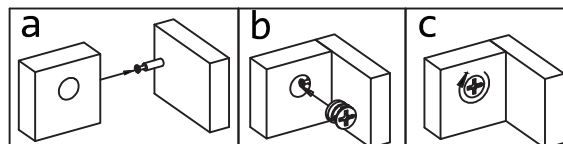
Pre- assembled Fitting

O1 	O2 	P 
Slide	Slide	M3.5*12mm Screw
4pcs	4pcs	24pcs

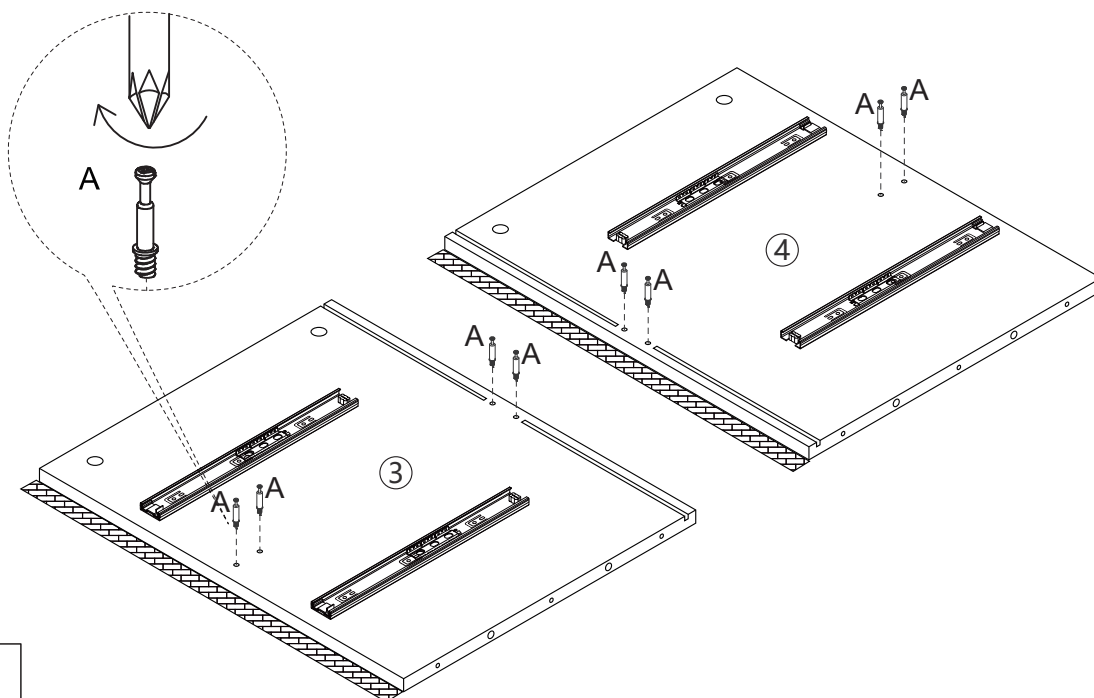
Ensure the cam lock screws are installed correctly, as indicated by the "check mark" below.



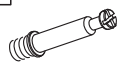
Refer to the illustration below to correctly use the cam lock screws for assembling the panels.



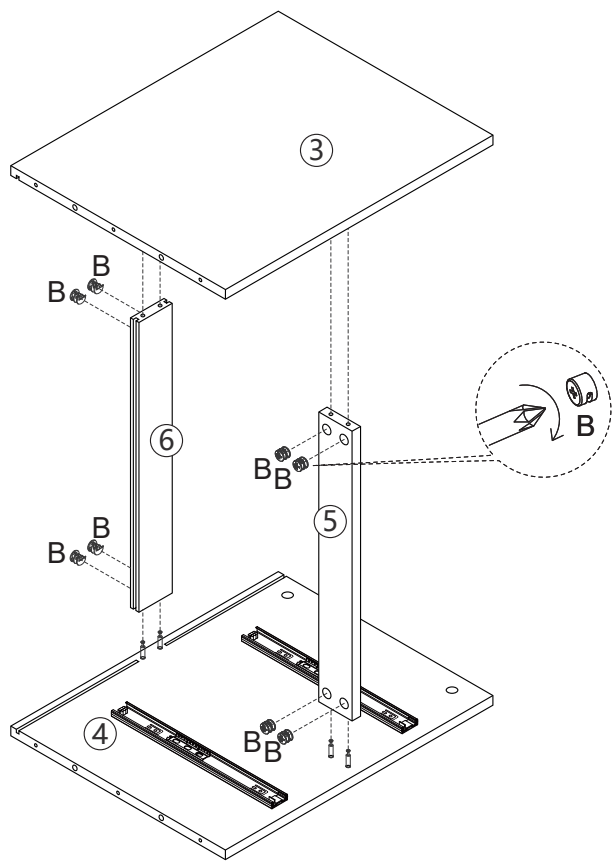
1. Attach parts to the side panel.




Put an EPS foam pad under the panels for surface scratch protection.

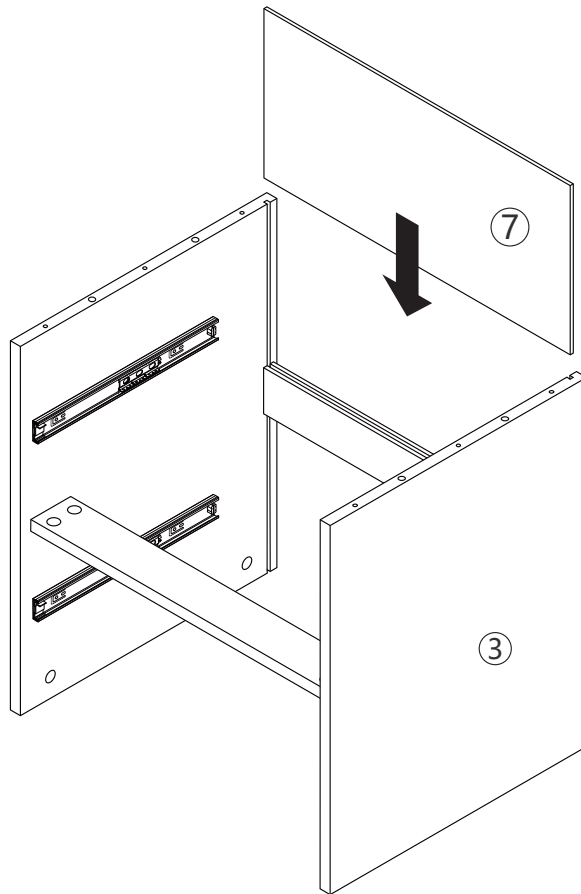
A

M5*35mm Cam Lock Screw
8pcs

2. Assemble the panels of each part together according to the diagram.

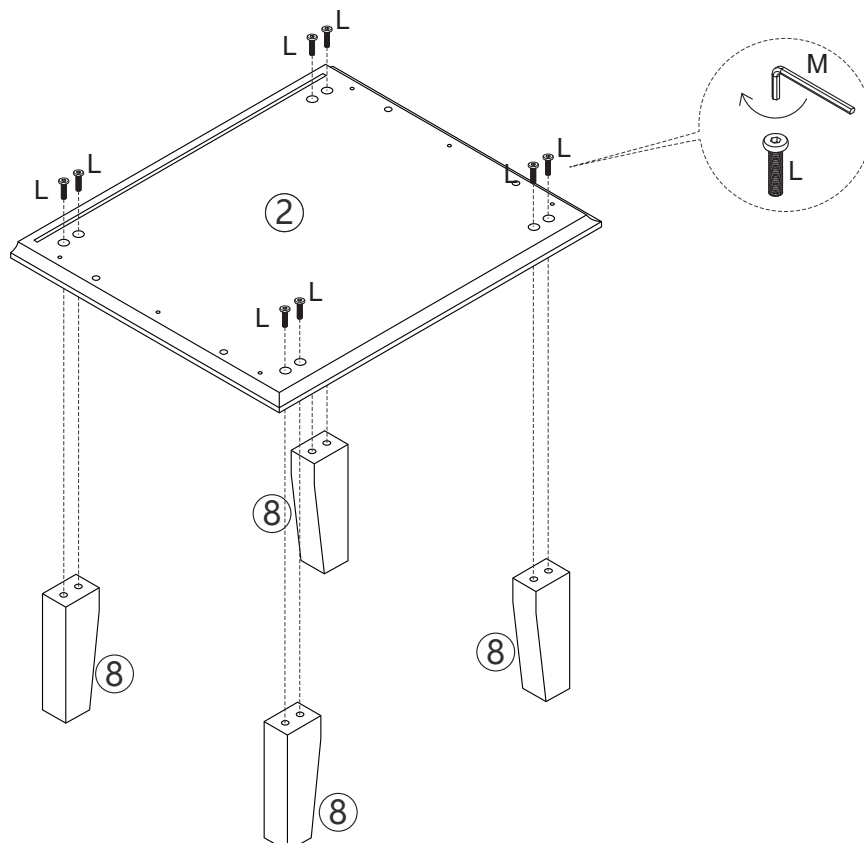




B

Ø15*10mm Cam Lock
8pcs

3. Assemble back panel.

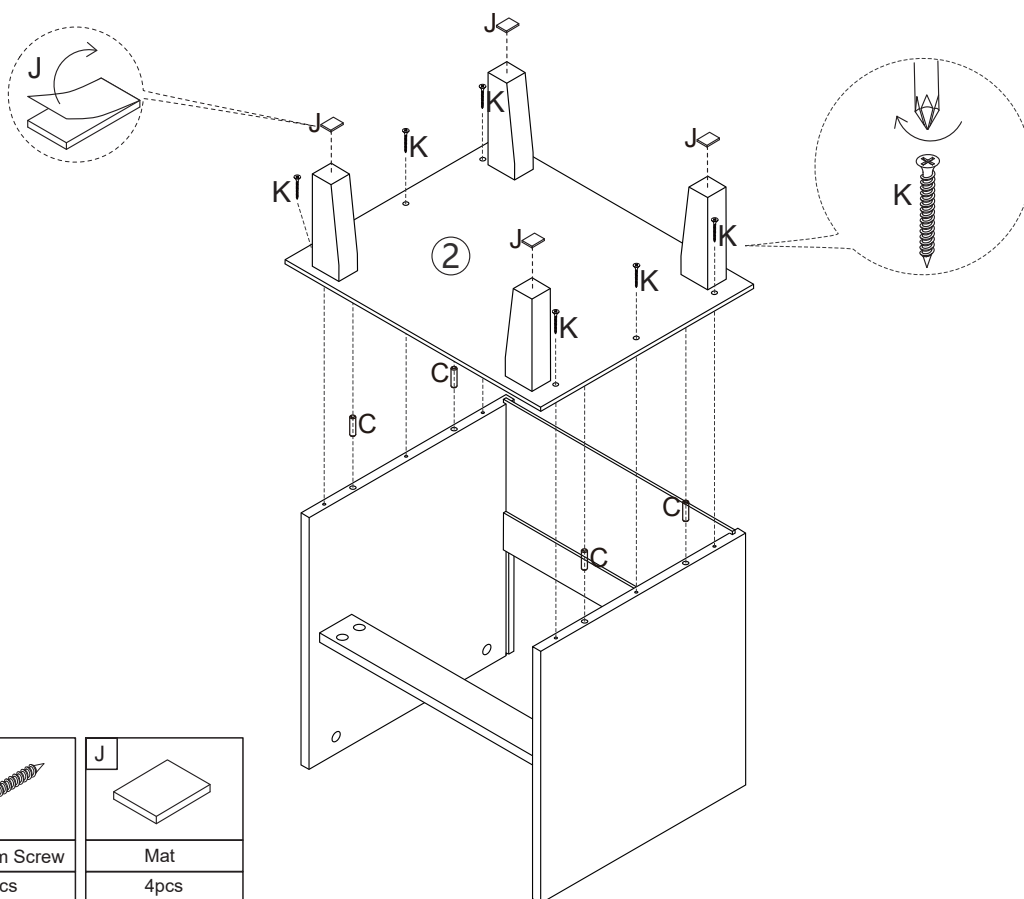


4. Attach Legs to the bottom.

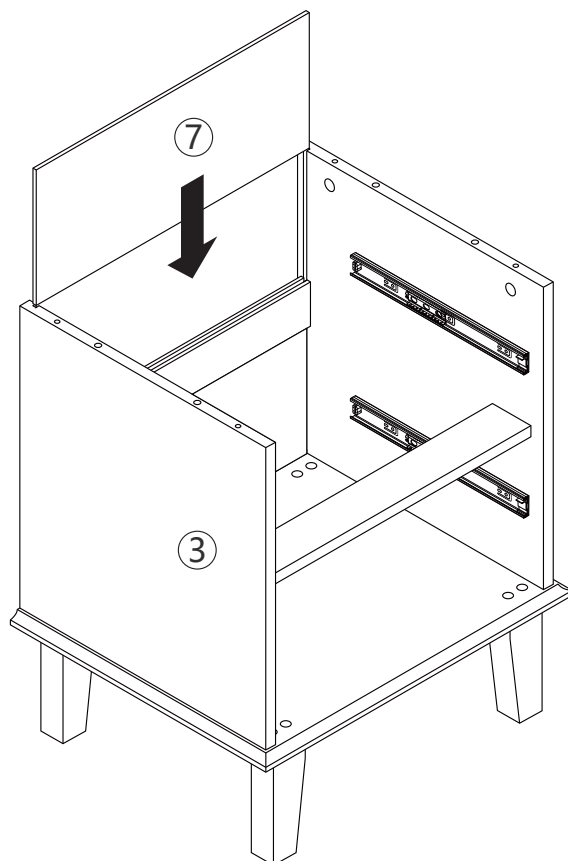


L		M	
	M8*35mm Hex Screw		Hex Key
	8pcs		1pc

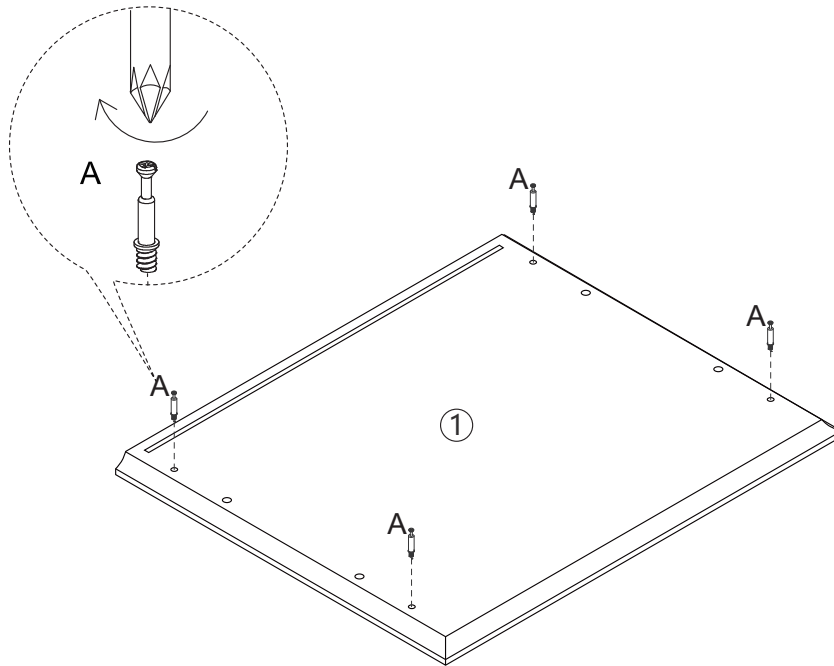
5. Attach panels to the bottom.

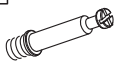


6. Assemble back panel.

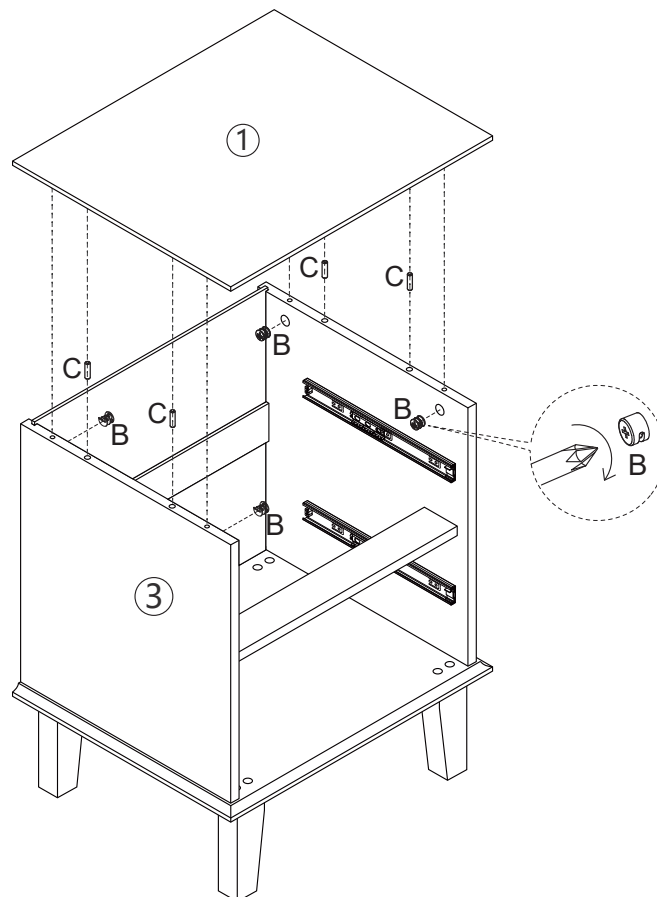



7. Attach parts to the top panel.




A	
M5*35mm Cam Lock Screw	
4pcs	

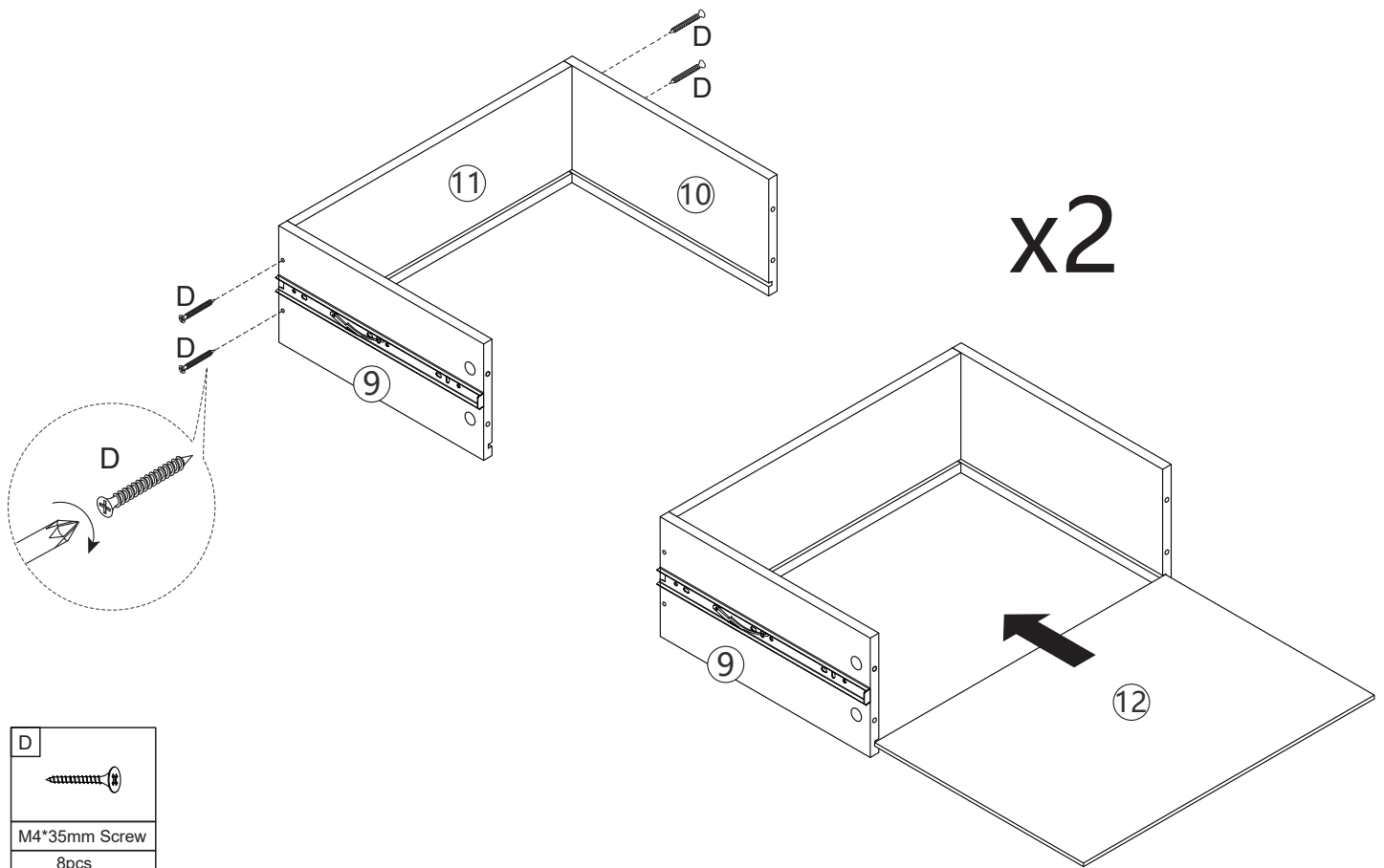
8. Attach the top panel to the frame.

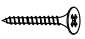


B	
Ø15*10mm Cam Lockk	
4pcs	

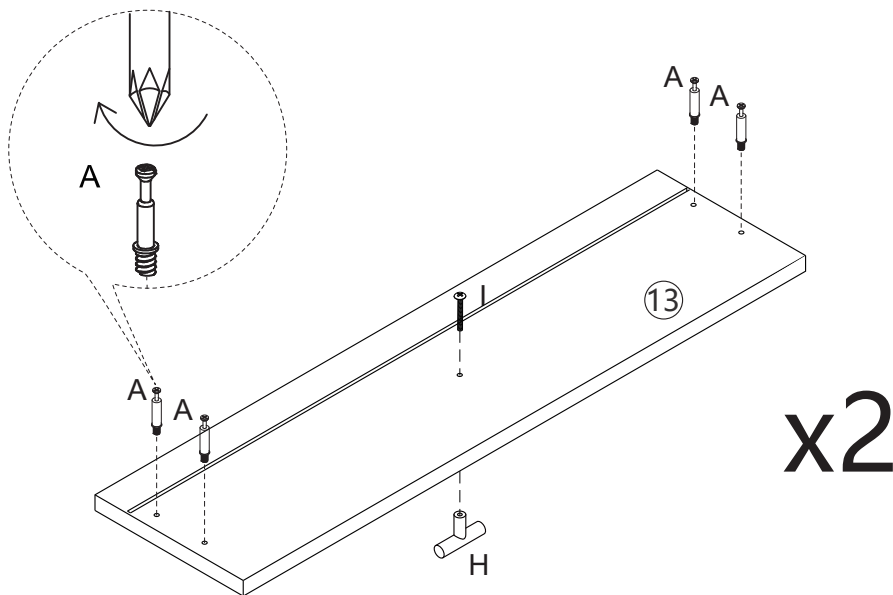
C	
Ø8*30mm Dowel	
4pcs	

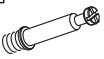
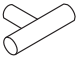

9. Assemble the drawer by following the steps shown in the illustration below.



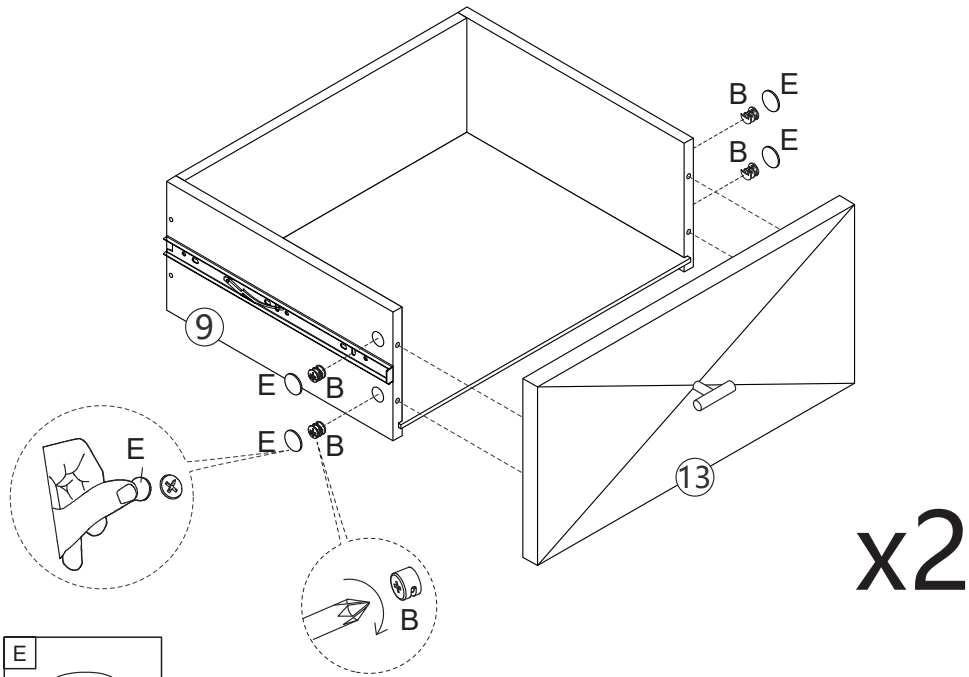
D	
M4*35mm Screw	
8pcs	



10. Attach parts to the drawer panel.



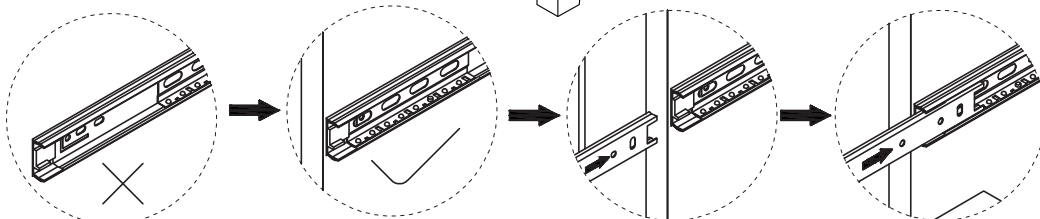
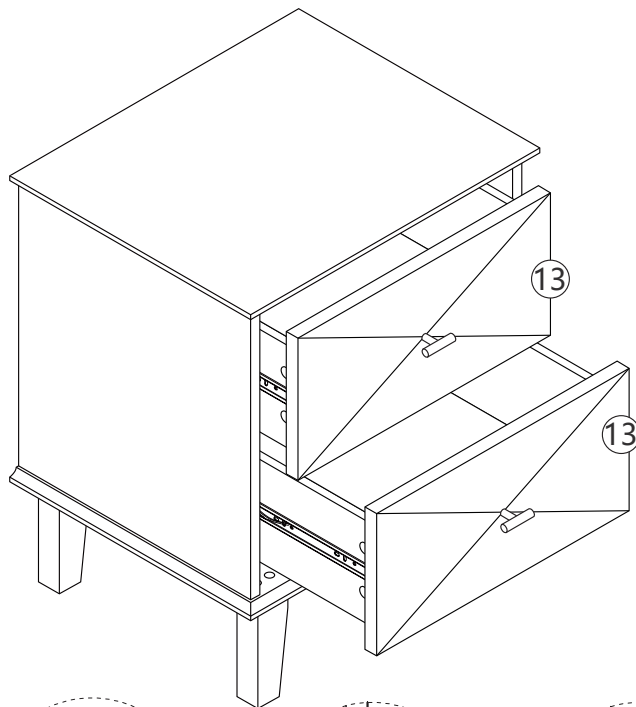
A		H		I	
M5*35mm Cam Lock Screw		Handle		M4*12mm Bolt	
8pcs		2pcs		2pcs	

11. Assemble the drawer by following the steps shown in the illustration below.

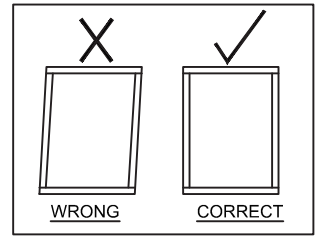
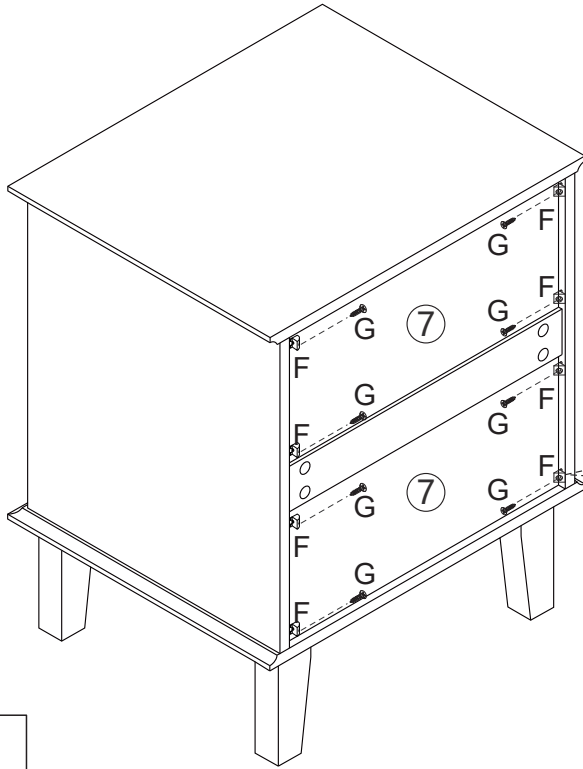


B		E	
Ø15*10mm Cam Lockk		Cover	
8pcs		8pcs	

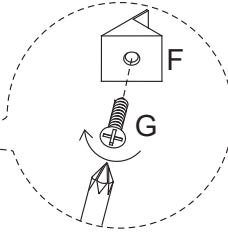
12. Assemble drawer in the cabinet.





13. Attach the plastic buckles and screws.



NB: Before tightening the plastic buckles and screws, please ensure the frame is square



F 	G 
Plastic Buckle 8pcs	M3*12mm Screw 8pcs