

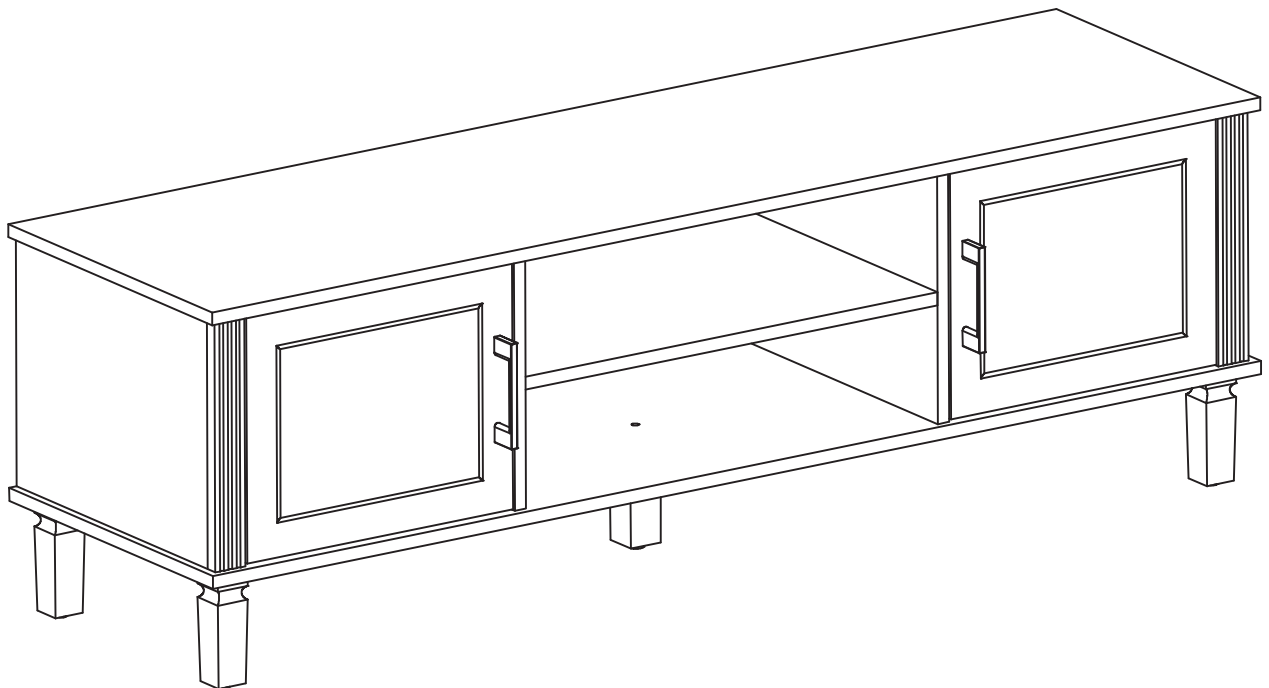
DUSK.COM

LIVING | BEDROOM | DINING

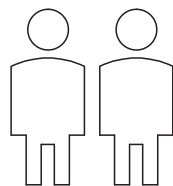
Range Name: Sienna

Box dimensions: L154xW47xH12.5 (cm)

140cm TV Unit



Up to 40 minutes
assembly time



Two person
assembly

This product is intended for domestic use only, not for commercial purposes.

IMPORTANT

ASSEMBLY TIP

Before you begin, it's best to identify all of the parts and fittings to build your TV unit frame. We advise laying these out on the floor to check you have everything, and to familiarise yourself with all of the parts and fittings before building.

TOP TIP

We recommend that you assemble the TV unit in the room you'd like it to be located. This will help prevent any risk of damage to the frame whilst moving it.

SAFETY AND CARE

1. It's important to ensure children and animals are kept away from the assembly area, as there are small components used in this product which could present a choking hazard. All plastic and wrapping materials should also be kept away from children and animals to prevent any risk of suffocation.
2. Do not stand on your product.
3. Always use the item on firm level ground, ensuring all legs remain in contact with the ground.
4. Place heaviest items in the lowest drawers.
5. Children should always be under supervision whilst using this product. Never allow children to climb on the drawers.
6. Never keep more than one drawer open at the same time.
7. Serious or fatal crushing injuries can occur from tipping furniture.

HELP AND SUPPORT

Please contact our customer service team on 0113 519 0311 if you have any questions or issues with your purchase.

RECYCLING

Please ensure that packaging is disposed of in a safe and environmentally friendly way, and recycle where possible. Please keep your assembly instructions safe to refer back to in the future.

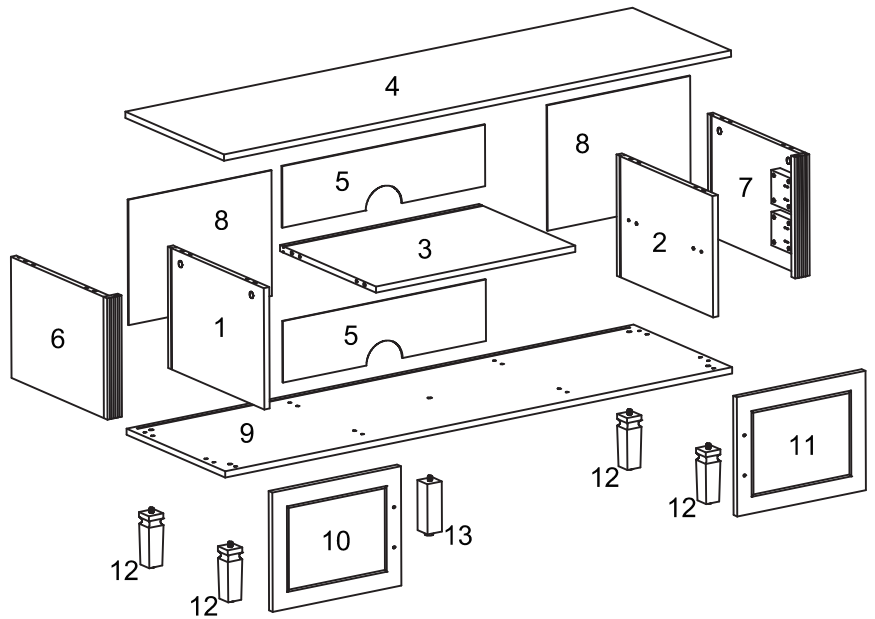
CARE AND MAINTENANCE

1. Only clean using a damp cloth, do not use bleach or abrasive cleaners as they may damage the finish over time.
2. Do not use a very wet cloth or allow any liquid to contact with the surface for a long period of time. Wipe any spillage immediately. Absorption can cause wood to warp or finishes to de-laminate.
3. Do not scrub or rub the surface when cleaning.
4. Do not drag the TV unit when moving, lift it off the floor instead.
5. Use a placemat or a coaster when putting hot items (e.g. hot drinks and dishes) on the wood surface.
6. It is not recommended to place the item next to sources of heat such as radiators, fires or directly exposed to sunlight. This may cause the wood to crack, split or fade due to the heat and humidity.
7. Wood will mellow and change colour over time, we recommend that ornaments and items placed on the surface to be moved regularly to prevent uneven mellowing.
8. Regularly check all fixings to ensure none have come loose. Re-tighten if necessary.
9. Avoid sharp items such as a screwdriver or any pointy tools.
10. Maximum TV size 60", maximum TV weight 20kg.

Parts list

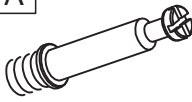


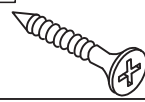


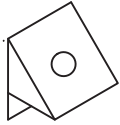

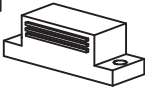
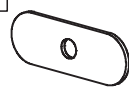



Before you begin building your TV unit, please take a moment to read through the instructions and make sure that you have all the relevant parts listed on the parts check list.

Part Number	Part Description	Quantity
1	Left Middle Panel	1 pc
2	Right Middle Panel	1 pc
3	Centre Panel	1 pc
4	Top Panel	1 pc
5	Back Middle Panel	2 pcs
6	Left Side Panel	1 pc
7	Right Side Panel	1 pc
8	Back Side Panel	2 pcs
9	Bottom Panel	1 pc
10	Door Left Panel	1 pc
11	Door Right Panel	1 pc
12	Leg	4 pcs
13	Centre Leg	1 pc

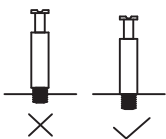


Fittings

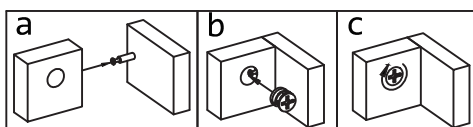
Please check you have all the fittings listed below with your product.

A  M6*35mm Cam Lock Screw 16pcs+2pcs extra	B  Ø15*9mm Cam Lock 16pcs+2pcs extra	C  Ø6*30mm Dowel 20pcs+2pcs extra	D  M4*45mm Screw 8pcs+1pc extra	E  Handle 2pcs	F  M4*20mm Bolt 4pcs
G  Plastic Buckle 22pcs+2pcs extra	H  M3.5*14mm Screw 26pcs+3pcs extra	I  Door Catch 2pcs	J  Door Strike Plate 2pcs	K  M3.5*12mm Screw 26pcs+3pcs extra	L  Hinge 4pcs
M  Cover 8pcs+1pc extra					

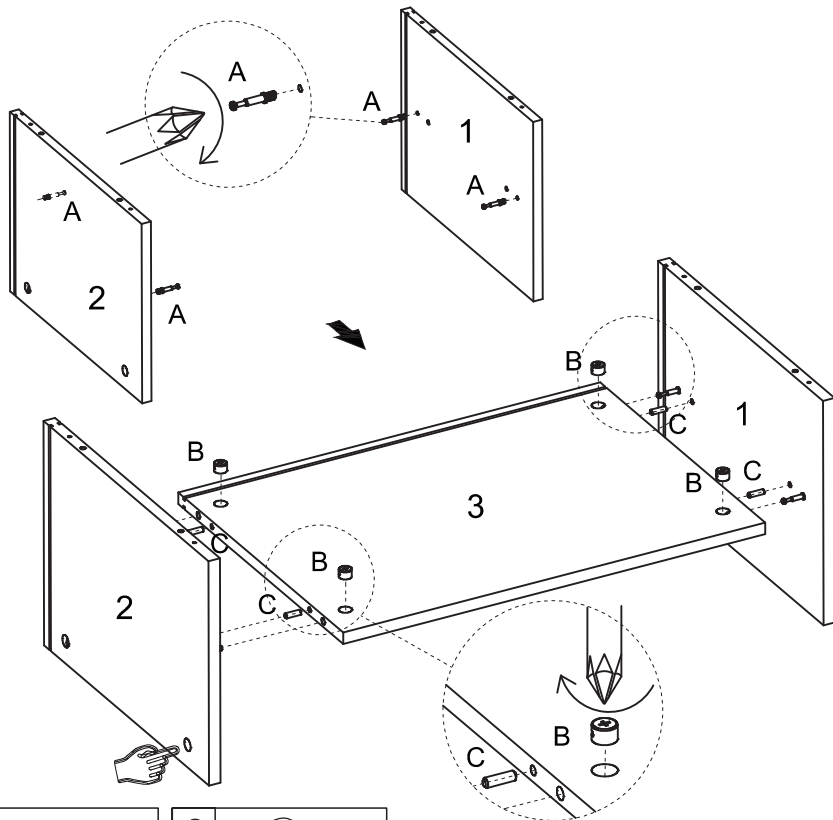
Ensure the cam lock screws are installed correctly, as indicated by the "check mark" below.

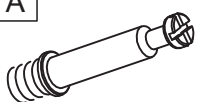




Refer to the illustration below to correctly use the cam lock screws for assembling the panels.

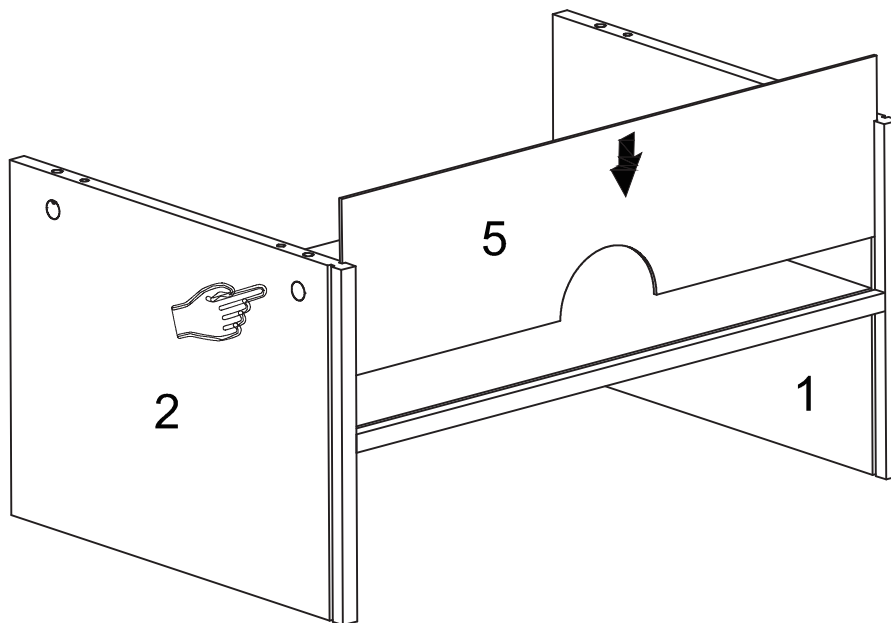


1. Attach Left Middle Panel (1) and Right Middle Panel (2) to the Centre Panel (3).

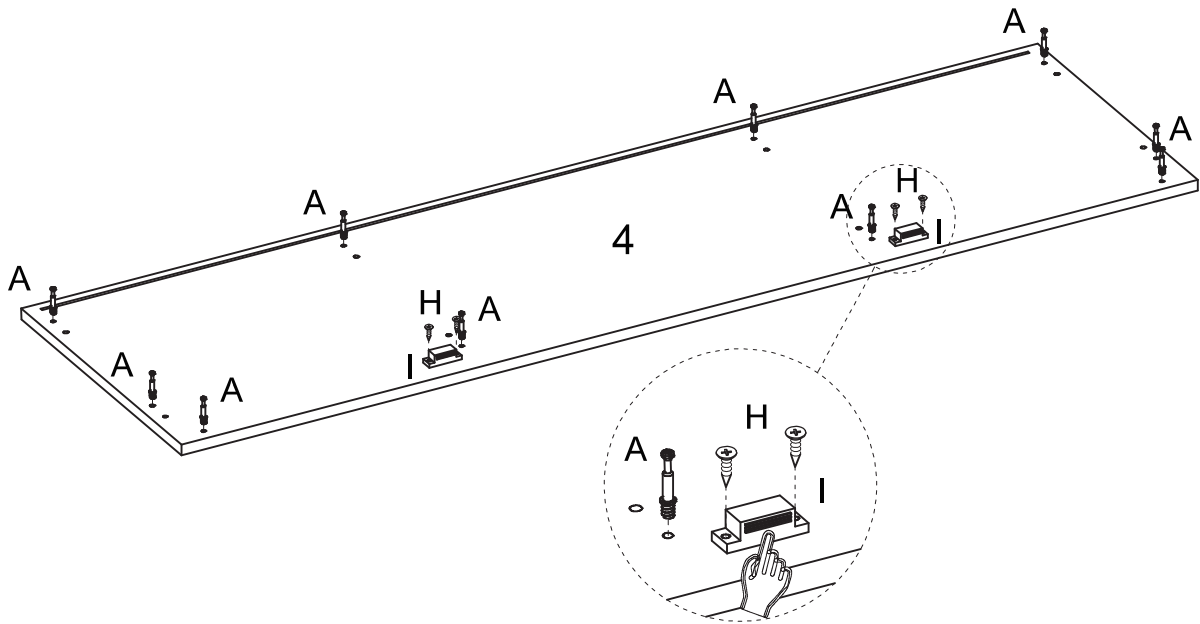


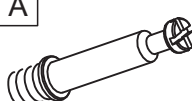

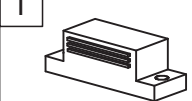
<p>A</p> 	<p>B</p> 	<p>C</p> 
<p>M6*35mm Cam Lock Screw 4pcs</p>	<p>Ø15*9mm Cam Lock 4pcs</p>	<p>Ø6*30mm Dowel 4pcs</p>

2. Insert the Back Middle Panel (5) to the Frame.

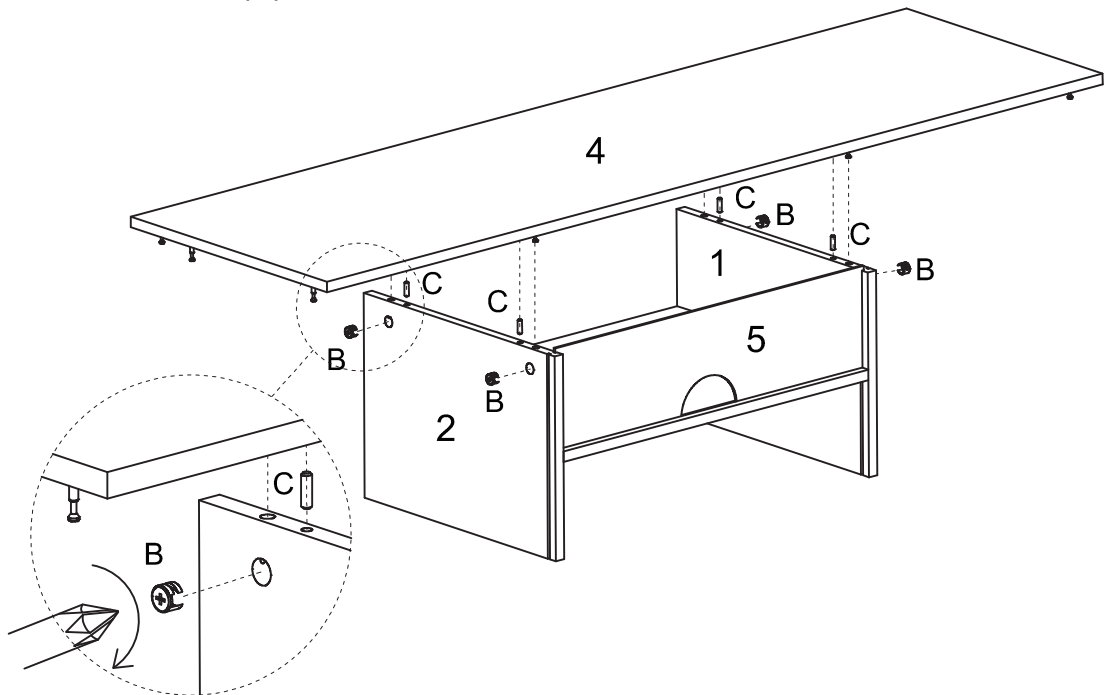



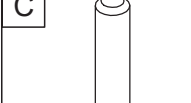
3. Attach the Door Catch and Cam Lock Screws to the Top Panel (4).



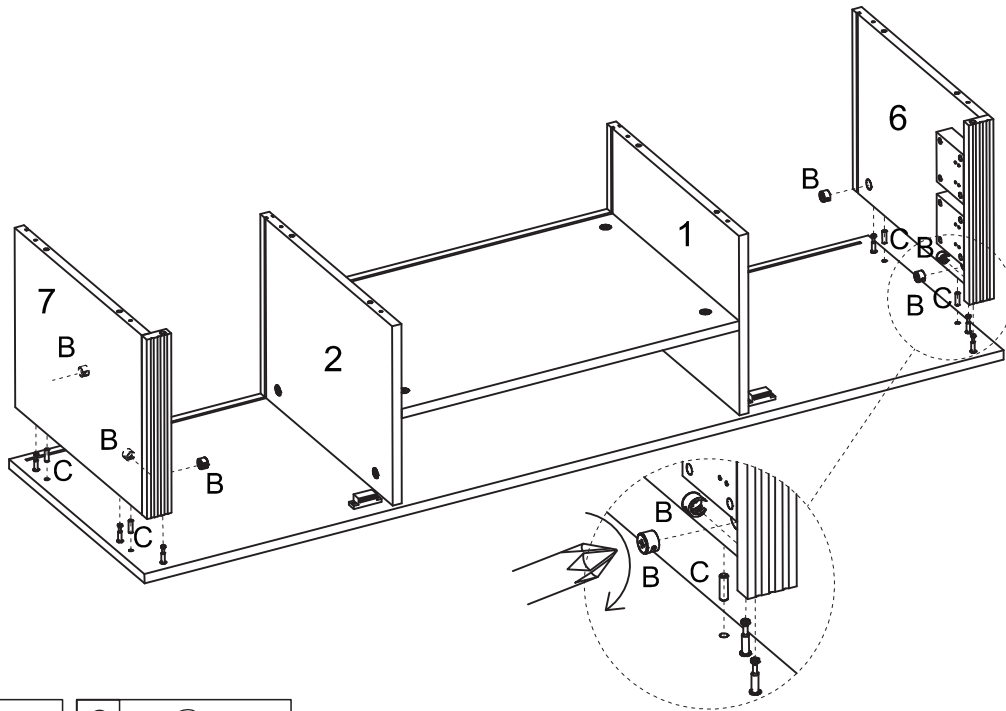
		
M6*35mm Cam Lock Screw 10pcs	M3.5*14mm Screw 4pcs	Door Catch 2pcs



4. Attach Top Panel (4) to the Frame.



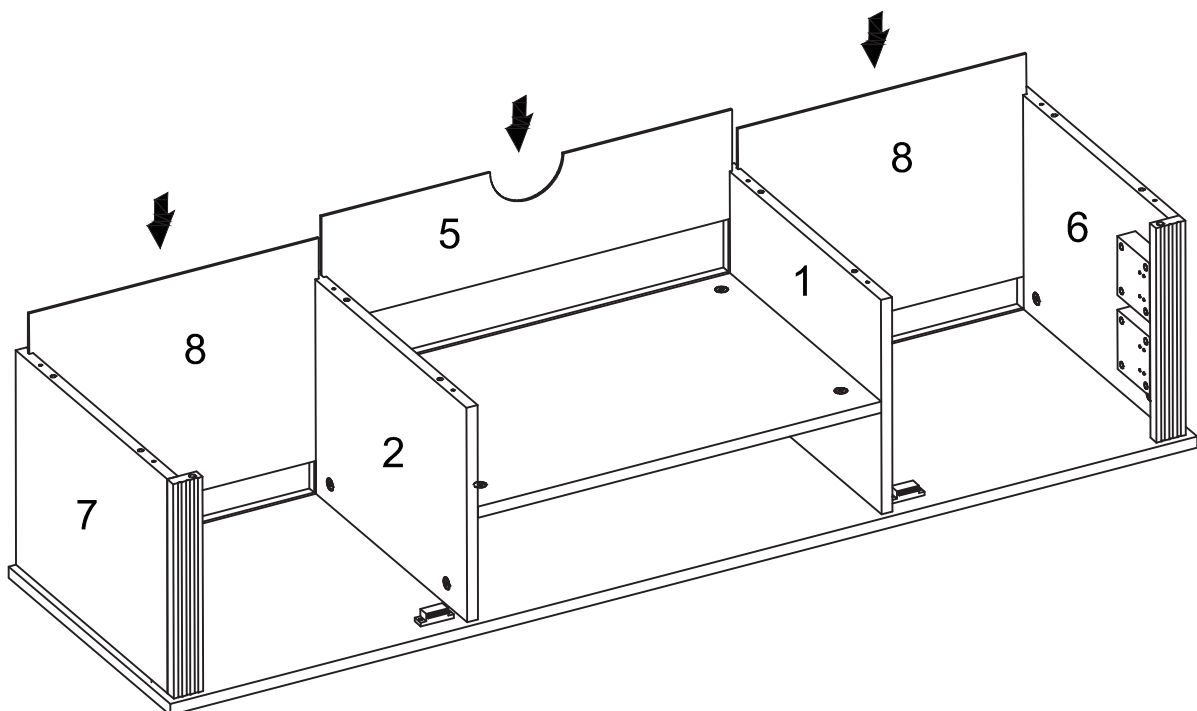
	
Ø15*9mm Cam Lock 4pcs	Ø6*30mm Dowel 4pcs

5. Attach Left Side Panel (6) and Right Side Panel (7) to the Frame.

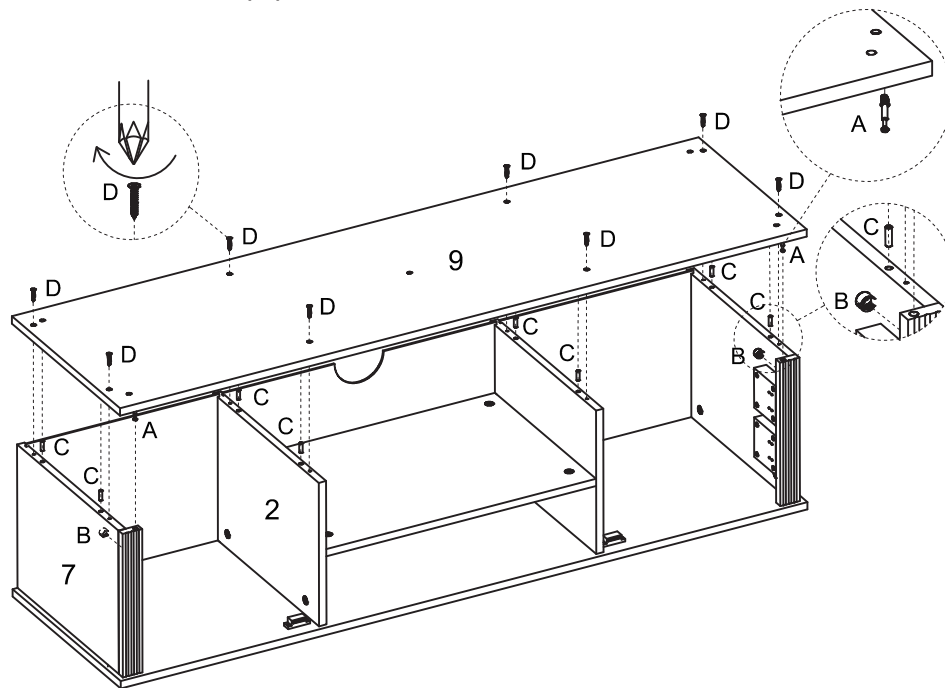


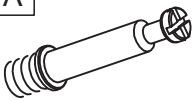


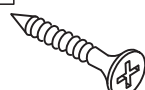
B		C	
Ø15*9mm Cam Lock		Ø6*30mm Dowel	
6pcs		4pcs	

6. Insert Back Middle Panel (5) and Back Side Panels (8) to the Frame.

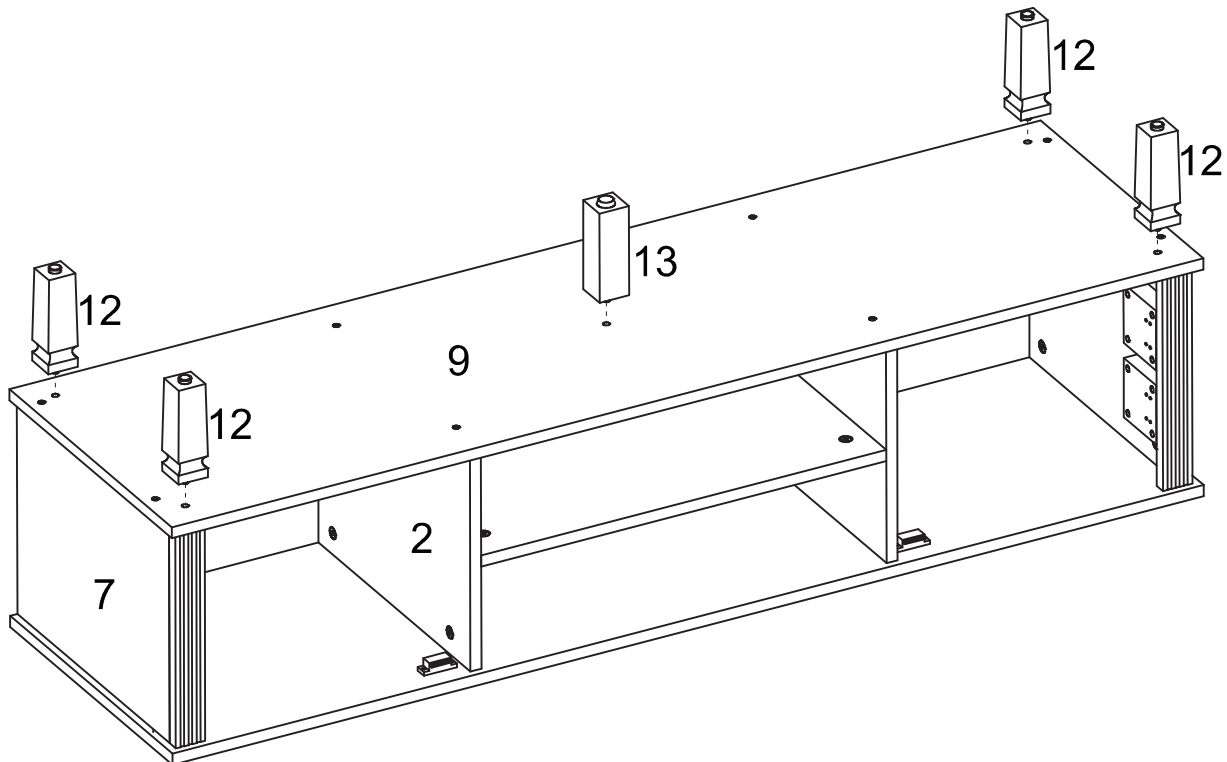


7. Attach Bottom Panel (9) to the Frame.

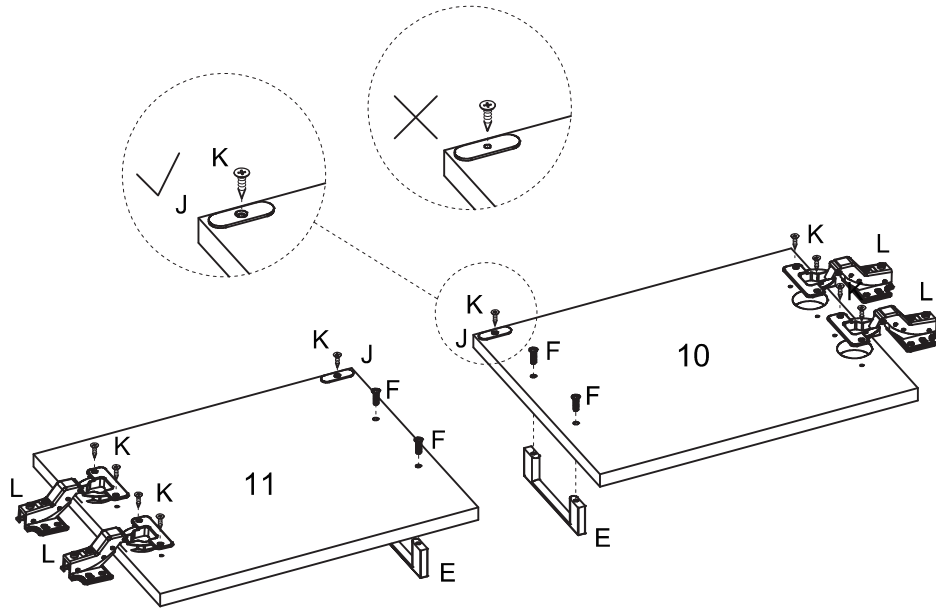







<p>A</p> 	<p>B</p> 	<p>C</p> 	<p>D</p> 
<p>M6*35mm Cam Lock Screw 2pcs</p>	<p>Ø15*9mm Cam Lock 2pcs</p>	<p>Ø6*30mm Dowel 8pcs</p>	<p>M4*45mm Screw 8pcs</p>

8. Attach the Legs (12) and Centre Leg (13).

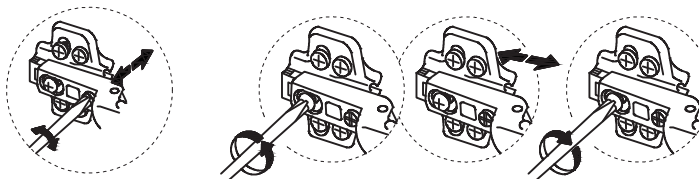
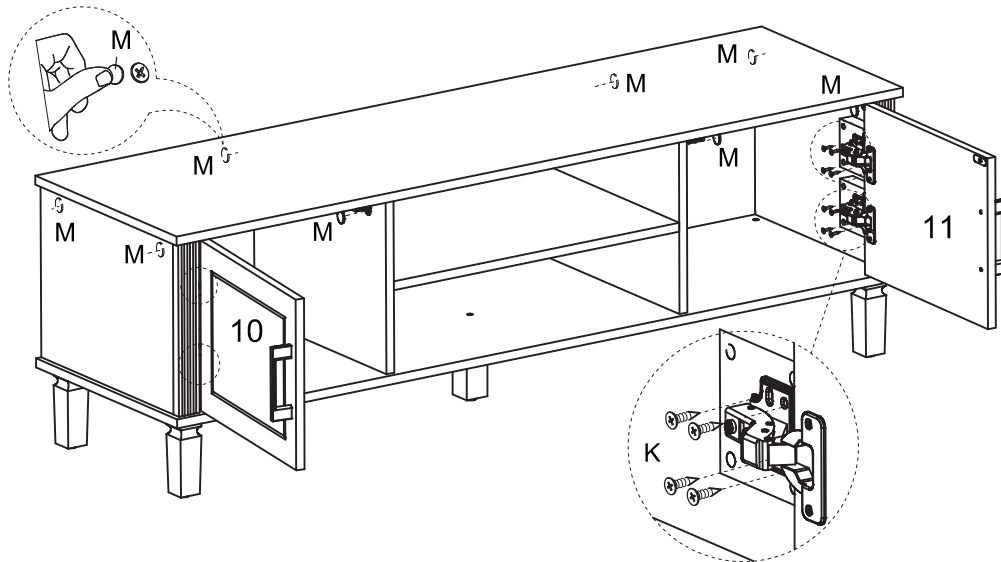




9. Attach the Hinges, Door Strike Plates and Handles to the Door Panels (10,11).



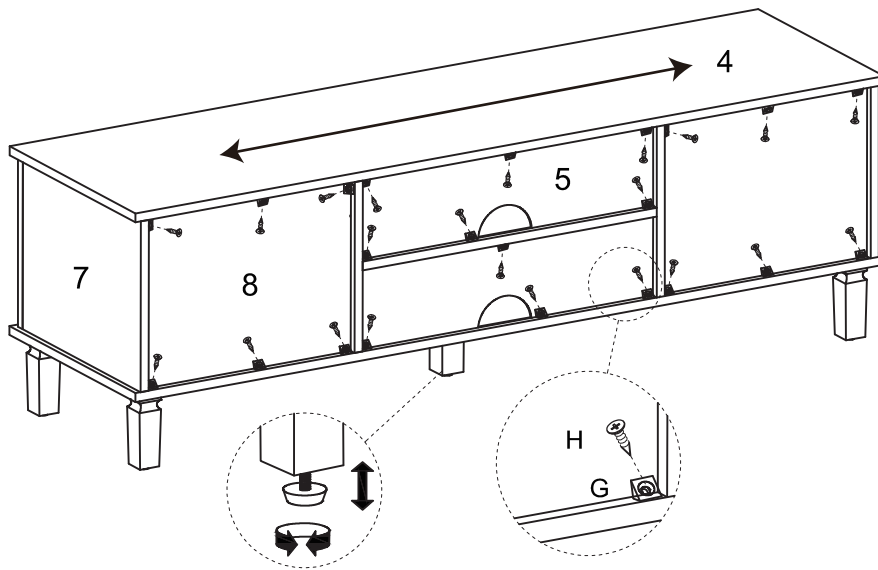
E 	F 	J 	K 	L 
Handle	M4*20mm Bolt	Door Strike Plate	M3.5*12mm Screw	Hinge
2pcs	4pcs	2pcs	10pcs	4pcs


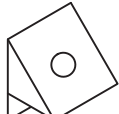
10. Attach the Door Panels (10, 11) to the Frame.



K 	M 
M3.5*12mm Screw	Cover
16pcs	8pcs

11. Attach the plastic buckles on back. Before securing them, manually adjust the frame to ensure the drawers are properly aligned, even, and parallel. The Centre Leg is adjustable if necessary.



H 	G 
M3.5*14mm Screw	Plastic Buckle
22pcs	22pcs