

# DUSK.COM

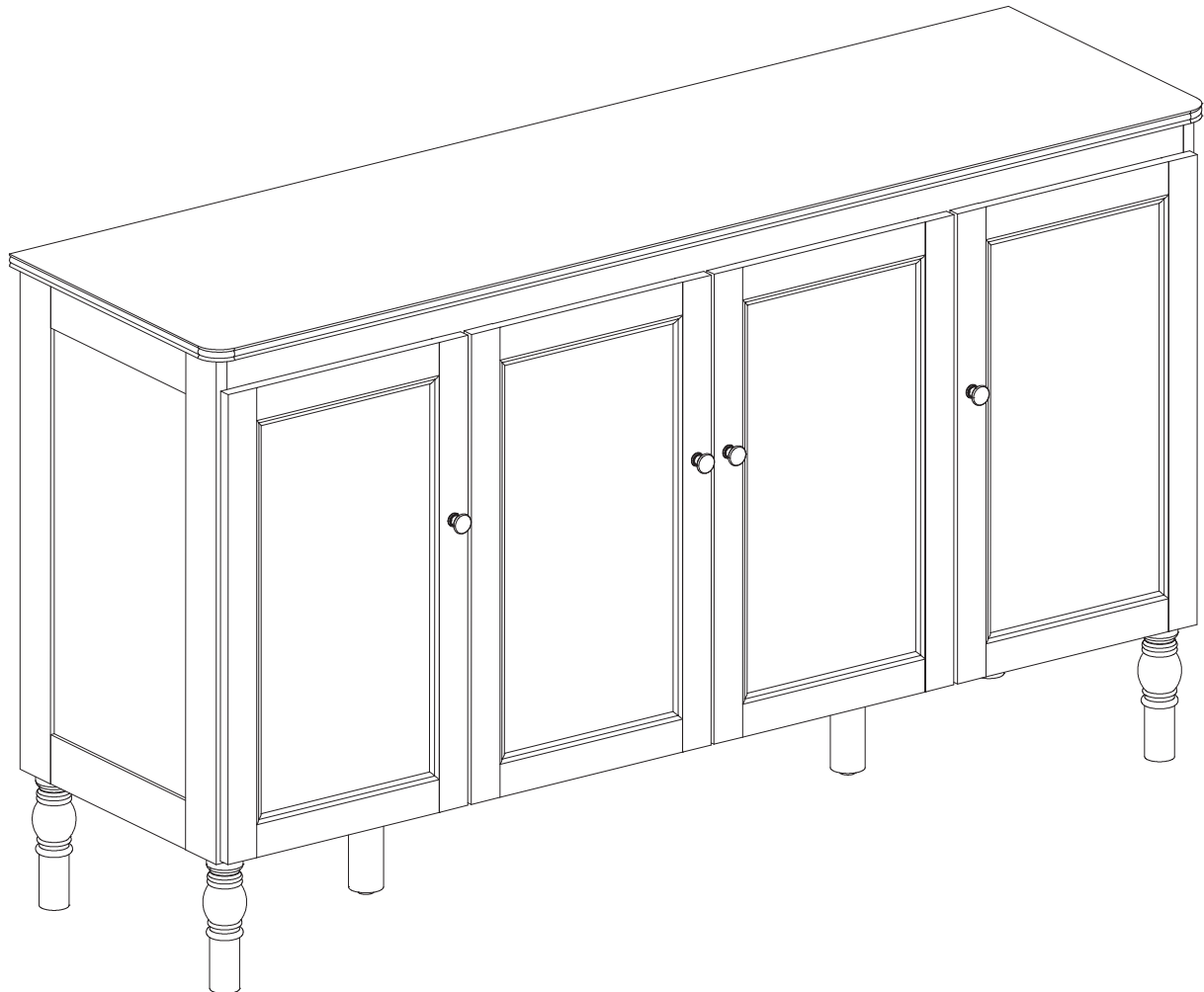
LIVING | BEDROOM | DINING

Range Name: Ruby

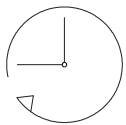
Box dimensions: W154xD51xH19 cm

Product dimensions: W140xD40xH79.5 cm

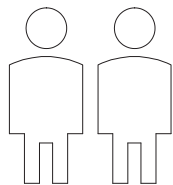
## 4 Door Sideboard



THIS INSTRUCTION BOOKLET CONTAINS IMPORTANT SAFETY INFORMATION.  
PLEASE READ AND KEEP FOR FUTURE REFERENCE.



Up to 1 hour  
assembly time



Two person  
assembly



Electric screwdriver  
prohibited

This product is intended for domestic use only, not for commercial purposes.

V-1.0  
P-1-13

# IMPORTANT

## ASSEMBLY TIP

Before you begin, it's best to identify all of the parts and fittings to build your sideboard frame. We advise laying these out on the floor to check you have everything, and to familiarise yourself with all of the parts and fittings before building.

## TOP TIP

We recommend that you assemble the sideboard in the room you'd like it to be located. This will help prevent any risk of damage to the frame whilst moving it.

## SAFETY AND CARE

1. It's important to ensure children and animals are kept away from the assembly area, as there are small components used in this product which could present a choking hazard. All plastic and wrapping materials should also be kept away from children and animals to prevent any risk of suffocation.
2. Do not stand on your product.
3. Always use the item on firm level ground, ensuring all legs remain in contact with the ground.
4. Place heaviest items in the lowest drawers.
5. Do not set TV or other heavy objects on top of the product.
6. Children should always be under supervision whilst using this product. Never allow children to climb on the drawers.
7. Never keep more than one drawer open at the same time.
8. In order to prevent overturning, this product must be used with the wall attachment device provided.
9. Serious or fatal crushing injuries can occur from tipping furniture.

## HELP AND SUPPORT

Please contact our customer service team on 0113 519 0311 if you have any questions or issues with your purchase.

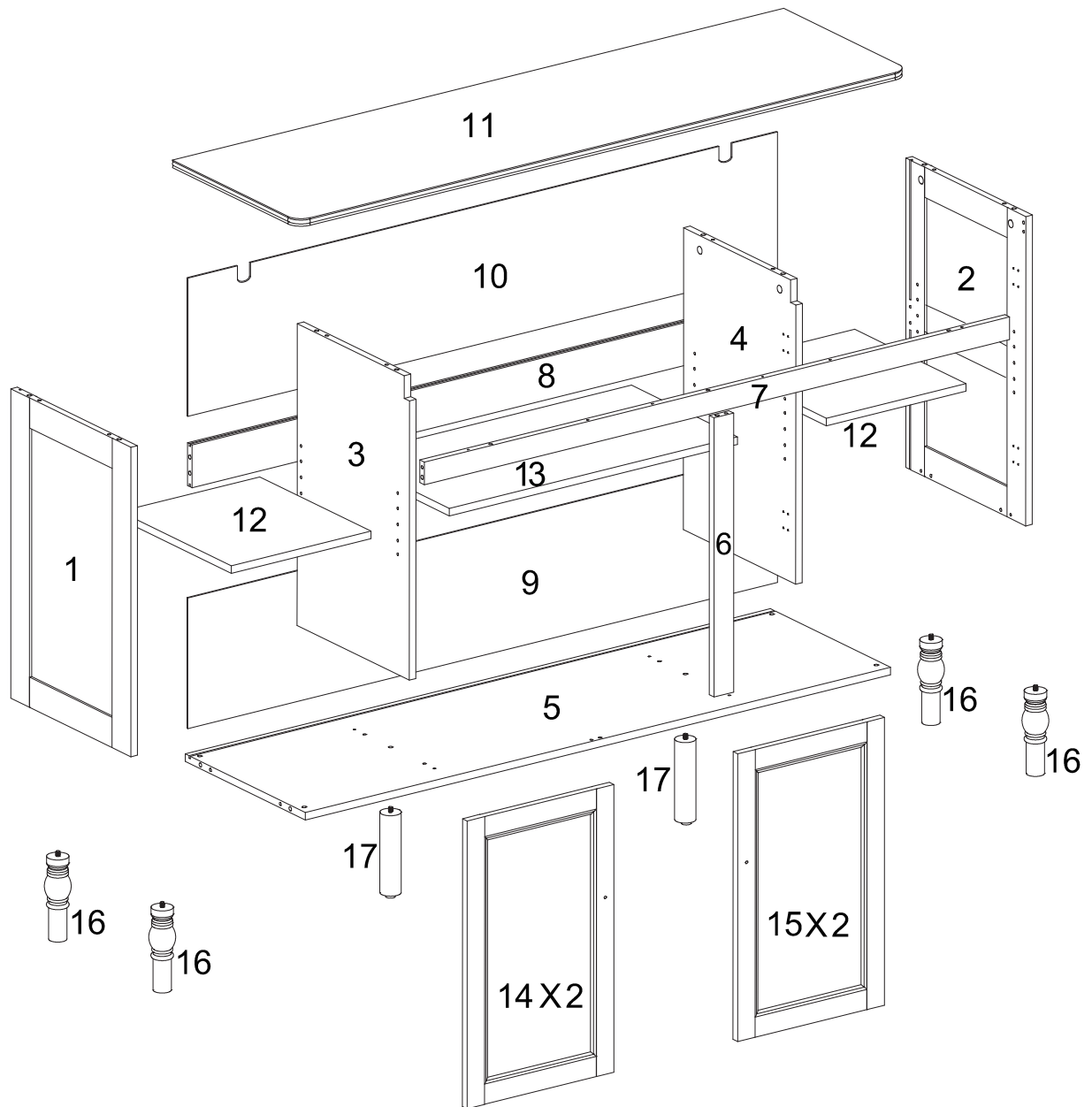
## RECYCLING

Please ensure that packaging is disposed of in a safe and environmentally friendly way, and recycle where possible. Please keep your assembly instructions safe to refer back to in the future.

## CARE AND MAINTENANCE

1. Only clean using a damp cloth, do not use bleach or abrasive cleaners as they may damage the finish over time.
2. Do not use a very wet cloth or allow any liquid to contact with the surface for a long period of time. Wipe any spillage immediately. Absorption can cause wood to warp or finishes to de-laminate.
3. Do not scrub or rub the surface when cleaning.
4. Do not drag the sideboard when moving, lift it off the floor instead.
5. Use a placemat or a coaster when putting hot items (e.g. hot drinks and dishes) on the wood surface.
6. It is not recommended to place the item next to sources of heat such as radiators, fires or directly exposed to sunlight. This may cause the wood to crack, split or fade due to the heat and humidity.
7. Wood will mellow and change colour over time, we recommend that ornaments and items placed on the surface to be moved regularly to prevent uneven mellowing.
8. Regularly check all fixings to ensure none have come loose. Re-tighten if necessary.
9. Avoid sharp items such as a screwdriver or any pointy tools.

# Parts list



## Parts list

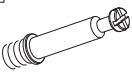


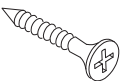
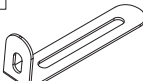


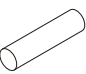

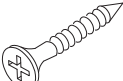
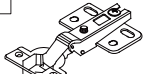

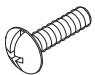
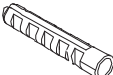



Before you begin building your sideboard, please take a moment to read through the instructions and make sure that you have all the relevant parts listed on the parts check list.

Part Number	Part Description	Quantity	Box No
1	Left Side Panel	1 pc	Box 1
2	Right Side Panel	1 pc	Box 1
3	Left Middle Panel	1 pc	Box 1
4	Right Middle Panel	1 pc	Box 1
5	Bottom Panel	1 pc	Box 1
6	Centre Support Bar	1 pc	Box 1
7	Front Support Bar	1 pc	Box 1
8	Back Support Bar	1 pc	Box 1
9	Lower Back Panel	1 pc	Box 1

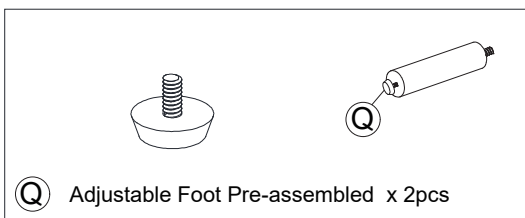
Part Number	Part Description	Quantity	Box No
10	Upper Back Panel	1 pc	Box 1
11	Top Panel	1 pc	Box 1
12	Shelf Side Panel	2 pcs	Box 1
13	Shelf Centre Panel	1 pc	Box 1
14	Door Left Panel	2 pcs	Box 1
15	Door Right Panel	2 pcs	Box 1
16	Leg	4 pcs	Box 1
17	Centre Leg	2 pcs	Box 1

## Fittings

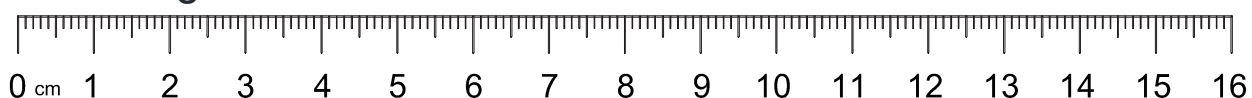
Please check you have all the fittings listed below with your product in box 1.

<b>A</b>  M5*35mm Cam Lock Screw 20pcs+2pcs extra	<b>B</b>  Ø15*9mm Cam Lock 20pcs+2pcs extra	<b>C</b>  Ø8*30mm Dowel 23pcs+2pcs extra	<b>D</b>  M4*40mm Screw 2pcs	<b>E</b>  Wall Bracket 2pcs	<b>F</b>  Plastic Buckle 16pcs+2pcs extra
<b>G</b>  Handle 4pcs	<b>H</b>  Shelf Support 12pcs+1pc extra	<b>I</b>  M4*14mm Screw 48pcs+4pcs extra	<b>J</b>  M4*45mm Screw 10pcs+1pc extra	<b>K</b>  Hinge 8pcs	<b>L</b>  M3*12mm Screw 16pcs+2pcs extra
<b>M</b>  M4*20mm Bolt 4pcs	<b>N</b>  M8*40mm Wall Anchor 2pcs	<b>O</b>  M4*12mm Screw 4pcs	<b>P</b>  Cover 8pcs+1pc extra	<b>R</b>  EVA Mat 4pcs	

## Pre-assembled Fittings



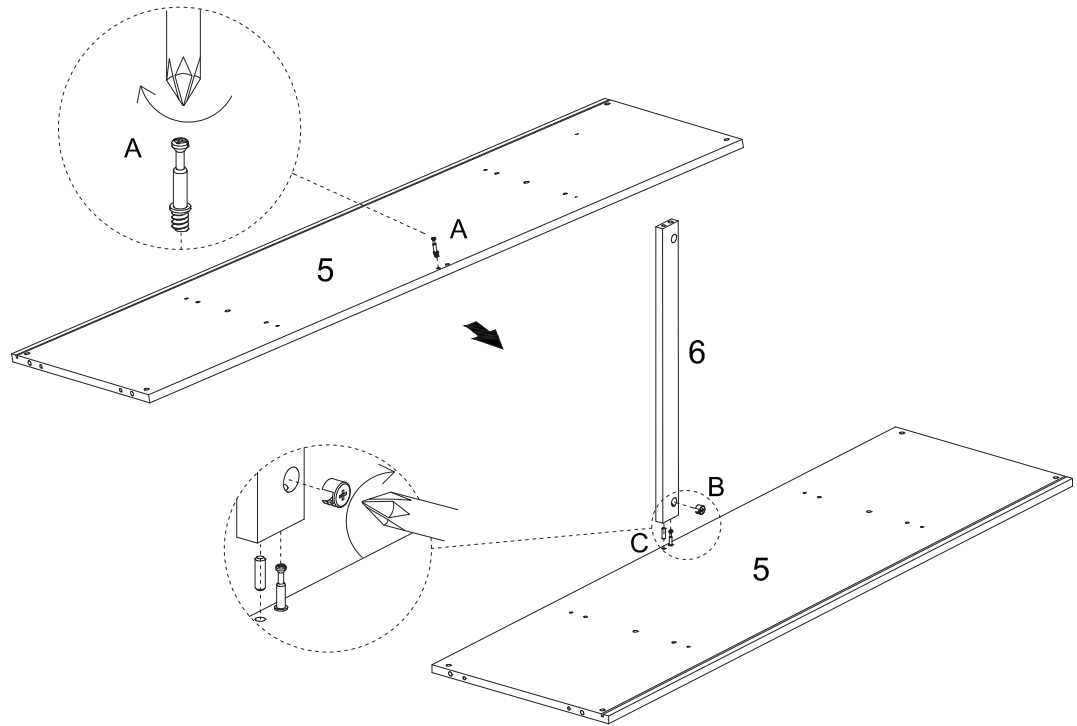
## Bolt Length Ruler :

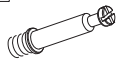




## Tool required

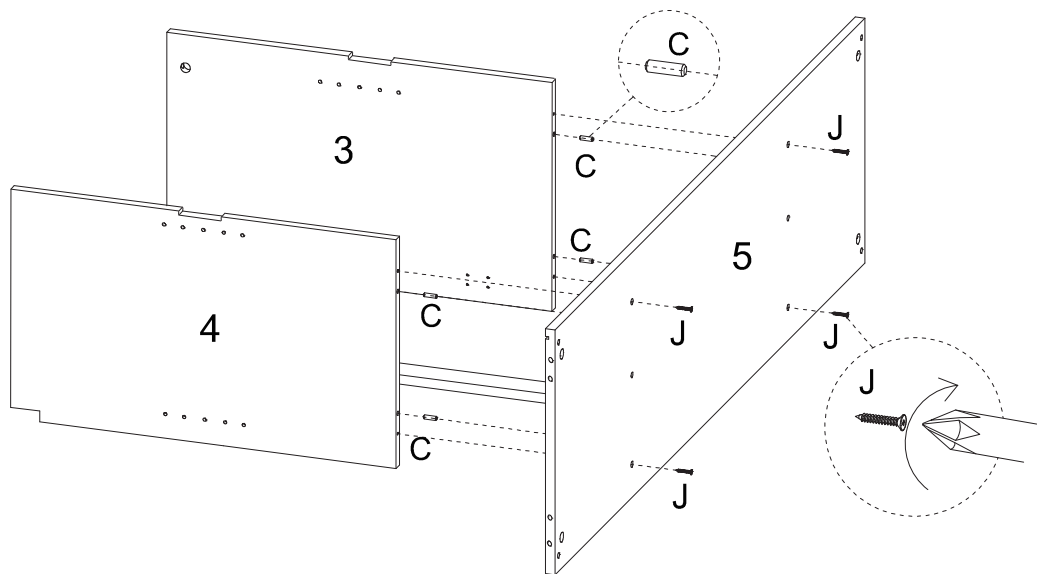



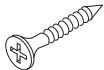
## 1. Attach Centre Support Bar (6) to Bottom Panel (5).



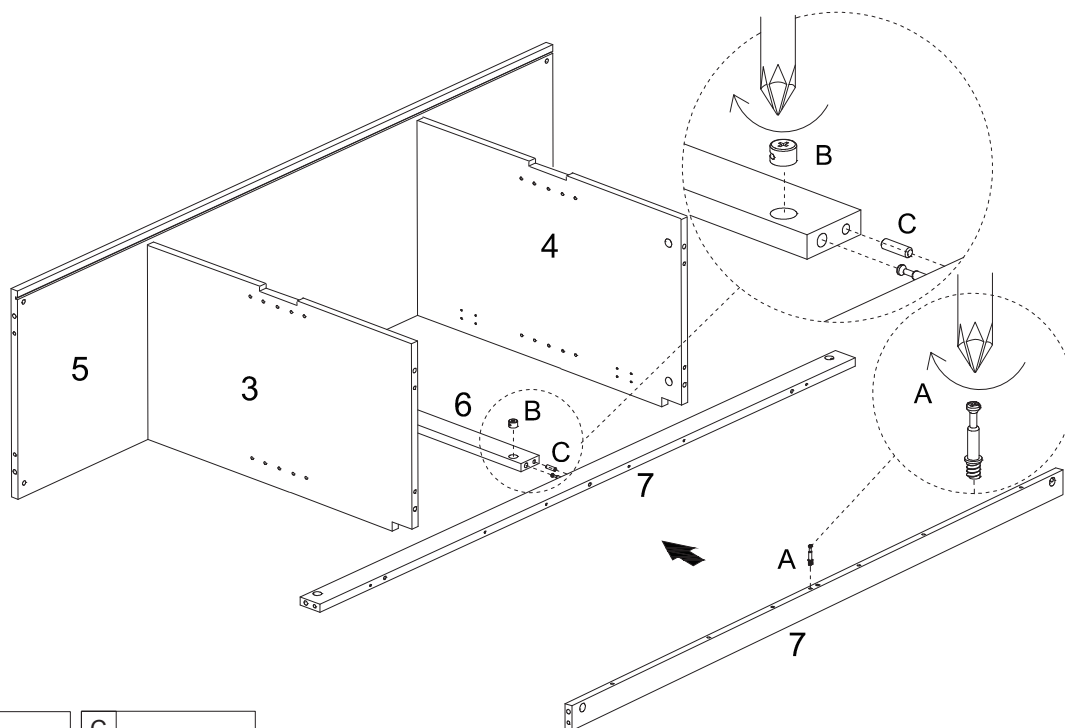
A	B	C
 M5*35mm Cam Lock Screw 1pc	 Ø15*10mm Cam Lock 1pc	 Ø8*30mm Dowel 1pc

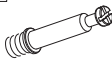


## 2. Attach Left Middle Panel (3) and Right Middle Panel (4) to Bottom Panel (5).



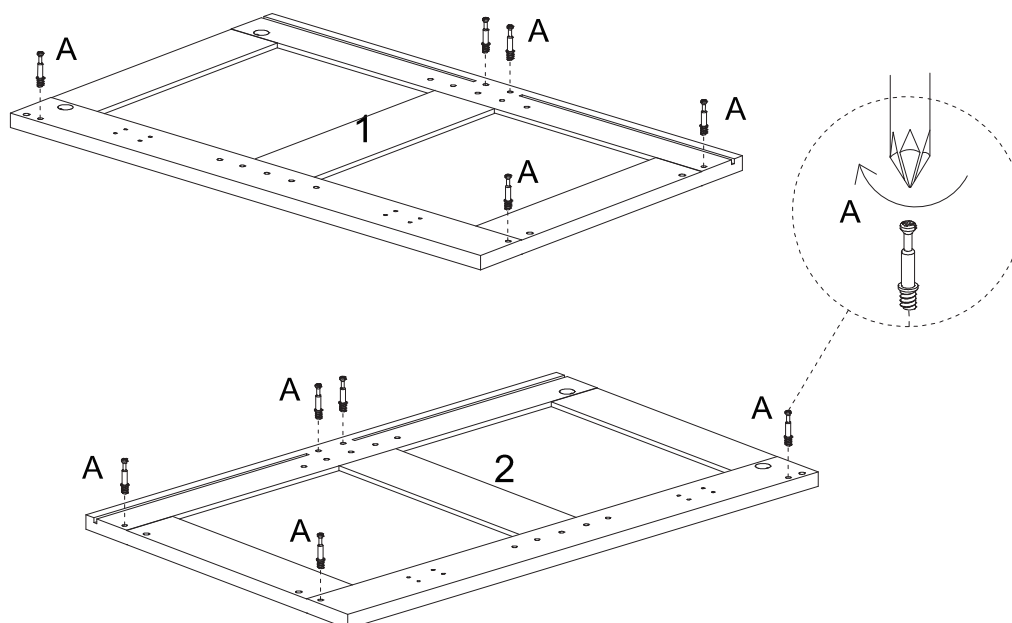
C	J
 Ø8*30mm Dowel 4pcs	 M4*45mm Screw 4pcs

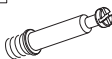
### 3. Attach Front Support Bar (7) to Centre Support Bar (6).



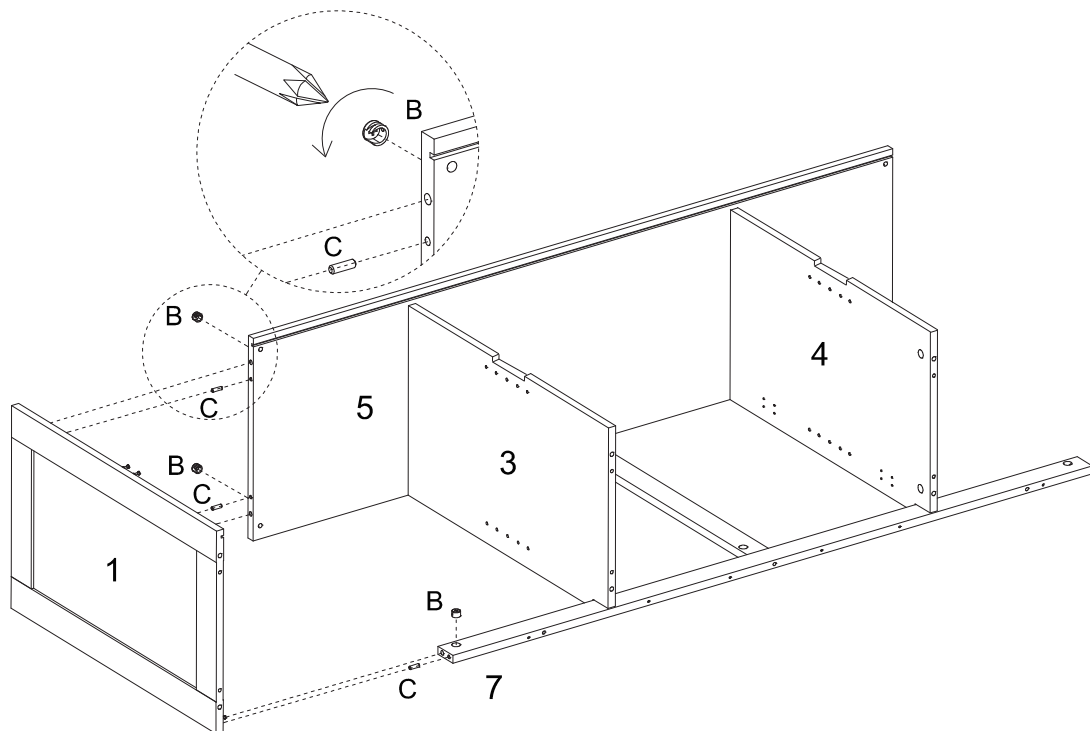
<p><b>A</b></p> 	<p><b>B</b></p> 	<p><b>C</b></p> 
<p>M5*35mm Cam Lock Screw 1pc</p>	<p>Ø15*10mm Cam Lock 1pc</p>	<p>Ø8*30mm Dowel 1pc</p>



### 4. Attach Cam Lock Screw to Left Side Panel (1) and Right Side Panel (2).



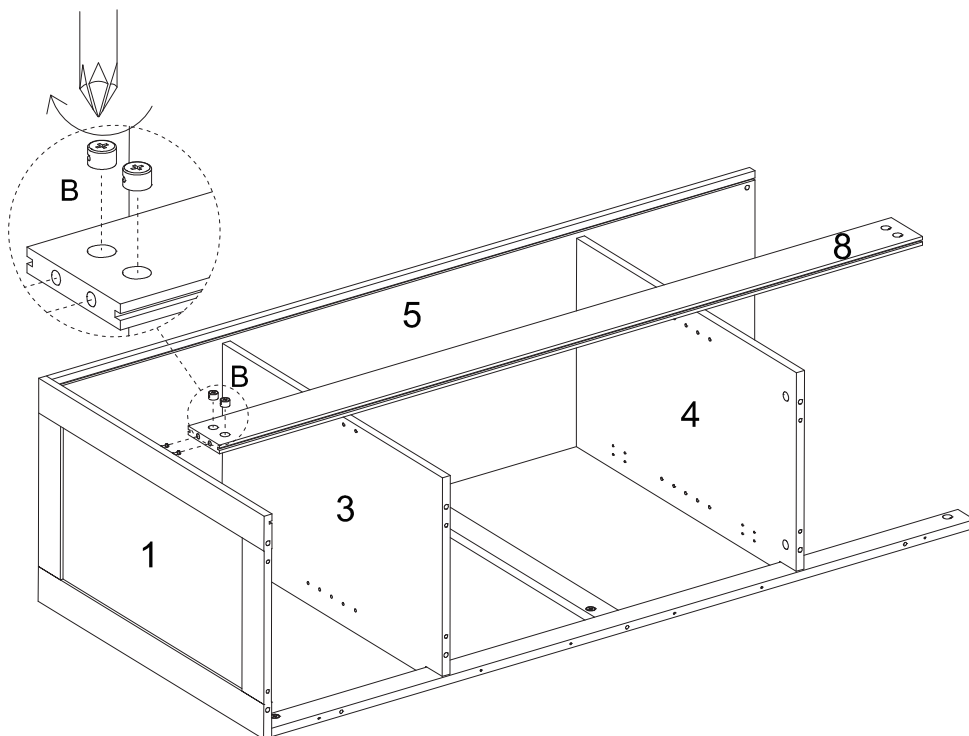
<p><b>A</b></p> 
<p>M5*35mm Cam Lock Screw 10pcs</p>


5. Attach Left Side Panel (1) to Bottom Panel (5) and Front Support Bar (7).



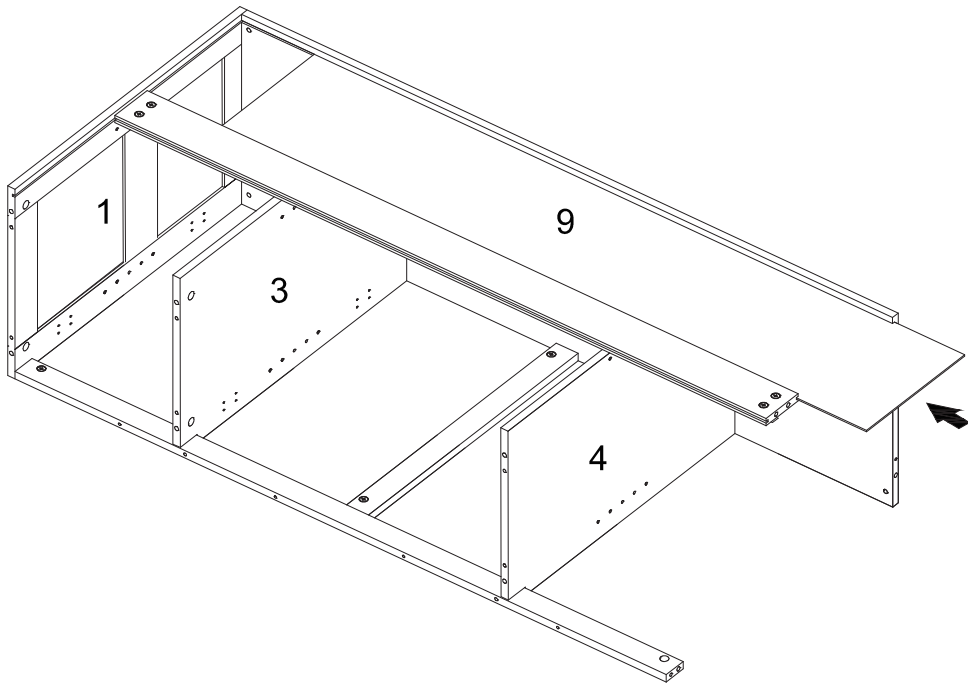
<b>B</b>		<b>C</b>	
Ø15*10mm Cam Lock		Ø8*30mm Dowel	
3pcs		3pcs	

6. Attach Back Support Bar (8) to Left Side Panel (1).

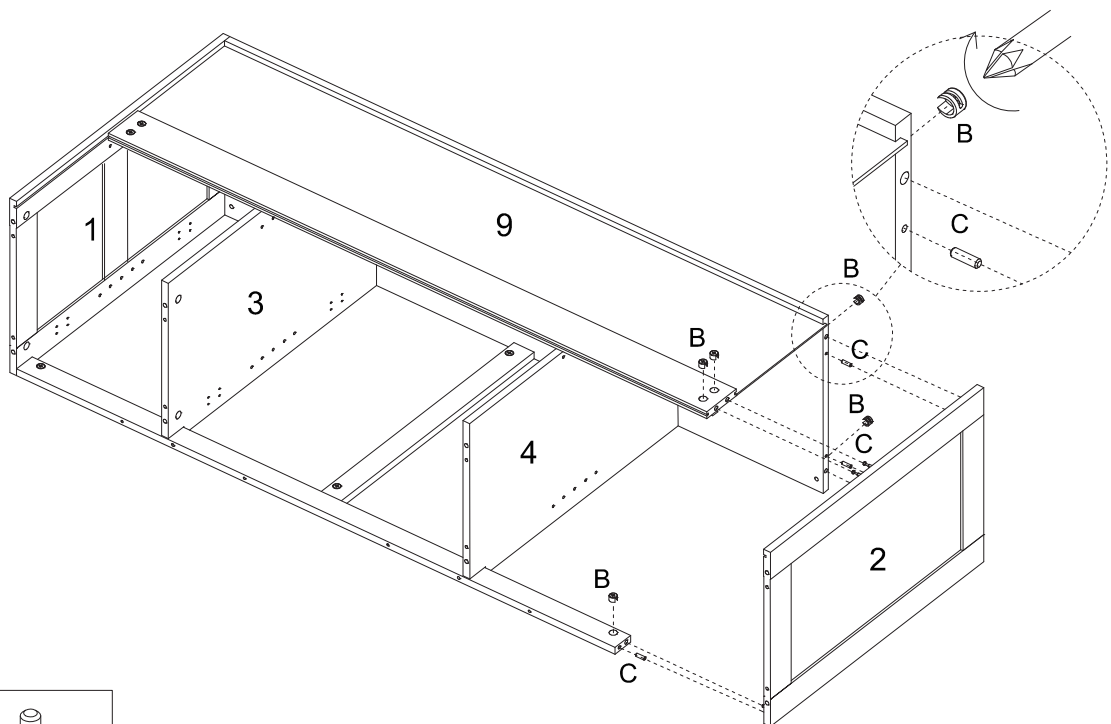




<b>B</b>	
Ø15*10mm Cam Lock	
2pcs	

7. Insert Lower Back Panel (9) to the Frame.

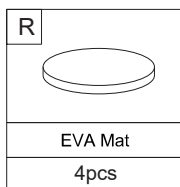
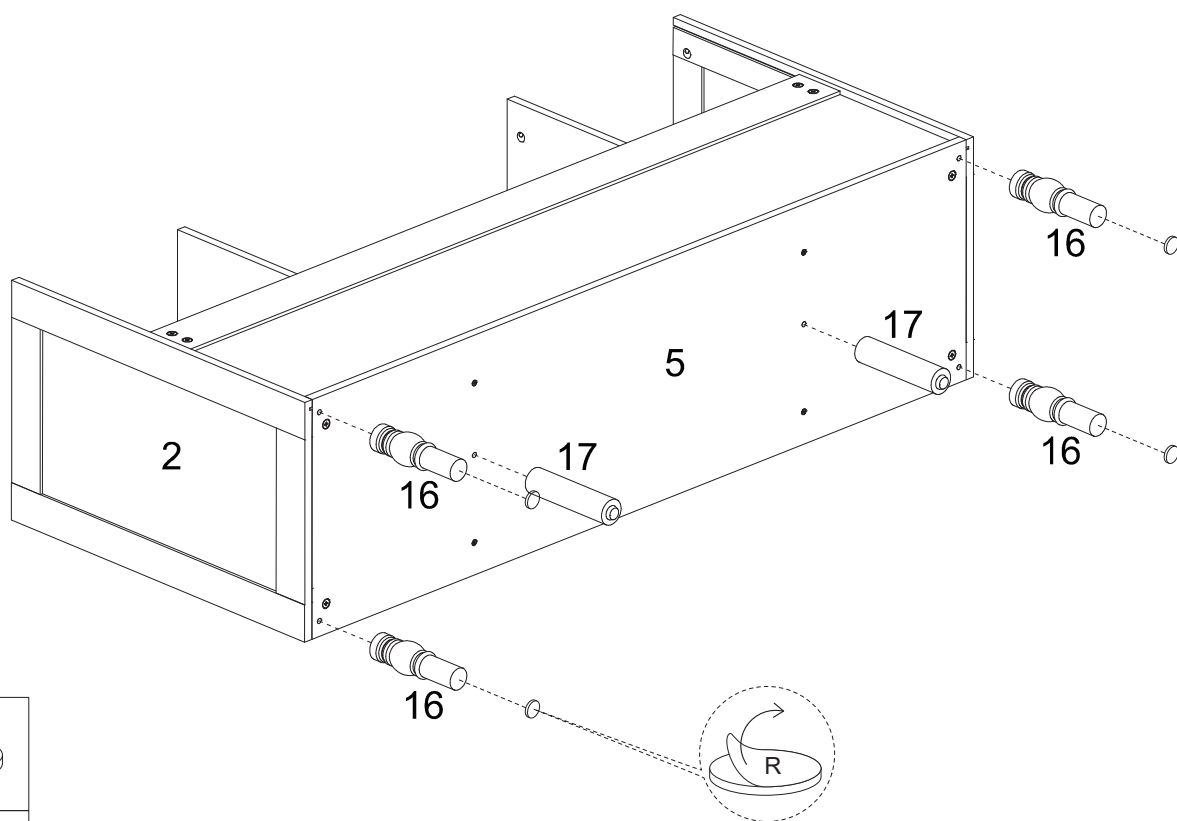


8. Attach Right Side Panel (2) to the Frame.

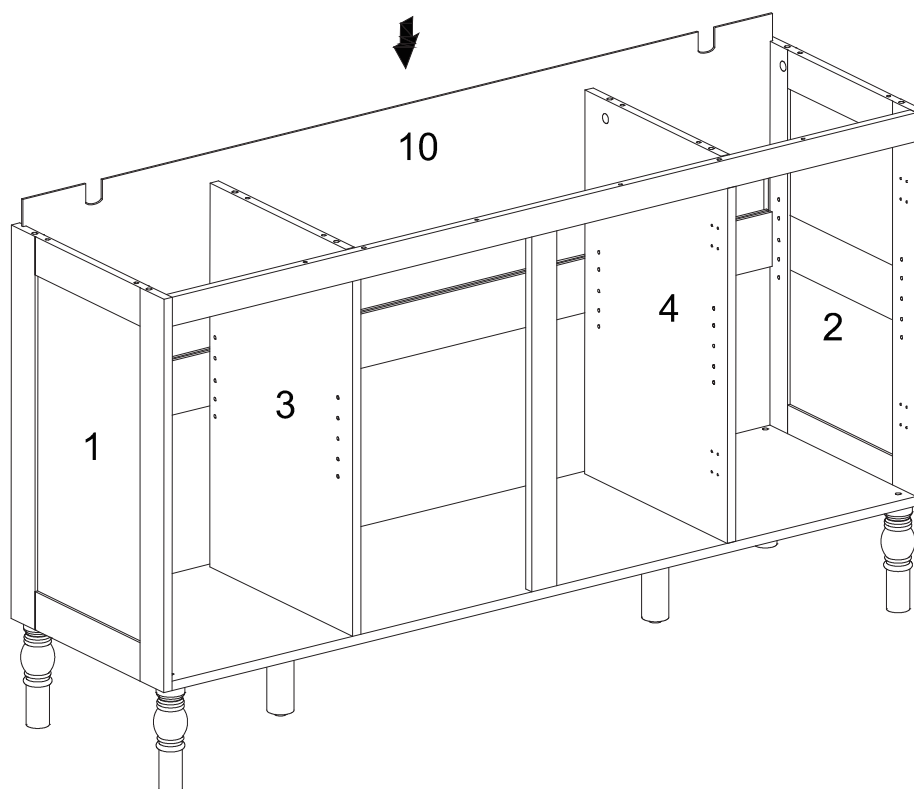


<b>B</b>		<b>C</b>	
Ø15*10mm Cam Lock		Ø8*30mm Dowel	
5pcs		3pcs	

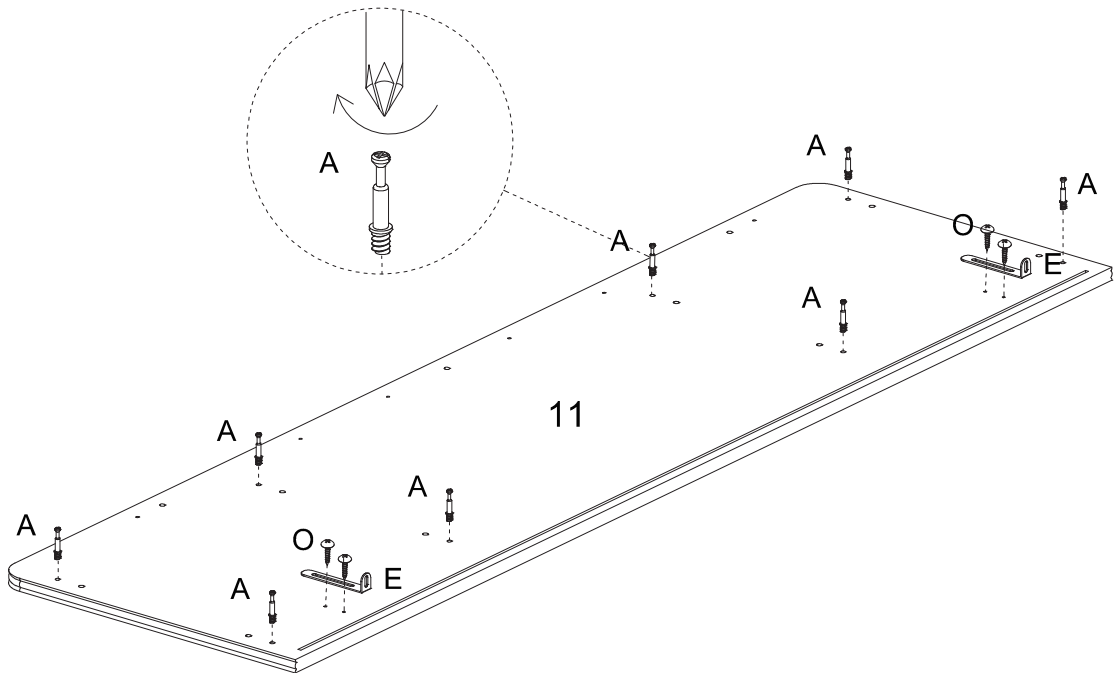
9. Attach the Legs (16) and Centre Legs (17) to the Frame.

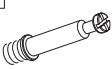
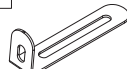



10. Slide Upper Back Panel (10) into the Frame.

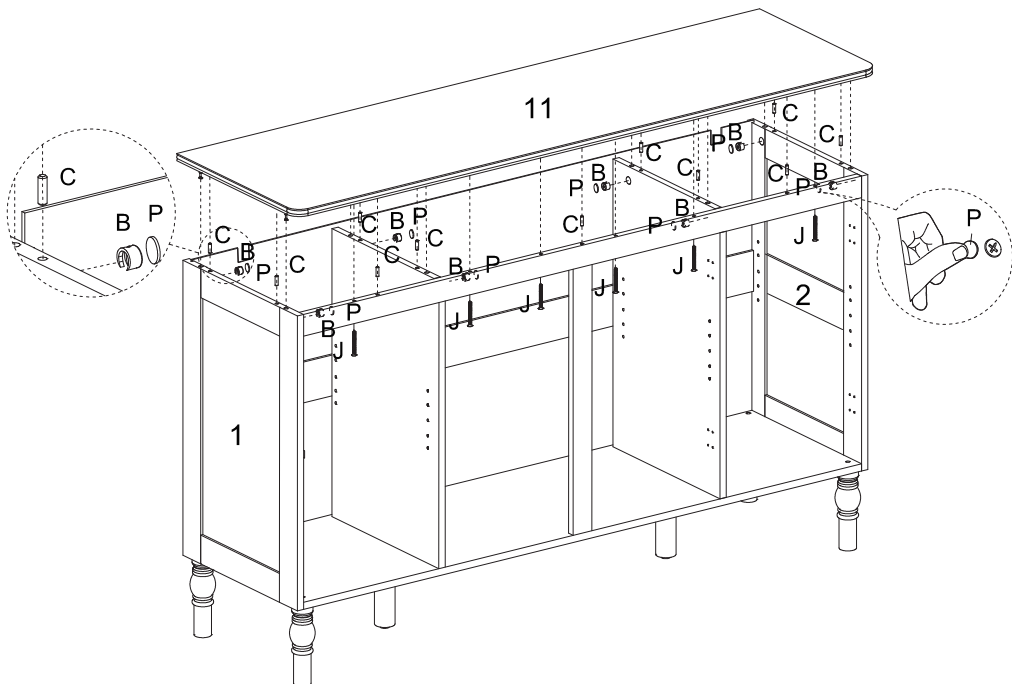




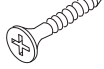

## 11. Attach the Wall Brackets and Cam Lock Screws to Top Panel (11).



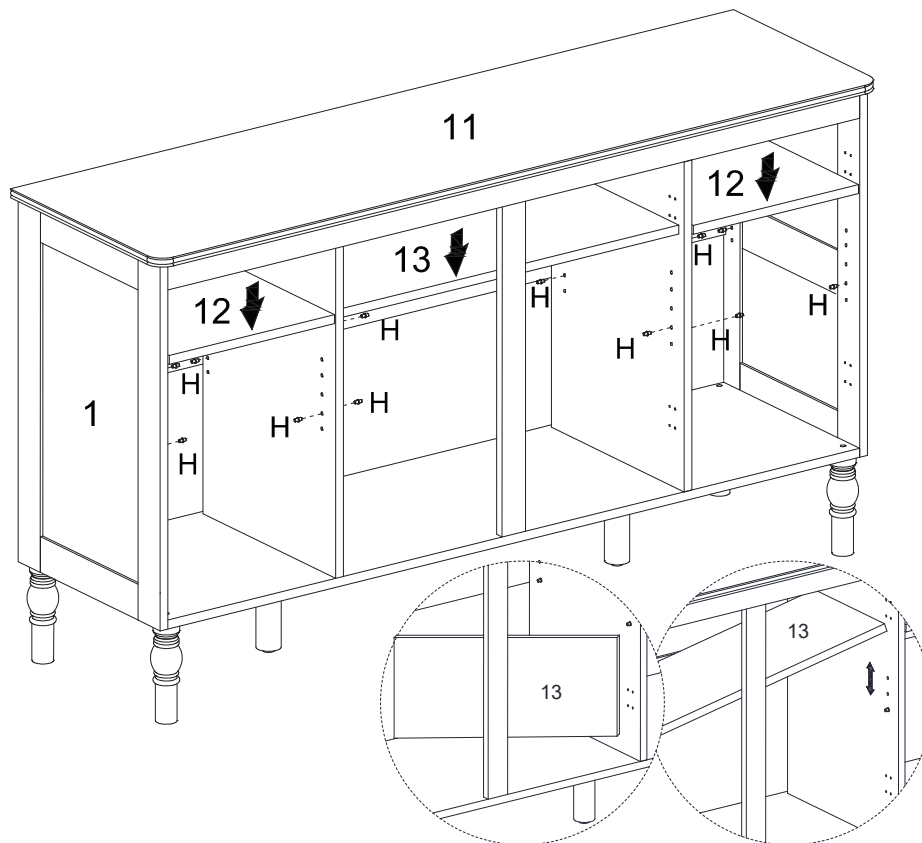
		
M5*35mm Cam Lock Screw 8pcs	Wall Bracket 2pcs	M4*12mm Screw 4pcs

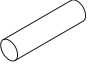
## 12. Attach Top Panel (11) to the Frame.



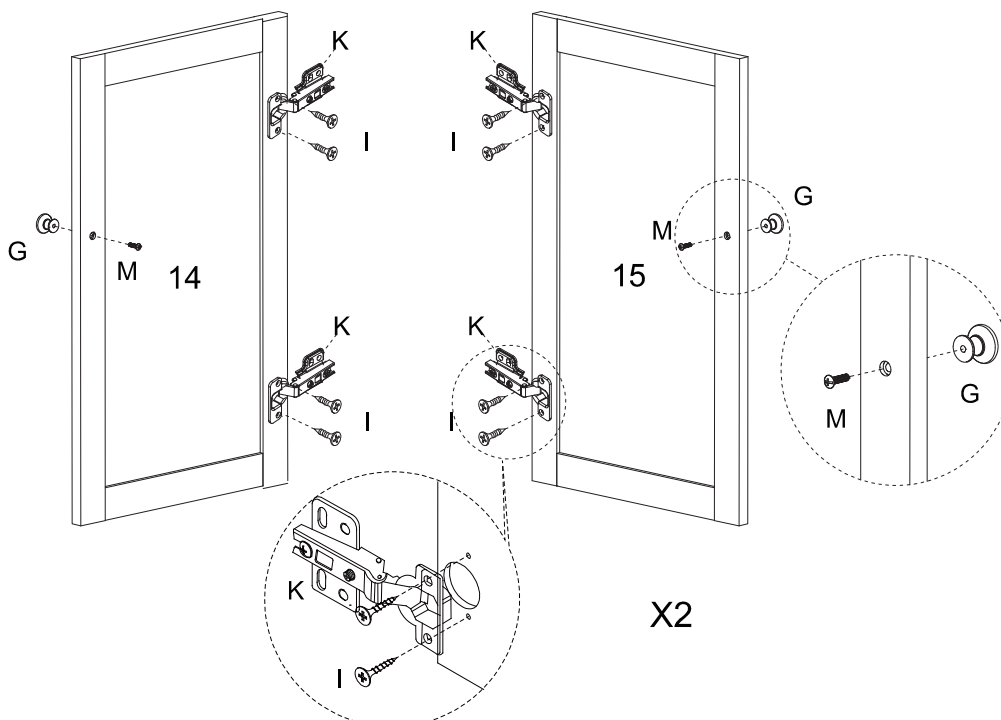
			
Ø15*10mm Cam Lock 8pcs	Ø8*30mm Dowel 11pcs	M4*45mm Screw 6pcs	Cover 8pcs



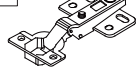

13. Attach the Shelf Support and put Shelf Panels (12,13) into the Frame.



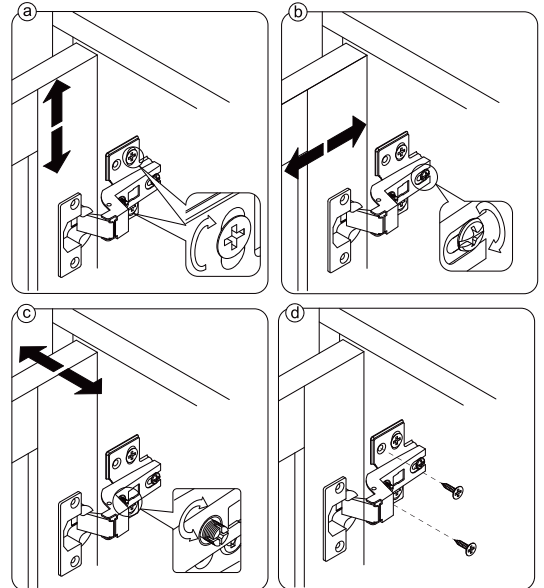
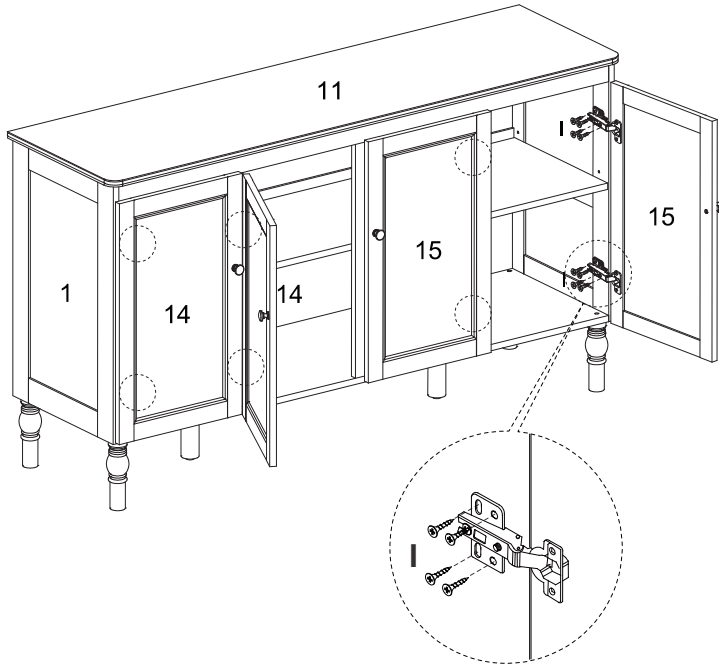
H	
Shelf Support	
12pcs	


14. Attach the Hinges and Handle to Door Panels (14,15).



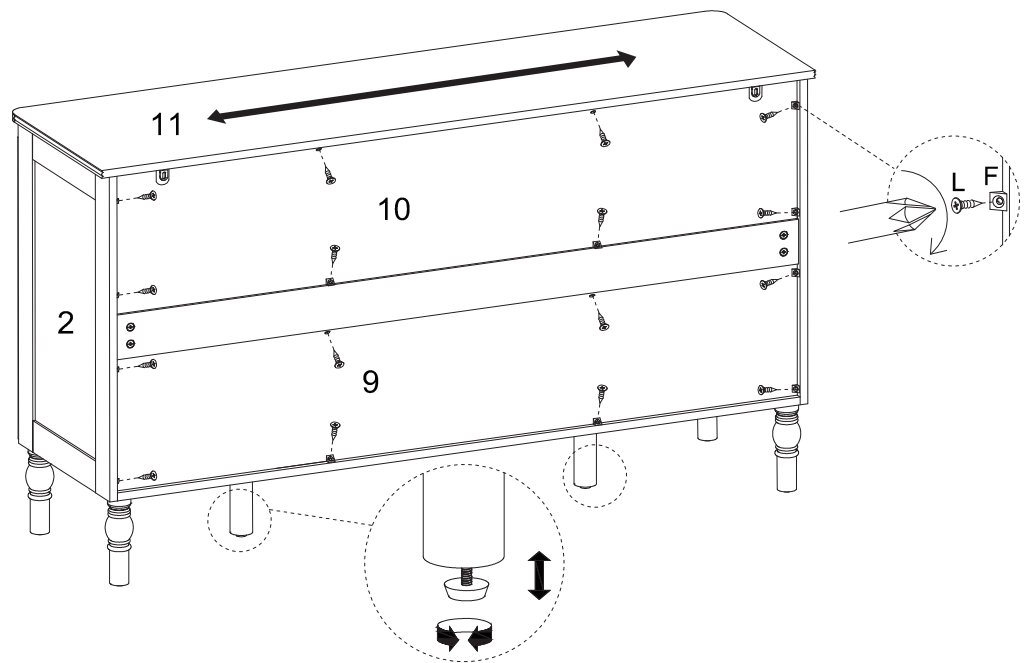
G		I		K		M	
Handle		M4*14mm Screw		Hinge		M4*20mm Bolt	
4pcs		16pcs		8pcs		4pcs	



## 15. Attach Door Panels (14,15) to the Frame.



I	
M4*14mm Screw	
32pcs	

## 16. Attach the plastic buckles on back. Before securing them, manually adjust the frame to ensure the drawers are properly aligned, even, and parallel. Adjust the center leg if necessary.



F		L	
Plastic Buckle		M3*12mm Screw	
16pcs		16pcs	

17. Fix the wall bracket to the wall by drilling holes, inserting wall anchors, and securing it with screws.

