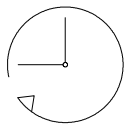


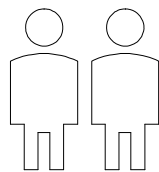
## 3 Door Wardrobe



THIS INSTRUCTION BOOKLET CONTAINS IMPORTANT SAFETY INFORMATION.  
PLEASE READ AND KEEP FOR FUTURE REFERENCE.



Up to 90 minutes  
assembly time



Two person  
assembly



Electric screwdriver  
prohibited

This product is intended for domestic use only, not for commercial purposes.

V-1.0

P-1/23

# Important

## Assembly Tip

Before you begin, we advise laying everything out on a clean and soft level surface to avoid damaging the unit or your floor. It's best to identify all of the parts and fittings to build your 3 door wardrobe, and to familiarise yourself with all of the parts and fittings before building.

## Top Tip

We recommend that you build your new 3 door wardrobe in the room you'd like it to be located. This will help prevent any risk of damage to the product whilst moving it.

## Safety and Care

1. It's important to ensure children and animals are kept away from the assembly area, as there are small components used in this 3 door wardrobe which could present a choking hazard.  
All plastic and wrapping materials should also be kept away from children and animals to prevent any risk of suffocation.
2. Do not stand on your product.
3. Always use the item on firm level ground, ensuring all legs remain in contact with the ground.
4. Place heaviest items in the lowest drawers.
5. Do not set TV or other heavy objects on top of the product.
6. Children should always be under supervision whilst using this product. Never allow children to climb on the drawers.
7. Never keep more than one drawer open at the same time.
8. The installation of anti tipping kit to secure your furniture is strongly suggested.
9. Serious or fatal crushing injuries can occur from tipping furniture.

## Help and Support

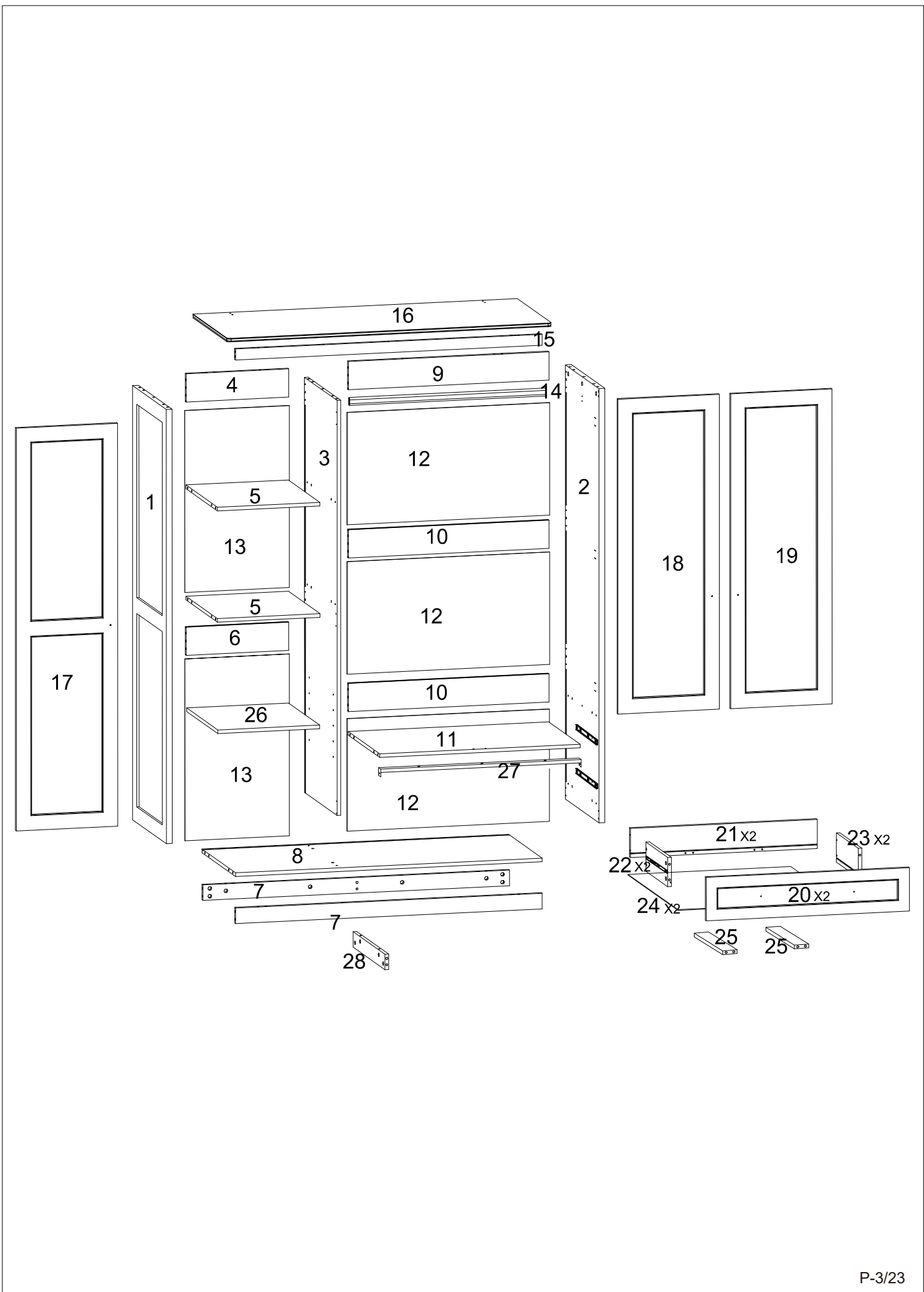
Please contact our customer service team on 0113 519 0311 if you have any questions or issues with your purchase.

## Recycling

Please ensure that packaging is disposed of in a safe and environmentally friendly way, and recycle where possible. Please keep your assembly instructions safe to refer back to in the future.

# Care and Maintenance

1. Only clean using a damp cloth, do not use bleach or abrasive cleaners as they may damage the finish over time.
2. Do not scrub or rub the surface when cleaning.
3. Do not use a very wet cloth or allow any liquid to contact with the veneer for a long period of time. Wipe any spillage immediately. Absorption can cause wood to warp or finishes to de-laminate.
4. Do not drag the 3 door wardrobe when moving, lift it off the floor instead.
5. Use a placemat or a coaster when putting hot items (e.g. hot drinks and dishes) on the wood surface.
6. It is not recommended to place the item next to sources of heat such as radiators, fires or directly exposed to sunlight. This may cause the wood to crack, split or fade due to the change of the humidity and temperature.
7. Wood will mellow and change colour over time, we recommend that ornaments and items placed on the surface to be moved regularly to prevent uneven mellowing.
8. Regularly check all fixings to ensure none have come loose. Re-tighten if necessary.
9. Avoid sharp items such as a screwdriver or any pointy tools.



## Parts list

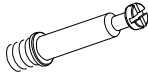

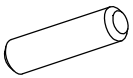

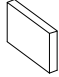
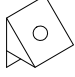






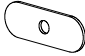
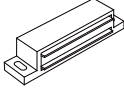


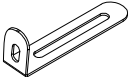
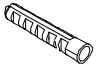
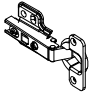
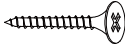
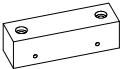


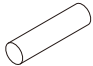
Before you begin building your product, please take a moment to read through the instructions and make sure that you have all the relevant parts listed on the parts check list.

| Part Number | Part Description                         | Quantity | Box No |
|-------------|------------------------------------------|----------|--------|
| 1           | Left Panel                               | 1 pc     | Box1   |
| 2           | Right Panel<br>With Slide Pre-assembled  | 1 pc     | Box1   |
| 3           | Middle Panel<br>With Slide Pre-assembled | 1 pc     | Box1   |
| 4           | Upper Left Support Bar                   | 1 pc     | Box2   |
| 5           | Upper Left Shelf Panel                   | 2 pcs    | Box2   |
| 6           | Lower Left Support Bar                   | 1 pc     | Box2   |
| 7           | Lower Support Panel                      | 2 pcs    | Box2   |
| 8           | Bottom Panel                             | 1 pc     | Box2   |
| 9           | Upper Right Support Bar                  | 1 pc     | Box2   |
| 10          | Lower Right Support Bar                  | 2 pcs    | Box2   |
| 11          | Right Shelf Panel                        | 1 pc     | Box2   |
| 12          | Right Back Panel                         | 3 pcs    | Box2   |
| 13          | Left Back Panel                          | 2 pcs    | Box2   |
| 14          | Hanging Bar                              | 1 pc     | Box2   |

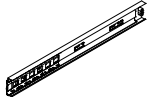
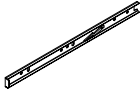
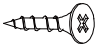
| Part Number | Part Description                              | Quantity | Box No |
|-------------|-----------------------------------------------|----------|--------|
| 15          | Upper Front Support Bar                       | 1 pc     | Box1   |
| 16          | Top Panel                                     | 1 pc     | Box2   |
| 17          | Left Door                                     | 1 pc     | Box1   |
| 18          | Middle Door                                   | 1 pc     | Box2   |
| 19          | Right Door                                    | 1 pc     | Box2   |
| 20          | Drawer Front                                  | 2 pcs    | Box2   |
| 21          | Drawer Back Side                              | 2 pcs    | Box2   |
| 22          | Drawer Left Side<br>With Slide Pre-assembled  | 2 pcs    | Box1   |
| 23          | Drawer Right Side<br>With Slide Pre-assembled | 2 pcs    | Box1   |
| 24          | Drawer Bottom                                 | 2 pcs    | Box2   |
| 25          | Drawer support bar                            | 4 pcs    | Box2   |
| 26          | Lower Left Shelf Panel                        | 1 pc     | Box2   |
| 27          | Shelf Panel Support Bar                       | 1 pc     | Box1   |
| 28          | Shelf Panel Support Bar                       | 1 pc     | Box1   |

# Fittings checklist

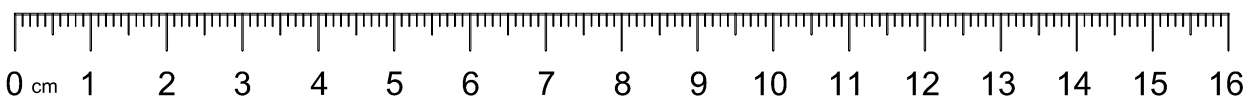
Please check you have all the fittings listed below with your product:

|                                                                                                                                        |                                                                                                                                         |                                                                                                                                            |
|----------------------------------------------------------------------------------------------------------------------------------------|-----------------------------------------------------------------------------------------------------------------------------------------|--------------------------------------------------------------------------------------------------------------------------------------------|
|  <p><b>(A)</b> M5x35mm Cam Bolt x 89pcs(+4 extra)</p> |  <p><b>(B)</b> Ø15x10mm Cam Lock x 89pcs(+4 extra)</p> |  <p><b>(C)</b> Ø8x30mm Wood Dowel x 48pcs(+4 extra)</p> |
|  <p><b>(D)</b> M4x40mm Screw x 10pcs(+1 extra)</p>    |  <p><b>(E)</b> EVA Mat x 10pcs(+1 extra)</p>           |  <p><b>(F)</b> Plastic Buckle x 36pcs(+4 extra)</p>     |
|  <p><b>(G)</b> M4x14mm Screw x 66pcs(+4 extra)</p>    |  <p><b>(H)</b> M3x16mm Screw x 8pcs(+1 extra)</p>      |  <p><b>(I)</b> M3x12mm Screw x 42pcs(+4 extra)</p>      |
|  <p><b>(J)</b> Hinge x7pcs</p>                        |  <p><b>(K)</b> M4x20mm Screw x 3pcs</p>                |  <p><b>(L)</b> Cover x17pcs(+2 extra)</p>               |
|  <p><b>(M)</b> Door Strike Plate x6pcs</p>           |  <p><b>(N)</b> Door Catch x4pcs</p>                   |  <p><b>(O)</b> Tube Bracket x2sets</p>                 |
|  <p><b>(P)</b> M4x12mm Screw x4pcs</p>              |  <p><b>(Q)</b> Wall Bracket x2pcs</p>                |  <p><b>(R)</b> M8x40mm Wall Anchor x2pcs</p>          |
|  <p><b>(S)</b> Hinge x3pcs</p>                      |  <p><b>(T)</b> M4x30mm Screw x 21pcs(+2 extra)</p>   |  <p><b>(U)</b> Wooden Block x1pc</p>                  |
|  <p><b>(V)</b> M4x10mm Screw x 4pcs</p>             |  <p><b>(W)</b> Handle x7pcs</p>                      |  <p><b>(X)</b> Shelf Support x4pcs</p>                |


## Pre- assembled Fitting

|                                                                                                                         |                                                                                                                         |                                                                                                                                 |
|-------------------------------------------------------------------------------------------------------------------------|-------------------------------------------------------------------------------------------------------------------------|---------------------------------------------------------------------------------------------------------------------------------|
|  <p><b>(Y1)</b> Slide Rail x4pcs</p> |  <p><b>(Y2)</b> Slide Rail x4pcs</p> |  <p><b>(Z)</b> M3.5x12mm Screw x 24pcs</p> |
|-------------------------------------------------------------------------------------------------------------------------|-------------------------------------------------------------------------------------------------------------------------|---------------------------------------------------------------------------------------------------------------------------------|

## Bolt Length Ruler:

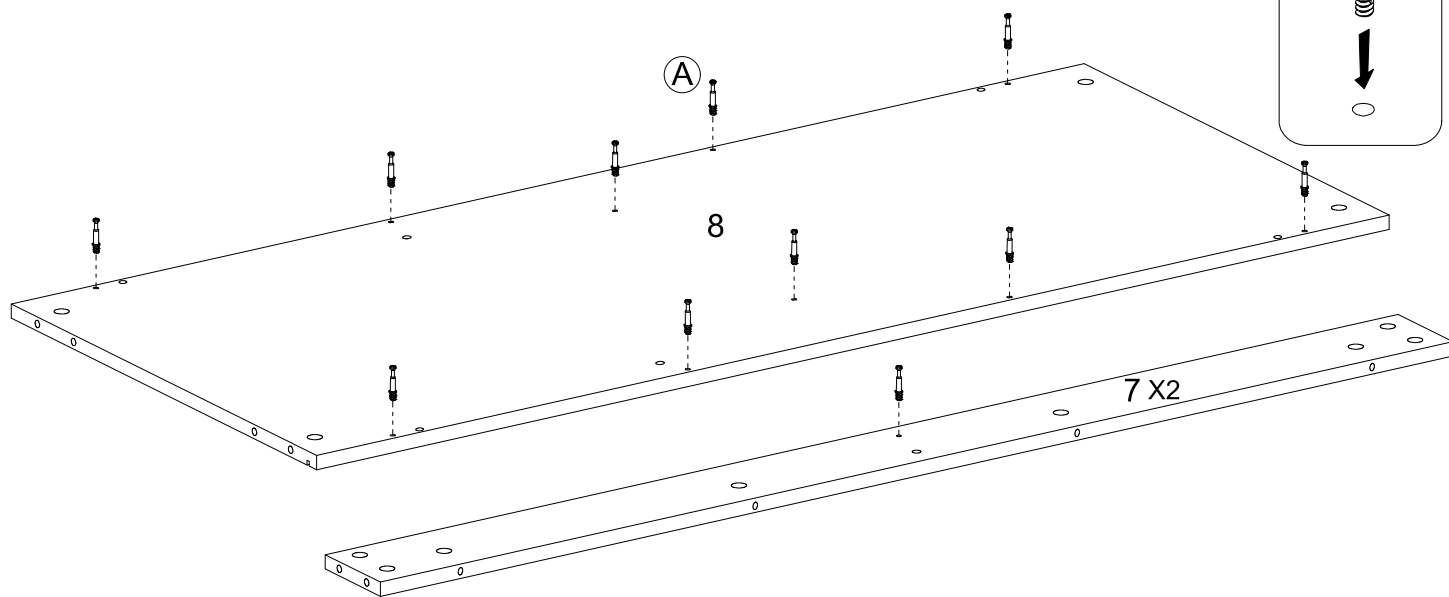


## Tool required

  Crosshead Screwdriver (not provided)

## Step 1: Attach the Cam Bolt to the Bottom Panel (8).

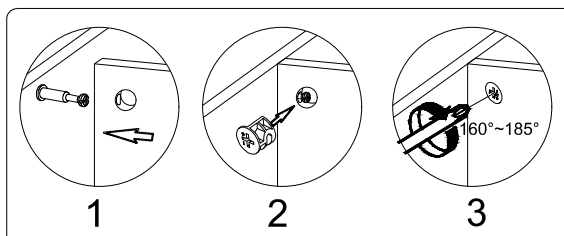
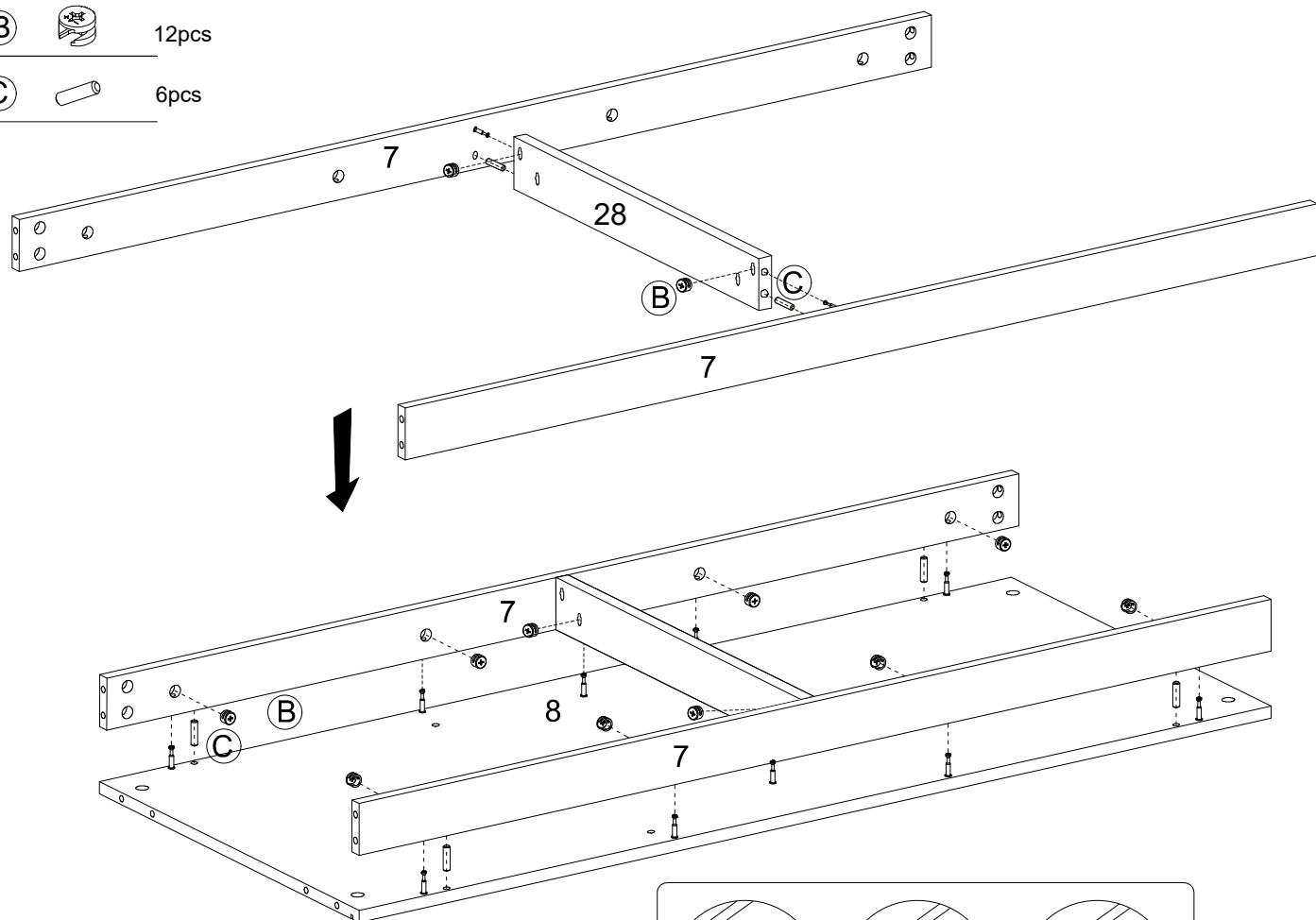
(A)  12pcs



## Step 2: Attach the Lower Support Bar (7) to the Bottom Panel (8).

(B)  12pcs


(C)  6pcs

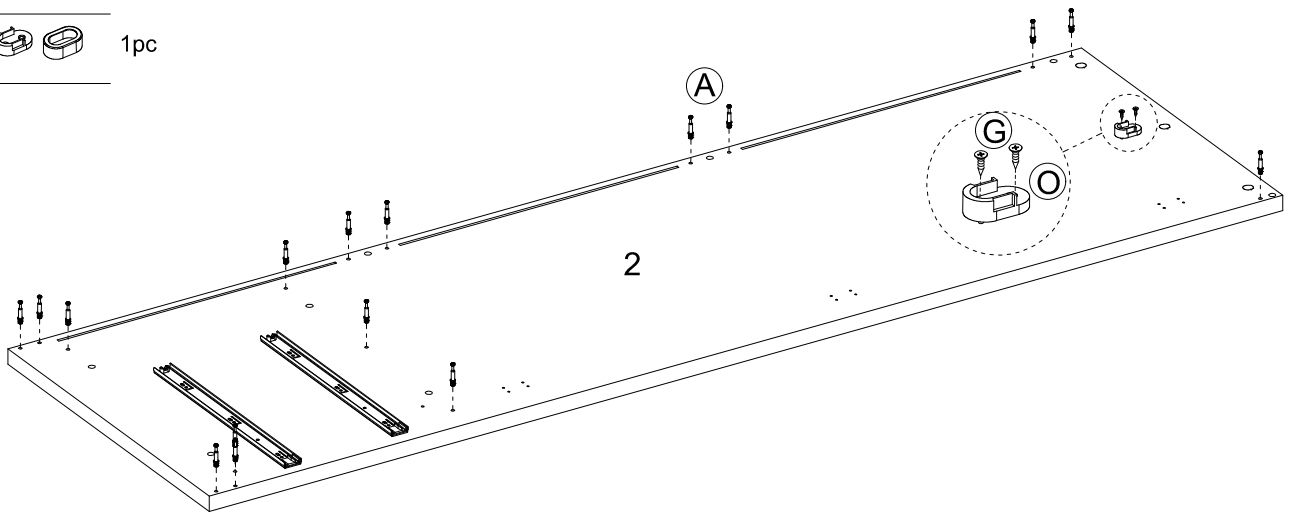


### Step 3: Attach fittings to the Right Panel (2).

(A)  16pcs

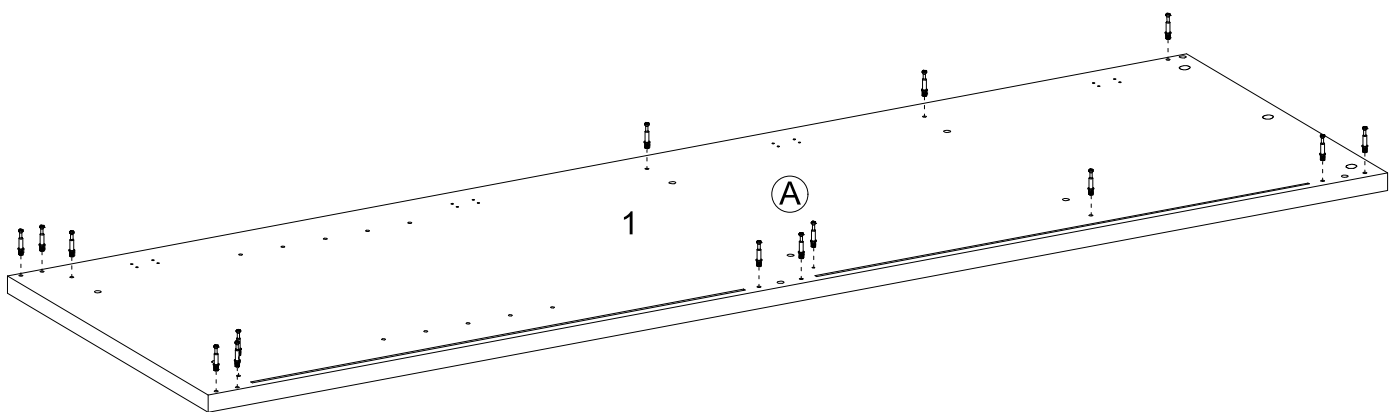
(G)  2pcs

(O)  1pc



### Step 4: Attach the Cam Bolt to the Left Panel (1).

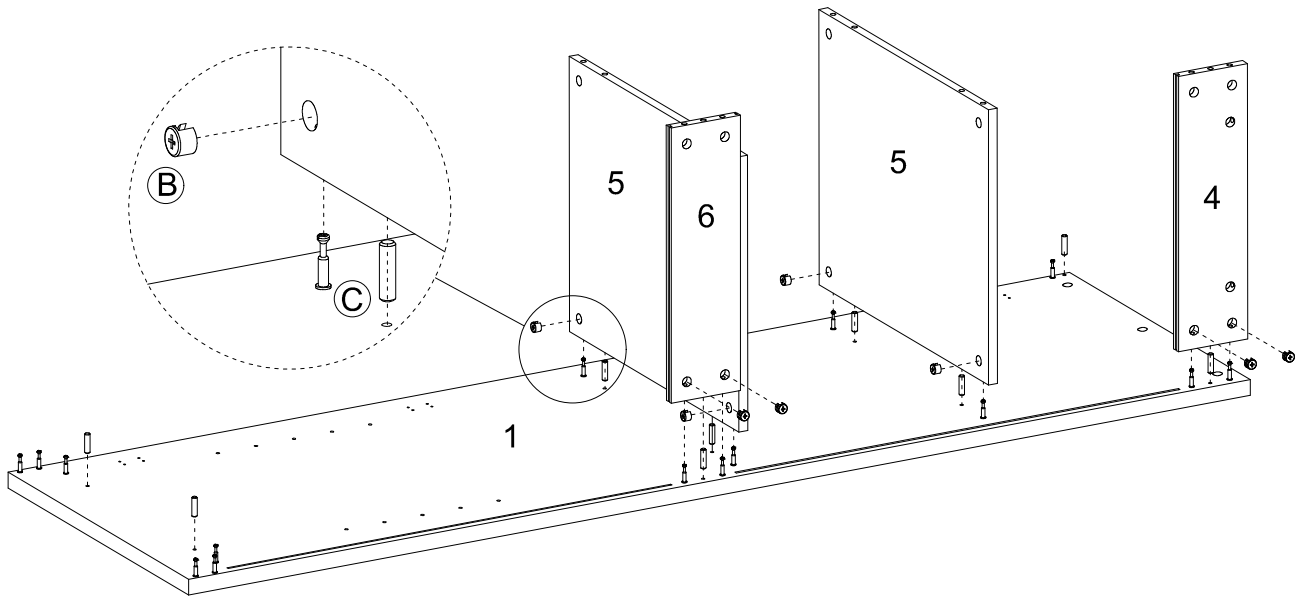
(A)  15pcs



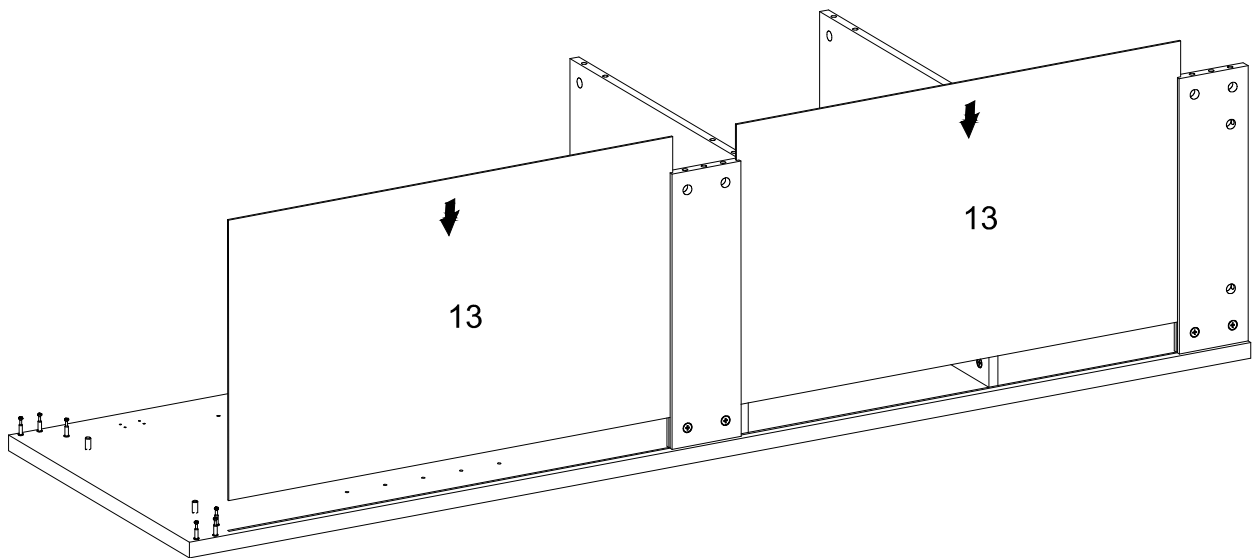
## Step 5: Attach parts (4,5,6) to the Left Panel (1).

(B)  8pcs

(C)  9pcs



## Step 6: Attach the Left Back Panel (13) to the Frame.

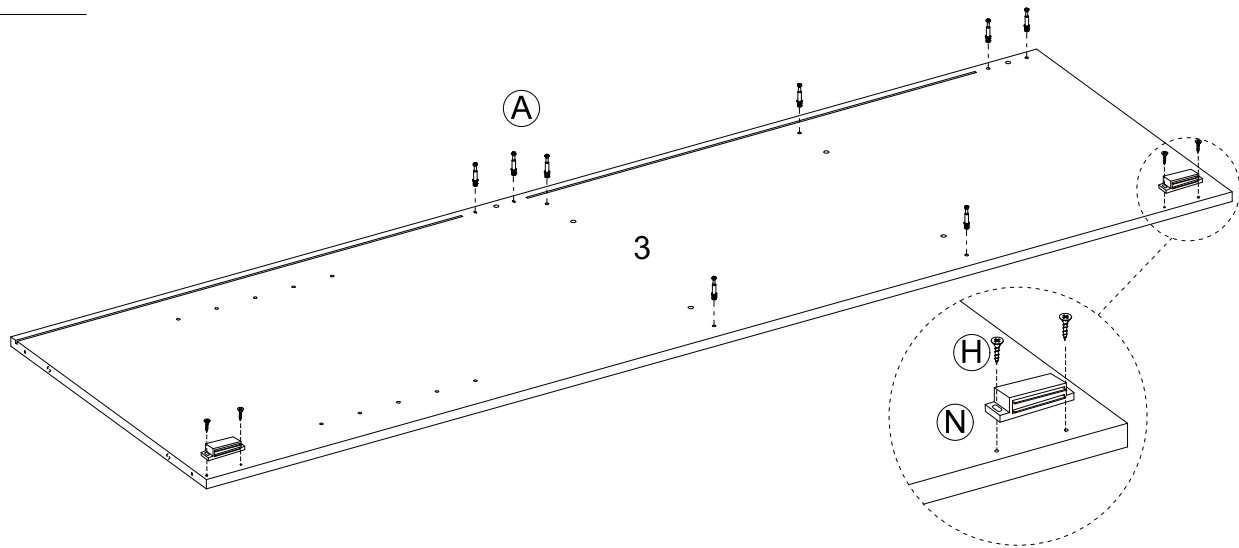


## Step 7: Attach the Cam Bolt and Door Catch to the Middle Panel (3).

(A)  8pcs

(H)  4pcs

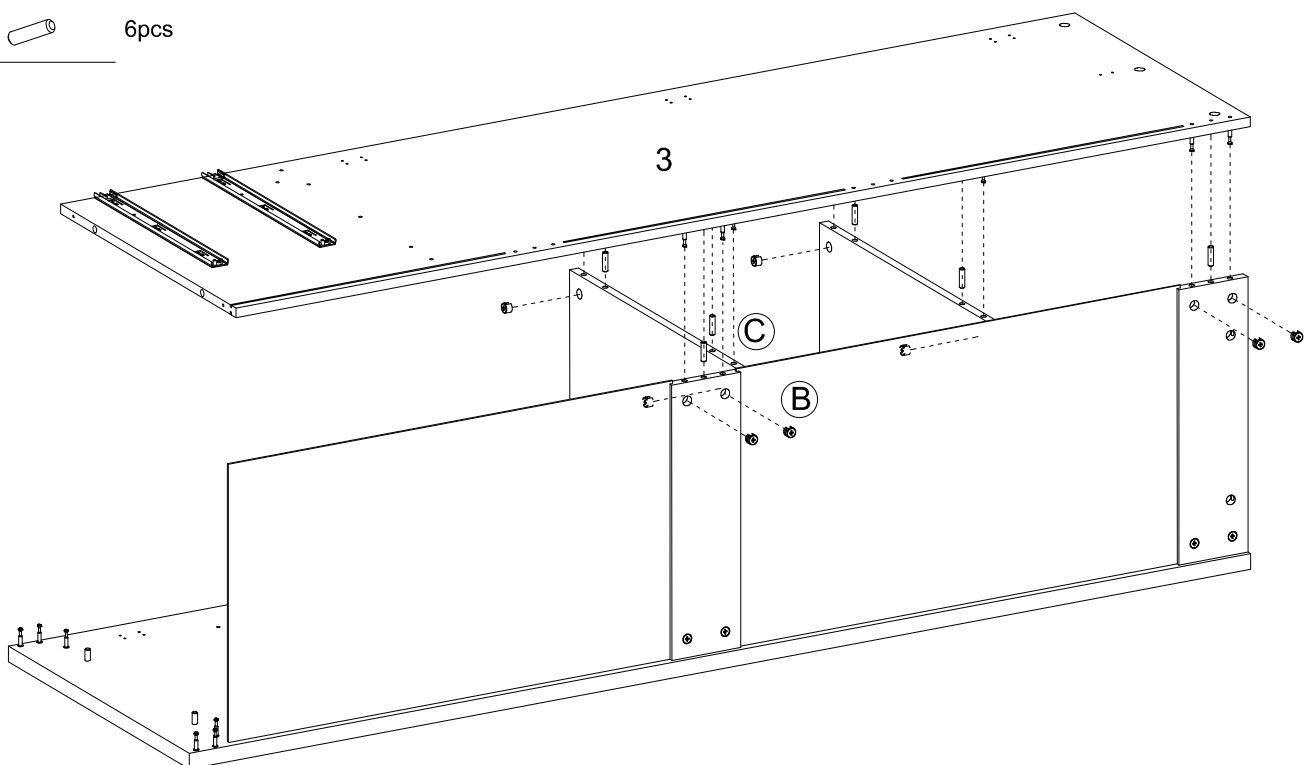
(N)  2pcs












## Step 8: Attach the Middle Panel (3) to the Frame .

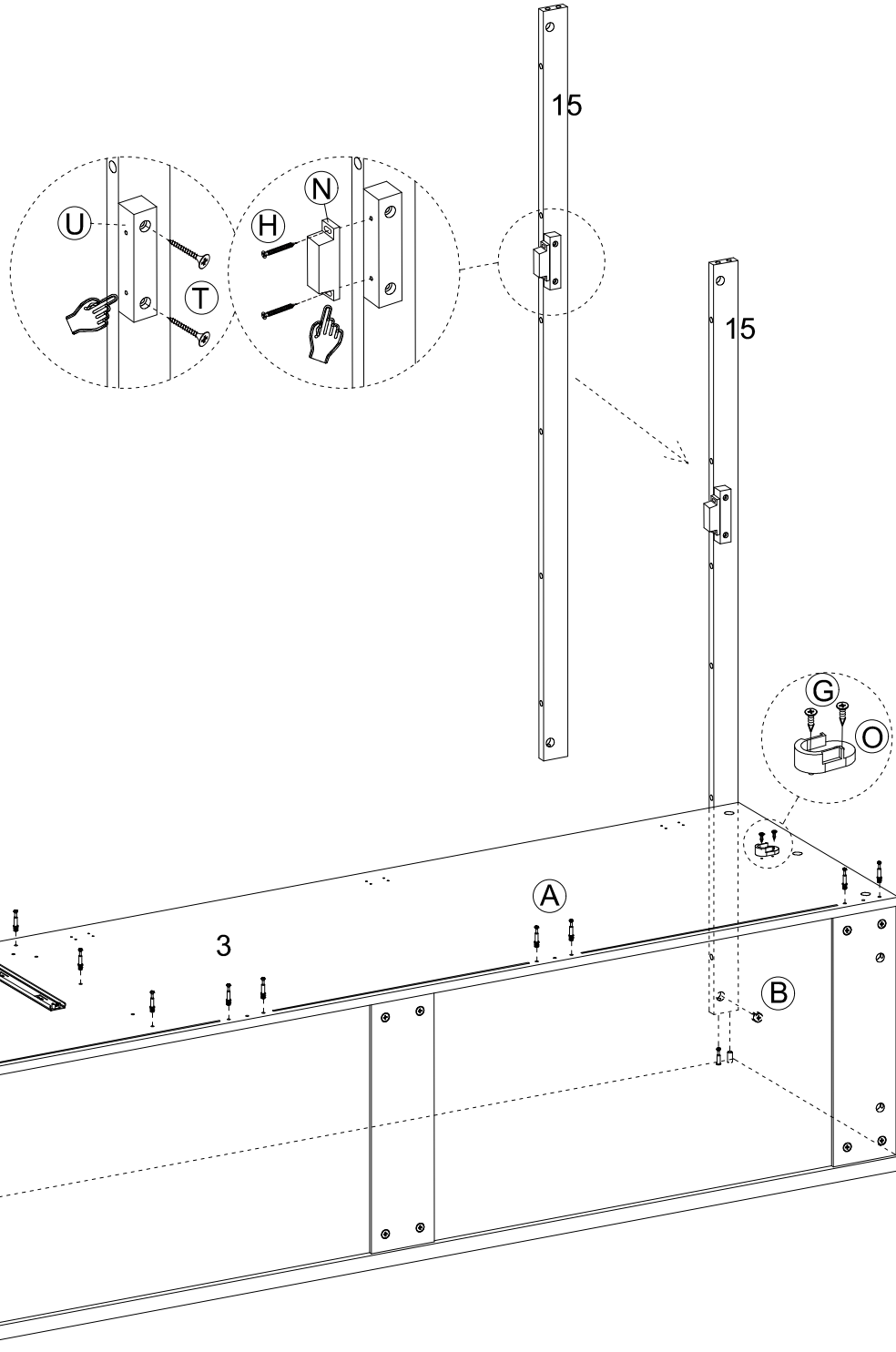
(B)  8pcs

(C)  6pcs

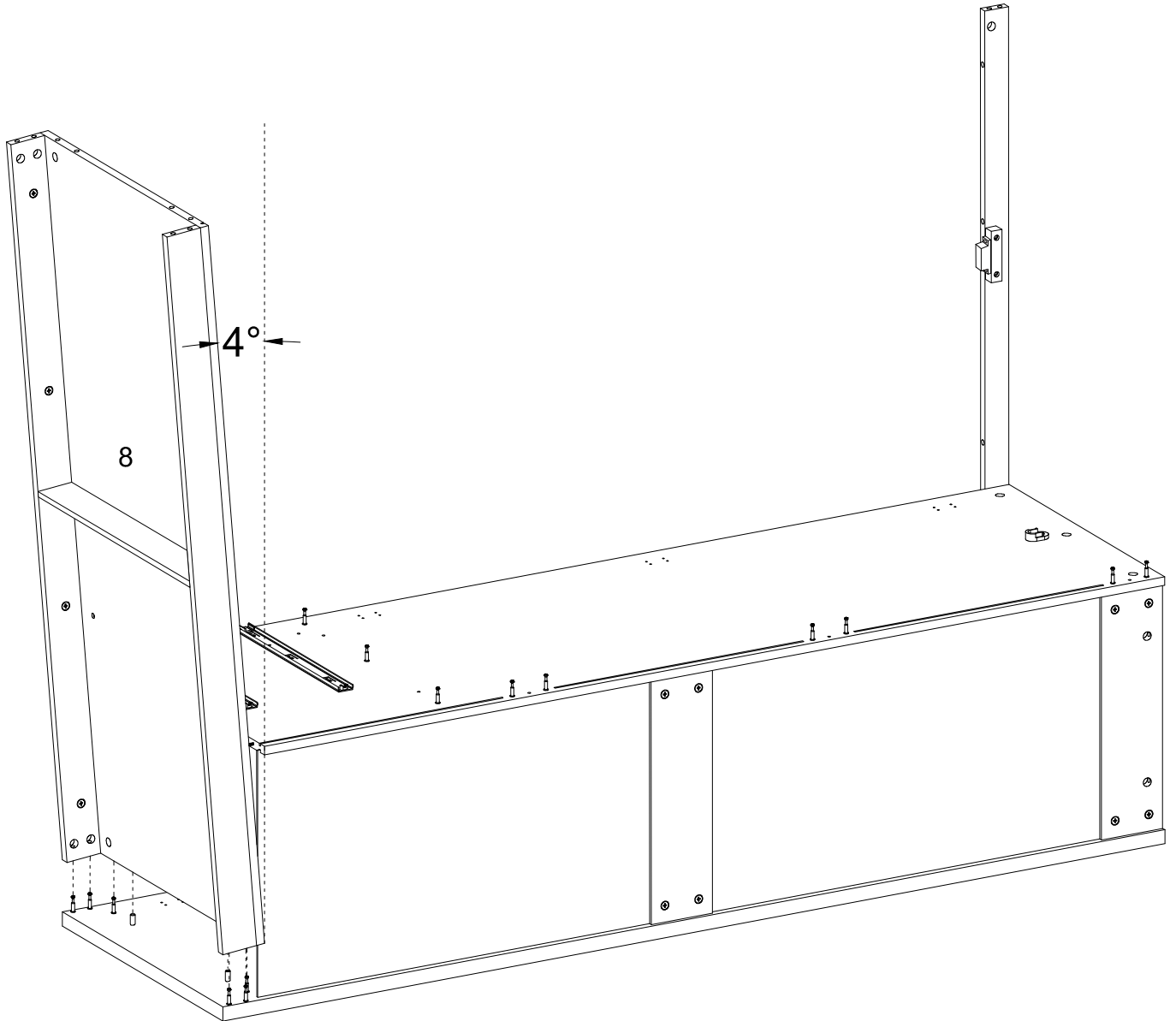


**Step 9:** Attach fittings to the Frame .  
 Attach the wooden block and door catch to Upper Front Support Bar (15), then attach the Upper Front Support Bar (15) to the Frame.

- (A)  9pcs
- (B)  1pc
- (C)  2pcs
- (G)  2pcs
- (N)  1pc
- (O)  1pc
- (H)  2pcs
- (T)  2pcs
- (U)  1pc



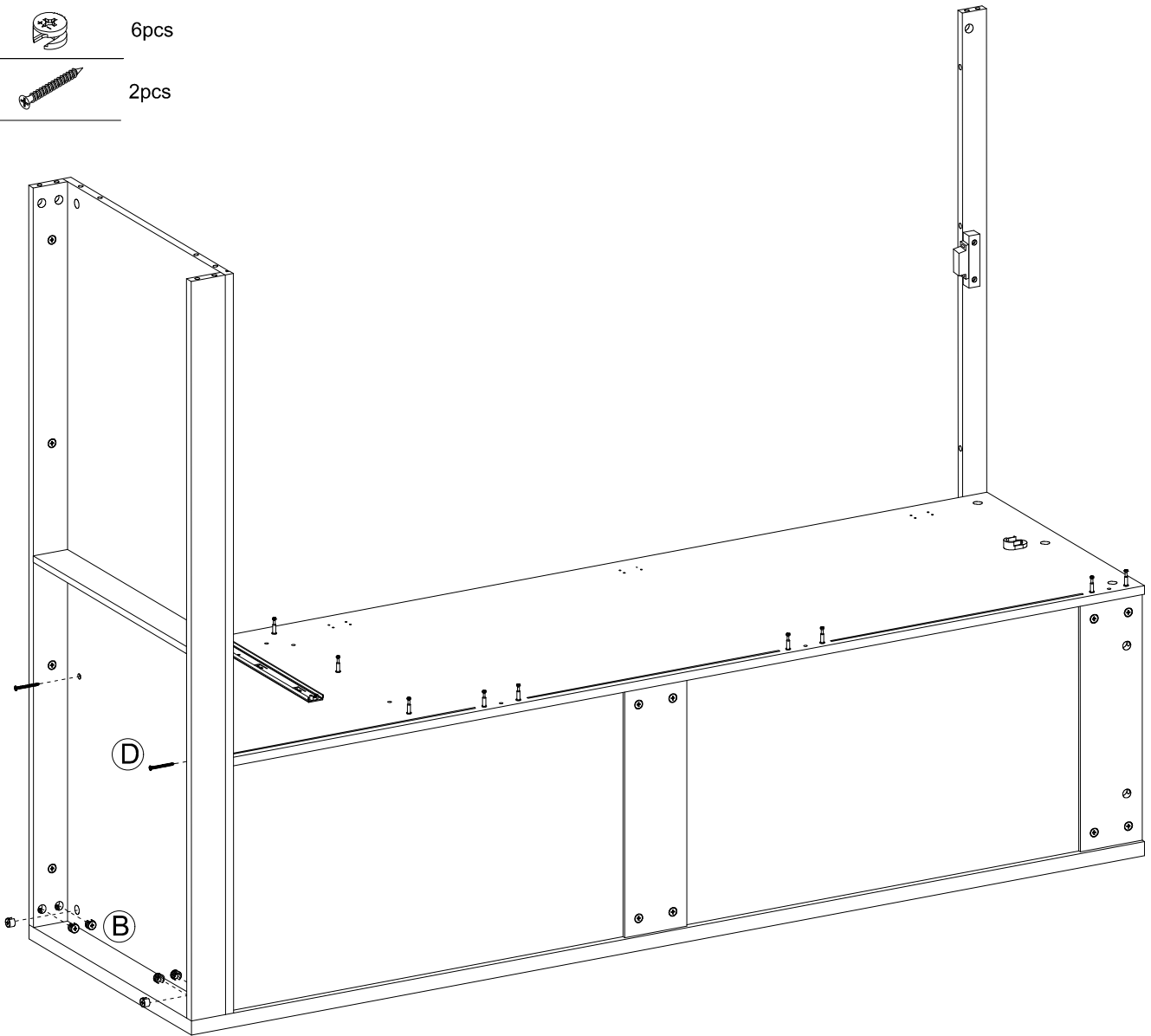
Step 10: Attach the Bottom Panel (8) to the Frame.



## Step 11: Attach fittings to the Frame.

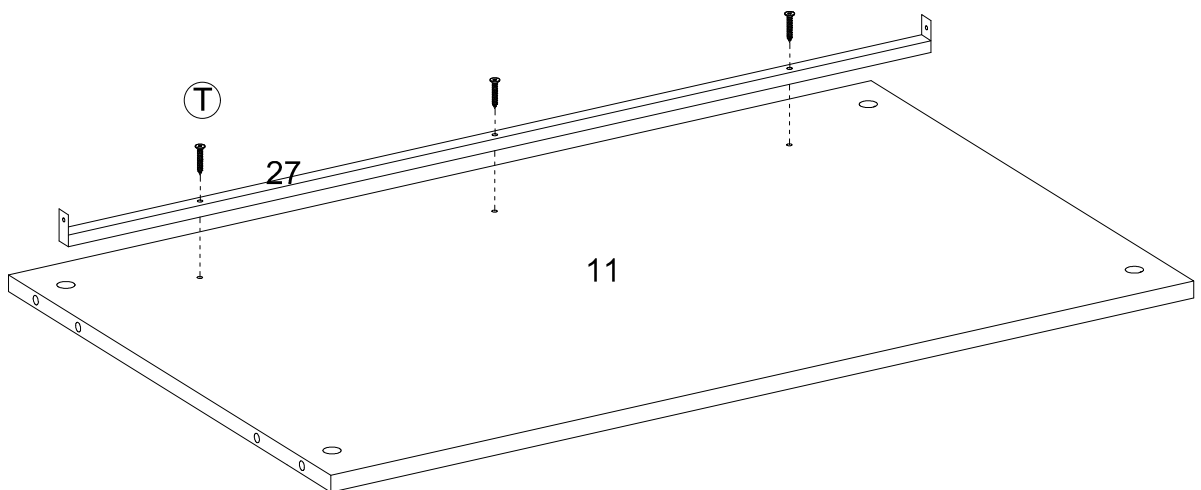
Ⓑ  6pcs

Ⓓ  2pcs



## Step 12: Attach the Shelf Panel Support Bar (27) to the Right Shelf Panel (11).

Ⓓ  3pcs

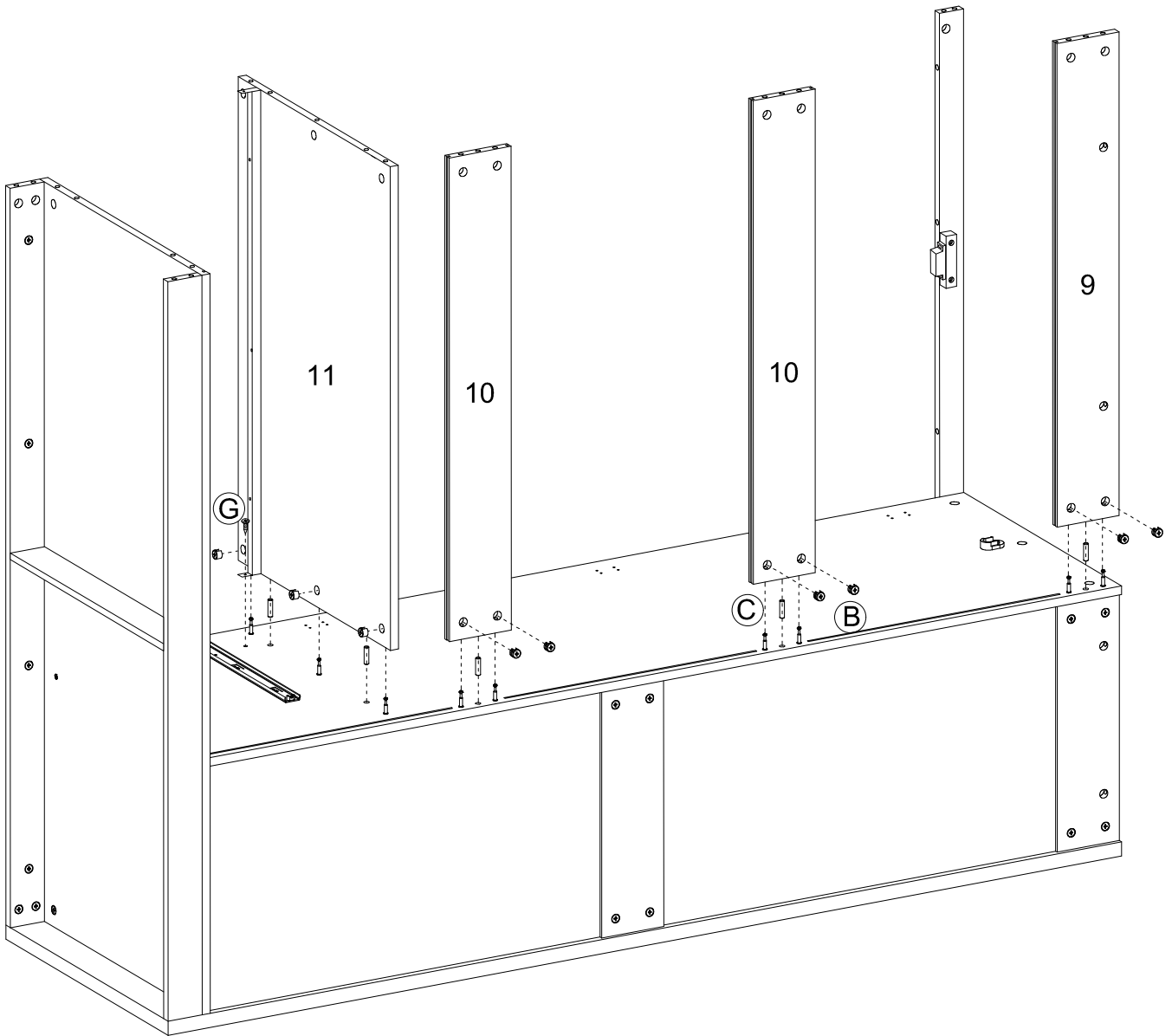


# Step 13: Attach parts (9,10,11) to the Frame.

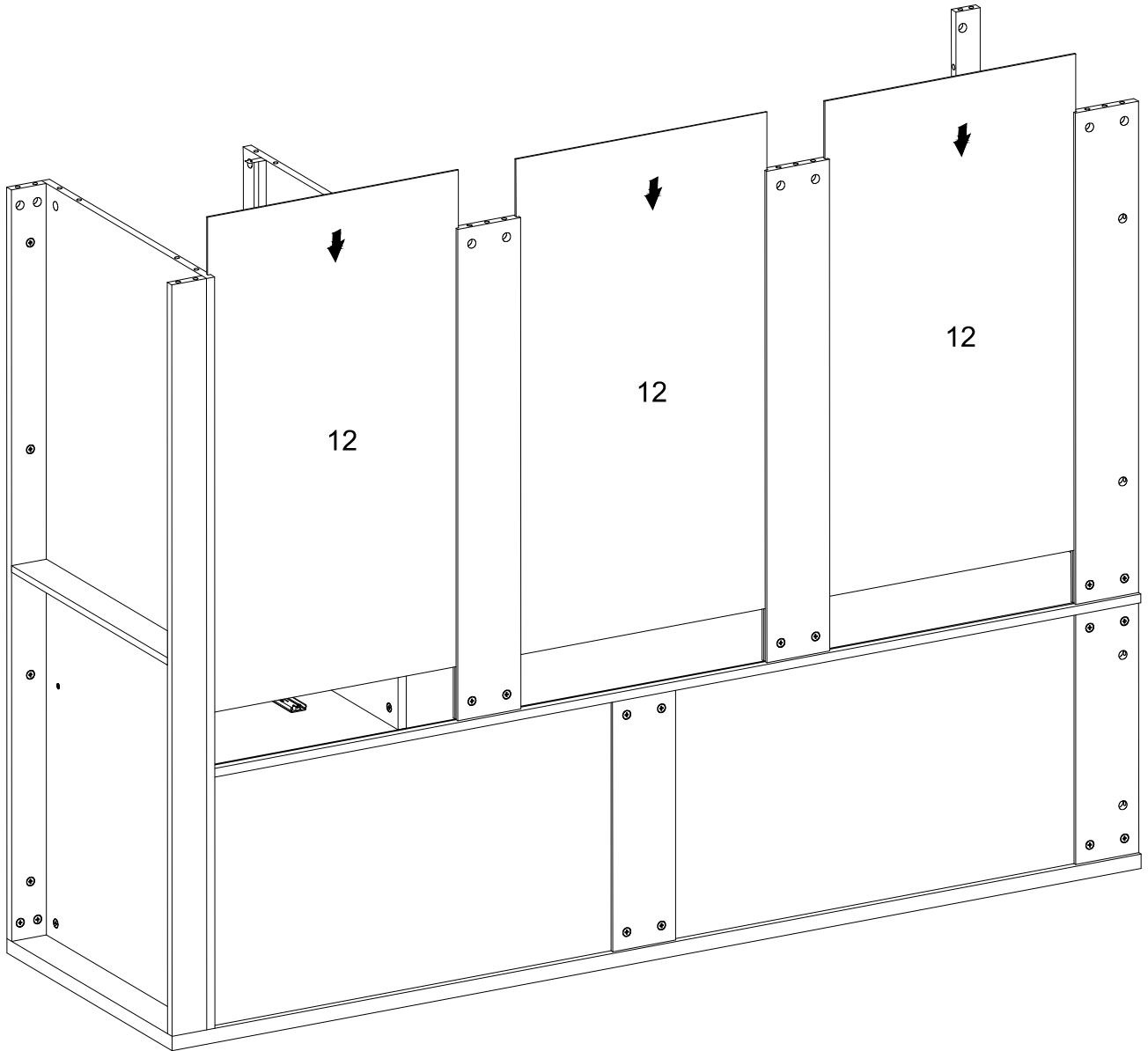
(B)  9pcs

(C)  5pcs



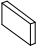

(G)  1pc

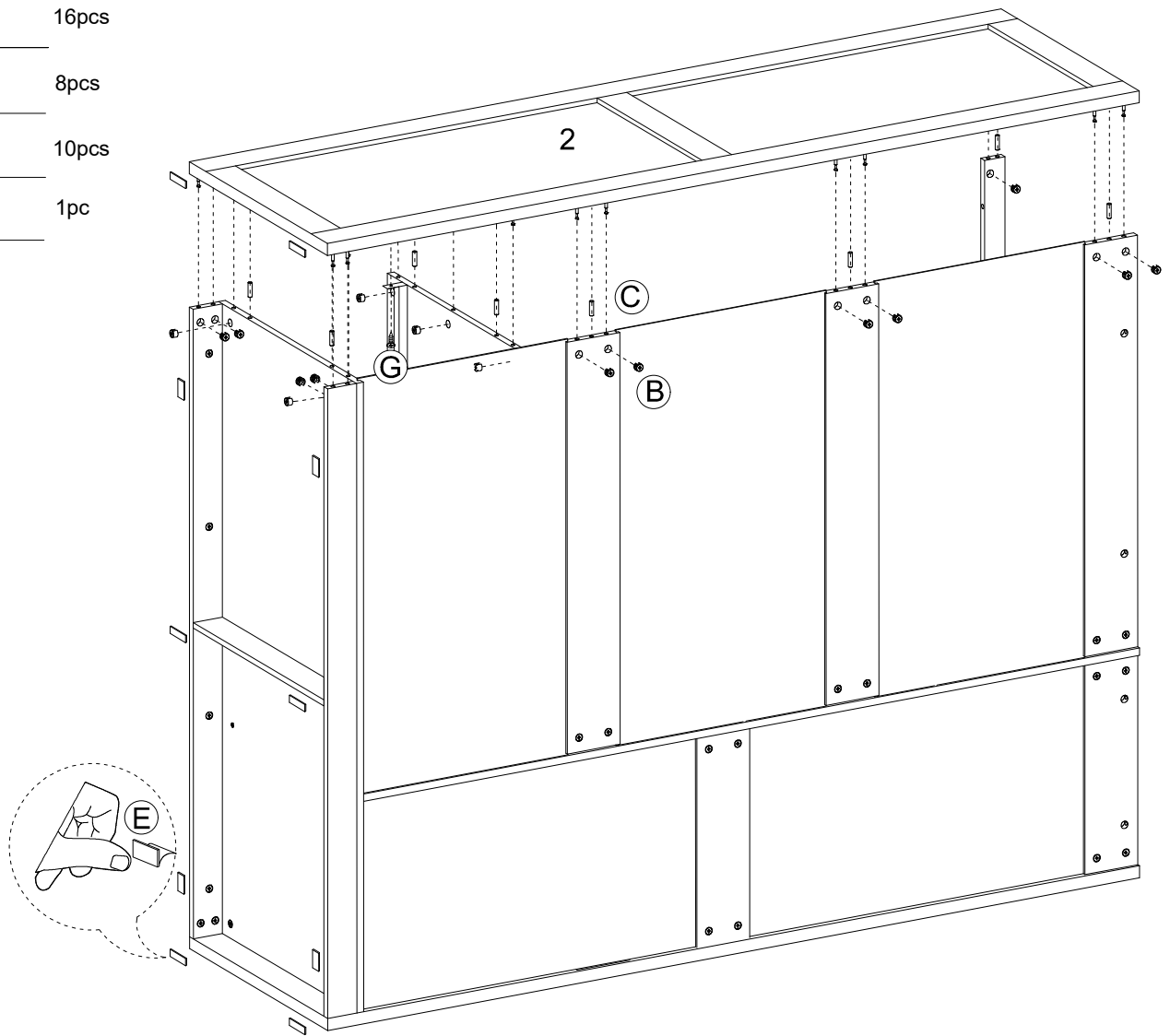


Step 14: Attach the Right Back Panel (12) to the Frame.




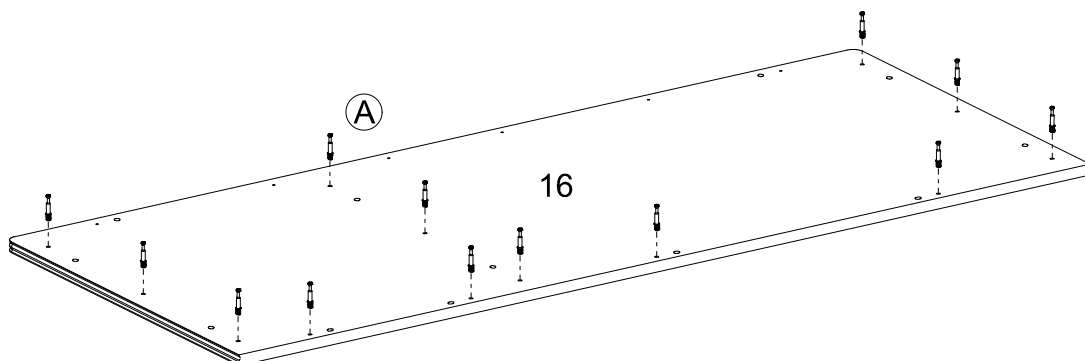
## Step 15: Attach the Right Panel (2) to the Frame.

- (B)**  16pcs
- (C)**  8pcs
- (E)**  10pcs
- (G)**  1pc



## Step 16: Attach the Cam Bolt to the Top Panel (16).

- (A)**  13pcs



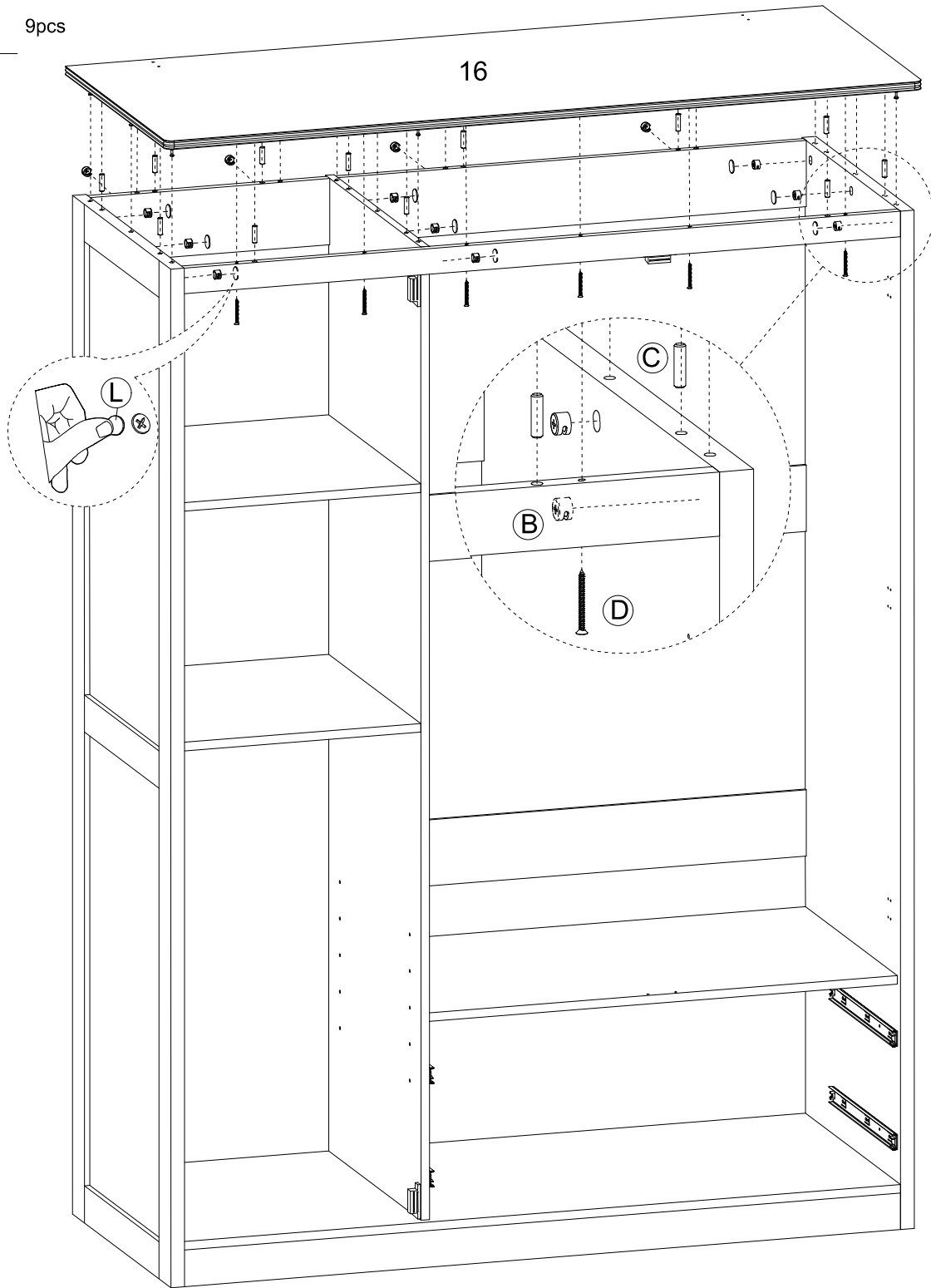
# Step 17: Attach the Top Panel (16) to the Frame.

(B)  13pcs


(C)  12pcs

(D)  6pcs

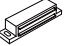
(L)  9pcs



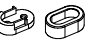
# Step 18: Attach the Hanging Bar (14) and the Lower Left Shelf Panel(26) to the Frame.

- Ⓜ        2pcs

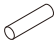
---

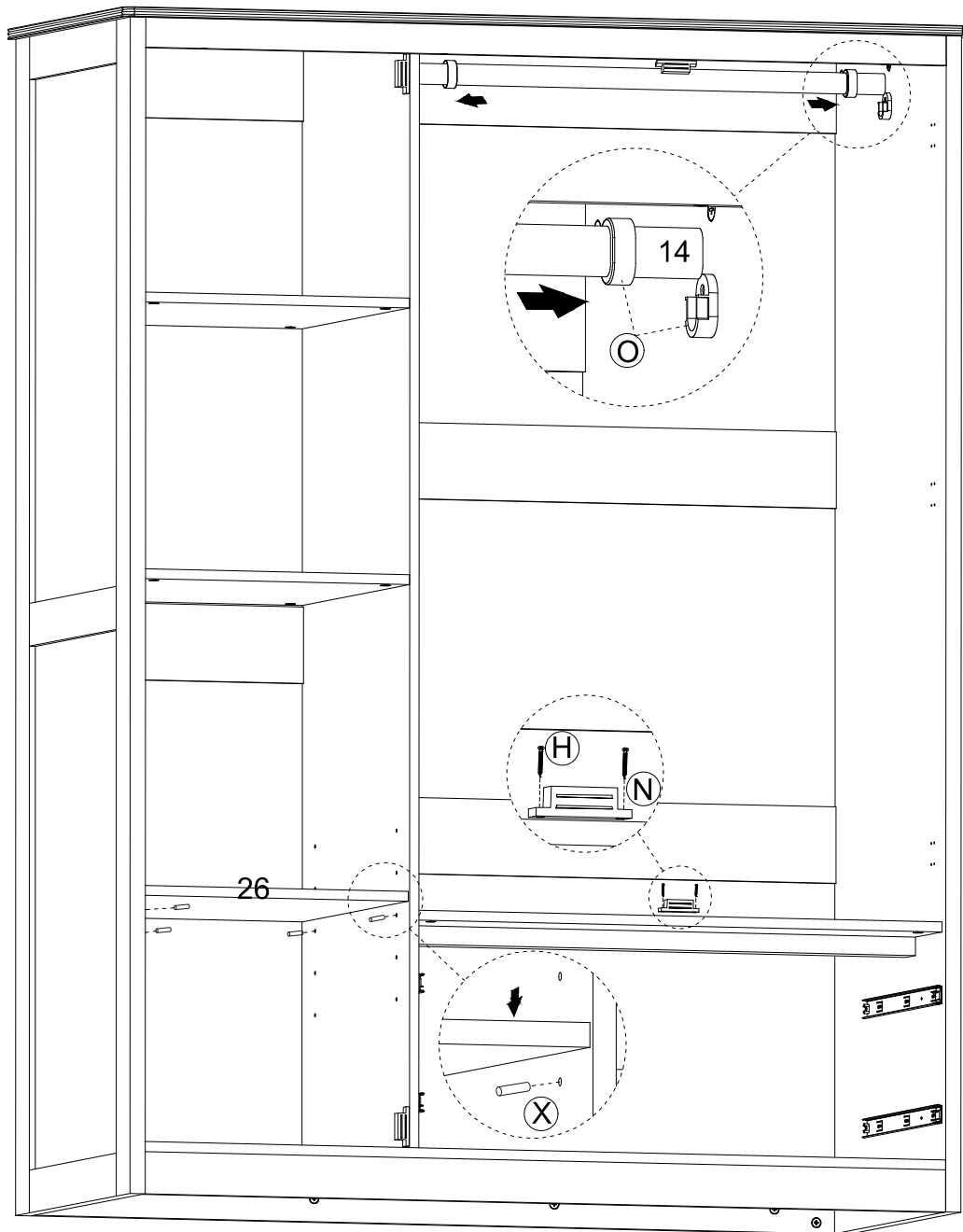
- Ⓝ        1pc

---

- Ⓞ        2pcs

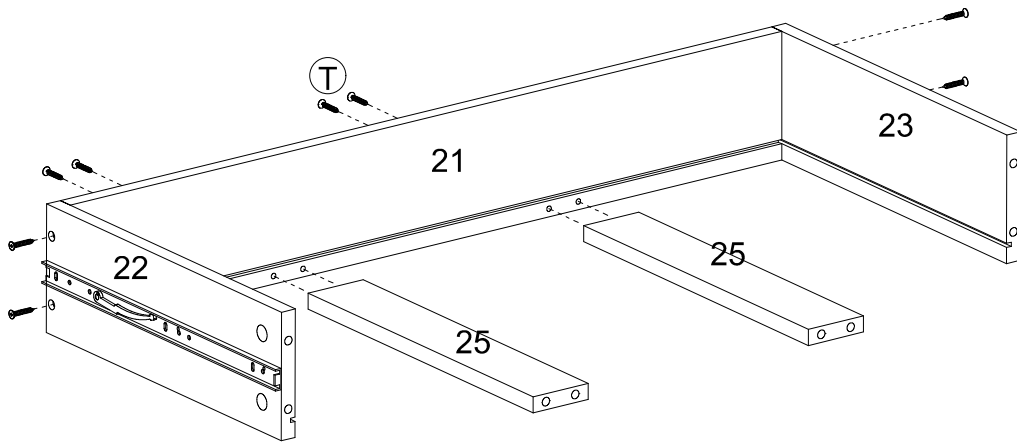
---

- ⓧ        4pcs



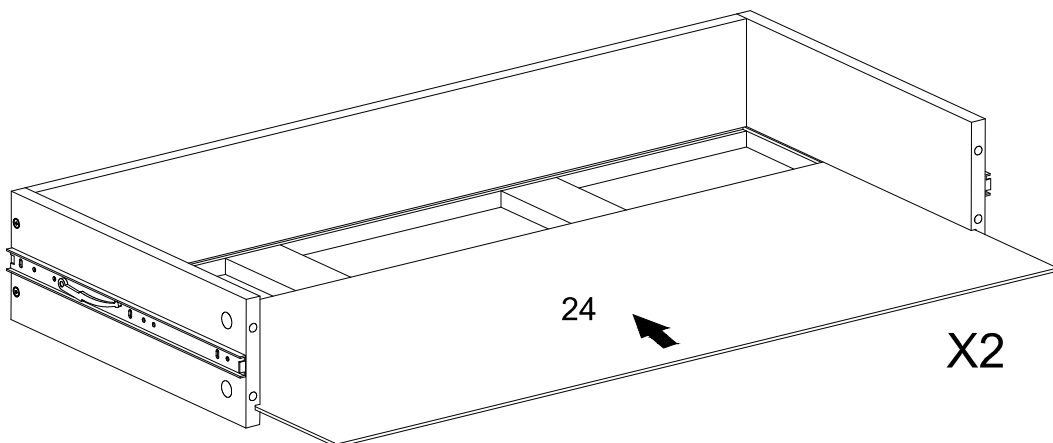
## Step 19: Attach the Drawer.

 16pcs



X2

## Step 20: Attach the Drawer.



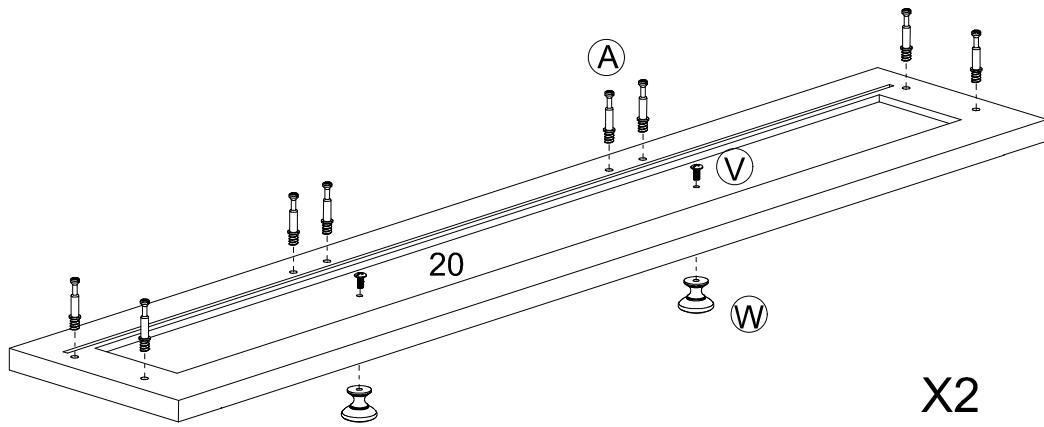
X2

## Step 21: Attach the Fittings and Handle to the Drawer Front (20).

(A)  16pcs

(V)  4pcs

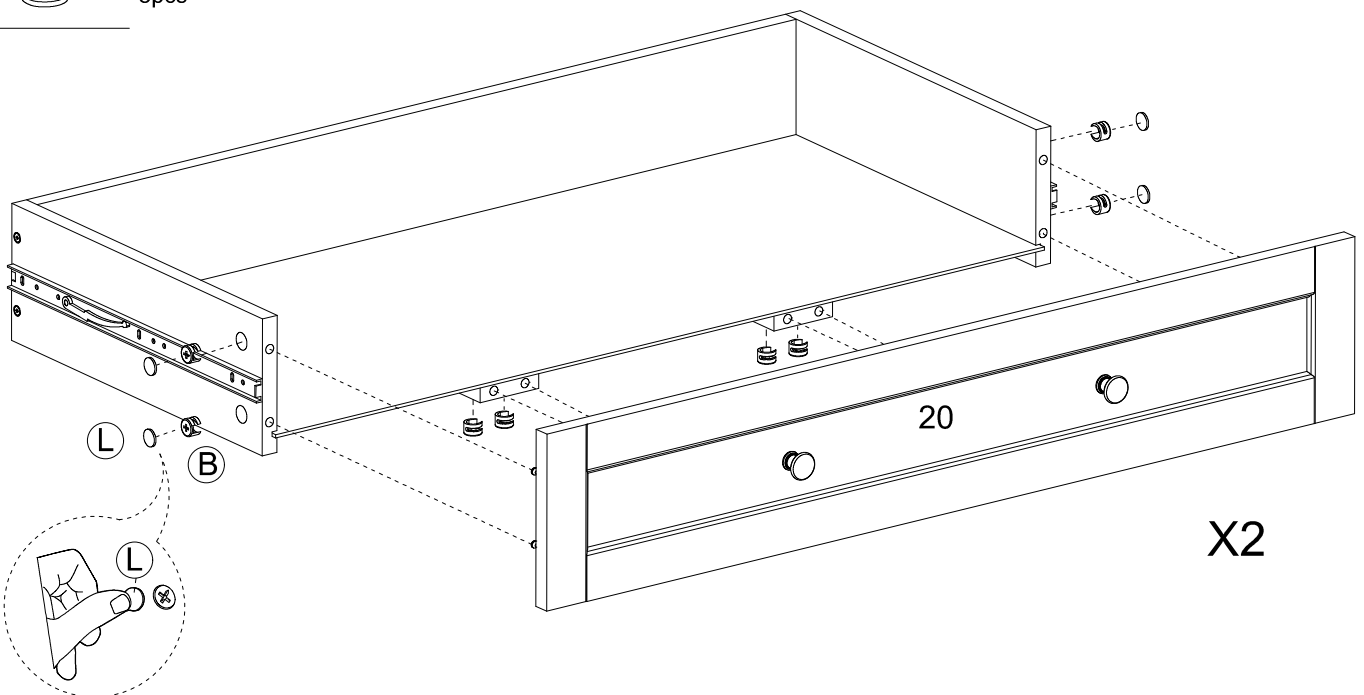
(W)  4pcs




## Step 22: Attach the Drawer Front (20) to the Frame.

(B)  16pcs


(L)  8pcs




# Step 23: Attach the Hinges, Handle and Door Strike Plate to Door (17,18,19).

- Ⓛ        6pcs


---

- Ⓝ        7pcs


---

- Ⓖ        20pcs


---

- Ⓜ        6pcs


---

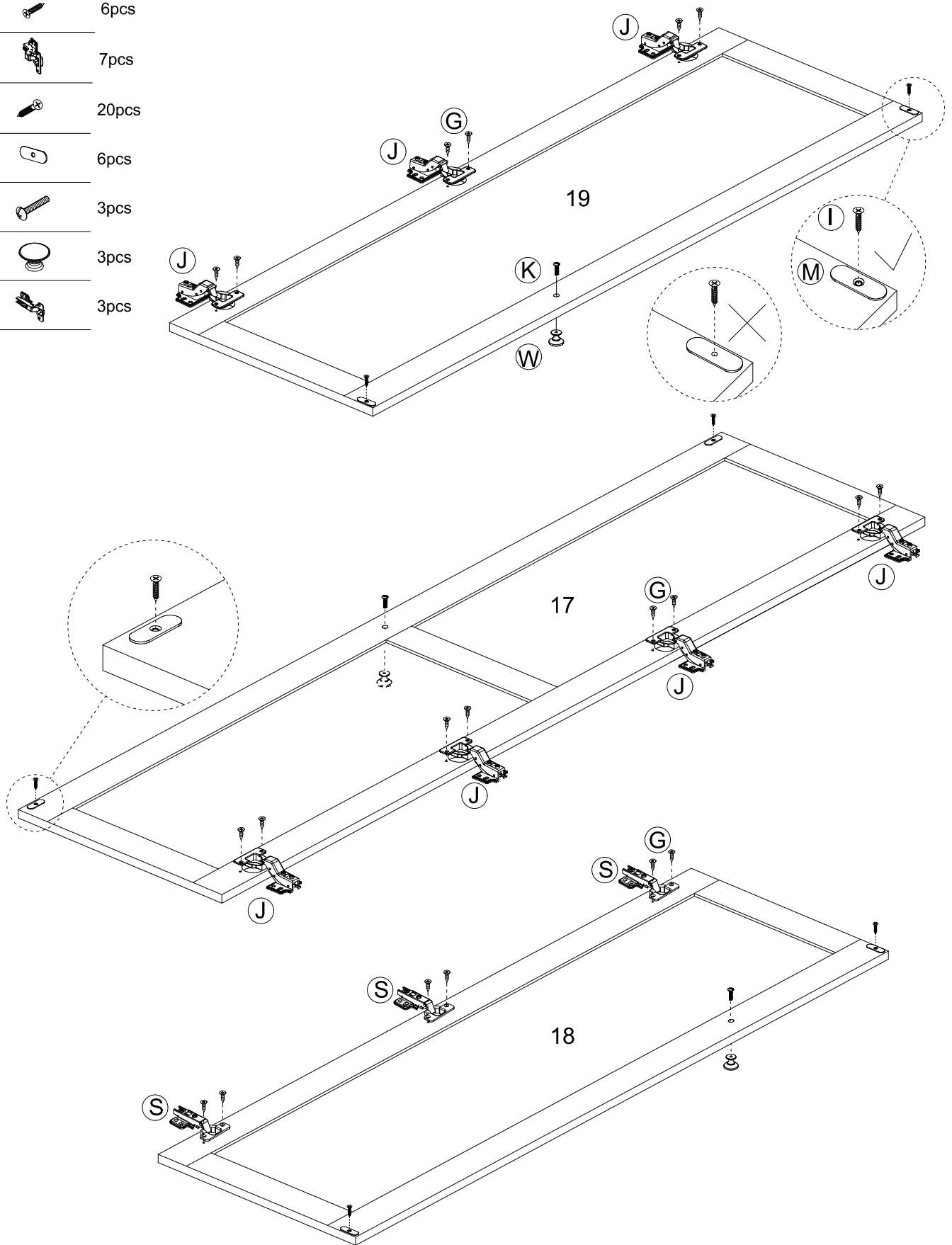
- Ⓚ        3pcs

---

- Ⓦ        3pcs

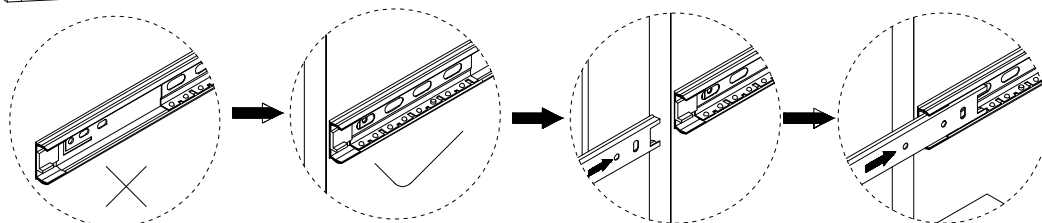
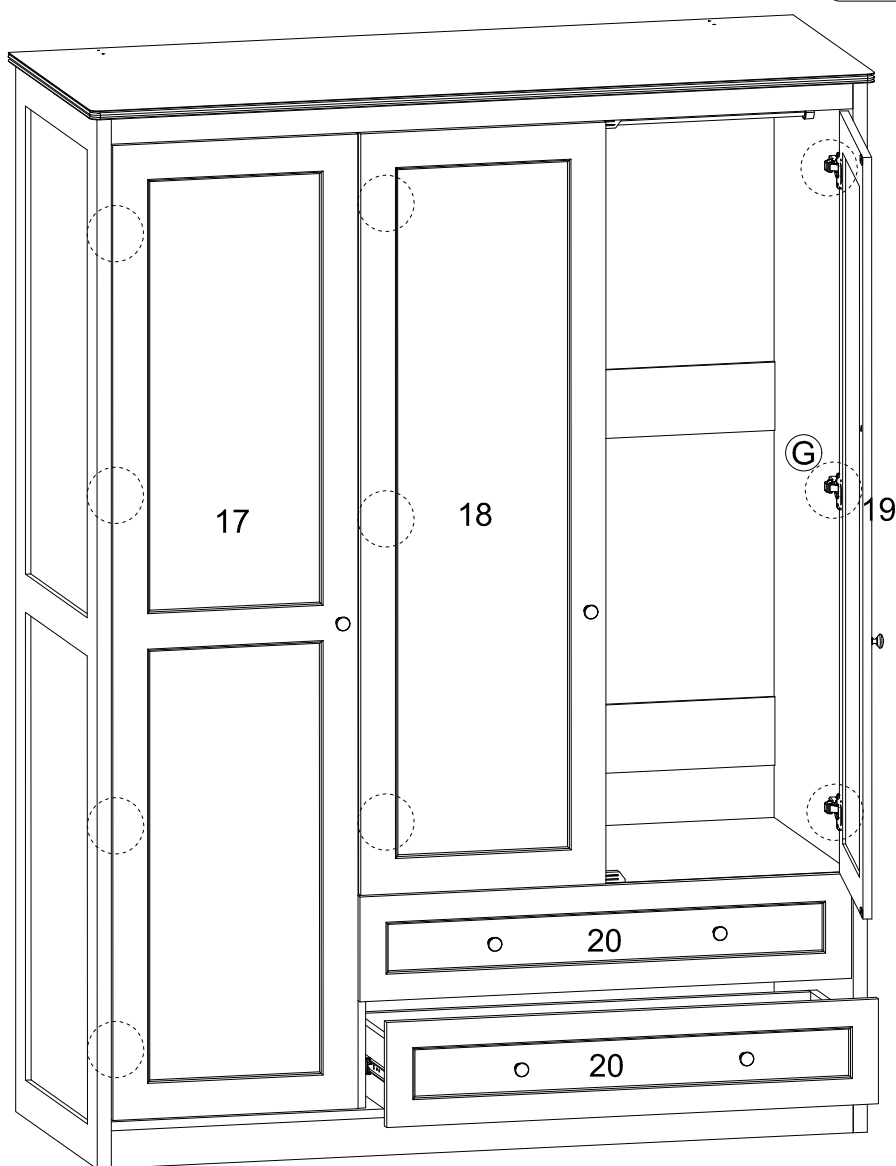
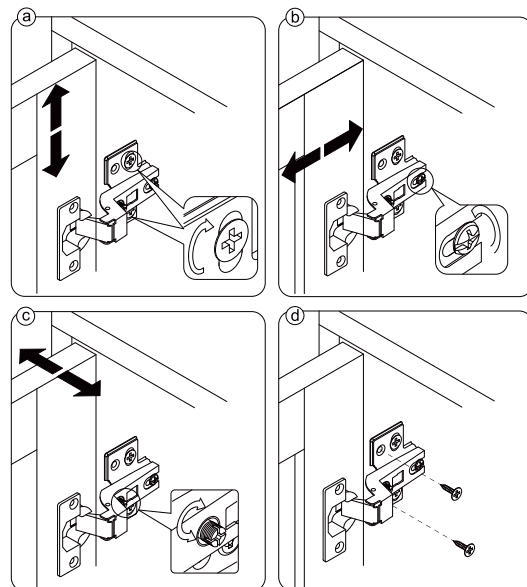
---

- Ⓢ        3pcs



# Step 24: Attach the Door (17,18,19) to the Frame,Slide the drawer into the Frame.

ⓐ  40pcs



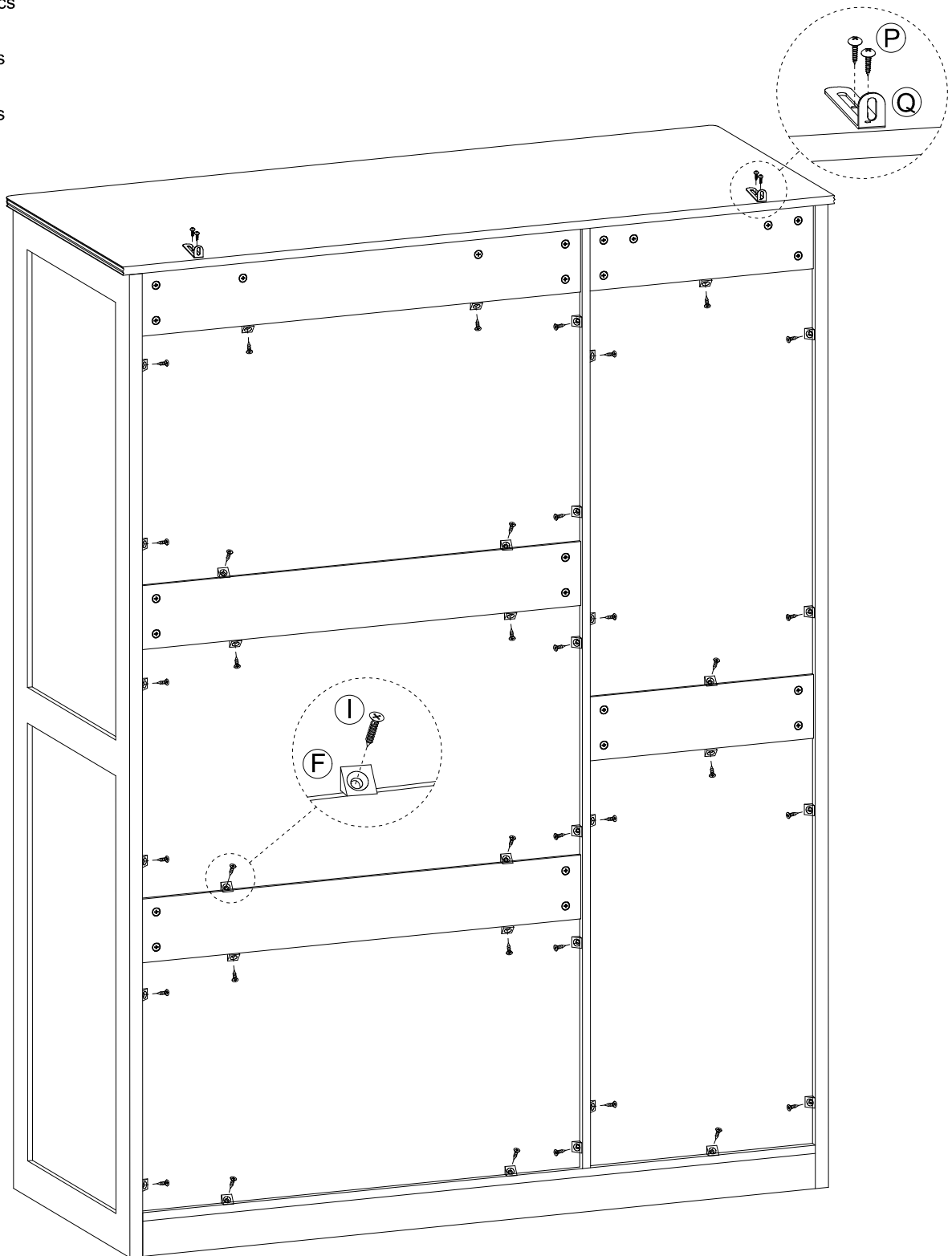
**Step 25:** Attach the plastic buckles and wall bracket. Before securing the plastic buckles, manually adjust the frame to ensure the door is properly aligned, even, and parallel.

(F)  36pcs

(I)  36pcs

(P)  4pcs

(Q)  2pcs



**Step 26:** Fix the wall bracket to the wall by drilling holes, inserting wall anchors, and securing it with screws.

Ⓓ  2pcs

Ⓔ  2pcs

