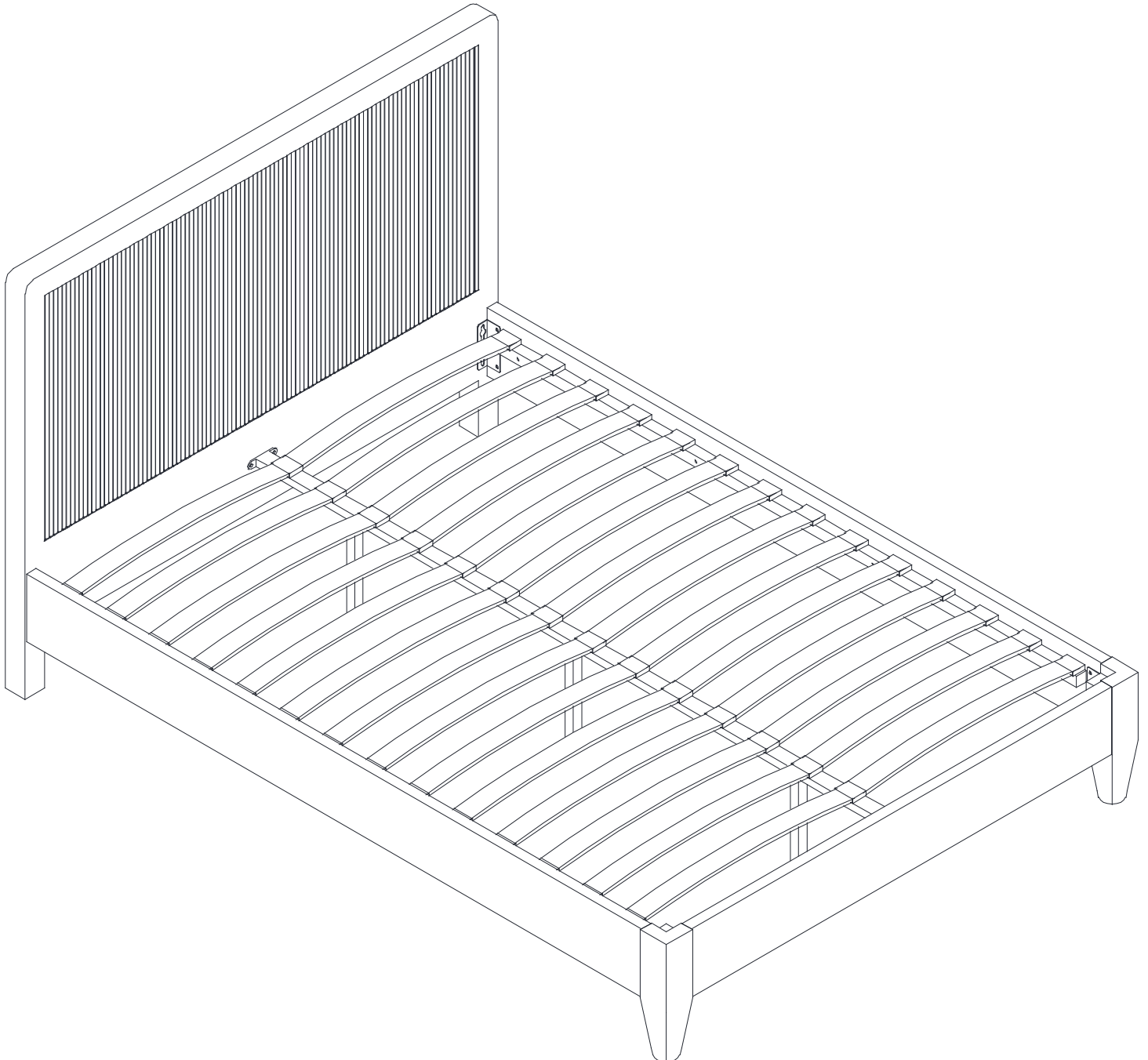
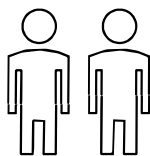


Hattie Frame Bed

Double/King size



Up to 2 hour approx
assembly time



Two person
assembly

Important

Assembly Tip

Before you begin, it's best to identify all of the parts and fittings to build your ottoman bed frame. We advise laying these out on the floor to check you have everything, and to familiarise yourself with all of the parts and fittings before building.

Top Tip

We recommend that you build your new ottoman bed frame in the room you'd like it to be located. This will help prevent any risk of damage to the frame whilst moving it.

Safety and Care

It's important to ensure children and animals are kept away from the assembly area, as there are small components used in this bed frame which could present a choking hazard. All plastic and wrapping materials should also be kept away from children and animals to prevent any risk of suffocation.

Help and Support

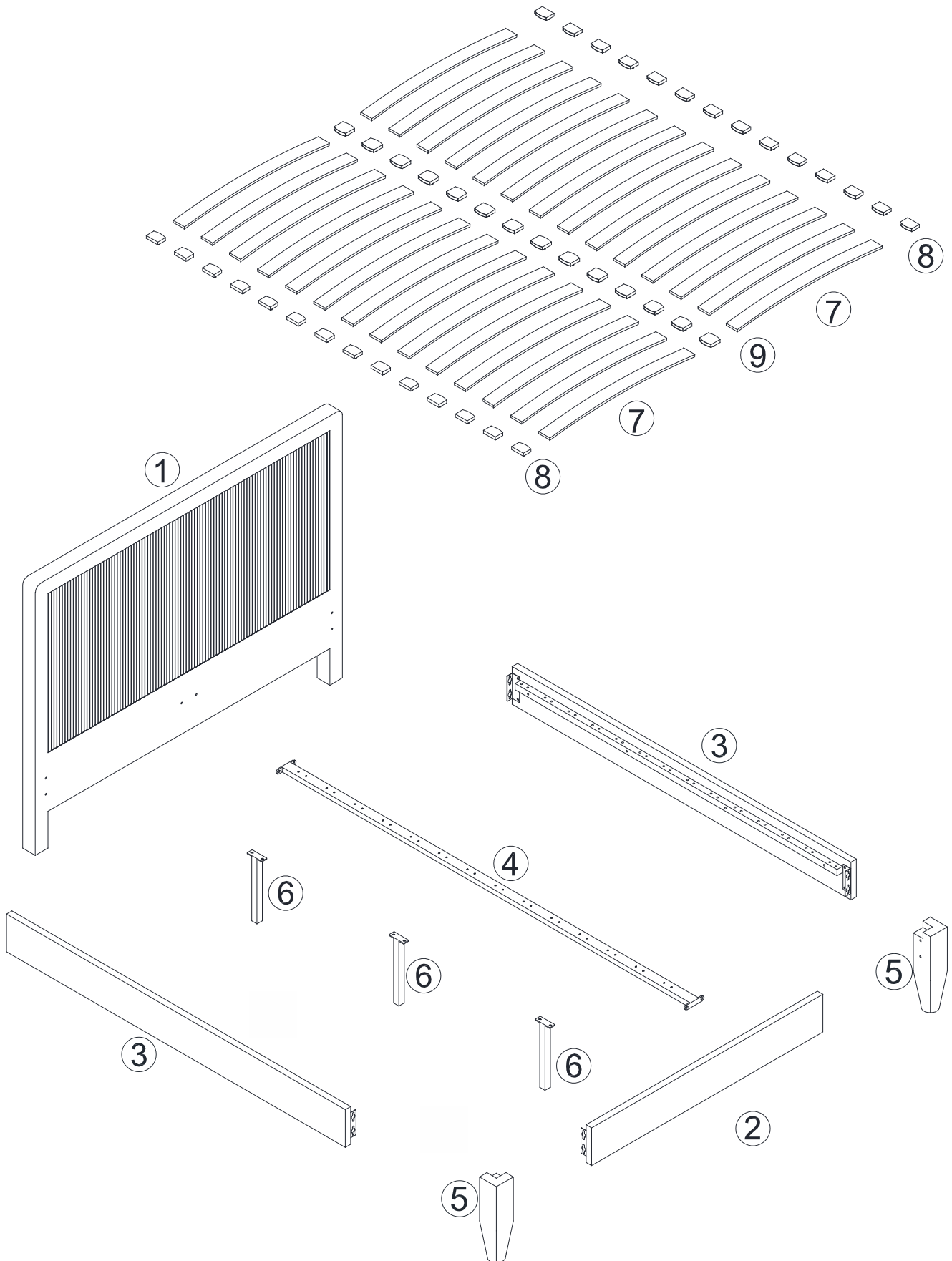
Please contact our customer service team on 0113 519 0311 if you have any questions or issues with your purchase.

Recycling

Please ensure that packaging is disposed of in a safe and environmentally friendly way, and recycle where possible. Please keep your assembly instructions safe to refer back to in the future.

Parts

Before you begin building your bed frame, please take a moment to read through the instructions and make sure that you have all the relevant parts listed on the parts check list.

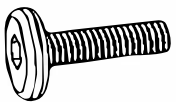





PART CHECK LIST

NO.	Part list	QTY	Box No	NO.	Part list	QTY	Box No
1	Headboard	1pc	Box 1	6	Central Support Leg	3pcs	Box 1
2	Footboard	1pc	Box 1	7	Slat (Double/King)	28/30pcs	Box 2
3	Side Rail	2pcs	Box 2	8	Side Slat Cap Double/King)	28/30pcs +1pcs	Box 1
4	Central Support Rail	1pcs	Box 2	9	Centre Slat Cap (Double/King)	14/15pcs +1pcs	Box 1
5	Leg	2pcs	Box 2				

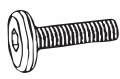

Fittings (in Box 1)

Please check you have all the fittings listed below with your product.


			
A M8x20mm Bolt 16pcs+1	B M6x15mm Bolt 6pcs+1	C M5 Allen Key 1PC	D M4 Allen Key 1PC

NB: there are additional spare Fittings included within the Fitting pack

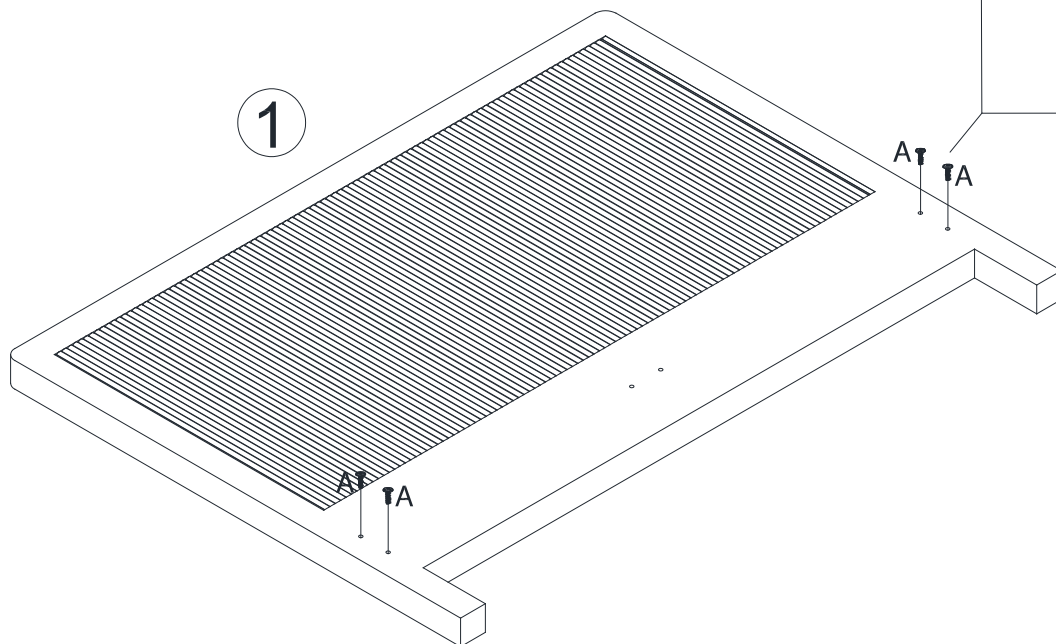
Pre-assembled Fittings.

	
A M8x20mm Bolt 12PCS	E M8x45mm Bolt 8PCS

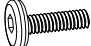
Step 1: Attaching the Bolts to the Headboard

A  4pcs

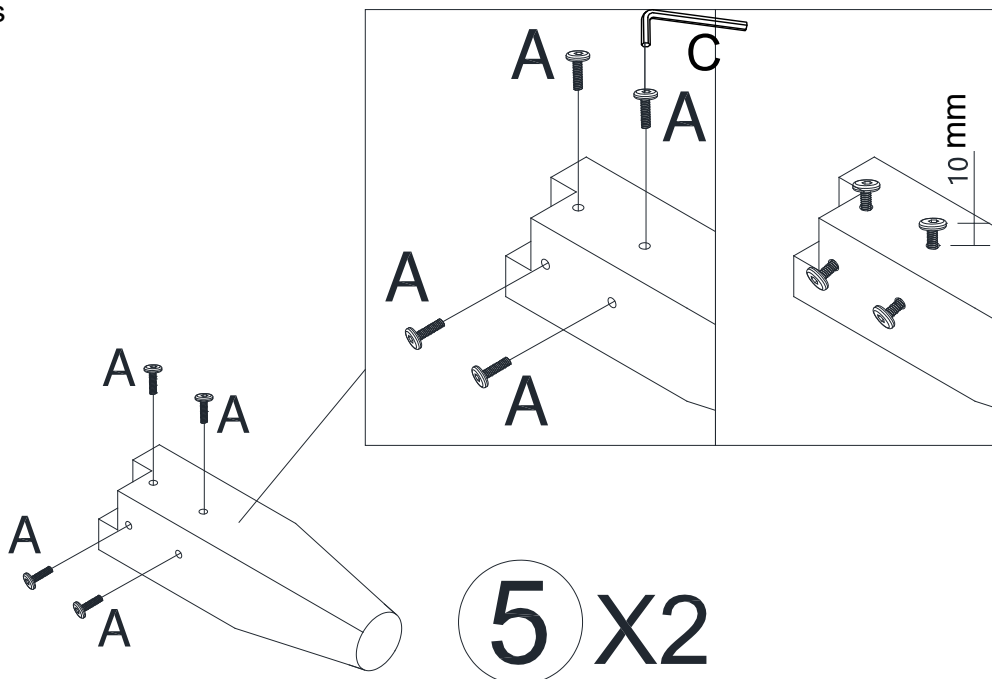
C  1pc



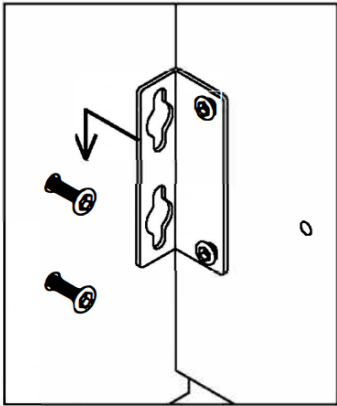
Step 2: Attaching the Bolts to the leg

A  8pcs

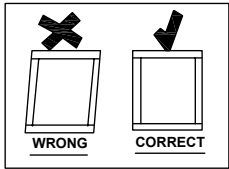
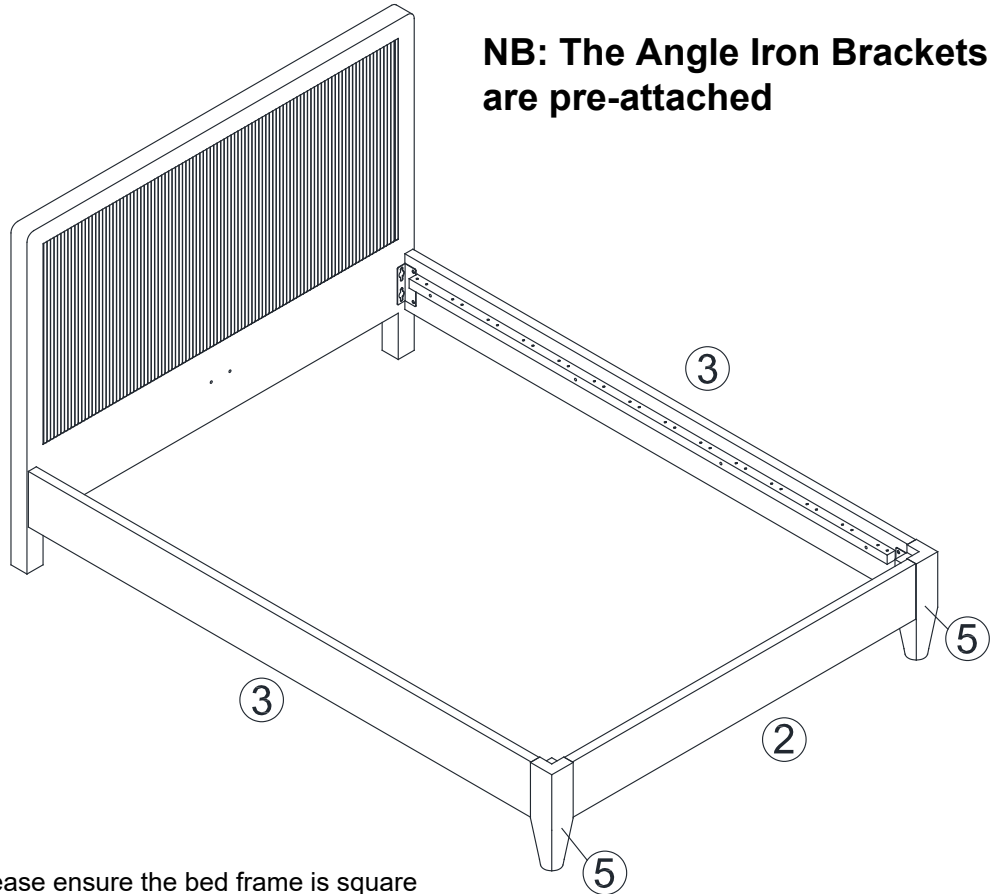
C  1pc



Step 3: Attaching the Headboard & Footboard to the Side Rails

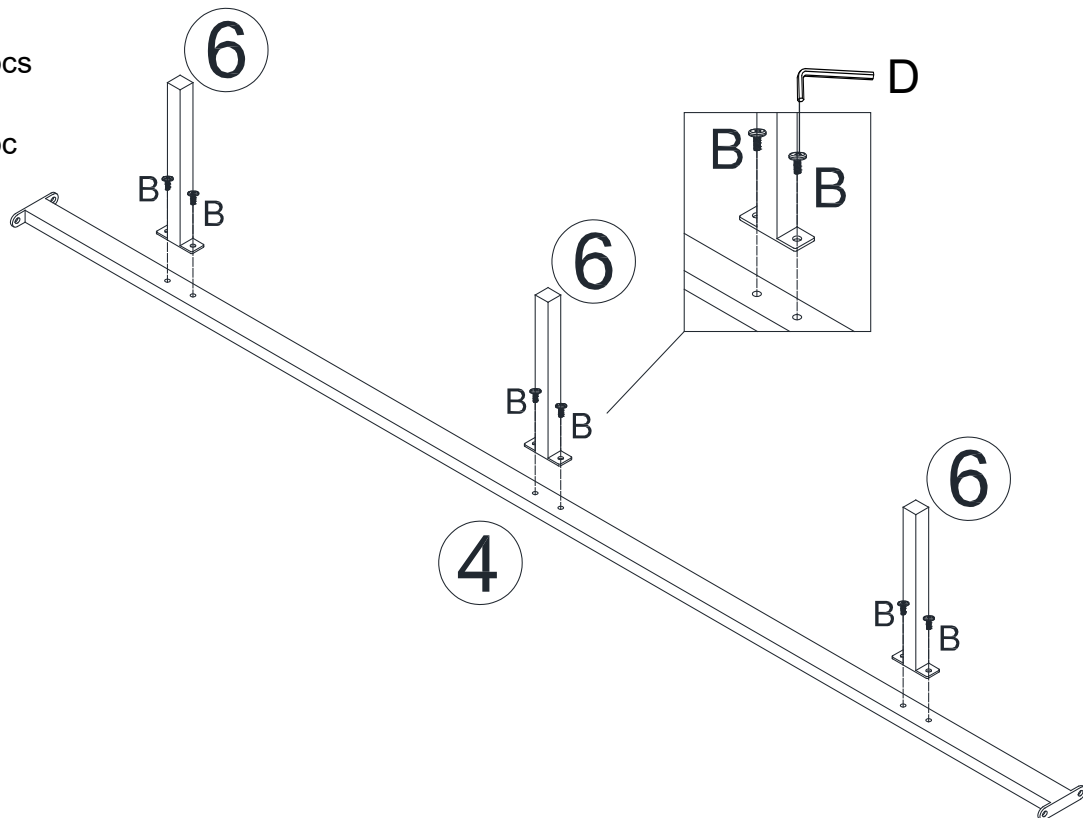
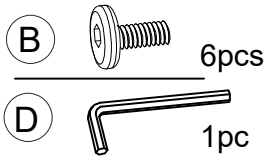


NB: The Angle Iron Brackets are pre-attached

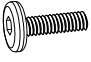



NB: Before tightening the bolts, please ensure the bed frame is square

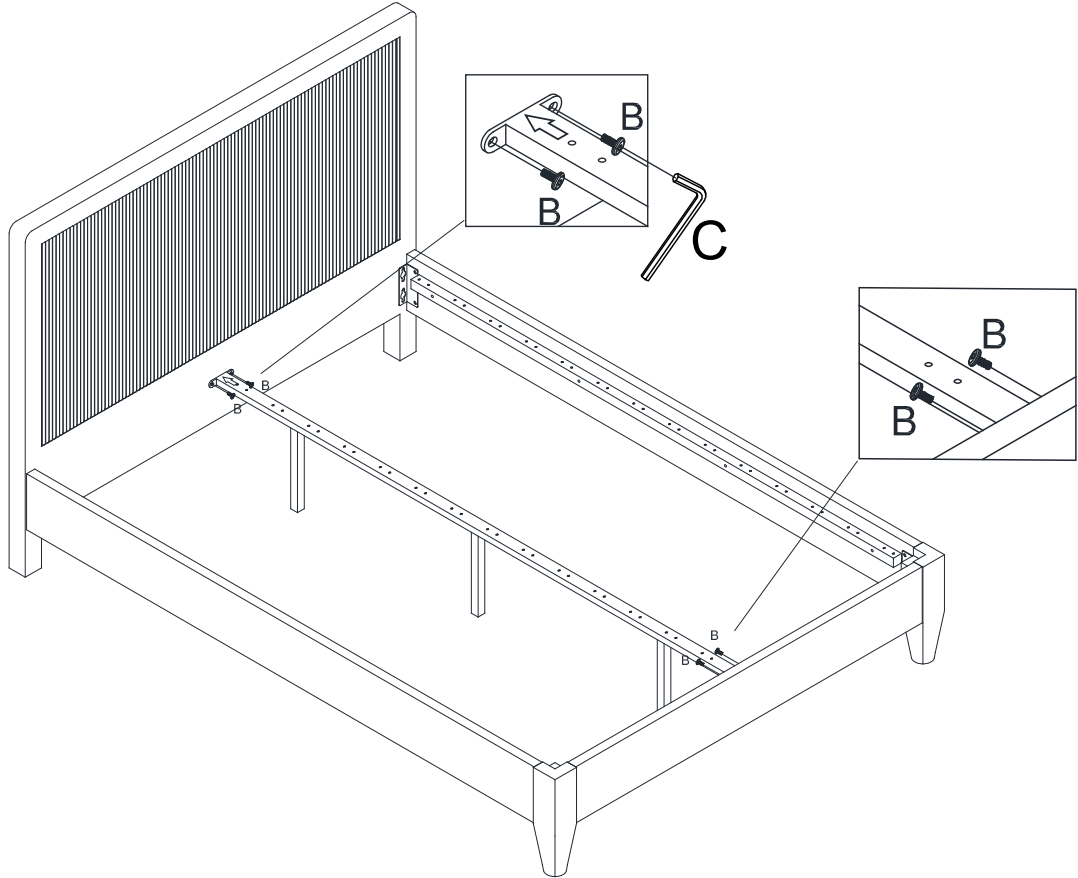
Step 4: Attaching the Central Support Legs to the Central Support Rail




Step 5: Attaching the Central Support Rail to the Headboard & Footboard

(A)  4pcs

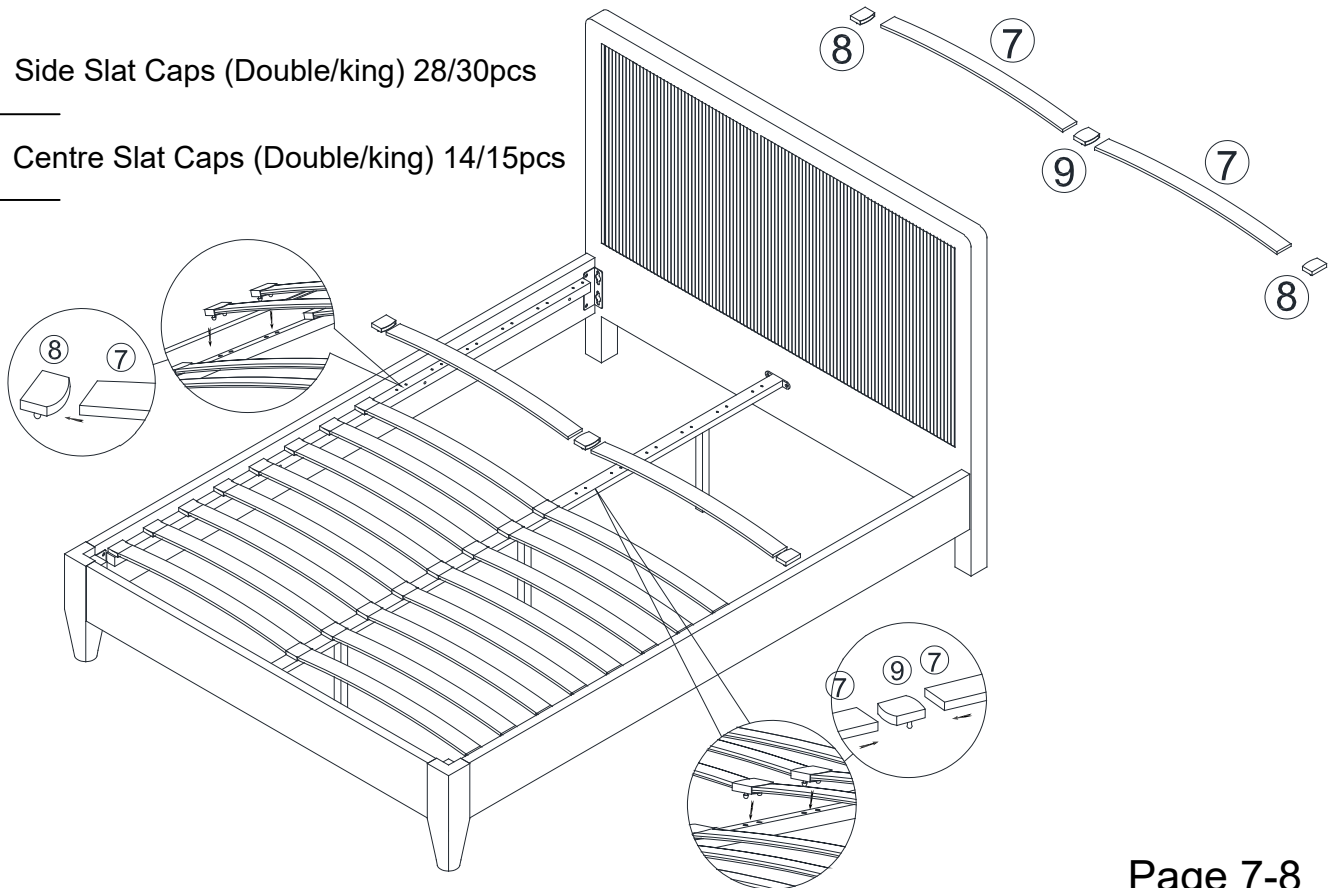
(C)  1pc



Step 6: Attaching the Slat Caps & Slats to the Bed Frame

(8)  Side Slat Caps (Double/king) 28/30pcs

(9)  Centre Slat Caps (Double/king) 14/15pcs



Care and Maintenance

Here are some good tips to keep your new ottoman bed frame in tip-top condition.

Cleaning

To clean your new ottoman bed frame, we advise using a damp cloth if the fabric is dusty or a low suction vacuum. Do not use abrasive chemicals or bleach as this may damage the product.

Checking and moving

Periodically, we recommend you check that the screws and fixtures haven't become loose over time. To move your bed frame, we recommend lifting it where possible, as dragging or pushing it could cause damage to the legs or flooring.

Fabric

Please note, depending on the lighting, positioning and surroundings of your room, the shade of the fabric will appear differently. Over a period of time, the fabric may also lighten or fade slightly due to light exposure.