

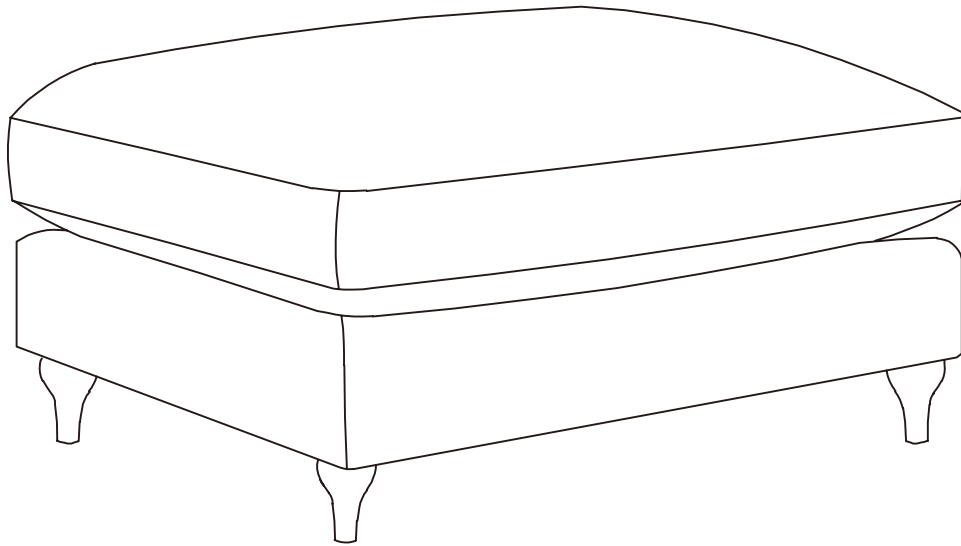
DUSK.COM

LIVING | BEDROOM | DINING

Hampshire Pouffe

Box dimensions: W94 x D74.5 x H36.5 (cm)

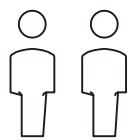
Product dimension: W92 x D72 x H45 (cm)



THIS INSTRUCTION BOOKLET CONTAINS IMPORTANT SAFETY INFORMATION.
PLEASE READ AND KEEP FOR FUTURE REFERENCE.



20 minutes approx
assembly time



Two adults
assembly required

This product is intended for domestic use only, not for commercial purposes.

P-1-4
V-2.0

IMPORTANT

ASSEMBLY TIP

Before you begin, it's best to identify all of the parts and fittings to build your pouffe frame. We advise laying these out on the floor to check you have everything, and to familiarise yourself with all of the parts and fittings before building.

TOP TIP

We recommend that you assemble the pouffe in the room you'd like it to be located. This will help prevent any risk of damage to the frame whilst moving it.

SAFETY AND CARE

It's important to ensure children and animals are kept away from the assembly area, as there are small components used in this product which could present a choking hazard. All plastic and wrapping materials should also be kept away from children and animals to prevent any risk of suffocation.

HELP AND SUPPORT

Please contact our customer service team on 0113 519 0311 if you have any questions or issues with your purchase.

RECYCLING

Please ensure that packaging is disposed of in a safe and environmentally friendly way, and recycle where possible. Please keep your assembly instructions safe to refer back to in the future.

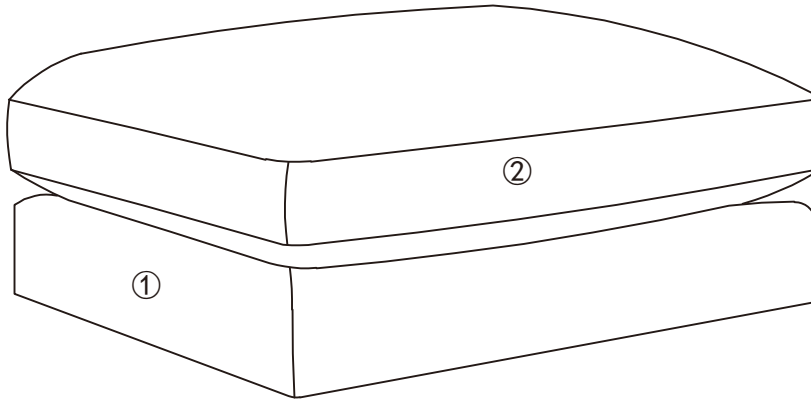
CARE AND MAINTENANCE

1. Clean with your vacuum curtain attachment (the one with a lint-catching fabric strip) or a lint roller to stop dust build up. Do this regularly to keep the pouffe in its best condition.
2. Regularly plump the backrest pillows by shaking and squeezing to even out the filling.
3. Try to keep your pouffe away from direct sunlight, and not too close to heat sources, as this can cause fading over time. Do not allow the pouffe to make direct contact with any radiators or sources of heat.
4. Wipe up the spillages as quickly as possible by gently dabbing or blotting with a dry cloth until the mark fades away. Some tougher spills, such as oil and grease, can be more persistent and leave a stain. In this case, it's best to contact a specialist cleaning service.
5. Do not drag the pouffe. When moving, lift the pouffe off the floor.
6. Keep children and pets away from the assembly area and any packaging, small parts could choke if swallowed.
7. Do not jump on the pouffe.
8. Only use the pouffe on a flat and level surface.
9. Dispose of all packaging carefully and responsibly - recycle where possible.
10. Avoid sharp items such as toys, jean rivets, buckles etc

Parts checklist

Please check you have all the parts listed below with your product:



Do not discard any of the packaging until you have checked that you have all the parts and the pack of fixings.



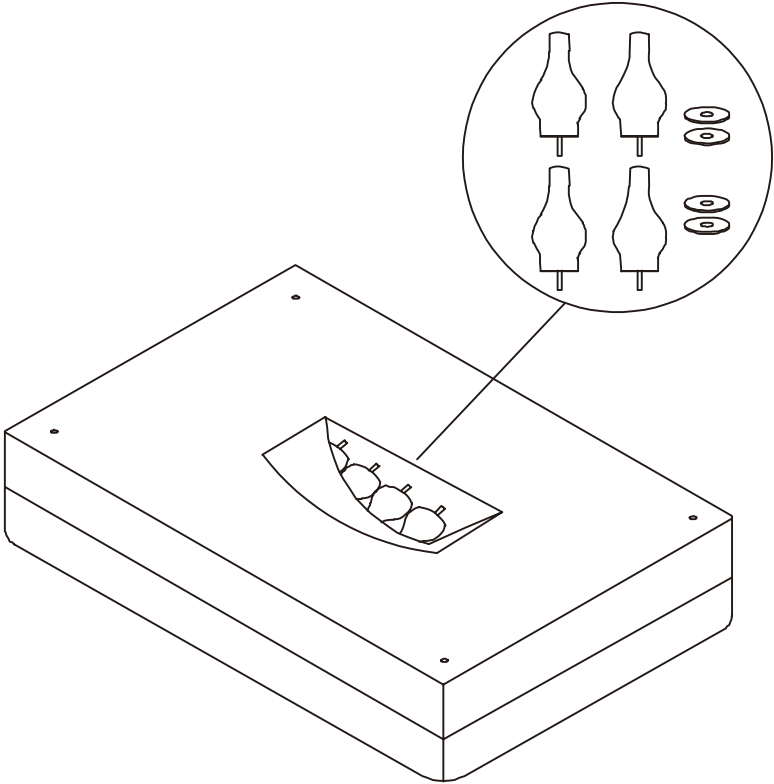
NO.	Parts List	QTY
1	Frame	1pc
2	Seat Cushion	1pc

Fittings checklist

Please check you have all the fittings listed below with your product:

A		B	
	Leg		Plastic washer
	4		4

Step 1 Unzip the black fabric on the underside of the pouffe to access the hardware.



Step 2 Fasten the legs to the bottom of the pouffe.

